



# GE Sensing

A COMMITMENT TO EXCELLENCE

GE Sensing, Crown Industrial Estate, Priorswood Road, Taunton, Somerset, TA2 8QY, UK  
Tel +44 (0) 1823 335200 Fax +44 (0) 1823 332637

<b>TEST SPECIFICATION</b>	PART No. <b>YS5675</b>	ISSUE: A
CUSTOMER: <b>Various</b>	DATE: <b>11<sup>th</sup> Octoberber, 2010</b>	QUANTITY:
Customer P/N:	ORIGINATOR: M.J.Roberts	PAGE 1 OF 1

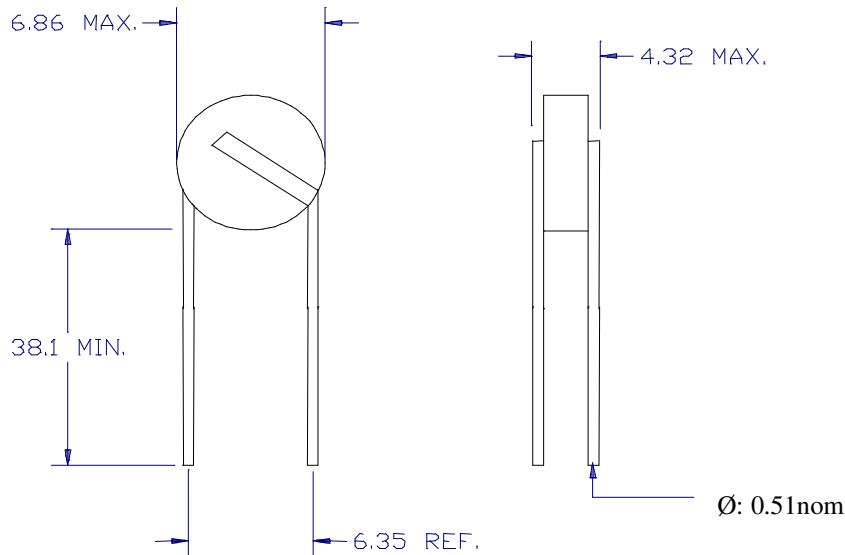
**DESCRIPTION:** PTC THERMISTOR INTENDED FOR USE AS A CURRENT LIMITING PROTECTION DEVICE

## MECHANICAL SPECIFICATION

**CONSTRUCTION:** BARE CERAMIC DISC WITH UNINSULATED LEADWIRES  
THICK FILM SILVER ELECTRODES

**TERMINATIONS:** TIN COATED COPPER WIRE

**DIMENSIONS** in mm NTS: SEE DRAWING BELOW.



## ELECTRICAL SPECIFICATION:

RESISTANCE AT 25°C, R <sub>25</sub> :	25Ω +/- 25%	(1)
SWITCHING TEMPERATURE, T <sub>b</sub> :	120°C +/-5°C	(2)
MAXIMUM CURRENT WITHOUT TRIPPING, T <sub>amb</sub> =70°C:	60mA	
MINIMUM TRIP CURRENT, T <sub>amb</sub> =20°C:.....	190mA	
NORMAL OPERATING VOLTAGE, V <sub>max</sub> :	50Vdc.	
BREAKDOWN VOLTAGE, V <sub>BD</sub> :	>75Vdc.	

## **NOTES:**

- (1) Measuring current: 5mA max.
- (2) Resistance = 2 × Resistance minimum

CHANGES SINCE LAST ISSUE: Δ							
Issue :	A						
Date :	11/10/10						