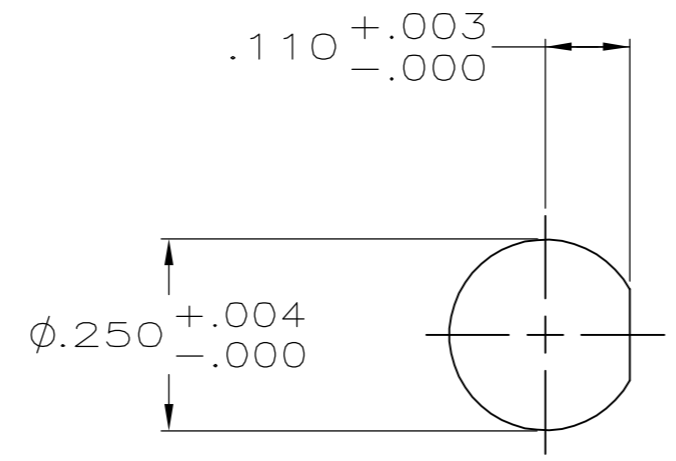
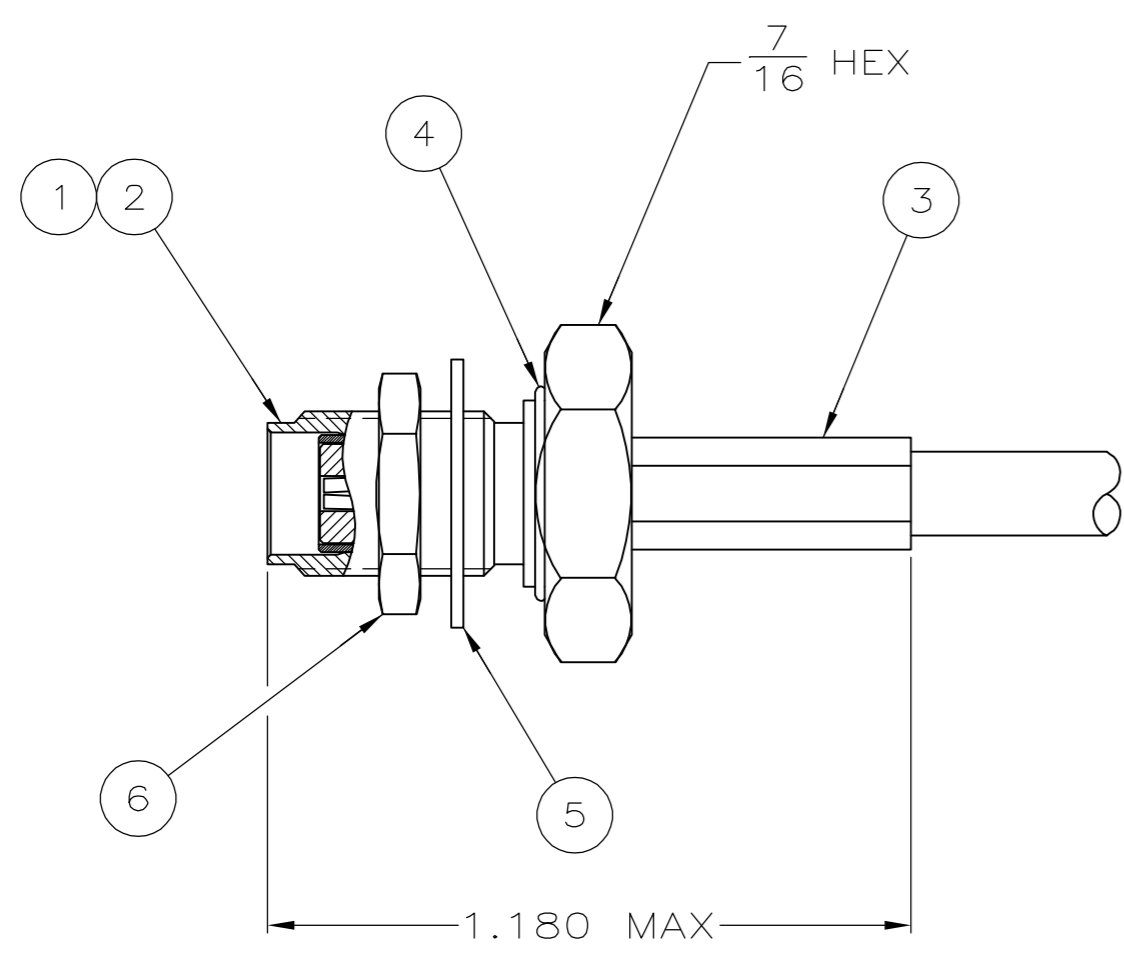


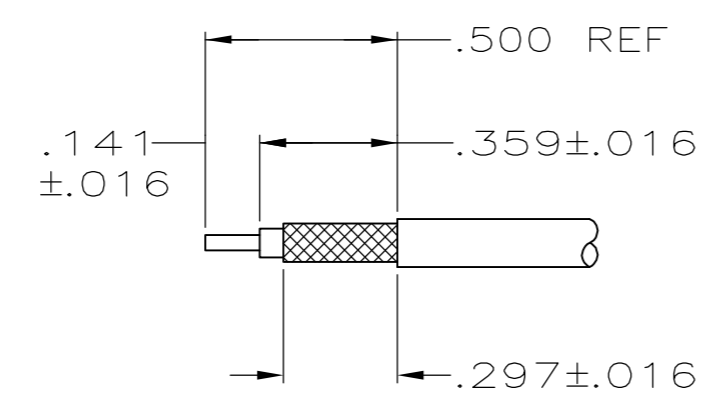
THIS DRAWING IS UNPUBLISHED. RELEASED FOR PUBLICATION  
 © COPYRIGHT BY TYCO ELECTRONICS CORPORATION. ALL RIGHTS RESERVED.

LOC	DIST	REVISIONS			
P	LTR	DESCRIPTION	DATE	DWN	APVD
AJ	16	0	REV PER EC-0S14-0496-04	01FEB2005	LV DC



RECOMMENDED  
PANEL CUTOUT

- ⚠ FOR USE WITH RG-174/U, 188/U, AND 316/U CABLE.
- ⚠ CENTER CONTACT: CRIMPING TOOL M22520/2-01  
POSITIONER, DMC K997  
SELECTOR SETTING, SEE TABLE
- ⚠ FERRULE: CRIMPING TOOL M22520/5-01  
DIE M22520/5-35 B OR .128X.400 HEX
- 4. PRODUCT MEETS PRODUCT SPECIFICATION 108-1574.
- 5. INSTRUCTION SHEET: 408-4032



RECOMMENDED STRIP LENGTH  
FOR  
CRIMPED CENTER CONTACT

⚠	4	⚠	⚠	2-332004-0	1-22145-3	1-22130-6	9-446556-1	447842-3	448105-2	5448103-2
FERRULE CRIMPING TOOL	SELECTOR SETTING	CENTER CONTACT CRIMPING TOOL	CABLE SIZE	⑥ JAM NUT QTY=1	⑤ LOCK-WASHER QTY=1	④ O-RING QTY=1	③ FERRULE QTY=1	② CONTACT QTY=1	① BULKHEAD JACK ASSY QTY=1	PART NUMBER

THIS DRAWING IS A CONTROLLED DOCUMENT.

DWN	L. VARELA - DOCK5	01FEB2005	Tyco Electronics Corporation Harrisburg, PA 17105-3608
CHK	J. HAVENER	01FEB2005	
APVD	D. CAMELIO	01FEB2005	
NAME	D. CAMELIO		
DIMENSIONS: INCHES			PRODUCT SPEC
TOLERANCES UNLESS OTHERWISE SPECIFIED:			APPLICATION SPEC
0 PLC ± -			SIZE
1 PLC ± -			CAGE CODE
2 PLC ± -			DRAWING NO
3 PLC ± -			RESTRICTED TO
4 PLC ± -			SCALE
ANGLES ± -			SHEET
FINISH			OF
MATERIAL			REV
WEIGHT			0
CUSTOMER DRAWING			

5448103