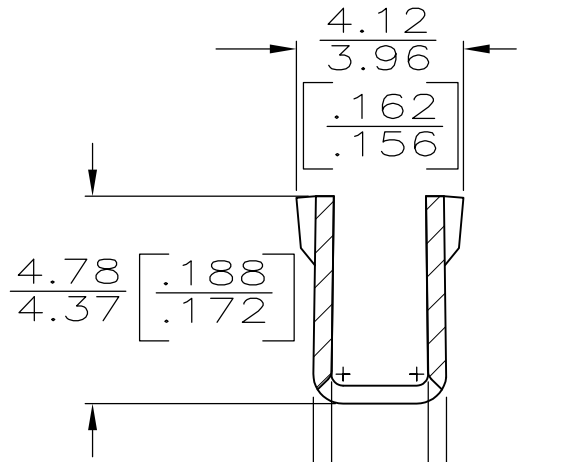
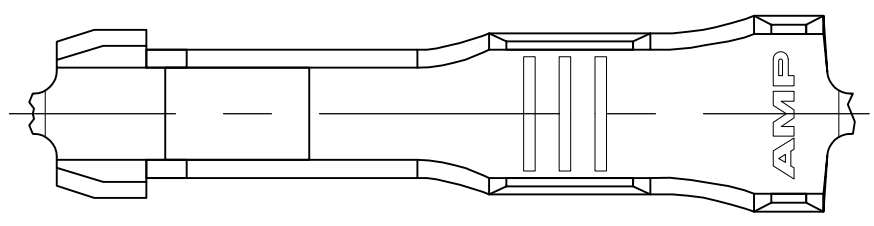
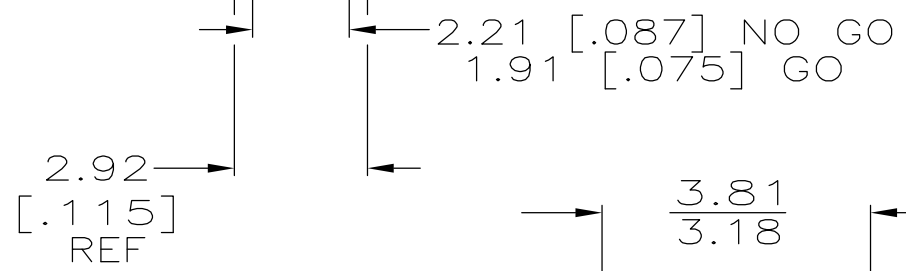
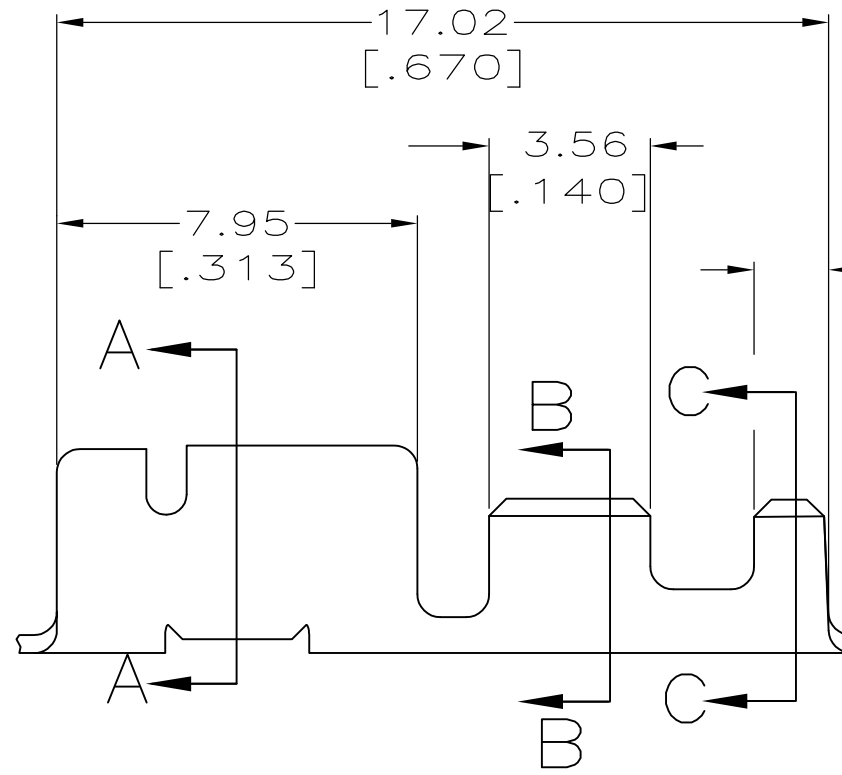


THIS DRAWING IS UNPUBLISHED. RELEASED FOR PUBLICATION
 © COPYRIGHT - By - ALL RIGHTS RESERVED.

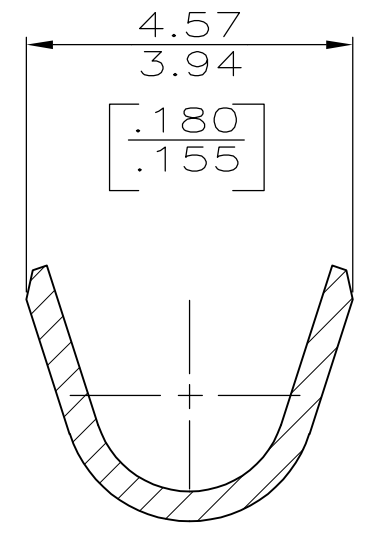
LOC	DIST	REVISIONS			
P	LTR	DESCRIPTION	DATE	DWN	APVD
AF	50	A	INITIAL RELEASE	18DEC2012	MKD RRP
		A1	ECR-14-009296	20JUN2014	MKD RRP



- 1 CONTINUOUS STRIP ON REEL.
- 2 WIRE SIZE IS 18-16 AWG
- 3 INSULATION RANGE IS 1.50-2.62 [.059-.103] DIA.
- △ 4 0.002032 [.000080] MIN TIN PL
- 5 RECOMMENDED HOUSING PART NUMBERS
235280-1, -4, -5
284406-1, -3



SECTION B-B
SCALE 10:1



SECTION C-C
SCALE 10:1

0.406±0.025
[.016±.001]

T3 PHOS BRONZE	△ 4	2178453-1
MATERIAL	FINISH	PART NO

THIS DRAWING IS A CONTROLLED DOCUMENT.	
DIMENSIONS: INCHES	TOLERANCES UNLESS OTHERWISE SPECIFIED:
	0 PLC ± -
	1 PLC ± -
	2 PLC ± 0.25 [.010]
	3 PLC ± -
	4 PLC ± -
	ANGLES ± -
MATERIAL SEE TABLE	FINISH SEE TABLE

DWN DHANESH 17DEC2012	TE Connectivity RECEPTACLE, CLUSTER PIN, 2.29 [.090] DIA	APVD RAJENDRA 18DEC2012	NAME	
CHK RAJENDRA		PRODUCT SPEC		
APVD RAJENDRA 18DEC2012		APPLICATION SPEC		
WEIGHT -		SIZE A3	CAGE CODE -	DRAWING NO C-2178453
CUSTOMER DRAWING		SCALE 6:1	SHEET 1 OF 1	REV A1