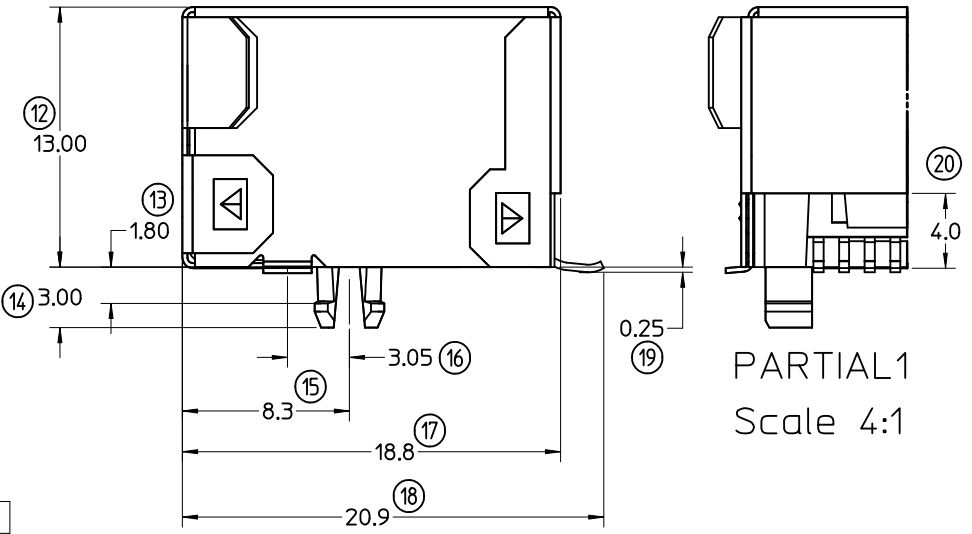
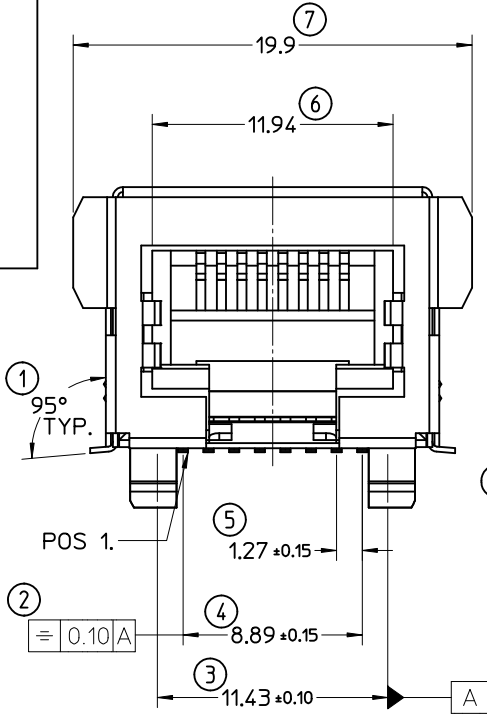
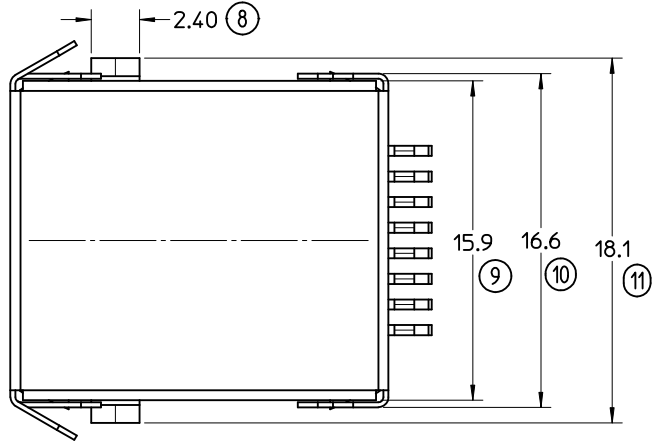


PART No.	
95622-4882	



- NOTES:
1- JACK FOR MATING WITH SHIELDED PLUG (MOLEX 95043 AND 85568 SERIES)
2- PRODUCT SPECIFICATION: PS-95622-001
3- PACKAGING SPECIFICATION: PK-95122 SHEET 2 (BLISTER ON REEL)
4- P.C.B THICKNESS: 1.57
21 5- COPLANARITY OF SIGNAL LEADS: 0.10 MAX

LAST INSPECTION No: 21

TECHNICAL SPECIFICATIONS:

MATERIAL:
HOUSING: LCP GLASS FILLED UL 94V-0
COLOUR BLACK
TERMINAL: COPPER ALLOY PLATED WITH:
BASE FINISH: NICKEL
CONTACT SURFACE FINISH:
GOLD
OR
GOLD FLASH OVER PALLADIUM NICKEL.
EXCEEDS PRODUCT REQUIREMENTS BASED ON PS-95622-001
SHIELD: COPPER ALLOY PLATED WITH TIN.

REMOVE OPTION EC NO: IPG2012-0746 DRWING: DBYRNES 2012/04/17 CHKD: APPR: EFOLAN 2012/06/26	QUALITY SYMBOLS	GENERAL TOLERANCES (UNLESS SPECIFIED)		DIMENSION STYLE	SCALE	DESIGN UNITS	THIRD ANGLE PROJECTION
	▽=0 ∇=0	mm	INCH	MM ONLY	4:1	METRIC	
		4 PLACES ± --- ± ---	3 PLACES ± --- ± ---	DRAWN BY	DATE	TITLE	
		2 PLACES ± 0.25 ± ---	1 PLACE ± 0.35 ± ---	DBYRNES	2006/07/27	FULLY SHIELDED SMT R/A MODULAR JACKS 8 CKT	
	ANGULAR ± 2 °	DRAFT WHERE APPLICABLE MUST REMAIN WITHIN DIMENSIONS		CHECKED BY	DATE	MOLEX INCORPORATED	
				EOMAHONY	2006/07/28	DOCUMENT NO. SD-95622-005	
				APPROVED BY	DATE	SHEET NO. 1 OF 1	
				EOMAHONY	2006/07/28	THIS DRAWING CONTAINS INFORMATION THAT IS PROPRIETARY TO MOLEX INCORPORATED AND SHOULD NOT BE USED WITHOUT WRITTEN PERMISSION	
				MATERIAL NO.			
				SIZE			
				A3			