

**MATERIALS AND FINISHES:**

BODY, CRIMP TUBE: BRASS  
PLATED: GOLD (SEE TABLE)

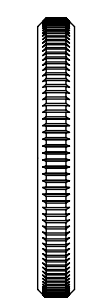
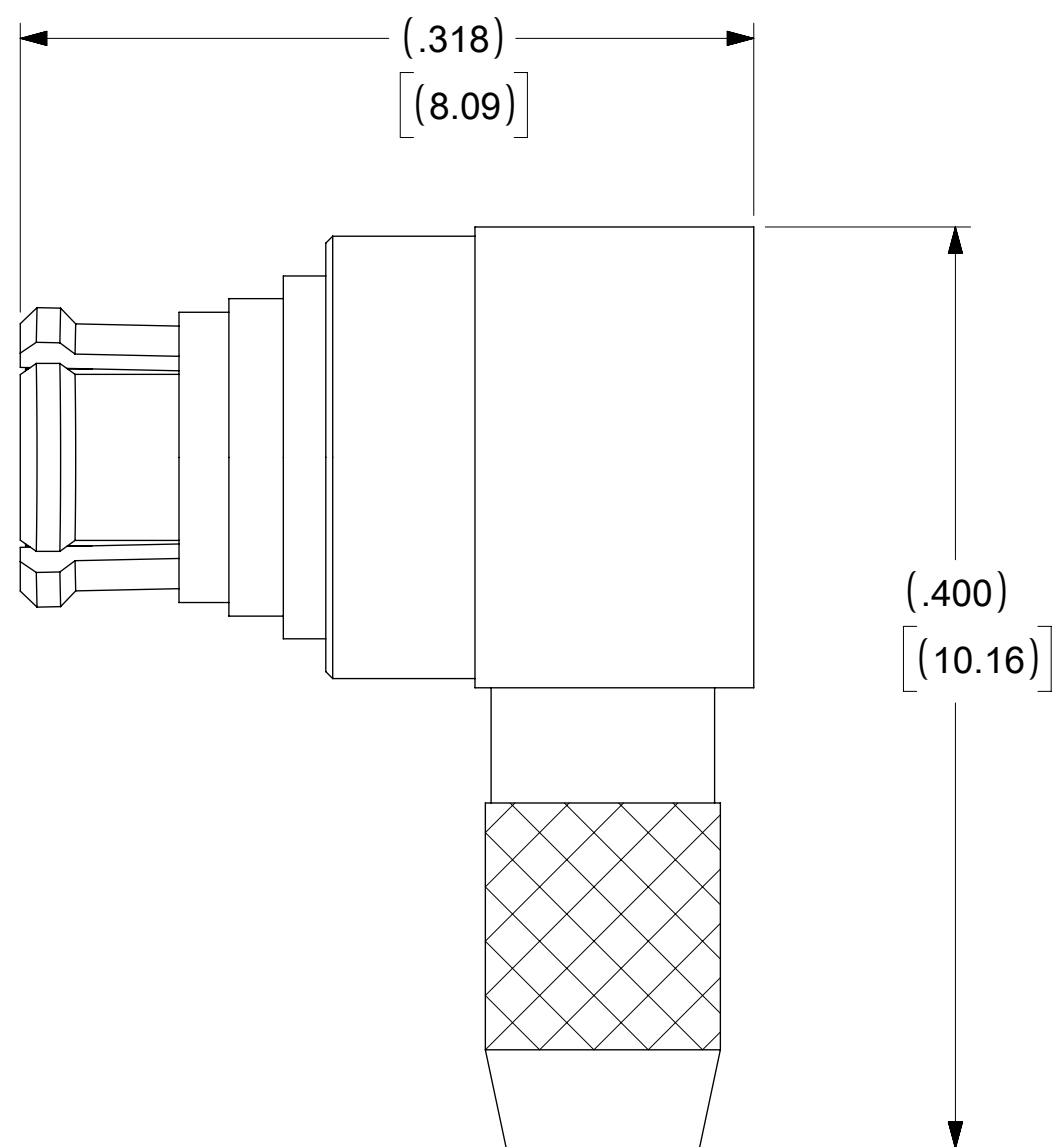
CONTACT, OUTER CONTACT: BERYLLIUM COPPER  
PLATED: GOLD (SEE TABLE)

INSULATOR: PTFE

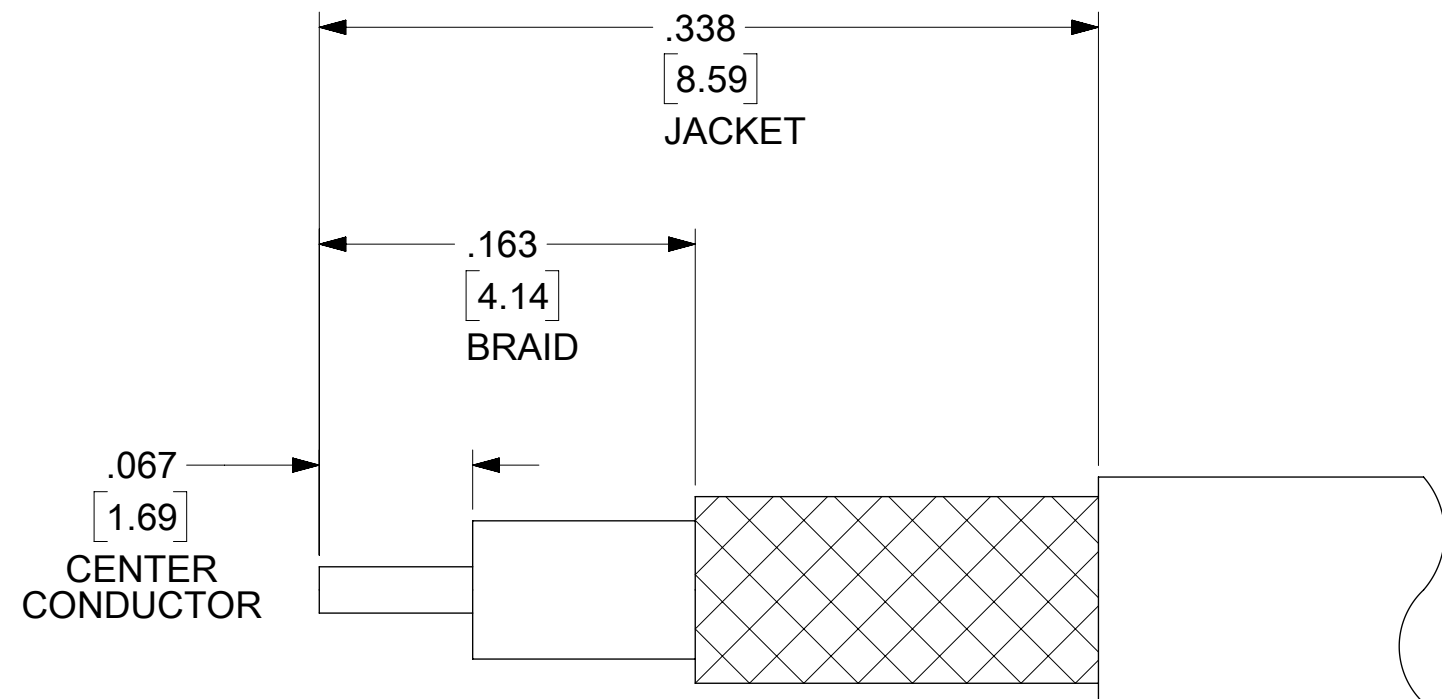
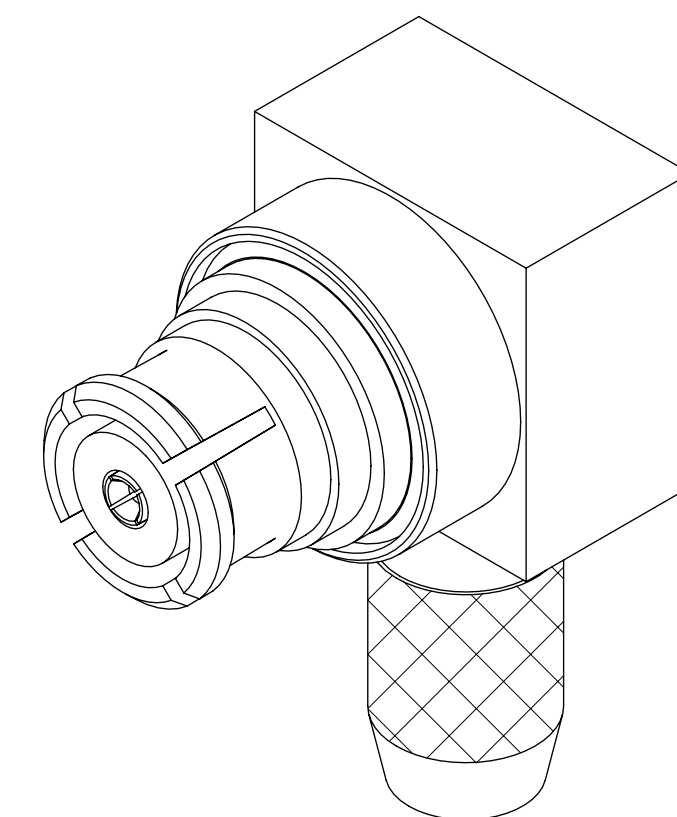
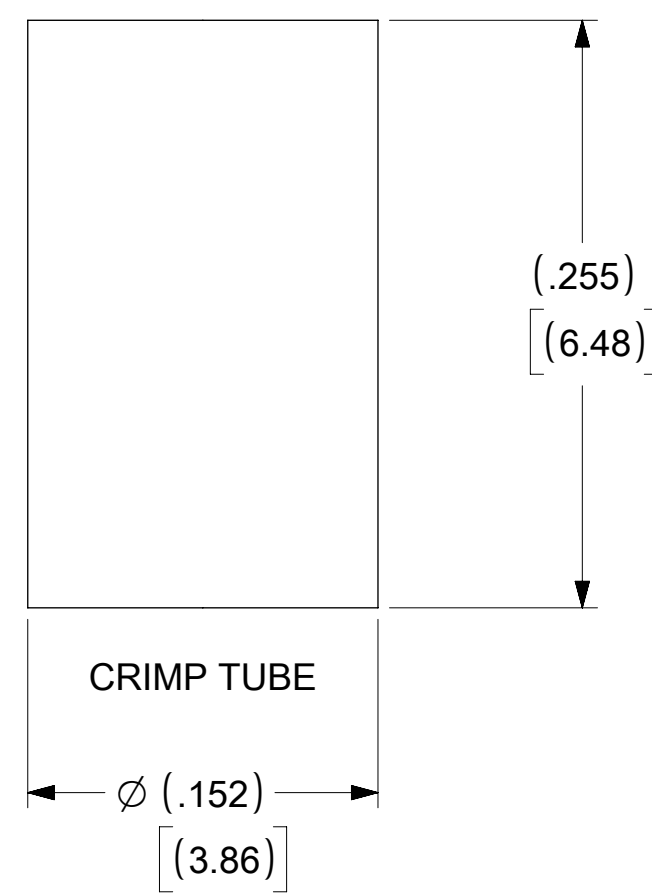
EMI RING, CAP: BRASS  
PLATED: GOLD (SEE TABLE)

CRIMP USING .128 HEX DIE

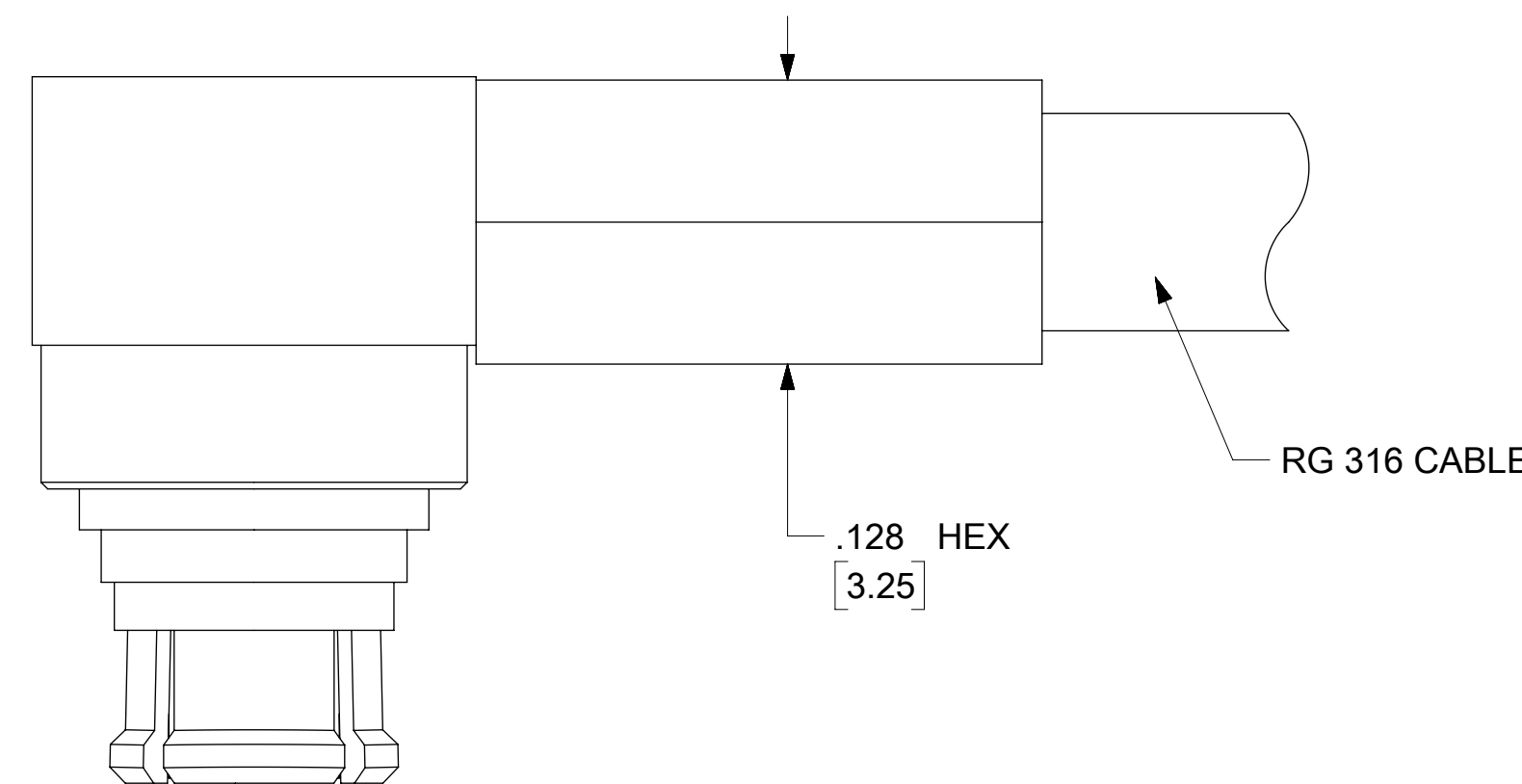
MAX OPERATING FREQUENCY - 26.5GHz



CAP



RECOMMENDED STRIP DIMENSIONS



SMP JACK INTERFACE

**LABEL FORMAT FOR 0734155031:**  
PART NUMBER: 0734155030  
ORDER NUMBER: 0734155031  
MOLEX  
DATE: YYWW

**LABEL FORMAT FOR 0734155035:**  
PART NUMBER: 0734155034  
ORDER NUMBER: 0734155035  
MOLEX  
DATE: YYWW

0734155035	0734155034 ONE BAG	895420470
0734155034	0734155033 W/GOLD FLASH BODY / STANDARD TRAY	895420040
0734155033	GOLD 8μ-in MIN / STANDARD TRAY (80 CAV.)	895420040
0734155032	0734155030 / SMALL TRAY (20 CAV.)	895420060
0734155031	0734155030 X 1 WITH LABEL PER BAG	895420088
0734155030	GOLD 10μ-in MIN / STANDARD TRAY (80 CAV.)	895420040
PART NO.	DESCRIPTION	PACKING SPEC.

MIL-STD-348, FIG. 326.1	INTERFACE			
SPECIFICATION	DESCRIPTION			
DOCUMENT STATUS	P1	RELEASE DATE	2022/08/30	02:55:00

FUNCTIONAL SYMBOLS $F_A = 0$ $F_C = 0$ $F_D = 0$ DIVISIONAL SYMBOLS	THIS DRAWING CONTAINS INFORMATION THAT IS PROPRIETARY TO MOLEX ELECTRONIC TECHNOLOGIES, LLC AND SHOULD NOT BE USED WITHOUT WRITTEN PERMISSION		CURRENT REV DESC: ADD 73415-5035 PER EWR# 15321-C		
	DIMENSION UNITS	SCALE	<b>molex</b>  SMP JACK R/A FOR RG316 CABLE 50? SMP-JC/RA, EWR-2492		
	IN/MM	NTS			
	GENERAL TOLERANCES (UNLESS SPECIFIED)		EC NO: 718723		
		MM	INCH	DRWN: ELIN	2022/08/23
4 PLACES	±	±	CHK'D: YCHENG	2022/08/30	
3 PLACES	±	±	APPR: YCHENG	2022/08/30	
2 PLACES	±	±	INITIAL REVISION:		
1 PLACE	±	±	DRWN: TEF		
0 PLACES	±	±	APPR: GMH	2004/06/10	
ANGULAR TOL ± °		THIRD ANGLE PROJECTION			
DRAFT WHERE APPLICABLE MUST REMAIN WITHIN DIMENSIONS		DRAWING	SERIES	MATERIAL NUMBER	
		C-SIZE	73415	SEE TABLE	
		CUSTOMER	SHEET NUMBER		
			1 OF 1		