

# CBB 04 2X2RC-PT - Potential distributors



2905238

<https://www.phoenixcontact.com/us/products/2905238>

Please be informed that the data shown in this PDF document is generated from our online catalog. Please find the complete data in the user documentation. Our general terms of use for downloads are valid.



Device circuit breaker boards for four thermomagnetic (CB TM1...) or electronic (CB E1... NO) circuit breakers with group remote signaling, central supply, connection for relay contacts, and potential distribution for up to four loads per channel.

## Your advantages

- Reduced installation work with a combination of slots for protective modules and potential distributors
- Space savings of up to 35% thanks to compact design
- The system operating state is always available at a glance with integrated group remote signaling
- Up to 4 loads can be protected simultaneously with the additional terminal points

## Commercial data

|                                      |                     |
|--------------------------------------|---------------------|
| Item number                          | 2905238             |
| Packing unit                         | 1 pc                |
| Minimum order quantity               | 1 pc                |
| Sales key                            | CL04                |
| Product key                          | CLA211              |
| Catalog page                         | Page 259 (C-6-2015) |
| GTIN                                 | 4046356935388       |
| Weight per piece (including packing) | 330.1 g             |
| Weight per piece (excluding packing) | 264.81 g            |
| Customs tariff number                | 85363090            |
| Country of origin                    | DE                  |

## Technical data

### Product properties

|                     |   |
|---------------------|---|
| Type                | DIN rail module, two-section, divisible |
| Product type        | Device circuit breaker board            |
| Number of positions | 1                                       |
| No. of channels     | 4                                       |

### Insulation characteristics

|                      |     |
|----------------------|-----|
| Protection class     | III |
| Overvoltage category | II  |
| Degree of pollution  | 2   |

### Electrical properties

|   |                              |
|---|------------------------------|
| No. of channels                         | 4                            |
| Maximum load current                    | 48 A (Complete main circuit) |
| Maximum current with single arrangement | 12 A (per channel)           |

### General

|                             |   |
|-----------------------------|---|
| Rated surge voltage         | 0.5 kV  |
| Short circuit stability     | 600 A (conditional according to DIN EN 50178) |
| Power dissipation           | 4.1 W (without circuit breaker)               |
| Insertion/withdrawal cycles | 50  |

### Main circuit

|                     |  |
|---------------------|--|
| Rated voltage       | 24 V DC                                  |
| Rated current $I_N$ | 48 A DC (total)<br>12 A DC (per channel) |

### Remote indication circuit

|                     |          |
|---------------------|----------|
| Rated voltage       | 24 V DC  |
| Rated current $I_N$ | 0.5 A DC |

### Connection data

|                      |                              |
|----------------------|------------------------------|
| Maximum load current | 48 A (Complete main circuit) |
|----------------------|------------------------------|

### Supply X21

|   |   |
|---|---|
| Connection method   | Push-in connection                          |
| Stripping length  | 18 mm                                       |
| Conductor cross section rigid   | 0.75 mm <sup>2</sup> ... 16 mm <sup>2</sup> |
| Conductor cross section AWG   | 20 ... 4                                    |
| Conductor cross section, flexible, with ferrule, with plastic sleeve  | 0.75 mm <sup>2</sup> ... 10 mm <sup>2</sup> |
| Conductor cross section flexible, with ferrule without plastic sleeve | 0.75 mm <sup>2</sup> ... 16 mm <sup>2</sup> |

### Outputs X1 ... X4

# CBB 04 2X2RC-PT - Potential distributors

2905238

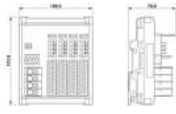
<https://www.phoenixcontact.com/us/products/2905238>

|   |  |
|---|--|
| Connection method   | Push-in connection                           |
| Stripping length  | 10 mm  |
| Conductor cross section rigid   | 0.2 mm <sup>2</sup> ... 4 mm <sup>2</sup>    |
| Conductor cross section AWG   | 24 ... 12                                    |
| Conductor cross section, flexible, with ferrule, with plastic sleeve  | 0.25 mm <sup>2</sup> ... 1.5 mm <sup>2</sup> |
| Conductor cross section flexible, with ferrule without plastic sleeve | 0.25 mm <sup>2</sup> ... 2.5 mm <sup>2</sup> |

## Remote signaling X31

|   |  |
|---|--|
| Connection method   | Push-in connection                           |
| Stripping length  | 10 mm  |
| Conductor cross section rigid   | 0.2 mm <sup>2</sup> ... 4 mm <sup>2</sup>    |
| Conductor cross section AWG   | 24 ... 12                                    |
| Conductor cross section, flexible, with ferrule, with plastic sleeve  | 0.25 mm <sup>2</sup> ... 1.5 mm <sup>2</sup> |
| Conductor cross section flexible, with ferrule without plastic sleeve | 0.25 mm <sup>2</sup> ... 2.5 mm <sup>2</sup> |

## Dimensions

|                     |  |
|---------------------|--|
| Dimensional drawing |  |
| Width               | 108.5 mm   |
| Height              | 127.8 mm   |
| Depth               | 70.8 mm  |

## Material specifications

|  |                |
|--|----------------|
| Material                               | PA 6<br>FR4-21 |
| Flammability rating according to UL 94 | V0             |
| Housing material                       | PA 6           |

## Mechanical properties

### Mechanical data

|                 |    |
|-----------------|----|
| Open side panel | No |
|-----------------|----|

## Environmental and real-life conditions

### Ambient conditions

|   |   |
|---|---|
| Degree of protection                    | IP20 (Terminal blocks and fuse holders)<br>IP00 (PCB) |
| Ambient conditions                      | A, B  |
| Ambient temperature (operation)         | -30 °C ... 60 °C                                      |
| Ambient temperature (storage/transport) | -30 °C ... 80 °C                                      |
| Humidity test                           | 96 h, 93 % RH, 40 °C                                  |

# CBB 04 2X2RC-PT - Potential distributors



2905238

<https://www.phoenixcontact.com/us/products/2905238>

## Standards and regulations

|                          |                               |
|--------------------------|-------------------------------|
| Standards/specifications | DIN EN 50178                  |
| Note                     | 1997                          |
| Standards/specifications | DIN EN 61000-6-2:2005         |
| Standards/specifications | DIN EN 61000-6-3:2007+A1:2011 |
| Standards/specifications | DIN EN 60068-2-6              |

## Mounting

|                   |                 |
|-------------------|-----------------|
| Mounting type     | DIN rail: 35 mm |
| Mounting position | horizontal      |

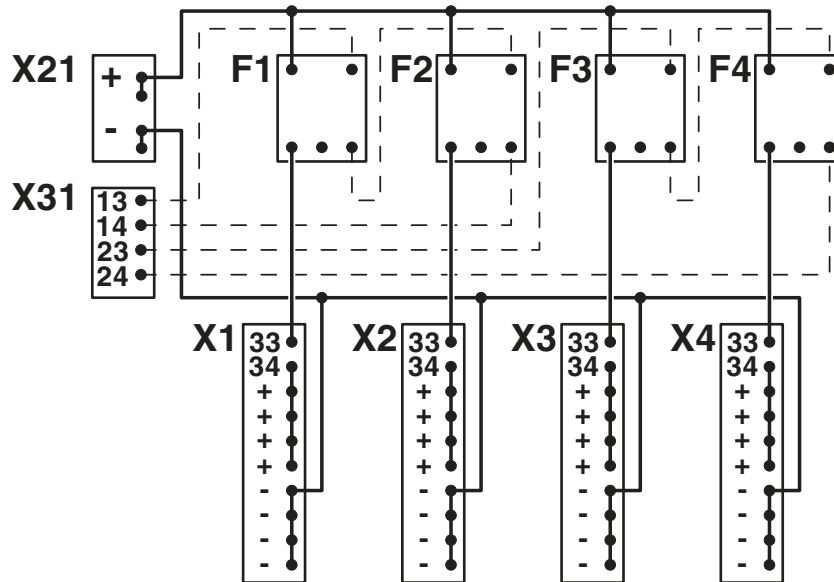
# CBB 04 2X2RC-PT - Potential distributors

2905238

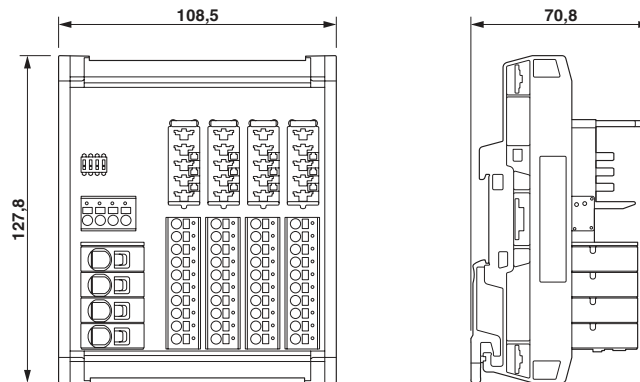
<https://www.phoenixcontact.com/us/products/2905238>

## Drawings

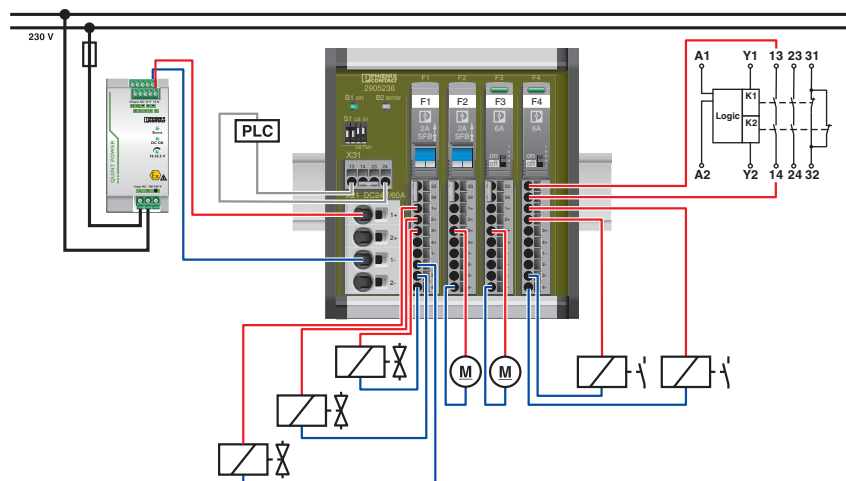
Circuit diagram



Dimensional drawing



Application drawing



# CBB 04 2X2RC-PT - Potential distributors



2905238

<https://www.phoenixcontact.com/us/products/2905238>

## Approvals

To download certificates, visit the product detail page: <https://www.phoenixcontact.com/us/products/2905238>



**EAC**

Approval ID: RU C-DE.\*09.B.00169

# CBB 04 2X2RC-PT - Potential distributors



2905238

<https://www.phoenixcontact.com/us/products/2905238>

## Classifications

### ECLASS

|             |          |
|-------------|----------|
| ECLASS-11.0 | 27141116 |
| ECLASS-12.0 | 27141116 |
| ECLASS-13.0 | 27250113 |

### ETIM

|          |          |
|----------|----------|
| ETIM 8.0 | EC000899 |
|----------|----------|

### UNSPSC

|             |          |
|-------------|----------|
| UNSPSC 21.0 | 39121400 |
|-------------|----------|

# CBB 04 2X2RC-PT - Potential distributors



2905238

<https://www.phoenixcontact.com/us/products/2905238>

## Environmental product compliance

|            |  |
|------------|--|
| REACH SVHC | Lead 7439-92-1   |
| China RoHS | Environmentally Friendly Use Period = 50 years   |
|            | For information on hazardous substances, refer to the manufacturer's declaration available under "Downloads" |

Phoenix Contact 2023 © - all rights reserved

<https://www.phoenixcontact.com>

Phoenix Contact USA  
586 Fulling Mill Road  
Middletown, PA 17057, United States  
(+717) 944-1300  
[info@phoenixcon.com](mailto:info@phoenixcon.com)