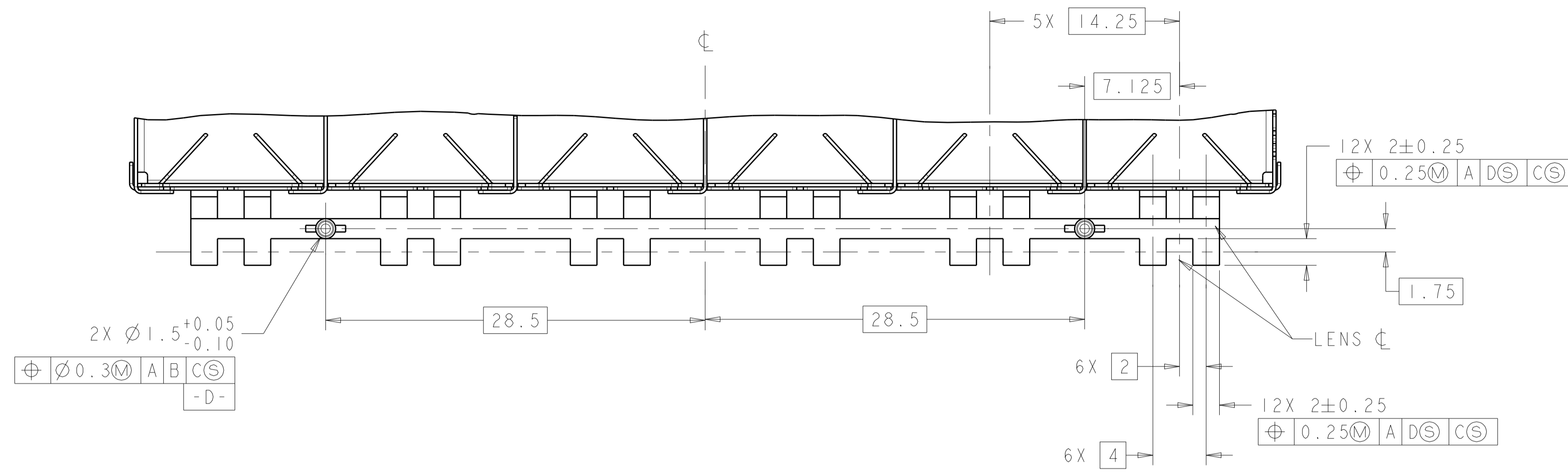
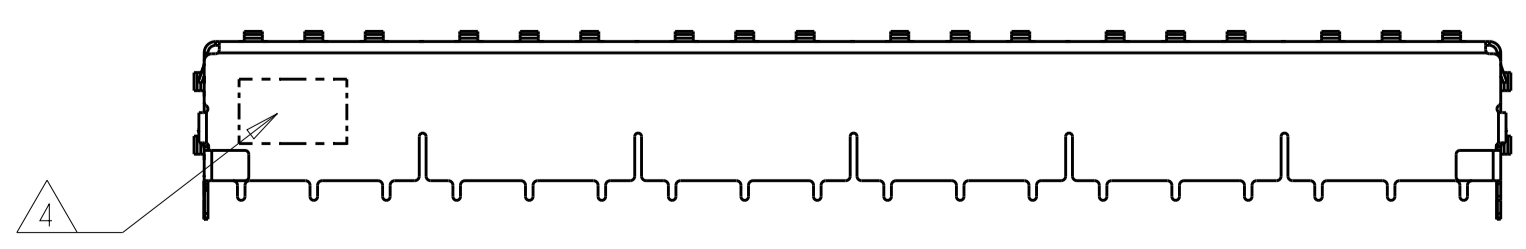
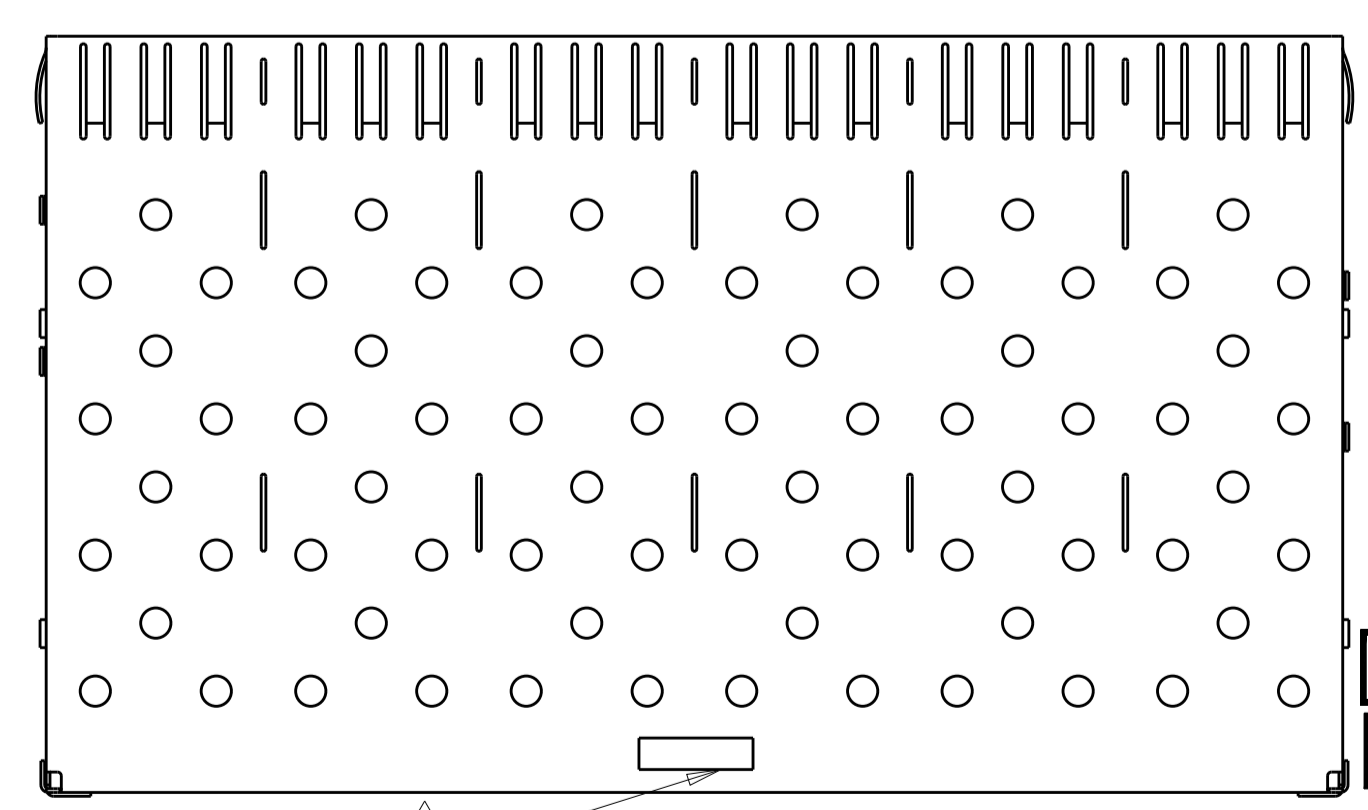
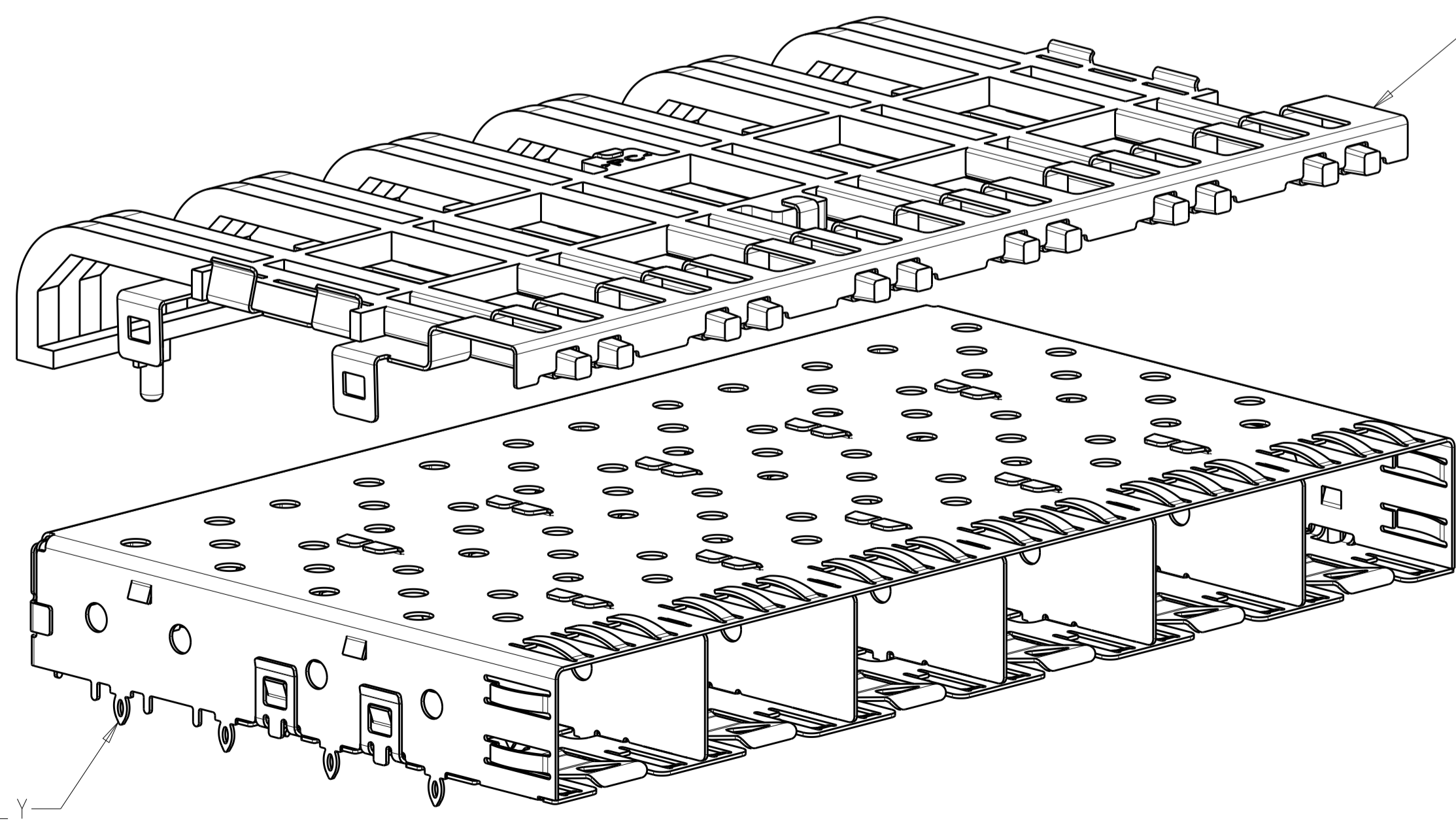
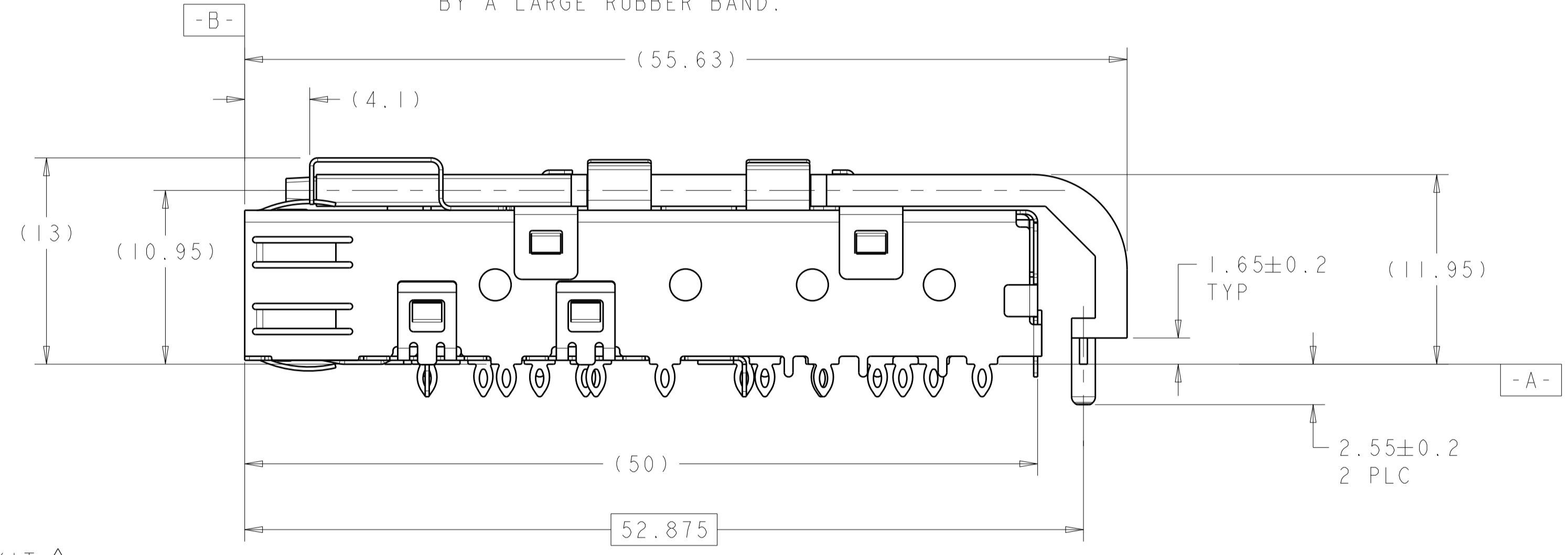
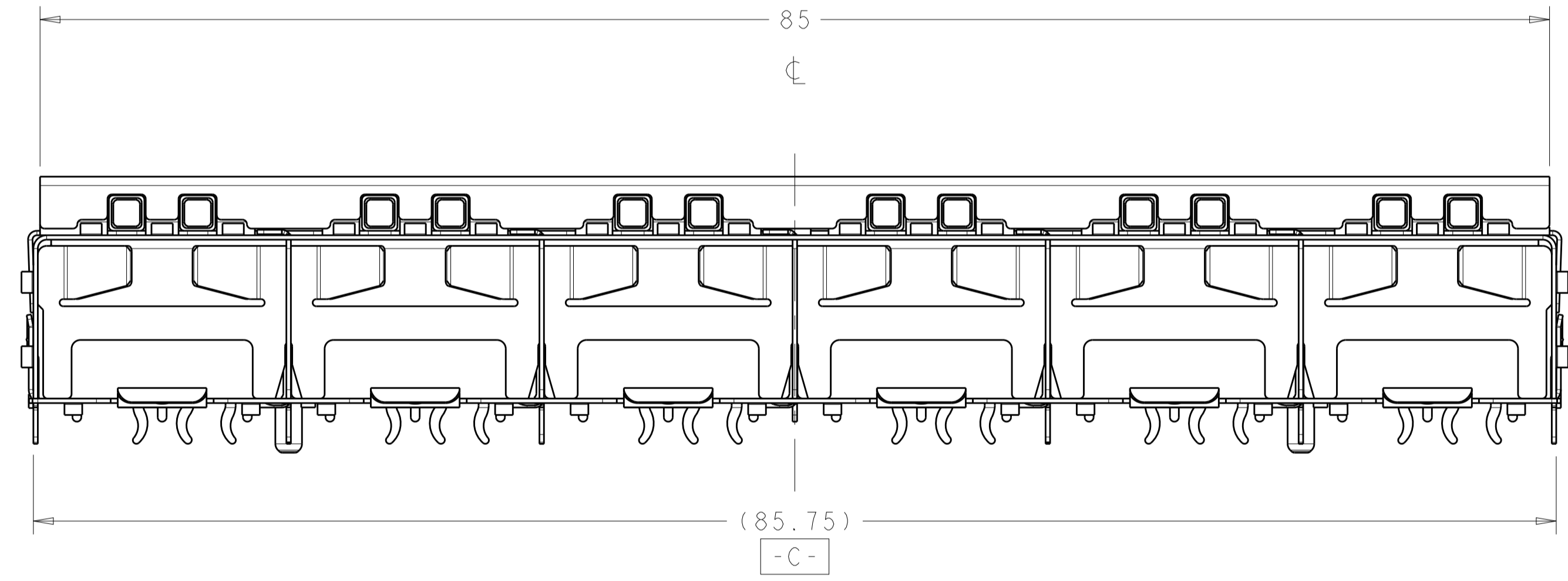


LOC	DIST	REVISIONS					
GP	00	P	LTN	DESCRIPTION	DATE	DWN	APVD
		E1		REVISED PER ECO-11-007052	06APR2011	JY	CW
		F		REVISED PER ECO-14-000886	20FEB2014	JW	SH
		F1		REVISED PER ECO-14-010419	11JUL2014	JW	SH
		G		REVISED PER ECO-15-013594	22SEP2015	JW	SH



- △ PADS AND VIAS CHASSIS GROUND
- △ DATUM AND BASIC DIMENSIONS ESTABLISHED BY CUSTOMER.
- △ LIGHT PIPE KIT WHICH IS SEPARATE FROM CAGE ASSEMBLY, KIT TO BE ATTACHED AFTER SEATING OF 1761015-1 ON PC BOARD.
- △ DATE CODE AND PART NUMBER IN APPROXIMATE AREA SHOWN LABEL ON CAGE ASSEMBLY WILL HAVE PART NUMBER 1761015-1 OR -3.
- 5. REFERENCE STYLE 1 ON APPLICATION SPECIFICATION 114-13165 FOR ADDITIONAL INFORMATION ON CAGE ASSEMBLIES WITH LIGHT PIPES.
- △ REFERENCE APPLICATION SPEC 114-13120, HOLE A, FOR RECOMMENDED DRILL HOLES DIAMETER AND PLATING THICKNESSES.
- △ REFERENCE APPLICATION SPEC 114-13120, HOLE B, FOR RECOMMENDED DRILL HOLES DIAMETER AND PLATING THICKNESSES.
- △ PATTERN REPEATS FOR EACH PORT. SPACING BETWEEN PORTS IS 14.25mm.
- △ MINIMUM PC BOARD THICKNESS = 1.50mm.
- △ COMPANY LOGO IN APPROXIMATE AREA SHOWN
- △ BOX WILL CONTAIN TRAYS OF CAGES AND TRAYS OF LIGHT PIPE ASSEMBLIES.
- △ BOX WILL CONTAIN TRAYS OF CAGES AND TRAYS OF LIGHT PIPE ASSEMBLIES. ONE TRAY OF CAGE AND ONE TRAY OF LIGHT PIPE ASSEMBLIES WILL BE HELD BY A LARGE RUBBER BAND.



SUPERSEDED BY:
1658939-4

SUPERSEDED BY:
1658939-3

LIGHT PIPE KIT	CAGE ASSEMBLY	PACKAGE	POSITION	PART NUMBER
1761013-3	1751015-3	△2	1X6 ASSEMBLY	1658939-4
1761013-3	1751015-3	△1	1X6 ASSEMBLY	1658939-3
1761013-1	1751015-1	△2	1X6 ASSEMBLY	1658939-2
1761013-1	1751015-1	△1	1X6 ASSEMBLY	1658939-1

THIS DRAWING IS A CONTROLLED DOCUMENT.

DIMENSIONS: mm

TOLERANCES UNLESS OTHERWISE SPECIFIED:

0 PLC	±0.1
1 PLC	±0.1
2 PLC	±0.10
3 PLC	±0.100
4 PLC	±0.100
ANGLES	±0.1°
FINISH	±0.1

MATERIAL: -

Customer Drawing

DWN: M.E. CONNER 21NOV2003
 CHK: M.J. PHILLIPS 21NOV2003
 APVD: M.J. PHILLIPS 21NOV2003

PRODUCT SPEC: 108-1950
 APPLICATION SPEC: 114-13120

WEIGHT: -

Customer Drawing

STE TE Connectivity

NAME: SFP
 1X6 CAGE ASSEMBLY WITH LIGHT PIPE

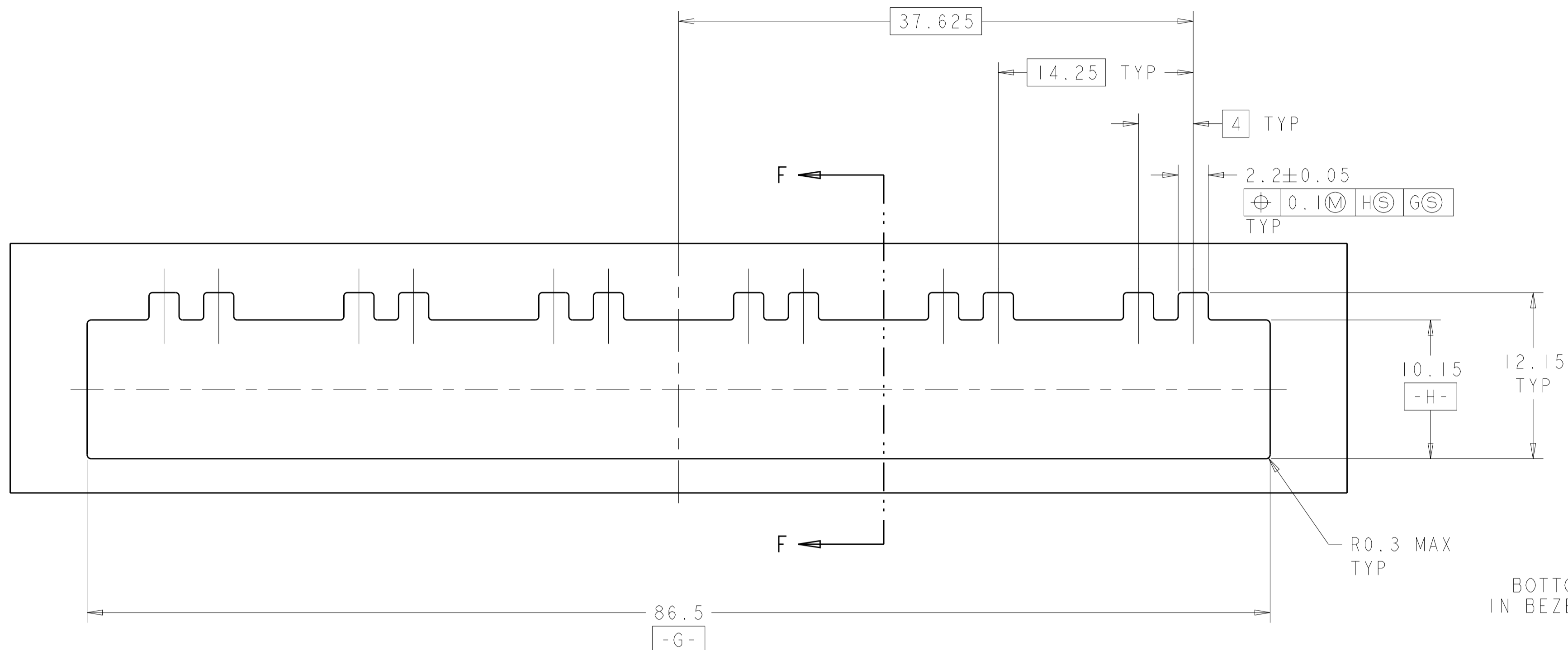
SIZE: A1
 CAGE CODE: 100779
 DRAWING NO: 1658939

RESTRICTED TO: -

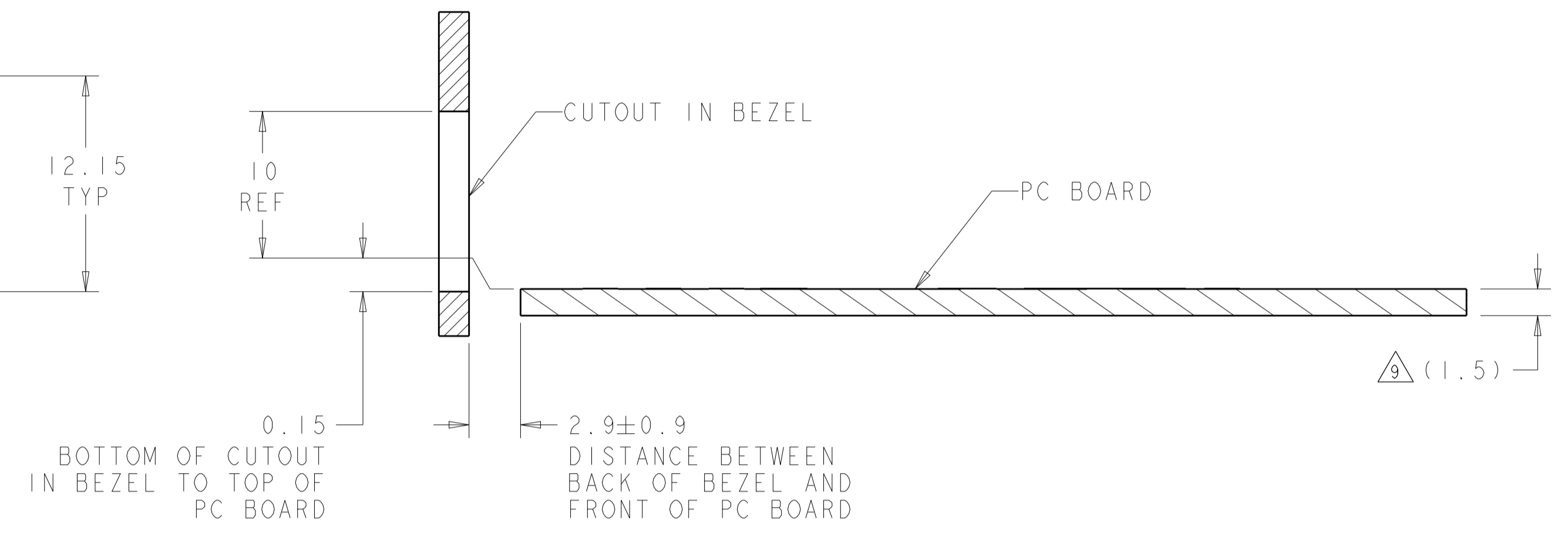
SCALE: 4:1 SHEET 1 OF 3 REV G

1658939-1, -2, -3, -4
 SCALE 3:1

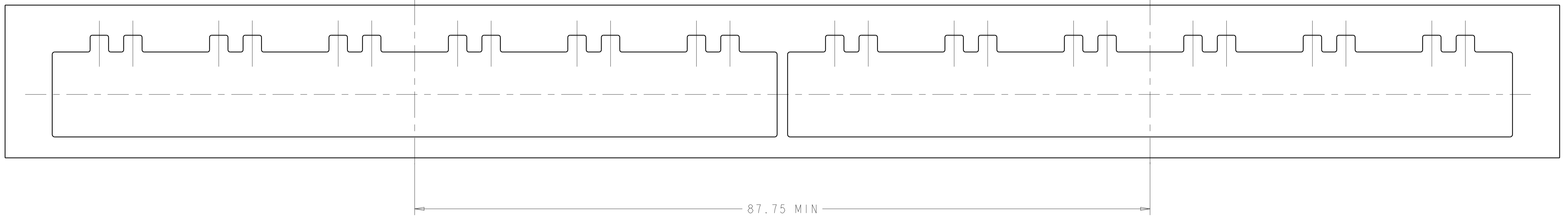
LOC	DIST	REVISIONS			
P	LYR	DESCRIPTION	DATE	DWN	APVD
GP	00	SEE SHEET 1	-	-	-



RECOMMENDED BEZEL CUTOUT



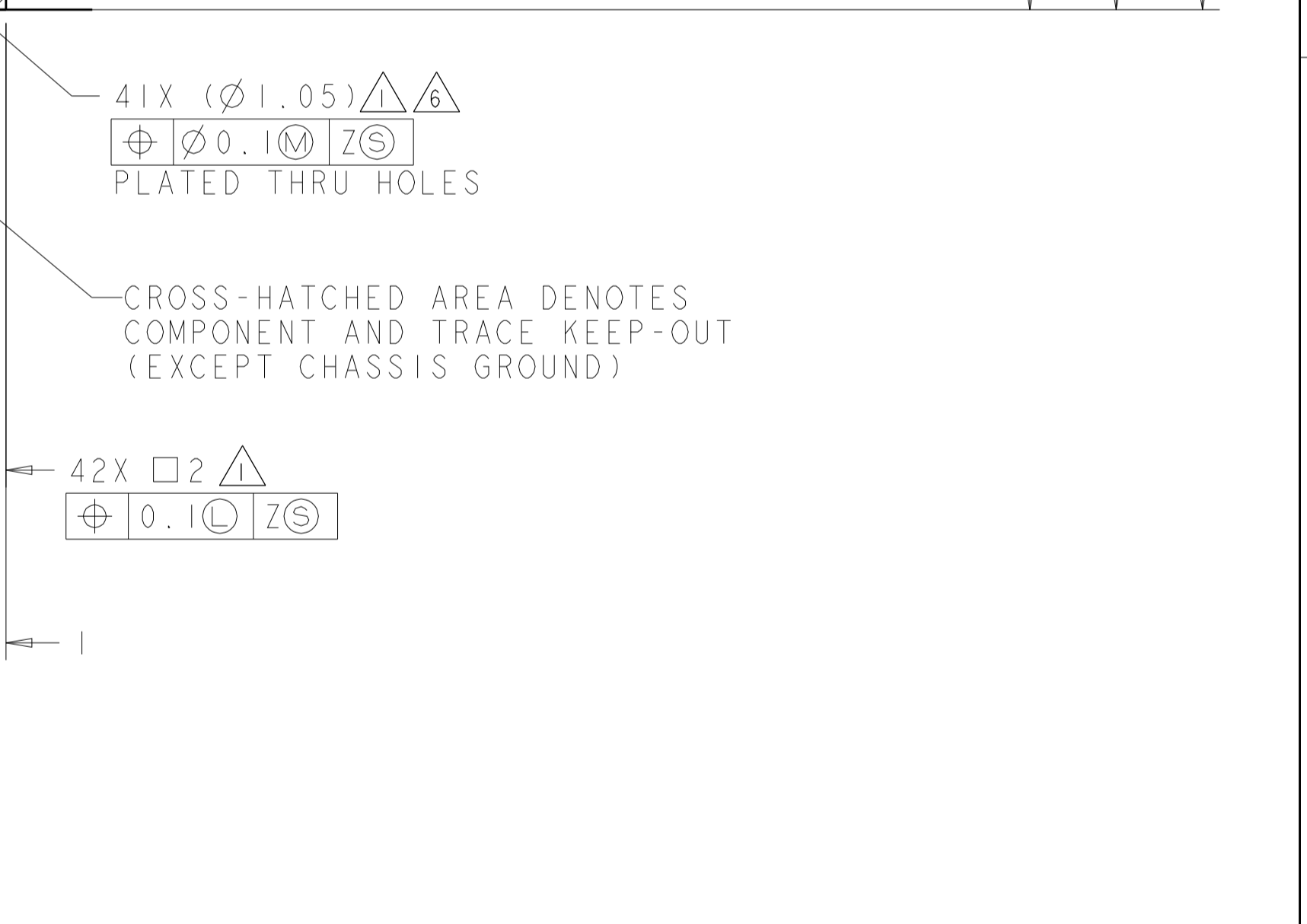
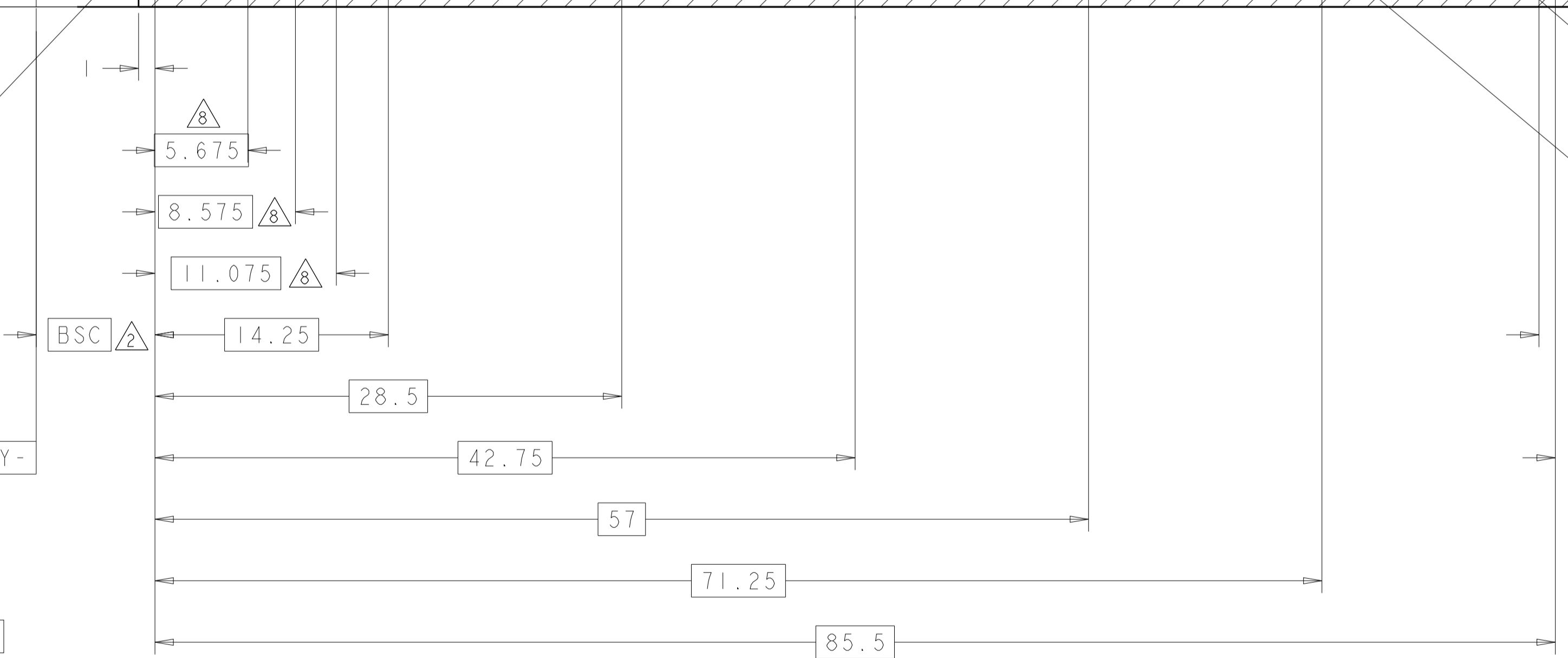
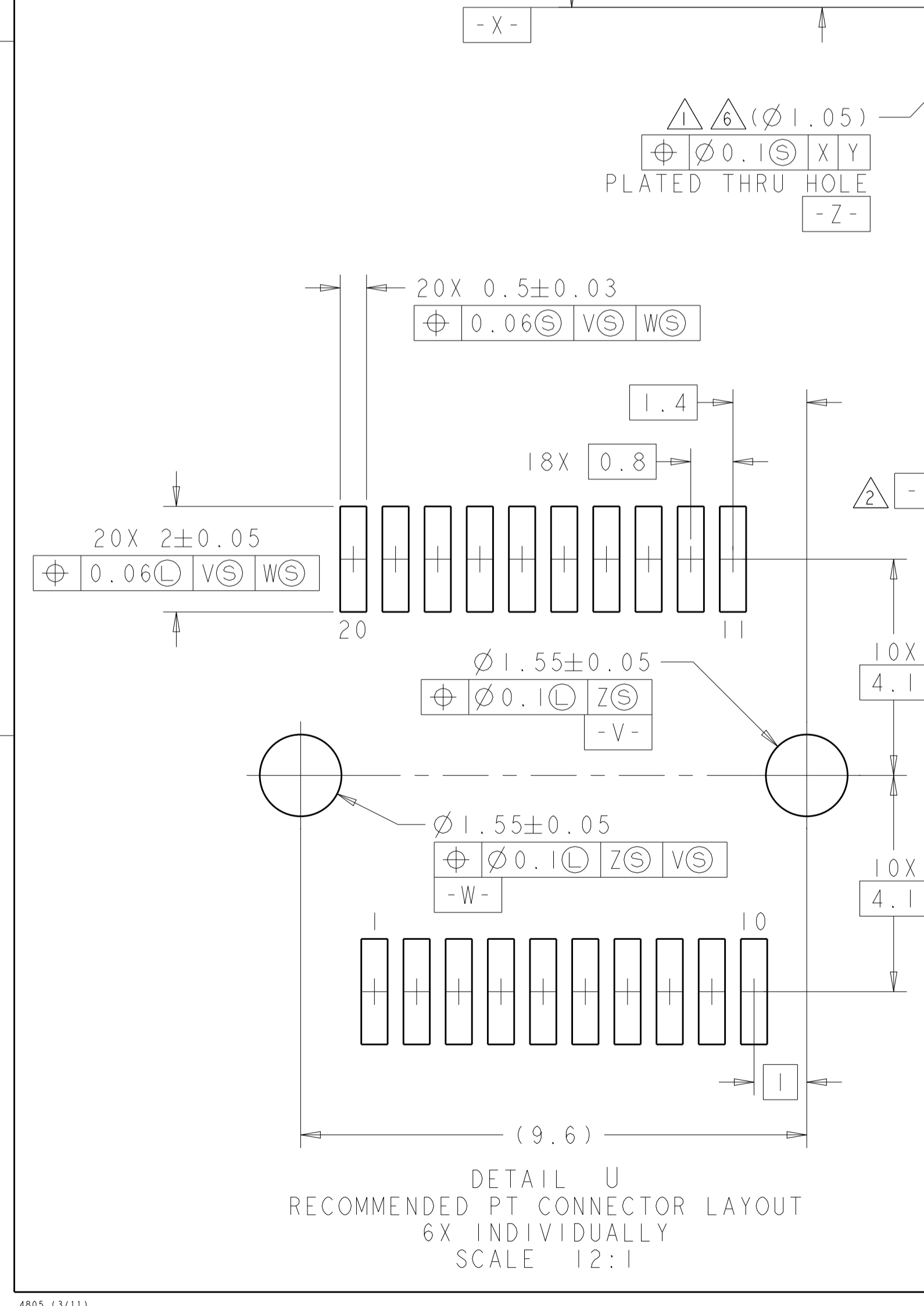
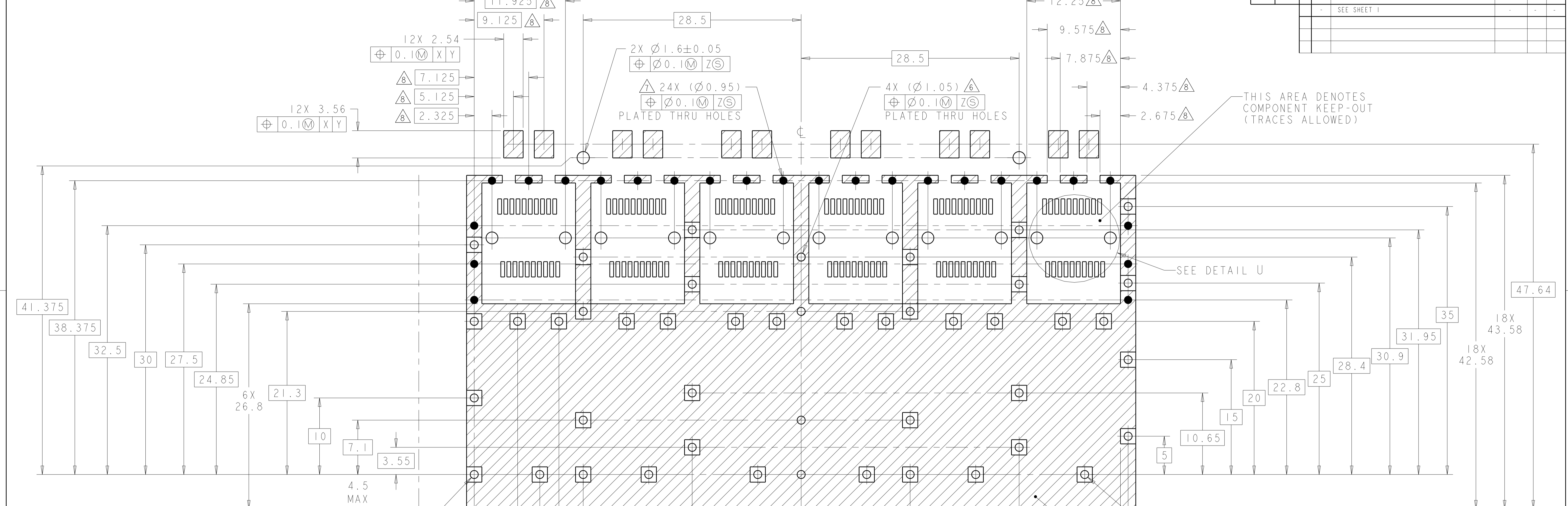
SECTION F-F
RECOMMENDED BEZEL CONFIGURATION



87.75 MIN

THIS DRAWING IS A CONTROLLED DOCUMENT.		DWN: M.E. CONNER 21NOV2003	 TE Connectivity
DIMENSIONS: mm		CHK: M.J. PHILLIPS 21NOV2003	
TOLERANCES UNLESS OTHERWISE SPECIFIED:		APVD: M.J. PHILLIPS 21NOV2003	NAME: SFP
0 PLC ±0.1	1 PLC ±0.1	PRODUCT SPEC	1X6 CAGE ASSEMBLY
2 PLC ±0.1	3 PLC ±0.10	APPLICATION SPEC	WITH LIGHT PIPE
4 PLC ±0.100	ANGLES ±°	RESTRICTED TO	SIZE: A100779
MATERIAL: -	FINISH: -	WEIGHT: -	CAGE CODE: 1658939
Customer Drawing		SCALE: 4:1	SHEET 2 OF 3

LOC	DIST	REVISIONS					
GP	00	P	LTN	DESCRIPTION	DATE	OWN	APVD
		-	-	SEE SHEET 1	-	-	-



THIS DRAWING IS A CONTROLLED DOCUMENT.		OWN: M.E. CONNER 21NOV2003	TE Connectivity NAME: SFP 1X6 CAGE ASSEMBLY WITH LIGHT PIPE
DIMENSIONS: mm		CHK: M.J. PHILLIPS 21NOV2003	
TOLERANCES UNLESS OTHERWISE SPECIFIED:		APVD: M.J. PHILLIPS 21NOV2003	
0 PLC ±0.1 1 PLC ±0.1 2 PLC ±0.10 3 PLC ±0.100 4 PLC ± ANGLES ±°		PRODUCT SPEC: 108-1950 APPLICATION SPEC: 114-13120 WEIGHT:	
MATERIAL: FINISH:		SIZE: A100779 CAGE CODE: C=1658939 CUSTOMER DRAWING	RESTRICTED TO:
		SCALE: 4:1	SHEET: 3 OF 3
			REV: G