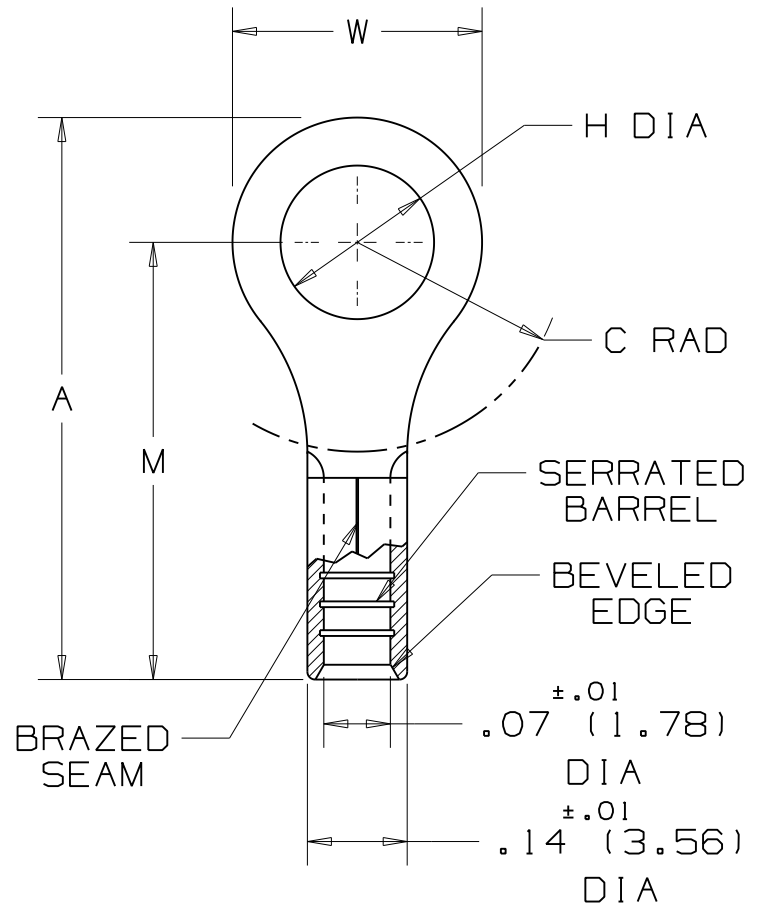


PANDUIT PART NUMBER	STUD SIZE	DIMENSIONS in.				
		A $\pm.03$	W $\pm.01$	C MIN	M $\pm.03$	H $\pm.01$
P18-4R	#4	.62 (15.8)	.25 (6.4)	.21 (5.3)	.50 (12.7)	.12 (3.1)
P18-6RN	#6	.60 (15.2)	.22 (5.6)	.19 (4.8)	.49 (12.5)	.15 (3.8)
P18-6R	#6	.62 (15.8)	.25 (6.4)	.21 (5.3)	.50 (12.7)	.15 (3.8)
P18-8R	#8	.71 (18.0)	.31 (7.9)	.25 (6.4)	.55 (14.0)	.17 (4.3)
P18-10R	#10	.71 (18.0)	.31 (7.9)	.25 (6.4)	.55 (14.0)	.20 (5.1)
P18-14R	1/4"	.91 (23.1)	.46 (11.7)	.38 (9.7)	.68 (17.3)	.27 (6.9)
P18-56R	5/16"	.91 (23.1)	.46 (11.7)	.38 (9.7)	.68 (17.3)	.34 (8.6)
P18-38R	3/8"	1.00 (25.4)	.53 (13.5)	.43 (10.9)	.73 (18.5)	.40 (10.2)
P18-12R	1/2"	1.20 (30.5)	.72 (18.3)	.53 (13.5)	.84 (21.3)	.52 (13.2)



NOTES:

- UL LISTED AND CSA CERTIFIED FOR:
 - #22-16 AWG SOLID OR STRANDED COPPER WIRE
 - 302° F (150° C) MAX. TEMP. RATING
- MATERIAL:
 - STAMPING - .03" (.8) THK COPPER, TIN PLATED
- SEE www.panduit.com FOR PART NUMBER SUFFIX DESIGNATION FOR PACKAGE SIZE.
- DIMENSIONS IN BRACKETS ARE IN MILLIMETERS
- INSTALLATION TOOLS:
 - UL LISTED AND CSA CERTIFIED: CT-100, CT-100A, CT-200, CT-570, CT-600-A, CT-1570, CT-2500
 - PANDUIT APPROVED: CT-160, CT-260
- WIRE STRIP LENGTH: $9/32^{+1/32}_0$ (7.1 $^{+.8}_0$)



LISTED
587H
E52164



CERTIFIED
LR31212

REV	DATE	BY	DESCRIPTION	CUST	PM
07	8/11	SHOR	MODIFIED NOTE #3, ADDED INSTALLATION TOOLS, REMOVED QUANTITIES		
06	5/02	SRB	CHANGED (DIMS) TO 1 PL DECIMAL		
05	4/02	SRB	ADDED P18-12R		TRO

PANDUIT CORP.

TINLEY PARK, ILLINOIS

#22-18 BARREL NON-INSULATED RING TONGUE

DRAWN BY: DAW CHK'D: RLS SCALE: NONE DRAWING NO.: A41263