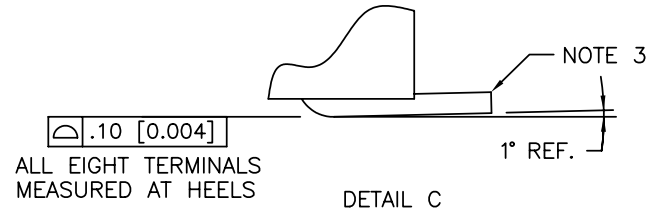
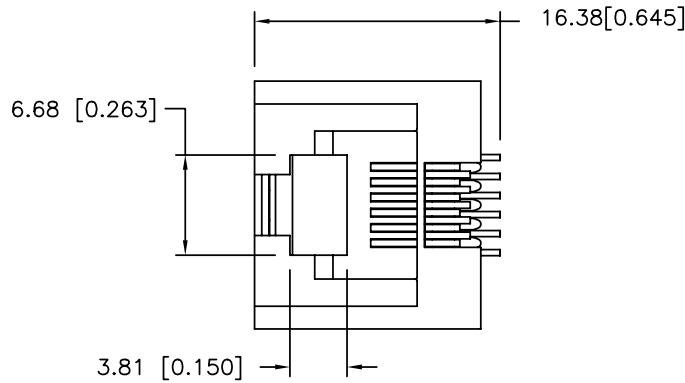
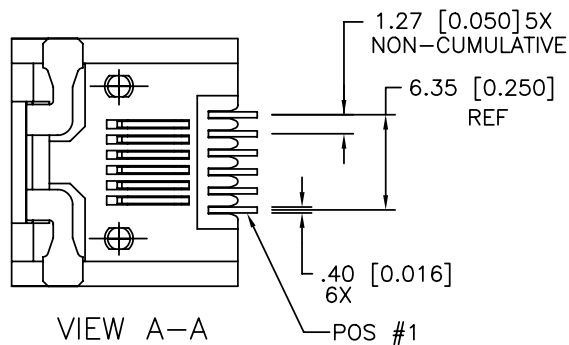
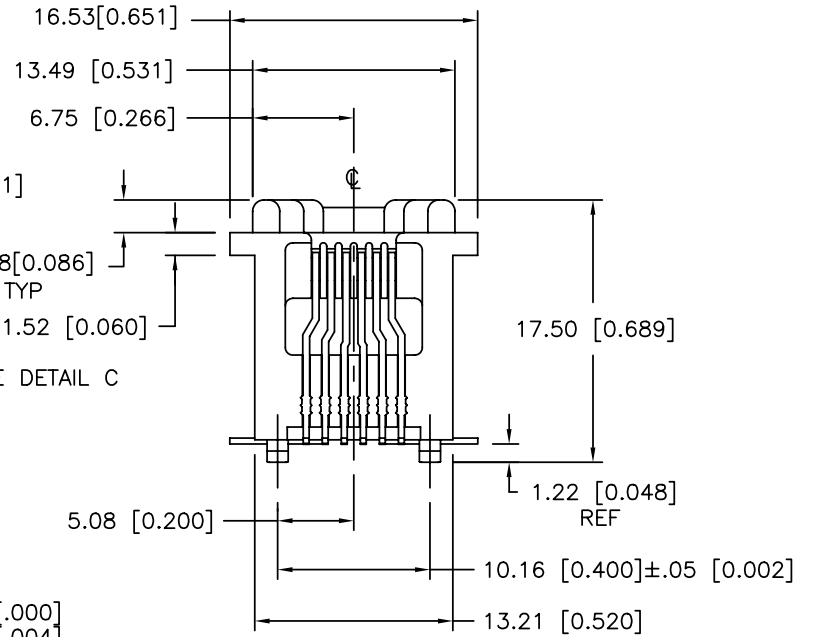
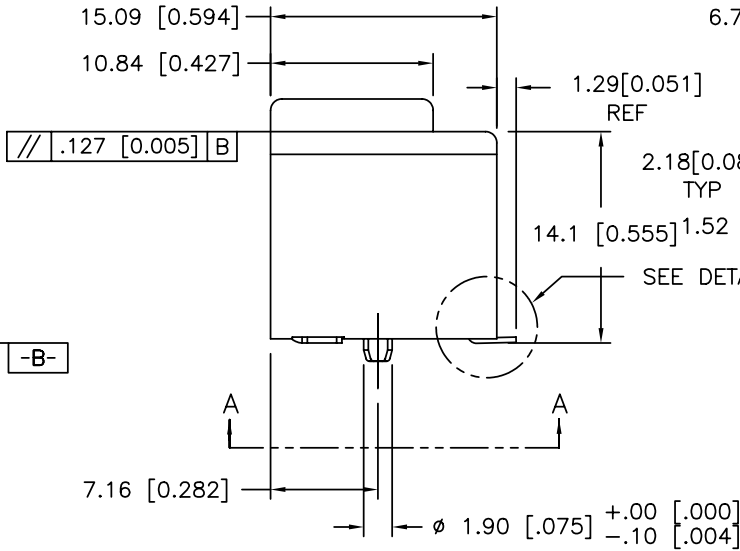
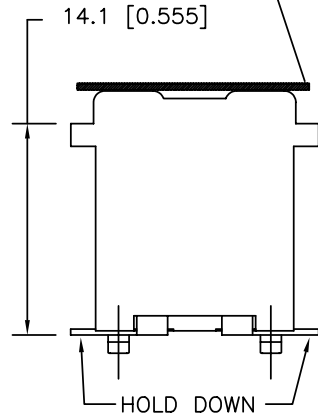


PRODUCT NO.

SEE TABLE



THE MYLAR SEE NOTE 7  
ONLY FOR 87545-XXX1C/XXX1CLF



mat'l. code				tolerances unless otherwise specified		CUSTOMER COPY		FCI www.fciconnect.com	
ltr	ecn no	dr	date	linear	.X±.3/.XX±.01		projection	title	
J	V81474	RGD	9/15/96		.XX±.13/.XXX±.005			A-SMT ASSEMBLY VERT 6 POS	
K	V12666	LP	1/10/02	angles	.XXX±.051/.XXX±.0020		MM/INCH	product family MOD JACK	
L	N05-0035	YS	02/18/05		0° ±2'			size dwg no	
M	N05-0142	ZC	6/2/05	dr	S.DUESTERHOEFT	3/20/96	code		
N	N07-0217	WG	09/07/07	enrg	Y.BELOPOLSKY	3/20/96	213		
P	N08-0194	SH	09/08/09	chr	Y.BELOPOLSKY	7/8/96	sheet		
				appd	Y.BELOPOLSKY	7/8/96	1 of 2		
sheet index	revision sheet	N 1	N 2			scale 1:1		A4	
								cage code	

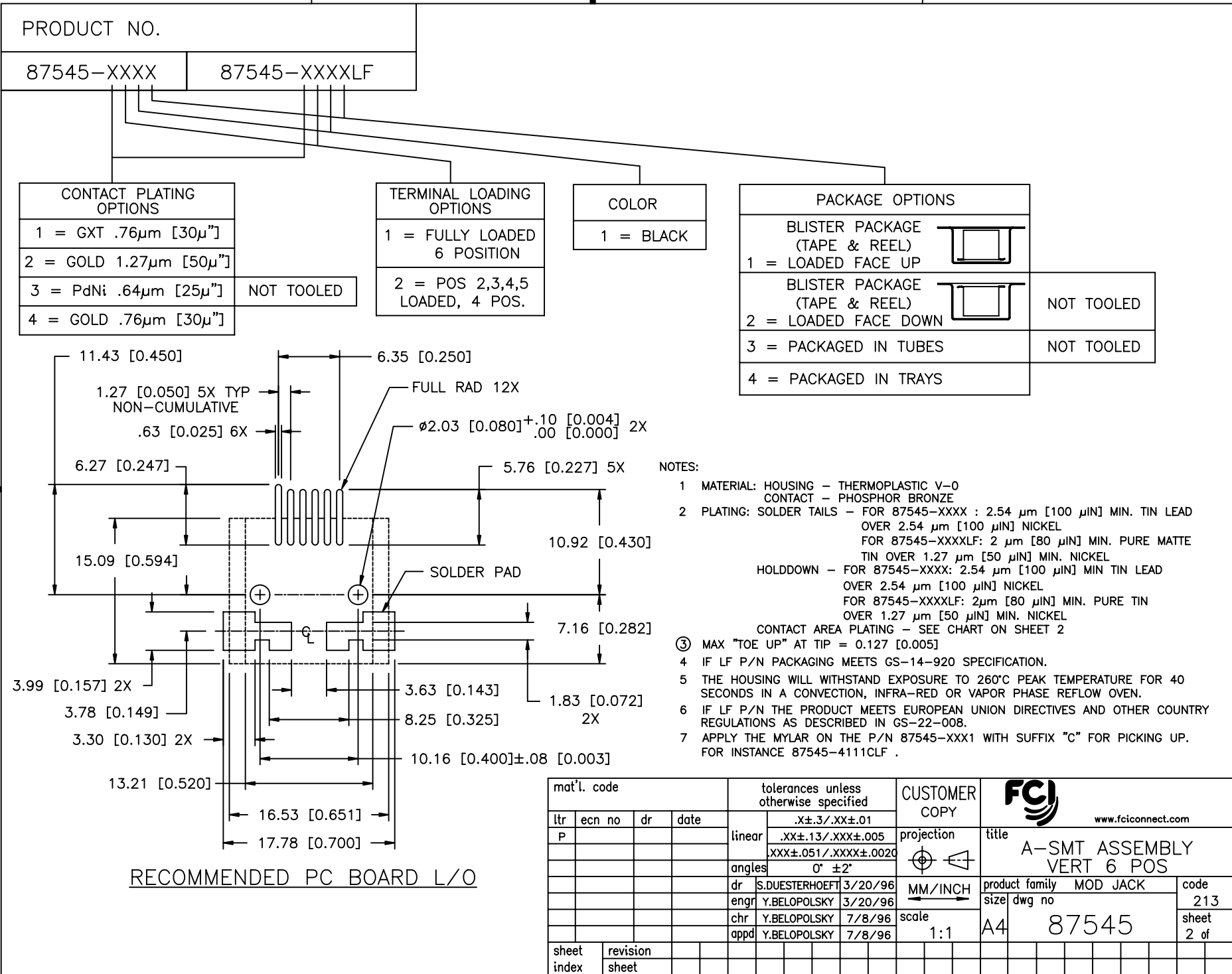
PDM: Rev:P

STATUS: Released 25 Aug 01, 2010

Tous droits strictement reserves. Reproduction ou communication a des tiers interdite sous quelque forme que ce soit sans autorisation écrite du propriétaire. Propriete de c FCI. Droits de reproduction FCI.

All rights strictly reserved. Reproduction or issue to third parties in any form whatever is not permitted without written authority from the proprietor. Property of FCI. Copyright FCI.





PRODUCT NO.  
87545-XXXX      87545-XXXXLF

CONTACT PLATING OPTIONS	
1 = GXT .76µm [30µ"]	
2 = GOLD 1.27µm [50µ"]	
3 = PdNi .64µm [25µ"]	NOT TOOLED
4 = GOLD .76µm [30µ"]	

TERMINAL LOADING OPTIONS	
1 = FULLY LOADED 6 POSITION	
2 = POS 2,3,4,5 LOADED, 4 POS.	

COLOR	
1 = BLACK	

PACKAGE OPTIONS		
BLISTER PACKAGE (TAPE & REEL)		
1 = LOADED FACE UP		
BLISTER PACKAGE (TAPE & REEL)		NOT TOOLED
2 = LOADED FACE DOWN		
3 = PACKAGED IN TUBES		NOT TOOLED
4 = PACKAGED IN TRAYS		

- NOTES:
- MATERIAL: HOUSING - THERMOPLASTIC V-0  
CONTACT - PHOSPHOR BRONZE
  - PLATING: SOLDER TAILS - FOR 87545-XXXX : 2.54 µm [100 µIN] MIN. TIN LEAD OVER 2.54 µm [100 µIN] NICKEL  
FOR 87545-XXXXLF: 2 µm [80 µIN] MIN. PURE MATTE TIN OVER 1.27 µm [50 µIN] MIN. NICKEL  
HOLDDOWN - FOR 87545-XXXX: 2.54 µm [100 µIN] MIN TIN LEAD OVER 2.54 µm [100 µIN] NICKEL  
FOR 87545-XXXXLF: 2µm [80 µIN] MIN. PURE TIN OVER 1.27 µm [50 µIN] MIN. NICKEL  
CONTACT AREA PLATING - SEE CHART ON SHEET 2
  - MAX "TOE UP" AT TIP = 0.127 [0.005]
  - IF LF P/N PACKAGING MEETS GS-14-920 SPECIFICATION.
  - THE HOUSING WILL WITHSTAND EXPOSURE TO 260°C PEAK TEMPERATURE FOR 40 SECONDS IN A CONVECTION, INFRA-RED OR VAPOR PHASE REFLOW OVEN.
  - IF LF P/N THE PRODUCT MEETS EUROPEAN UNION DIRECTIVES AND OTHER COUNTRY REGULATIONS AS DESCRIBED IN GS-22-008.
  - APPLY THE MYLAR ON THE P/N 87545-XXX1 WITH SUFFIX "C" FOR PICKING UP. FOR INSTANCE 87545-4111CLF .

mat'l. code				tolerances unless otherwise specified		CUSTOMER COPY		FCI www.fciconnect.com	
ltr	ecn no	dr	date	linear	.X±.3/.XX±.01		projection	title	
P					.XX±.13/.XXX±.005			A-SMT ASSEMBLY VERT 6 POS	
				angles	.XXX±.051/.XXX±.0020			product family MOD JACK	
					0° ±2'			size dwg no	
				dr	S.DUESTERHOEFT	3/20/96	MM/INCH	code	
				enr	Y.BELOPOLSKY	3/20/96		213	
				chr	Y.BELOPOLSKY	7/8/96	scale	sheet	
				app	Y.BELOPOLSKY	7/8/96		2 of	
sheet index	revision sheet								

RECOMMENDED PC BOARD L/O