

THIS DRAWING IS UNPUBLISHED.

RELEASED FOR PUBLICATION MAR , 2006.

© COPYRIGHT 2006 By -

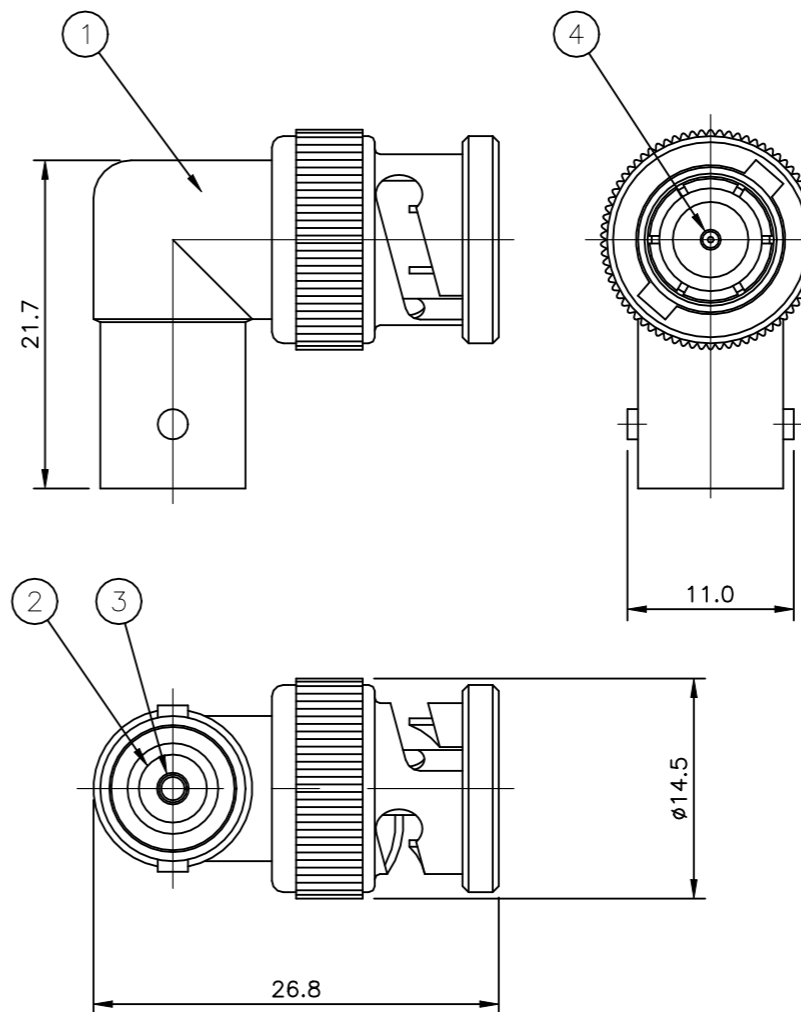
ALL RIGHTS RESERVED.

REVISIONS

P	LTR	DESCRIPTION	DATE	DWN	APVD
	C2	REVISED PER ECR-21-112844	07SEP2021	RZ	WK

NOTES

- 1 100 TRAY PACK IN ACCORDANCE WITH AMP SPEC 107-3275
- 2 SINGLE PACK IN ACCORDANCE WITH AMP SPEC 107-3275
- 3 Au PLATING
- 4 Ni PLATING
- 5. FOR TECHNICAL DATA REFER TO YOUR LOCAL TE CONNECTIVITY SALES OFFICE
- 6. ALL DIMENSIONS ARE NOMINAL FOR REFERENCE ONLY UNLESS OTHERWISE STATED
- 7. DURABILITY: 50 CYCLES



		Ossolete							
QTY	PLC	QTY	PLC	QTY	PLC	QTY	PLC	QTY	PLC
	1	1	1	1	1	1	1	1	1
	1	1	1	1	1	1	1	1	1
	1	1	1	1	1	1	1	1	1
	1	1	1	1	1	1	1	1	1
	5--1	5--0							
QUANTITY PER ASSY					PARTS LIST				

THIS DRAWING IS A CONTROLLED DOCUMENT.		DWN RITA ZUO 10 Mar 09	STE TE Connectivity	
		CHK ANSON MA 10 Mar 09		
DIMENSIONS: mm		APVD BOB ZHAO 10 Mar 09	NAME BNC ELBOW ADAPTOR PLUG - JACK	
TOLERANCES UNLESS OTHERWISE SPECIFIED:		PRODUCT SPEC 108-112000	50 OHMS	
MATERIAL SEE TABLE		APPLICATION SPEC -	SIZE A3	CAGE CODE 00779
		WEIGHT 0.000000	DRAWING NO C-1634526	RESTRICTED TO -
		CUSTOMER DRAWING		SCALE NTS
		SHEET 1 OF 1		REV C2