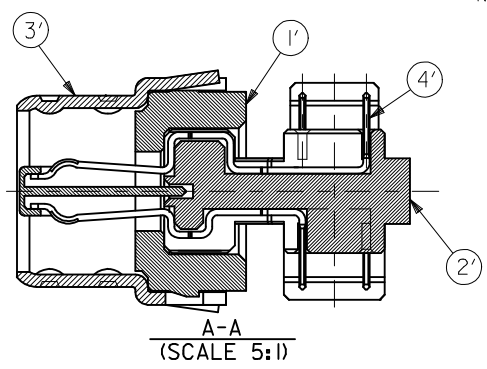


番号 NO.	部品名 PART NAME	個数 QUAN.	材質 MATERIAL	仕上げ FINISH	
1	プラグハウジング アッセンブリ PLUG HOUSING ASSEMBLY	1	OUTER HOUSING	ガラス入りPBT G.F. PBT	
			INNER HOUSING	ガラス入りPBT G.F. PBT	
			シールド SHIELD	鋼 STEEL	ニッケルメッキ NICKEL PLATING
			ターミナル TRMINAL	リン青銅 PHOS. BRO.	接点部 金: 0.76 μm IN. CONTACT AREA , GOLD 圧接部 錫メッキ I.D. PORTION, TIN PLATING ニッケルメッキ NICKEL BASE
2	アッパーハウジング UPPER HOUSING	2	ガラス入りPBT G.F. PBT	—	

注記 1. 適用電線: UL STYLE NO. 20276 相当品
NOTES APPLICABLE WIRE : FIT FOR UL STYLE NO. 20276

サイズ SIZE	導体 WIRE RANGE	絶縁体外径 INS. RANGE
AWG# 28	0.38 (7/0.127)	0.58

2. 本製品は 52316-***11 の鉛フリー品である。
THIS PRODUCT IS LEAD FREE OF 52316-***11.



29.34	52316-3619		36
22.99	52316-2619	52316-***19	26
19.18	52316-2019		20
A	MATERIAL NO.	MODEL NO.	N 極数 CKT.

GENERAL TOLERANCES (UNLESS SPECIFIED)			DIMENSION STYLE MM ONLY		SCALE 2.0	DESIGN UNITS METRIC	THIRD ANGLE PROJECTION
0.25 UNDER	UNDER	±0.2	DRAWN BY	DATE	TITLE		
0.25 OVER	0.5 UNDER	±0.2	H. KAWABATA	2004/04/27	1.27 I/O PLUG ASSY		
0.5 OVER	1.0 UNDER	±0.2	CHECKED BY	DATE	-LEAD FREE-		
1.0 OVER	30 UNDER	±0.2	K. TOJO	2004/04/27	molex		
10 OVER	30 UNDER	±0.25	APPROVED BY	DATE	DOCUMENT NO.		
30 OVER		±0.3			SEE CHART		SD-52316-002
ANGULAR	±3 °				MATERIAL NO.		SHEET NO.
DRAFT WHERE APPLICABLE MUST REMAIN WITHIN DIMENSIONS			SIZE A3		THIS DRAWING CONTAINS INFORMATION THAT IS PROPRIETARY TO MOLEX ELECTRONIC TECHNOLOGIES, LLC AND SHOULD NOT BE USED WITHOUT WRITTEN PERMISSION		