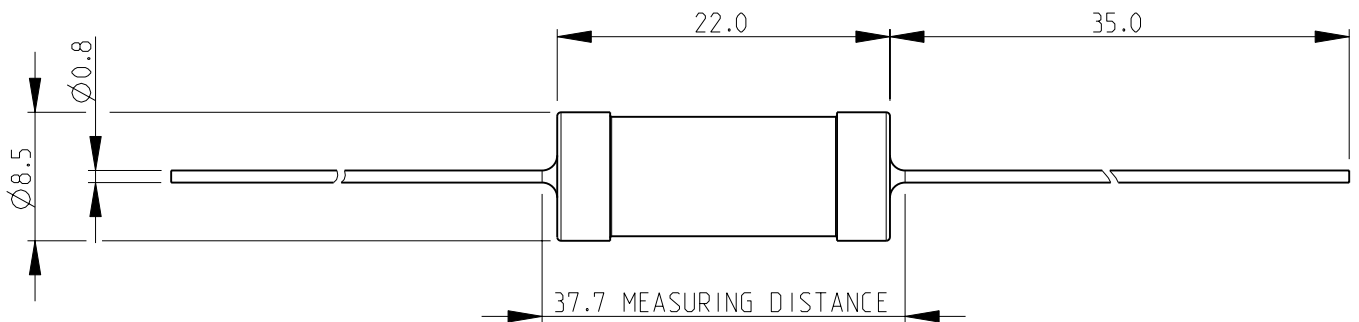
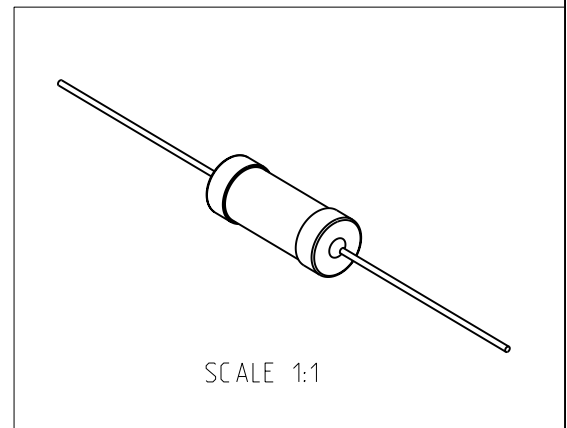


LOC	DIST	REVISIONS					
E	B	P	LTR	DESCRIPTION	DATE	DWN	APVD
			BA	NEW RELEASE	18-NOV-08	SM	St.P

FOR FURTHER INFORMATION SEE DATA SHEET FOR
C SERIES-HIGH POWER RESISTORS



RoHS Compliant



2008
 RELEASED FOR PUBLICATION
 THIS DRAWING IS UNPUBLISHED.
 COPYRIGHT 2008 BY TYCO ELECTRONICS CORPORATION. ALL RIGHTS RESERVED.

DIMENSIONS: mm	DWN	SUBHASH.M	18-NOV-08	MATERIAL	-	FINISH	-
	CHK	PRAKASH.S	18-NOV-08	Tyco Electronics Tyco Electronics Corporation Dorcan, Swindon, SN3 5HH	NAME HIGH POWER RESISTORS SERIES C7		
TOLERANCES UNLESS OTHERWISE SPECIFIED:	APVD	STEPHEN.P	18-NOV-08				
0 PLC ±0.2	PRODUCT SPEC	-		SIZE	A 4	CAGE CODE	00779
1 PLC ±0.1	APPLICATION SPEC	-		DRAWING NO	C-1623772		RESTRICTED TO
2 PLC ±-	WEIGHT	-		CUSTOMER DRAWING			SCALE
3 PLC ±-				SCALE 2:1			SHEET 1 OF 1
4 PLC ±-				SCALE 2:1			REV BA
ANGLES ±5°				SCALE 2:1			REV BA