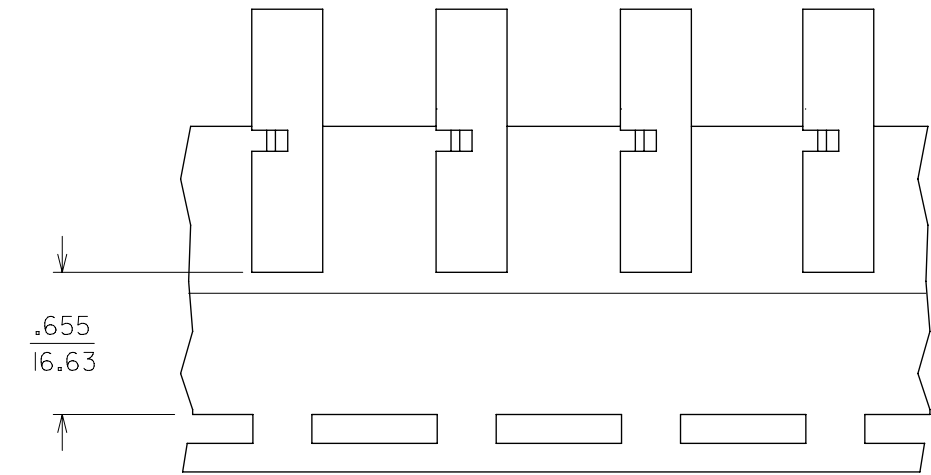
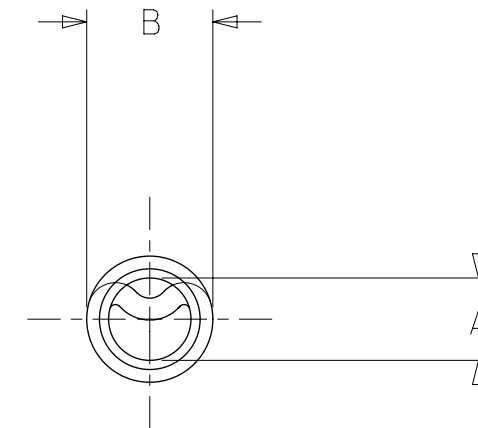
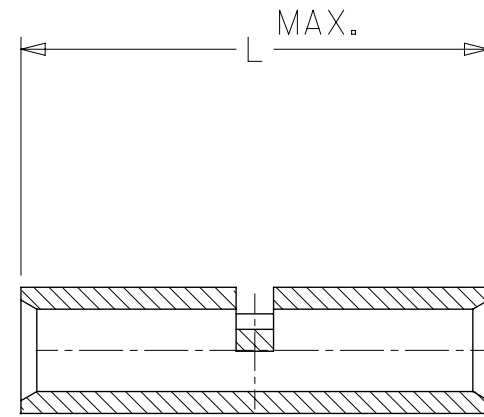


MATERIAL NUMBER	ALTERNATE NUMBER	"L" MAX	"A" MIN.	"B"	PACKAGING
192150009	AS-345	.675 (17.10)	.059 (1.50)	.130 (3.30)	LOOSE PIECE
192150254	AS-345UST	.675 (17.10)	.059 (1.50)	.130 (3.30)	TAPE MOUNTED



PARTS ON TAPE



CUSTOMER DRAWING

NOTES:

1. MATERIAL: COPPER.
2. PLATING: ELECTRO-TIN.
3. ALL DIMENSIONS IN INCHES/(mm).

THIS DRAWING CONTAINS INFORMATION THAT IS PROPRIETARY TO MOLEX ELECTRONIC TECHNOLOGIES, LLC AND SHOULD NOT BE USED WITHOUT WRITTEN PERMISSION												
DIMENSION UNITS		SCALE		CURRENT REV DESC: OBSOLETE PART NUMBERS						<b>molex</b>		
IN/MM		NTS										
GENERAL TOLERANCES (UNLESS SPECIFIED)				EC NO: 640784		2020/06/04		BUTT CONNECTOR SEAMLESS 22-18 AWG WIRE SIZE				
		MM	INCH	DRWN: RPRABHUM		2020/07/29						
4 PLACES		±	±	CHK'D: GGA		2020/07/29		PRODUCT CUSTOMER DRAWING				
3 PLACES		±	± 0.005	APPR: GGA		2020/07/29		DOCUMENT NUMBER				
2 PLACES		± 0.13	± 0.01	INITIAL REVISION:				SD-19215-001		DOC TYPE	DOC PART	REVISION
1 PLACE		± 0.25	±	DRWN: JLOMASTRO		2005/01/07				PSD	001	C
0 PLACES		±	±	APPR: RDEROSS		2005/01/07						
ANGULAR TOL		± 0.5°		THIRD ANGLE PROJECTION		DRAWING		SERIES		MATERIAL NUMBER		SHEET NUMBER
DRAFT WHERE APPLICABLE MUST REMAIN WITHIN DIMENSIONS				B-SIZE		19215		SEE CHART		GENERAL MARKET		1 OF 1