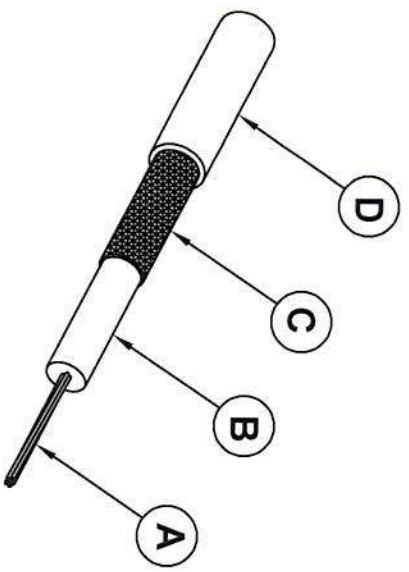


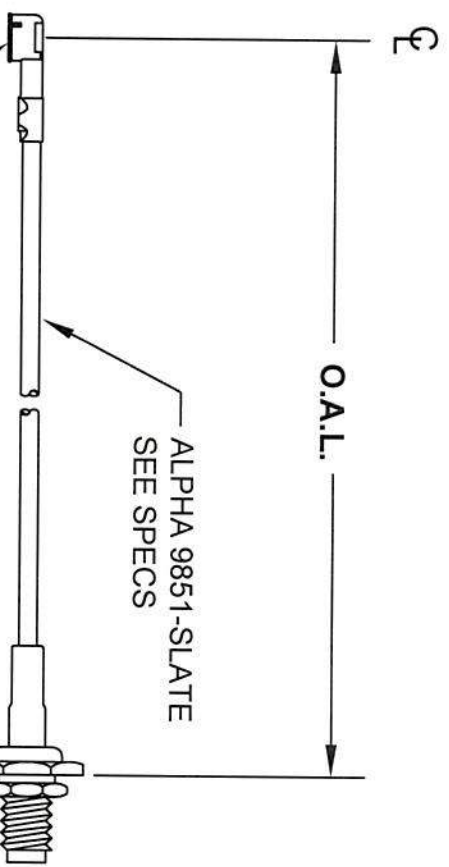
**ALPHA 9851 COAXIAL CABLE SPECS**



- CONSTRUCTION**
- A. CONDUCTOR: AWG 30 (7/38) SILVER PLATED COPPER CLAD STEEL, 0.012" NOMINAL
  - B. DIELECTRIC: FEP, .033" NOMINAL DIA.
  - C. SHIELD: AWG 40(1) SPC BRAIDED SHIELD
  - D. JACKET: SLATE FEP, 0.006" THICK, 0.058" +/- .003"

- REQUIREMENTS**
- 1. IMPEDANCE: 50 +/- 2 OHMS
  - 2. CAPACITANCE: 30 PF / FT NOM
  - 3. VELOCITY OF PROPAGATION: 69% OF AIR NOM
  - 4. ATTENUATION: 29dB/100FT NOM @ 400MHZ  
49dB/100FT (EST.) @ 1GHZ
  - 5. DIELECTRIC BREAKDOWN: 1,000 VOLTS

REVISIONS			
REV	DESCRIPTION	DATE	APRV



- HIROSE
- H.F.L-LP-DFS111(01)
- HOUSING
- H.F.L-LP CONTACT
- SMA BULK HEAD JACK
- REVERSE POLARITY
- KAI S-038-1/1.5-RP-S-50-TGG
- OR EQUAL

**CONFIDENTIAL**

THIS DRAWING AND THE SPECIFICATIONS CONTAINED HEREIN ARE THE PROPERTY OF KSM ELECTRONICS INC. AND MAY NOT BE REPRODUCED OR USED IN WHOLE OR IN PART AS THE BASIS FOR MANUFACTURE OR SALE OF PRODUCTS WITHOUT WRITTEN PERMISSION OF KSM ELECTRONICS INC.

NOTE: THIS DRAWING INCORPORATES THIRD ANGLE PROJECTION



DRAWN BY: <b>JOSHUA SALCEDO</b>		TITLE: <b>H.F.L TO SMAJ BULKHEAD CABLE ASSEMBLY</b>	
C. MURPHY		SIZE: <b>A</b>	CAGE CODE: <b>67013</b>
APPROVALS		SCALE: NONE	WEIGHT
<p><b>KSM Electronics Inc.</b> 6630 N.W. 16TH Terrace Ft. Lauderdale, FL 33309</p>		DRAWING NUMBER: <b>KSM-2899-REV-</b>	

1

2

3

4

1

2

3

4