

# VFC-PT/FLK14/PLC - Interface module



1278798

<https://www.phoenixcontact.com/us/products/1278798>

Please be informed that the data shown in this PDF document is generated from our online catalog. Please find the complete data in the user documentation. Our general terms of use for downloads are valid.

VARIOFACE Front Connect, IDC/FLK termination board for the system cabling with Push-in front connections for 8 channels and additional positive and negative potential terminal blocks for 3-conductor initiator connection, number of positions: 14, overall width: 19 mm



## Your advantages

- Fast, clear, and error-free wiring, thanks to Push-in terminal blocks with front connection technology
- Up to 60 % less space required in the control cabinet compared to conventional solutions due to the innovative design with an installation width of 19 mm
- Plug and Play connection to the remote IO and field level with the comprehensive system cabling range from Phoenix Contact
- Optimum support for your distributed I/O devices, thanks to high flexibility and the slim design
- Optically and haptically compatible with modern remote IO systems

## Commercial data

Item number	1278798
Packing unit	1 pc
Minimum order quantity	1 pc
Sales key	C421
Product key	CK2162
GTIN	4063151475550
Weight per piece (including packing)	101.7 g
Weight per piece (excluding packing)	101.7 g
Customs tariff number	85366990
Country of origin	DE

# VFC-PT/FLK14/PLC - Interface module



1278798

<https://www.phoenixcontact.com/us/products/1278798>

## Technical data

### Notes

General	For proper use, the specifications of the installation directive (see Downloads) must be observed.
---------	--

### Product properties

Product type	Interface module
Number of positions	14
No. of channels	8

### Insulation characteristics

Insulation	Functional insulation
------------	-----------------------

### Insulation characteristics: Air clearances and creepage distances

Insulation	Functional insulation
Overvoltage category	II
Pollution degree	2

### Electrical properties

No. of channels	8
Max. permissible operating voltage	30 V AC
	60 V DC
Max. permissible current	1 A (per branch)

### Air clearances and creepage distances

Rated insulation voltage	63 V
Rated surge voltage	0.8 kV (1.2/50 µs)

### Supported controller SIEMENS S7-1500

Suitable I/O card	6ES7521-1BH00-0AB0
	6ES7521-1BH10-0AA0
	6ES7521-1BH50-0AA0
	6ES7521-1BL00-0AB0
	6ES7521-1BL10-0AA0
	6ES7522-1BH00-0AB0
	6ES7522-1BH01-0AB0
	6ES7522-1BL00-0AB0
	6ES7522-1BL01-0AB0
	6ES7522-1BL10-0AA0
	6ES7523-1BL00-0AA0

### Supported controller ALLEN-BRADLEY ControlLogix

Suitable I/O card	1756-IB32
	1756-OB32
	1756-IN16

# VFC-PT/FLK14/PLC - Interface module



1278798

<https://www.phoenixcontact.com/us/products/1278798>

	1756-IB16
	1756-IC16
	1756-OB16E

## Supported controller ALLEN-BRADLEY PLC 5

Suitable I/O card	1771 IBN
	1771 OBN

## Supported controller ALLEN-BRADLEY SLC 500

Suitable I/O card	1746 OB 32
	1746 OV 32
	1746 IB 32
	1746 IV 32

## Supported controller GE-FANUC RX3i

Suitable I/O card	IC694MDL754
	IC694MDL660

## Supported controller HONEYWELL Experion PKS C200

Suitable I/O card	TC-IDD 321
	TC-ODD 321

## Supported controller MITSUBISHI MELSEC Q

Suitable I/O card	QX81
	QY81P
	QX41
	QX41-S1
	QX42
	QX42-S1
	QX71
	QX72
	QY41P
	QY42P
	QY71
	QH42P
	QX82
	QX82-S1
	QY82P

## Supported controller MITSUBISHI MELSEC L

Suitable I/O card	LX41C4
	LX42C4
	LY41NT1P
	LY42NT1P
	LY41PT1P
	LY42PT1P

# VFC-PT/FLK14/PLC - Interface module



1278798

<https://www.phoenixcontact.com/us/products/1278798>

## Supported controller SCHNEIDER ELECTRIC Modicon TSX QUANTUM

Suitable I/O card	DDI 353
	DDI 853
	DAI 453
	DDO 353

## Supported controller SIEMENS ET 200SP

Suitable I/O module	6ES7131-6BH01-0BA0 (Base Units A0/A1)
	6ES7131-6BH01-2BA0 (Base Units A0/A1)
	6ES7132-6BH01-0BA0 (Base Units A0/A1)
	6ES7132-6BH01-2BA0 (Base Units A0/A1)

## Connection data

### Controller level

Connection in acc. with standard	IEC 60603-13
	DIN 41651
Connection method	IDC/FLK pin strip
Number of connections	1
Number of positions	14

### Field level

Connection method	Push-in connection
Stripping length	10 mm
Number of positions	28
Conductor cross section rigid	0.2 mm <sup>2</sup> ... 1.5 mm <sup>2</sup>
Conductor cross section flexible	0.2 mm <sup>2</sup> ... 2.5 mm <sup>2</sup>
	0.25 mm <sup>2</sup> ... 1.5 mm <sup>2</sup> (Ferrules without plastic sleeve)
	0.25 mm <sup>2</sup> ... 1.5 mm <sup>2</sup> (Ferrule with plastic sleeve)
Conductor cross section AWG	24 ... 16

## Signaling

Status display	No
Status display present	No

## Dimensions

Width	18.9 mm
Height	127.22274 mm
Depth	55.0171 mm
Width	18.9 mm
Height	127 mm
Depth	55 mm

## Material specifications

Flammability rating according to UL 94	V0
--	----

1278798

<https://www.phoenixcontact.com/us/products/1278798>

## Environmental and real-life conditions

### Ambient conditions

Degree of protection	IP20
Degree of protection (Installation location)	IP54 (Installation location)
Ambient temperature (operation)	-40 °C ... 70 °C (≤ 2000 m) -40 °C ... 63 °C (2001 m - 3000 m)
Altitude	≤ 3000 m

## Approvals

### UL, USA/Canada

Identification	UL 61010-2-201
----------------	----------------

### CSA, USA/Canada

Identification	CSA C22.2 NO. 61010-2-201
----------------	---------------------------

## Standards and regulations

### Air clearances and creepage distances

Standards/regulations	DIN EN 60664-1
-----------------------	----------------

## Mounting

Mounting type	DIN rail mounting
Mounting position	any

# VFC-PT/FLK14/PLC - Interface module

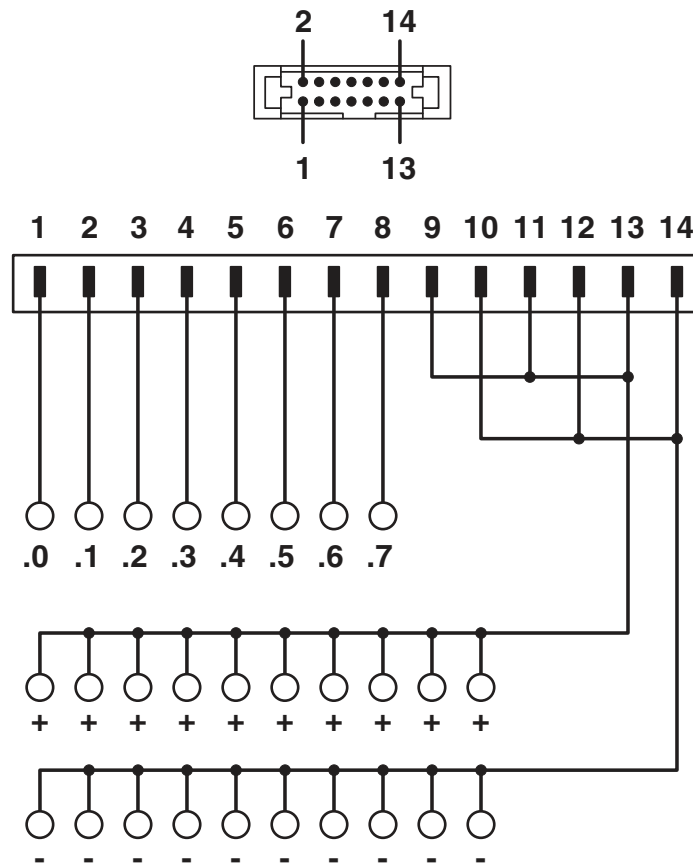
1278798

<https://www.phoenixcontact.com/us/products/1278798>



## Drawings

Circuit diagram



# VFC-PT/FLK14/PLC - Interface module



1278798

<https://www.phoenixcontact.com/us/products/1278798>

## Approvals

🔗 To download certificates, visit the product detail page: <https://www.phoenixcontact.com/us/products/1278798>



**UL Listed**

Approval ID: FILE E 238705



**cUL Listed**

Approval ID: FILE E 238705

**cULus Listed**

# VFC-PT/FLK14/PLC - Interface module



1278798

<https://www.phoenixcontact.com/us/products/1278798>

## Classifications

### ECLASS

ECLASS-11.0	27141152
ECLASS-12.0	27141152
ECLASS-13.0	27141152

### ETIM

ETIM 8.0	EC002780
----------	----------

### UNSPSC

UNSPSC 21.0	39121400
-------------	----------



# VFC-PT/FLK14/PLC - Interface module



1278798

<https://www.phoenixcontact.com/us/products/1278798>

## Environmental product compliance

China RoHS	Environmentally friendly use period: unlimited = EFUP-e
	No hazardous substances above threshold values

# VFC-PT/FLK14/PLC - Interface module

1278798

<https://www.phoenixcontact.com/us/products/1278798>



## Accessories

### FLKM 20-PA-ET200SP - Front adapter

1099751

<https://www.phoenixcontact.com/us/products/1099751>



VARIOFACE front adapter for Siemens SIMATIC® ET200SP, with a 20-pos. FLK-/IDC male strip, max. 16 channels can be connected

---

### FLK EZ-DR.../.../... - Cable

2295059

<https://www.phoenixcontact.com/us/products/2295059>



Round cable, with preassembly, not shielded, variable cable length

# VFC-PT/FLK14/PLC - Interface module

1278798

<https://www.phoenixcontact.com/us/products/1278798>



## FLK EZ-DR-S.../.../... - Cable

2295046

<https://www.phoenixcontact.com/us/products/2295046>

Round cable, with preassembly, shielded, variable cable length



---

## SK 2,8 WH:REEL - Marker strip

0805205

<https://www.phoenixcontact.com/us/products/0805205>



Marker strip, Roll, white, unlabeled, can be labeled with: THERMOMARK E.300 (D)/600 (D), THERMOMARK ROLL 2.0, THERMOMARK ROLL, THERMOMARK ROLL X1, THERMOMARK ROLLMASTER 300/600, THERMOMARK X1.2, mounting type: adhesive, lettering field size: continuous x 2.8 mm, Number of individual labels: 480000

# VFC-PT/FLK14/PLC - Interface module

1278798

<https://www.phoenixcontact.com/us/products/1278798>

## FLK 14/EZ-DR/ 30/KONFEK - Cable

2295729

<https://www.phoenixcontact.com/us/products/2295729>



Round cable set; connection 1: IDC/FLK socket strip (1x 14-position); connection 2: IDC/FLK socket strip (1x 14-position); cable length: 0.3 m

---

## FLK 14/EZ-DR/ 50/KONFEK - Cable

2288901

<https://www.phoenixcontact.com/us/products/2288901>



Round cable set; connection 1: IDC/FLK socket strip (1x 14-position); connection 2: IDC/FLK socket strip (1x 14-position); cable length: 0.5 m

# VFC-PT/FLK14/PLC - Interface module



1278798

<https://www.phoenixcontact.com/us/products/1278798>

## FLK 14/EZ-DR/ 100/KONFEK - Cable

2288914

<https://www.phoenixcontact.com/us/products/2288914>



Round cable set; connection 1: IDC/FLK socket strip (1x 14-position); connection 2: IDC/FLK socket strip (1x 14-position); cable length: 1 m

---

## FLK 14/EZ-DR/ 150/KONFEK - Cable

2288927

<https://www.phoenixcontact.com/us/products/2288927>



Round cable set; connection 1: IDC/FLK socket strip (1x 14-position); connection 2: IDC/FLK socket strip (1x 14-position); cable length: 1.5 m

# VFC-PT/FLK14/PLC - Interface module



1278798

<https://www.phoenixcontact.com/us/products/1278798>

## FLK 14/EZ-DR/ 200/KONFEK - Cable

2288930

<https://www.phoenixcontact.com/us/products/2288930>



Round cable set; connection 1: IDC/FLK socket strip (1x 14-position); connection 2: IDC/FLK socket strip (1x 14-position); cable length: 2 m

---

## FLK 14/EZ-DR/ 250/KONFEK - Cable

2288943

<https://www.phoenixcontact.com/us/products/2288943>



Round cable set; connection 1: IDC/FLK socket strip (1x 14-position); connection 2: IDC/FLK socket strip (1x 14-position); cable length: 2.5 m

# VFC-PT/FLK14/PLC - Interface module



1278798

<https://www.phoenixcontact.com/us/products/1278798>

## FLK 14/EZ-DR/ 300/KONFEK - Cable

2288956

<https://www.phoenixcontact.com/us/products/2288956>



Round cable set; connection 1: IDC/FLK socket strip (1x 14-position); connection 2: IDC/FLK socket strip (1x 14-position); cable length: 3 m

---

## FLK 14/EZ-DR/ 350/KONFEK - Cable

2288969

<https://www.phoenixcontact.com/us/products/2288969>



Round cable set; connection 1: IDC/FLK socket strip (1x 14-position); connection 2: IDC/FLK socket strip (1x 14-position); cable length: 3.5 m

# VFC-PT/FLK14/PLC - Interface module



1278798

<https://www.phoenixcontact.com/us/products/1278798>

## FLK 14/EZ-DR/ 400/KONFEK - Cable

2288972

<https://www.phoenixcontact.com/us/products/2288972>



Round cable set; connection 1: IDC/FLK socket strip (1x 14-position); connection 2: IDC/FLK socket strip (1x 14-position); cable length: 4 m

---

## FLK 14/EZ-DR/ 500/KONFEK - Cable

2290834

<https://www.phoenixcontact.com/us/products/2290834>



Round cable set; connection 1: IDC/FLK socket strip (1x 14-position); connection 2: IDC/FLK socket strip (1x 14-position); cable length: 5 m



# VFC-PT/FLK14/PLC - Interface module



1278798

<https://www.phoenixcontact.com/us/products/1278798>

## FLK 14/EZ-DR/ 600/KONFEK - Cable

2290863

<https://www.phoenixcontact.com/us/products/2290863>



Round cable set; connection 1: IDC/FLK socket strip (1x 14-position); connection 2: IDC/FLK socket strip (1x 14-position); cable length: 6 m

---

## FLK 14/EZ-DR/ 800/KONFEK - Cable

2299563

<https://www.phoenixcontact.com/us/products/2299563>



Round cable set; connection 1: IDC/FLK socket strip (1x 14-position); connection 2: IDC/FLK socket strip (1x 14-position); cable length: 8 m

# VFC-PT/FLK14/PLC - Interface module

1278798

<https://www.phoenixcontact.com/us/products/1278798>

## FLK 14/EZ-DR/1000/KONFEK - Cable

2299576

<https://www.phoenixcontact.com/us/products/2299576>



Round cable set; connection 1: IDC/FLK socket strip (1x 14-position); connection 2: IDC/FLK socket strip (1x 14-position); cable length: 10 m

---

## FLK 14/EZ-DR/HF/ 50/KONFEK - Cable

2305952

<https://www.phoenixcontact.com/us/products/2305952>



Assembled, halogen-free round cable; connection 1: IDC/FLK socket strip (1x 14-position); connection 2: IDC/FLK socket strip (1x 14-position); cable length: 0.5 m

# VFC-PT/FLK14/PLC - Interface module

1278798

<https://www.phoenixcontact.com/us/products/1278798>

## FLK 14/EZ-DR/HF/ 100/KONFEK - Cable

2305965

<https://www.phoenixcontact.com/us/products/2305965>



Assembled, halogen-free round cable; connection 1: IDC/FLK socket strip (1x 14-position); connection 2: IDC/FLK socket strip (1x 14-position); cable length: 1 m

---

## FLK 14/EZ-DR/HF/ 150/KONFEK - Cable

2305978

<https://www.phoenixcontact.com/us/products/2305978>



Assembled, halogen-free round cable; connection 1: IDC/FLK socket strip (1x 14-position); connection 2: IDC/FLK socket strip (1x 14-position); cable length: 1.5 m

# VFC-PT/FLK14/PLC - Interface module

1278798

<https://www.phoenixcontact.com/us/products/1278798>

## FLK 14/EZ-DR/HF/ 200/KONFEK - Cable

2305981

<https://www.phoenixcontact.com/us/products/2305981>



Assembled, halogen-free round cable; connection 1: IDC/FLK socket strip (1x 14-position); connection 2: IDC/FLK socket strip (1x 14-position); cable length: 2 m

---

## FLK 14/EZ-DR/HF/ 250/KONFEK - Cable

2305994

<https://www.phoenixcontact.com/us/products/2305994>



Assembled, halogen-free round cable; connection 1: IDC/FLK socket strip (1x 14-position); connection 2: IDC/FLK socket strip (1x 14-position); cable length: 2.5 m

# VFC-PT/FLK14/PLC - Interface module



1278798

<https://www.phoenixcontact.com/us/products/1278798>

## FLK 14/EZ-DR/HF/ 300/KONFEK - Cable

2304759

<https://www.phoenixcontact.com/us/products/2304759>



Assembled, halogen-free round cable; connection 1: IDC/FLK socket strip (1x 14-position); connection 2: IDC/FLK socket strip (1x 14-position); cable length: 3 m

---

## FLK 14/EZ-DR/HF/ 400/KONFEK - Cable

2304762

<https://www.phoenixcontact.com/us/products/2304762>



Assembled, halogen-free round cable; connection 1: IDC/FLK socket strip (1x 14-position); connection 2: IDC/FLK socket strip (1x 14-position); cable length: 4 m

# VFC-PT/FLK14/PLC - Interface module

1278798

<https://www.phoenixcontact.com/us/products/1278798>

## FLK 14/EZ-DR/HF/ 500/KONFEK - Cable

2304717

<https://www.phoenixcontact.com/us/products/2304717>



Assembled, halogen-free round cable; connection 1: IDC/FLK socket strip (1x 14-position); connection 2: IDC/FLK socket strip (1x 14-position); cable length: 5 m

---

## FLK 14/EZ-DR/HF/ 600/KONFEK - Cable

2306003

<https://www.phoenixcontact.com/us/products/2306003>



Assembled, halogen-free round cable; connection 1: IDC/FLK socket strip (1x 14-position); connection 2: IDC/FLK socket strip (1x 14-position); cable length: 6 m

# VFC-PT/FLK14/PLC - Interface module



1278798

<https://www.phoenixcontact.com/us/products/1278798>

## FLK 14-EZ-DR-HF/... - Cable

2314040

<https://www.phoenixcontact.com/us/products/2314040>



Assembled, halogen-free round cable; connection 1: IDC/FLK socket strip (1x 14-position); connection 2: IDC/FLK socket strip (1x 14-position); cable length: variable

---

## FLK 14/EZ-DR/ 50/KONFEK/S - Cable

2296977

<https://www.phoenixcontact.com/us/products/2296977>



Assembled shielded round cable; connection 1: IDC/FLK socket strip (1x 14-position); connection 2: IDC/FLK socket strip (1x 14-position) (The braided shield is routed to a separate cable end.); cable length: 0.5 m

# VFC-PT/FLK14/PLC - Interface module



1278798

<https://www.phoenixcontact.com/us/products/1278798>

## FLK 14/EZ-DR/ 100/KONFEK/S - Cable

2296980

<https://www.phoenixcontact.com/us/products/2296980>



Assembled shielded round cable; connection 1: IDC/FLK socket strip (1x 14-position); connection 2: IDC/FLK socket strip (1x 14-position) (The braided shield is routed to a separate cable end.); cable length: 1 m

---

## FLK 14/EZ-DR/ 120/KONFEK/S - Cable

2299071

<https://www.phoenixcontact.com/us/products/2299071>



Assembled shielded round cable; connection 1: IDC/FLK socket strip (1x 14-position); connection 2: IDC/FLK socket strip (1x 14-position) (The braided shield is routed to a separate cable end.); cable length: 1.2 m



# VFC-PT/FLK14/PLC - Interface module



1278798

<https://www.phoenixcontact.com/us/products/1278798>

## FLK 14/EZ-DR/ 150/KONFEK/S - Cable

2296993

<https://www.phoenixcontact.com/us/products/2296993>



Assembled shielded round cable; connection 1: IDC/FLK socket strip (1x 14-position); connection 2: IDC/FLK socket strip (1x 14-position) (The braided shield is routed to a separate cable end.); cable length: 1.5 m

---

## FLK 14/EZ-DR/ 180/KONFEK/S - Cable

2299084

<https://www.phoenixcontact.com/us/products/2299084>



Assembled shielded round cable; connection 1: IDC/FLK socket strip (1x 14-position); connection 2: IDC/FLK socket strip (1x 14-position) (The braided shield is routed to a separate cable end.); cable length: 1.8 m

# VFC-PT/FLK14/PLC - Interface module



1278798

<https://www.phoenixcontact.com/us/products/1278798>

## FLK 14/EZ-DR/ 200/KONFEK/S - Cable

2297002

<https://www.phoenixcontact.com/us/products/2297002>



Assembled shielded round cable; connection 1: IDC/FLK socket strip (1x 14-position); connection 2: IDC/FLK socket strip (1x 14-position) (The braided shield is routed to a separate cable end.); cable length: 2 m

---

## FLK 14/EZ-DR/ 300/KONFEK/S - Cable

2299013

<https://www.phoenixcontact.com/us/products/2299013>



Assembled shielded round cable; connection 1: IDC/FLK socket strip (1x 14-position); connection 2: IDC/FLK socket strip (1x 14-position) (The braided shield is routed to a separate cable end.); cable length: 3 m

# VFC-PT/FLK14/PLC - Interface module



1278798

<https://www.phoenixcontact.com/us/products/1278798>

## FLK 14/EZ-DR/ 400/KONFEK/S - Cable

2299026

<https://www.phoenixcontact.com/us/products/2299026>



Assembled shielded round cable; connection 1: IDC/FLK socket strip (1x 14-position); connection 2: IDC/FLK socket strip (1x 14-position) (The braided shield is routed to a separate cable end.); cable length: 4 m

---

## FLK 14/EZ-DR/ 600/KONFEK/S - Cable

2299039

<https://www.phoenixcontact.com/us/products/2299039>



Assembled shielded round cable; connection 1: IDC/FLK socket strip (1x 14-position); connection 2: IDC/FLK socket strip (1x 14-position) (The braided shield is routed to a separate cable end.); cable length: 6 m

# VFC-PT/FLK14/PLC - Interface module



1278798

<https://www.phoenixcontact.com/us/products/1278798>

## FLK 14/EZ-DR/ 800/KONFEK/S - Cable

2299042

<https://www.phoenixcontact.com/us/products/2299042>



Assembled shielded round cable; connection 1: IDC/FLK socket strip (1x 14-position); connection 2: IDC/FLK socket strip (1x 14-position) (The braided shield is routed to a separate cable end.); cable length: 8 m

---

## FLK 14/EZ-DR/1000/KONFEK/S - Cable

2299055

<https://www.phoenixcontact.com/us/products/2299055>



Assembled shielded round cable; connection 1: IDC/FLK socket strip (1x 14-position); connection 2: IDC/FLK socket strip (1x 14-position) (The braided shield is routed to a separate cable end.); cable length: 10 m

# VFC-PT/FLK14/PLC - Interface module

1278798

<https://www.phoenixcontact.com/us/products/1278798>

## FLK 50/4X14/EZ-DR/ 50/KONFEK - Cable

2296689

<https://www.phoenixcontact.com/us/products/2296689>



Round cable set; connection 1: IDC/FLK socket strip (1x 50-position); connection 2: IDC/FLK socket strip (4x 14-position); cable length: 0.5 m

---

## FLK 50/4X14/EZ-DR/ 100/KONFEK - Cable

2296692

<https://www.phoenixcontact.com/us/products/2296692>



Round cable set; connection 1: IDC/FLK socket strip (1x 50-position); connection 2: IDC/FLK socket strip (4x 14-position); cable length: 1 m

# VFC-PT/FLK14/PLC - Interface module

1278798

<https://www.phoenixcontact.com/us/products/1278798>

## FLK 50/4X14/EZ-DR/ 150/KONFEK - Cable

2296702

<https://www.phoenixcontact.com/us/products/2296702>



Round cable set; connection 1: IDC/FLK socket strip (1x 50-position); connection 2: IDC/FLK socket strip (4x 14-position); cable length: 1.5 m

---

## FLK 50/4X14/EZ-DR/ 200/KONFEK - Cable

2296715

<https://www.phoenixcontact.com/us/products/2296715>



Round cable set; connection 1: IDC/FLK socket strip (1x 50-position); connection 2: IDC/FLK socket strip (4x 14-position); cable length: 2 m

# VFC-PT/FLK14/PLC - Interface module

1278798

<https://www.phoenixcontact.com/us/products/1278798>

## FLK 50/4X14/EZ-DR/ 250/KONFEK - Cable

2305402

<https://www.phoenixcontact.com/us/products/2305402>



Round cable set; connection 1: IDC/FLK socket strip (1x 50-position); connection 2: IDC/FLK socket strip (4x 14-position); cable length: 2.5 m

---

## FLK 50/4X14/EZ-DR/ 300/KONFEK - Cable

2296728

<https://www.phoenixcontact.com/us/products/2296728>



Round cable set; connection 1: IDC/FLK socket strip (1x 50-position); connection 2: IDC/FLK socket strip (4x 14-position); cable length: 3 m

# VFC-PT/FLK14/PLC - Interface module

1278798

<https://www.phoenixcontact.com/us/products/1278798>

## FLK 50/4X14/EZ-DR/ 400/KONFEK - Cable

2296731

<https://www.phoenixcontact.com/us/products/2296731>



Round cable set; connection 1: IDC/FLK socket strip (1x 50-position); connection 2: IDC/FLK socket strip (4x 14-position); cable length: 4 m

---

## FLK 50/4X14/EZ-DR/ 600/KONFEK - Cable

2296744

<https://www.phoenixcontact.com/us/products/2296744>



Round cable set; connection 1: IDC/FLK socket strip (1x 50-position); connection 2: IDC/FLK socket strip (4x 14-position); cable length: 6 m



# VFC-PT/FLK14/PLC - Interface module

1278798

<https://www.phoenixcontact.com/us/products/1278798>

## FLK 50/4X14/EZ-DR/1000/KONFEK - Cable

2296773

<https://www.phoenixcontact.com/us/products/2296773>



Round cable set; connection 1: IDC/FLK socket strip (1x 50-position); connection 2: IDC/FLK socket strip (4x 14-position); cable length: 10 m

---

## FLK 50-4X14-EZ-DR ... - Cable

2302405

<https://www.phoenixcontact.com/us/products/2302405>



Round cable set; connection 1: IDC/FLK socket strip (1x 50-position); connection 2: IDC/FLK socket strip (4x 14-position); cable length: variable

# VFC-PT/FLK14/PLC - Interface module



1278798

<https://www.phoenixcontact.com/us/products/1278798>

## FLK 50-4X14-EZ-DR-S ... - Cable

2302447

<https://www.phoenixcontact.com/us/products/2302447>



Assembled shielded round cable; connection 1: IDC/FLK socket strip (1x 50-position); connection 2: IDC/FLK socket strip (4x 14-position) (The braided shield is routed to four separate cable ends.); cable length: variable

---

## FLK 20/2FLK14/EZ-DR/ 50/KONFEK - Cable

2305059

<https://www.phoenixcontact.com/us/products/2305059>



Round cable set; connection 1: IDC/FLK socket strip (1x 20-position); connection 2: IDC/FLK socket strip (2x 14-position); cable length: 0.5 m

# VFC-PT/FLK14/PLC - Interface module

1278798

<https://www.phoenixcontact.com/us/products/1278798>

## FLK 20/2FLK14/EZ-DR/100/KONFEK - Cable

2298470

<https://www.phoenixcontact.com/us/products/2298470>



Round cable set; connection 1: IDC/FLK socket strip (1x 20-position); connection 2: IDC/FLK socket strip (2x 14-position); cable length: 1 m

---

## FLK 20/2FLK14/EZ-DR/10M/KONFEK - Cable

2902708

<https://www.phoenixcontact.com/us/products/2902708>



Round cable set; connection 1: IDC/FLK socket strip (1x 20-position); connection 2: IDC/FLK socket strip (2x 14-position); cable length: 10 m

# VFC-PT/FLK14/PLC - Interface module



1278798

<https://www.phoenixcontact.com/us/products/1278798>

## FLK 20/2FLK14/EZ-DR/200/KONFEK - Cable

2298438

<https://www.phoenixcontact.com/us/products/2298438>



Round cable set; connection 1: IDC/FLK socket strip (1x 20-position); connection 2: IDC/FLK socket strip (2x 14-position); cable length: 2 m

---

## FLK 20/2FLK14/EZ-DR/300/KONFEK - Cable

2300818

<https://www.phoenixcontact.com/us/products/2300818>



Round cable set; connection 1: IDC/FLK socket strip (1x 20-position); connection 2: IDC/FLK socket strip (2x 14-position); cable length: 3 m

# VFC-PT/FLK14/PLC - Interface module

1278798

<https://www.phoenixcontact.com/us/products/1278798>

## FLK 20/2FLK14/EZ-DR/400/KONFEK - Cable

2305237

<https://www.phoenixcontact.com/us/products/2305237>



Round cable set; connection 1: IDC/FLK socket strip (1x 20-position); connection 2: IDC/FLK socket strip (2x 14-position); cable length: 4 m

---

## FLK 20/2FLK14/EZ-DR/500/KONFEK - Cable

2902707

<https://www.phoenixcontact.com/us/products/2902707>



Round cable set; connection 1: IDC/FLK socket strip (1x 20-position); connection 2: IDC/FLK socket strip (2x 14-position); cable length: 5 m

# VFC-PT/FLK14/PLC - Interface module



1278798

<https://www.phoenixcontact.com/us/products/1278798>

## FLK 20/2FLK14/EZ-DR/... - Cable

2304487

<https://www.phoenixcontact.com/us/products/2304487>



Round cable set; connection 1: IDC/FLK socket strip (1x 20-position); connection 2: IDC/FLK socket strip (2x 14-position); cable length: variable

---

## CABLE-FLK14/AXIO/OE/0,14/0,5M - Cable

1369888

<https://www.phoenixcontact.com/us/products/1369888>



Round cable set; controller: Axioline Realtime I/O; connection 1: Single wires (8-position) (The wires are marked and fitted with ferrules); connection 2: IDC/FLK socket strip (1x 14-position); cable length: 0.5 m

# VFC-PT/FLK14/PLC - Interface module

1278798

<https://www.phoenixcontact.com/us/products/1278798>

## CABLE-FLK14/AXIO/OE/0,14/1,0M - Cable

1369897

<https://www.phoenixcontact.com/us/products/1369897>



Round cable set; controller: Axioline Realtime I/O; connection 1: Single wires (8-position) (The wires are marked and fitted with ferrules); connection 2: IDC/FLK socket strip (1x 14-position); cable length: 1 m

---

## CABLE-FLK14/AXIO/OE/0,14/1,5M - Cable

1369902

<https://www.phoenixcontact.com/us/products/1369902>



Round cable set; controller: Axioline Realtime I/O; connection 1: Single wires (8-position) (The wires are marked and fitted with ferrules); connection 2: IDC/FLK socket strip (1x 14-position); cable length: 1.5 m

# VFC-PT/FLK14/PLC - Interface module

1278798

<https://www.phoenixcontact.com/us/products/1278798>

## CABLE-FLK14/AXIO/OE/0,14/2,0M - Cable

1369904

<https://www.phoenixcontact.com/us/products/1369904>



Round cable set; controller: Axioline Realtime I/O; connection 1: Single wires (8-position) (The wires are marked and fitted with ferrules); connection 2: IDC/FLK socket strip (1x 14-position); cable length: 2 m

---

## CABLE-FLK14/AXIO/OE/0,14/3,0M - Cable

1369905

<https://www.phoenixcontact.com/us/products/1369905>



Round cable set; controller: Axioline Realtime I/O; connection 1: Single wires (8-position) (The wires are marked and fitted with ferrules); connection 2: IDC/FLK socket strip (1x 14-position); cable length: 3 m



# VFC-PT/FLK14/PLC - Interface module



1278798

<https://www.phoenixcontact.com/us/products/1278798>

## CABLE-FLK14/AXIO/OE/0,14/4,0M - Cable

1369906

<https://www.phoenixcontact.com/us/products/1369906>



Round cable set; controller: Axioline Realtime I/O; connection 1: Single wires (8-position) (The wires are marked and fitted with ferrules); connection 2: IDC/FLK socket strip (1x 14-position); cable length: 4 m

---

## CABLE-FLK14/AXIO/OE/0,14/6,0M - Cable

1369909

<https://www.phoenixcontact.com/us/products/1369909>



Round cable set; controller: Axioline Realtime I/O; connection 1: Single wires (8-position) (The wires are marked and fitted with ferrules); connection 2: IDC/FLK socket strip (1x 14-position); cable length: 6 m

# VFC-PT/FLK14/PLC - Interface module

1278798

<https://www.phoenixcontact.com/us/products/1278798>

## CABLE-FLK14/OE/0,14/ 50 - Cable

2305761

<https://www.phoenixcontact.com/us/products/2305761>



Round cable set; connection 1: Single wires (14-position) (The wires are marked and fitted with ferrules); connection 2: IDC/FLK socket strip (1x 14-position); cable length: 0.5 m

---

## CABLE-FLK14/OE/0,14/ 100 - Cable

2305253

<https://www.phoenixcontact.com/us/products/2305253>



Round cable set; connection 1: Single wires (14-position) (The wires are marked and fitted with ferrules); connection 2: IDC/FLK socket strip (1x 14-position); cable length: 1 m

# VFC-PT/FLK14/PLC - Interface module

1278798

<https://www.phoenixcontact.com/us/products/1278798>

## CABLE-FLK14/OE/0,14/ 150 - Cable

2305266

<https://www.phoenixcontact.com/us/products/2305266>



Round cable set; connection 1: Single wires (14-position) (The wires are marked and fitted with ferrules); connection 2: IDC/FLK socket strip (1x 14-position); cable length: 1.5 m

---

## CABLE-FLK14/OE/0,14/ 200 - Cable

2305279

<https://www.phoenixcontact.com/us/products/2305279>



Round cable set; connection 1: Single wires (14-position) (The wires are marked and fitted with ferrules); connection 2: IDC/FLK socket strip (1x 14-position); cable length: 2 m

# VFC-PT/FLK14/PLC - Interface module

1278798

<https://www.phoenixcontact.com/us/products/1278798>

## CABLE-FLK14/OE/0,14/ 250 - Cable

2305282

<https://www.phoenixcontact.com/us/products/2305282>



Round cable set; connection 1: Single wires (14-position) (The wires are marked and fitted with ferrules); connection 2: IDC/FLK socket strip (1x 14-position); cable length: 2.5 m

---

## CABLE-FLK14/OE/0,14/ 300 - Cable

2305295

<https://www.phoenixcontact.com/us/products/2305295>



Round cable set; connection 1: Single wires (14-position) (The wires are marked and fitted with ferrules); connection 2: IDC/FLK socket strip (1x 14-position); cable length: 3 m

# VFC-PT/FLK14/PLC - Interface module

1278798

<https://www.phoenixcontact.com/us/products/1278798>

## CABLE-FLK14/OE/0,14/ 400 - Cable

2305774

<https://www.phoenixcontact.com/us/products/2305774>



Round cable set; connection 1: Single wires (14-position) (The wires are marked and fitted with ferrules); connection 2: IDC/FLK socket strip (1x 14-position); cable length: 4 m

---

## CABLE-FLK14/OE/0,14/ 600 - Cable

2305787

<https://www.phoenixcontact.com/us/products/2305787>



Round cable set; connection 1: Single wires (14-position) (The wires are marked and fitted with ferrules); connection 2: IDC/FLK socket strip (1x 14-position); cable length: 6 m

# VFC-PT/FLK14/PLC - Interface module

1278798

<https://www.phoenixcontact.com/us/products/1278798>

## CABLE-FLK14/OE/0,14/ 800 - Cable

2305790

<https://www.phoenixcontact.com/us/products/2305790>



Round cable set; connection 1: Single wires (14-position) (The wires are marked and fitted with ferrules); connection 2: IDC/FLK socket strip (1x 14-position); cable length: 8 m

---

## CABLE-FLK14/OE/0,14/1000 - Cable

2305800

<https://www.phoenixcontact.com/us/products/2305800>



Round cable set; connection 1: Single wires (14-position) (The wires are marked and fitted with ferrules); connection 2: IDC/FLK socket strip (1x 14-position); cable length: 10 m

# VFC-PT/FLK14/PLC - Interface module



1278798

<https://www.phoenixcontact.com/us/products/1278798>

## CABLE-FLK14/OE/0,14/... - Cable

2305732

<https://www.phoenixcontact.com/us/products/2305732>



Round cable set; connection 1: Single wires (14-position) (The wires are marked and fitted with ferrules); connection 2: IDC/FLK socket strip (1x 14-position); cable length: variable

---

Phoenix Contact 2023 © - all rights reserved

<https://www.phoenixcontact.com>

Phoenix Contact USA  
586 Fulling Mill Road  
Middletown, PA 17057, United States  
(+717) 944-1300  
[info@phoenixcon.com](mailto:info@phoenixcon.com)