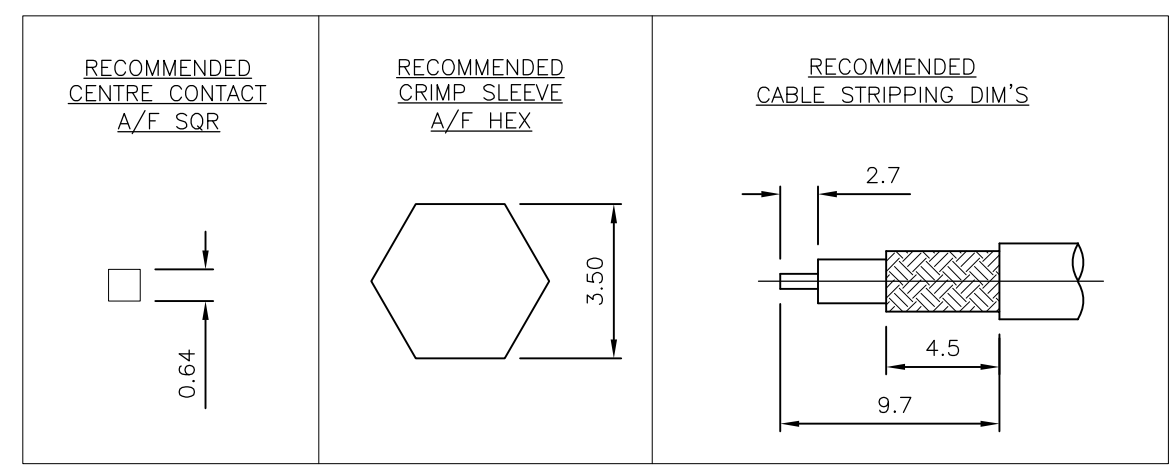
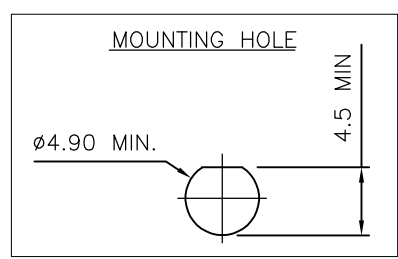
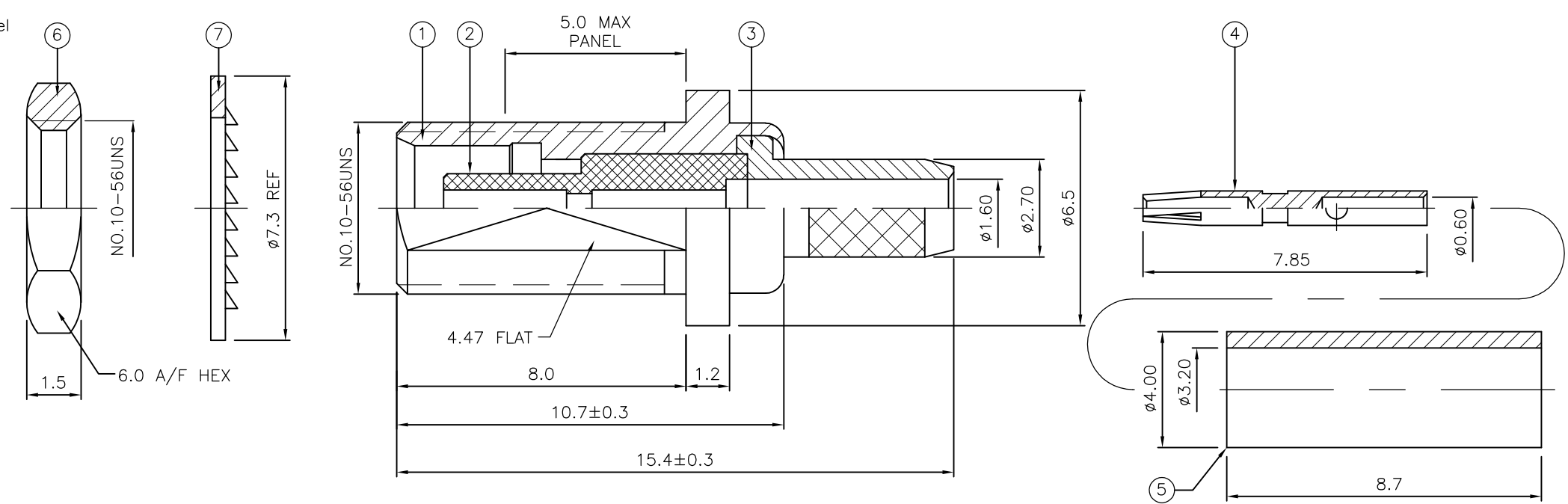


THIS DRAWING IS UNPUBLISHED. RELEASED FOR PUBLICATION FEB ,2006.
 © COPYRIGHT 2006 By - ALL RIGHTS RESERVED.

REVISIONS				
P	LTR	DESCRIPTION	DATE	APVD
D		PER ECO-14-000522	10MAY14	RZ MY

- NOTES:**
- ① PACK IN ACCORDANCE WITH AMP SPEC 107-3275
 - ② 100 TRAY PACK IN ACCORDANCE WITH AMP SPEC 107-3275
 - ③ Au PLATING
 - 4 HAND TOOL : 9-1478240-0
 - 5 DIE SET : 9-1478248-0
 - 6 ELECTRICAL CHARACTERISTICS
 FREQUENCY RANGE: DC - 6 GHz
 NOMINAL IMPEDANCE: 50 Ohm
 INSULATION RESISTANCE: 1000 MOhm
 WORKING VOLTAGE: 335 Volts RMS at Sea Level
 DIELECTRIC WITHSTAND VOLTAGE: 1000 Volts RMS Max
 CONTACT RESISTANCE:
 CENTER CONTACT: 5.00 mOhm Max
 OUTER CONTACT: 1.00 mOhm Max
 VSWR @ 4GHz: 1.35:1 Max
 INSERTION LOSS dB @ x 1.0 GHz: 0.10 Max
 - 7 MECHANICAL CHARACTERISTICS
 COUPLING NUT RETENTION FORCE: N/A
 CABLE RETENTION FORCE:
 "RG174A/U, 188A/U, 316/U, URM95:" 85N Min
 "RG178B/U, 196A/U:" 25N Min
 MOUNT NUT RECOMMENDED TORQUE: 0.75 Nm
 DURABILITY: 500 Cycles Min
 - 8 ENVIRONMENTAL CHARACTERISTICS
 OPERATING TEMPERATURE: -55 to +155 DegC



QTY	QTY	MATERIAL	NOTE	DESCRIPTION	ITEM
1	1	BRASS	③	LOCKWASHER	7
1	1	BRASS	③	HEXAGONAL NUT	6
1	1	BRASS	③	FERRULE	5
1	1	BERYLLIUM COPPER	③	CONTACT	4
1	1	BRASS	③	CHASSIS	3
1	1	PTFE		INSULATION	2
1	1	BRASS	③	BODY	1
6--0	1--0	MATERIAL		DESCRIPTION	ITEM

THIS DRAWING IS A CONTROLLED DOCUMENT.

DWN J.SANDWELL 06FEB06	TE Connectivity NAME MCX BULKHEAD JACK REAR MOUNT CRIMP 50 OHM RG174A/U, 188A/U, 316/U, URM95, KX3B, KX22A SIZE A300779 CAGE CODE C-1337588 DRAWING NO RESTRICTED TO -			
CHK S.PARLOW 06FEB06				
APVD F.WHEELER-KING 06FEB06				
PRODUCT SPEC -				
APPLICATION SPEC 411-3247	WEIGHT -			
MATERIAL SEE TABLE	FINISH -			
CUSTOMER DRAWING		SCALE NTS	SHEET 1 OF 1	REV D