



Since 1959

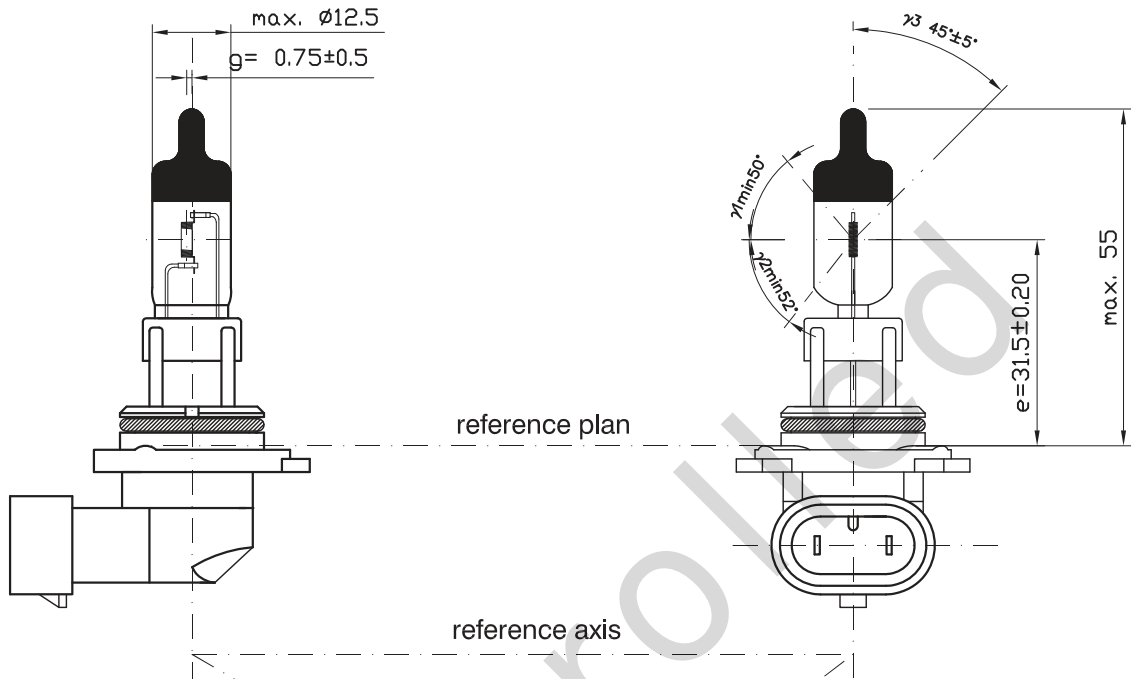
Product Information Sheet

HB4 (9006) 12V 51W

9006

2022. 08. 23 NEW

2018. 04. 09 OLD



* all dimensions in mm

Halogen bulb	
HB4 12V 55W	
Cap: ¹⁾	P22d
Type:	9006
ECE R37	(E1) 2A18
FMVSS108	DOT
Bulb mat.: Hardglass	

Technical data	R37	FMVSS108
Test voltage	13.2V	12.8V
Power	62W max.	60W max.
Luminous flux	1095lm $\pm 15\%$	1000lm $\pm 15\%$
Lumen maintenance	85 % min (after 1650hr)	85 % min (after 750hr)
Rated life:	^{4) 5)} at 13.2V Tc: 2200 hr B50: 1950 hr B3: 1000 hr	^{2) 3)} at 14.0V B70: 1100 hr B50: 1000 hr B10: 650 hr

1) According to IEC 60061-1 sheet 7004-32-2
2) According to SAE J 1383 Annex 5.20
3) Switching cycle according to SAE J 1383 5.20.2
4) According to IEC 60810 Annex A
5) Switching cycle according to IEC 60810 Annex A;4.1.1
6) Switching cycle according to IEC 60810 Annex A;4.1.2
7) Switching cycle according to IEC 60810 Annex A;4.2

Maximum operating temperature:	1: bulb 650°C max 2: pinch 400°C max
Vibration resistance acc. to IEC 60810 Annex B; table B.2	> 20h