

Ratings

Voltage: 300 V
 Temperature: -40~105 °C
 Flammability: VW-1

Conductor

Conductor count: 8
 Gauge: 24 AWG 0.2 mm²
 Material: tinned copper strands
 Strand size: $\varnothing 0.1 \text{ mm} \times 26$
 Resistance at 20 °C: 94.2 Ω /km max

Insulator

Material: FEP
 Color: red, black, white, yellow, blue, green, orange, purple
 Diameter: $\varnothing 0.92 \pm 0.10$
 Nominal thickness: 0.13 mm
 Resistance at 20 °C: 10 M Ω /km min

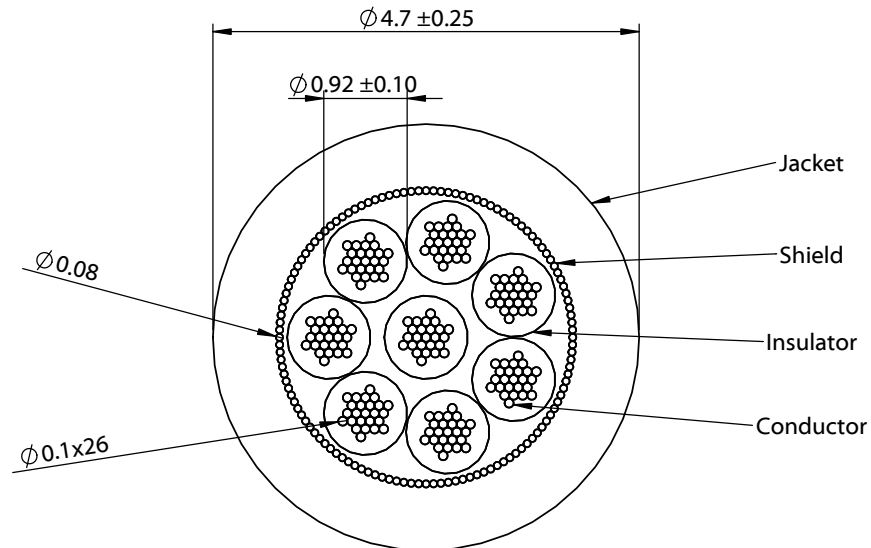
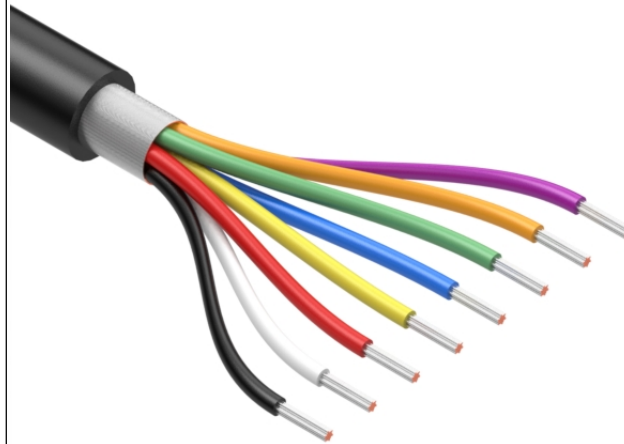
Shield

Material: tinned copper strands
 Strand size: $\varnothing 0.08 \text{ mm}$, 85% min coverage

Outer jacket

Material: TPE, 78A
 Color: black, matte
 Diameter: $\varnothing 4.7 \pm 0.25$
 Nominal thickness: 0.6 mm

Wire marking: E339579 UL AWM STYLE 21296 24 AWG 105°C
 300V VW-1 --- cUL AWM I A 105°C 300V FT1 TENSILITY DGT



Revision:	Date:	Description:
A	10/27/2021	Initial release

Prepared: **PB**
Digitally signed by PB
 Date: 2021.11.01
 10:45:20 -07'00'

Verified: **JD**
Digitally signed by JD
 Date: 2021.11.03
 15:36:52 -07'00'

Dimensions are in millimeters.
 Tolerances:
 X: $\pm 0.5 \text{ mm}$
 X.X: $\pm 0.3 \text{ mm}$
 X.XX: $\pm 0.05 \text{ mm}$

Notes:
 RoHS compliant
 Phthalate free
 Function test: no open, no short circuit, no intermittent

Description:
 Wire, 8C TS, 24 AWG, UL 21296, 300V, 105C, 4.7 mm, shielded, VW-1, TPE

TENSILITY

tel 1.541.323.3228 800 877.670.7118
 fax 1.541.323.4202 web tensility.com

Size: A	Part number: 30-02461
Scale: 12:1	

Sheet 1 of 1