

To our customers,

Old Company Name in Catalogs and Other Documents

On April 1st, 2010, NEC Electronics Corporation merged with Renesas Technology Corporation, and Renesas Electronics Corporation took over all the business of both companies. Therefore, although the old company name remains in this document, it is a valid Renesas Electronics document. We appreciate your understanding.

Renesas Electronics website: <http://www.renesas.com>

April 1st, 2010
Renesas Electronics Corporation

Issued by: Renesas Electronics Corporation (<http://www.renesas.com>)

Send any inquiries to <http://www.renesas.com/inquiry>.

Notice

1. All information included in this document is current as of the date this document is issued. Such information, however, is subject to change without any prior notice. Before purchasing or using any Renesas Electronics products listed herein, please confirm the latest product information with a Renesas Electronics sales office. Also, please pay regular and careful attention to additional and different information to be disclosed by Renesas Electronics such as that disclosed through our website.
2. Renesas Electronics does not assume any liability for infringement of patents, copyrights, or other intellectual property rights of third parties by or arising from the use of Renesas Electronics products or technical information described in this document. No license, express, implied or otherwise, is granted hereby under any patents, copyrights or other intellectual property rights of Renesas Electronics or others.
3. You should not alter, modify, copy, or otherwise misappropriate any Renesas Electronics product, whether in whole or in part.
4. Descriptions of circuits, software and other related information in this document are provided only to illustrate the operation of semiconductor products and application examples. You are fully responsible for the incorporation of these circuits, software, and information in the design of your equipment. Renesas Electronics assumes no responsibility for any losses incurred by you or third parties arising from the use of these circuits, software, or information.
5. When exporting the products or technology described in this document, you should comply with the applicable export control laws and regulations and follow the procedures required by such laws and regulations. You should not use Renesas Electronics products or the technology described in this document for any purpose relating to military applications or use by the military, including but not limited to the development of weapons of mass destruction. Renesas Electronics products and technology may not be used for or incorporated into any products or systems whose manufacture, use, or sale is prohibited under any applicable domestic or foreign laws or regulations.
6. Renesas Electronics has used reasonable care in preparing the information included in this document, but Renesas Electronics does not warrant that such information is error free. Renesas Electronics assumes no liability whatsoever for any damages incurred by you resulting from errors in or omissions from the information included herein.
7. Renesas Electronics products are classified according to the following three quality grades: “Standard”, “High Quality”, and “Specific”. The recommended applications for each Renesas Electronics product depends on the product’s quality grade, as indicated below. You must check the quality grade of each Renesas Electronics product before using it in a particular application. You may not use any Renesas Electronics product for any application categorized as “Specific” without the prior written consent of Renesas Electronics. Further, you may not use any Renesas Electronics product for any application for which it is not intended without the prior written consent of Renesas Electronics. Renesas Electronics shall not be in any way liable for any damages or losses incurred by you or third parties arising from the use of any Renesas Electronics product for an application categorized as “Specific” or for which the product is not intended where you have failed to obtain the prior written consent of Renesas Electronics. The quality grade of each Renesas Electronics product is “Standard” unless otherwise expressly specified in a Renesas Electronics data sheets or data books, etc.
 - “Standard”: Computers; office equipment; communications equipment; test and measurement equipment; audio and visual equipment; home electronic appliances; machine tools; personal electronic equipment; and industrial robots.
 - “High Quality”: Transportation equipment (automobiles, trains, ships, etc.); traffic control systems; anti-disaster systems; anti-crime systems; safety equipment; and medical equipment not specifically designed for life support.
 - “Specific”: Aircraft; aerospace equipment; submersible repeaters; nuclear reactor control systems; medical equipment or systems for life support (e.g. artificial life support devices or systems), surgical implantations, or healthcare intervention (e.g. excision, etc.), and any other applications or purposes that pose a direct threat to human life.
8. You should use the Renesas Electronics products described in this document within the range specified by Renesas Electronics, especially with respect to the maximum rating, operating supply voltage range, movement power voltage range, heat radiation characteristics, installation and other product characteristics. Renesas Electronics shall have no liability for malfunctions or damages arising out of the use of Renesas Electronics products beyond such specified ranges.
9. Although Renesas Electronics endeavors to improve the quality and reliability of its products, semiconductor products have specific characteristics such as the occurrence of failure at a certain rate and malfunctions under certain use conditions. Further, Renesas Electronics products are not subject to radiation resistance design. Please be sure to implement safety measures to guard them against the possibility of physical injury, and injury or damage caused by fire in the event of the failure of a Renesas Electronics product, such as safety design for hardware and software including but not limited to redundancy, fire control and malfunction prevention, appropriate treatment for aging degradation or any other appropriate measures. Because the evaluation of microcomputer software alone is very difficult, please evaluate the safety of the final products or system manufactured by you.
10. Please contact a Renesas Electronics sales office for details as to environmental matters such as the environmental compatibility of each Renesas Electronics product. Please use Renesas Electronics products in compliance with all applicable laws and regulations that regulate the inclusion or use of controlled substances, including without limitation, the EU RoHS Directive. Renesas Electronics assumes no liability for damages or losses occurring as a result of your noncompliance with applicable laws and regulations.
11. This document may not be reproduced or duplicated, in any form, in whole or in part, without prior written consent of Renesas Electronics.
12. Please contact a Renesas Electronics sales office if you have any questions regarding the information contained in this document or Renesas Electronics products, or if you have any other inquiries.

(Note 1) “Renesas Electronics” as used in this document means Renesas Electronics Corporation and also includes its majority-owned subsidiaries.

(Note 2) “Renesas Electronics product(s)” means any product developed or manufactured by or for Renesas Electronics.



User's Manual

V850ES/HJ2

32-bit Single-Chip Microcontrollers

Hardware

PD70F3709

PD70F3710

PD70F3711

PD70F3712

Document No. U17717EJ3V0UD00 (3rd edition)
Date Published March 2007 N CP(K)

© NEC Electronics Corporation 2005
Printed in Japan

[MEMO]

① VOLTAGE APPLICATION WAVEFORM AT INPUT PIN

Waveform distortion due to input noise or a reflected wave may cause malfunction. If the input of the CMOS device stays in the area between V_{IL} (MAX) and V_{IH} (MIN) due to noise, etc., the device may malfunction. Take care to prevent chattering noise from entering the device when the input level is fixed, and also in the transition period when the input level passes through the area between V_{IL} (MAX) and V_{IH} (MIN).

② HANDLING OF UNUSED INPUT PINS

Unconnected CMOS device inputs can be cause of malfunction. If an input pin is unconnected, it is possible that an internal input level may be generated due to noise, etc., causing malfunction. CMOS devices behave differently than Bipolar or NMOS devices. Input levels of CMOS devices must be fixed high or low by using pull-up or pull-down circuitry. Each unused pin should be connected to V_{DD} or GND via a resistor if there is a possibility that it will be an output pin. All handling related to unused pins must be judged separately for each device and according to related specifications governing the device.

③ PRECAUTION AGAINST ESD

A strong electric field, when exposed to a MOS device, can cause destruction of the gate oxide and ultimately degrade the device operation. Steps must be taken to stop generation of static electricity as much as possible, and quickly dissipate it when it has occurred. Environmental control must be adequate. When it is dry, a humidifier should be used. It is recommended to avoid using insulators that easily build up static electricity. Semiconductor devices must be stored and transported in an anti-static container, static shielding bag or conductive material. All test and measurement tools including work benches and floors should be grounded. The operator should be grounded using a wrist strap. Semiconductor devices must not be touched with bare hands. Similar precautions need to be taken for PW boards with mounted semiconductor devices.

④ STATUS BEFORE INITIALIZATION

Power-on does not necessarily define the initial status of a MOS device. Immediately after the power source is turned ON, devices with reset functions have not yet been initialized. Hence, power-on does not guarantee output pin levels, I/O settings or contents of registers. A device is not initialized until the reset signal is received. A reset operation must be executed immediately after power-on for devices with reset functions.

⑤ POWER ON/OFF SEQUENCE

In the case of a device that uses different power supplies for the internal operation and external interface, as a rule, switch on the external power supply after switching on the internal power supply. When switching the power supply off, as a rule, switch off the external power supply and then the internal power supply. Use of the reverse power on/off sequences may result in the application of an overvoltage to the internal elements of the device, causing malfunction and degradation of internal elements due to the passage of an abnormal current.

The correct power on/off sequence must be judged separately for each device and according to related specifications governing the device.

⑥ INPUT OF SIGNAL DURING POWER OFF STATE

Do not input signals or an I/O pull-up power supply while the device is not powered. The current injection that results from input of such a signal or I/O pull-up power supply may cause malfunction and the abnormal current that passes in the device at this time may cause degradation of internal elements. Input of signals during the power off state must be judged separately for each device and according to related specifications governing the device.

IECUBE is a registered trademark of NEC Electronics Corporation in Japan and Germany.

MINICUBE is a registered trademark of NEC Electronics Corporation in Japan and Germany or a trademark in the United States of America.

Applilet is a registered trademark of NEC Electronics in Japan, Germany, Hong Kong, China, the Republic of Korea, the United Kingdom, and the United States of America.

Windows and Windows NT are either registered trademarks or trademarks of Microsoft Corporation in the United States and/or other countries.

PC/AT is a trademark of International Business Machines Corporation.

SPARCstation is a trademark of SPARC International, Inc.

Solaris and SunOS are trademarks of Sun Microsystems, Inc.

TRON is an abbreviation of The Real-Time Operating system Nucleus.

ITRON is an abbreviation of Industrial TRON.

• **The information in this document is current as of August, 2006. The information is subject to change without notice. For actual design-in, refer to the latest publications of NEC Electronics data sheets or data books, etc., for the most up-to-date specifications of NEC Electronics products. Not all products and/or types are available in every country. Please check with an NEC Electronics sales representative for availability and additional information.**

- No part of this document may be copied or reproduced in any form or by any means without the prior written consent of NEC Electronics. NEC Electronics assumes no responsibility for any errors that may appear in this document.
- NEC Electronics does not assume any liability for infringement of patents, copyrights or other intellectual property rights of third parties by or arising from the use of NEC Electronics products listed in this document or any other liability arising from the use of such products. No license, express, implied or otherwise, is granted under any patents, copyrights or other intellectual property rights of NEC Electronics or others.
- Descriptions of circuits, software and other related information in this document are provided for illustrative purposes in semiconductor product operation and application examples. The incorporation of these circuits, software and information in the design of a customer's equipment shall be done under the full responsibility of the customer. NEC Electronics assumes no responsibility for any losses incurred by customers or third parties arising from the use of these circuits, software and information.
- While NEC Electronics endeavors to enhance the quality, reliability and safety of NEC Electronics products, customers agree and acknowledge that the possibility of defects thereof cannot be eliminated entirely. To minimize risks of damage to property or injury (including death) to persons arising from defects in NEC Electronics products, customers must incorporate sufficient safety measures in their design, such as redundancy, fire-containment and anti-failure features.
- NEC Electronics products are classified into the following three quality grades: "Standard", "Special" and "Specific".

The "Specific" quality grade applies only to NEC Electronics products developed based on a customer-designated "quality assurance program" for a specific application. The recommended applications of an NEC Electronics product depend on its quality grade, as indicated below. Customers must check the quality grade of each NEC Electronics product before using it in a particular application.

"Standard": Computers, office equipment, communications equipment, test and measurement equipment, audio and visual equipment, home electronic appliances, machine tools, personal electronic equipment and industrial robots.

"Special": Transportation equipment (automobiles, trains, ships, etc.), traffic control systems, anti-disaster systems, anti-crime systems, safety equipment and medical equipment (not specifically designed for life support).

"Specific": Aircraft, aerospace equipment, submersible repeaters, nuclear reactor control systems, life support systems and medical equipment for life support, etc.

The quality grade of NEC Electronics products is "Standard" unless otherwise expressly specified in NEC Electronics data sheets or data books, etc. If customers wish to use NEC Electronics products in applications not intended by NEC Electronics, they must contact an NEC Electronics sales representative in advance to determine NEC Electronics' willingness to support a given application.

(Note)

- (1) "NEC Electronics" as used in this statement means NEC Electronics Corporation and also includes its majority-owned subsidiaries.
- (2) "NEC Electronics products" means any product developed or manufactured by or for NEC Electronics (as defined above).

PREFACE

Readers This manual is intended for users who wish to understand the functions of the V850ES/HJ2 and design application systems using the V850ES/HJ2.

Purpose This manual is intended to give users an understanding of the hardware functions of the V850ES/HJ2 shown in the **Organization** below.

Organization This manual is divided into two parts: Hardware (this manual) and Architecture (**V850ES Architecture User's Manual**).

Hardware

- Pin functions
- CPU function
- On-chip peripheral functions
- Flash memory programming
- Electrical specifications

Architecture

- Data types
- Register set
- Instruction format and instruction set
- Interrupts and exceptions
- Pipeline operation

How to Read This Manual It is assumed that the readers of this manual have general knowledge in the fields of electrical engineering, logic circuits, and microcontrollers.

To understand the overall functions of the V850ES/HJ2

→ Read this manual according to the **CONTENTS**.

To find the details of a register where the name is known

→ Use **APPENDIX B REGISTER INDEX**.

To understand the details of an instruction function

→ Refer to the **V850ES Architecture User's Manual** available separately.

To know the electrical specifications of the V850ES/HJ2

→ See **CHAPTER 27 ELECTRICAL SPECIFICATIONS**.

The “yyy bit of the xxx register” is described as the “xxx.yyy bit” in this manual. Note with caution that if “xxx.yyy” is described as is in a program, however, the compiler/assembler cannot recognize it correctly.

The mark <R> shows major revised points. The revised points can be easily searched by copying an “<R>” in the PDF file and specifying it in the “Find what.” field.

Conventions

Data significance:	Higher digits on the left and lower digits on the right
Active low representation:	$\overline{\text{xxx}}$ (overscore over pin or signal name)
Memory map address:	Higher addresses on the top and lower addresses on the bottom
Note:	Footnote for item marked with Note in the text
Caution:	Information requiring particular attention
Remark:	Supplementary information
Numeric representation:	Binary ... xxxx or xxxxB Decimal ... xxxx Hexadecimal ... xxxxH
Prefix indicating power of 2 (address space, memory capacity):	K (kilo): $2^{10} = 1,024$ M (mega): $2^{20} = 1,024^2$ G (giga): $2^{30} = 1,024^3$

Related Documents

The related documents indicated in this publication may include preliminary versions. However, preliminary versions are not marked as such.

Documents related to V850ES/HJ2

Document Name	Document No.
V850ES Architecture User's Manual	U15943E
V850ES/HJ2 Hardware User's Manual	This manual

Documents related to development tools (user's manuals)

Document Name	Document No.	
QB-V850MINI On-Chip Debug Emulator	U17638E	
QB-MINI2 On-Chip Debug Emulator with Flash Programming Function	To be prepared	
CA850 Ver. 3.00 C Compiler Package	Operation	U17293E
	C Language	U17291E
	Assembly Language	U17292E
	Link Directives	U17294E
PM+ Ver. 6.20 Project Manager	U17990E	
ID850QB Ver. 3.20 Integrated Debugger	Operation	U17964E
SM850 Ver. 2.50 System Simulator	Operation	U16218E
SM850 Ver. 2.00 or Later System Simulator	External Part User Open Interface Specification	U14873E
SM+ System Simulator	Operation	U17246E
	User Open Interface Specification	U17247E
RX850 Ver. 3.20 Real-Time OS	Basics	U13430E
	Installation	U17419E
	Technical	U13431E
	Task Debugger	U17420E
RX850 Pro Ver. 3.20 Real-Time OS	Basics	U13773E
	Installation	U17421E
	Technical	U13772E
	Task Debugger	U17422E
AZ850 Ver. 3.30 System Performance Analyzer	U17423E	
PG-FP4 Flash Memory Programmer	U15260E	

CONTENTS

CHAPTER 1 INTRODUCTION	18
1.1 General	18
1.2 Features.....	20
1.3 Application Fields	21
1.4 Ordering Information	21
1.5 Pin Configuration (Top View).....	22
1.6 Function Block Configuration.....	24
1.6.1 Internal block diagram	24
1.6.2 Internal units.....	25
CHAPTER 2 PIN FUNCTIONS.....	27
2.1 Pin Function List	27
2.2 Pin Status	35
2.3 Description of Pin Functions	36
2.4 Pin I/O Circuit Types and Recommended Connection of Unused Pins	45
2.5 Pin I/O Circuits.....	48
2.6 Cautions	49
CHAPTER 3 CPU FUNCTION.....	50
3.1 Features.....	50
3.2 CPU Register Set.....	51
3.2.1 Program register set.....	52
3.2.2 System register set.....	53
3.3 Operation Modes	59
3.3.1 Specifying operation mode	59
3.4 Address Space	60
3.4.1 CPU address space.....	60
3.4.2 Wraparound of CPU address space	61
3.4.3 Memory map.....	62
3.4.4 Areas	64
3.4.5 Recommended use of address space	68
3.4.6 Peripheral I/O registers.....	71
3.4.7 Special registers	82
3.4.8 Cautions	86
CHAPTER 4 PORT FUNCTIONS.....	89
4.1 Features.....	89
4.2 Basic Configuration of Ports	89
4.3 Port Functions	91
4.3.1 Operation of port function	91
4.3.2 Notes on setting port pins	92
4.3.3 Port 0.....	93
4.3.4 Port 1	97
4.3.5 Port 3.....	100
4.3.6 Port 4.....	106

4.3.7	Port 5	109
4.3.8	Port 6	115
4.3.9	Port 7	122
4.3.10	Port 8	124
4.3.11	Port 9	127
4.3.12	Port 12	137
4.3.13	Port CD	139
4.3.14	Port CM	141
4.3.15	Port CS	144
4.3.16	Port CT	147
4.3.17	Port DL	150
4.3.18	Port pins that function alternately as on-chip debug function	153
4.3.19	Register settings to use port pins as alternate-function pins	154
4.4	Block Diagrams of Port	161
4.5	Cautions	190
4.5.1	Cautions on setting port pins	190
CHAPTER 5 BUS CONTROL FUNCTION		191
5.1	Features	191
5.2	Bus Control Pins	192
5.2.1	Pin status when internal ROM, internal RAM, or on-chip peripheral I/O is accessed	192
5.2.2	Pin status in each operation mode	192
5.3	Memory Block Function	193
5.4	Bus Access	194
5.4.1	Number of clocks for access	194
5.4.2	Bus size setting function	194
5.4.3	Access by bus size	195
5.5	Wait Function	202
5.5.1	Programmable wait function	202
5.5.2	External wait function	203
5.5.3	Relationship between programmable wait and external wait	203
5.5.4	Programmable address wait function	204
5.6	Idle State Insertion Function	205
5.7	Bus Hold Function	206
5.7.1	Functional outline	206
5.7.2	Bus hold procedure	207
5.7.3	Operation in power save mode	207
5.8	Bus Priority	208
5.9	Bus Timing	209
CHAPTER 6 CLOCK GENERATION FUNCTION		212
6.1	Overview	212
6.2	Configuration	213
6.3	Registers	215
6.4	Operation	220
6.4.1	Operation of each clock	220
6.4.2	Clock output function	220
6.5	PLL Function	221

6.5.1	Overview	221
6.5.2	Registers	221
6.5.3	Usage	225
CHAPTER 7 16-BIT TIMER/EVENT COUNTER P (TMP)		226
7.1	Overview.....	226
7.2	Functions	226
7.3	Configuration.....	227
7.4	Registers	229
7.5	Operation.....	243
7.5.1	Interval timer mode (TPnMD2 to TPnMD0 bits = 000).....	244
7.5.2	External event count mode (TPnMD2 to TPnMD0 bits = 001)	254
7.5.3	External trigger pulse output mode (TPnMD2 to TPnMD0 bits = 010).....	262
7.5.4	One-shot pulse output mode (TPnMD2 to TPnMD0 bits = 011)	274
7.5.5	PWM output mode (TPnMD2 to TPnMD0 bits = 100).....	281
7.5.6	Free-running timer mode (TPnMD2 to TPnMD0 bits = 101)	290
7.5.7	Pulse width measurement mode (TPnMD2 to TPnMD0 bits = 110)	307
7.5.8	Timer output operations.....	313
7.6	Timer Tuned Operation Function	314
7.7	Selector Function	318
7.8	Cautions	320
CHAPTER 8 16-BIT TIMER/EVENT COUNTER Q (TMQ)		321
8.1	Overview.....	321
8.2	Functions	321
8.3	Configuration.....	322
8.4	Registers	325
8.5	Operation.....	343
8.5.1	Interval timer mode (TQnMD2 to TQnMD0 bits = 000).....	344
8.5.2	External event count mode (TQnMD2 to TQnMD0 bits = 001)	353
8.5.3	External trigger pulse output mode (TQnMD2 to TQnMD0 bits = 010).....	362
8.5.4	One-shot pulse output mode (TQnMD2 to TQnMD0 bits = 011)	375
8.5.5	PWM output mode (TQnMD2 to TQnMD0 bits = 100).....	384
8.5.6	Free-running timer mode (TQnMD2 to TQnMD0 bits = 101)	395
8.5.7	Pulse width measurement mode (TQnMD2 to TQnMD0 bits = 110).....	415
8.5.8	Triangular wave PWM mode (TQnMD2 to TQnMD0 = 111).....	421
8.5.9	Timer output operations.....	422
8.6	Timer Tuned Operation Function	423
8.7	Cautions	427
CHAPTER 9 16-BIT INTERVAL TIMER M (TMM).....		428
9.1	Overview.....	428
9.2	Configuration	429
9.3	Register	430
9.4	Operation.....	431
9.4.1	Interval timer mode.....	431
9.4.2	Cautions	435

CHAPTER 10 WATCH TIMER FUNCTIONS	436
10.1 Functions.....	436
10.2 Configuration	437
10.3 Registers	439
10.4 Operation.....	443
10.4.1 Operation as watch timer	443
10.4.2 Operation as interval timer.....	444
10.4.3 Cautions.....	445
CHAPTER 11 FUNCTIONS OF WATCHDOG TIMER 2.....	446
11.1 Functions.....	446
11.2 Configuration	447
11.3 Registers	448
11.4 Operation.....	451
CHAPTER 12 A/D CONVERTER	452
12.1 Overview.....	452
12.2 Functions.....	452
12.3 Configuration	453
12.4 Registers	456
12.5 Operation.....	464
12.5.1 Basic operation	464
12.5.2 Trigger mode	465
12.5.3 Operation mode	467
12.5.4 Power-fail compare mode.....	471
12.6 Cautions	476
12.7 How to Read A/D Converter Characteristics Table.....	480
CHAPTER 13 ASYNCHRONOUS SERIAL INTERFACE A (UARTA).....	484
13.1 Features.....	485
13.2 Configuration	486
13.3 Registers	488
13.4 Interrupt Request Signals.....	494
13.5 Operation.....	495
13.5.1 Data format.....	495
13.5.2 SBF transmission/reception format.....	497
13.5.3 SBF transmission.....	499
13.5.4 SBF reception.....	500
13.5.5 UART transmission.....	501
13.5.6 Continuous transmission procedure.....	502
13.5.7 UART reception	504
13.5.8 Reception errors	505
13.5.9 Parity types and operations	507
13.5.10 Receive data noise filter.....	508
13.6 Dedicated Baud Rate Generator	509
13.7 Cautions	517
CHAPTER 14 3-WIRE VARIABLE-LENGTH SERIAL I/O (CSIB).....	518

14.1	Features	518
14.2	Configuration	519
14.3	Registers	521
14.4	Interrupt Request Signals	528
14.5	Operation	529
14.5.1	Single transfer mode (master mode, transmission mode)	529
14.5.2	Single transfer mode (master mode, reception mode).....	531
14.5.3	Single transfer mode (master mode, transmission/reception mode).....	533
14.5.4	Single transfer mode (slave mode, transmission mode)	535
14.5.5	Single transfer mode (slave mode, reception mode)	537
14.5.6	Single transfer mode (slave mode, transmission/reception mode)	539
14.5.7	Continuous transfer mode (master mode, transmission mode)	541
14.5.8	Continuous transfer mode (master mode, reception mode).....	543
14.5.9	Continuous transfer mode (master mode, transmission/reception mode).....	546
14.5.10	Continuous transfer mode (slave mode, transmission mode).....	550
14.5.11	Continuous transfer mode (slave mode, reception mode)	552
14.5.12	Continuous transfer mode (slave mode, transmission/reception mode)	555
14.5.13	Reception error.....	559
14.5.14	Clock timing	560
14.6	Output Pin Status with Operation Disabled	562
14.7	Baud Rate Generator	563
14.7.1	Baud rate generation	564
14.8	Cautions	565
CHAPTER 15 DMA FUNCTION (DMA CONTROLLER)		566
15.1	Features	566
15.2	Configuration	567
15.3	Registers	568
15.4	Transfer Targets	576
15.5	Transfer Modes	576
15.6	Transfer Types	577
15.7	DMA Channel Priorities	578
15.8	Time Related to DMA Transfer	578
15.9	DMA Transfer Start Factors	579
15.10	DMA Abort Factors	580
15.11	End of DMA Transfer	580
15.12	Operation Timing	580
15.13	Cautions	585
CHAPTER 16 INTERRUPT/EXCEPTION PROCESSING FUNCTION		590
16.1	Features	590
16.2	Non-Maskable Interrupts	594
16.2.1	Operation.....	596
16.2.2	Restore.....	597
16.2.3	NP flag.....	598
16.3	Maskable Interrupts	599
16.3.1	Operation.....	599
16.3.2	Restore.....	601

16.3.3	Priorities of maskable interrupts.....	602
16.3.4	Interrupt control register (xxICn)	606
16.3.5	Interrupt mask registers 0 to 4 (IMR0 to IMR4).....	608
16.3.6	In-service priority register (ISPR).....	610
16.3.7	ID flag	611
16.3.8	Watchdog timer mode register 2 (WDTM2)	611
16.4	Software Exception	612
16.4.1	Operation.....	612
16.4.2	Restore	613
16.4.3	EP flag	614
16.5	Exception Trap.....	615
16.5.1	Illegal opcode definition	615
16.5.2	Debug trap.....	617
16.6	External Interrupt Request Input Pins (NMI and INTP0 to INTP14)	619
16.6.1	Noise elimination	619
16.6.2	Edge detection.....	619
16.7	Interrupt Acknowledge Time of CPU	628
16.8	Periods in Which Interrupts Are Not Acknowledged by CPU	629
16.9	Cautions	629
CHAPTER 17	KEY INTERRUPT FUNCTION	630
17.1	Function.....	630
17.2	Register	631
17.3	Cautions	631
CHAPTER 18	STANDBY FUNCTION	632
18.1	Overview.....	632
18.2	Registers	634
18.3	HALT Mode.....	637
18.3.1	Setting and operation status	637
18.3.2	Releasing HALT mode.....	637
18.4	IDLE1 Mode	639
18.4.1	Setting and operation status	639
18.4.2	Releasing IDLE1 mode	639
18.5	IDLE2 Mode	641
18.5.1	Setting and operation status	641
18.5.2	Releasing IDLE2 mode	641
18.5.3	Securing setup time when releasing IDLE2 mode	643
18.6	STOP Mode.....	644
18.6.1	Setting and operation status	644
18.6.2	Releasing STOP mode	644
18.6.3	Securing oscillation stabilization time when releasing STOP mode	646
18.7	Subclock Operation Mode	647
18.7.1	Setting and operation status	647
18.7.2	Releasing subclock operation mode	647
18.8	Sub-IDLE Mode	649
18.8.1	Setting and operation status	649
18.8.2	Releasing sub-IDLE mode	650

	CHAPTER 19 RESET FUNCTIONS.....	652
	19.1 Overview.....	652
	19.2 Registers to Check Reset Source.....	653
	19.3 Operation.....	654
	19.3.1 Reset operation via $\overline{\text{RESET}}$ pin.....	654
	19.3.2 Reset operation by watchdog timer 2.....	656
	19.3.3 Reset operation by power-on clear circuit.....	657
	19.3.4 Reset operation by low-voltage detector.....	657
	19.3.5 Reset operation by clock monitor.....	657
<R>	19.4 Operation After Reset Release	658
	CHAPTER 20 CLOCK MONITOR.....	660
	20.1 Functions	660
	20.2 Configuration.....	660
	20.3 Register	661
	20.4 Operation.....	662
	CHAPTER 21 POWER-ON CLEAR CIRCUIT	665
	21.1 Function	665
	21.2 Configuration.....	665
	21.3 Operation.....	666
	CHAPTER 22 LOW-VOLTAGE DETECTOR.....	667
	22.1 Functions	667
	22.2 Configuration.....	667
	22.3 Registers	668
	22.4 Operation.....	670
	22.4.1 To use for internal reset signal	670
	22.4.2 To use for interrupt	672
	22.5 RAM Retention Voltage Detection Operation.....	673
	22.6 Emulation Function.....	674
	CHAPTER 23 REGULATOR.....	675
	23.1 Overview.....	675
	23.2 Operation.....	676
	CHAPTER 24 FLASH MEMORY.....	677
	24.1 Features.....	677
<R>	24.2 Memory Configuration.....	678
<R>	24.3 Functional Outline.....	679
	24.4 Rewriting by Dedicated Flash Programmer	682
	24.4.1 Programming environment	682
	24.4.2 Communication mode.....	683
	24.4.3 Flash memory control	688
	24.4.4 Selection of communication mode.....	689
	24.4.5 Communication commands	690
	24.4.6 Pin connection.....	691
	24.5 Rewriting by Self Programming.....	695

24.5.1	Overview.....	695
24.5.2	Features.....	696
24.5.3	Standard self programming flow	697
24.5.4	Flash functions.....	698
24.5.5	Pin processing	698
24.5.6	Internal resources used	699
CHAPTER 25 OPTION BYTE FUNCTION.....		700
CHAPTER 26 ON-CHIP DEBUG FUNCTION.....		702
26.1	Debugging with DCU.....	703
26.1.1	Connection circuit example.....	703
26.1.2	Interface signals.....	703
26.1.3	Maskable functions	705
26.1.4	Register	705
26.1.5	Operation.....	707
26.1.6	Cautions.....	708
26.2	Debugging Without Using DCU.....	709
26.2.1	Circuit connection examples	709
26.2.2	Maskable functions	710
26.2.3	Securement of user resources.....	711
26.2.4	Cautions.....	717
26.3	ROM Security Function.....	718
26.3.1	Security ID	718
26.3.2	Setting	719
CHAPTER 27 ELECTRICAL SPECIFICATIONS.....		721
27.1	Electrical Specifications	721
27.2	Capacitance.....	723
27.3	Operating Conditions.....	723
27.4	Oscillator Characteristics	724
27.4.1	Main clock oscillator characteristics.....	724
27.4.2	Subclock oscillator characteristics	725
27.4.3	PLL characteristics	726
27.4.4	Internal oscillator characteristics.....	726
27.5	Voltage Regulator Characteristics.....	726
27.6	DC Characteristics	727
27.6.1	I/O level	727
27.6.2	Pin leakage current.....	728
27.6.3	Supply current.....	729
27.7	Data Retention Characteristics	731
27.8	AC Characteristics	732
27.8.1	CLKOUT Output Timing.....	733
27.8.2	Bus Timing.....	734
27.9	Basic Operation	739
27.10	Flash Memory Programming Characteristics.....	746
CHAPTER 28 PACKAGE DRAWING		747

<R>	CHAPTER 29 RECOMMENDED SOLDERING CONDITIONS	748
<R>	APPENDIX A DEVELOPMENT TOOLS	749
	A.1 Software Package.....	751
	A.2 Language Processing Software.....	751
	A.3 Control Software	751
	A.4 Debugging Tools (Hardware).....	752
	A.4.1 When using IECUBE QB-V850ESFX2	752
	A.4.2 When using MINICUBE QB-V850MINI.....	754
	A.4.3 When using MINICUBE2 QB-MINI2	755
	A.5 Debugging Tools (Software)	756
	A.6 Embedded Software.....	757
	A.7 Flash Memory Writing Tools	758
	APPENDIX B REGISTER INDEX.....	759
	APPENDIX C INSTRUCTION SET LIST.....	770
	C.1 Conventions.....	770
	C.2 Instruction Set (in Alphabetical Order)	773
<R>	APPENDIX D LIST OF CAUTIONS.....	780
	APPENDIX E REVISION HISTORY	814
	E.1 Major Revisions in This Edition.....	814
	E.2 Revision History of Previous Editions	815

CHAPTER 1 INTRODUCTION

The V850ES/HJ2 is one of the products in the NEC Electronics V850 single-chip microcontrollers designed for low-power operation for real-time control applications.

1.1 General

The V850ES/HJ2 is a 32-bit single-chip microcontroller that includes the V850ES CPU core and peripheral functions such as ROM/RAM, a timer/counter, serial interfaces, and an A/D converter.

In addition to high real-time response characteristics and 1-clock-pitch basic instructions, the V850ES/HJ2 features multiply instructions, saturated operation instructions, bit manipulation instructions, etc., realized by a hardware multiplier, as optimum instructions for digital servo control applications.

Table 1-1 lists the products of the V850ES/HJ2.

Table 1-1. V850ES/HJ2 Product List

Part Number		μ PD70F3709	μ PD70F3710	μ PD70F3711	μ PD70F3712
Internal memory	Flash memory	128 KB	256 KB	376 KB	512 KB
	RAM	12 KB		20 KB	
Memory space	Logical space	64 MB			
	External memory area	15 MB			
External bus interface		Address bus: 16 bits Data bus: 8/16 bits Multiplexed bus mode			
General-purpose register		32 bits \times 32 registers			
Main clock (oscillation frequency)		Ceramic/crystal/external clock • In PLL mode: $f_x = 4$ to 5 MHz • In clock through mode: $f_x = 4$ to 5 MHz			
Subclock (oscillation frequency)		Crystal/external clock: $f_{XT} = 32.768$ kHz RC oscillation: 20 kHz			
Internal oscillator		$f_R = 200$ kHz (TYP.)			
Minimum instruction execution time		50 ns (main clock (f_{XX}) = 20 MHz operation)			
DSP function		32 \times 32 = 64: 200 to 250 ns (at 20 MHz) 32 \times 32 + 32 = 32: 300 ns (at 20 MHz) 16 \times 16 = 32: 50 to 100 ns (at 20 MHz) 16 \times 16 + 32 = 32: 150 ns (at 20 MHz)			
I/O port		I/O: 128			
Timer		16-bit timer/event counter P: 4 channels 16-bit timer/event counter Q: 3 channels 16-bit interval timer M: 1 channel Watchdog timer 2: 1 channel Watch timer: 1 channel			
A/D converter		10-bit resolution \times 24 channels			
Serial interface		CSIB: 3 channels UARTA (for LIN): 3 channels		CSIB: 3 channels UARTA (for LIN): 4 channels	
DMA controller		4 channels (transfer target: on-chip peripheral I/O, internal RAM, external memory)			
Interrupt source		External: 16 (16) ^{Note} , internal: 50		External: 16 (16) ^{Note} , internal: 52	
Power save function		HALT/IDLE1/IDLE2/STOP/subclock/sub-IDLE mode			
Reset		$\overline{\text{RESET}}$ pin input, watchdog timer 2 (WDT2), clock monitor (CLM), POC circuit, low-voltage detector (LVI)			
DCU		Provided (RUN/break)			
Operating power supply voltage		3.5 to 5.5 V (A/D converter: 4.0 to 5.5 V)			
Operating ambient temperature		-40 to +85°C			
Package		144-pin plastic LQFP (fine pitch) (20 \times 20 mm)			

Note The figure in parentheses indicates the number of external interrupts that can release STOP mode.

1.2 Features

- Minimum instruction execution time: 50 ns (operating with main clock (f_{xx}) of 20 MHz)
- General-purpose registers: 32 bits \times 32 registers
- CPU features:
 - Signed multiplication ($16 \times 16 \rightarrow 32$): 1 to 2 clocks
 - Signed multiplication ($32 \times 32 \rightarrow 64$): 1 to 5 clocks
 - Saturated operations (overflow and underflow detection functions included)
 - 32-bit shift instruction: 1 clock
 - Bit manipulation instructions
 - Load/store instructions with long/short format
- Memory space:
 - 64 MB of linear address space (for programs and data)
 - External expansion: Up to 256 KB (including 64 KB used as internal ROM/RAM)
 - Internal memory:
 - RAM: 12 KB/20 KB (see **Table 1-1**)
 - Flash memory: 128 KB/256 KB/376 KB/512 KB (see **Table 1-1**)
 - External bus interface:
 - Multiplexed bus output
 - 8-/16-bit data bus sizing function
 - Wait function
 - Programmable wait function
 - External wait function
 - Idle state function
 - Bus hold function
- Interrupts and exceptions:
 - Non-maskable interrupts: 2 sources
 - Maskable interrupts:
 - 64 sources (μ PD70F3709, 70F3710)
 - 66 sources (μ PD70F3711, 70F3712)
 - Software exceptions: 32 sources
 - Exception trap: 2 sources
- I/O lines: I/O ports: 128
- Timer function:
 - 16-bit interval timer M (TMM): 1 channel
 - 16-bit timer/event counter P (TMP): 4 channels
 - 16-bit timer/event counter Q (TMQ): 3 channels
 - Watch timer: 1 channel
 - Watchdog timer 2: 1 channel
- Serial interface:
 - Asynchronous serial interface A (UARTA)
 - 3-wire variable-length serial interface B (CSIB)
 - UARTA (supporting LIN):
 - 4 channels (μ PD70F3711, 70F3712)
 - 3 channels (μ PD70F3709, 70F3710)
 - CSIB: 3 channels
- A/D converter: 10-bit resolution: 24 channels
- DMA controller: 4 channels
- DCU (debug control unit): JTAG interface
- Clock generator:
 - During main clock or subclock operation
 - 7-level CPU clock (f_{xx} , $f_{xx}/2$, $f_{xx}/4$, $f_{xx}/8$, $f_{xx}/16$, $f_{xx}/32$, f_{xt})
 - Clock-through mode/PLL mode selectable
- Internal oscillation clock: 200 kHz (TYP.)
- Power-save functions: HALT/IDLE1/IDLE2/STOP/subclock/sub-IDLE mode
- Package: 144-pin plastic LQFP (fine pitch) (20×20)

1.3 Application Fields

Consumer devices

1.4 Ordering Information

Part Number	Package	On-Chip Flash Memory
μ PD70F3709GJ-UEN-A	144-pin plastic LQFP (fine pitch) (20 × 20)	128 KB
μ PD70F3710GJ-UEN-A	144-pin plastic LQFP (fine pitch) (20 × 20)	256 KB
μ PD70F3711GJ-UEN-A	144-pin plastic LQFP (fine pitch) (20 × 20)	376 KB
μ PD70F3712GJ-UEN-A	144-pin plastic LQFP (fine pitch) (20 × 20)	512 KB

Remark Products with -A at the end of the part number are lead-free products.

1.5 Pin Configuration (Top View)

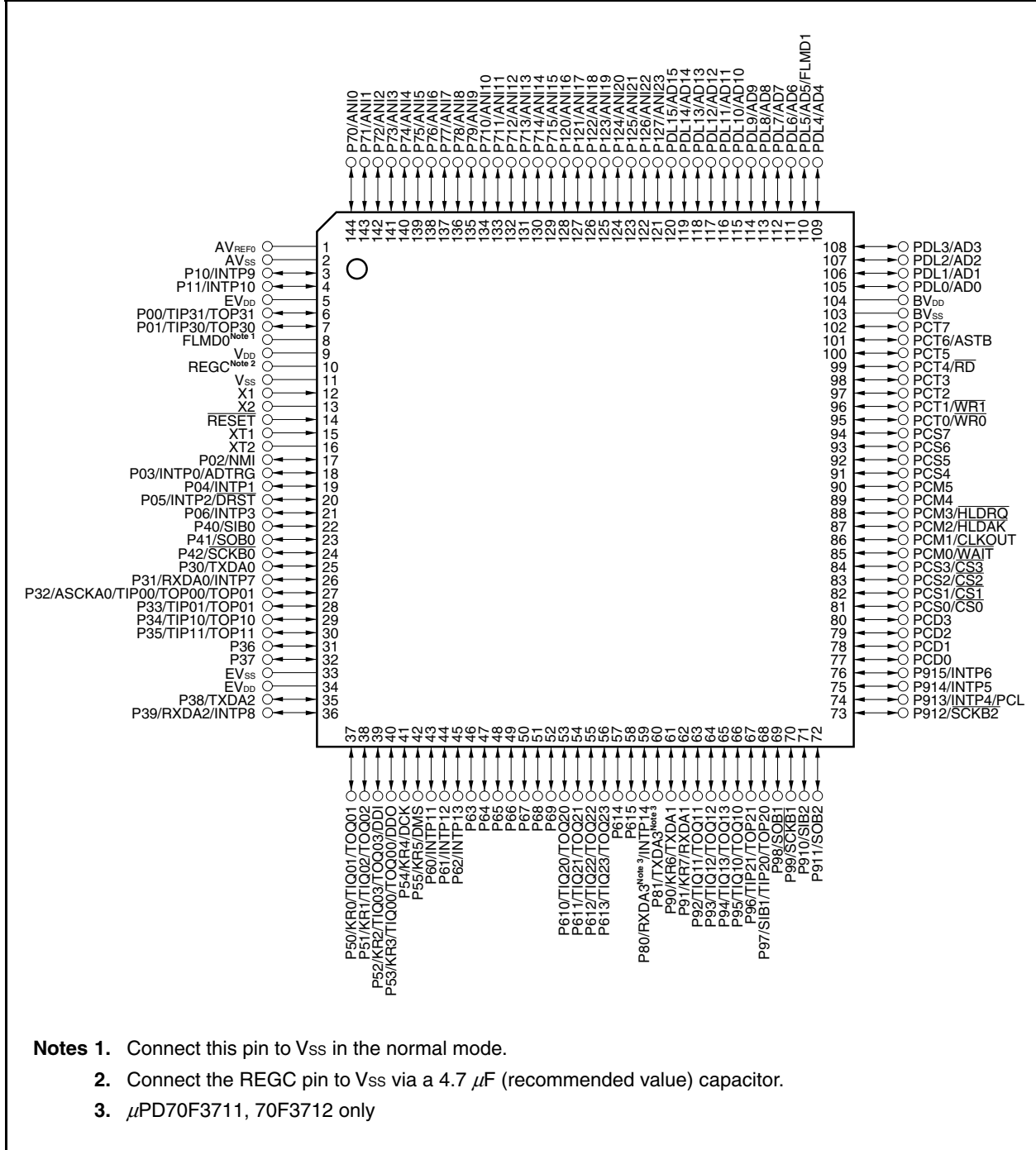
144-pin plastic LQFP (fine pitch) (20 × 20)

μPD70F3709GJ-UEN-A

μPD70F3710GJ-UEN-A

μPD70F3711GJ-UEN-A

μPD70F3712GJ-UEN-A



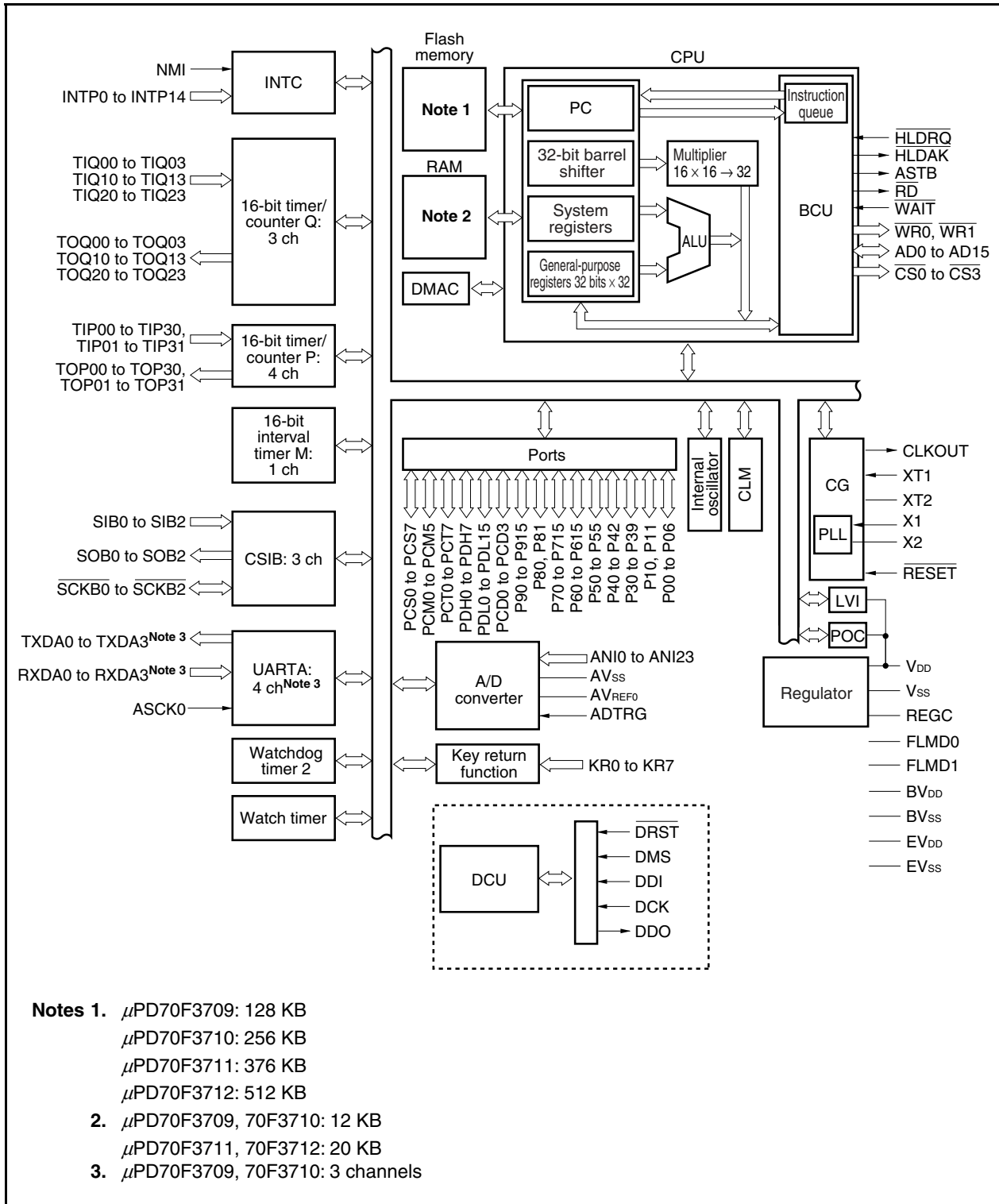
- Notes**
1. Connect this pin to Vss in the normal mode.
 2. Connect the REGC pin to Vss via a 4.7 μF (recommended value) capacitor.
 3. μPD70F3711, 70F3712 only

Pin identification

AD0 to AD15:	Address/data bus	PCL:	Programmable clock output
ADTRG:	A/D trigger input	PCM0 to PCM5:	Port CM
ANI0 to ANI23:	Analog input	PCS0 to PCS7:	Port CS
ASCKA0:	Asynchronous serial clock	PCT0 to PCT7:	Port CT
ASTB:	Address strobe	PDL0 to PDL15:	Port DL
AV _{REF0} :	Analog reference voltage	\overline{RD} :	Read strobe
AV _{SS} :	Analog V _{SS}	REGC:	Regulator control
BV _{DD} :	Power supply for bus interface	RESET:	Reset
BV _{SS} :	Ground for bus interface	RXDA0 to RXDA3:	Receive data
CLKOUT:	Clock output	$\overline{SCKB0}$ to $\overline{SCKB2}$:	Serial clock
$\overline{CS0}$ to $\overline{CS3}$:	Chip select	SIB0 to SIB2:	Serial input
DCK:	Debug clock	SOB0 to SOB2:	Serial output
DDI:	Debug data input	TIP00, TIP01, TIP10, TIP11, TIP20, TIP21, TIP30, TIP31,	
DDO:	Debug data output	TIQ00 to TIQ03, TIQ10 to TIQ13, TIQ20 to TIQ23:	Timer input
DMS:	Debug mode select	TOP00, TOP01, TOP10, TOP11, TOP20, TOP21, TOP30, TOP31,	
DRST:	Debug reset	TOQ00 to TOQ03, TOQ10 to TOQ13, TOQ20 to TOQ23:	Timer output
EV _{DD} :	Power supply for port	TXDA0 to TXDA3:	Transmit data
EV _{SS} :	Ground for port	V _{DD} :	Power supply
FLMD0, FLMD1:	Flash programming mode	V _{SS} :	Ground
\overline{HLDAK} :	Hold acknowledge	\overline{WAIT} :	Wait
\overline{HLDRQ} :	Hold request	$\overline{WR0}$:	Write strobe low level data
INTP0 to INTP14:	External interrupt request	$\overline{WR1}$:	Write strobe high level data
KR0 to KR7:	Key return	X1, X2:	Crystal for main clock
NMI:	Non-maskable interrupt request	XT1, XT2:	Crystal for subclock
P00 to P06:	Port 0		
P10, P11:	Port 1		
P30 to P39:	Port 3		
P40 to P42:	Port 4		
P50 to P55:	Port 5		
P60 to P615:	Port 6		
P70 to P715:	Port 7		
P80, P81:	Port 8		
P90 to P915:	Port 9		
P120 to P127:	Port 12		
PCD0 to PCD3:	Port CD		

1.6 Function Block Configuration

1.6.1 Internal block diagram



1.6.2 Internal units

(1) CPU

The CPU uses five-stage pipeline control to enable single-clock execution of address calculations, arithmetic logic operations, data transfers, and almost all other instruction processing.

Other dedicated on-chip hardware, such as a multiplier (16 bits \times 16 bits \rightarrow 32 bits) and a barrel shifter (32 bits) contribute to faster complex processing.

(2) Bus control unit (BCU)

The BCU starts a required external bus cycle based on the physical address obtained by the CPU. When an instruction is fetched from external memory space and the CPU does not send a bus cycle start request, the BCU generates a prefetch address and prefetches the instruction code. The prefetched instruction code is stored in an instruction queue.

(3) ROM

This is a 512 KB/376 KB/256 KB/128 KB flash memory mapped to addresses 0000000H to 007FFFFH/0000000H to 005DFFFH/0000000H to 003FFFFH/0000000H to 001FFFFH. It can be accessed from the CPU in one clock during instruction fetch.

(4) RAM

This is a 20 KB/12 KB RAM mapped to addresses 3FFA000H to 3FFEFFFH/3FFC000H to 3FFEFFFH. It can be accessed from the CPU in one clock during data access.

(5) Interrupt controller (INTC)

This controller handles hardware interrupt requests (NMI, INTP0 to INTP14) from on-chip peripheral hardware and external hardware. Eight levels of interrupt priorities can be specified for these interrupt requests, and multiple servicing control can be performed.

(6) Clock generator (CG)

A main clock oscillator that generates the main clock oscillation frequency (f_x) and a subclock oscillator that generates the subclock oscillation frequency (f_{XT}) are available. As the main clock frequency (f_{xx}), f_x is used as is in the clock-through mode and is multiplied by four in the PLL mode.

The CPU clock frequency (f_{CPU}) can be selected from seven types: f_{xx} , $f_{xx}/2$, $f_{xx}/4$, $f_{xx}/8$, $f_{xx}/16$, $f_{xx}/32$, and f_{XT} .

(7) Internal oscillator

An internal oscillator is provided on chip. The oscillation frequency is 200 kHz (TYP.). An internal oscillator supplies the clock for watchdog timer 2 and timer M.

(8) Timer/counter

Four-channel 16-bit timer/event counter P (TMP), three-channel 16-bit timer/event counter Q (TMQ), and one-channel 16-bit interval timer M (TMM) are provided on chip.

(9) Watch timer

This timer counts the reference time period (0.5 s) for counting the clock (the 32.768 kHz from the subclock or the 32.768 kHz f_{BRG} from prescaler 3). The watch timer can also be used as an interval timer for the main clock.

(10) Watchdog timer 2

A watchdog timer is provided on chip to detect inadvertent program loops, system abnormalities, etc.

Either the internal oscillation clock or the main clock can be selected as the source clock.

Watchdog timer 2 generates a non-maskable interrupt request signal (INTWDT2) or a system reset signal (WDT2RES) after an overflow occurs.

(11) Serial interface

The V850ES/HJ2 includes three kinds of serial interfaces: asynchronous serial interface A (UARTA) and 3-wire variable-length serial interface B (CSIB).

In the case of UARTA, data is transferred via the TXDAn and RXDAn pins.

(n = 0 to 3: PD70F3711, 70F3712, n = 0 to 2: PD70F3709, 70F3710)

In the case of CSIB, data is transferred via the SOB0 to SOB3 pins, SIB0 to SIB3 pins, and $\overline{\text{SCKB0}}$ to $\overline{\text{SCKB3}}$ pins.

(12) A/D converter

This 10-bit A/D converter includes 24 analog input pins. Conversion is performed using the successive approximation method.

(13) DMA controller

A 4-channel DMA controller is provided on chip. This controller transfers data between the internal RAM and on-chip peripheral I/O devices in response to interrupt requests sent by on-chip peripheral I/O.

(14) Key interrupt function

A key interrupt request signal (INTKR) can be generated by inputting a falling edge to key input pins (8 channels).

(15) DCU (debug control unit)

An on-chip debug function that uses the JTAG (Joint Test Action Group) communication specifications is provided. Switching between the normal port function and on-chip debugging function is done with the control pin input level and the on-chip debug mode register (OCDM).

(16) Ports

The general-purpose port functions and control pin functions are provided. For details, see **CHAPTER 4 PORT FUNCTIONS**.

CHAPTER 2 PIN FUNCTIONS

This section explains the names and functions of the pins of the V850ES/HJ2.

2.1 Pin Function List

Three I/O buffer power supplies, AV_{REF0} , BV_{DD} , and EV_{DD} , are available. The relationship between the power supplies and the pins is shown below.

Table 2-1. Pin I/O Buffer Power Supplies

Power Supply	Corresponding Pin
AV_{REF0}	Port 7, port 12
BV_{DD}	Port CD, port CM, port CS, port CT, port DL
EV_{DD}	Port 0, port 1, port 3, port 4, port 5, port 6, port 8, port 9, \overline{RESET}

(1) Port pins

Table 2-2. List of Pins (Port Pins) (1/4)

Pin Name	Pin No.	I/O	Function	Alternate Function
P00	6	I/O	Port 0 7-bit I/O port Input/output can be specified in 1-bit units.	TIP31/TOP31
P01	7			TIP30/TOP30
P02	17			NMI
P03	18			INTP0/ADTRG
P04	19			INTP1
P05	20			INTP2/ \overline{DRST}
P06	21			INTP3
P10	3	I/O	Port 1 2-bit I/O port Input/output can be specified in 1-bit units.	INTP9
P11	4			INTP10
P30	25	I/O	Port 3 10-bit I/O port Input/output can be specified in 1-bit units.	TXDA0
P31	26			RXDA0/INTP7
P32	27			ASCKA0/TIP00/TOP00/TOP01
P33	28			TIP01/TOP01
P34	29			TIP10/TOP10
P35	30			TIP11/TOP11
P36	31			–
P37	32			–
P38	35			TXDA2
P39	36			RXDA2/INTP8
P40	22	I/O	Port 4 3-bit I/O port Input/output can be specified in 1-bit units.	SIB0
P41	23			SOB0
P42	24			$\overline{SCKB0}$

Table 2-2. List of Pins (Port Pins) (2/4)

Pin Name	Pin No.	I/O	Function	Alternate Function
P50	37	I/O	Port 5 6-bit I/O port Input/output can be specified in 1-bit units.	KR0/TIQ01/TOQ01
P51	38			KR1/TIQ02/TOQ02
P52	39			KR2/TIQ03/TOQ03/DDI
P53	40			KR3/TIQ00/TOQ00/DDO
P54	41			KR4/DCK
P55	42			KR5/DMS
P60	43	I/O	Port 6 16-bit I/O port Input/output can be specified in 1-bit units.	INTP11
P61	44			INTP12
P62	45			INTP13
P63	46			–
P64	47			–
P65	48			–
P66	49			–
P67	50			–
P68	51			–
P69	52			–
P610	53			TIQ20/TOQ20
P611	54			TIQ21/TOQ21
P612	55			TIQ22/TOQ22
P613	56			TIQ23/TOQ23
P614	57			–
P615	58	–		
P70	144	I/O	Port 7 16-bit I/O port Input/output can be specified in 1-bit units.	ANI0
P71	143			ANI1
P72	142			ANI2
P73	141			ANI3
P74	140			ANI4
P75	139			ANI5
P76	138			ANI6
P77	137			ANI7
P78	136			ANI8
P79	135			ANI9
P710	134			ANI10
P711	133			ANI11
P712	132			ANI12
P713	131			ANI13
P714	130			ANI14
P715	129	ANI15		

Table 2-2. List of Pins (Port Pins) (3/4)

Pin Name	Pin No.	I/O	Function	Alternate Function
P80	59	I/O	Port 8 2-bit I/O port Input/output can be specified in 1-bit units.	RXDA3 ^{Note} /INTP14
P81	60			TXDA3 ^{Note}
P90	61	I/O	Port 9 16-bit I/O port Input/output can be specified in 1-bit units.	KR6/TXDA1
P91	62			KR7/RXDA1
P92	63			TIQ11/TOQ11
P93	64			TIQ12/TOQ12
P94	65			TIQ13/TOQ13
P95	66			TIQ10/TOQ10
P96	67			TIP21/TOP21
P97	68			SIB1/TIP20/TOP20
P98	69			SOB1
P99	70			SCKB1
P910	71			SIB2
P911	72			SOB2
P912	73			SCKB2
P913	74			INTP4/PCL
P914	75	INTP5		
P915	76	INTP6		
P120	128	I/O	Port 12 8-bit I/O port Input/output can be specified in 1-bit units.	ANI16
P121	127			ANI17
P122	126			ANI18
P123	125			ANI19
P124	124			ANI20
P125	123			ANI21
P126	122			ANI22
P127	121			ANI23
PCD0	77	I/O	Port CD 4-bit I/O port Input/output can be specified in 1-bit units.	–
PCD1	78			–
PCD2	79			–
PCD3	80			–
PCM0	85	I/O	Port CM 6-bit I/O port Input/output can be specified in 1-bit units.	WAIT
PCM1	86			CLKOUT
PCM2	87			HLDK
PCM3	88			HLDRQ
PCM4	89			–
PCM5	90			–

Note μ PD70F3711, 70F3712 only

Table 2-2. List of Pins (Port Pins) (4/4)

Pin Name	Pin No.	I/O	Function	Alternate Function
PCS0	81	I/O	Port CS 8-bit I/O port Input/output can be specified in 1-bit units.	$\overline{CS0}$
PCS1	82			$\overline{CS1}$
PCS2	83			$\overline{CS2}$
PCS3	84			$\overline{CS3}$
PCS4	91			–
PCS5	92			–
PCS6	93			–
PCS7	94			–
PCT0	95	I/O	Port CT 8-bit I/O port Input/output can be specified in 1-bit units.	$\overline{WR0}$
PCT1	96			$\overline{WR1}$
PCT2	97			–
PCT3	98			–
PCT4	99			\overline{RD}
PCT5	100			–
PCT6	101			ASTB
PCT7	102			–
PDL0	105	I/O	Port DL 16-bit I/O port Input/output can be specified in 1-bit units.	AD0
PDL1	106			AD1
PDL2	107			AD2
PDL3	108			AD3
PDL4	109			AD4
PDL5	110			AD5/FLMD1
PDL6	111			AD6
PDL7	112			AD7
PDL8	113			AD8
PDL9	114			AD9
PDL10	115			AD10
PDL11	116			AD11
PDL12	117			AD12
PDL13	118			AD13
PDL14	119			AD14
PDL15	120			AD15

(2) Non-port pins

Table 2-3. List of Pins (Non-Port Pins) (1/4)

Pin Name	Pin No.	I/O	Function	Alternate Function
NMI ^{Note 1}	17	Input	External interrupt input (non-maskable, with analog noise eliminated)	P02
INTP0	18	Input	External interrupt request input (maskable, with analog noise eliminated)	P03/ADTRG
INTP1	19			P04
INTP2	20			P05/DRST
INTP3	21			P06
INTP4	74			P913/PCL
INTP5	75			P914
INTP6	76			P915
INTP7	26			P31/RXDA0
INTP8	36			P39/RXDA2
INTP9	3			P10
INTP10	4			P11
INTP11	43			P60
INTP12	44			P61
INTP13	45			P62
INTP14	59			P80/RXDA3 ^{Note 2}
TIP00	27	Input	External event/clock input (TMP00)	P32/ASCKA0/TOP00/TOP01
TIP01	28		External event input (TMP01)	P33/TOP01
TIP10	29		External event/clock input (TMP10)	P34/TOP10
TIP11	30		External event input (TMP11)	P35/TOP11
TIP20	68		External event/clock input (TMP20)	P97/SIB1/TOP20
TIP21	67		External event input (TMP21)	P96/TOP21
TIP30	7		External event/clock input (TMP30)	P01/TOP30
TIP31	6		External event input (TMP31)	P00/TOP31
TOP00	27	Output	Timer output (TMP00)	P32/ASCKA0/TIP00/TOP01
TOP01	27		Timer output (TMP01)	P32/ASCKA0/TIP00/TOP00
	28			
TOP10	29		Timer output (TMP10)	P34/TIP10
TOP11	30		Timer output (TMP11)	P35/TIP11
TOP20	68		Timer output (TMP20)	P97/SIB1/TIP20
TOP21	67		Timer output (TMP21)	P96/TIP21
TOP30	7		Timer output (TMP30)	P01/TIP30
TOP31	6		Timer output (TMP31)	P00/TIP31

Notes 1. The NMI pin alternately functions as the P02 pin. It functions as the P02 pin after reset. To enable the NMI pin, set the PMC0.PMC02 bit to 1. The initial setting of the NMI pin is “No edge detected”. Select the NMI pin valid edge using INTF0 and INTR0 registers.

2. μ PD70F3711, 70F3712 only

Table 2-3. List of Pins (Non-Port Pins) (2/4)

Pin Name	Pin No.	I/O	Function	Alternate Function	
TIQ00	40	Input	External event/clock input (TMQ00)	P53/KR3/TOQ00/DDO	
TIQ01	37		External event input (TMQ01)	P50/KR0/TOQ01	
TIQ02	38		External event input (TMQ02)	P51/KR1/TOQ02	
TIQ03	39		External event input (TMQ03)	P52/KR2/TOQ03/DDI	
TIQ10	66		External event/clock input (TMQ10)	P95/TOQ10	
TIQ11	63		External event input (TMQ11)	P92/TOQ11	
TIQ12	64		External event input (TMQ12)	P93/TOQ12	
TIQ13	65		External event input (TMQ13)	P94/TOQ13	
TIQ20	53		External event/clock input (TMQ20)	P610/TOQ20	
TIQ21	54		External event input (TMQ21)	P611/TOQ21	
TIQ22	55		External event input (TMQ22)	P612/TOQ22	
TIQ23	56		External event input (TMQ23)	P613/TOQ23	
TOQ00	40		Output	Timer output (TMQ00)	P53/KR3/TIQ00/DDO
TOQ01	37			Timer output (TMQ01)	P50/KR0/TIQ01
TOQ02	38	Timer output (TMQ02)		P51/KR1/TIQ02	
TOQ03	39	Timer output (TMQ03)		P52/KR2/TIQ03/DDI	
TOQ10	66	Timer output (TMQ10)		P95/TIQ10	
TOQ11	63	Timer output (TMQ11)		P92/TIQ11	
TOQ12	64	Timer output (TMQ12)		P93/TIQ12	
TOQ13	65	Timer output (TMQ13)		P94/TIQ13	
TOQ20	53	Timer output (TMQ20)		P610/TIQ20	
TOQ21	54	Timer output (TMQ21)		P611/TIQ21	
TOQ22	55	Timer output (TMQ22)		P612/TIQ22	
TOQ23	56	Timer output (TMQ23)		P613/TIQ23	
SIB0	22	Input		Serial receive data input (CSIB0)	P40
SIB1	68			Serial receive data input (CSIB1)	P97/TIP20/TOP20
SIB2	71		Serial receive data input (CSIB2)	P910	
SOB0	23	Output	Serial transmit data output (CSIB0)	P41	
SOB1	69		Serial transmit data output (CSIB1)	P98	
SOB2	72		Serial transmit data output (CSIB2)	P911	
$\overline{\text{SCKB0}}$	24	I/O	Serial clock I/O (CSIB0)	P42	
$\overline{\text{SCKB1}}$	70		Serial clock I/O (CSIB1)	P99	
$\overline{\text{SCKB2}}$	73		Serial clock I/O (CSIB2)	P912	
RXDA0	26	Input	Serial receive data input (UARTA0)	P31/INTP7	
RXDA1	62		Serial receive data input (UARTA1)	P91/KR7	
RXDA2	36		Serial receive data input (UARTA2)	P39/INTP8	
RXDA3 ^{Note}	59		Serial receive data input (UARTA3)	P80/INTP14	
TXDA0	25	Output	Serial transmit data output (UARTA0)	P30	
TXDA1	61		Serial transmit data output (UARTA1)	P90/KR6	
TXDA2	35		Serial transmit data output (UARTA2)	P38	
TXDA3 ^{Note}	60		Serial transmit data output (UARTA3)	P81	

Note μ PF70F3711, 70F3712 only

Table 2-3. List of Pins (Non-Port Pins) (3/4)

Pin Name	Pin No.	I/O	Function	Alternate Function
ASCKA0	27	Input	Baud rate clock input to UAR0A0	P32/TIP00/TOP00/TOP01
ANI0	144	Input	Analog voltage input to A/D converter	P70
ANI1	143			P71
ANI2	142			P72
ANI3	141			P73
ANI4	140			P74
ANI5	139			P75
ANI6	138			P76
ANI7	137			P77
ANI8	136			P78
ANI9	135			P79
ANI10	134			P710
ANI11	133			P711
ANI12	132			P712
ANI13	131			P713
ANI14	130			P714
ANI15	129			P715
ANI16	128			P120
ANI17	127			P121
ANI18	126			P122
ANI19	125			P123
ANI20	124			P124
ANI21	123			P125
ANI22	122			P126
ANI23	121			P127
AV _{REF0}	1	Input	Reference voltage input to A/D converter, positive power supply for alternate-function port 7	–
AV _{SS}	2	–	Ground potential for A/D and D/A converters (same potential as V _{SS})	–
ADTRG	18	Input	A/D converter external trigger input	P03/INTP0
KR0	37	Input	Key interrupt input	P50/TIQ01/TOQ01
KR1	38			P51/TIQ02/TOQ02
KR2	39			P52/TIQ03/TOQ03/DDI
KR3	40			P53/TIQ00/TOQ00/DDO
KR4	41			P54/DCK
KR5	42			P55/DMS
KR6	61			P90/TXDA1
KR7	62			P91/RXDA1
DMS	42	Input	Debug mode select	P55/KR5
DDI	39	Input	Debug data input	P52/KR2/TIQ03/TOQ03
DDO	40	Output	Debug data output	P53/KR3/TIQ00/TOQ00
DCK	41	Input	Debug clock input	P54/KR4
DRST	20	Input	Debug reset input	P05/INTP2

Table 2-3. List of Pins (Non-Port Pins) (4/4)

Pin Name	Pin No.	I/O	Function	Alternate Function
$\overline{\text{CS0}}$	81	Output	Chip select signal output	PCS0
$\overline{\text{CS1}}$	82			PCS1
$\overline{\text{CS2}}$	83			PCS2
$\overline{\text{CS3}}$	84			PCS3
AD0	105	I/O	Address/data bus for external memory	PDL0
AD1	106			PDL1
AD2	107			PDL2
AD3	108			PDL3
AD4	109			PDL4
AD5	110			PDL5/FLMD1
AD6	111			PDL6
AD7	112			PDL7
AD8	113			PDL8
AD9	114			PDL9
AD10	115			PDL10
AD11	116			PDL11
AD12	117			PDL12
AD13	118			PDL13
AD14	119			PDL14
AD15	120			PDL15
ASTB	101	Output	Address strobe signal output for external memory	PCT6
$\overline{\text{HLDRQ}}$	88	Input	Bus hold request input	PCM3
$\overline{\text{HLDACK}}$	87	Output	Bus hold acknowledge output	PCM2
$\overline{\text{RD}}$	99	Output	Read strobe signal output for external memory	PCT4
$\overline{\text{WAIT}}$	85	Input	External wait input	PCM0
$\overline{\text{WR0}}$	95	Output	Write strobe for external memory (lower 8 bits)	PCT0
$\overline{\text{WR1}}$	96		Write strobe for external memory (higher 8 bits)	PCT1
FLMD0	8	Input	Flash programming mode setting pins	–
FLMD1	110			PDL5/AD5
CLKOUT	86	Output	Internal system clock output	PCM1
PCL	74	Output	Clock output (timing output of X1 input clock and subclock)	P913/INTP4
REGC	10	–	Regulator output stabilizing capacitor connection	–
$\overline{\text{RESET}}$	14	Input	System reset input	–
X1	12	Input	Main clock resonator connection	–
X2	13	–		–
XT1	15	Input	Subclock resonator connection	–
XT2	16	–		–
V _{DD}	9	–	Positive power supply pin for internal circuitry	–
V _{SS}	11	–	Ground potential for internal circuitry	–
BV _{DD}	104	–	Positive power supply pin for bus interface and alternate-function ports	–
BV _{SS}	103	–	Ground potential for bus interface and alternate-function ports	–
EV _{DD}	34	–	Positive power supply pin for external circuitry (same potential as V _{DD})	–
EV _{SS}	33	–	Ground potential for external circuitry (same potential as V _{SS})	–

2.2 Pin Status

The V850ES/HJ2 has an external bus interface function that enables connection of external memories, such as ROM and RAM, and I/O.

Table 2-4 shows the operating status of each external bus interface pin in each operation mode.

Table 2-4. Pin Operating Status in Each Operation Mode

Bus Control Pin	Reset	HALT Mode and DMA Transfer	IDLE1, IDLE2, and STOP Modes	Idle State ^{Note 2}	Bus Hold
AD0 to AD15	Hi-Z ^{Note 1}	Operating	Hi-Z	Held	Hi-Z
CS0 to CS3			H		
WAIT			–	–	–
CLKOUT			L	Operating	Operating
WR0, WR1			H	H	Hi-Z
RD					
ASTB					
HLDK					L
HLDK					–

- Notes**
1. The bus control pins function alternately as port pins and are initialized to the input mode (port mode).
 2. Pin status in the idle state that is inserted after the T3 state.

Remark

- Hi-Z: High impedance
- Held: The state during the immediately preceding external bus cycle is held.
- L: Low-level output
- H: High-level output
- : Input without sampling (not acknowledged)

2.3 Description of Pin Functions

(1) P00 to P06 (port 0) ... 3-state I/O

P00 to P06 function as a 7-bit I/O port that can be set to input or output in 1-bit units.

Besides functioning as an I/O port, these pins operate as NMI input, external interrupt request signal input, timer/counter I/O, external trigger of the A/D converter, and debug reset input.

This port can be set in the port mode or control mode in 1-bit units. The valid edge of each pin is specified by the INTR0 and INTF0 registers.

An on-chip pull-up resistor can be connected to P00 to P06 by using pull-up resistor option register 0 (PU0).

(a) Port mode

P00 to P06 can be set in the input or output mode in 1-bit units, by using port mode register 0 (PM0).

(b) Control mode

(i) NMI (Non-maskable interrupt request) ... input

This pin inputs a non-maskable interrupt request.

(ii) INTP0 to INTP3 (External interrupt request) ... input

These pins input external interrupt request signals.

(iii) TIP30, TIP31 (Timer input) ... input

These pins input an external count clock to timer P3 (TMP3).

(iv) TOP30, TOP31 (Timer output) ... output

These pins output a pulse signal from timer P3 (TMP3).

(v) ADTRG (A/D trigger input) ... input

This pin inputs an external trigger to the A/D converter. It is controlled by using A/D converter mode register 0 (ADA0M0).

(vi) $\overline{\text{DRST}}$ (Debug reset) ... input

This pin inputs a debug reset signal, a negative-logic signal that asynchronously initializes the debug control unit (DCU). To deassert this signal, reset or invalidate the DCU. Deassert this signal when the debug function is not used.

For details, see **CHAPTER 26 ON-CHIP DEBUG FUNCTION**.

(2) P10, P11 (port 1) ... 3-state I/O

P10 and P11 function as a 2-bit I/O port that can be set to input or output in 1-bit units.

Besides functioning as an I/O port, these pins operate as external interrupt request signal input in the control mode. This port can be set in the port mode or control mode in 1-bit units. The valid edge of each pin is specified by INTR1 and INTF1 registers.

An on-chip pull-up resistor can be connected to P10 and P11 by using pull-up resistor option register 1 (PU1).

(a) Port mode

P10 and P11 can be set in the input or output mode in 1-bit units, by using port mode register 1 (PM1).

(b) Control mode**(i) INTP9, INTP10 (External interrupt request) ... input**

These pins input an external interrupt request signal.

(3) P30 to P39 (port 3) ... 3-state I/O

P30 to P39 function as a 10-bit I/O port that can be set to input or output in 1-bit units.

Besides functioning as an I/O port, these pins operate as external interrupt request signal input, serial interface I/O, and timer/counter I/O. This port can be set in the port mode or control mode in 1-bit units. The valid edge of each pin is specified by the INTR3 and INTF3 registers.

An on-chip pull-up resistor can be connected to P30 to P39 by using pull-up resistor option register 3 (PU3).

(a) Port mode

P30 to P39 can be set in the input or output mode in 1-bit units, by using port mode register 3 (PM3).

(b) Control mode**(i) RXDA0, RXDA2 (Receive data) ... input**

These pins input the serial receive data of UARTA0 and UARTA2.

(ii) TXDA0, TXDA2 (Transmit data) ... output

These pins output the serial transmit data of UARTA0 and UARTA2.

(iii) ASCKA0 (Asynchronous serial clock) ... input

This is an input pin for UARTA0.

(iv) INTP7, INTP8 (External interrupt request) ... input

These pins input an external interrupt request signal.

(v) TIP00, TIP01, TIP10, TIP11 (Timer input) ... input

These are input pins for timers P0 and P1 (TMP0 and TMP1).

(vi) TOP00, TOP01, TOP10, TOP11 (Timer output) ... output

These are output pins for timers P0 and P1 (TMP0 and TMP1).

(4) P40 to P42 (port 4) ... 3-state I/O

P40 to P42 function as a 3-bit I/O port that can be set to input or output in 1-bit units.

Besides functioning as an I/O port, these pins operate as serial interface I/O. This port can be set in the port mode or control mode in 1-bit units.

An on-chip pull-up resistor can be connected to P40 to P42 by using pull-up resistor option register 4 (PU4).

(a) Port mode

P40 to P42 can be set in the input or output mode in 1-bit units, by using port mode register 4 (PM4).

(b) Control mode**(i) SIB0 (Serial input) ... input**

This pin inputs the serial receive data of CSIB0.

(ii) SOB0 (Serial output) ... output

This pin outputs the serial transmit data of CSIB0.

(iii) $\overline{\text{SCKB0}}$ (serial clock) ... 3-state I/O

This pin inputs/outputs the serial clock of CSIB0.

(5) P50 to P55 (Port 5) ... 3-state I/O

P50 to P55 function as a 6-bit I/O port that can be set to input or output in 1-bit units.

Besides functioning as an I/O port, these pins operate as timer/counter I/O, debug function I/O, and key interrupt input. This port can be set in the port mode or control mode in 1-bit units.

An on-chip pull-up resistor can be connected to P50 to P55 by using pull-up resistor option register 5 (PU5).

(a) Port mode

P50 to P55 can be set in the input or output mode in 1-bit units, by using port mode register 5 (PM5).

(b) Control mode**(i) KR0 to KR5 (Key return) ... input**

These pins input a key interrupt. Their operation is specified by using the key return mode register (KRM) in the input port mode.

(ii) TIQ00, TIQ01, TIQ02, TIQ03 (Timer input) ... input

These are input pins for timer Q0 (TMQ0).

(iii) TOQ00, TOQ01, TOQ02, TOQ03 (Timer output) ... output

These are output pins for timer Q0 (TMQ0).

(iv) DDI (Debug data input) ... input

This pin inputs debug data to the debug control unit (DCU).

For details, see **CHAPTER 26 ON-CHIP DEBUG FUNCTION**.

(v) DDO (Debug data output) ... output

This pin outputs debug data from the DCU.

For details, see **CHAPTER 26 ON-CHIP DEBUG FUNCTION**.

(iv) DCK (Debug clock input) ... input

This pin inputs a debug clock to the DCU.

For details, see **CHAPTER 26 ON-CHIP DEBUG FUNCTION**.

(vii) DMS (Debug mode select) ... input

This pin selects the debug mode of the DCU.

For details, see **CHAPTER 26 ON-CHIP DEBUG FUNCTION**.

(6) P60 to P615 (Port 6) ... 3-state I/O

P60 to P615 function as a 16-bit I/O port that can be set to input or output in 1-bit units.

Besides functioning as an I/O port, these pins operate as external interrupt request signal input and timer/counter I/O. P60 to P62 can be set in the port mode or control mode in 1-bit units. The valid edge of P60 to P615 is specified by INTR6L and INTF6L registers.

An on-chip pull-up resistor can be connected to P60 to P615 by using pull-up resistor option register 6 (PU6).

(a) Port mode

P60 to P615 can be set in the input or output mode in 1-bit units, by using port mode register 6 (PM6).

(b) Control mode**(i) INTTP11 to INTTP13 (External interrupt request) ... input**

These pins input an external interrupt request signal.

(ii) TIQ20, TIQ21, TIQ22, TIQ23 (Timer input) ... input

These are input pins for timer Q2 (TMQ2).

(iii) TOQ20, TOQ21, TOQ22, TOQ23 (Timer output) ... output

These are output pins for timer Q2 (TMQ2).

(7) P70 to P715 (port 7) ... 3-state I/O

P70 to P715 function as a 16-bit I/O port that can be set to input or output in 1-bit units.

Besides functioning as an I/O port, these pins operate as analog input to the A/D converter in the control mode.

When using the analog input pins, however, set this port in the input mode. At this time, do not read the port.

(a) Port mode

P70 to P715 can be set in the input or output mode in 1-bit units, by using port mode registers 7L and 7H (PM7L and PM7H).

(b) Control mode

P70 to P715 function alternately as the ANI0 to ANI15 pins.

(i) ANI0 to ANI15 (Analog input 0 to 15) ... input

These pins input an analog signal to the A/D converter.

(8) P80 and P81 (port 8) ... 3-state I/O

P80 and P81 function as a 2-bit I/O port that can be set to input or output in 1-bit units.

Besides functioning as an I/O port, these pins operate as external interrupt request signal input, and serial interface I/O^{Note}. P80 and P81 can be set in the port mode or control mode in 1-bit units. The valid edge of each pin is specified by INTR8 and INTF8 registers.

An on-chip pull-up resistor can be connected to P80 and P81 by using pull-up resistor option register 8 (PU8).

(a) Port mode

P80 and P81 can be set in the input or output mode in 1-bit units, by using port mode register 8 (PM8).

(b) Control mode**(i) INTP14 (External interrupt request) ... input**

This pin inputs an external interrupt request signal.

(ii) RXDA3 (Receive data)^{Note} ... input

This pin inputs the serial receive data of UARTA3.

(iii) TXDA3 (Transmit data)^{Note} ... output

This pin outputs the serial transmit data of UARTA3.

Note μ PD70F3711 and 70F3712 only

(9) P90 to P915 (port 9) ... 3-state I/O

P90 to P915 function as a 16-bit I/O port that can be set to input or output in 1-bit units.

Besides functioning as an I/O port, these pins operate as serial interface I/O, timer/counter I/O, clock output, external interrupt request signal input, and key interrupt input. This port can be set in the port mode or control mode in 1-bit units. The valid edge of P913 to P915 is specified by INTR9H and INTF9H registers.

An on-chip pull-up resistor can be connected to P90 to P915 by using pull-up resistor option register 9 (PU9).

(a) Port mode

P90 to P915 can be set in the input or output mode in 1-bit units, by using port mode register 9 (PM9).

(b) Control mode**(i) SIB1, SIB2 (Serial input) ... input**

These pins input the serial receive data of CSIB1 and CSIB2.

(ii) SOB1, SOB2 (Serial output) ... output

These pins output the serial transmit data of CSIB1 and CSIB2.

(iii) $\overline{\text{SCKB1}}$, $\overline{\text{SCKB2}}$ (Serial clock) ... 3-state I/O

These pins input/output the serial clock of CSIB1 and CSIB2.

(iv) RXDA1 (Receive data) ... input

This pin inputs the serial receive data of UARTA1.

(v) TXDA1 (Transmit data) ... output

This pin outputs the serial transmit data of UARTA1.

(vi) TIP20, TIP21 (Timer input) ... input

These are input pins for timer P2 (TMP2).

(vii) TOP20, TOP21 (Timer output) ... output

These are output pins for timer P2 (TMP2).

(viii) TIQ10, TIQ11, TIQ12, TIQ13 (Timer input) ... input

These are input pins for timer Q1 (TMQ1).

(ix) TOQ10, TOQ11, TOQ12, TOQ13 (Timer output) ... output

These are output pins for timer Q1 (TMQ1).

(x) PCL (Clock output) ... output

This pin outputs a clock.

(xi) INTP4 to INTP6 (External interrupt request) ... input

These pins input an external interrupt request signal.

(xii) KR6, KR7 (Key return) ... input

These pins input a key interrupt. Their operation is specified by the key return mode register (KRM) in the input port mode.

(10) P120 to P127 (Port 12) ... 3-state I/O

P120 to P127 function as an 8-bit I/O port that can be set to input or output in 1-bit units.

Besides functioning as an I/O port, these pins operate as the analog input pins of the A/D converter in the control mode. When using this port as analog input pins, however, set the port in the input mode. At this time, do not read the port.

(a) Port mode

P120 to P127 can be set in the input or output mode in 1-bit units, by using port mode register 12 (PM12).

(b) Control mode

P120 to P127 function alternately as the ANI16 to ANI23 pins.

(i) ANI16 to ANI23 (Analog input 16 to 23) ... input

These pins input an analog signal to the A/D converter.

(11) PCD0 to PCD3 (port CD) ... 3-state I/O

PCD0 to PCD3 function as a 4-bit I/O port that can be set to input or output in 1-bit units.

(a) Port mode

PCD0 to PCD3 can be set in the input or output mode in 1-bit units, by using port mode register CD (PMCD).

(12) PCM0 to PCM5 (port CM) ... 3-state I/O

PCM0 to PCM5 function as a 6-bit I/O port that can be set to input or output in 1-bit units.

Besides functioning as an I/O port, these pins operate as bus hold control signal I/O, bus clock output, and a control signal that inserts a wait cycle in the bus cycle ($\overline{\text{WAIT}}$), in the control mode.

(a) Port mode

PCM0 to PCM5 can be set in the input or output mode in 1-bit units, by using port mode register CM (PMCM).

(b) Control mode**(i) $\overline{\text{HLDAK}}$ (Hold acknowledge) ... output**

This pin outputs an acknowledge signal that indicates that the V850ES/HJ2 has placed the address bus, data bus, and control bus in a high-impedance state in response to a bus hold request.

While this signal is active, the address bus, data bus, and control bus go into a high-impedance state.

(ii) $\overline{\text{HLDRQ}}$ (Hold request) ... input

An external device uses this input pin to request the V850ES/HJ2 to release the address bus, data bus, and control bus. A signal can be input to this pin asynchronously to CLKOUT. When this pin is asserted, the V850ES/HJ2 places the address bus, data bus, and control bus in a high-impedance state after completion of a bus cycle under execution, if any, or immediately if no such bus cycle is under execution. The V850ES/HJ2 then asserts the $\overline{\text{HLDAK}}$ signal and releases the buses.

(iii) CLKOUT (Clock output) ... output

This pin outputs an internally generated bus clock.

(iv) $\overline{\text{WAIT}}$ (Wait) ... input

This is a control signal input pin that inserts a data wait state in the bus cycle. A signal can be input to this pin asynchronously to the CLKOUT signal. The signal input to this pin is sampled at the falling edge of the CLKOUT signal in the T2 and TW states of the bus cycle. No wait state may be inserted if the setup/hold time of the sampling timing is not satisfied.

The wait function is set to on or off by port mode control register CM (PMCCM).

(13) PCS0 to PCS7 (port CS) ... 3-state I/O

PCS0 to PCS7 function as an 8-bit I/O port that can be set to input or output in 1-bit units.

Besides functioning as an I/O port, these pins operate as chip select signal output in the control mode.

(a) Port mode

PCS0 to PCS7 can be set in the input or output mode in 1-bit units, by using port mode register CS (PMCS).

(b) Control mode**(i) $\overline{\text{CS0}}$ to $\overline{\text{CS3}}$ (Chip select input) ... output**

These pins output a chip select signal to external memory and external peripheral I/O.

The $\overline{\text{CSn}}$ signal is assigned to memory block n (n = 0 to 3).

This signal is asserted while a bus cycle for accessing the corresponding memory block is being executed.

This signal is deasserted in the idle state (TI).

(14) PCT0 to PCT7 (port CT) ... 3-state I/O

PCT0 to PCT7 function as an 8-bit I/O port that can be set to input or output in 1-bit units.

Besides functioning as an I/O port, these pins operate as control signal output in the control mode when memory is externally expanded.

(a) Port mode

PCT0 to PCT7 can be set in the input or output mode in 1-bit units, by using port mode register CT (PMCT).

(b) Control mode**(i) $\overline{WR0}$ (Lower byte write strobe) ... output**

This pin outputs the write strobe signal of the lower data of the external 16-bit data bus.

(ii) $\overline{WR1}$ (Upper byte write strobe) ... output

This pin outputs the write strobe signal of the higher data of the external 16-bit data bus.

(iii) \overline{RD} (Read strobe) ... output

This pin outputs the read strobe signal of the external 16-bit data bus.

(iv) \overline{ASTB} (Address strobe) ... output

This pin outputs the latch strobe signal of the external address bus. The signal output from this pin goes low at the falling edge of the T1 state of the bus cycle, and goes high at the falling edge of the T3 state. It goes high while the bus cycle is not active.

(15) PDL0 to PDL15 (port DL) ... 3-state I/O

PDL0 to PDL15 function as a 16-bit I/O port that can be set to input or output in 1-bit units.

Besides functioning as an I/O port, these pins operate as a time-division address/data bus (AD0 to AD15) when the memory is externally expanded.

PDL5/AD5 also functions as the FLMD1 pin when the flash memory is programmed (when a high level is input to FLMD0). At this time, be sure to input a low level to the FLMD1 pin.

(a) Port mode

PDL0 to PDL15 can be set in the input or output mode in 1-bit units, by using port mode register DL (PMDL).

(b) Control mode**(i) AD0 to AD15 (Address/Data Bus 0 to 15) ... 3-state I/O**

These are multiplexed address/data bus for external access.

(16) \overline{RESET} (Reset) ... input

\overline{RESET} input is asynchronous input. When a signal with a fixed low level width is input to the \overline{RESET} pin regardless of the operating clock, the system is reset, taking precedence over all the other operations.

This pin is used to release the standby mode (HALT, IDLE, or STOP), as well as for normal initialization/start.

(17) X1, X2 (Crystal for main clock)

These pins are used to connect the resonator that generates the system clock.

(18) XT1, XT2 (Crystal for subclock)

These pins are used to connect the resonator that generates the subclock.

(19) AV_{SS} (Ground for analog)

This is a ground pin for the A/D converter and alternate-function ports.

(20) AV_{REF0} (Analog reference voltage) ... input

This pin supplies positive analog power to the A/D converter and alternate-function ports. It also supplies a reference voltage to the A/D converter.

(21) EV_{DD} (Power supply for port)

This pin supplies positive power to the I/O ports and alternate-function pins.

(22) EV_{SS} (Ground for port)

This is a ground pin for the I/O ports and alternate-function pins.

(23) V_{DD} (Power supply)

This pin supplies positive power. Connect all the V_{DD} pins to a positive power supply.

(24) V_{SS} (Ground)

This is a ground pin. Connect all the V_{SS} pins to ground.

(25) FLMD0 (Flash programming mode) ... input

This is a signal input pin for flash memory programming mode. Connect this pin to V_{SS} in the normal operation mode.

(26) BV_{DD} (Power supply for port)

This pin supplies positive power to the I/O ports and alternate-function pins.

(27) BV_{SS} (Ground for port)

This is a ground pin for the I/O ports and alternate-function pins.

(28) REGC (Regulator control) ... input

This pin connects a capacitor for the regulator.

2.4 Pin I/O Circuit Types and Recommended Connection of Unused Pins

(1/3)

Pin	Pin No.	I/O Circuit Type	Recommended Connection
P00/TIP31/TOP31	6	5-W	Input: Independently connect to EV _{DD} or EV _{SS} via a resistor Output: Leave open
P01/TIP30/TOP30	7		
P02/NMI	17		
P03/INTP0/ADTRG	18		
P04/INTP1	19		
P05/INTP2/ $\overline{\text{DRST}}$	20	5-AF	Input: Independently connect to EV _{SS} Output: Leave open
P06/INTP3	21	5-W	Input: Independently connect to EV _{DD} or EV _{SS} via a resistor Output: Leave open
P10/INTP9	3	5-W	Input: Independently connect to EV _{DD} or EV _{SS} via a resistor Output: Leave open
P11/INTP10	4		
P30/TXDA0	25	5-A	Input: Independently connect to EV _{DD} or EV _{SS} via a resistor Output: Leave open
P31/RXDA0/INTP7	26	5-W	
P32/ASCKA0/TIP00/TOP00/TOP01	27		
P33/TIP01/TOP01	28		
P34/TIP10/TOP10	29		
P35/TIP11/TOP11	30		
P36	31		5-A
P37	32		
P38/TXDA2	35	5-W	
P39/RXDA2/INTP8	36		
P40/SIB0	22	5-W	Input: Independently connect to EV _{DD} or EV _{SS} via a resistor Output: Leave open
P41/SOB0	23	5-A	
P42/ $\overline{\text{SCKB0}}$	24	5-W	
P50/KR0/TIQ01/TOQ01	37	5-W	Input: Independently connect to EV _{DD} or EV _{SS} via a resistor Output: Leave open
P51/KR1/TIQ02/TOQ02	38		
P52/KR2/TIQ03/TOQ03/DDI	39		
P53/KR3/TIQ00/TOQ00/DDO	40		
P54/KR4/DCK	41		
P55/KR5/DMS	42		
P60/INTP11	43		
P61/INTP12	44		
P62/INTP13	45		

Pin	Pin No.	I/O Circuit Type	Recommended Connection
P63	46	5-A	Input: Independently connect to EV _{DD} or EV _{SS} via a resistor Output: Leave open
P64	47		
P65	48		
P66	49		
P67	50		
P68	51		
P69	52		
P610/TIQ20/TOQ20	53	5-W	
P611/TIQ21/TOQ21	54		
P612/TIQ22/TOQ22	55		
P613/TIQ23/TOQ23	56		
P614	57	5-A	
P615	58		
P70/ANI0 to P715/ANI15	144 to 129	11-G	Input: Independently connect to AV _{REF0} or AV _{SS} via a resistor Output: Leave open
P80/RXDA3 ^{Note} /INTP14	59	5-W	Input: Independently connect to EV _{DD} or EV _{SS} via a resistor Output: Leave open
P81/TXDA3 ^{Note}	60	5-A	
P90/KR6/TXDA1	61	5-W	Input: Independently connect to EV _{DD} or EV _{SS} via a resistor Output: Leave open
P91/KR7/RXDA1	62		
P92/TIQ11/TOQ11	63		
P93/TIQ12/TOQ12	64		
P94/TIQ13/TOQ13	65		
P95/TIQ10/TOQ10	66		
P96/TIP21/TOP21	67		
P97/SIB1/TIP20/TOP20	68	5-A	
P98/SOB1	69		
P99/SCKB1	70	5-W	
P910/SIB2	71		
P911/SOB2	72	5-A	
P912/SCKB2	73	5-W	
P913/INTP4/PCL	74	5-W	Input: Independently connect to EV _{DD} or EV _{SS} via a resistor Output: Leave open
P914/INTP5	75		
P915/INTP6	76		
P120/ANI16 to P127/ANI23	128 to 121	11-G	Input: Independently connect to AV _{REF0} or AV _{SS} via a resistor Output: Leave open
PCD0 to PCD3	77 to 80	5	Input: Independently connect to BV _{DD} or BV _{SS} via a resistor Output: Leave open

Note μ PD70F3711, 70F3712 only

Pin	Pin No.	I/O Circuit Type	Recommended Connection
PCM0/ $\overline{\text{WAIT}}$	85	5	Input: Independently connect to BV_{DD} or BV_{SS} via a resistor Output: Leave open
PCM1/ $\overline{\text{CLKOUT}}$	86		
PCM2/ $\overline{\text{HLDAK}}$	87		
PCM3/ $\overline{\text{HLDRQ}}$	88		
PCM4	89		
PCM5	90		
PCS0/ $\overline{\text{CS0}}$ to PCS3/ $\overline{\text{CS3}}$	81 to 84	5	Input: Independently connect to BV_{DD} or BV_{SS} via a resistor Output: Leave open
PCS4 to PCS7	91 to 94		
PCT0/ $\overline{\text{WR0}}$	95	5	Input: Independently connect to BV_{DD} or BV_{SS} via a resistor Output: Leave open
PCT1/ $\overline{\text{WR1}}$	96		
PCT2	97		
PCT3	98		
PCT4/ $\overline{\text{RD}}$	99		
PCT5	100		
PCT6/ $\overline{\text{ASTB}}$	101		
PCT7	102		
PDL0/ $\overline{\text{AD0}}$ to PDL4/ $\overline{\text{AD4}}$	105 to 109	5	Input: Independently connect to BV_{DD} or BV_{SS} via a resistor Output: Leave open
PDL5/ $\overline{\text{AD5}}$ / $\overline{\text{FLMD1}}$	110		
PDL6/ $\overline{\text{AD6}}$ to PDL15/ $\overline{\text{AD15}}$	111 to 120		
AV_{REF0}	1	–	Directly connect to V_{DD}
AV_{SS}	2	–	–
$\overline{\text{FLMD0}}$ ^{Note}	8	–	Directly connect to V_{SS}
REGC	10	–	–
$\overline{\text{RESET}}$	14	2	–
X1	12	–	–
X2	13	–	–
XT1	15	16	Connect to V_{SS} via a resistor
XT2	16	16	Leave open
V_{DD}	9	–	–
V_{SS}	11	–	–
BV_{DD}	104	–	–
BV_{SS}	103	–	–
EV_{DD}	34	–	–
EV_{SS}	33	–	–

Note If noise that exceeds the noise elimination width is input to the $\overline{\text{RESET}}$ pin during self programming, the flash on-board mode may be entered depending on the capacitance charge end timing when a capacitor is connected to the $\overline{\text{FLMD0}}$ pin. Therefore, do not connect a capacitor to the $\overline{\text{FLMD0}}$ pin.

2.5 Pin I/O Circuits

Figure 2-1. Pin I/O Circuit Types (1/2)

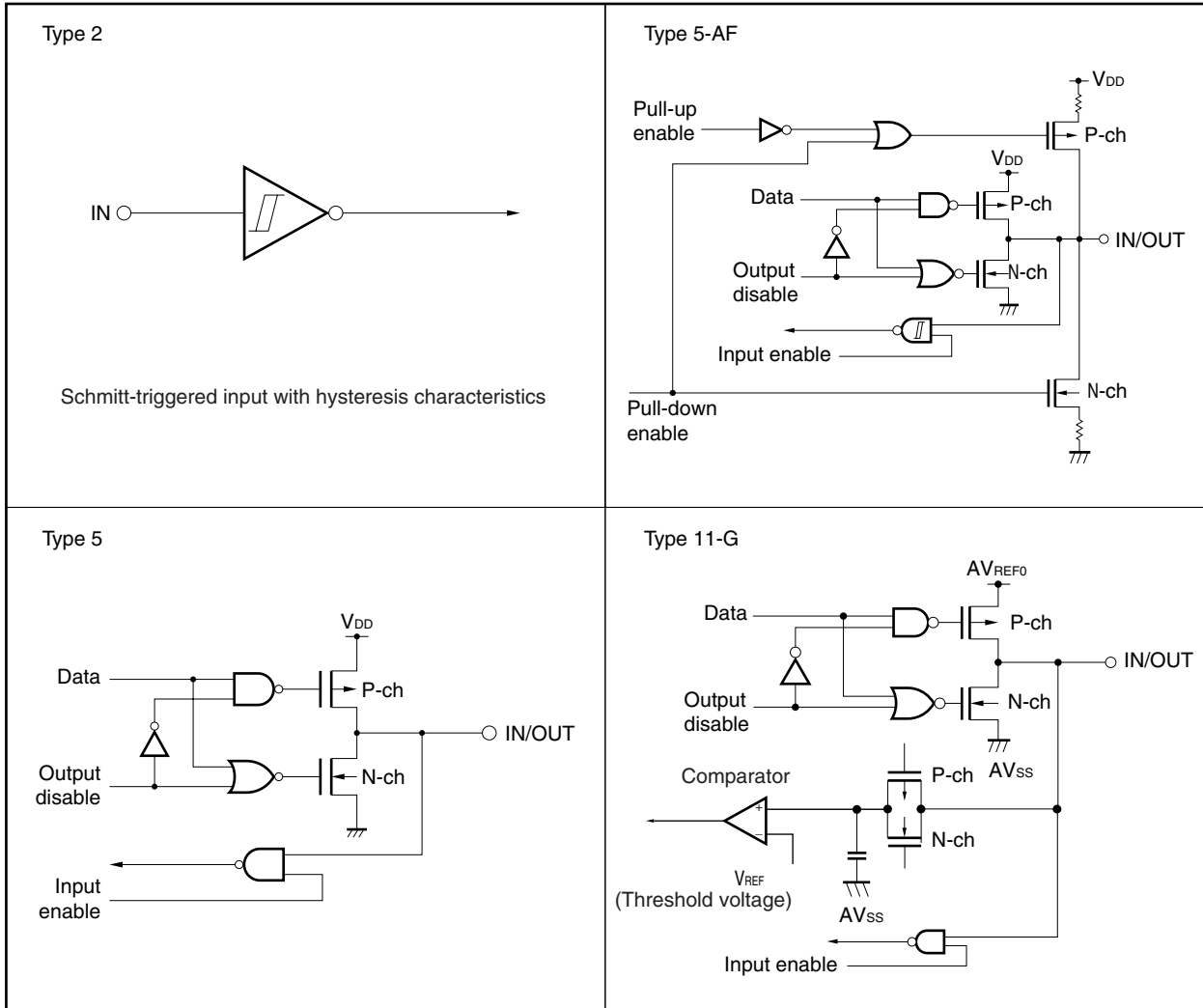
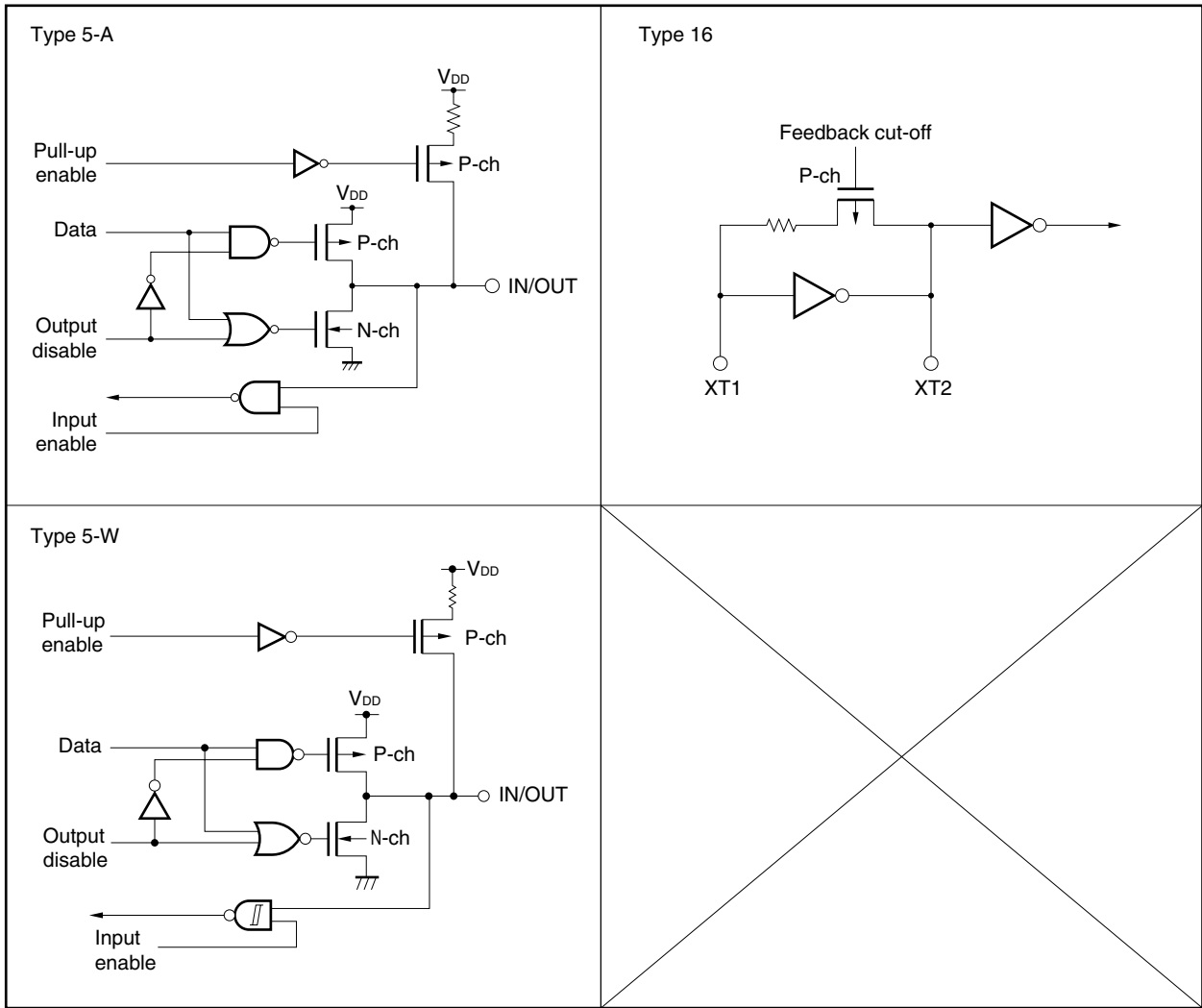


Figure 2-1. Pin I/O Circuit Types (2/2)



Remark Read V_{DD} as EV_{DD} or BV_{DD} . Also, read V_{SS} as EV_{SS} or BV_{SS} .

2.6 Cautions

Note that the following pin may temporarily output an undefined level, even during reset upon power application.
P53/KR3/TIQ00/TOQ00/DDO pin

CHAPTER 3 CPU FUNCTION

The CPU of the V850ES/HJ2 is based on RISC architecture and executes almost all instructions with one clock by using a 5-stage pipeline.

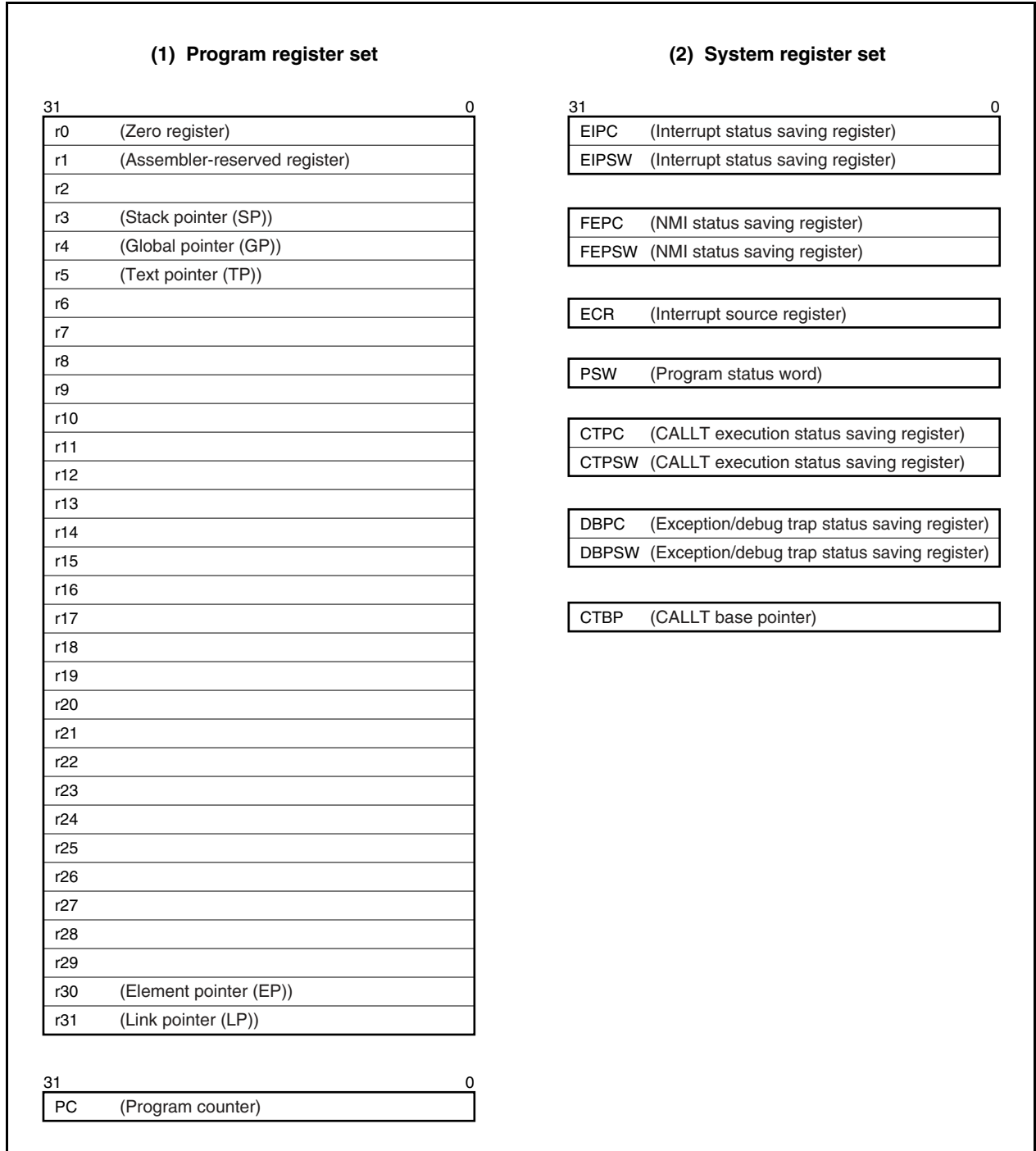
3.1 Features

- Minimum instruction execution time: 50 ns (at 20 MHz operation)
- Memory space Program (physical address) space: 64 MB linear
 Data (logical address) space: 4 GB linear
- General-purpose registers: 32 bits × 32 registers
- Internal 32-bit architecture
- 5-stage pipeline control
- Multiplication/division instruction
- Saturation operation instruction
- 32-bit shift instruction: 1 clock
- Load/store instruction with long/short format
- Four types of bit manipulation instructions
 - SET1
 - CLR1
 - NOT1
 - TST1

3.2 CPU Register Set

The registers of the V850ES/HJ2 can be classified into two types: general-purpose program registers and dedicated system registers. All the registers are 32 bits wide.

For details, refer to the **V850ES Architecture User's Manual**.



3.2.1 Program register set

The program registers include general-purpose registers and a program counter.

(1) General-purpose registers (r0 to r31)

Thirty-two general-purpose registers, r0 to r31, are available. Any of these registers can be used to store a data variable or an address variable.

However, r0 and r30 are implicitly used by instructions and care must be exercised when these registers are used. r0 always holds 0 and is used for an operation that uses 0 or addressing of offset 0. r30 is used by the SLD and SST instructions as a base pointer when these instructions access the memory. r1, r3 to r5, and r31 are implicitly used by the assembler and C compiler. When using these registers, save their contents for protection, and then restore the contents after using the registers. r2 is sometimes used by the real-time OS. If the real-time OS does not use r2, it can be used as a register for variables.

Table 3-1. Program Registers

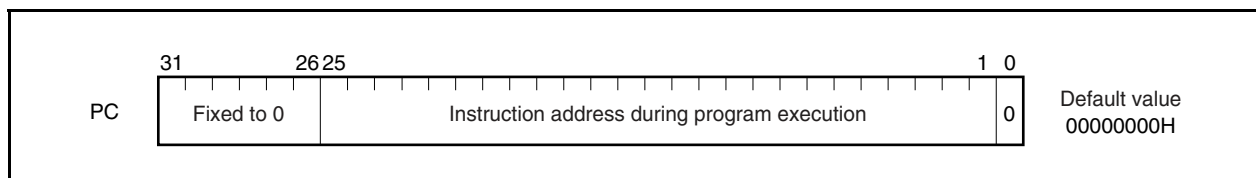
Name	Usage	Operation
r0	Zero register	Always holds 0.
r1	Assembler-reserved register	Used as working register to create 32-bit immediate data
r2	Register for address/data variable (if real-time OS does not use r2)	
r3	Stack pointer	Used to create a stack frame when a function is called
r4	Global pointer	Used to access a global variable in the data area
r5	Text pointer	Used as register that indicates the beginning of a text area (area where program codes are located)
r6 to r29	Register for address/data variable	
r30	Element pointer	Used as base pointer to access memory
r31	Link pointer	Used when the compiler calls a function
PC	Program counter	Holds the instruction address during program execution

Remark For further details on the r1, r3 to r5, and r31 that are used in the assembler and C compiler, refer to the **CA850 (C Compiler Package) Assembly Language User's Manual**.

(2) Program counter (PC)

The program counter holds the instruction address during program execution. The lower 26 bits of this register are valid. Bits 31 to 26 are fixed to 0. A carry from bit 25 to 26 is ignored even if it occurs.

Bit 0 is fixed to 0. This means that execution cannot branch to an odd address.



3.2.2 System register set

The system registers control the status of the CPU and hold interrupt information.

These registers can be read or written by using system register load/store instructions (LDSR and STSR), using the system register numbers listed below.

Table 3-2. System Register Numbers

System Register Number	System Register Name	Operand Specification	
		LDSR Instruction	STSR Instruction
0	Interrupt status saving register (EIPC) ^{Note 1}	√	√
1	Interrupt status saving register (EIPSW) ^{Note 1}	√	√
2	NMI status saving register (FEPC) ^{Note 1}	√	√
3	NMI status saving register (FEPSW) ^{Note 1}	√	√
4	Interrupt source register (ECR)	×	√
5	Program status word (PSW)	√	√
6 to 15	Reserved for future function expansion (operation is not guaranteed if these registers are accessed)	×	×
16	CALLT execution status saving register (CTPC)	√	√
17	CALLT execution status saving register (CTPSW)	√	√
18	Exception/debug trap status saving register (DBPC)	√ ^{Note 2}	√ ^{Note 2}
19	Exception/debug trap status saving register (DBPSW)	√ ^{Note 2}	√ ^{Note 2}
20	CALLT base pointer (CTBP)	√	√
21 to 31	Reserved for future function expansion (operation is not guaranteed if these registers are accessed)	×	×

Notes 1. Because only one set of these registers is available, the contents of these registers must be saved by program if multiple interrupts are enabled.

2. These registers can be accessed only during the interval between the execution of the DBTRAP instruction or illegal opcode and the DBRET instruction.

Caution Even if EIPC or FEPC, or bit 0 of CTPC is set to 1 by the LDSR instruction, bit 0 is ignored when execution is returned to the main routine by the RETI instruction after interrupt servicing (this is because bit 0 of the PC is fixed to 0). Set an even value to EIPC, FEPC, and CTPC (bit 0 = 0).

Remark √: Can be accessed
×: Access prohibited

(1) Interrupt status saving registers (EIPC and EIPSW)

EIPC and EIPSW are used to save the status when an interrupt occurs.

If a software exception or a maskable interrupt occurs, the contents of the program counter (PC) are saved to EIPC, and the contents of the program status word (PSW) are saved to EIPSW (these contents are saved to the NMI status saving registers (FEPC and FEPSW) if a non-maskable interrupt occurs).

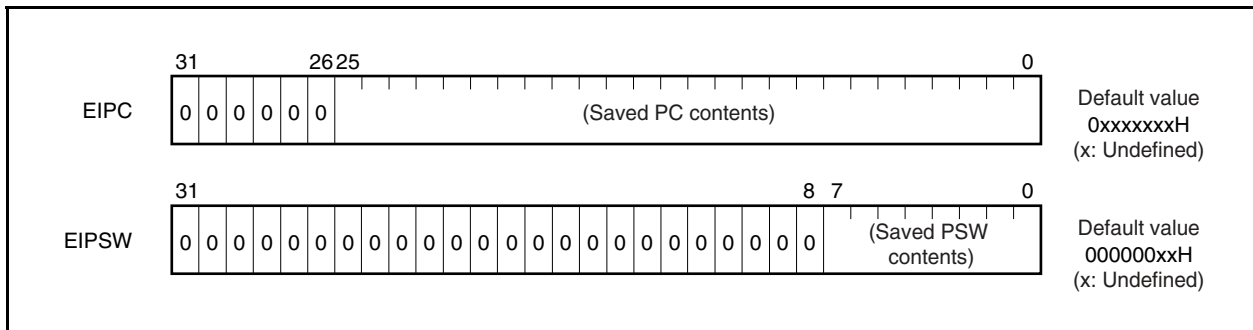
The address of the instruction next to the instruction under execution, except some instructions (see **16.8 Periods in Which Interrupts Are Not Acknowledged by CPU**), is saved to EIPC when a software exception or a maskable interrupt occurs.

The current contents of the PSW are saved to EIPSW.

Because only one set of interrupt status saving registers is available, the contents of these registers must be saved by program when multiple interrupts are enabled.

Bits 31 to 26 of EIPC and bits 31 to 8 of EIPSW are reserved for future function expansion (these bits are always fixed to 0).

The value of EIPC is restored to the PC and the value of EIPSW to the PSW by the RETI instruction.



(2) NMI status saving registers (FEPC and FEPSW)

FEPC and FEPSW are used to save the status when a non-maskable interrupt (NMI) occurs.

If an NMI occurs, the contents of the program counter (PC) are saved to FEPC, and those of the program status word (PSW) are saved to FEPSW.

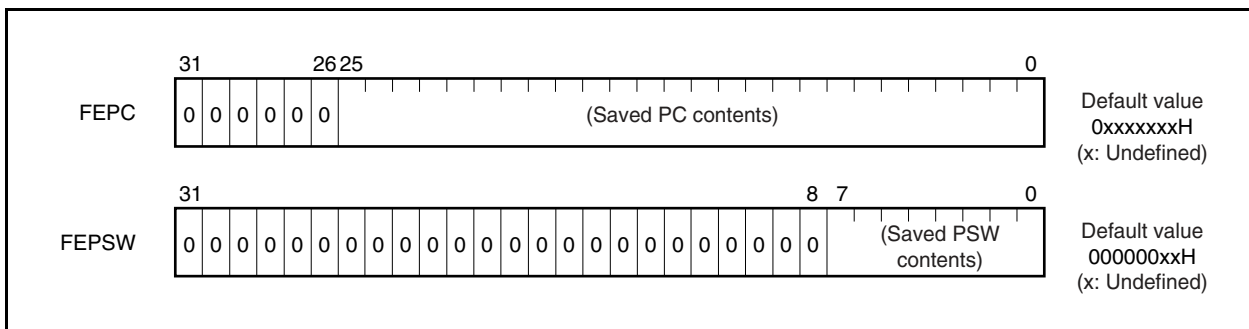
The address of the instruction next to the one of the instruction under execution, except some instructions, is saved to FEPC when an NMI occurs.

The current contents of the PSW are saved to FEPSW.

Because only one set of NMI status saving registers is available, the contents of these registers must be saved by program when multiple interrupts are enabled.

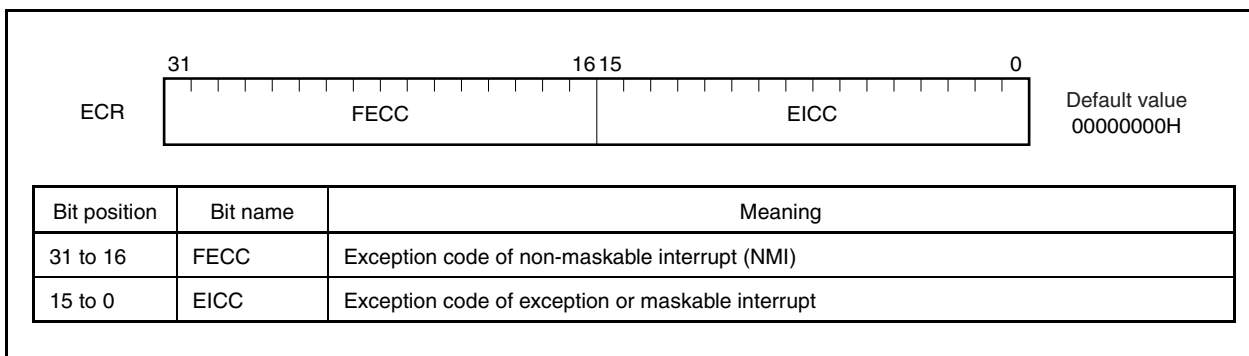
Bits 31 to 26 of FEPC and bits 31 to 8 of FEPSW are reserved for future function expansion (these bits are always fixed to 0).

The value of FEPC is restored to the PC and the value of FEPSW to the PSW by the RETI instruction.



(3) Interrupt source register (ECR)

The interrupt source register (ECR) holds the source of an exception or interrupt if an exception or interrupt occurs. This register holds the exception code of each interrupt source. Because this register is a read-only register, data cannot be written to this register using the LDSR instruction.



(4) Program status word (PSW)

The program status word (PSW) is a collection of flags that indicate the status of the program (result of instruction execution) and the status of the CPU.

If the contents of a bit of this register are changed by using the LDSR instruction, the new contents are validated immediately after completion of LDSR instruction execution. However if the ID flag is set to 1, interrupt requests will not be acknowledged while the LDSR instruction is being executed.

Bits 31 to 8 of this register are reserved for future function expansion (these bits are fixed to 0).

(1/2)



Bit position	Flag name	Meaning
31 to 8	RFU	Reserved field. Fixed to 0.
7	NP	Indicates that a non-maskable interrupt (NMI) is being serviced. This bit is set to 1 when an NMI request is acknowledged, disabling multiple interrupts. 0: NMI is not being serviced. 1: NMI is being serviced.
6	EP	Indicates that an exception is being processed. This bit is set to 1 when an exception occurs. Even if this bit is set, interrupt requests are acknowledged. 0: Exception is not being processed. 1: Exception is being processed.
5	ID	Indicates whether a maskable interrupt can be acknowledged. 0: Interrupt enabled 1: Interrupt disabled
4	SAT ^{Note}	Indicates that the result of a saturation operation has overflowed and is saturated. Because this is a cumulative flag, it is set to 1 when the result of a saturation operation instruction is saturated, and is not cleared to 0 even if the subsequent operation result is not saturated. Use the LDSR instruction to clear this bit. This flag is neither set to 1 nor cleared to 0 by execution of an arithmetic operation instruction. 0: Not saturated 1: Saturated
3	CY	Indicates whether a carry or a borrow occurs as a result of an operation. 0: Carry or borrow does not occur. 1: Carry or borrow occurs.
2	OV ^{Note}	Indicates whether an overflow occurs during operation. 0: Overflow does not occur. 1: Overflow occurs.
1	S ^{Note}	Indicates whether the result of an operation is negative. 0: The result is positive or 0. 1: The result is negative.
0	Z	Indicates whether the result of an operation is 0. 0: The result is not 0. 1: The result is 0.

Remark Also read **Note** on the next page.

Note The result of the operation that has performed saturation processing is determined by the contents of the OV and S flags. The SAT flag is set to 1 only when the OV flag is set to 1 when a saturation operation is performed.

Status of operation result	Flag status			Result of operation of saturation processing
	SAT	OV	S	
Maximum positive value is exceeded	1	1	0	7FFFFFFFH
Maximum negative value is exceeded	1	1	1	80000000H
Positive (maximum value is not exceeded)	Holds value before operation	0	0	Operation result itself
Negative (maximum value is not exceeded)			1	

(5) CALLT execution status saving registers (CTPC and CTPSW)

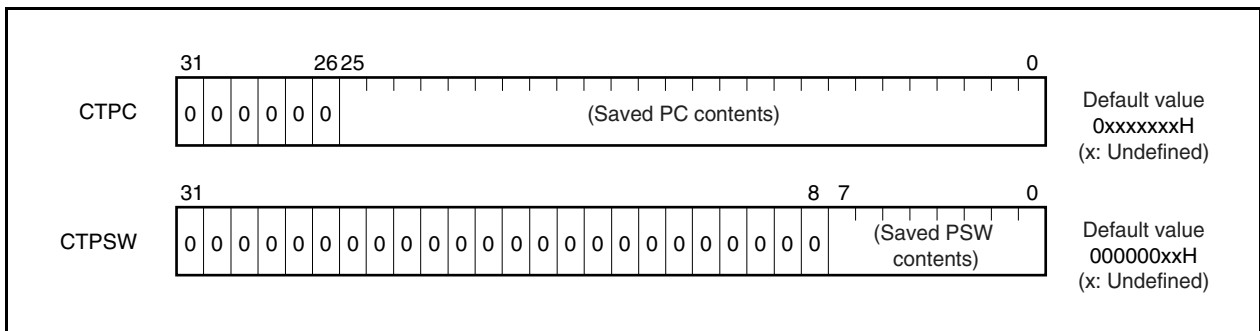
CTPC and CTPSW are CALLT execution status saving registers.

When the CALLT instruction is executed, the contents of the program counter (PC) are saved to CTPC, and those of the program status word (PSW) are saved to CTPSW.

The contents saved to CTPC are the address of the instruction next to CALLT.

The current contents of the PSW are saved to CTPSW.

Bits 31 to 26 of CTPC and bits 31 to 8 of CTPSW are reserved for future function expansion (fixed to 0).



(6) Exception/debug trap status saving registers (DBPC and DBPSW)

DBPC and DBPSW are exception/debug trap status registers.

If an exception trap or debug trap occurs, the contents of the program counter (PC) are saved to DBPC, and those of the program status word (PSW) are saved to DBPSW.

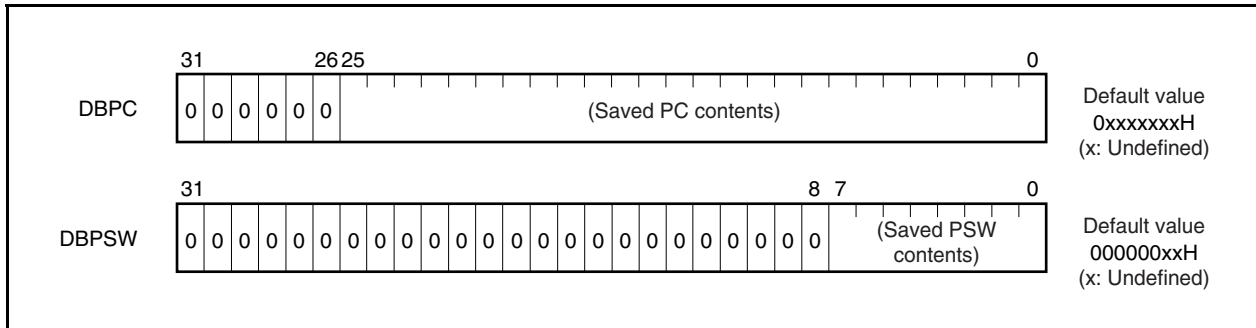
The contents to be saved to DBPC are the address of the instruction next to the one that is being executed when an exception trap or debug trap occurs.

The current contents of the PSW are saved to DBPSW.

This register can be read or written only during the interval between the execution of the DBTRAP instruction or illegal opcode and the DBRET instruction.

Bits 31 to 26 of DBPC and bits 31 to 8 of DBPSW are reserved for future function expansion (fixed to 0).

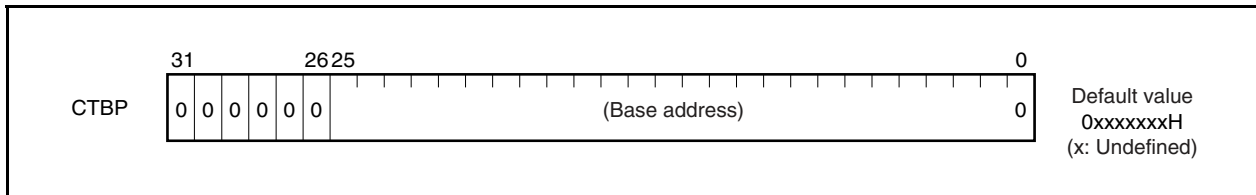
The value of DBPC is restored to the PC and the value of DBPSW to the PSW by the DBRET instruction.



(7) CALLT base pointer (CTBP)

The CALLT base pointer (CTBP) is used to specify a table address or generate a target address (bit 0 is fixed to 0).

Bits 31 to 26 of this register are reserved for future function expansion (fixed to 0).



3.3 Operation Modes

The V850ES/HJ2 has the following operation modes.

(1) Normal operation mode

In this mode, each pin related to the bus interface is set to the port mode after system reset has been released. Execution branches to the reset entry address of the internal ROM, and then instruction processing is started.

(2) Flash memory programming mode

In this mode, the internal flash memory can be programmed by using a flash programmer.

(3) On-chip debug mode

The V850ES/HJ2 is provided with an on-chip debug function that employs the JTAG (Joint Test Action Group) communication specifications.

For details, see **CHAPTER 26 ON-CHIP DEBUG FUNCTION**.

3.3.1 Specifying operation mode

Specify the operation mode by using the FLMD0 and FLMD1 pins.

In the normal mode, input a low level to the FLMD0 pin when reset is released.

In the flash memory programming mode, a high level is input to the FLMD0 pin from the flash programmer if a flash programmer is connected, but it must be input from an external circuit in the self-programming mode.

Operation When Reset Is Released		Operation Mode After Reset
FLMD0	FLMD1	
L	×	Normal operation mode
H	L	Flash memory programming mode
H	H	Setting prohibited

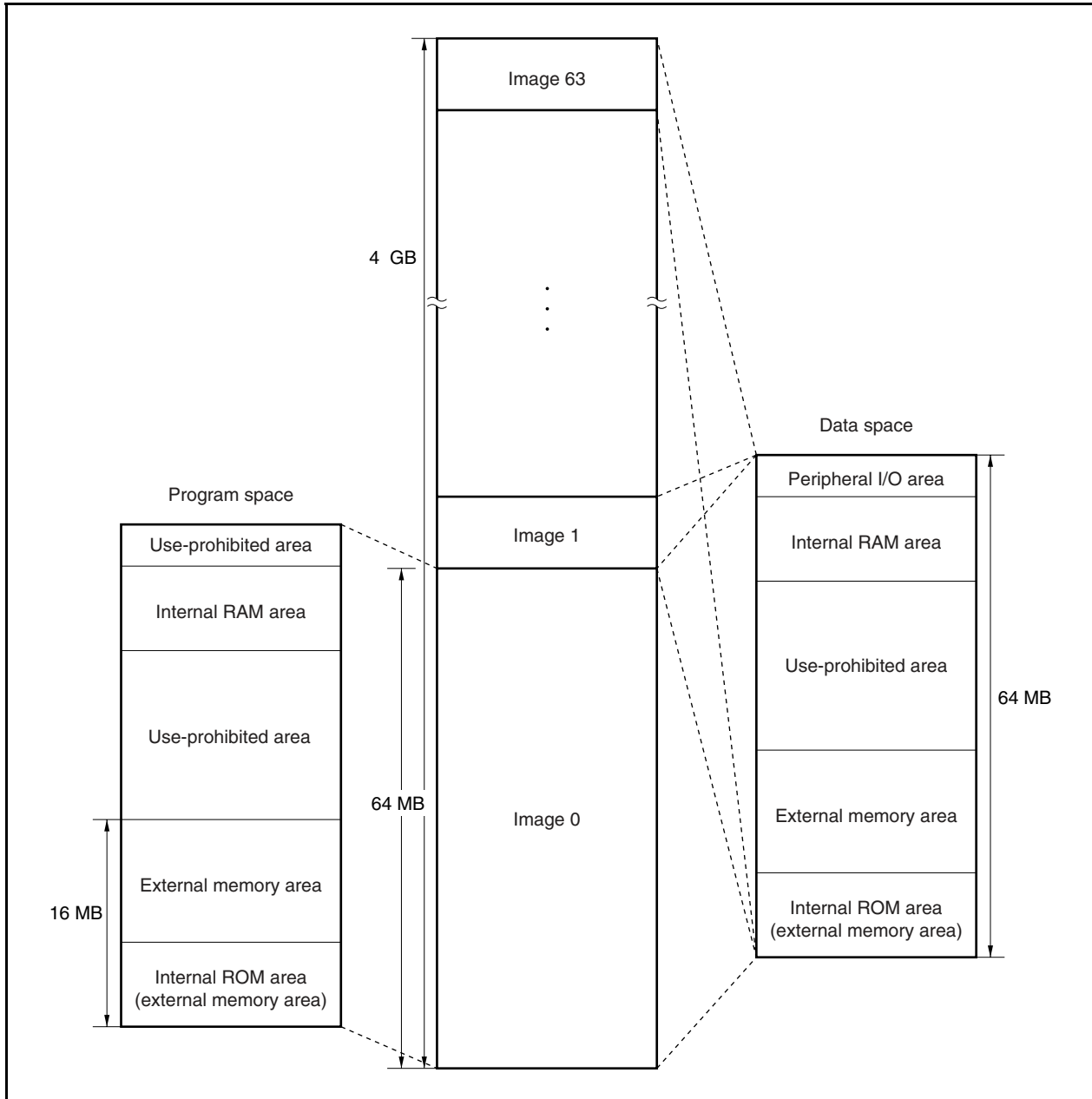
Remark L: Low-level input
H: High-level input
×: Don't care

3.4 Address Space

3.4.1 CPU address space

For instruction addressing, up to a combined total of 16 MB of external memory area and internal ROM area, plus an internal RAM area, are supported in a linear address space (program space) of up to 64 MB. For operand addressing (data access), up to 4 GB of a linear address space (data space) is supported. The 4 GB address space, however, is viewed as 64 images of a 64 MB physical address space. This means that the same 64 MB physical address space is accessed regardless of the value of bits 31 to 26.

Figure 3-1. Image on Address Space



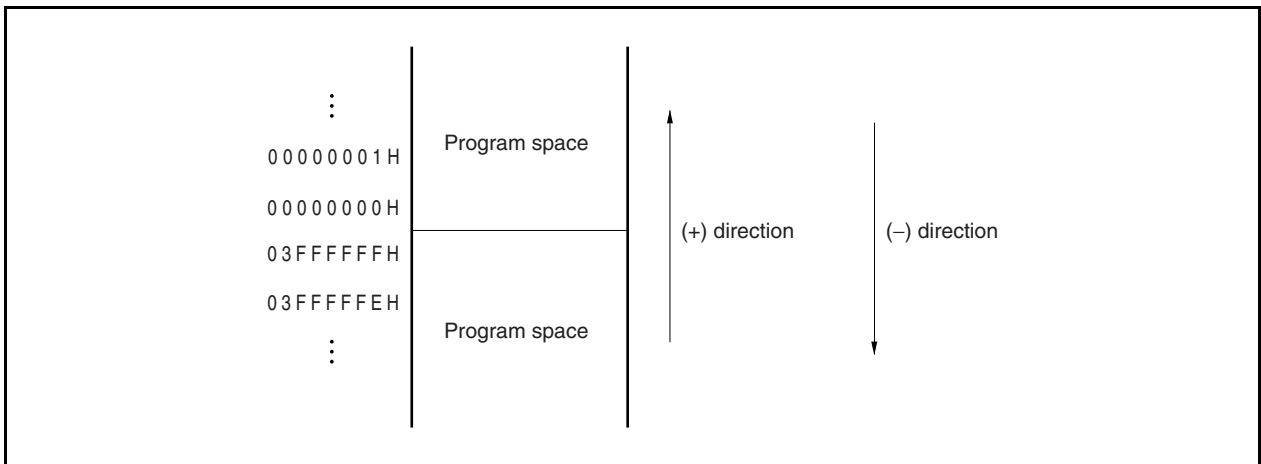
3.4.2 Wraparound of CPU address space

(1) Program space

Of the 32 bits of the PC (program counter), the higher 6 bits are fixed to 0 and only the lower 26 bits are valid. The higher 6 bits ignore a carry or borrow from bit 25 to 26 during branch address calculation.

Therefore, the highest address of the program space, 03FFFFFFH, and the lowest address, 00000000H, are contiguous addresses. That the highest address and the lowest address of the program space are contiguous in this way is called wraparound.

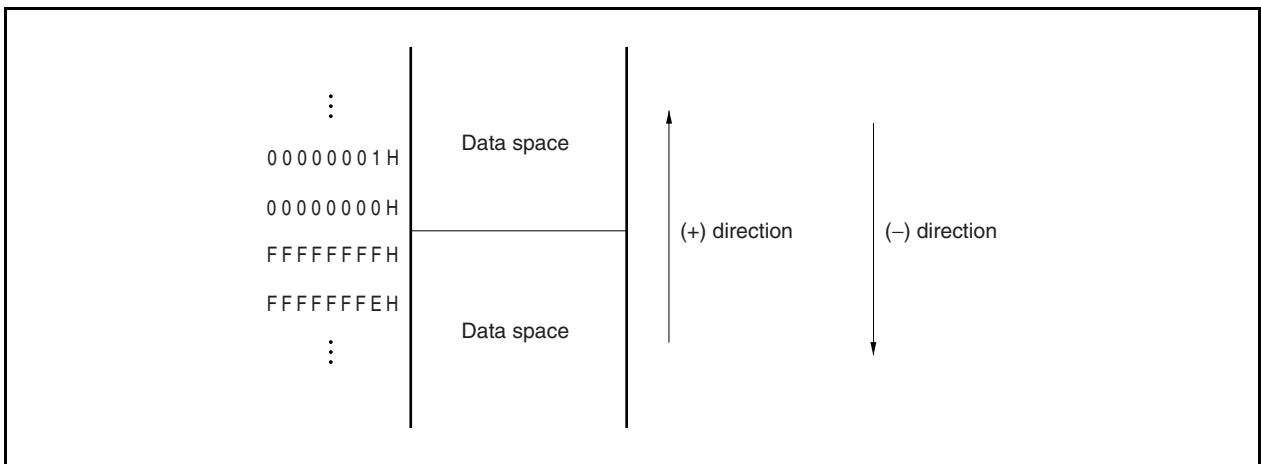
Caution Because the 4 KB area of addresses 03FFF000H to 03FFFFFFH is an on-chip peripheral I/O area, instructions cannot be fetched from this area. Therefore, do not execute an operation in which the result of a branch address calculation affects this area.



(2) Data space

The result of an operand address calculation operation that exceeds 32 bits is ignored.

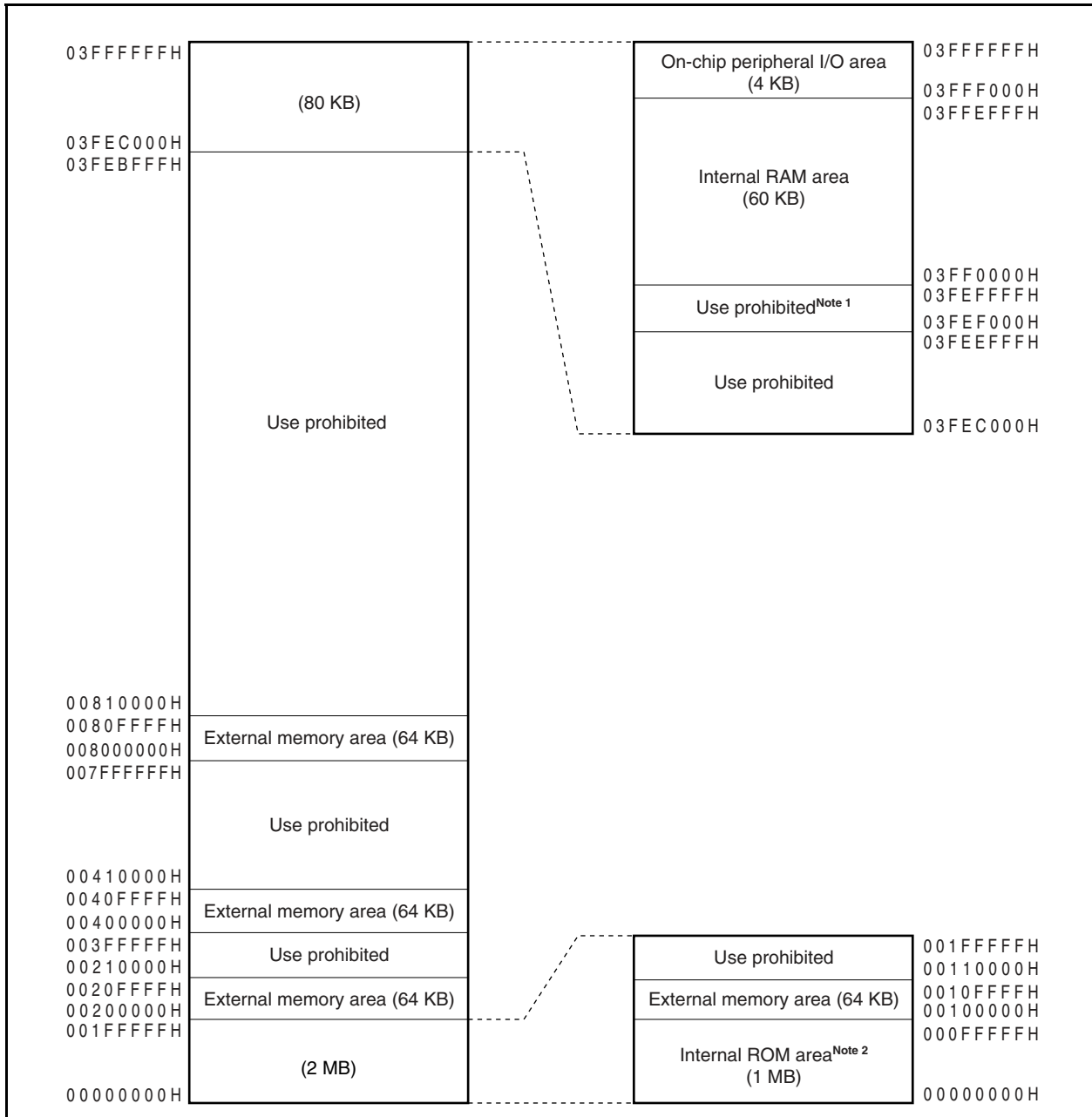
Therefore, the highest address of the data space, FFFFFFFFH, and the lowest address, 00000000H, are contiguous, and wraparound occurs at the boundary of these addresses.



3.4.3 Memory map

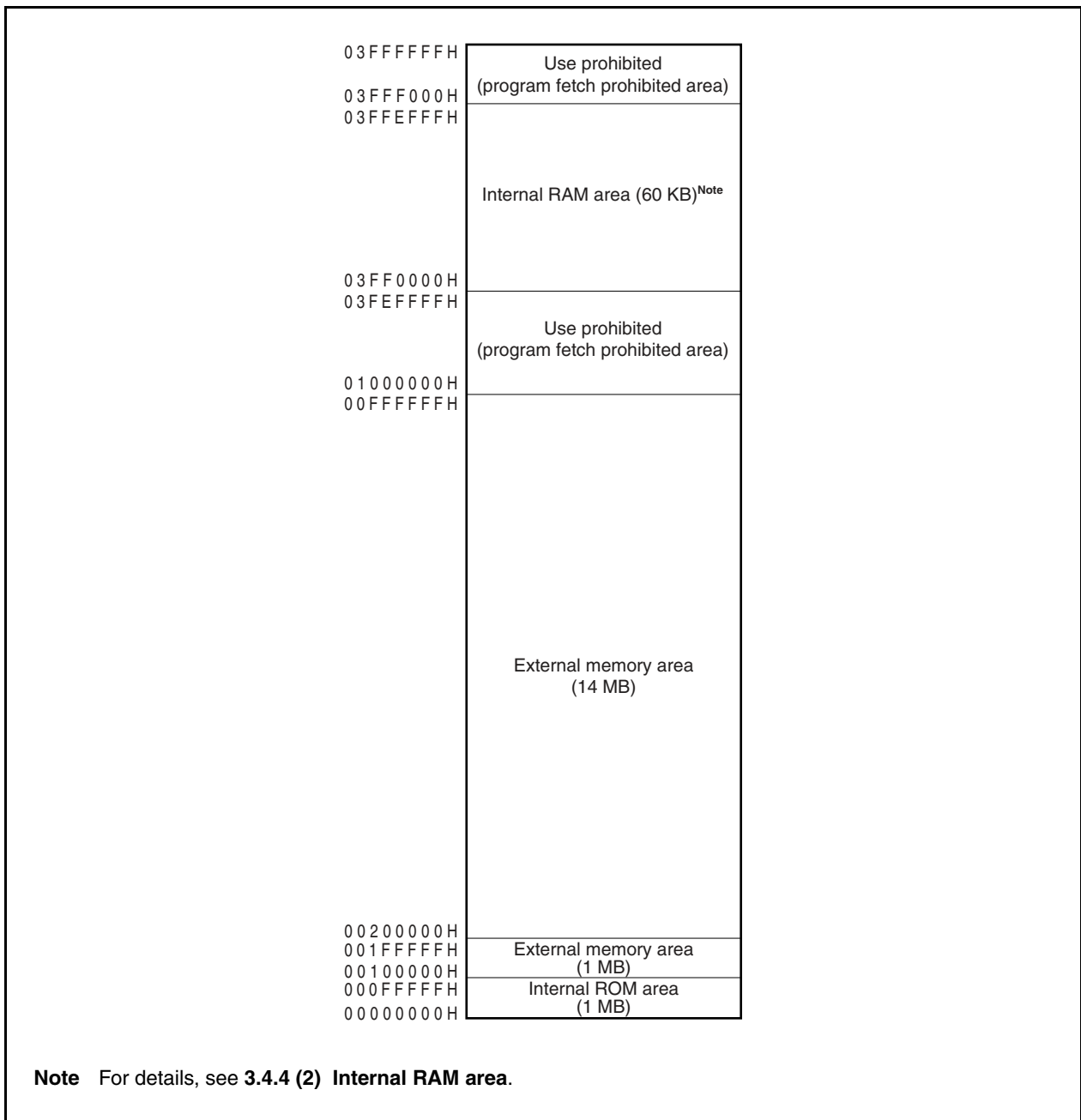
The areas shown below are reserved in the V850ES/HJ2.

Figure 3-2. Data Memory Map (Physical Addresses)



- Notes 1.** Use of addresses 03FEF000H to 03FEFFFFH is prohibited because these addresses are in the same area as the on-chip peripheral I/O area.
- 2.** Fetch access and read access to addresses 00000000H to 000FFFFFFH is made to the internal ROM area. However, data write access to these addresses is made to the external memory area.

Figure 3-3. Program Memory Map



3.4.4 Areas

(1) Internal ROM area

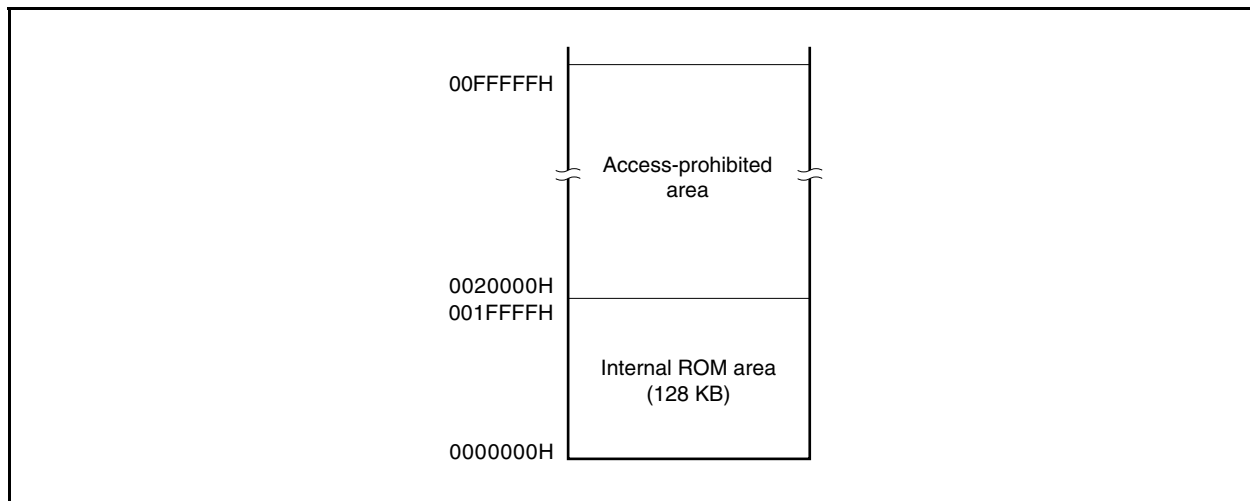
Up to 1 MB is reserved as an internal ROM area.

(a) Internal ROM (128 KB)

128 KB are allocated to addresses 0000000H to 001FFFFH in the μ PD70F3709.

Accessing addresses 0020000H to 00FFFFFFH is prohibited.

Figure 3-4. Internal ROM Area (128 KB)

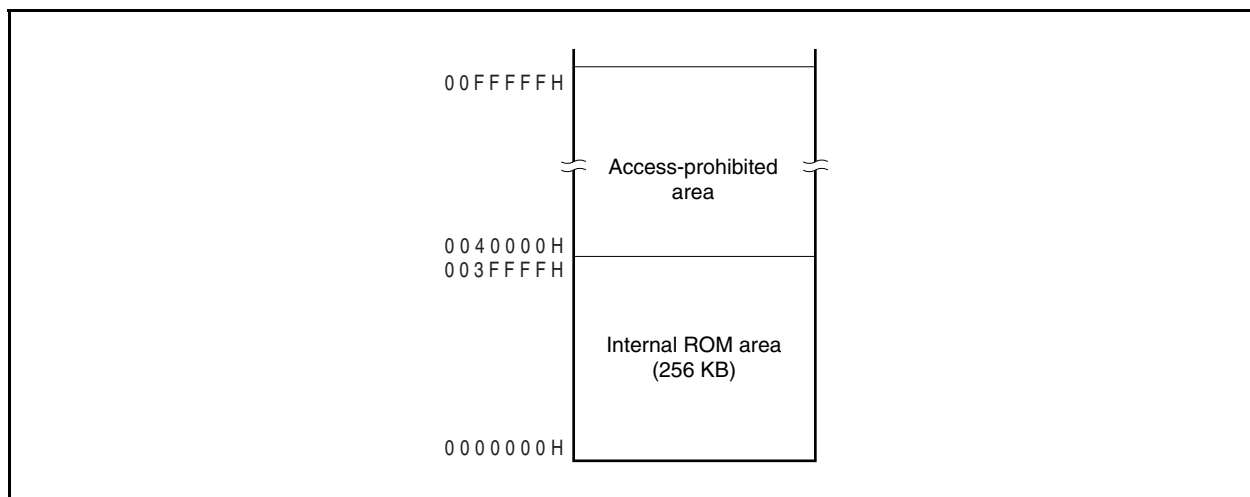


(b) Internal ROM (256 KB)

256 KB are allocated to addresses 00000000H to 0003FFFFH in the μ PD70F3710.

Accessing addresses 00040000H to 000FFFFFFH is prohibited.

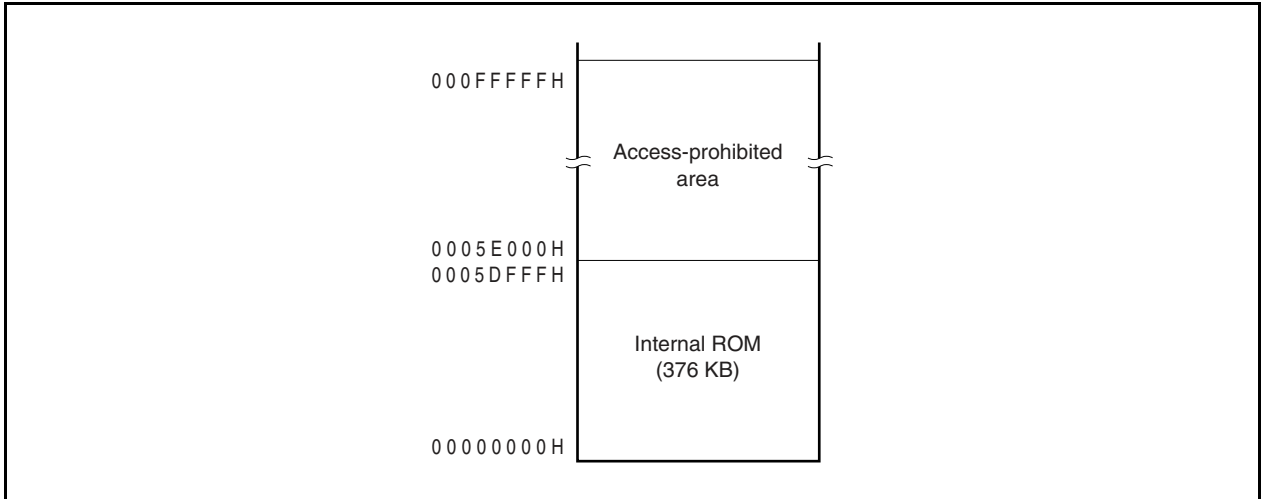
Figure 3-5. Internal ROM Area (256 KB)



(c) Internal ROM (376 KB)

376 KB are allocated to addresses 00000000H to 0005DFFFH in the μ PD70F3711.
 Accessing addresses 0005E000H to 000FFFFFFH is prohibited.

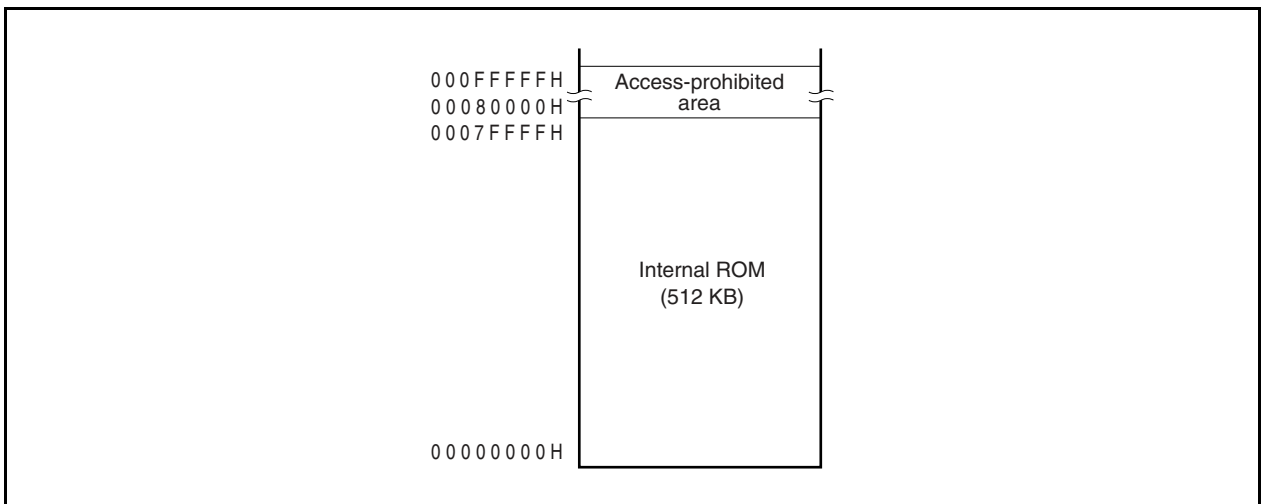
Figure 3-6. Internal ROM Area (376 KB)



(d) Internal ROM (512 KB)

512 KB are allocated to addresses 00000000H to 0007FFFFH in the μ PD70F3712.
 Accessing addresses 00080000H to 000FFFFFFH is prohibited.

Figure 3-7. Internal ROM Area (512 KB)



(2) Internal RAM area

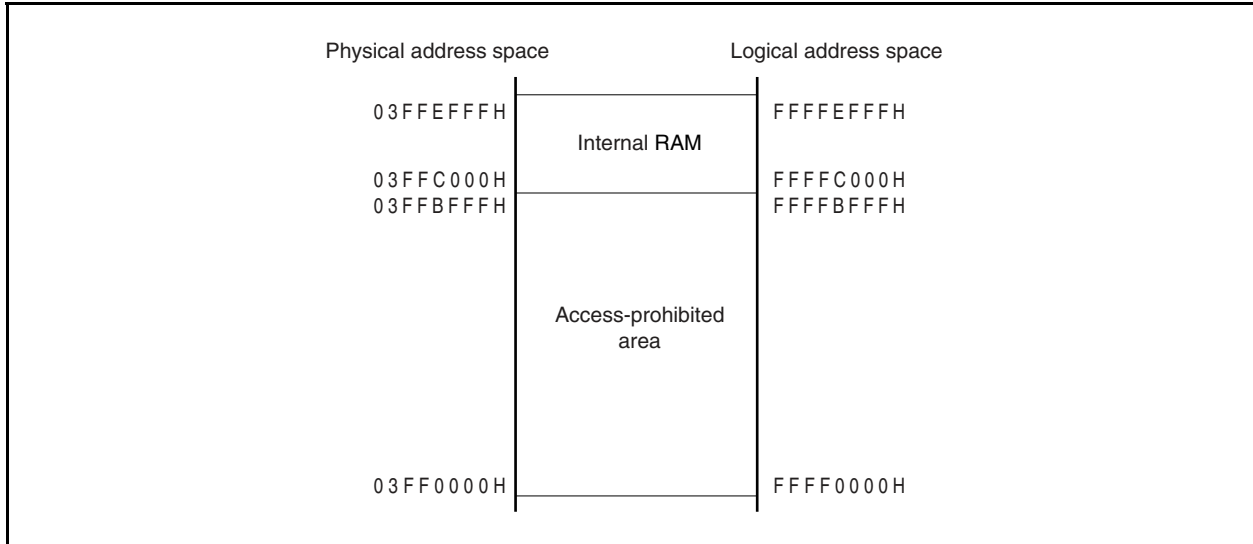
Up to 60 KB are reserved as the internal RAM area.

(a) Internal RAM (12 KB)

12 KB are allocated to addresses 03FFC000H to 03FFEFFFH in the following versions.
Accessing addresses 03FF0000H to 03FFBFFFH is prohibited.

- μ PD70F3709, 70F3710

Figure 3-8. Internal RAM Area (12 KB)

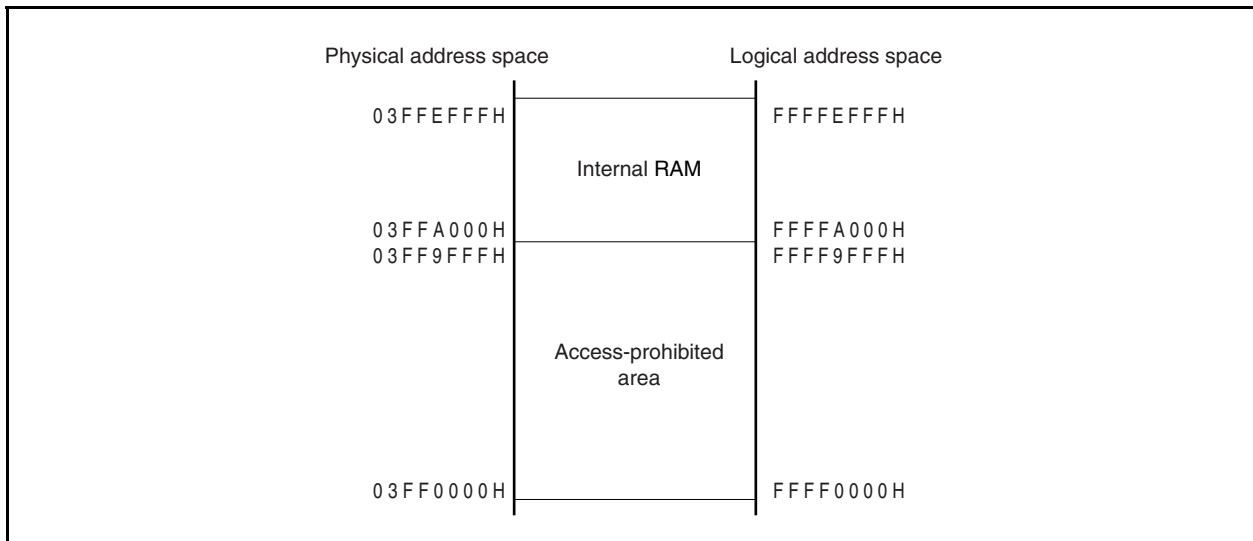


(b) Internal RAM (20 KB)

20 KB are allocated to addresses 03FFA000H to 03FFEFFFH in the following versions.
Accessing addresses 03FF0000H to 03FF9FFFH is prohibited.

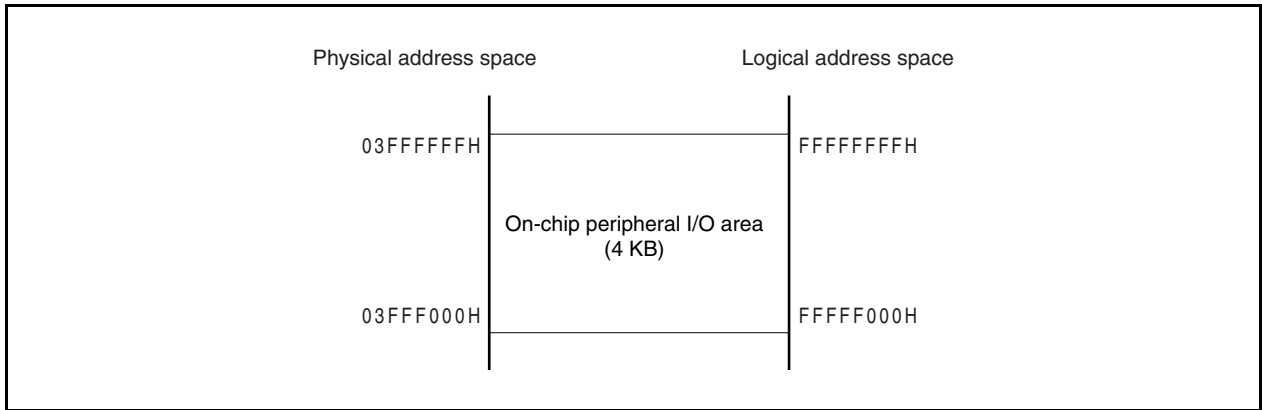
- μ PD70F3711, 70F3712

Figure 3-9. Internal RAM Area (20 KB)



(3) On-chip peripheral I/O area

4 KB of addresses 03FFF000H to 03FFFFFFH are reserved as the on-chip peripheral I/O area.

Figure 3-10. On-Chip Peripheral I/O Area

Peripheral I/O registers that have functions to specify the operation mode for and monitor the status of the on-chip peripheral I/O are mapped to the on-chip peripheral I/O area. Program cannot be fetched from this area.

- Cautions**
1. When a register is accessed in word units, a word area is accessed twice in halfword units in the order of lower area and higher area, with the lower 2 bits of the address ignored.
 2. If a register that can be accessed in byte units is accessed in halfword units, the higher 8 bits are undefined when the register is read, and data is written to the lower 8 bits.
 3. Addresses not defined as registers are reserved for future expansion. The operation is undefined and not guaranteed when these addresses are accessed.

(4) External memory area

256 KB are allocated as the external memory area. For details, see **CHAPTER 5 BUS CONTROL FUNCTION**.

3.4.5 Recommended use of address space

The architecture of the V850ES/HJ2 requires that a register that serves as a pointer be secured for address generation when operand data in the data space is accessed. The address stored in this pointer ± 32 KB can be directly accessed by an instruction for operand data. Because the number of general-purpose registers that can be used as a pointer is limited, however, by keeping the performance from dropping during address calculation when a pointer value is changed, as many general-purpose registers as possible can be secured for variables, and the program size can be reduced.

(1) Program space

Of the 32 bits of the PC (program counter), the higher 6 bits are fixed to 0, and only the lower 26 bits are valid. Regarding the program space, therefore, a 64 MB space of contiguous addresses starting from 00000000H unconditionally corresponds to the memory map.

To use the internal RAM area as the program space, access following addresses.

Caution If a branch instruction is at the upper limit of the internal RAM area, a prefetch operation (invalid fetch) straddling the on-chip peripheral I/O area does not occur.

RAM Size	Access Address
20 KB	03FFA000H to 03FFEFFFH
12 KB	03FFC000H to 03FFEFFFH

(2) Data space

With the V850ES/HJ2, it seems that there are sixty-four 64 MB address spaces on the 4 GB CPU address space. Therefore, the least significant bit (bit 25) of a 26-bit address is sign-extended to 32 bits and allocated as an address.

(a) Application example of wraparound

If R = r0 (zero register) is specified for the LD/ST disp16 [R] instruction, a range of addresses 00000000H ±32 KB can be addressed by sign-extended disp16. All the resources, including the internal hardware, can be addressed by one pointer.

The zero register (r0) is a register fixed to 0 by hardware, and practically eliminates the need for registers dedicated to pointers.

Figure 3-11. Wraparound (μ PD70F3712)

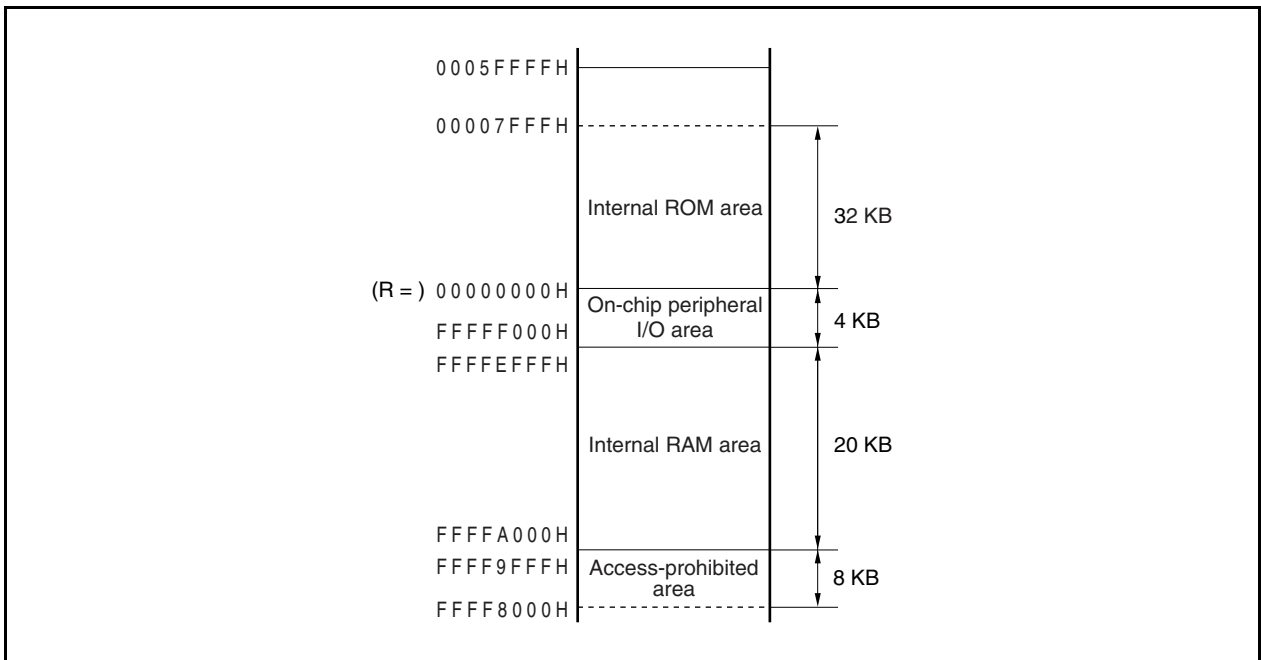
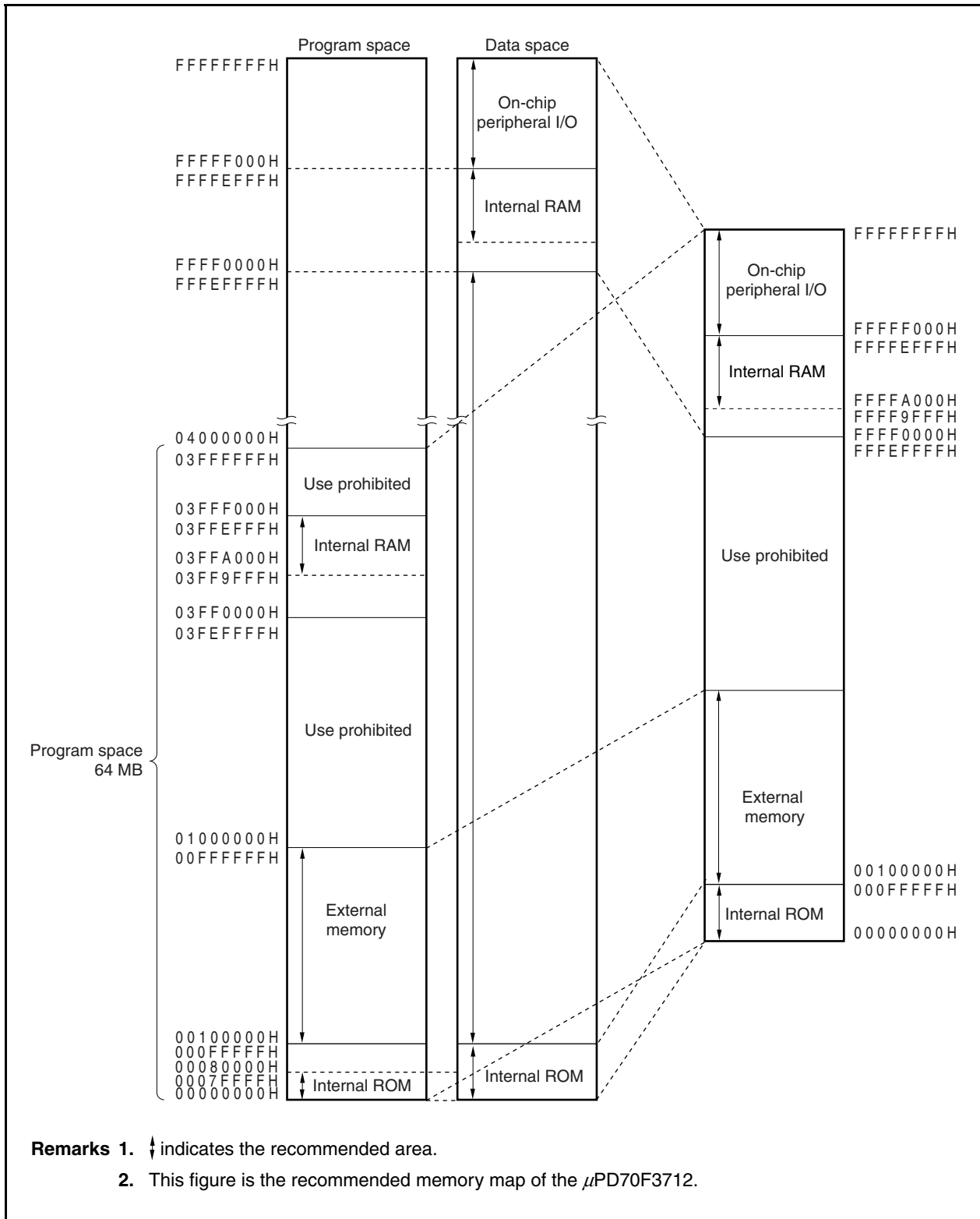


Figure 3-12. Recommended Memory Map



3.4.6 Peripheral I/O registers

(1/11)

Address	Function Register Name	Symbol	R/W	Manipulatable Bits			Default Value
				1	8	16	
FFFFF004H	Port DL	PDL	R/W			√	Undefined
FFFFF004H	Port DLL	PDLL		√	√		Undefined
FFFFF005H	Port DLH	PDLH		√	√		Undefined
FFFFF008H	Port CS	PCS		√	√		Undefined
FFFFF00AH	Port CT	PCT		√	√		Undefined
FFFFF00CH	Port CM	PCM		√	√		Undefined
FFFFF00EH	Port CD	PCD		√	√		Undefined
FFFFF024H	Port mode register DL	PMDL				√	FFFFH
FFFFF024H	Port mode register DLL	PMDLL		√	√		FFH
FFFFF025H	Port mode register DLH	PMDLH		√	√		FFH
FFFFF028H	Port mode register CS	PMCS		√	√		FFH
FFFFF02AH	Port mode register CT	PMCT		√	√		FFH
FFFFF02CH	Port mode register CM	PMCM		√	√		FFH
FFFFF02EH	Port mode register CD	PMCD		√	√		FFH
FFFFF044H	Port mode control register DL	PMCDL				√	0000H
FFFFF044H	Port mode control register DLL	PMCDLL		√	√		00H
FFFFF045H	Port mode control register DLH	PMCDLH		√	√		00H
FFFFF048H	Port mode control register CS	PMCCS		√	√		00H
FFFFF04AH	Port mode control register CT	PMCCCT		√	√		00H
FFFFF04CH	Port mode control register CM	PMCCM		√	√		00H
FFFFF066H	Bus size configuration register	BSC				√	5555H
FFFFF06EH	System wait control register	VSWC			√		77H
FFFFF080H	DMA source address register 0L	DSA0L				√	Undefined
FFFFF082H	DMA source address register 0H	DSA0H				√	Undefined
FFFFF084H	DMA destination address register 0L	DDA0L				√	Undefined
FFFFF086H	DMA destination address register 0H	DDA0H				√	Undefined
FFFFF088H	DMA source address register 1L	DSA1L				√	Undefined
FFFFF08AH	DMA source address register 1H	DSA1H				√	Undefined
FFFFF08CH	DMA destination address register 1L	DDA1L				√	Undefined
FFFFF08EH	DMA destination address register 1H	DDA1H				√	Undefined
FFFFF090H	DMA source address register 2L	DSA2L				√	Undefined
FFFFF092H	DMA source address register 2H	DSA2H			√	Undefined	
FFFFF094H	DMA destination address register 2L	DDA2L			√	Undefined	
FFFFF096H	DMA destination address register 2H	DDA2H			√	Undefined	
FFFFF098H	DMA source address register 3L	DSA3L			√	Undefined	
FFFFF09AH	DMA source address register 3H	DSA3H			√	Undefined	
FFFFF09CH	DMA destination address register 3L	DDA3L			√	Undefined	
FFFFF09EH	DMA destination address register 3H	DDA3H			√	Undefined	
FFFFF0C0H	DMA transfer count register 0	DBC0			√	Undefined	
FFFFF0C2H	DMA transfer count register 1	DBC1			√	Undefined	
FFFFF0C4H	DMA transfer count register 2	DBC2			√	Undefined	
FFFFF0C6H	DMA transfer count register 3	DBC3			√	Undefined	

Address	Function Register Name	Symbol	R/W	Manipulatable Bits			Default Value
				1	8	16	
FFFFFF0D0H	DMA addressing control register 0	DADC0	R/W			√	0000H
FFFFFF0D2H	DMA addressing control register 1	DADC1				√	0000H
FFFFFF0D4H	DMA addressing control register 2	DADC2				√	0000H
FFFFFF0D6H	DMA addressing control register 3	DADC3				√	0000H
FFFFFF0E0H	DMA channel control register 0	DCHC0		√	√		00H
FFFFFF0E2H	DMA channel control register 1	DCHC1		√	√		00H
FFFFFF0E4H	DMA channel control register 2	DCHC2		√	√		00H
FFFFFF0E6H	DMA channel control register 3	DCHC3		√	√		00H
FFFFFF100H	Interrupt mask register 0	IMR0				√	FFFFH
FFFFFF100H	Interrupt mask register 0L	IMR0L		√	√		FFH
FFFFFF101H	Interrupt mask register 0H	IMR0H		√	√		FFH
FFFFFF102H	Interrupt mask register 1	IMR1				√	FFFFH
FFFFFF102H	Interrupt mask register 1L	IMR1L		√	√		FFH
FFFFFF103H	Interrupt mask register 1H	IMR1H		√	√		FFH
FFFFFF104H	Interrupt mask register 2	IMR2				√	FFFFH
FFFFFF104H	Interrupt mask register 2L	IMR2L		√	√		FFH
FFFFFF105H	Interrupt mask register 2H	IMR2H		√	√		FFH
FFFFFF106H	Interrupt mask register 3	IMR3				√	FFFFH
FFFFFF106H	Interrupt mask register 3L	IMR3L		√	√		FFH
FFFFFF107H	Interrupt mask register 3H	IMR3H		√	√		FFH
FFFFFF108H	Interrupt mask register 4	IMR4				√	FFFFH
FFFFFF108H	Interrupt mask register 4L	IMR4L		√	√		FFH
FFFFFF109H	Interrupt mask register 4H	IMR4H		√	√		FFH
FFFFFF110H	Interrupt control register	LVIIC		√	√		47H
FFFFFF112H	Interrupt control register	PIC0		√	√		47H
FFFFFF114H	Interrupt control register	PIC1		√	√		47H
FFFFFF116H	Interrupt control register	PIC2		√	√		47H
FFFFFF118H	Interrupt control register	PIC3		√	√		47H
FFFFFF11AH	Interrupt control register	PIC4		√	√		47H
FFFFFF11CH	Interrupt control register	PIC5		√	√		47H
FFFFFF11EH	Interrupt control register	PIC6		√	√		47H
FFFFFF120H	Interrupt control register	PIC7		√	√		47H
FFFFFF122H	Interrupt control register	TQ0OVIC	√	√		47H	
FFFFFF124H	Interrupt control register	TQ0CCIC0	√	√		47H	
FFFFFF126H	Interrupt control register	TQ0CCIC1	√	√		47H	
FFFFFF128H	Interrupt control register	TQ0CCIC2	√	√		47H	
FFFFFF12AH	Interrupt control register	TQ0CCIC3	√	√		47H	
FFFFFF12CH	Interrupt control register	TP0OVIC	√	√		47H	
FFFFFF12EH	Interrupt control register	TP0CCIC0	√	√		47H	
FFFFFF130H	Interrupt control register	TP0CCIC1	√	√		47H	
FFFFFF132H	Interrupt control register	TP1OVIC	√	√		47H	
FFFFFF134H	Interrupt control register	TP1CCIC0	√	√		47H	

Address	Function Register Name	Symbol	R/W	Manipulatable Bits			Default Value
				1	8	16	
FFFFFF136H	Interrupt control register	TP1CCIC1	R/W	√	√		47H
FFFFFF138H	Interrupt control register	TP2OVIC		√	√		47H
FFFFFF13AH	Interrupt control register	TP2CCIC0		√	√		47H
FFFFFF13CH	Interrupt control register	TP2CCIC1		√	√		47H
FFFFFF13EH	Interrupt control register	TP3OVIC		√	√		47H
FFFFFF140H	Interrupt control register	TP3CCIC0		√	√		47H
FFFFFF142H	Interrupt control register	TP3CCIC1		√	√		47H
FFFFFF144H	Interrupt control register	TM0EQIC0		√	√		47H
FFFFFF146H	Interrupt control register	CB0RIC		√	√		47H
FFFFFF148H	Interrupt control register	CB0TIC		√	√		47H
FFFFFF14AH	Interrupt control register	CB1RIC		√	√		47H
FFFFFF14CH	Interrupt control register	CB1TIC		√	√		47H
FFFFFF14EH	Interrupt control register	UA0RIC		√	√		47H
FFFFFF150H	Interrupt control register	UA0TIC		√	√		47H
FFFFFF152H	Interrupt control register	UA1RIC		√	√		47H
FFFFFF154H	Interrupt control register	UA1TIC		√	√		47H
FFFFFF156H	Interrupt control register	ADIC		√	√		47H
FFFFFF160H	Interrupt control register	KRIC		√	√		47H
FFFFFF162H	Interrupt control register	WTIC		√	√		47H
FFFFFF164H	Interrupt control register	WTIC		√	√		47H
FFFFFF166H	Interrupt control register	PIC8		√	√		47H
FFFFFF168H	Interrupt control register	PIC9		√	√		47H
FFFFFF16AH	Interrupt control register	PIC10		√	√		47H
FFFFFF16CH	Interrupt control register	TQ1OVIC		√	√		47H
FFFFFF16EH	Interrupt control register	TQ1CCIC0		√	√		47H
FFFFFF170H	Interrupt control register	TQ1CCIC1		√	√		47H
FFFFFF172H	Interrupt control register	TQ1CCIC2		√	√		47H
FFFFFF174H	Interrupt control register	TQ1CCIC3		√	√		47H
FFFFFF176H	Interrupt control register	UA2RIC		√	√		47H
FFFFFF178H	Interrupt control register	UA2TIC		√	√		47H
FFFFFF182H	Interrupt control register	DMAIC0		√	√		47H
FFFFFF184H	Interrupt control register	DMAIC1		√	√		47H
FFFFFF186H	Interrupt control register	DMAIC2	√	√		47H	
FFFFFF188H	Interrupt control register	DMAIC3	√	√		47H	
FFFFFF18AH	Interrupt control register	PIC11	√	√		47H	
FFFFFF18CH	Interrupt control register	PIC12	√	√		47H	
FFFFFF18EH	Interrupt control register	PIC13	√	√		47H	
FFFFFF190H	Interrupt control register	PIC14	√	√		47H	
FFFFFF192H	Interrupt control register	TQ2OVIC	√	√		47H	
FFFFFF194H	Interrupt control register	TQ2CCIC0	√	√		47H	
FFFFFF196H	Interrupt control register	TQ2CCIC1	√	√		47H	
FFFFFF198H	Interrupt control register	TQ2CCIC2	√	√		47H	

Address	Function Register Name	Symbol	R/W	Manipulatable Bits			Default Value	
				1	8	16		
FFFFF19AH	Interrupt control register	TQ2CCIC3	R/W	√	√		47H	
FFFFF19CH	Interrupt control register	CB2RIC		√	√		47H	
FFFFF19EH	Interrupt control register	CB2TIC		√	√		47H	
FFFFF1A0H	Interrupt control register	UA3RIC ^{Note}		√	√		47H	
FFFFF1A2H	Interrupt control register	UA3TIC ^{Note}		√	√		47H	
FFFFF1FAH	In-service priority register	ISPR	R	√	√		00H	
FFFFF1FCH	Command register	PRCMD	W		√		Undefined	
FFFFF1FEH	Power save control register	PSC	R/W	√	√		00H	
FFFFF200H	A/D converter mode register 0	ADA0M0		√	√		00H	
FFFFF201H	A/D converter mode register 1	ADA0M1		√	√		00H	
FFFFF202H	A/D converter channel specification register	ADA0S		√	√		00H	
FFFFF203H	A/D converter mode register 2	ADA0M2		√	√		00H	
FFFFF204H	Power-fail compare mode register	ADA0PFM		√	√		00H	
FFFFF205H	Power-fail compare threshold value register	ADA0PFT		√	√		00H	
FFFFF210H	A/D conversion result register 0	ADA0CR0		R			√	Undefined
FFFFF211H	A/D conversion result register 0H	ADA0CR0H				√		Undefined
FFFFF212H	A/D conversion result register 1	ADA0CR1				√	Undefined	
FFFFF213H	A/D conversion result register 1H	ADA0CR1H			√		Undefined	
FFFFF214H	A/D conversion result register 2	ADA0CR2				√	Undefined	
FFFFF215H	A/D conversion result register 2H	ADA0CR2H			√		Undefined	
FFFFF216H	A/D conversion result register 3	ADA0CR3				√	Undefined	
FFFFF217H	A/D conversion result register 3H	ADA0CR3H			√		Undefined	
FFFFF218H	A/D conversion result register 4	ADA0CR4				√	Undefined	
FFFFF219H	A/D conversion result register 4H	ADA0CR4H			√		Undefined	
FFFFF21AH	A/D conversion result register 5	ADA0CR5				√	Undefined	
FFFFF21BH	A/D conversion result register 5H	ADA0CR5H			√		Undefined	
FFFFF21CH	A/D conversion result register 6	ADA0CR6				√	Undefined	
FFFFF21DH	A/D conversion result register 6H	ADA0CR6H			√		Undefined	
FFFFF21EH	A/D conversion result register 7	ADA0CR7				√	Undefined	
FFFFF21FH	A/D conversion result register 7H	ADA0CR7H			√		Undefined	
FFFFF220H	A/D conversion result register 8	ADA0CR8				√	Undefined	
FFFFF221H	A/D conversion result register 8H	ADA0CR8H			√		Undefined	
FFFFF222H	A/D conversion result register 9	ADA0CR9				√	Undefined	
FFFFF223H	A/D conversion result register 9H	ADA0CR9H			√		Undefined	
FFFFF224H	A/D conversion result register 10	ADA0CR10				√	Undefined	
FFFFF225H	A/D conversion result register 10H	ADA0CR10H			√		Undefined	
FFFFF226H	A/D conversion result register 11	ADA0CR11				√	Undefined	
FFFFF227H	A/D conversion result register 11H	ADA0CR11H			√		Undefined	
FFFFF228H	A/D conversion result register 12	ADA0CR12			√	Undefined		
FFFFF229H	A/D conversion result register 12H	ADA0CR12H		√		Undefined		

Note μ PD70F3711, 70F3712 only

Address	Function Register Name	Symbol	R/W	Manipulatable Bits			Default Value	
				1	8	16		
FFFFF22AH	A/D conversion result register 13	ADA0CR13	R			√	Undefined	
FFFFF22BH	A/D conversion result register 13H	ADA0CR13H			√		Undefined	
FFFFF22CH	A/D conversion result register 14	ADA0CR14				√	Undefined	
FFFFF22DH	A/D conversion result register 14H	ADA0CR14H			√		Undefined	
FFFFF22EH	A/D conversion result register 15	ADA0CR15				√	Undefined	
FFFFF22FH	A/D conversion result register 15H	ADA0CR15H			√		Undefined	
FFFFF230H	A/D conversion result register 16	ADA0CR16				√	Undefined	
FFFFF231H	A/D conversion result register 16H	ADA0CR16H			√		Undefined	
FFFFF232H	A/D conversion result register 17	ADA0CR17				√	Undefined	
FFFFF233H	A/D conversion result register 17H	ADA0CR17H			√		Undefined	
FFFFF234H	A/D conversion result register 18	ADA0CR18				√	Undefined	
FFFFF235H	A/D conversion result register 18H	ADA0CR18H			√		Undefined	
FFFFF236H	A/D conversion result register 19	ADA0CR19				√	Undefined	
FFFFF237H	A/D conversion result register 19H	ADA0CR19H			√		Undefined	
FFFFF238H	A/D conversion result register 20	ADA0CR20				√	Undefined	
FFFFF239H	A/D conversion result register 20H	ADA0CR20H			√		Undefined	
FFFFF23AH	A/D conversion result register 21	ADA0CR21				√	Undefined	
FFFFF23BH	A/D conversion result register 21H	ADA0CR21H			√		Undefined	
FFFFF23CH	A/D conversion result register 22	ADA0CR22				√	Undefined	
FFFFF23DH	A/D conversion result register 22H	ADA0CR22H			√		Undefined	
FFFFF23EH	A/D conversion result register 23	ADA0CR23				√	Undefined	
FFFFF23FH	A/D conversion result register 23H	ADA0CR23H			√		Undefined	
FFFFF300H	Key return mode register	KRM		R/W	√	√		00H
FFFFF308H	Selector operation control register 0	SELCNT0			√	√		00H
FFFFF318H	Noise elimination control register	NFC		√	√		00H	
FFFFF400H	Port 0	P0		√	√		Undefined	
FFFFF402H	Port 1	P1		√	√		Undefined	
FFFFF406H	Port 3	P3				√	Undefined	
FFFFF406H	Port 3L	P3L		√	√		Undefined	
FFFFF407H	Port 3H	P3H		√	√		Undefined	
FFFFF408H	Port 4	P4		√	√		Undefined	
FFFFF40AH	Port 5	P5		√	√		Undefined	
FFFFF40CH	Port 6	P6				√	Undefined	
FFFFF40CH	Port 6L	P6L		√	√		Undefined	
FFFFF40DH	Port 6H	P6H		√	√		Undefined	
FFFFF40EH	Port 7L	P7L		√	√		Undefined	
FFFFF40FH	Port 7H	P7H		√	√		Undefined	
FFFFF410H	Port 8	P8		√	√		Undefined	
FFFFF412H	Port 9	P9				√	Undefined	
FFFFF412H	Port 9L	P9L		√	√		Undefined	
FFFFF413H	Port 9H	P9H		√	√		Undefined	
FFFFF418H	Port 12	P12		√	√		Undefined	

Address	Function Register Name	Symbol	R/W	Manipulatable Bits			Default Value
				1	8	16	
FFFFF420H	Port mode register 0	PM0	R/W	√	√		FFH
FFFFF422H	Port mode register 1	PM1		√	√		FFH
FFFFF426H	Port mode register 3	PM3				√	FFFFH
FFFFF426H	Port mode register 3L	PM3L		√	√		FFH
FFFFF427H	Port mode register 3H	PM3H		√	√		FFH
FFFFF428H	Port mode register 4	PM4		√	√		FFH
FFFFF42AH	Port mode register 5	PM5		√	√		FFH
FFFFF42CH	Port mode register 6	PM6				√	FFFFH
FFFFF42CH	Port mode register 6L	PM6L		√	√		FFH
FFFFF42DH	Port mode register 6H	PM6H		√	√		FFH
FFFFF42EH	Port mode register 7L	PM7L		√	√		FFH
FFFFF42FH	Port mode register 7H	PM7H		√	√		FFH
FFFFF430H	Port mode register 8	PM8		√	√		FFH
FFFFF432H	Port mode register 9	PM9				√	FFFFH
FFFFF432H	Port mode register 9L	PM9L		√	√		FFH
FFFFF433H	Port mode register 9H	PM9H		√	√		FFH
FFFFF438H	Port mode register 12	PM12		√	√		FFH
FFFFF440H	Port mode control register 0	PMC0		√	√		00H
FFFFF442H	Port mode control register 1	PMC1		√	√		00H
FFFFF446H	Port mode control register 3	PMC3				√	0000H
FFFFF446H	Port mode control register 3L	PMC3L		√	√		00H
FFFFF447H	Port mode control register 3H	PMC3H		√	√		00H
FFFFF448H	Port mode control register 4	PMC4		√	√		00H
FFFFF44AH	Port mode control register 5	PMC5		√	√		00H
FFFFF44CH	Port mode control register 6	PMC6				√	0000H
FFFFF44CH	Port mode control register 6L	PMC6L		√	√		00H
FFFFF44DH	Port mode control register 6H	PMC6H		√	√		00H
FFFFF450H	Port mode control register 8	PMC8		√	√		00H
FFFFF452H	Port mode control register 9	PMC9				√	0000H
FFFFF452H	Port mode control register 9L	PMC9L		√	√		00H
FFFFF453H	Port mode control register 9H	PMC9H		√	√		00H
FFFFF460H	Port function control register 0	PFC0		√	√		00H
FFFFF466H	Port function control register 3L	PFC3L		√	√		00H
FFFFF46AH	Port function control register 5	PFC5		√	√		00H
FFFFF46CH	Port function control register 6	PFC6				√	0000H
FFFFF46CH	Port function control register 6L	PFC6L		√	√		00H
FFFFF46DH	Port function control register 6H	PFC6H		√	√		00H
FFFFF472H	Port function control register 9	PFC9				√	0000H
FFFFF472H	Port function control register 9L	PFC9L		√	√		00H
FFFFF473H	Port function control register 9H	PFC9H		√	√		00H
FFFFF484H	Data wait control register 0	DWC0			√	7777H	
FFFFF488H	Address wait control register	AWC			√	FFFFH	

Address	Function Register Name	Symbol	R/W	Manipulatable Bits			Default Value	
				1	8	16		
FFFFF48AH	Bus cycle control register	BCC	R/W			√	AAAAH	
FFFFF540H	TMQ0 control register 0	TQ0CTL0		√	√		00H	
FFFFF541H	TMQ0 control register 1	TQ0CTL1		√	√		00H	
FFFFF542H	TMQ0 I/O control register 0	TQ0IOC0		√	√		00H	
FFFFF543H	TMQ0 I/O control register 1	TQ0IOC1		√	√		00H	
FFFFF544H	TMQ0 I/O control register 2	TQ0IOC2		√	√		00H	
FFFFF545H	TMQ0 option register 0	TQ0OPT0		√	√		00H	
FFFFF546H	TMQ0 capture/compare register 0	TQ0CCR0				√	0000H	
FFFFF548H	TMQ0 capture/compare register 1	TQ0CCR1				√	0000H	
FFFFF54AH	TMQ0 capture/compare register 2	TQ0CCR2				√	0000H	
FFFFF54CH	TMQ0 capture/compare register 3	TQ0CCR3				√	0000H	
FFFFF54EH	TMQ0 counter read buffer register	TQ0CNT		R			√	0000H
FFFFF590H	TMP0 control register 0	TP0CTL0	R/W	√	√		00H	
FFFFF591H	TMP0 control register 1	TP0CTL1		√	√		00H	
FFFFF592H	TMP0 I/O control register 0	TP0IOC0		√	√		00H	
FFFFF593H	TMP0 I/O control register 1	TP0IOC1		√	√		00H	
FFFFF594H	TMP0 I/O control register 2	TP0IOC2		√	√		00H	
FFFFF595H	TMP0 option register 0	TP0OPT0		√	√		00H	
FFFFF596H	TMP0 capture/compare register 0	TP0CCR0				√	0000H	
FFFFF598H	TMP0 capture/compare register 1	TP0CCR1				√	0000H	
FFFFF59AH	TMP0 counter read buffer register	TP0CNT		R			√	0000H
FFFFF5A0H	TMP1 control register 0	TP1CTL0		R/W	√	√		00H
FFFFF5A1H	TMP1 control register 1	TP1CTL1	√		√		00H	
FFFFF5A2H	TMP1 I/O control register 0	TP1IOC0	√		√		00H	
FFFFF5A3H	TMP1 I/O control register 1	TP1IOC1	√		√		00H	
FFFFF5A4H	TMP1 I/O control register 2	TP1IOC2	√		√		00H	
FFFFF5A5H	TMP1 option register 0	TP1OPT0	√		√		00H	
FFFFF5A6H	TMP1 capture/compare register 0	TP1CCR0				√	0000H	
FFFFF5A8H	TMP1 capture/compare register 1	TP1CCR1				√	0000H	
FFFFF5AAH	TMP1 counter read buffer register	TP1CNT	R				√	0000H
FFFFF5B0H	TMP2 control register 0	TP2CTL0	R/W		√	√		00H
FFFFF5B1H	TMP2 control register 1	TP2CTL1		√	√		00H	
FFFFF5B2H	TMP2 I/O control register 0	TP2IOC0		√	√		00H	
FFFFF5B3H	TMP2 I/O control register 1	TP2IOC1		√	√		00H	
FFFFF5B4H	TMP2 I/O control register 2	TP2IOC2		√	√		00H	
FFFFF5B5H	TMP2 option register 0	TP2OPT0		√	√		00H	
FFFFF5B6H	TMP2 capture/compare register 0	TP2CCR0				√	0000H	
FFFFF5B8H	TMP2 capture/compare register 1	TP2CCR1				√	0000H	
FFFFF5BAH	TMP2 counter read buffer register	TP2CNT		R			√	0000H
FFFFF5C0H	TMP3 control register 0	TP3CTL0		R/W	√	√		00H
FFFFF5C1H	TMP3 control register 1	TP3CTL1	√		√		00H	
FFFFF5C2H	TMP3 I/O control register 0	TP3IOC0	√		√		00H	

Address	Function Register Name	Symbol	R/W	Manipulatable Bits			Default Value	
				1	8	16		
FFFFF5C3H	TMP3 I/O control register 1	TP3IOC1	R/W	√	√		00H	
FFFFF5C4H	TMP3 I/O control register 2	TP3IOC2		√	√		00H	
FFFFF5C5H	TMP3 option register 0	TP3OPT0		√	√		00H	
FFFFF5C6H	TMP3 capture/compare register 0	TP3CCR0				√	0000H	
FFFFF5C8H	TMP3 capture/compare register 1	TP3CCR1				√	0000H	
FFFFF5CAH	TMP3 counter read buffer register	TP3CNT	R			√	0000H	
FFFFF610H	TMQ1 control register 0	TQ1CTL0	R/W	√	√		00H	
FFFFF611H	TMQ1 control register 1	TQ1CTL1		√	√		00H	
FFFFF612H	TMQ1 I/O control register 0	TQ1IOC0		√	√		00H	
FFFFF613H	TMQ1 I/O control register 1	TQ1IOC1		√	√		00H	
FFFFF614H	TMQ1 I/O control register 2	TQ1IOC2		√	√		00H	
FFFFF615H	TMQ1 timer option register 0	TQ1OPT0		√	√		00H	
FFFFF616H	TMQ1 capture/compare register 0	TQ1CCR0				√	0000H	
FFFFF618H	TMQ1 capture/compare register 1	TQ1CCR1				√	0000H	
FFFFF61AH	TMQ1 capture/compare register 2	TQ1CCR2				√	0000H	
FFFFF61CH	TMQ1 capture/compare register 3	TQ1CCR3				√	0000H	
FFFFF61EH	TMQ1 counter read buffer register	TQ1CNT		R			√	0000H
FFFFF620H	TMQ2 control register 0	TQ2CTL0		R/W	√	√		00H
FFFFF621H	TMQ2 control register 1	TQ2CTL1			√	√		00H
FFFFF622H	TMQ2 I/O control register 0	TQ2IOC0			√	√		00H
FFFFF623H	TMQ2 I/O control register 1	TQ2IOC1			√	√		00H
FFFFF624H	TMQ2 I/O control register 2	TQ2IOC2	√		√		00H	
FFFFF625H	TMQ2 timer option register 0	TQ2OPT0				√	00H	
FFFFF626H	TMQ2 capture/compare register 0	TQ2CCR0				√	0000H	
FFFFF628H	TMQ2 capture/compare register 1	TQ2CCR1				√	0000H	
FFFFF62AH	TMQ2 capture/compare register 2	TQ2CCR2				√	0000H	
FFFFF62CH	TMQ2 capture/compare register 3	TQ2CCR3				√	0000H	
FFFFF62EH	TMQ2 counter read buffer register	TQ2CNT	R			√	0000H	
FFFFF680H	Watch timer operation mode register	WTM	R/W	√	√		00H	
FFFFF690H	TMM0 control register 0	TM0CTL0		√	√		00H	
FFFFF694H	TMM0 compare register 0	TM0CMP0				√	0000H	
FFFFF6C0H	Oscillation stabilization time select register	OSTS			√		06H	
FFFFF6C1H	PLL lockup time specification register	PLLS			√		03H	
FFFFF6D0H	Watchdog timer mode register 2	WDTM2		√	√		67H	
FFFFF6D1H	Watchdog timer enable register	WDTE			√		9AH	
FFFFF706H	Port function control expansion register 3L	PFCE3L		√	√		00H	
FFFFF70AH	Port function control expansion register 5	PFCE5		√	√		00H	
FFFFF712H	Port function control expansion register 9	PFCE9				√	0000H	
FFFFF712H	Port function control expansion register 9L	PFCE9L		√	√		00H	
FFFFF713H	Port function control expansion register 9H	PFCE9H		√	√		00H	
FFFFF802H	System status register	SYS		√	√		00H	
FFFFF80CH	Internal oscillation mode register	RCM		√	√		00H	

Address	Function Register Name	Symbol	R/W	Manipulatable Bits			Default Value
				1	8	16	
FFFFF810H	DMA trigger factor register 0	DTFR0	R/W	√	√		00H
FFFFF812H	DMA trigger factor register 1	DTFR1		√	√		00H
FFFFF814H	DMA trigger factor register 2	DTFR2		√	√		00H
FFFFF816H	DMA trigger factor register 3	DTFR3		√	√		00H
FFFFF820H	Power save mode register	PSMR		√	√		00H
FFFFF824H	Lock register	LOCKR	R	√	√		00H
FFFFF828H	Processor clock control register	PCC	R/W	√	√		03H
FFFFF82CH	PLL control register	PLLCTL		√	√		01H
FFFFF82EH	CPU operating clock status register	CCLS	R	√	√		00H
FFFFF82FH	Programmable clock mode register	PCLM	R/W	√	√		00H
FFFFF870H	Clock monitor mode register	CLM		√	√		00H
FFFFF888H	Reset source flag register	RESF		√	√		00H
FFFFF890H	Low-voltage detection register	LVIM		√	√		00H
FFFFF891H	Low-voltage detection level select register	LVIS			√		00H
FFFFF892H	Internal RAM data status register	RAMS		√	√		01H
FFFFF8B0H	Prescaler mode register 0	PRSM0			√		00H
FFFFF8B1H	Prescaler compare register 0	PRSCM0			√		00H
FFFFF9FCH	On-chip debug mode register	OCDM		√	√		01H
FFFFF9FEH	Peripheral emulation register 1	PEMU1		√	√		00H
FFFFFA00H	UARTA0 control register 0	UA0CTL0		√	√		10H
FFFFFA01H	UARTA0 control register 1	UA0CTL1			√		00H
FFFFFA02H	UARTA0 control register 2	UA0CTL2			√		FFH
FFFFFA03H	UARTA0 option control register 0	UA0OPT0		√	√		14H
FFFFFA04H	UARTA0 status register	UA0STR		√	√		00H
FFFFFA06H	UARTA0 receive data register	UA0RX		R		√	FFH
FFFFFA07H	UARTA0 transmit data register	UA0TX		R/W		√	FFH
FFFFFA10H	UARTA1 control register 0	UA1CTL0	√		√	10H	
FFFFFA11H	UARTA1 control register 1	UA1CTL1			√	00H	
FFFFFA12H	UARTA1 control register 2	UA1CTL2			√	FFH	
FFFFFA13H	UARTA1 option control register 0	UA1OPT0	√		√	14H	
FFFFFA14H	UARTA1 status register	UA1STR	√		√	00H	
FFFFFA16H	UARTA1 receive data register	UA1RX	R			√	FFH
FFFFFA17H	UARTA1 receive data register	UA1TX	R/W		√	FFH	
FFFFFA20H	UARTA2 control register 0	UA2CTL0		√	√	10H	
FFFFFA21H	UARTA2 control register 1	UA2CTL1			√	00H	
FFFFFA22H	UARTA2 control register 2	UA2CTL2			√	FFH	
FFFFFA23H	UARTA2 option control register 0	UA2OPT0		√	√	14H	
FFFFFA24H	UARTA2 status register	UA2STR		√	√	00H	
FFFFFA26H	UARTA2 receive data register	UA2RX		R		√	FFH
FFFFFA27H	UARTA2 transmit data register	UA2TX	R/W		√	FFH	

Caution For details of the OCDM register, see CHAPTER 26 ON-CHIP DEBUG FUNCTION.

Address	Function Register Name	Symbol	R/W	Manipulatable Bits			Default Value
				1	8	16	
FFFFFA30H	UARTA3 control register 0	UA3CTL0 ^{Note}	R/W	√	√		10H
FFFFFA31H	UARTA3 control register 1	UA3CTL1 ^{Note}			√		00H
FFFFFA32H	UARTA3 control register 2	UA3CTL2 ^{Note}			√		FFH
FFFFFA33H	UARTA3 option control register 0	UA3OPT0 ^{Note}		√	√		14H
FFFFFA34H	UARTA3 status register	UA3STR ^{Note}		√	√		00H
FFFFFA36H	UARTA3 receive data register	UA3RX ^{Note}	R		√		FFH
FFFFFA37H	UARTA3 transmit data register	UA3TX ^{Note}	R/W		√		FFH
FFFFFB00H	TIP00 pin noise elimination control register	P00NFC		√	√		00H
FFFFFB04H	TIP01 pin noise elimination control register	P01NFC		√	√		00H
FFFFFB08H	TIP10 pin noise elimination control register	P10NFC		√	√		00H
FFFFFB0CH	TIP11 pin noise elimination control register	P11NFC		√	√		00H
FFFFFB10H	TIP20 pin noise elimination control register	P20NFC		√	√		00H
FFFFFB14H	TIP21 pin noise elimination control register	P21NFC		√	√		00H
FFFFFB18H	TIP30 pin noise elimination control register	P30NFC		√	√		00H
FFFFFB1CH	TIP31 pin noise elimination control register	P31NFC		√	√		00H
FFFFFB50H	TIQ00 pin noise elimination control register	Q00NFC		√	√		00H
FFFFFB54H	TIQ01 pin noise elimination control register	Q01NFC		√	√		00H
FFFFFB58H	TIQ02 pin noise elimination control register	Q02NFC		√	√		00H
FFFFFB5CH	TIQ03 pin noise elimination control register	Q03NFC		√	√		00H
FFFFFB60H	TIQ10 pin noise elimination control register	Q10NFC		√	√		00H
FFFFFB64H	TIQ11 pin noise elimination control register	Q11NFC		√	√		00H
FFFFFB68H	TIQ12 pin noise elimination control register	Q12NFC		√	√		00H
FFFFFB6CH	TIQ13 pin noise elimination control register	Q13NFC		√	√		00H
FFFFFB70H	TIQ20 pin noise elimination control register	Q20NFC		√	√		00H
FFFFFB74H	TIQ21 pin noise elimination control register	Q21NFC		√	√		00H
FFFFFB78H	TIQ22 pin noise elimination control register	Q22NFC		√	√		00H
FFFFFB7CH	TIQ23 pin noise elimination control register	Q23NFC		√	√		00H
FFFFFC00H	External interrupt falling edge specification register 0	INTF0		√	√		00H
FFFFFC02H	External interrupt falling edge specification register 1	INTF1		√	√		00H
FFFFFC06H	External interrupt falling edge specification register 3	INTF3				√	0000H
FFFFFC06H	External interrupt falling edge specification register 3L	INTF3L		√	√		00H
FFFFFC07H	External interrupt falling edge specification register 3H	INTF3H		√	√		00H
FFFFFC0CH	External interrupt falling edge specification register 6L	INTF6L		√	√		00H
FFFFFC10H	External interrupt falling edge specification register 8	INTF8		√	√		00H
FFFFFC13H	External interrupt falling edge specification register 9H	INTF9H		√	√		00H
FFFFFC20H	External interrupt rising edge specification register 0	INTR0		√	√		00H
FFFFFC22H	External interrupt rising edge specification register 1	INTR1		√	√		00H

Note μ PD70F3711, 70F3712 only

Address	Function Register Name	Symbol	R/W	Manipulatable Bits			Default Value
				1	8	16	
FFFFFC26H	External interrupt rising edge specification register 3	INTR3	R/W			√	0000H
FFFFFC26H	External interrupt rising edge specification register 3L	INTR3L		√	√		00H
FFFFFC27H	External interrupt rising edge specification register 3H	INTR3H		√	√		00H
FFFFFC2CH	External interrupt rising edge specification register 6L	INTR6L		√	√		00H
FFFFFC30H	External interrupt rising edge specification register 8	INTR8		√	√		00H
FFFFFC33H	External interrupt rising edge specification register 9H	INTR9H		√	√		00H
FFFFFC40H	Pull-up resistor option register 0	PU0		√	√		00H
FFFFFC42H	Pull-up resistor option register 1	PU1		√	√		00H
FFFFFC46H	Pull-up resistor option register 3	PU3				√	0000H
FFFFFC46H	Pull-up resistor option register 3L	PU3L		√	√		00H
FFFFFC47H	Pull-up resistor option register 3H	PU3H		√	√		00H
FFFFFC48H	Pull-up resistor option register 4	PU4		√	√		00H
FFFFFC4AH	Pull-up resistor option register 5	PU5		√	√		00H
FFFFFC4CH	Pull-up resistor option register 6	PU6				√	0000H
FFFFFC4CH	Pull-up resistor option register 6L	PU6L		√	√		00H
FFFFFC4DH	Pull-up resistor option register 6H	PU6H		√	√		00H
FFFFFC50H	Pull-up resistor option register 8	PU8		√	√		00H
FFFFFC52H	Pull-up resistor option register 9	PU9				√	0000H
FFFFFC52H	Pull-up resistor option register 9L	PU9L		√	√		00H
FFFFFC53H	Pull-up resistor option register 9H	PU9H		√	√		00H
FFFFFD00H	CSIB0 control register 0	CB0CTL0		√	√		01H
FFFFFD01H	CSIB0 control register 1	CB0CTL1		√	√		00H
FFFFFD02H	CSIB0 control register 2	CB0CTL2			√		00H
FFFFFD03H	CSIB0 status register	CB0STR	√	√		00H	
FFFFFD04H	CSIB0 receive data register	CB0RX	R		√	0000H	
FFFFFD04H	CSIB0 receive data register L	CB0RXL		√		00H	
FFFFFD06H	CSIB0 transmit data register	CB0TX	R/W		√	0000H	
FFFFFD06H	CSIB0 transmit data register L	CB0TXL			√		00H
FFFFFD10H	CSIB1 control register 0	CB1CTL0	√	√		01H	
FFFFFD11H	CSIB1 control register 1	CB1CTL1	√	√		00H	
FFFFFD12H	CSIB1 control register 2	CB1CTL2		√		00H	
FFFFFD13H	CSIB1 status register	CB1STR	√	√		00H	
FFFFFD14H	CSIB1 receive data register	CB1RX	R		√	0000H	
FFFFFD14H	CSIB1 receive data register L	CB1RXL		√		00H	
FFFFFD16H	CSIB1 transmit data register	CB1TX	R/W		√	0000H	
FFFFFD16H	CSIB1 transmit data register L	CB1TXL			√		00H
FFFFFD20H	CSIB2 control register 0	CB2CTL0	√	√		01H	
FFFFFD21H	CSIB2 control register 1	CB2CTL1	√	√		00H	
FFFFFD22H	CSIB2 control register 2	CB2CTL2		√		00H	
FFFFFD23H	CSIB2 status register	CB2STR	√	√		00H	
FFFFFD24H	CSIB2 receive data register	CB2RX	R		√	0000H	
FFFFFD24H	CSIB2 receive data register L	CB2RXL		√		00H	
FFFFFD26H	CSIB2 transmit data register	CB2TX	R/W		√	0000H	
FFFFFD26H	CSIB2 transmit data register L	CB2TXL			√		00H

3.4.7 Special registers

Special registers are registers that are protected from being written with illegal data due to a program hang-up. The V850ES/HJ2 has the following seven special registers.

- Power save control register (PSC)
- Processor clock control register (PCC)
- Clock monitor mode register (CLM)
- Reset source flag register (RESF)
- Low-voltage detection register (LVIM)
- Internal RAM data status register (RAMS)
- On-chip debug mode register (OCDM)

In addition, the PRCDM register is provided to protect against a write access to the special registers so that the application system does not inadvertently stop due to a program hang-up. A write access to the special registers is made in a specific sequence, and an illegal store operation is reported to the SYS register (reported even when the read operation of the option data (address: 007AH) is illegal because of noise, instantaneous voltage drop, etc.).

(1) Setting data to special registers

Set data to the special registers in the following sequence.

- <1> Disable DMA operation.
- <2> Prepare data to be set to the special register in a general-purpose register.
- <3> Write the data prepared in <2> to the PRCMD register.
- <4> Write the setting data to the special register (by using the following instructions).
 - Store instruction (ST/SST instruction)
 - Bit manipulation instruction (SET1/CLR1/NOT1 instruction)
- (<5> to <9> Insert NOP instructions (5 instructions).)^{Note}
- <10> Enable DMA operation if necessary.

[Example] With PSC register (setting standby mode)

```

    ST.B r11, PSMR[r0] ; Set PSMR register (setting IDLE1, IDLE2, and STOP modes).
<1>CLR1 0, DCHCn[r0] ; Disable DMA operation. n = 0 to 3
<2>MOV0x02, r10
<3>ST.B r10, PRCMD[r0] ; Write PRCMD register.
<4>ST.B r10, PSC[r0] ; Set PSC register.
<5>NOPNote ; Dummy instruction
<6>NOPNote ; Dummy instruction
<7>NOPNote ; Dummy instruction
<8>NOPNote ; Dummy instruction
<9>NOPNote ; Dummy instruction
<10>SET1 0, DCHCn[r0] ; Enable DMA operation. n = 0 to 3
(next instruction)

```

There is no special sequence to read a special register.

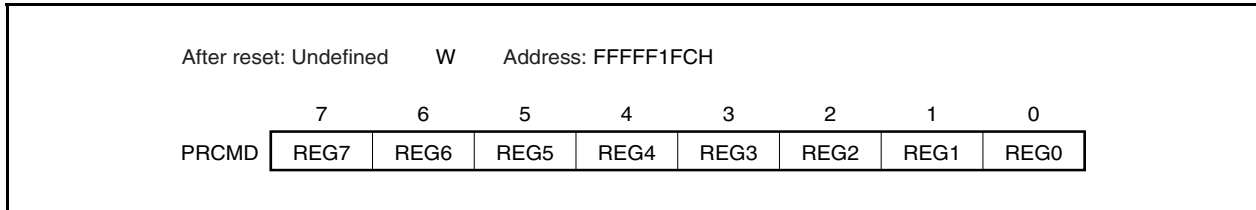
Note Five NOP instructions or more must be inserted immediately after setting the IDLE1 mode, IDLE2 mode, STOP mode, or sub-IDLE mode (by setting the PSC.STP bit to 1).

- Cautions 1.** When a store instruction is executed to store data in the command register, interrupts are not acknowledged. This is because it is assumed that steps <3> and <4> above are performed by successive store instructions. If another instruction is placed between <3> and <4>, and if an interrupt is acknowledged by that instruction, the above sequence may not be established, causing malfunction.
- 2.** Although dummy data is written to the PRCMD register, use the same general-purpose register used to set the special register (<4> in Example) to write data to the PRCMD register (<3> in Example). The same applies when a general-purpose register is used for addressing.

(2) Command register (PRCMD)

The PRCMD register is an 8-bit register that protects the registers that may seriously affect the application system from being written, so that the system does not inadvertently stop due to a program hang-up. The first write access to a special register is valid after data has been written in advance to the PRCMD register. In this way, the value of the special register can be rewritten only in a specific sequence, so as to protect the register from an illegal write access.

The PRCMD register is write-only, in 8-bit units (undefined data is read when this register is read).



(3) System status register (SYS)

Status flags that indicate the operation status of the overall system are allocated to this register.

This register can be read or written in 8-bit or 1-bit units.

Reset sets this register to 00H.

After reset: 00H	R/W	Address: FFFFF802H																														
	7	6	5	4	3	2	1	0																								
SYS	0	0	0	0	0	0	0	PRERR																								
	<table border="1"> <tr> <td>PRERR</td> <td colspan="7">Detects protection error</td> </tr> <tr> <td>0</td> <td colspan="7">Protection error did not occur</td> </tr> <tr> <td>1</td> <td colspan="7">Protection error occurred</td> </tr> </table>								PRERR	Detects protection error							0	Protection error did not occur							1	Protection error occurred						
PRERR	Detects protection error																															
0	Protection error did not occur																															
1	Protection error occurred																															

The PRERR flag operates under the following conditions.

(a) Set condition (PRERR flag = 1)

- (i) When data is written to a special register without writing anything to the PRCMD register (when <4> is executed without executing <3> in **3.4.7 (1) Setting data to special registers**)
- (ii) When data is written to an on-chip peripheral I/O register other than a special register (including execution of a bit manipulation instruction) after writing data to the PRCMD register (if <4> in **3.4.7 (1) Setting data to special registers** is not the setting of a special register)

Remark Between an operation to write the PRCMD register and an operation to write a special register, even if the internal RAM is accessed, such as reading when an on-chip peripheral I/O register (except reading by a bit manipulation instruction), the PRERR flag is not set, and the set data can be written to the special register.

(b) Clear condition (PRERR flag = 0)

- (i) When 0 is written to the PRERR flag
- (ii) When the system is reset

Cautions 1. If 0 is written to the PRERR bit of the SYS register, which is not a special register, immediately after a write access to the PRCMD register, the PRERR bit is cleared to 0 (the write access takes precedence).

2. If data is written to the PRCMD register, which is not a special register, immediately after a write access to the PRCMD register, the PRERR bit is set to 1.

3.4.8 Cautions

(1) Registers to be set first

Be sure to set the following registers first when using the V850ES/HJ2.

- System wait control register (VSWC)
- On-chip debug mode register (OCDM)
- Watchdog timer mode register 2 (WDTM2)

After setting the VSWC, OCDM, and WDTM2 registers, set the other registers as necessary.

When using the external bus, set each pin to the alternate-function bus control pin mode by using the port-related registers after setting the above registers.

(a) System wait control register (VSWC)

The VSWC register controls wait of bus access to the on-chip peripheral I/O registers.

Three clocks are required to access an on-chip peripheral I/O register (without a wait cycle). The V850ES/HJ2 requires wait cycles according to the operating frequency. Set the following value to the VSWC register in accordance with the frequency used.

The VSWC register can be read or written in 8-bit units (address: FFFFF06EH, default value: 77H).

Operating Frequency (f_{CLK})	Set Value of VSWC	Number of Waits
$32 \text{ kHz} \leq f_{CLK} < 16.6 \text{ MHz}$	00H	0 (no waits)
$16.6 \text{ MHz} \leq f_{CLK} \leq 20 \text{ MHz}$	01H	1

(b) On-chip debug mode register (OCDM)

For details, see **CHAPTER 26 ON-CHIP DEBUG FUNCTION**.

(c) Watchdog timer mode register 2 (WDTM2)

The WDTM2 register sets the overflow time and the operation clock of watchdog timer 2.

Watchdog timer 2 automatically starts in the reset mode after reset is released. Write the WDTM2 register to activate this operation.

For details, see **CHAPTER 11 FUNCTIONS OF WATCHDOG TIMER 2**.

(2) Accessing specific on-chip peripheral I/O registers

This product has two types of internal system buses.

One is a CPU bus and the other is a peripheral bus that interfaces with low-speed peripheral hardware.

The clock of the CPU bus and the clock of the peripheral bus are asynchronous. If an access to the CPU and an access to the peripheral hardware conflict, therefore, unexpected illegal data may be transferred. If there is a possibility of a conflict, the number of cycles for accessing the CPU changes when the peripheral hardware is accessed, so that correct data is transferred. As a result, the CPU does not start processing of the next instruction but enters the wait state. If this wait state occurs, the number of clocks required to execute an instruction increases by the number of wait clocks shown below.

This must be taken into consideration if real-time processing is required.

When specific on-chip peripheral I/O registers are accessed, more wait states may be required in addition to the wait states set by the VSWC register.

The access conditions and how to calculate the number of wait states to be inserted (number of CPU clocks) at this time are shown below.

Peripheral Function	Register Name	Access	k
16-bit timer/event counter P (TMP) (n = 0 to 3)	TPnCNT	Read	1 or 2
	TPnCCR0, TPnCCR1	Write	<ul style="list-style-type: none"> • 1st access: No wait • Continuous write: 3 or 4
		Read	1 or 2
16-bit timer/event counter Q (TMQ) (m = 0 to 2)	TQmCNT	Read	1 or 2
	TQmCCR0 to TQmCCR3	Write	<ul style="list-style-type: none"> • 1st access: No wait • Continuous write: 3 or 4
		Read	1 or 2
Watchdog timer 2 (WDT2)	WDTM2	Write (when WDT2 operating)	3
A/D converter	ADA0M0	Read	1 or 2
	ADA0CR0 to ADA0CR23	Read	1 or 2
	ADA0CR0H to ADA0CR23H	Read	1 or 2

$$\text{Number of clocks necessary for access} = 3 + i + j + (2 + j) \times k$$

Caution Accessing the above registers is prohibited in the following statuses. If a wait cycle is generated, it can only be cleared by a reset.

- When the CPU operates with the subclock and the main clock oscillation is stopped
- When the CPU operates with the internal oscillation clock

Remark i: Values (0 or 1) of higher 4 bits of VSWC register

j: Values (0 or 1) of lower 4 bits of VSWC register

(3) Restriction on conflict between sld instruction and interrupt request**(a) Description**

If a conflict occurs between the decode operation of an instruction in <2> immediately before the sld instruction following an instruction in <1> and an interrupt request before the instruction in <1> is complete, the execution result of the instruction in <1> may not be stored in a register.

Instruction <1>

- ld instruction: ld.b, ld.h, ld.w, ld.bu, ld.hu
- sld instruction: sld.b, sld.h, sld.w, sld.bu, sld.hu
- Multiplication instruction: mul, mulh, mulhi, mulu

Instruction <2>

mov reg1, reg2	not reg1, reg2	satsubr reg1, reg2	satsub reg1, reg2
satadd reg1, reg2	satadd imm5, reg2	or reg1, reg2	xor reg1, reg2
and reg1, reg2	tst reg1, reg2	subr reg1, reg2	sub reg1, reg2
add reg1, reg2	add imm5, reg2	cmp reg1, reg2	cmp imm5, reg2
mulh reg1, reg2	shr imm5, reg2	sar imm5, reg2	shl imm5, reg2

<Example>

<i> ld.w [r11], r10
 •
 •
 •

If the decode operation of the mov instruction <ii> immediately before the sld instruction <iii> and an interrupt request conflict before execution of the ld instruction <i> is complete, the execution result of instruction <i> may not be stored in a register.

<ii> mov r10, r28

<iii> sld.w 0x28, r10

(b) Countermeasure

<1> When compiler (CA850) is used

Use CA850 Ver. 2.61 or later because generation of the corresponding instruction sequence can be automatically suppressed.

<2> Countermeasure by assembler

When executing the sld instruction immediately after instruction <ii>, avoid the above operation using either of the following methods.

- Insert a nop instruction immediately before the sld instruction.
- Do not use the same register as the sld instruction destination register in the above instruction <ii> executed immediately before the sld instruction.

CHAPTER 4 PORT FUNCTIONS

4.1 Features

- I/O ports: 128
- Port pins function alternately as other peripheral-function I/O pins
- Can be set in input or output mode in 1-bit units.

4.2 Basic Configuration of Ports

The V850ES/HJ2 has a total of 128 I/O ports, ports 0, 1, 3 to 9, 12, CD, CM, CS, CT, and DL. The port configuration is shown below.

Figure 4-1. Port Configuration

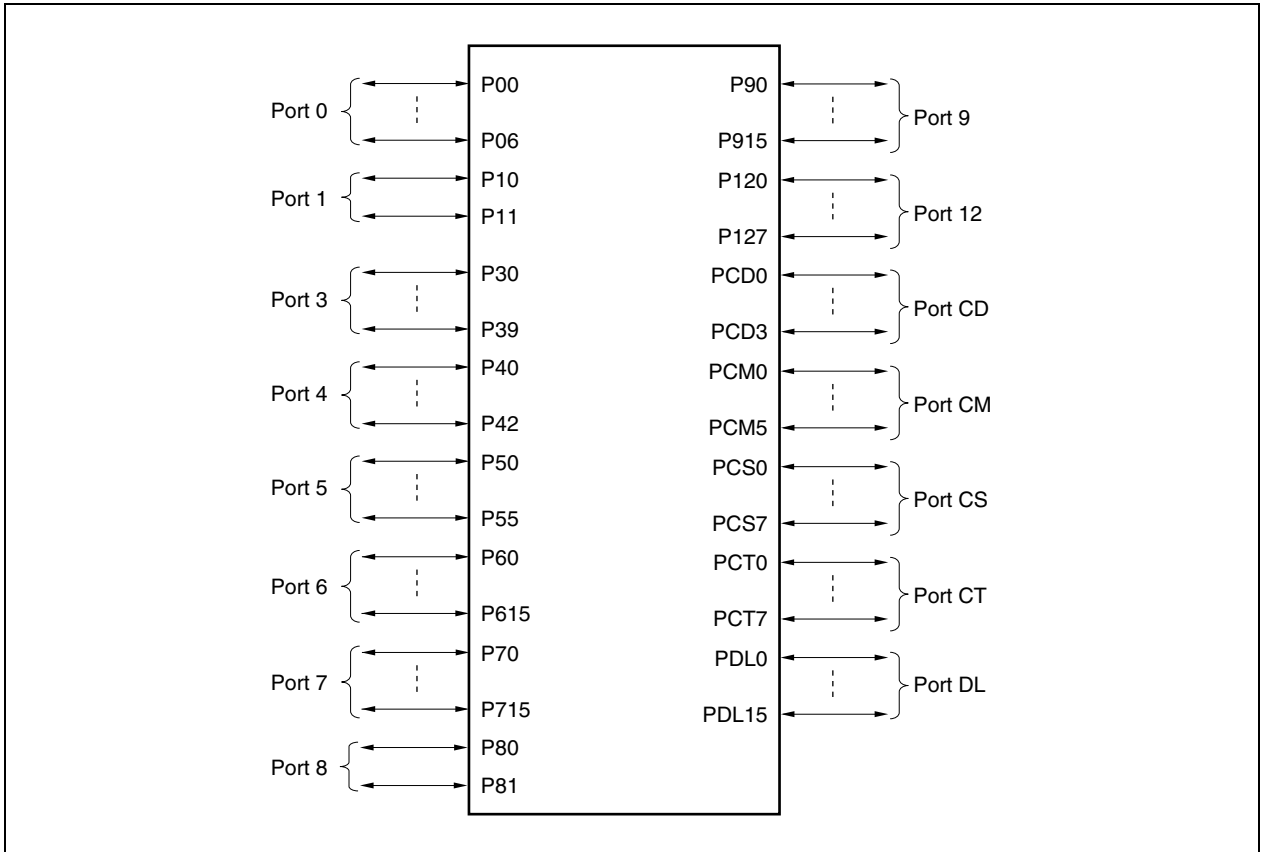


Table 4-1. Configuration of Ports

Item	Configuration
Control registers	Port mode register (PMn: n = 0, 1, 3, 4, 5, 6, 7L, 7H, 8, 9, 12, CD, CM, CS, CT, or DL)
	Port mode control register (PMCn: n = 0, 1, 3, 4, 5, 6, 8, 9, CD, CM, CS, CT, or DL)
	Port function control register (PFCn: n = 0, 3L, 5, 6, or 9)
	Port function control expansion register (PFCEn: n = 3L, 5, or 9)
	Pull-up resistor option register (PUn: n = 0, 1, 3, 4, 5, 6, 8, or 9)
Ports	128

Table 4-2. Pin I/O Buffer Power Supplies

Power Supply	Corresponding Pin
AV _{REF0}	Port 7, port 12
BV _{DD}	Port CD, port CM, port CS, port CT, port DL
EV _{DD}	Port 0, port 1, port 3, port 4, port 5, port 6, port 8, port 9, $\overline{\text{RESET}}$

4.3 Port Functions

4.3.1 Operation of port function

The operation of a port differs depending on setting of the input or output mode, as follows.

(1) Writing to I/O port

(a) In output mode

A value can be written to the output latch by using a transfer instruction. The contents of the output latch are output from the pin. Once data has been written to the output latch, it is retained until new data is written to the output latch.

(b) In input mode

A value can be written to the output latch by using a transfer instruction. Because the output buffer is off, however, the status of the pin remains unchanged.

Once data has been written to the output latch, it is retained until new data is written to the output latch.

Caution Although a 1-bit memory manipulation instruction manipulates 1 bit, it accesses a port in 8-bit units. If a port has a mixture of input and output pins, therefore, the contents of the output latch of a pin set in the input mode become undefined, even if the pin is not subject to manipulation.

(2) Reading from I/O port

(a) In output mode

The contents of the output latch can be read by using a transfer instruction. The contents of the output latch are not changed.

(b) In input mode

The status of the pin can be read by using a transfer instruction. The contents of the output latch are not changed.

(3) Operation of I/O port

(a) In output mode

An operation is performed on the contents of the output latch and the result is written to the output latch. The contents of the output latch are output from the pin.

Once data has been written to the output latch, it is retained until new data is written to the output latch.

(b) In input mode

The contents of the output latch become undefined. Because the output buffer is off, however, the status of the pin remains unchanged.

Caution Although a 1-bit memory manipulation instruction manipulates 1 bit, it accesses a port in 8-bit units. If a port has a mixture of input and output pins, therefore, the contents of the output latch of a pin set in the input mode become undefined, even if the pin is not subject to manipulation.

4.3.2 Notes on setting port pins

(1) The number of ports and alternate functions differs depending on the product. Set the registers related to the unavailable ports and alternate functions to the value after reset.

(2) Set the registers of the ports using the following procedure.

<1> Set port function control register n (PFCn) and port function control expansion register n (PFCEn).

<2> Set port mode control register n (PMcN).

<3> Set external interrupt falling edge specification register n (INTFn) and external interrupt rising edge specification register n (INTRn).

If the PFCn and PFCEn registers are set after the PMcN register was set, an unexpected peripheral function pin may be set while the PFCn and PFCEn registers are being set.

(3) The PUnm bit (which connects an on-chip pull-up resistor) of the PUn register is valid only in the input mode (PMnm bit of PMn register = 1). In the output mode (PMnm bit of PMn register = 0), the on-chip pull-up register is disconnected by hardware.

(4) Reading the pin level and port latch is controlled by the port mode register (PMn). The same applies when an alternate function is used.

(5) The Schmitt (SHMT)-trigger input buffer does not operate as an SHMT buffer when it is read in the port mode.

4.3.3 Port 0

Port 0 is a 7-bit port (P00 to P06) for which I/O settings can be controlled in 1-bit units.

(1) Functions of port 0

- The input/output data of the port can be specified in 1-bit units.
Specified by port register 0 (P0)
- The input/output mode of the port can be specified in 1-bit units.
Specified by port mode register 0 (PM0)
- Port mode or control mode (alternate function) can be specified in 1-bit units.
Specified by port mode control register 0 (PMC0)
- Control mode 1 or control mode 2 can be specified in 1-bit units.
Specified by port function control register 0 (PFC0)
- An on-chip pull-up resistor can be connected in 1-bit units.
Specified by pull-up resistor option register 0 (PU0)

Port 0 functions alternately as the following pins.

Table 4-3. Alternate-Function Pins of Port 0

Pin Name	Pin No.	Alternate-Function Pin Name	I/O	Remark	Block Type
P00	6	TIP31/TOP31	I/O	-	G-1
P01	7	TIP30/TOP30			G-1
P02	17	NMI ^{Note 1}			L-1
P03	18	INTP0/ADTRG			N-1
P04	19	INTP1			L-1
P05	20	INTP2/ $\overline{\text{DRST}}$ ^{Note 2}			AA-1
P06	21	INTP3			L-1

Notes 1. The NMI pin alternately functions as the P02 pin. It functions as the P02 pin after reset.

To enable the NMI pin, set the PMC0.PMC02 bit to 1. The initial setting of the NMI pin is “No edge detected”. Select the NMI pin valid edge using INTF0 and INTR0 registers.

- 2.** The alternate function of the P05 pin is the on-chip debug function. After external reset, the P05/INTP2/ $\overline{\text{DRST}}$ pin is initialized as the on-chip debug pin ($\overline{\text{DRST}}$). To use the P05 pin as a port pin, not as an on-chip debug pin, the following actions must be taken.

<1> Clear the OCDM0 bit of the OCDM register (special register) to 0.

<2> Fix the P05/INTP2/ $\overline{\text{DRST}}$ pin to the low level until the above action has been taken.

When the on-chip debug function is not used, inputting a high level to the $\overline{\text{DRST}}$ pin before the above actions are taken may cause a malfunction (CPU deadlock). Exercise utmost care in handling the P05 pin.

When a high level is not input to the P05/INTP2/ $\overline{\text{DRST}}$ pin (when this pin is fixed to low level), it is not necessary to manipulate the OCDM0 bit of the OCDM register.

Because a pull-down resistor (30 k Ω TYP.) is connected to the buffer of the P05/INTP2/ $\overline{\text{DRST}}$ pin, the pin does not have to be fixed to the low level by an external source. The pull-down resistor is disconnected by clearing the OCDM0 bit to 0.

Caution The P00 to P06 pins have hysteresis characteristics in the input mode of the alternate function, but do not have hysteresis characteristics in the port mode.

(2) Registers

(a) Port register 0 (P0)

Port register 0 (P0) is an 8-bit register that controls reading the pin level and writing the output level. This register can be read or written in 8-bit or 1-bit units.

After reset: Undefined	R/W	Address: FFFFF400H							
		7	6	5	4	3	2	1	0
P0		0	P06	P05	P04	P03	P02	P01	P00
	P0n	Control of output data (in output mode) (n = 0 to 6)							
	0	Output 0.							
	1	Output 1.							

(b) Port mode register 0 (PM0)

This is an 8-bit register that specifies the input or output mode. It can be read or written in 8-bit or 1-bit units.

After reset: FFH	R/W	Address: FFFFF420H							
		7	6	5	4	3	2	1	0
PM0		1	PM06	PM05	PM04	PM03	PM02	PM01	PM00
	PM0n	Control of input/output mode (n = 0 to 6)							
	0	Output mode							
	1	Input mode							

(c) Port mode control register 0 (PMC0)

This is an 8-bit register that specifies the port mode or control mode. It can be read or written in 8-bit or 1-bit units.

After reset: 00H		R/W		Address: FFFFF440H				
	7	6	5	4	3	2	1	0
PMC0	0	PMC06	PMC05	PMC04	PMC03	PMC02	PMC01	PMC00
	Specification of operation mode of P06 pin							
	0	I/O port						
	1	INTP3 input						
	Specification of operation mode of P05 pin							
	0	I/O port						
	1	INTP2/ $\overline{\text{DRST}}$ input						
	Specification of operation mode of P04 pin							
	0	I/O port						
	1	INTP1 input						
	Specification of operation mode of P03 pin							
	0	I/O port						
	1	INTP0/ $\overline{\text{ADTRG}}$ input						
	Specification of operation mode of P02 pin							
	0	I/O port						
	1	NMI input						
	Specification of operation mode of P01 pin							
	0	I/O port						
	1	TIP30/TOP30 I/O						
	Specification of operation mode of P00 pin							
	0	I/O port						
	1	TIP31/TOP31 I/O						

Caution The P05/ $\overline{\text{INTP2/DRST}}$ pin functions as the $\overline{\text{DRST}}$ pin when the OCDM.OCDM0 bit is 1, regardless of the value of the PMC05 bit.

(d) Port function control register 0 (PFC0)

This is an 8-bit register that specifies control mode 1 or control mode 2. It can be read or written in 8-bit or 1-bit units.

After reset: 00H	R/W	Address: FFFFF460H							
		7	6	5	4	3	2	1	0
PFC0		0	0	0	0	PFC03	0	PFC01	PFC00
PFC03		Specification of operation mode when P03 pin is in control mode							
		0	INTP0 input						
		1	ADTRG input						
PFC01		Specification of operation mode when P01 pin is in control mode							
		0	TIP30 input						
		1	TOP30 output						
PFC00		Specification of operation mode when P00 pin is in control mode							
		0	TIP31 input						
		1	TOP31 output						

(e) Pull-up resistor option register 0 (PU0)

This is an 8-bit register that specifies connection of an on-chip pull-up resistor. It can be read or written in 8-bit or 1-bit units.

After reset: 00H	R/W	Address: FFFFFC40H							
		7	6	5	4	3	2	1	0
PU0		0	PU06	PU05	PU04	PU03	PU02	PU01	PU00
PU0n		Control of on-chip pull-up resistor connection (n = 0 to 6)							
		0	Not connected						
		1	Connected						

4.3.4 Port 1

Port 1 is a 2-bit port (P10, P11) for which I/O settings can be controlled in 1-bit units.

(1) Functions of port 1

- The input/output data of the port can be specified in 1-bit units.
Specified by port register 1 (P1)
- The input/output mode of the port can be specified in 1-bit units.
Specified by port mode register 1 (PM1)
- Port mode or control mode (alternate function) can be specified in 1-bit units.
Specified by port mode control register 1 (PMC1)
- An on-chip pull-up resistor can be connected in 1-bit units.
Specified by pull-up resistor option register 1 (PU1)

Port 1 functions alternately as the following pins.

Table 4-4. Alternate-Function Pins of Port 1

Pin Name	Pin No.	Alternate-Function Pin Name	I/O	Remark	Block Type
P10	3	INTP9	I/O	-	L-1
P11	4	INTP10			L-1

Caution The P10 and P11 pins have hysteresis characteristics in the input mode of the alternate function, but do not have hysteresis characteristics in the port mode.

(2) Registers

(a) Port register 1 (P1)

Port register 1 (P1) is an 8-bit register that controls reading the pin level and writing the output level. This register can be read or written in 8-bit or 1-bit units.

After reset: Undefined		R/W	Address: FFFFF402H					
	7	6	5	4	3	2	1	0
P1	0	0	0	0	0	0	P11	P10
P1n	Control of output data (in output mode) (n = 0, 1)							
0	Output 0.							
1	Output 1.							

(b) Port mode register 1 (PM1)

This is an 8-bit register that specifies the input or output mode. It can be read or written in 8-bit or 1-bit units.

After reset: FFH		R/W	Address: FFFFF422H					
	7	6	5	4	3	2	1	0
PM1	1	1	1	1	1	1	PM11	PM10
PM1n	Control of input/output mode (n = 0, 1)							
0	Output mode							
1	Input mode							

(c) Port mode control register 1 (PMC1)

This is an 8-bit register that specifies the port mode or control mode. It can be read or written in 8-bit or 1-bit units.

After reset: 00H	R/W	Address: FFFFF442H							
		7	6	5	4	3	2	1	0
PMC1		0	0	0	0	0	0	PMC11	PMC10

PMC11	Specification of operation mode of P11 pin
0	I/O port
1	INTP10 input

PMC10	Specification of operation mode of P10 pin
0	I/O port
1	INTP9 input

(d) Pull-up resistor option register 1 (PU1)

This is an 8-bit register that specifies connection of an on-chip pull-up resistor. It can be read or written in 8-bit or 1-bit units.

After reset: 00H	R/W	Address: FFFFFC42H							
		7	6	5	4	3	2	1	0
PU1		0	0	0	0	0	0	PU11	PU10

PU1n	Control of on-chip pull-up resistor connection (n = 0, 1)
0	Not connected
1	Connected

4.3.5 Port 3

Port 3 is a 10-bit port (P30 to P39) for which I/O settings can be controlled in 1-bit units.

(1) Function of port 3

- The input/output data of the port can be specified in 1-bit units.
Specified by port register 3 (P3)
- The input/output mode of the port can be specified in 1-bit units.
Specified by port mode register 3 (PM3)
- Port mode or control mode (alternate function) can be specified in 1-bit units.
Specified by port mode control register 3 (PMC3)
- Control mode can be specified in 1-bit units.
Specified by port function control register 3 (PFC3) and port function control expansion register 3L (PFCE3L)
- An on-chip pull-up resistor can be connected in 1-bit units.
Specified by pull-up resistor option register 3 (PU3)

Port 3 functions alternately as the following pins.

Table 4-5. Alternate-Function Pins of Port 3

Pin Name	Pin No.	Alternate-Function Pin Name	I/O	Remark	Block Type
P30	25	TXDA0	I/O	-	E-2
P31	26	RXDA0/INTP7			L-2
P32	27	ASCKA0/TIP00/TOP00/TOP01			U-13
P33	28	TIP01/TOP01			G-1
P34	29	TIP10/TOP10			G-1
P35	30	TIP11/TOP11			G-1
P36	31	-			C-1
P37	32	-			C-1
P38	35	TXDA2			E-2
P39	36	RXDA2/INTP8			L-2

Caution The P31 to P35, and P39 pins have hysteresis characteristics in the input mode of the alternate function, but do not have hysteresis characteristics in the port mode.

(2) Registers

(a) Port register 3 (P3)

Port register 3 (P3) is a 16-bit register that controls reading the pin level and writing the output level. This register can be read or written in 16-bit units.

If the higher 8 bits of the P3 register are used as the P3H register, and the lower 8 bits as the P3L register, however, these registers can be read or written in 8-bit or 1-bit units.

After reset: Undefined		R/W	Address: FFFFF406H, FFFFF407H					
	15	14	13	12	11	10	9	8
P3 (P3H ^{Note})	0	0	0	0	0	0	P39	P38
	7	6	5	4	3	2	1	0
(P3L)	P37	P36	P35	P34	P33	P32	P31	P30
P3n	Control of output data (in output mode) (n = 0 to 9)							
0	Output 0.							
1	Output 1.							

Note To read or write bits 8 to 15 of the P3 register in 8-bit or 1-bit units, specify these bits as bits 0 to 7 of the P3H register.

(b) Port mode register 3 (PM3)

This is a 16-bit register that specifies the input or output mode. It can be read or written in 16-bit units.

If the higher 8 bits of the PM3 register are used as the PM3H register, and the lower 8 bits as the PM3L register, however, these registers can be read or written in 8-bit or 1-bit units.

After reset: FFFFH		R/W	Address: FFFFF426H, FFFFF427H					
	15	14	13	12	11	10	9	8
PM3 (PM3H ^{Note})	1	1	1	1	1	1	PM39	PM38
	7	6	5	4	3	2	1	0
(PM3L)	PM37	PM36	PM35	PM34	PM33	PM32	PM31	PM30
PM3n	Control of I/O mode (n = 0 to 9)							
0	Output mode							
1	Input mode							

Note To read or write bits 8 to 15 of the PM3 register in 8-bit or 1-bit units, specify these bits as bits 0 to 7 of the PM3H register.

(c) Port mode control register 3 (PMC3)

This is a 16-bit register that specifies the port mode or control mode. It can be read or written in 16-bit units.

If the higher 8 bits of the PMC3 register are used as the PMC3H register, and the lower 8 bits as the PMC3L register, however, these registers can be read or written in 8-bit or 1-bit units.

(1/2)

After reset: 0000H		R/W		Address: FFFFF446H, FFFFF447H							
	15	14	13	12	11	10	9	8			
PMC3 (PMC3H ^{Note 1})	0	0	0	0	0	0	PMC39	PMC38			
	7	6	5	4	3	2	1	0			
(PMC3L)	0	0	PMC35	PMC34	PMC33	PMC32	PMC31	PMC30			

PMC39	Specification of operation mode of P39 pin
0	I/O port
1	RXDA2/INTP8 input ^{Note 2}

PMC38	Specification of operation mode of P38 pin
0	I/O port
1	TXDA2 output

PMC35	Specification of operation mode of P35 pin
0	I/O port
1	TIP11/TOP11 I/O

PMC34	Specification of operation mode of P34 pin
0	I/O port
1	TIP10/TOP10 I/O

- Notes 1.** To read or write bits 8 to 15 of the PMC3 register in 8-bit or 1-bit units, specify these bits as bits 0 to 7 of the PMC3H register.
- 2.** The INTP8 pin functions alternately as the RXDA2 pin. To use as the RXDA2 pin, invalidate the edge detection function of the alternate-function INTP8 pin (by fixing the INTF3.INTF39 bit to 0 and the INTR3.INTR39 bit to 0). To use as the INTP8 pin, stop the reception operation of UARTA2 (by clearing the UA2CTL0.UA2RXE bit to 0).

PMC33	Specification of operation mode of P33 pin
0	I/O port
1	TIP01/TOP01 I/O

PMC32	Specification of operation mode of P32 pin
0	I/O port
1	ASCKA0/TIP00/TOP00/TOP01 I/O

PMC31	Specification of operation mode of P31 pin
0	I/O port
1	RXDA0/INTP7 input ^{Note}

PMC30	Specification of operation mode of P30 pin
0	I/O port
1	TXDA0 output

Note The INTP7 pin functions alternately as the RXDA0 pin. To use as the RXDA0 pin, invalidate the edge detection function of the alternate-function INTP7 pin (by fixing the INTF3.INTF31 and INTR3.INTR31 bits to 0). To use as the INTP7 pin, stop the reception operation of UARTA0 (by clearing the UA0CTL0.UA0RXE bit to 0).

(d) Port function control register 3L (PFC3L)

This is an 8-bit register that specifies control mode 1, 2, 3, or 4. It can be read or written in 8-bit or 1-bit units.

After reset: 00H	R/W	Address: FFFFF466H							
		7	6	5	4	3	2	1	0
PFC3L		0	0	PFC35	PFC34	PFC33	PFC32	0	0

Remark For how to specify a control mode, see 4.3.5 (2) (f) **Setting of control mode of P3 pin.**

(e) Port function control expansion register 3L (PFCE3L)

This is an 8-bit register that specifies control mode 1, 2, 3, or 4. It can be read or written in 8-bit or 1-bit units.

After reset: 00H	R/W	Address: FFFFF706H							
		7	6	5	4	3	2	1	0
PFCE3L		0	0	0	0	0	PFCE32	0	0

Remark For how to specify a control mode, see 4.3.5 (2) (f) **Setting of control mode of P3 pin.**

(f) Setting of control mode of P3 pin

PFC35	Specification of control mode of P35 pin
0	TIP11 input
1	TOP11 output

PFC34	Specification of control mode of P34 pin
0	TIP10 input
1	TOP10 output

PFC33	Specification of control mode of P33 pin
0	TIP01 input
1	TOP01 output

PFCE32	PFC32	Specification of control mode of P32 pin
0	0	ASCKA0 input
0	1	TOP01 output
1	0	TIP00 input
1	1	TOP00 output

(g) Pull-up resistor option register 3 (PU3)

This is a 16-bit register that specifies connection of an on-chip pull-up resistor. It can be read or written in 16- or 1-bit units.

If the higher 8 bits of the PU3 register are used as the PU3H register, and the lower 8 bits as the PU3L register, however, these registers can be read or written in 8-bit or 1-bit units.

After reset: 0000H	R/W	Address: FFFFC46H, FFFFC47H
--------------------	-----	-----------------------------

	15	14	13	12	11	10	9	8
PU3 (PU3H ^{Note})	0	0	0	0	0	0	PU39	PU38

	7	6	5	4	3	2	1	0
(PU3L)	PU37	PU36	PU35	PU34	PU33	PU32	PU31	PU30

PU3n	Control of on-chip pull-up resistor connection (n = 0 to 9)
0	Not connected
1	Connected

Note To read/write bits 8 to 15 of the PU3 register in 8-bit or 1-bit units, specify these bits as bits 0 to 7 of the PU3H register.

4.3.6 Port 4

Port 4 is a 3-bit port (P40 to P42) for which I/O settings can be controlled in 1-bit units.

(1) Functions of port 4

- The input/output data of the port can be specified in 1-bit units.
Specified by port register 4 (P4)
- The input/output mode of the port can be specified in 1-bit units.
Specified by port mode register 4 (PM4)
- Port mode or control mode (alternate function) can be specified in 1-bit units.
Specified by port mode control register 4 (PMC4)
- An on-chip pull-up resistor can be connected in 1-bit units.
Specified by pull-up resistor option register 4 (PU4)

Port 4 functions alternately as the following pins.

Table 4-6. Alternate-Function Pins of Port 4

Pin Name	Pin No.	Alternate-Function Pin Name	I/O	Remark	Block Type
P40	22	SIB0	I/O	-	E-1
P41	23	SOB0			E-2
P42	24	SCKB0			E-3

Caution The P40 and P42 pins have hysteresis characteristics in the input mode of the alternate function, but do not have hysteresis characteristics in the port mode.

(2) Registers

(a) Port register 4 (P4)

Port register 4 (P4) is an 8-bit register that controls reading the pin level and writing the output level. This register can be read or written in 8-bit or 1-bit units.

After reset: Undefined		R/W	Address: FFFFF408H					
	7	6	5	4	3	2	1	0
P4	0	0	0	0	0	P42	P41	P40
P4n	Control of output data (in output mode) (n = 0 to 2)							
0	Output 0.							
1	Output 1.							

(b) Port mode register 4 (PM4)

This is an 8-bit register that specifies the input or output mode. It can be read or written in 8-bit or 1-bit units.

After reset: FFH		R/W	Address: FFFFF428H					
	7	6	5	4	3	2	1	0
PM4	1	1	1	1	1	PM42	PM41	PM40
PM4n	Control of input/output mode (n = 0 to 2)							
0	Output mode							
1	Input mode							

(c) Port mode control register 4 (PMC4)

This is an 8-bit register that specifies the port mode or control mode. It can be read or written in 8-bit or 1-bit units.

After reset: 00H		R/W	Address: FFFFF448H					
	7	6	5	4	3	2	1	0
PMC4	0	0	0	0	0	PMC42	PMC41	PMC40

PMC42	Specification of operation mode of P42 pin	
0	I/O port	
1	SCKB0 I/O	

PMC41	Specification of operation mode of P41 pin	
0	I/O port	
1	SOB0 output	

PMC40	Specification of operation mode of P40 pin	
0	I/O port	
1	SIB0 input	

(d) Pull-up resistor option register 4 (PU4)

This is an 8-bit register that specifies connection of an on-chip pull-up resistor. It can be read or written in 8-bit or 1-bit units.

After reset: 00H		R/W	Address: FFFFFC48H					
	7	6	5	4	3	2	1	0
PU4	0	0	0	0	0	PU42	PU41	PU40

PU4n	Control of on-chip pull-up resistor connection (n = 0 to 2)	
0	Not connected	
1	Connected	

4.3.7 Port 5

Port 5 is a 6-bit port (P50 to P55) for which I/O settings can be controlled in 1-bit units.

(1) Functions of port 5

- The input/output data of the port can be specified in 1-bit units.
Specified by port register 5 (P5)
- The input/output mode of the port can be specified in 1-bit units.
Specified by port mode register 5 (PM5)
- Port mode or control mode (alternate function) can be specified in 1-bit units.
Specified by port mode control register 5 (PMC5)
- Control mode can be specified in 1-bit units.
Specified by port function control register 5 (PFC5) or port function control expansion register 5 (PFCE5)
- An on-chip pull-up resistor can be connected in 1-bit units.
Specified by pull-up resistor option register 5 (PU5)

Port 5 functions alternately as the following pins.

Table 4-7. Alternate-Function Pins of Port 5

Pin Name	Pin No.	Alternate-Function Pin Name	I/O	Remark	Block Type
P50	37	KR0/TIQ01/TOQ01	I/O	-	U-4
P51	38	KR1/TIQ02/TOQ02			U-4
P52	39	KR2/TIQ03/TOQ03/DDI ^{Note}			U-5
P53	40	KR3/TIQ00/TOQ00/DDO ^{Note}			U-6
P54	41	KR4/DCK ^{Note}			G-2
P55	42	KR5/DMS ^{Note}			G-2

Note The DDI, DDO, DCK, and DMS pins are for the on-chip debug function. To use the DDI, DDO, DCK, and DMS pins as port pins, not as on-chip debug pins, after an external reset, the following actions must be taken.

<1> Clear the OCDM0 bit of the OCDM register (special register) to 0.

<2> Fix the P05/INTP2/ $\overline{\text{DRST}}$ pin to the low level until the above action has been taken.

When the on-chip debug function is not used, inputting a high level to the $\overline{\text{DRST}}$ pin before the above actions are taken may cause a malfunction (CPU deadlock). Exercise utmost care in handling the P05 pin.

When a high level is not input to the P05/INTP2/ $\overline{\text{DRST}}$ pin (when this pin is fixed to low level), it is not necessary to manipulate the OCDM.OCDM0 bit.

Because a pull-down resistor (30 k Ω TYP.) is connected to the buffer of the P05/INTP2/ $\overline{\text{DRST}}$ pin, the pin does not have to be fixed to the low level by an external source. The pull-down resistor is disconnected by clearing the OCDM0 bit to 0.

Caution The P50 to P55 pins have hysteresis characteristics in the input mode of the alternate function, but do not have hysteresis characteristics in the port mode.

(2) Registers

(a) Port register 5 (P5)

Port register 5 (P5) is an 8-bit register that controls reading the pin level and writing the output level. This register can be read or written in 8-bit or 1-bit units.

After reset: Undefined		R/W	Address: FFFFF40AH					
	7	6	5	4	3	2	1	0
P5	0	0	P55	P54	P53	P52	P51	P50
P5n	Control of output data (in output mode) (n = 0 to 5)							
0	Output 0.							
1	Output 1.							

(b) Port mode register 5 (PM5)

This is an 8-bit register that specifies the input or output mode. It can be read or written in 8-bit or 1-bit units.

After reset: FFH		R/W	Address: FFFFF42AH					
	7	6	5	4	3	2	1	0
PM5	1	1	PM55	PM54	PM53	PM52	PM51	PM50
PM5n	Control of I/O mode (n = 0 to 5)							
0	Output mode							
1	Input mode							

(c) Port mode control register 5 (PMC5)

This is an 8-bit register that specifies the port mode or control mode. It can be read or written in 8-bit or 1-bit units.

Caution If the control mode is specified by using the PMC5 register when the PFC5.PFC5n and PFCE5.PFCE5n bits are the default values (0), the output becomes undefined. For this reason, first set the PFC5.PFC5n and PFCE5.PFCE5n bits, and then set the PMC5n bit to 1 to set the control mode.

After reset: 00H		R/W	Address: FFFFF44AH					
	7	6	5	4	3	2	1	0
PMC5	0	0	PMC55	PMC54	PMC53	PMC52	PMC51	PMC50

PMC55	Specification of operation mode of P55 pin
0	I/O port
1	KR5 input

PMC54	Specification of operation mode of P54 pin
0	I/O port
1	KR4 input

PMC53	Specification of operation mode of P53 pin
0	I/O port
1	KR3/TIQ00/TOQ00 I/O

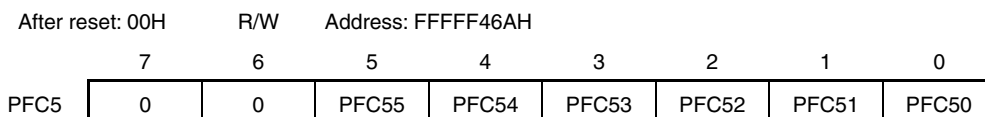
PMC52	Specification of operation mode of P52 pin
0	I/O port
1	KR2/TIQ03/TOQ03 I/O

PMC51	Specification of operation mode of P51 pin
0	I/O port
1	KR1/TIQ02/TOQ02 I/O

PMC50	Specification of operation mode of P50 pin
0	I/O port
1	KR0/TIQ01/TOQ01 I/O

(d) Port function control register 5 (PFC5)

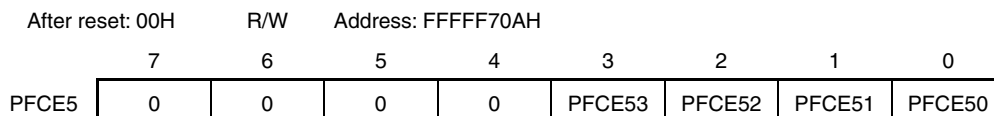
This is an 8-bit register that specifies control mode 1, 2, 3, or 4. It can be read or written in 8-bit or 1-bit units.



Remark For how to specify a control mode, see 4.3.7 (2) (f) **Setting of control mode of P5 pin.**

(e) Port function control expansion register 5 (PFCE5)

This is an 8-bit register that specifies control mode 1, 2, 3, or 4. It can be read or written in 8-bit or 1-bit units.



Remark For how to specify a control mode, see 4.3.7 (2) (f) **Setting of control mode of P5 pin.**

(f) Setting of control mode of P5 pin

Caution If the control mode is specified by using the PMC5 register when the PFC5.PFC5n and PFCE5.PFCE5n bits are the default values (0), the output becomes undefined.

For this reason, first set the PFC5.PFC5n and PFCE5.PFCE5n bits, and then set the PMC5n bit to 1 to set the control mode.

PFC55	Specification of control mode of P55 pin
0	Setting prohibited
1	KR5 input

PFC54	Specification of control mode of P54 pin
0	Setting prohibited
1	KR4 input

PFCE53	PFC53	Specification of control mode of P53 pin
0	0	Setting prohibited
0	1	TIQ00/KR3 ^{Note} input
1	0	TOQ00 output
1	1	Setting prohibited

PFCE52	PFC52	Specification of control mode of P52 pin
0	0	Setting prohibited
0	1	TIQ03/KR2 ^{Note} input
1	0	TOQ03 output
1	1	Setting prohibited

PFCE51	PFC51	Specification of control mode of P51 pin
0	0	Setting prohibited
0	1	TIQ02/KR1 ^{Note} input
1	0	TOQ02 output
1	1	Setting prohibited

PFCE50	PFC50	Specification of control mode of P50 pin
0	0	Setting prohibited
0	1	TIQ01/KR0 ^{Note} input
1	0	TOQ01 output
1	1	Setting prohibited

Note The KRn pin functions alternately as the TIQ0m pin. To use this pin as the TIQ0m pin, invalidate the key return detection function of the alternate-function KRn pin (by clearing the KRM.KRMn bit to 0). To use this pin as the KRn pin, invalidate the edge detection function of the alternate-function TIQ0m pin (n = 0 to 3, m = 0 to 3).

Pin Name	Use as TIQ0m Pin	Use as KRn Pin
KR0/TIQ01	KRM0 bit of KRM register = 0	TQ0TIG2, TQ0TIG3 bit of TQ0IOC1 register = 0
KR1/TIQ02	KRM1 bit of KRM register = 0	TQ0TIG4, TQ0TIG5 bit of TQ0IOC1 register = 0
KR2/TIQ03	KRM2 bit of KRM register = 0	TQ0TIG6, TQ0TIG7 bit of TQ0IOC1 register = 0
KR3/TIQ00	KRM3 bit of KRM register = 0	TQ0TIG0, TQ0TIG1 bit of TQ0IOC1 register = 0 TQ0EES0, TQ0EES1 bit of TQ0IOC2 register = 0 TQ0ETS0, TQ0ETS1 bit of TQ0IOC2 register = 0

(g) Pull-up resistor option register 5 (PU5)

This is an 8-bit register that specifies connection of an on-chip pull-up resistor. It can be read or written in 8-bit or 1-bit units.

After reset: 00H	R/W	Address: FFFFFFFC4AH							
		7	6	5	4	3	2	1	0
PU5		0	0	PU55	PU54	PU53	PU52	PU51	PU50

PU5n	Control of on-chip pull-up resistor connection (n = 0 to 5)
0	Not connected
1	Connected

4.3.8 Port 6

Port 6 is a 16-bit port (P60 to P615) for which I/O settings can be controlled in 1-bit units.

(1) Functions of port 6

- The input/output data of the port can be specified in 1-bit units.
Specified by port register 6 (P6)
- The input/output mode of the port can be specified in 1-bit units.
Specified by port mode register 6 (PM6)
- Port mode or control mode (alternate function) can be specified in 1-bit units.
Specified by port mode control register 6 (PMC6)
- Control mode 1 or control mode 2 can be specified in 1-bit units.
Specified by port function control register 6 (PFC6)
- An on-chip pull-up resistor can be connected in 1-bit units.
Specified by pull-up resistor option register 6 (PU6)

Port 6 functions alternately as the following pins.

Table 4-8. Alternate-Function Pins of Port 6

Pin Name	Pin No.	Alternate-Function Pin Name	I/O	Remark	Block Type
P60	43	INTP11	I/O	-	N-2
P61	44	INTP12			N-2
P62	45	INTP13			N-2
P63	46	-			C-1
P64	47	-			C-1
P65	48	-			C-1
P66	49	-			C-1
P67	50	-			C-1
P68	51	-			C-1
P69	52	-			C-1
P610	53	TIQ20/TOQ20			G-1
P611	54	TIQ21/TOQ21			G-1
P612	55	TIQ22/TOQ22			G-1
P613	56	TIQ23/TOQ23			G-1
P614	57	-			C-1
P615	58	-			C-1

Caution The P60 to P62, and P610 to P613 pins have hysteresis characteristics in the input mode of the alternate function, but do not have hysteresis characteristics in the port mode.

(2) Registers

(a) Port register 6 (P6)

Port register 6 (P6) is a 16-bit register that controls reading the pin level and writing the output level. This register can be read or written in 16-bit units.

If the higher 8 bits of the P6 register are used as the P6H register, and the lower 8 bits as the P6L register, however, these registers can be read or written in 8-bit or 1-bit units.

After reset: Undefined		R/W	Address: FFFFF40CH, FFFFF40DH							
	15	14	13	12	11	10	9	8		
P6 (P6H ^{Note})	P615	P614	P613	P612	P611	P610	P69	P68		
	7	6	5	4	3	2	1	0		
(P6L)	P67	P66	P65	P64	P63	P62	P61	P60		
P6n	Control of output data (in output mode) (n = 0 to 15)									
0	Output 0.									
1	Output 1.									

Note To read or write bits 8 to 15 of the P6 register in 8-bit or 1-bit units, specify these bits as bits 0 to 7 of the P6H register.

(b) Port mode register 6 (PM6)

This is a 16-bit register that specifies the input or output mode. It can be read or written in 16-bit units.

If the higher 8 bits of the PM6 register are used as the PM6H register, and the lower 8 bits as the PM6L register, however, these registers can be read or written in 8-bit or 1-bit units.

After reset: FFFFH		R/W	Address: FFFFF42CH, FFFFF42DH							
	15	14	13	12	11	10	9	8		
PM6 (PM6H ^{Note})	PM615	PM614	PM613	PM612	PM611	PM610	PM69	PM68		
	7	6	5	4	3	2	1	0		
(PM6L)	PM67	PM66	PM65	PM64	PM63	PM62	PM61	PM60		
PM6n	Control of I/O mode (n = 0 to 15)									
0	Output mode									
1	Input mode									

Note To read or write bits 8 to 15 of the PM6 register in 8-bit or 1-bit units, specify these bits as bits 0 to 7 of the PM6H register.

(c) Port mode control register 6 (PMC6)

This is a 16-bit register that specifies the port mode or control mode. It can be read or written in 16-bit units.

If the higher 8 bits of the PMC6 register are used as the PMC6H register, and the lower 8 bits as the PMC6L register, however, these registers can be read or written in 8-bit or 1-bit units.

Caution If the control mode is specified by using the PMC6 register when the PFC6.PFC6n bit is the default value (0), the output becomes undefined (n = 0 to 8).

For this reason, first set the PFC6.PFC6n bit to 1, and then set the PMC6n bit to 1 to set the control mode.

(1/2)

After reset: 0000H		R/W	Address: FFFFF44CH, FFFFF44DH					
	15	14	13	12	11	10	9	8
PMC6 (PMC6H ^{Note})	0	0	PMC613	PMC612	PMC611	PMC610	0	0
	7	6	5	4	3	2	1	0
(PMC6L)	0	0	0	0	0	PMC62	PMC61	PMC60

PMC613	Specification of operation mode of P613 pin
0	I/O port
1	TIQ23/TOQ23 I/O

PMC612	Specification of operation mode of P612 pin
0	I/O port
1	TIQ22/TOQ22 I/O

PMC611	Specification of operation mode of P611 pin
0	I/O port
1	TIQ21/TOQ21 I/O

PMC610	Specification of operation mode of P610 pin
0	I/O port
1	TIQ20/TOQ20 I/O

Note To read or write bits 8 to 15 of the PMC6 register in 8-bit or 1-bit units, specify these bits as bits 0 to 7 of the PMC6H register.

PMC62	Specification of operation mode of P62 pin
0	I/O port
1	INTP13 input

PMC61	Specification of operation mode of P61 pin
0	I/O port
1	INTP12 input

PMC60	Specification of operation mode of P60 pin
0	I/O port
1	INTP11 input

(d) Port function control register 6 (PFC6)

This is a 16-bit register that specifies control mode 1 or 2. It can be read or written in 16-bit units.

If the higher 8 bits of the PFC6 register are used as the PFC6H register, and the lower 8 bits as the PFC6L register, however, these registers can be read or written in 8-bit or 1-bit units.

Caution If the control mode is specified by using the PMC6 register when the PFC6.PFC6n bit is the default value (0), the output becomes undefined (n = 0 to 8).

For this reason, first set the PFC6.PFC6n bit to 1, and then set the PMC6n bit to 1 to set the control mode.

(1/2)

After reset: 0000H		R/W	Address: FFFFF46CH, FFFFF46DH						
	15	14	13	12	11	10	9	8	
PFC6 (PFC6H ^{Note})	0	0	PFC613	PFC612	PFC611	PFC610	0	0	
	7	6	5	4	3	2	1	0	
(PFC6L)	0	0	0	0	0	PFC62	PFC61	PFC60	

PFC613	Specification of control mode of P613 pin
0	TIQ23 input
1	TOQ23 output

PFC612	Specification of control mode of P612 pin
0	TIQ22 input
1	TOQ22 output

PFC611	Specification of control mode of P611 pin
0	TIQ21 input
1	TOQ21 output

PFC610	Specification of control mode of P610 pin
0	TIQ20 input
1	TOQ20 output

Note To read or write bits 8 to 15 of the PFC6 register in 8-bit or 1-bit units, specify these bits as bits 0 to 7 of the PFC6H register.

PFC62	Specification of control mode of P62 pin
0	Setting prohibited
1	INTP13 input

PFC61	Specification of control mode of P61 pin
0	Setting prohibited
1	INTP12 input

PFC60	Specification of control mode of P60 pin
0	Setting prohibited
1	INTP11 input

(e) Pull-up resistor option register 6 (PU6)

This is a 16-bit register that specifies connection of an on-chip pull-up resistor. It can be read or written in 16-bit units.

If the higher 8 bits of the PU6 register are used as the PU6H register, and the lower 8 bits as the PU6L register, however, these registers can be read or written in 8-bit or 1-bit units.

After reset: 0000H		R/W		Address: FFFFC4CH, FFFFC4DH							
		15	14	13	12	11	10	9	8		
PU6 (PU6H ^{Note})		PU615	PU614	PU613	PU612	PU611	PU610	PU69	PU68		
		7	6	5	4	3	2	1	0		
(PU6L)		PU67	PU66	PU65	PU64	PU63	PU62	PU61	PU60		
	PU6n	Control of on-chip pull-up resistor connection (n = 0 to 15)									
	0	Not connected									
	1	Connected									

Note To read/write bits 8 to 15 of the PU6 register in 8-bit or 1-bit units, specify these bits as bits 0 to 7 of the PU6H register.

4.3.9 Port 7

Port 7 is a 16-bit port (P70 to P715) for which I/O settings can be controlled in 1-bit units.

(1) Functions of port 7

- The input/output data of the port can be specified in 1-bit units.
Specified by port registers 7L, 7H (P7L, P7H)
- The input/output mode of the port can be specified in 1-bit units.
Specified by port mode registers 7L, 7H (PM7L, PM7H)

Port 7 functions alternately as the following pins.

Table 4-9. Alternate-Function Pins of Port 7

Pin Name	Pin No.	Alternate-Function Pin Name	I/O	Remark	Block Type
P70	144	ANI0	I/O	-	A-1
P71	143	ANI1			A-1
P72	142	ANI2			A-1
P73	141	ANI3			A-1
P74	140	ANI4			A-1
P75	139	ANI5			A-1
P76	138	ANI6			A-1
P77	137	ANI7			A-1
P78	136	ANI8			A-1
P79	135	ANI9			A-1
P710	134	ANI10			A-1
P711	133	ANI11			A-1
P712	132	ANI12			A-1
P713	131	ANI13			A-1
P714	130	ANI14			A-1
P715	129	ANI15			A-1

(2) Registers

(a) Port register 7H, port register 7L (P7H, P7L)

Port registers 7H and 7L (P7H and P7L) are 8-bit registers that control reading the pin level and writing the output level. These registers can be read or written in 8-bit or 1-bit units.

They cannot be accessed in 16-bit units.

After reset: Undefined	R/W	Address: FFFFF40FH, FFFFF40EH							
		7	6	5	4	3	2	1	0
P7H		P715	P714	P713	P712	P711	P710	P79	P78
		7	6	5	4	3	2	1	0
P7L		P77	P76	P75	P74	P73	P72	P71	P70
	PM7n	Control of output data (in output mode) (n = 0 to 15)							
	0	Output 0.							
	1	Output 1.							

Caution Do not read the P7H and P7L registers during A/D conversion.

(b) Port mode registers 7H, 7L (PM7H, PM7L)

These are 8-bit registers that specify an input or output mode. They can be read or written in 8-bit or 1-bit units.

These registers cannot be accessed in 16-bit units.

After reset: FFH	R/W	Address: FFFFF42FH, FFFFF42EH							
		7	6	5	4	3	2	1	0
PM7H		PM715	PM714	PM713	PM712	PM711	PM710	PM79	PM78
		7	6	5	4	3	2	1	0
PM7L		PM77	PM76	PM75	PM74	PM73	PM72	PM71	PM70
	PM7n	Control of I/O mode (n = 0 to 15)							
	0	Output mode							
	1	Input mode							

Caution To use the alternate function of P7n (ANIn), set PM7n to 1.

4.3.10 Port 8

Port 8 is a 2-bit port (P80, P81)^{Note} for which I/O settings can be controlled in 1-bit units.

Note In the μ PD70F3709 and 70F3710, the alternate functions of the P80 and P81 pins (RXDA3 and TXDA3) are not available.

The alternate function of the P80 pin in the μ PD70F3709 and 70F3710 is INTP14 only.

(1) Functions of port 8

- The input/output data of the port can be specified in 1-bit units.
Specified by port register 8 (P8)
- The input/output mode of the port can be specified in 1-bit units.
Specified by port mode register 8 (PM8)
- Port mode or control mode (alternate function) can be specified in 1-bit units.
Specified by port mode control register 8 (PMC8)
- An on-chip pull-up resistor can be connected in 1-bit units.
Specified by pull-up resistor option register 8 (PU8)

Port 8 functions alternately as the following pins.

Table 4-10. Alternate-Function Pins of Port 8

Pin Name	Pin No.	Alternate-Function Pin Name	I/O	Remark	Block Type
P80	59	RXDA3/INTP14	I/O	–	L-2 ^{Note 1}
P81	60	TXDA3			E-2 ^{Note 2}

Notes 1. Block type for μ PD70F3709, 70F3710: L-1

2. Block type for μ PD70F3709, 70F3710: C-1

Caution The P80 pin has hysteresis characteristics in the input mode of the alternate function, but does not have hysteresis characteristics in the port mode.

(2) Registers

(a) Port register 8 (P8)

Port register 8 (P8) is an 8-bit register that controls reading the pin level and writing the output level. This register can be read or written in 8-bit or 1-bit units.

After reset: Undefined		R/W	Address: FFFFF410H					
	7	6	5	4	3	2	1	0
P8	0	0	0	0	0	0	P81	P80
P8n	Control of output data (in output mode) (n = 0, 1)							
0	Output 0.							
1	Output 1.							

(b) Port mode register 8 (PM8)

This is an 8-bit register that specifies the input or output mode. It can be read or written in 8-bit or 1-bit units.

After reset: FFH		R/W	Address: FFFFF430H					
	7	6	5	4	3	2	1	0
PM8	1	1	1	1	1	1	PM81	PM80
PM8n	Control of I/O mode (n = 0, 1)							
0	Output mode							
1	Input mode							

(c) Port mode control register 8 (PMC8)

This is an 8-bit register that specifies the port mode or control mode. It can be read or written in 8-bit or 1-bit units.

After reset: 00H R/W Address: FFFFF450H

(i) μ PD70F3709, 70F3710

	7	6	5	4	3	2	1	0
PMC8	0	0	0	0	0	0	0	PMC80

(ii) μ PD70F3711, 70F3712

	7	6	5	4	3	2	1	0
PMC8	0	0	0	0	0	0	PMC81	PMC80

PMC81	Specification of operation mode of P81 pin
0	I/O port
1	TXDA3 output

PMC80	Specification of operation mode of P80 pin
0	I/O port
1	RXDA3/INTP14 input ^{Note}

Note The μ PD70F3709 and 70F3710 do not have RXDA3.
 The INTP14 pin of the μ PD70F3711 and 70F3712 functions alternately as the RXDA3 pin. To use this pin as the RXDA3 pin, invalidate the edge detection function of the alternate-function INTP14 pin (by clearing the INTF8.INTF80 bit to 0 and the INTR8.INTR80 bit to 0). To use this pin as the INTP14 pin, stop the reception operation of UARTA3 (by clearing the UA3CTL0.UA3RXE bit to 0).

(d) Pull-up resistor option register 8 (PU8)

This is an 8-bit register that specifies connection of an on-chip pull-up resistor. It can be read or written in 8-bit or 1-bit units.

After reset: 00H R/W Address: FFFFFC50H

	7	6	5	4	3	2	1	0
PU8	0	0	0	0	0	0	PU81	PU80

PU8n	Control of on-chip pull-up resistor connection (n = 0, 1)
0	Not connected
1	Connected

4.3.11 Port 9

Port 9 is a 16-bit port (P90 to P915) for which I/O settings can be controlled in 1-bit units.

(1) Functions of port 9

- The input/output data of the port can be specified in 1-bit units.
Specified by port register 9 (P9)
- The input/output mode of the port can be specified in 1-bit units.
Specified by port mode register 9 (PM9)
- Port mode or control mode (alternate function) can be specified in 1-bit units.
Specified by port mode control register 9 (PMC9)
- Control mode can be specified in 1-bit units.
Specified by port function control register 9 (PFC9) and port function control expansion register 9 (PFCE9)
- An on-chip pull-up resistor can be connected in 1-bit units.
Specified by pull-up resistor option register 9 (PU9)

Port 9 functions alternately as the following pins.

Table 4-11. Alternate-Function Pins of Port 9

Pin Name	Pin No.	Alternate-Function Pin Name	I/O	Remark	Block Type
P90	61	KR6/TXDA1	I/O	-	U-12
P91	62	KR7/RXDA1			U-7
P92	63	TIQ11/TOQ11			U-11
P93	64	TIQ12/TOQ12			U-11
P94	65	TIQ13/TOQ13			U-11
P95	66	TIQ10/TOQ10			U-11
P96	67	TIP21/TOP21			U-9
P97	68	SIB1/TIP20/TOP20			U-8
P98	69	SOB1			G-3
P99	70	$\overline{\text{SCKB1}}$			G-5
P910	71	SIB2			G-4
P911	72	SOB2			G-3
P912	73	$\overline{\text{SCKB2}}$			G-5
P913	74	INTP4/PCL			W-1
P914	75	INTP5			N-2
P915	76	INTP6			N-2

Caution The P90 to P97, P99, P910, and P912 to P915 pins have hysteresis characteristics in the input mode of the alternate function, but do not have hysteresis characteristics in the port mode.

(2) Registers

(a) Port register 9 (P9)

Port register 9 (P9) is a 16-bit register that controls reading the pin level and writing the output level. This register can be read or written in 16-bit units.

If the higher 8 bits of the P9 register are used as the P9H register, and the lower 8 bits as the P9L register, however, these registers can be read or written in 8-bit or 1-bit units.

After reset: Undefined		R/W	Address: FFFFF412H, FFFFF413H							
	15	14	13	12	11	10	9	8		
P9 (P9H ^{Note})	P915	P914	P913	P912	P911	P910	P99	P98		
	7	6	5	4	3	2	1	0		
(P9L)	P97	P96	P95	P94	P93	P92	P91	P90		
P9n	Control of output data (in output mode) (n = 0 to 15)									
0	Output 0.									
1	Output 1.									

Note To read or write bits 8 to 15 of the P9 register in 8-bit or 1-bit units, specify these bits as bits 0 to 7 of the P9H register.

(b) Port mode register 9 (PM9)

This is a 16-bit register that specifies the input or output mode. It can be read or written in 16-bit units.

If the higher 8 bits of the PM9 register are used as the PM9H register, and the lower 8 bits as the PM9L register, however, these registers can be read or written in 8-bit or 1-bit units.

After reset: FFFFH		R/W	Address: FFFFF432H, FFFFF433H							
	15	14	13	12	11	10	9	8		
PM9 (PM9H ^{Note})	PM915	PM914	PM913	PM912	PM911	PM910	PM99	PM98		
	7	6	5	4	3	2	1	0		
(PM9L)	PM97	PM96	PM95	PM94	PM93	PM92	PM91	PM90		
PM9n	Control of I/O mode (n = 0 to 15)									
0	Output mode									
1	Input mode									

Note To read or write bits 8 to 15 of the PM9 register in 8-bit or 1-bit units, specify these bits as bits 0 to 7 of the PM9H register.

(c) Port mode control register 9 (PMC9)

This is a 16-bit register that specifies the port mode or control mode. It can be read or written in 16-bit units.

If the higher 8 bits of the PMC9 register are used as the PMC9H register, and the lower 8 bits as the PMC9L register, however, these registers can be read or written in 8-bit or 1-bit units.

Caution If the control mode is specified by using the PMC9 register when the PFC9.PFC9n bit and the PFCE9.PFCE9n bit are the default values (0), the output becomes undefined. For this reason, first set the PFC9.PFC9n bit and the PFCE9.PFCE9n bit to 1, and then set the PMC9n bit to 1 to set the control mode.

(1/3)

After reset: 0000H		R/W		Address: FFFFF452H, FFFFF453H				
	15	14	13	12	11	10	9	8
PMC9 (PMC9H ^{Note})	PMC915	PMC914	PMC913	PMC912	PMC911	PMC910	PMC99	PMC98
	7	6	5	4	3	2	1	0
(PMC9L)	PMC97	PMC96	PMC95	PMC94	PMC93	PMC92	PMC91	PMC90
PMC915	Specification of operation mode of P915 pin							
0	I/O port							
1	INTP6 input							
PMC914	Specification of operation mode of P914 pin							
0	I/O port							
1	INTP5 input							
PMC913	Specification of operation mode of P913 pin							
0	I/O port							
1	INTP4/PCL I/O							
PMC912	Specification of operation mode of P912 pin							
0	I/O port							
1	SCKB ² I/O							
Note	To read or write bits 8 to 15 of the PMC9 register in 8-bit or 1-bit units, specify these bits as bits 0 to 7 of the PMC9H register.							

PMC911	Specification of operation mode of P911 pin
0	I/O port
1	SOB2 output

PMC910	Specification of operation mode of P910 pin
0	I/O port
1	SIB2 input

PMC99	Specification of operation mode of P99 pin
0	I/O port
1	$\overline{\text{SCKB1}}$ I/O

PMC98	Specification of operation mode of P98 pin
0	I/O port
1	SOB1 output

PMC97	Specification of operation mode of P97 pin
0	I/O port
1	SIB1/TIP20/TOP20 I/O

PMC96	Specification of operation mode of P96 pin
0	I/O port
1	TIP21/TOP21 I/O

PMC95	Specification of operation mode of P95 pin
0	I/O port
1	TIQ10/TOQ10 I/O

PMC94	Specification of operation mode of P94 pin
0	I/O port
1	TIQ13/TOQ13 I/O

PMC93	Specification of operation mode of P93 pin
0	I/O port
1	TIQ12/TOQ12 I/O

PMC92	Specification of operation mode of P92 pin
0	I/O port
1	TIQ11/TOQ11 I/O

PMC91	Specification of operation mode of P91 pin
0	I/O port
1	KR7/RXDA1 input

PMC90	Specification of operation mode of P90 pin
0	I/O port
1	KR6/TXDA1 I/O

(d) Port function control register 9 (PFC9)

This is a 16-bit register that specifies control mode 1, 2, 3, or 4. It can be read or written in 16-bit units. If the higher 8 bits of the PFC9 register are used as the PFC9H register, and the lower 8 bits as the PFC9L register, however, these registers can be read or written in 8-bit or 1-bit units.

After reset: 0000H R/W Address: FFFFF472H, FFFFF473H

	15	14	13	12	11	10	9	8
PFC9 (PFC9H ^{Note})	PFC915	PFC914	PFC913	PFC912	PFC911	PFC910	PFC99	PFC98
	7	6	5	4	3	2	1	0
(PFC9L)	PFC97	PFC96	PFC95	PFC94	PFC93	PFC92	PFC91	PFC90

Note To read or write bits 8 to 15 of the PFC9 register in 8-bit or 1-bit units, specify these bits as bits 0 to 7 of the PFC9H register.

Remark For how to specify a control mode, see 4.3.11 (2) (f) **Setting of control mode of P9 pin.**

(e) Port function control expansion register 9 (PFCE9)

This is a 16-bit register that specifies control mode 1, 2, 3, or 4. It can be read or written in 16-bit units.

If the higher 8 bits of the PFC9 register are used as the PFC9H register, and the lower 8 bits as the PFC9L register, however, these registers can be read or written in 8-bit or 1-bit units.

After reset: 0000H		R/W	Address: FFFFF712H, FFFFF713H					
	15	14	13	12	11	10	9	8
PFCE9 (PFCE9H ^{Note})	0	0	PFCE913	0	0	0	0	0
	7	6	5	4	3	2	1	0
(PFCE9L)	PFCE97	PFCE96	PFCE95	PFCE94	PFCE93	PFCE92	PFCE91	PFCE90

Note To read or write bits 8 to 15 of the PFCE9 register in 8-bit or 1-bit units, specify these bits as bits 0 to 7 of the PFCE9H register.

Remark For how to specify a control mode, see **4.3.11 (2) (f) Setting of control mode of P9 pin.**

(f) Setting of control mode of P9 pin

Caution If the control mode is specified by using the PFC9 register when the PFC9.PFC9n and PFCE9.PFCE9n bits are the default values (0), the output becomes undefined. For this reason, first set the PFC9.PFC9n and PFCE9.PFCE9n bits, and then set the PMC9n bit to 1 to set the control mode.

PFC915	Specification of control mode of P915 pin
0	Setting prohibited
1	INTP6 input

PFC914	Specification of control mode of P914 pin
0	Setting prohibited
1	INTP5 input

PFCE913	PFC913	Specification of control mode of P913 pin
0	0	Setting prohibited
0	1	INTP4 input
1	0	PCL output
1	1	Setting prohibited

PFC912	Specification of control mode of P912 pin
0	Setting prohibited
1	$\overline{\text{SCKB2}}$ I/O

PFC911	Specification of control mode of P911 pin
0	Setting prohibited
1	SOB2 output

PFC910	Specification of control mode of P910 pin
0	Setting prohibited
1	SIB2 input

PFC99	Specification of control mode of P99 pin
0	Setting prohibited
1	$\overline{\text{SCKB1}}$ I/O

PFC98	Specification of control mode of P98 pin
0	Setting prohibited
1	SOB1 output

PFCE97	PFC97	Specification of control mode of P97 pin
0	0	Setting prohibited
0	1	SIB1 input
1	0	TIP20 input
1	1	TOP20 output

PFCE96	PFC96	Specification of control mode of P96 pin
0	0	Setting prohibited
0	1	Setting prohibited
1	0	TIP21 input
1	1	TOP21 output

PFCE95	PFC95	Specification of control mode of P95 pin
0	0	Setting prohibited
0	1	TIQ10 input
1	0	TOQ10 output
1	1	Setting prohibited

PFCE94	PFC94	Specification of control mode of P94 pin
0	0	Setting prohibited
0	1	TIQ13 input
1	0	TOQ13 output
1	1	Setting prohibited

PFCE93	PFC93	Specification of control mode of P93 pin
0	0	Setting prohibited
0	1	TIQ12 input
1	0	TOQ12 output
1	1	Setting prohibited

PFCE92	PFC92	Specification of control mode of P92 pin
0	0	Setting prohibited
0	1	TIQ11 input
1	0	TOQ11 output
1	1	Setting prohibited

PFCE91	PFC91	Specification of control mode of P91 pin
0	0	Setting prohibited
0	1	KR7 input
1	0	KR7/RXDA1 input ^{Note}
1	1	Setting prohibited

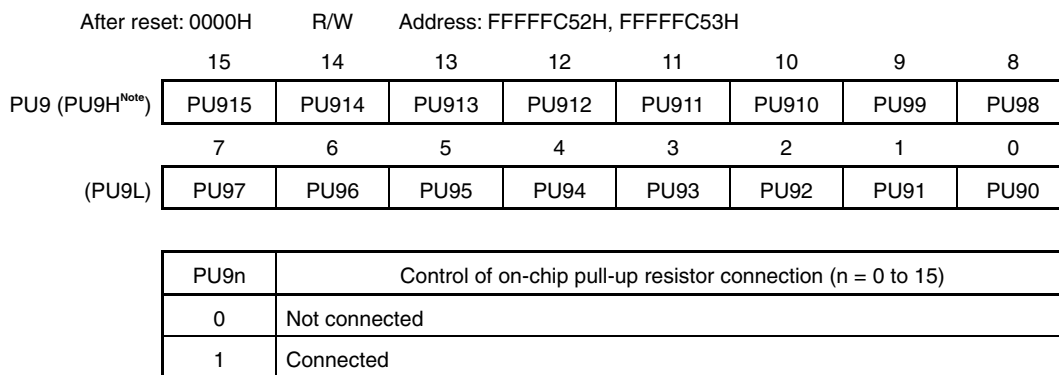
PFCE90	PFC90	Specification of control mode of P90 pin
0	0	Setting prohibited
0	1	KR6 input
1	0	TXDA1 output
1	1	Setting prohibited

Note The KR7 pin and RXDA1 pin are alternate-function pins.
 When using the pin as the RXDA1 pin, disable KR7 pin key return detection. (Clear the KRM7 bit of the KRM register to 0.) Also, when using the pin as the KR7 pin, it is recommended to set the PFC91 bit to 1 and clear the PFCE91 bit to 0.

(g) Pull-up resistor option register 9 (PU9)

This is a 16-bit register that specifies connection of an on-chip pull-up resistor. It can be read or written in 16-bit units.

If the higher 8 bits of the PU9 register are used as the PU9H register, and the lower 8 bits as the PU9L register, however, these registers can be read or written in 8-bit or 1-bit units.



Note To read/write bits 8 to 15 of the PU9 register in 8-bit or 1-bit units, specify these bits as bits 0 to 7 of the PU9H register.

4.3.12 Port 12

Port 12 is an 8-bit port (P120 to P127) for which I/O settings can be controlled in 1-bit units.

(1) Functions of port 12

- The input/output data of the port can be specified in 1-bit units.
Specified by port register 12 (P12)
- The input/output mode of the port can be specified in 1-bit units.
Specified by port mode register 12 (PM12)

Port 12 functions alternately as the following pins.

Table 4-12. Alternate-Function Pins of Port 12

Pin Name	Pin No.	Alternate-Function Pin Name	I/O	Remark	Block Type
P120	128	ANI16	I/O	-	A-1
P121	127	ANI17			A-1
P122	126	ANI18			A-1
P123	125	ANI19			A-1
P124	124	ANI20			A-1
P125	123	ANI21			A-1
P126	122	ANI22			A-1
P127	121	ANI23			A-1

(2) Registers

(a) Port register 12 (P12)

Port register 12 (P12) is an 8-bit register that controls reading the pin level and writing the output level. This register can be read or written in 8-bit or 1-bit units.

After reset: Undefined		R/W	Address: FFFFF418H					
	7	6	5	4	3	2	1	0
P12	P127	P126	P125	P124	P123	P122	P121	P120
P12n	Control of output data (in output mode) (n = 0 to 7)							
0	Output 0.							
1	Output 1.							

(b) Port mode register 12 (PM12)

This is an 8-bit register that specifies the input or output mode. It can be read or written in 8-bit or 1-bit units.

After reset: FFH		R/W	Address: FFFFF438H					
	7	6	5	4	3	2	1	0
PM12	PM127	PM126	PM125	PM124	PM123	PM122	PM121	PM120
PM12n	Control of I/O mode (n = 0 to 7)							
0	Output mode							
1	Input mode							

Caution To use the alternate function of P12n (ANIn), set PM12n to 1.

4.3.13 Port CD

Port CD is a 4-bit port (PCD0 to PCD3) for which I/O settings can be controlled in 1-bit units.

(1) Functions of port CD

- The input/output data of the port can be specified in 1-bit units.
Specified by port register CD (PCD)
- The input/output mode of the port can be specified in 1-bit units.
Specified by port mode register CD (PMCD)

Port CD functions alternately as the following pins.

Table 4-13. Alternate-Function Pins of Port CD

Pin Name	Pin No.	Alternate-Function Pin Name	I/O	Remark	Block Type
PCD0	77	–	I/O	–	B-1
PCD1	78	–			B-1
PCD2	79	–			B-1
PCD3	80	–			B-1

(2) Registers

(a) Port register CD (PCD)

Port register CD (PCD) is an 8-bit register that controls reading the pin level and writing the output level. This register can be read or written in 8-bit or 1-bit units.

After reset: Undefined		R/W	Address: FFFFF00EH					
	7	6	5	4	3	2	1	0
PCD	0	0	0	0	PCD3	PCD2	PCD1	PCD0
PCDn	Control of output data (in output mode) (n = 0 to 3)							
0	Output 0.							
1	Output 1.							

(b) Port mode register CD (PMCD)

This is an 8-bit register that specifies the input or output mode. It can be read or written in 8-bit or 1-bit units.

After reset: FFH		R/W	Address: FFFFF02EH					
	7	6	5	4	3	2	1	0
PMCD	1	1	1	1	PMCD3	PMCD2	PMCD1	PMCD0
PMCDn	Control of I/O mode (n = 0 to 3)							
0	Output mode							
1	Input mode							

4.3.14 Port CM

Port CM is a 6-bit port (PCM0 to PCM5) for which I/O settings can be controlled in 1-bit units.

(1) Functions of port CM

- The input/output data of the port can be specified in 1-bit units.
Specified by port register CM (PCM)
- The input/output mode of the port can be specified in 1-bit units.
Specified by port mode register CM (PMCM)
- Port mode or control mode (alternate function) can be specified in 1-bit units.
Specified by port mode control register CM (PMCCM)

Port CM functions alternately as the following pins.

Table 4-14. Alternate-Function Pins of Port CM

Pin Name	Pin No.	Alternate-Function Pin Name	I/O	Remark	Block Type
PCM0	85	$\overline{\text{WAIT}}$	I/O	-	D-1
PCM1	86	CLKOUT			D-2
PCM2	87	$\overline{\text{HLD\!AK}}$			D-2
PCM3	88	$\overline{\text{CLDRQ}}$			D-1
PCM4	89	-			B-1
PCM5	90	-			B-1

(2) Registers

(a) Port register CM (PCM)

Port register CM (PCM) is an 8-bit register that controls reading the pin level and writing the output level. This register can be read or written in 8-bit or 1-bit units.

After reset: Undefined		R/W	Address: FFFFF00CH					
	7	6	5	4	3	2	1	0
PCM	0	0	PCM5	PCM4	PCM3	PCM2	PCM1	PCM0
PCMn	Control of output data (in output mode) (n = 0 to 5)							
0	Output 0.							
1	Output 1.							

(b) Port mode register CM (PMCM)

This is an 8-bit register that specifies the input or output mode. It can be read or written in 8-bit or 1-bit units.

After reset: FFH		R/W	Address: FFFFF02CH					
	7	6	5	4	3	2	1	0
PMCM	1	1	PMCM5	PMCM4	PMCM3	PMCM2	PMCM1	PMCM0
PMCMn	Control of I/O mode (n = 0 to 5)							
0	Output mode							
1	Input mode							

(c) Port mode control register CM (PMCCM)

This is an 8-bit register that specifies the port mode or control mode. It can be read or written in 8-bit or 1-bit units.

After reset: 00H	R/W	Address: FFFFF04CH						
	7	6	5	4	3	2	1	0
PMCCM	0	0	0	0	PMCCM3	PMCCM2	PMCCM1	PMCCM0

PMCCM3	Specification of operation mode of PCM3 pin
0	I/O port
1	HLDRQ input

PMCCM2	Specification of operation mode of PCM2 pin
0	I/O port
1	HLDAK output

PMCCM1	Specification of operation mode of PCM1 pin
0	I/O port
1	CLKOUT output

PMCCM0	Specification of operation mode of PCM0 pin
0	I/O port
1	WAIT input

4.3.15 Port CS

Port CS is an 8-bit port (PCS0 to PCS7) for which I/O settings can be controlled in 1-bit units.

(1) Functions of port CS

- The input/output data of the port can be specified in 1-bit units.
Specified by port register CS (PCS)
- The input/output mode of the port can be specified in 1-bit units.
Specified by port mode register CS (PMCS)
- Port mode or control mode (alternate function) can be specified in 1-bit units.
Specified by port mode control register CS (PMCCS)

Port CS functions alternately as the following pins.

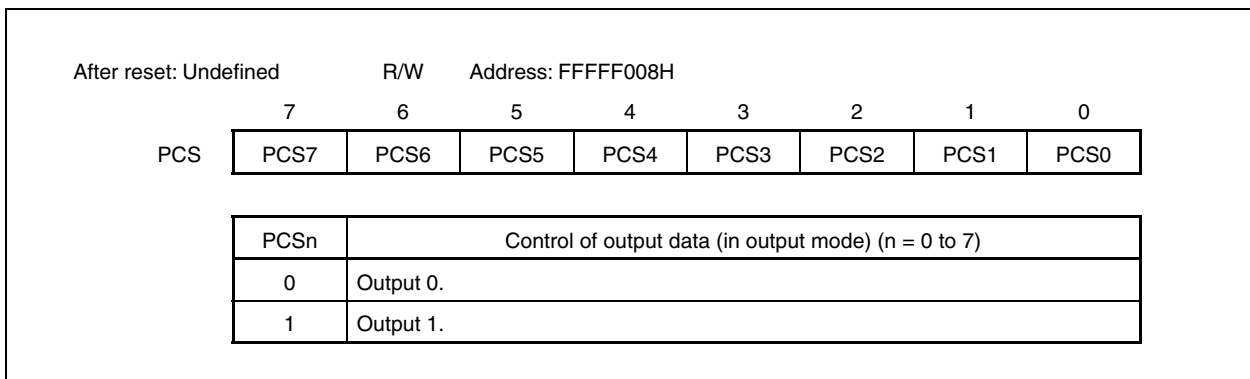
Table 4-15. Alternate-Function Pins of Port CS

Pin Name	Pin No.	Alternate-Function Pin Name	I/O	Remark	Block Type
PCS0	81	$\overline{CS0}$	I/O	-	D-2
PCS1	82	$\overline{CS1}$			D-2
PCS2	83	$\overline{CS2}$			D-2
PCS3	84	$\overline{CS3}$			D-2
PCS4	91	-			B-1
PCS5	92	-			B-1
PCS6	93	-			B-1
PCS7	94	-			B-1

(2) Registers

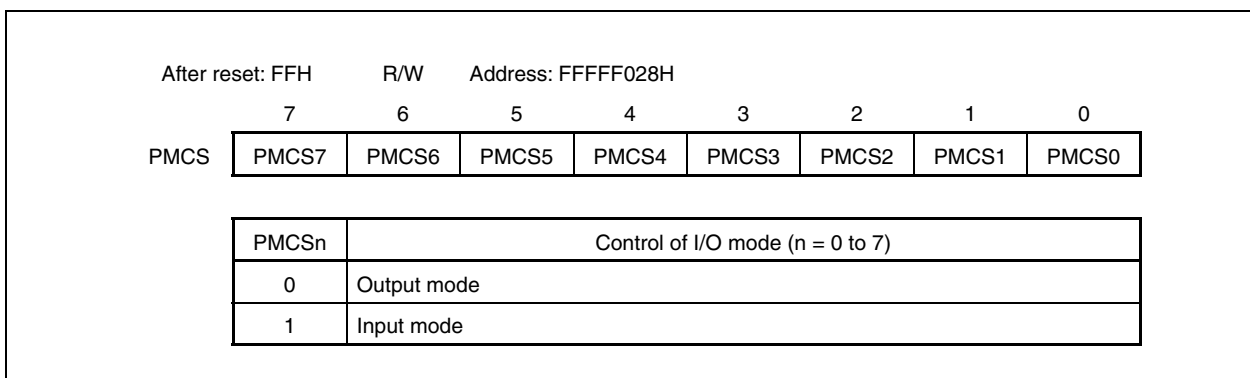
(a) Port register CS (PCS)

Port register CS (PCS) is an 8-bit register that controls reading the pin level and writing the output level. This register can be read or written in 8-bit or 1-bit units.



(b) Port mode register CS (PMCS)

This is an 8-bit register that specifies the input or output mode. It can be read or written in 8-bit or 1-bit units.



(c) Port mode control register CS (PMCCS)

This is an 8-bit register that specifies the port mode or control mode. It can be read or written in 8-bit or 1-bit units.

After reset: 00H		R/W	Address: FFFFF048H					
	7	6	5	4	3	2	1	0
PMCCS	0	0	0	0	PMCCS3	PMCCS2	PMCCS1	PMCCS0
PMCCS3	Specification of operation mode of PCS3 pin							
0	I/O port							
1	$\overline{\text{CS3}}$ output							
PMCCS2	Specification of operation mode of PCS2 pin							
0	I/O port							
1	$\overline{\text{CS2}}$ output							
PMCCS1	Specification of operation mode of PCS1 pin							
0	I/O port							
1	$\overline{\text{CS1}}$ output							
PMCCS0	Specification of operation mode of PCS0 pin							
0	I/O port							
1	$\overline{\text{CS0}}$ output							

4.3.16 Port CT

Port CT is an 8-bit port (PCT0 to PCT7) for which I/O settings can be controlled in 1-bit units.

(1) Functions of port CT

- The input/output data of the port can be specified in 1-bit units.
Specified by port register CT (PCT)
- The input/output mode of the port can be specified in 1-bit units.
Specified by port mode register CT (PMCT)
- Port mode or control mode (alternate function) can be specified in 1-bit units.
Specified by port mode control register CT (PMCCT)

Port CT functions alternately as the following pins.

Table 4-16. Alternate-Function Pins of Port CT

Pin Name	Pin No.	Alternate-Function Pin Name	I/O	Remark	Block Type
PCT0	95	$\overline{WR0}$	I/O	-	D-2
PCT1	96	$\overline{WR1}$			D-2
PCT2	97	-			B-1
PCT3	98	-			B-1
PCT4	99	\overline{RD}			D-2
PCT5	100	-			B-1
PCT6	101	ASTB			D-2
PCT7	102	-			B-1

(2) Registers

(a) Port register CT (PCT)

Port register CT (PCT) is an 8-bit register that controls reading the pin level and writing the output level. This register can be read or written in 8-bit or 1-bit units.

After reset: Undefined	R/W	Address: FFFFF00AH							
		7	6	5	4	3	2	1	0
PCT		PCT7	PCT6	PCT5	PCT4	PCT3	PCT2	PCT1	PCT0
	PMCTn	Control of output data (in output mode) (n = 0 to 7)							
	0	Output 0.							
	1	Output 1.							

(b) Port mode register CT (PMCT)

This is an 8-bit register that specifies the input or output mode. It can be read or written in 8-bit or 1-bit units.

After reset: FFH	R/W	Address: FFFFF02AH							
		7	6	5	4	3	2	1	0
PMCT		PMCT7	PMCT6	PMCT5	PMCT4	PMCT3	PMCT2	PMCT1	PMCT0
	PMCTn	Control of I/O mode (n = 0 to 7)							
	0	Output mode							
	1	Input mode							

(c) Port mode control register CT (PMCCT)

This is an 8-bit register that specifies the port mode or control mode. It can be read or written in 8-bit or 1-bit units.

After reset: 00H	R/W	Address: FFFFF04AH						
	7	6	5	4	3	2	1	0
PMCCT	0	PMCCT6	0	PMCCT4	0	0	PMCCT1	PMCCT0
	Specification of operation mode of PCT3 pin							
	0	I/O port						
	1	ASTB output						
	Specification of operation mode of PCT2 pin							
	0	I/O port						
	1	\overline{RD} output						
	Specification of operation mode of PCT1 pin							
	0	I/O port						
	1	$\overline{WR1}$ output						
	Specification of operation mode of PCT0 pin							
	0	I/O port						
	1	$\overline{WR0}$ output						

4.3.17 Port DL

Port DL is a 16-bit port (PDL0 to PDL15) for which I/O settings can be controlled in 1-bit units.

(1) Function of port DL

- The input/output data of the port can be specified in 1-bit units.
Specified by port register DL (PDL)
- The input/output mode of the port can be specified in 1-bit units.
Specified by port mode register DL (PMDL)
- Port mode or control mode (alternate function) can be specified in 1-bit units.
Specified by port mode control register DL (PMCDL)

Port DL functions alternately as the following pins.

Table 4-17. Alternate-Function Pins of Port DL

Pin Name	Pin No.	Alternate-Function Pin Name	I/O	Remark	
PDL0	105	AD0	I/O	-	D-3
PDL1	106	AD1			D-3
PDL2	107	AD2			D-3
PDL3	108	AD3			D-3
PDL4	109	AD4			D-3
PDL5	110	AD5/FLMD1 ^{Note}			D-3
PDL6	111	AD6			D-3
PDL7	112	AD7			D-3
PDL8	113	AD8			D-3
PDL9	114	AD9			D-3
PDL10	115	AD10			D-3
PDL11	116	AD11			D-3
PDL12	117	AD12			D-3
PDL13	118	AD13			D-3
PDL14	119	AD14			D-3
PDL15	120	AD15			D-3

Note Because the FLMD1 pin is used in the flash programming mode, it does not have to be manipulated by using a port control register. For details, see **CHAPTER 24 FLASH MEMORY**.

(2) Registers

(a) Port register DL (PDL)

Port register DL (PDL) is a 16-bit register that controls reading the pin level and writing the output level. This register can be read or written in 16-bit units.

If the higher 8 bits of the PDL register are used as the PDLH register, and the lower 8 bits as the PDLH register, however, these registers can be read or written in 8-bit or 1-bit units.

After reset: Undefined		R/W		Address: FFFFF004H, FFFFF005H							
		15	14	13	12	11	10	9	8		
PDL (PDLH ^{Note})		PDL15	PDL14	PDL13	PDL12	PDL11	PDL10	PDL9	PDL8		
		7	6	5	4	3	2	1	0		
(PDLH)		PDL7	PDL6	PDL5	PDL4	PDL3	PDL2	PDL1	PDL0		
	PDLn	Control of output data (in output mode) (n = 0 to 15)									
	0	Output 0.									
	1	Output 1.									

Note To read or write bits 8 to 15 of the PDL register in 8-bit or 1-bit units, specify these bits as bits 0 to 7 of the PDLH register.

(b) Port mode register DL (PMDL)

This is a 16-bit register that specifies the input or output mode. It can be read or written in 16-bit units.

If the higher 8 bits of the PMDL register are used as the PMDLH register, and the lower 8 bits as the PMDLH register, however, these registers can be read or written in 8-bit or 1-bit units.

After reset: FFFFH		R/W		Address: FFFFF024H, FFFFF025H							
		15	14	13	12	11	10	9	8		
PMDL (PMDLH ^{Note})		PMDL15	PMDL14	PMDL13	PMDL12	PMDL11	PMDL10	PMDL9	PMDL8		
		7	6	5	4	3	2	1	0		
(PMDLH)		PMDL7	PMDL6	PMDL5	PMDL4	PMDL3	PMDL2	PMDL1	PMDL0		
	PMDLn	Control of I/O mode (n = 0 to 15)									
	0	Output mode									
	1	Input mode									

Note To read or write bits 8 to 15 of the PMDL register in 8-bit or 1-bit units, specify these bits as bits 0 to 7 of the PMDLH register.

(c) Port mode control register DL (PMCDL)

This is a 16-bit register that specifies the port mode or control mode. It can be read or written in 16-bit units.

If the higher 8 bits of the PMCDL register are used as the PMCDLH register, and the lower 8 bits as the PMCDLL register, however, these registers can be read or written in 8-bit or 1-bit units.

After reset: 0000H	R/W	Address: FFFFF044H, FFFFF045H						
	15	14	13	12	11	10	9	8
PMCDL (PMCDLH ^{Note})	PMCDL15	PMCDL14	PMCDL13	PMCDL12	PMCDL11	PMCDL10	PMCDL9	PMCDL8
	7	6	5	4	3	2	1	0
(PMCDLL)	PMCDL7	PMCDL6	PMCDL5	PMCDL4	PMCDL3	PMCDL2	PMCDL1	PMCDL0
	PMCDLn Specification of operation mode of PDL15 pin (n = 0 to 15)							
	0 I/O port							
	1 ADn I/O (address/data bus I/O)							

Note To read or write bits 8 to 15 of the PMCDL register in 8-bit or 1-bit units, specify these bits as bits 0 to 7 of the PMCDLH register.

4.3.18 Port pins that function alternately as on-chip debug function

The pins shown in Table 4-24 function alternately as on-chip debug pins. After an external reset, these pins are initialized as on-chip debug pins ($\overline{\text{DRST}}$, DDI, DDO, DCK, and DMS).

Table 4-18. On-Chip Debug Pins

Pin Name	Alternate Function Pin
P05	$\overline{\text{INTP2/DRST}}$
P52	KR2/TIQ03/TOQ03/DDI
P53	KR3/TIQ00/TOQ00/DDO
P54	KR4/DCK
P55	KR5/DMS

To use these pins as port pins, not as on-chip debug pins, the following actions must be taken after an external reset.

- <1> Clear the OCDM0 bit of the OCDM register (special register) to 0.
- <2> Fix the P05/ $\overline{\text{INTP2/DRST}}$ pin to the low level until the above action has been taken.

When the on-chip debug function is not used, inputting a high level to the $\overline{\text{DRST}}$ pin before the above actions are taken may cause a malfunction (CPU deadlock). Exercise utmost care in handling the P05 pin.

When a high level is not input to the P05/ $\overline{\text{INTP2/DRST}}$ pin (when this pin is fixed to low level), it is not necessary to manipulate the OCDM.OCDM0 bit.

Because a pull-down resistor (30 k Ω TYP.) is connected to the buffer of the P05/ $\overline{\text{INTP2/DRST}}$ pin, the pin does not have to be fixed to the low level by an external source. The pull-down resistor is disconnected by clearing the OCDM0 bit to 0.

For details, see **CHAPTER 26 ON-CHIP DEBUG FUNCTION**.

4.3.19 Register settings to use port pins as alternate-function pins

Table 4-19. Register Settings to Use Port Pins as Alternate-Function Pins (1/7)

Pin Name	Alternate-Function Pin		PMn Register	PMCn Register	PFCm Register	PFCEm Register	Other Bits (Register)
	Name	I/O					
P00	TIP31	Input	Setting not required	PMC00 = 1	PFC00 = 0	–	
	TOP31	Output	Setting not required	PMC00 = 1	PFC00 = 1	–	
P01	TIP30	Input	Setting not required	PMC01 = 1	PFC01 = 0	–	
	TOP30	Output	Setting not required	PMC01 = 1	PFC01 = 1	–	
P02	NMI	Input	Setting not required	PMC02 = 1	–	–	
P03	INTP0	Input	Setting not required	PMC03 = 1	PFC03 = 0	–	INTx03 (INTx0)
	ADTRG	Output	Setting not required	PMC03 = 1	PFC03 = 1	–	
P04	INTP1	Input	Setting not required	PMC04 = 1	–	–	INTx04 (INTx0)
P05 ^{Note}	INTP2	Input	Setting not required	PMC05 = 1	–	–	INTx05 (INTx0)
	$\overline{\text{DRST}}$	Input	Setting not required	Setting not required	–	–	OCDM0 (OCDM) = 1
P06	INTP3	Input	Setting not required	PMC06 = 1	–	–	INTx06 (INTx0)
P10	INTP9	Input	Setting not required	PMC10 = 1	–	–	INTx10 (INTx1)
P11	INTP10	Input	Setting not required	PMC11 = 1	–	–	INTx11 (INTx1)

Note After an external reset, the P05/INTP2/ $\overline{\text{DRST}}$ pin is initialized as an on-chip debug pin ($\overline{\text{DRST}}$). To not use the P05/INTP2/ $\overline{\text{DRST}}$ pin as an on-chip debug pin, see **CHAPTER 26 ON-CHIP DEBUG FUNCTION**.

Remarks 1. The port register (Pn) does not have to be set when the alternate function is used.
2. INTxn = INTFn, INTRn

Table 4-19. Register Settings to Use Port Pins as Alternate-Function Pins (2/7)

Pin Name	Alternate-Function Pin		PMn Register	PMCn Register	PFCm Register	PFCEm Register	Other Bits (Register)
	Name	I/O					
P30	TXDA0	Output	Setting not required	PMC30 = 1	–	–	
P31	RXDA0	Input	Setting not required	PMC31 = 1	–	–	Note 1
	INTP7	Input	Setting not required	PMC31 = 1	–	–	Note 1, INTx31 (INTx3)
P32	ASCKA0	Input	Setting not required	PMC32 = 1	PFC32 = 0	PFCE32 = 0	
	TOP01	Output	Setting not required	PMC32 = 1	PFC32 = 1	PFCE32 = 0	
	TIP00	Input	Setting not required	PMC32 = 1	PFC32 = 0	PFCE32 = 1	
	TOP00	Output	Setting not required	PMC32 = 1	PFC32 = 1	PFCE32 = 1	
P33	TIP01	Input	Setting not required	PMC33 = 1	PFC33 = 0	–	
	TOP01	Output	Setting not required	PMC33 = 1	PFC33 = 1	–	
P34	TIP10	Input	Setting not required	PMC34 = 1	PFC34 = 0	–	
	TOP10	Output	Setting not required	PMC34 = 1	PFC34 = 1	–	
P35	TIP11	Input	Setting not required	PMC35 = 1	PFC35 = 0	–	
	TOP11	Output	Setting not required	PMC35 = 1	PFC35 = 1	–	
P38	TXDA2	Output	Setting not required	PMC38 = 1	–	–	
P39	RXDA2	Input	Setting not required	PMC39 = 1	–	–	Note 2
	INTP8	Input	Setting not required	PMC39 = 1	–	–	Note 2, INTx39 (INTx3)
P40	SIB0	Input	Setting not required	PMC40 = 1	–	–	
P41	SOB0	Output	Setting not required	PMC41 = 1	–	–	
P42	SCKB0	I/O	Setting not required	PMC42 = 1	–	–	

- Notes**
1. The INTP7 pin functions alternately as the RXDA0 pin. To use this pin as the RXDA0 pin, invalidate the edge detection function of the alternate-function INTP7 pin (by clearing the INTF3.INTF31 bit to 0 and the INTR3.INTR31 bit to 0). To use this pin as the INTP7 pin, stop the reception operation of UARTA0 (by clearing the UA0CTL0.UA0RXE bit to 0).
 2. The INTP8 pin functions alternately as the RXDA2 pin. To use this pin as the RXDA2 pin, invalidate the edge detection function of the alternate-function INTP8 pin (by clearing the INTF3.INTF39 bit to 0 and the INTR3.INTR39 bit to 0). To use this pin as the INTP8 pin, stop the reception operation of UARTA2 (by clearing the UA2CTL0.UA2RXE bit to 0).

- Remarks**
1. The port register (Pn) does not have to be set when the alternate function is used.
 2. INTxn = INTFn, INTRn

Table 4-19. Register Settings to Use Port Pins as Alternate-Function Pins (3/7)

Pin Name	Alternate-Function Pin		PMn Register	PMCn Register	PFCm Register	PFCEm Register	Other Bits (Register)
	Name	I/O					
P50	KR0	Input	Setting not required	PMC50 = 1	PFC50 = 1	PFCE50 = 0	Note 1
	TIQ01	Input	Setting not required	PMC50 = 1	PFC50 = 1	PFCE50 = 0	Note 1
	TOQ01	Output	Setting not required	PMC50 = 1	PFC50 = 0	PFCE50 = 1	
P51	KR1	Input	Setting not required	PMC51 = 1	PFC51 = 1	PFCE54 = 0	Note 1
	TIQ02	Input	Setting not required	PMC51 = 1	PFC51 = 1	PFCE51 = 0	Note 1
	TOQ02	Output	Setting not required	PMC51 = 1	PFC51 = 0	PFCE51 = 1	
P52	KR2	Input	Setting not required	PMC52 = 1	PFC52 = 1	PFCE52 = 0	Note 1
	TIQ03	Input	Setting not required	PMC52 = 1	PFC52 = 1	PFCE52 = 0	Note 1
	TOQ03	Output	Setting not required	PMC52 = 1	PFC52 = 0	PFCE52 = 1	
	DDI ^{Note 2}	Input	Setting not required	Setting not required	Setting not required	Setting not required	OCDM0 (OCDM) = 1
P53	KR3	Input	Setting not required	PMC53 = 1	PFC53 = 1	PFCE53 = 0	Note 1
	TIQ00	Input	Setting not required	PMC53 = 1	PFC53 = 1	PFCE53 = 0	Note 1
	TOQ00	Output	Setting not required	PMC53 = 1	PFC53 = 0	PFCE53 = 1	
	DDO ^{Note 2}	Output	Setting not required	Setting not required	Setting not required	Setting not required	OCDM0 (OCDM) = 1
P54	KR4	Input	Setting not required	PMC54 = 1	PFC54 = 1	–	
	DCK ^{Note 2}	Output	Setting not required	Setting not required	Setting not required	–	OCDM0 (OCDM) = 1
P55	KR5	Input	Setting not required	PMC55 = 1	PFC55 = 1	–	
	DMS ^{Note 2}	Output	Setting not required	Setting not required	Setting not required	–	OCDM0 (OCDM) = 1

Notes 1. The KR7 pin functions alternately as the TIQ0m pin. To use this pin as the TIQ0m pin, invalidate the key return detection function of the alternate-function KRn pin (by clearing the KRMn bit of the KRM register to 0). To use this pin as the KRn pin, invalidate the edge detection function of the alternate-function TIQ0m pin (n = 0 to 3, m = 0 to 3).

Pin Name	When Used as TIQ0m Pin	When Used as KRn Pin
KR0/TIQ01	KRM0 bit of KRM register = 0	TQ0TIG2, TQ0TIG3 bits of TQ0IOC1 register = 0
KR1/TIQ02	KRM1 bit of KRM register = 0	TQ0TIG4, TQ0TIG5 bits of TQ0IOC1 register = 0
KR2/TIQ03	KRM2 bit of KRM register = 0	TQ0TIG6, TQ0TIG7 bits of TQ0IOC1 register = 0
KR3/TIQ00	KRM3 bit of KRM register = 0	TQ0TIG0, TQ0TIG1 bits of TQ0IOC1 register = 0 TQ0EES0, TQ0EES1 bits of TQ0IOC2 register = 0 TQ0ETS0, TQ0ETS1 bits of TQ0IOC2 register = 0

2. The DDI, DDO, DCK, and DMS pins are on-chip debug pins. To not use these pins as on-chip debug pins after an external reset, see **CHAPTER 26 ON-CHIP DEBUG FUNCTION**.

Caution If the control mode is specified by using the PMC5 register when the PFC5.PFC5n bit and the PFCE5.PFCE5n bit are the default values (0), the output becomes undefined. For this reason, first set the PFC5.PFC5n bit and the PFCE5.PFCE5n bit, and then set the PMC5n bit to 1 to set the control mode.

Remarks 1. The port register (Pn) does not have to be set when the alternate function is used.
2. INTxn = INTFn, INTRn

Table 4-19. Register Settings to Use Port Pins as Alternate-Function Pins (4/7)

Pin Name	Alternate-Function Pin		PMn Register	PMCn Register	PFCm Register	PFCEm Register	Other Bits (Register)
	Name	I/O					
P60	INTP11	Input	Setting not required	PMC60 = 1	PFC60 = 1	–	INTx60 (INTx6L)
P61	INTP12	Input	Setting not required	PMC61 = 1	PFC61 = 1	–	INTx61 (INTx6L)
P62	INTP13	Input	Setting not required	PMC62 = 1	PFC62 = 1	–	INTx62 (INTx6L)
P610	TIQ20	Input	Setting not required	PMC610 = 1	PFC610 = 0	–	
	TOQ20	Output	Setting not required	PMC610 = 1	PFC610 = 1	–	
P611	TIQ21	Input	Setting not required	PMC611 = 1	PFC611 = 0	–	
	TOQ21	Output	Setting not required	PMC611 = 1	PFC611 = 1	–	
P612	TIQ22	Input	Setting not required	PMC612 = 1	PFC612 = 0	–	
	TOQ22	Output	Setting not required	PMC612 = 1	PFC612 = 1	–	
P613	TIQ23	Input	Setting not required	PMC613 = 1	PFC613 = 0	–	
	TOQ23	Output	Setting not required	PMC613 = 1	PFC613 = 1	–	
P70	ANI0	Input	PM70 = 1 ^{Note}	–	–	–	
P71	ANI1	Input	PM71 = 1 ^{Note}	–	–	–	
P72	ANI2	Input	PM72 = 1 ^{Note}	–	–	–	
P73	ANI3	Input	PM73 = 1 ^{Note}	–	–	–	
P74	ANI4	Input	PM74 = 1 ^{Note}	–	–	–	
P75	ANI5	Input	PM75 = 1 ^{Note}	–	–	–	
P76	ANI6	Input	PM76 = 1 ^{Note}	–	–	–	
P77	ANI7	Input	PM77 = 1 ^{Note}	–	–	–	
P78	ANI8	Input	PM78 = 1 ^{Note}	–	–	–	
P79	ANI9	Input	PM79 = 1 ^{Note}	–	–	–	
P710	ANI10	Input	PM710 = 1 ^{Note}	–	–	–	
P711	ANI11	Input	PM711 = 1 ^{Note}	–	–	–	
P712	ANI12	Input	PM712 = 1 ^{Note}	–	–	–	
P713	ANI13	Input	PM713 = 1 ^{Note}	–	–	–	
P714	ANI14	Input	PM714 = 1 ^{Note}	–	–	–	
P715	ANI15	Input	PM715 = 1 ^{Note}	–	–	–	

Note Set PM7n to 1 to use the alternate function of P7n (ANIn).

Caution If the control mode is specified by using the PMC6 register when the PFC6.PFC6n bit (n = 0 to 8) is the default value (0), the output becomes undefined.

For this reason, first set the PFC6.PFC6n bit and then set the PMC6n bit to 1 to set the control mode.

Remarks

1. The port register (Pn) does not have to be set when the alternate function is used.
2. INTxn = INTFn, INTRn

Table 4-19. Register Settings to Use Port Pin as Alternate-Function Pins (5/7)

Pin Name	Alternate-Function Pin		PMn Register	PMCn Register	PFCm Register	PFCEm Register	Other Bits (Register)
	Name	I/O					
P80	RXDA3	Input	Setting not required	PMC80 = 1	–	–	Note 2
	INTP14	Input	Setting not required	PMC80 = 1	–	–	Note 2, INTx80 (INTx8)
P81	TXDA3	Output	Setting not required	PMC81 = 1	–	–	
P90	KR6	Input	Setting not required	PMC90 = 1	PFC90 = 1	PFCE90 = 0	
	TXDA1	Output	Setting not required	PMC90 = 1	PFC90 = 0	PFCE90 = 1	
P91	KR7 ^{Note 1}	Input	Setting not required	PMC91 = 1	PFC91 = 1	PFCE91 = 0	
					PFC91 = 0	PFCE91 = 1	
P92	RXDA1	Input	Setting not required	PMC91 = 1	PFC91 = 0	PFCE91 = 1	
	TIQ11	Input	Setting not required	PMC92 = 1	PFC92 = 1	PFCE92 = 0	
P93	TOQ11	Output	Setting not required	PMC92 = 1	PFC92 = 0	PFCE92 = 1	
	TIQ12	Input	Setting not required	PMC93 = 1	PFC93 = 1	PFCE93 = 0	
P94	TOQ12	Output	Setting not required	PMC93 = 1	PFC93 = 0	PFCE93 = 1	
	TIQ13	Input	Setting not required	PMC94 = 1	PFC94 = 1	PFCE94 = 0	
P95	TOQ13	Output	Setting not required	PMC94 = 1	PFC94 = 0	PFCE94 = 1	
	TIQ10	Input	Setting not required	PMC95 = 1	PFC95 = 1	PFCE95 = 0	
P96	TOQ10	Output	Setting not required	PMC95 = 1	PFC95 = 0	PFCE95 = 1	
	TIP21	Input	Setting not required	PMC96 = 1	PFC96 = 0	PFCE96 = 1	
P97	TOP21	Output	Setting not required	PMC96 = 1	PFC96 = 1	PFCE96 = 1	
	SIB1	Input	Setting not required	PMC97 = 1	PFC97 = 1	PFCE97 = 0	
P98	TIP20	Input	Setting not required	PMC97 = 1	PFC97 = 0	PFCE97 = 1	
	TOP20	Output	Setting not required	PMC97 = 1	PFC97 = 1	PFCE97 = 1	
P99	SOB1	Output	Setting not required	PMC98 = 1	PFC98 = 1	–	
P99	SCKB1	I/O	Setting not required	PMC99 = 1	PFC99 = 1	–	
P910	SIB2	Input	Setting not required	PMC910 = 1	PFC910 = 1	–	
P911	SOB2	Output	Setting not required	PMC911 = 1	PFC911 = 1	–	
P912	SCKB2	I/O	Setting not required	PMC912 = 1	PFC912 = 1	–	
P913	INTP4	Input	Setting not required	PMC913 = 1	PFC913 = 1	PFCE913 = 0	INTx913 (INTx9H)
	PCL	Output	Setting not required	PMC913 = 1	PFC913 = 0	PFCE913 = 1	
P914	INTP5	Input	Setting not required	PMC914 = 1	PFC914 = 1	–	INTx914 (INTx9H)
P915	INTP6	Input	Setting not required	PMC915 = 1	PFC915 = 1	–	INTx915 (INTx9H)

Notes 1. The KR7 pin and RXDA1 pin are alternate-function pins.

When using the pin as the RXDA1 pin, disable KR7 pin key return detection. (Clear the KRM.KRM7 bit to 0.)

Also, when using the pin as the KR7 pin, it is recommended to set the PFC91 bit to 1 and clear the PFCE91 bit to 0.

- 2.** The INTP14 pin functions alternately as the RXDA3 pin. To use this pin as the RXDA3 pin, invalidate the edge detection function of the alternate-function INTP14 pin (by clearing the INTF8.INTF80 bit to 0 and the INTR8.INTR80 bit to 0). To use this pin as the INTP14 pin, stop the reception operation of UARTA3 (by clearing the UA3CTL0.UA3RXE bit to 0).

Caution If the control mode is specified by using the PMC9 register when the PFC9.PFC9n bit and the PFCE9.PFCE9n bit are the default values (0), the output becomes undefined.

For this reason, first set the PFC9.PFC9n bit and the PFCE9.PFCE9n bit, and then set the PMC9n bit to 1 to set the control mode.

Remarks 1. The port register (Pn) does not have to be set when the alternate function is used.

- 2.** INTxn = INTFn, INTRn

Table 4-19. Register Settings to Use Port Pins as Alternate-Function Pins (6/7)

Pin Name	Alternate-Function Pin		PMn Register	PMCn Register	PFCm Register	PFCEm Register	Other Bits (Register)
	Name	I/O					
P120	ANI16	Input	PM120 = 1 ^{Note}	–	–	–	
P121	ANI17	Input	PM121 = 1 ^{Note}	–	–	–	
P122	ANI18	Input	PM122 = 1 ^{Note}	–	–	–	
P123	ANI19	Input	PM123 = 1 ^{Note}	–	–	–	
P124	ANI20	Input	PM124 = 1 ^{Note}	–	–	–	
P125	ANI21	Input	PM125 = 1 ^{Note}	–	–	–	
P126	ANI22	Input	PM126 = 1 ^{Note}	–	–	–	
P127	ANI23	Input	PM127 = 1 ^{Note}	–	–	–	
PCM0	$\overline{\text{WAIT}}$	Input	Setting not required	PMCCM0 = 1	–	–	
PCM1	CLKOUT	Output	Setting not required	PMCCM1 = 1	–	–	
PCM2	$\overline{\text{HLDAK}}$	Output	Setting not required	PMCCM2 = 1	–	–	
PCM3	$\overline{\text{HLDRQ}}$	Input	Setting not required	PMCCM3 = 1	–	–	
PCS0	$\overline{\text{CS0}}$	Output	Setting not required	PMCCS0 = 1	–	–	
PCS1	$\overline{\text{CS1}}$	Output	Setting not required	PMCCS1 = 1	–	–	
PCS2	$\overline{\text{CS2}}$	Output	Setting not required	PMCCS2 = 1	–	–	
PCS3	$\overline{\text{CS3}}$	Output	Setting not required	PMCCS3 = 1	–	–	
PCT0	$\overline{\text{WR0}}$	Output	Setting not required	PMCCT0 = 1	–	–	
PCT1	$\overline{\text{WR1}}$	Output	Setting not required	PMCCT1 = 1	–	–	
PCT4	$\overline{\text{RD}}$	Output	Setting not required	PMCCT4 = 1	–	–	
PCT6	ASTB	Output	Setting not required	PMCCT6 = 1	–	–	

Note Set PM12n to 1 to use the alternate function of P12n (ANIn).

Remark The port register (Pn) does not have to be set when the alternate function is used.

Table 4-19. Register Settings to Use Port Pins as Alternate-Function Pins (7/7)

Pin Name	Alternate-Function Pin		PMn Register	PMCn Register	PFCm Register	PFCEm Register	Other Bits (Register)
	Name	I/O					
PDL0	AD0	I/O	Setting not required	PMCDL0 = 1	–	–	
PDL1	AD1	I/O	Setting not required	PMCDL1 = 1	–	–	
PDL2	AD2	I/O	Setting not required	PMCDL2 = 1	–	–	
PDL3	AD3	I/O	Setting not required	PMCDL3 = 1	–	–	
PDL4	AD4	I/O	Setting not required	PMCDL4 = 1	–	–	
PDL5	AD5	I/O	Setting not required	PMCDL5 = 1	–	–	
	FLMD1	Input	Setting not required	Setting not required	–	–	Note
PDL6	AD6	I/O	Setting not required	PMCDL6 = 1	–	–	
PDL7	AD7	I/O	Setting not required	PMCDL7 = 1	–	–	
PDL8	AD8	I/O	Setting not required	PMCDL8 = 1	–	–	
PDL9	AD9	I/O	Setting not required	PMCDL9 = 1	–	–	
PDL10	AD10	I/O	Setting not required	PMCDL10 = 1	–	–	
PDL11	AD11	I/O	Setting not required	PMCDL11 = 1	–	–	
PDL12	AD12	I/O	Setting not required	PMCDL12 = 1	–	–	
PDL13	AD13	I/O	Setting not required	PMCDL13 = 1	–	–	
PDL14	AD14	I/O	Setting not required	PMCDL14 = 1	–	–	
PDL15	AD15	I/O	Setting not required	PMCDL15 = 1	–	–	

Note The FLMD1 pin does not have to be manipulated by using a port control register because it is used in the flash programming mode. For details, see **CHAPTER 24 FLASH MEMORY**.

Remark The port register (Pn) does not have to be set when the alternate function is used.

4.4 Block Diagrams of Port

Figure 4-2. Block Diagram of Type A-1

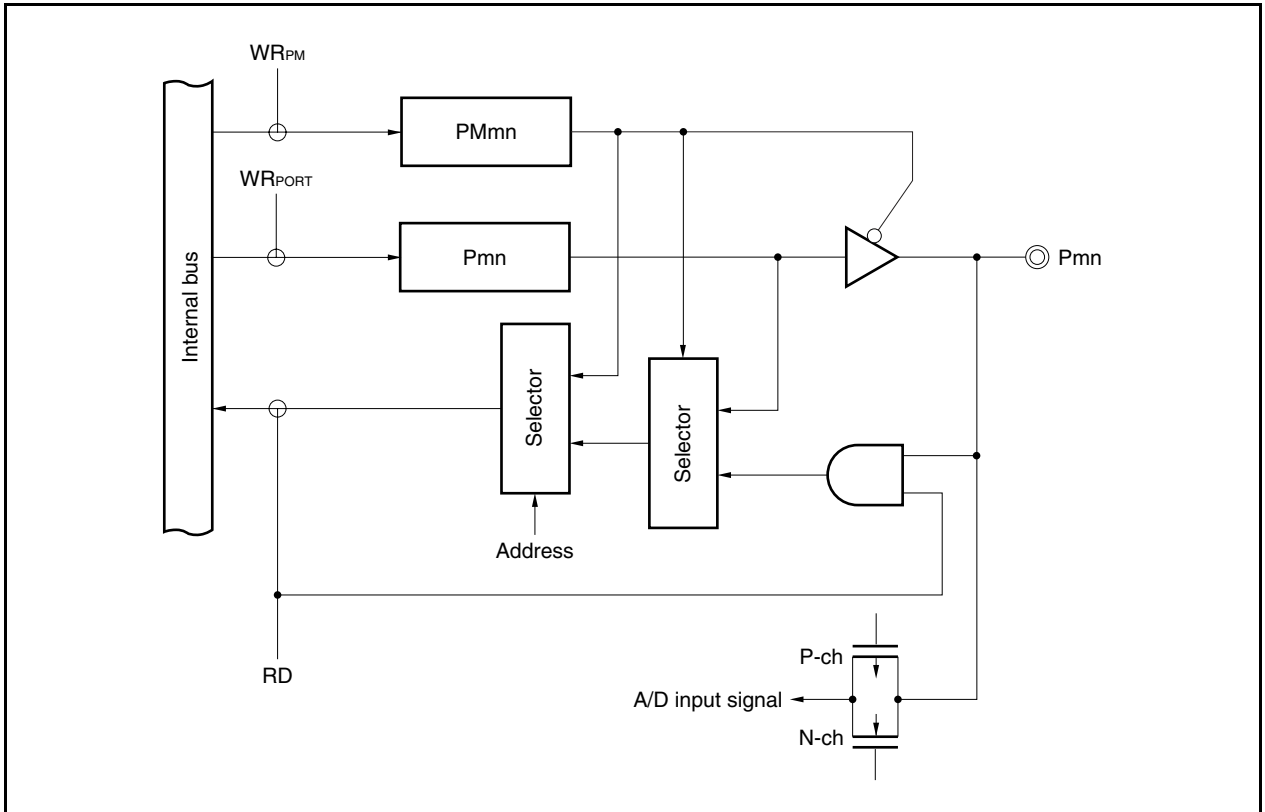


Figure 4-3. Block Diagram of Type B-1

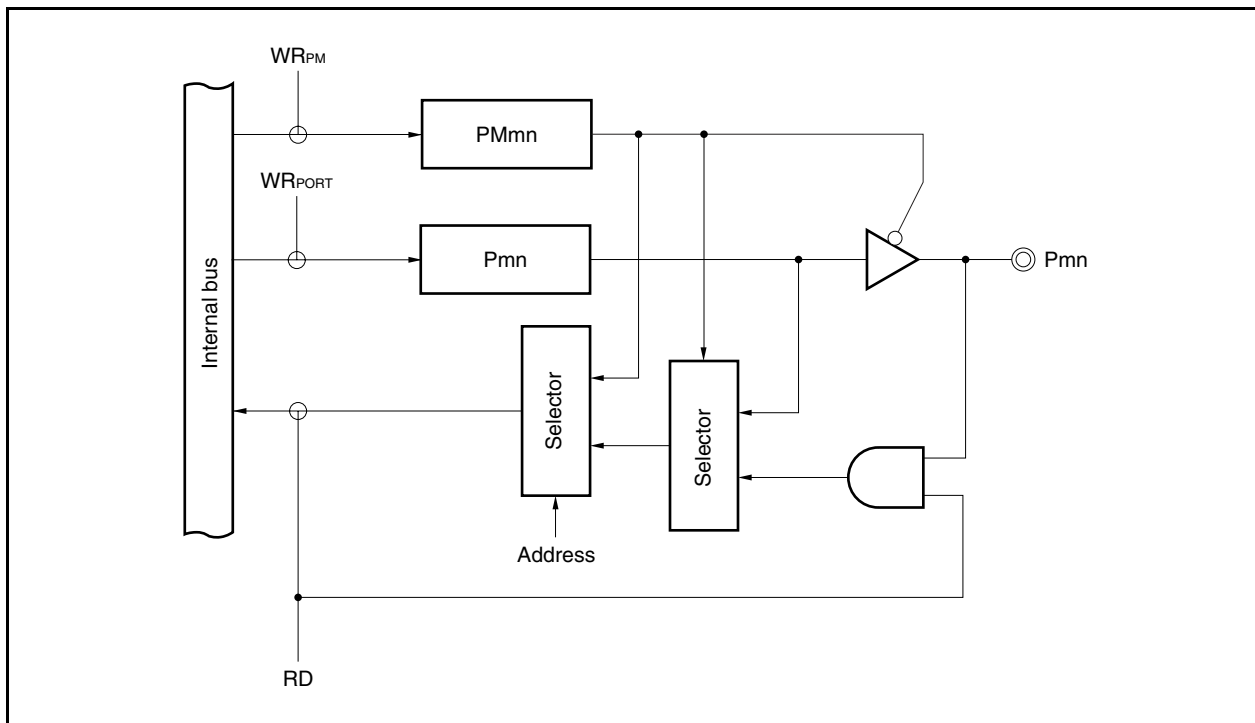


Figure 4-4. Block Diagram of Type C-1

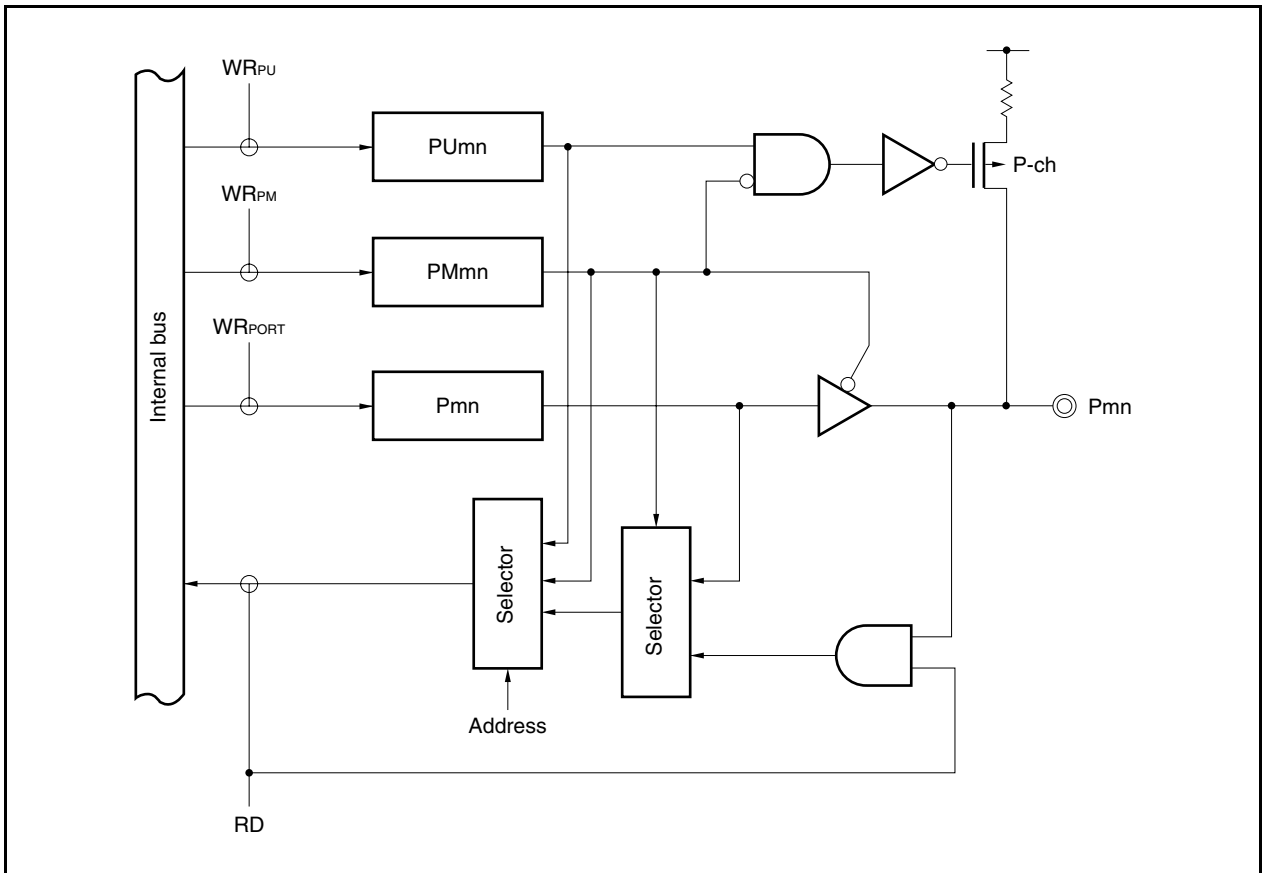


Figure 4-5. Block Diagram of Type D-1

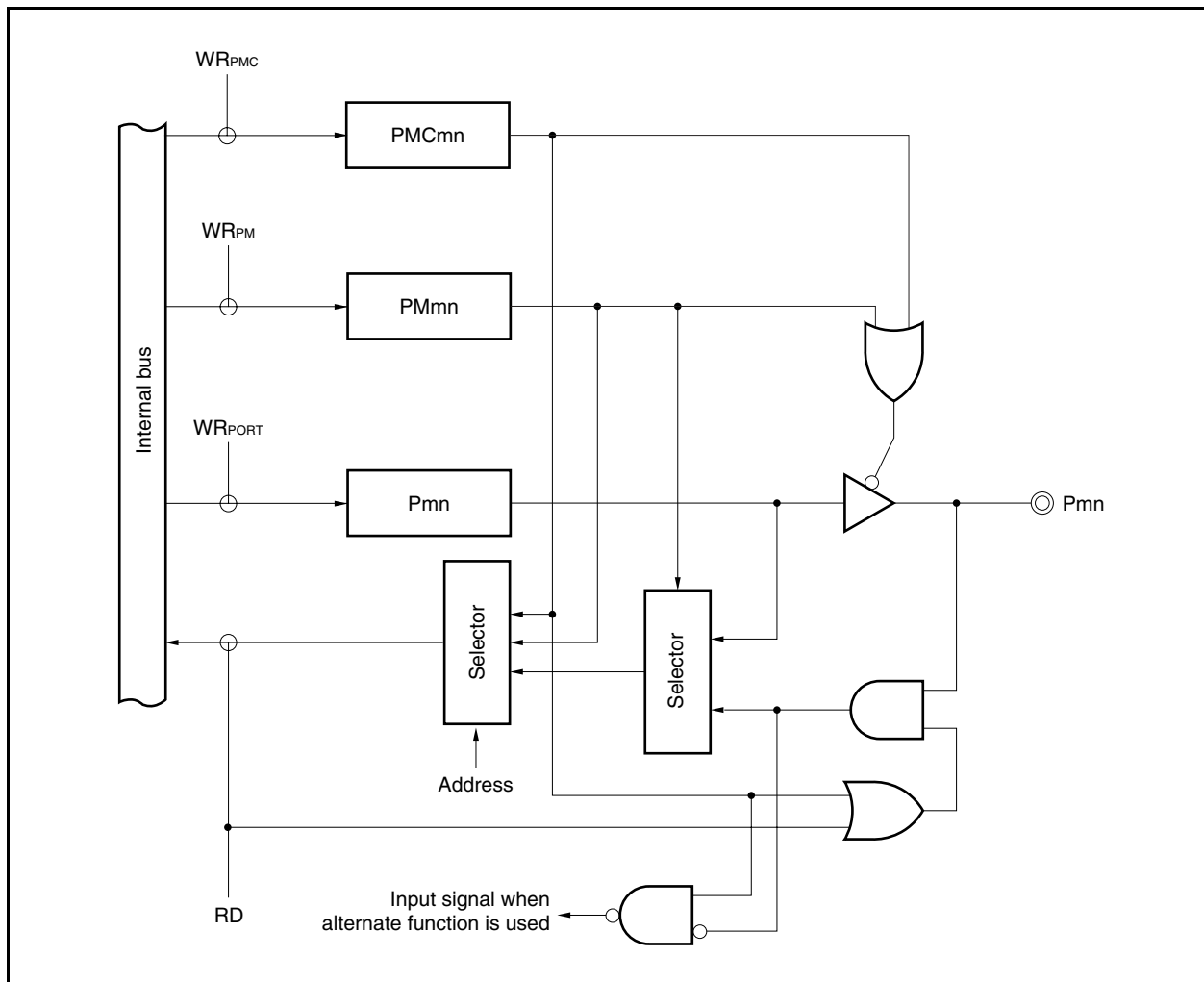


Figure 4-6. Block Diagram of Type D-2

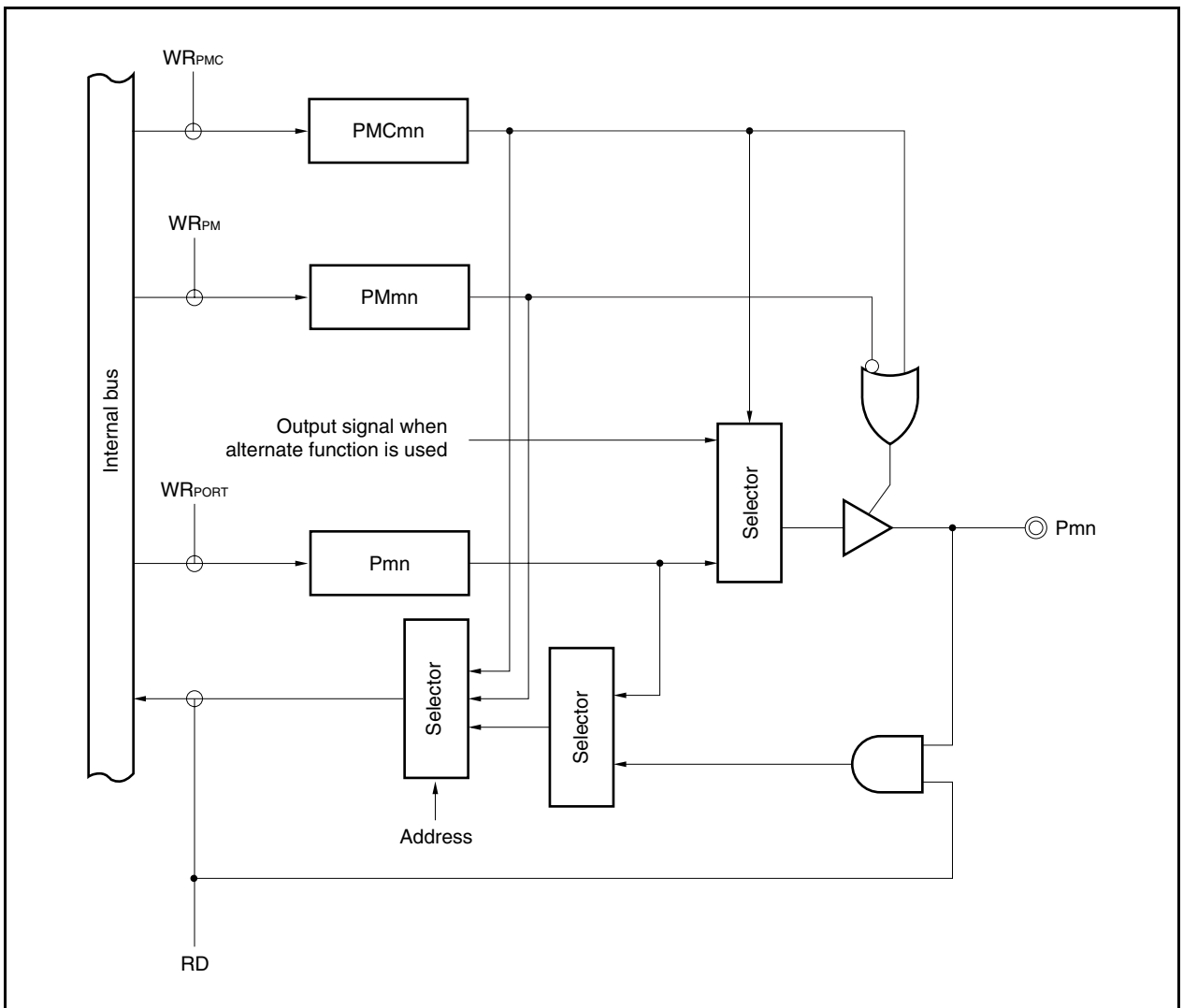


Figure 4-7. Block Diagram of Type D-3

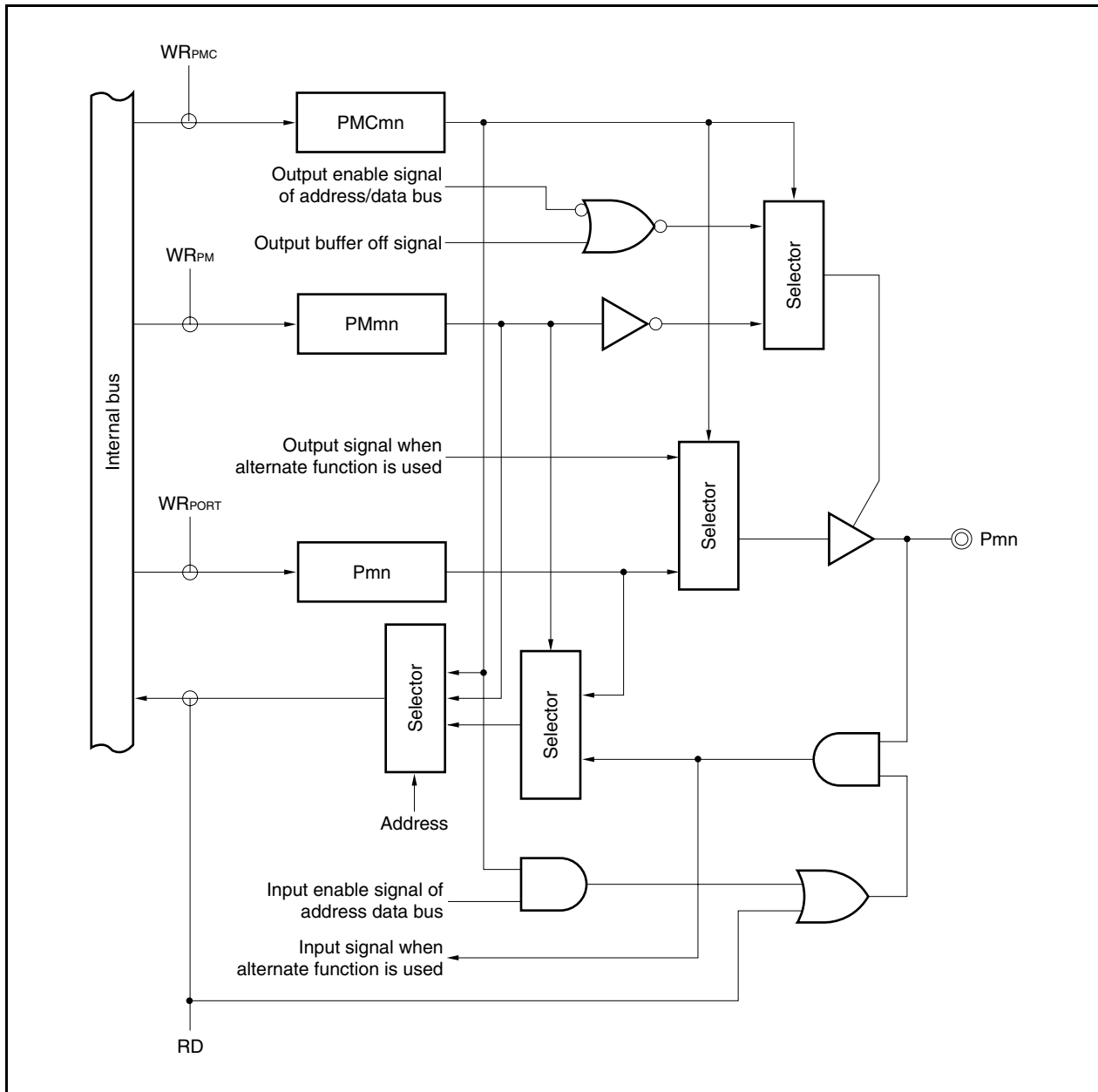


Figure 4-8. Block Diagram of Type E-1

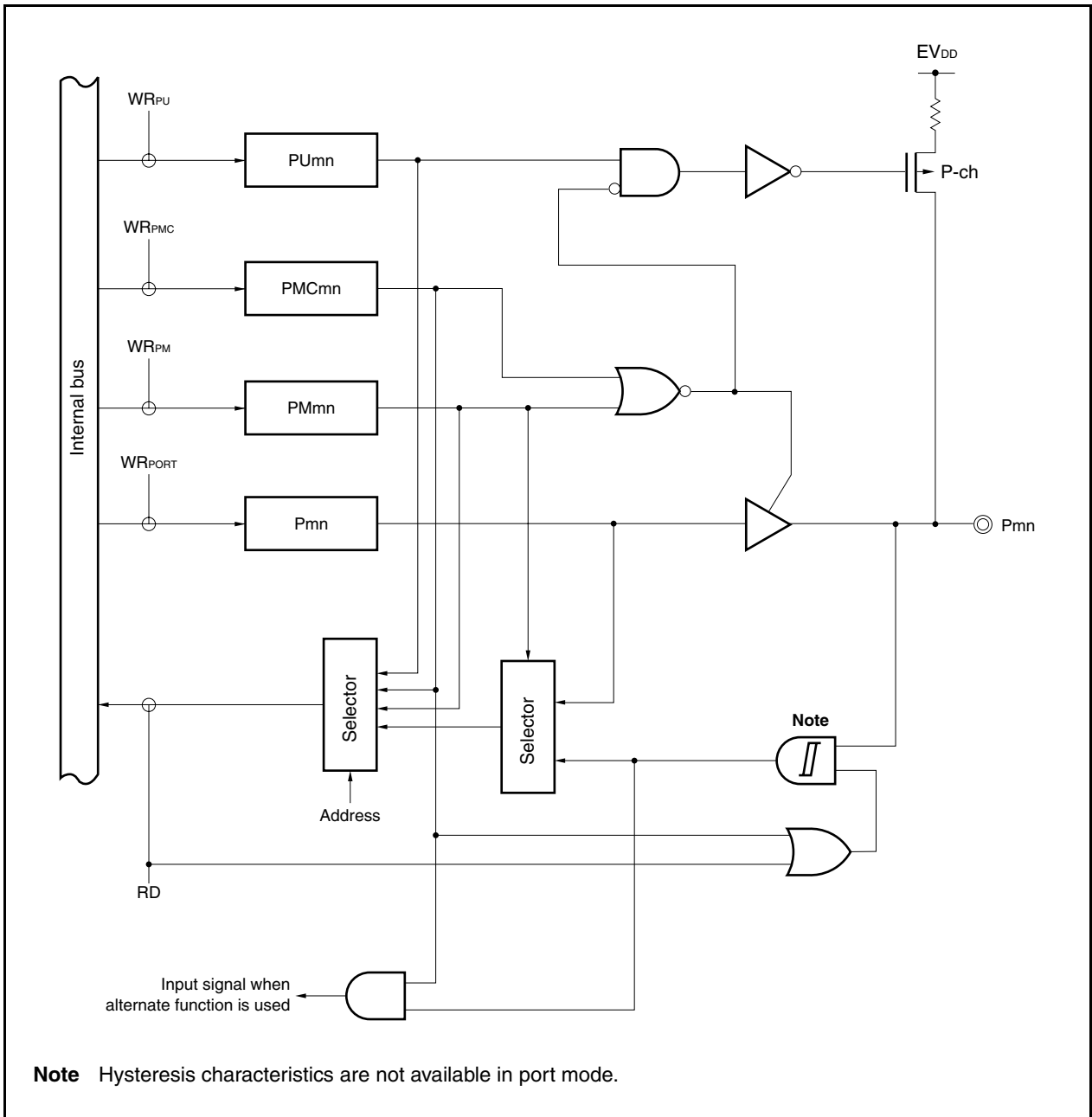


Figure 4-9. Block Diagram of Type E-2

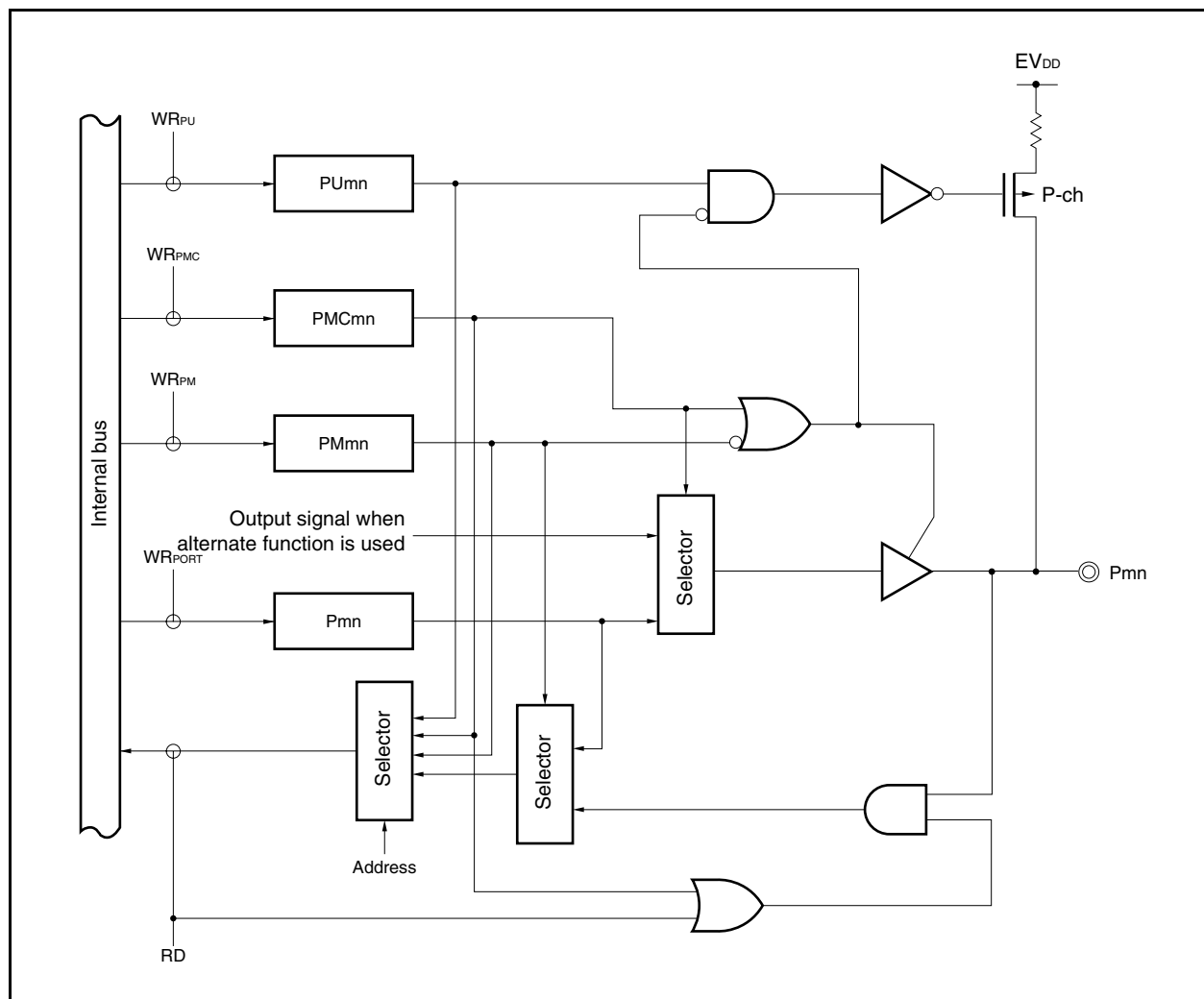


Figure 4-10. Block Diagram of Type E-3

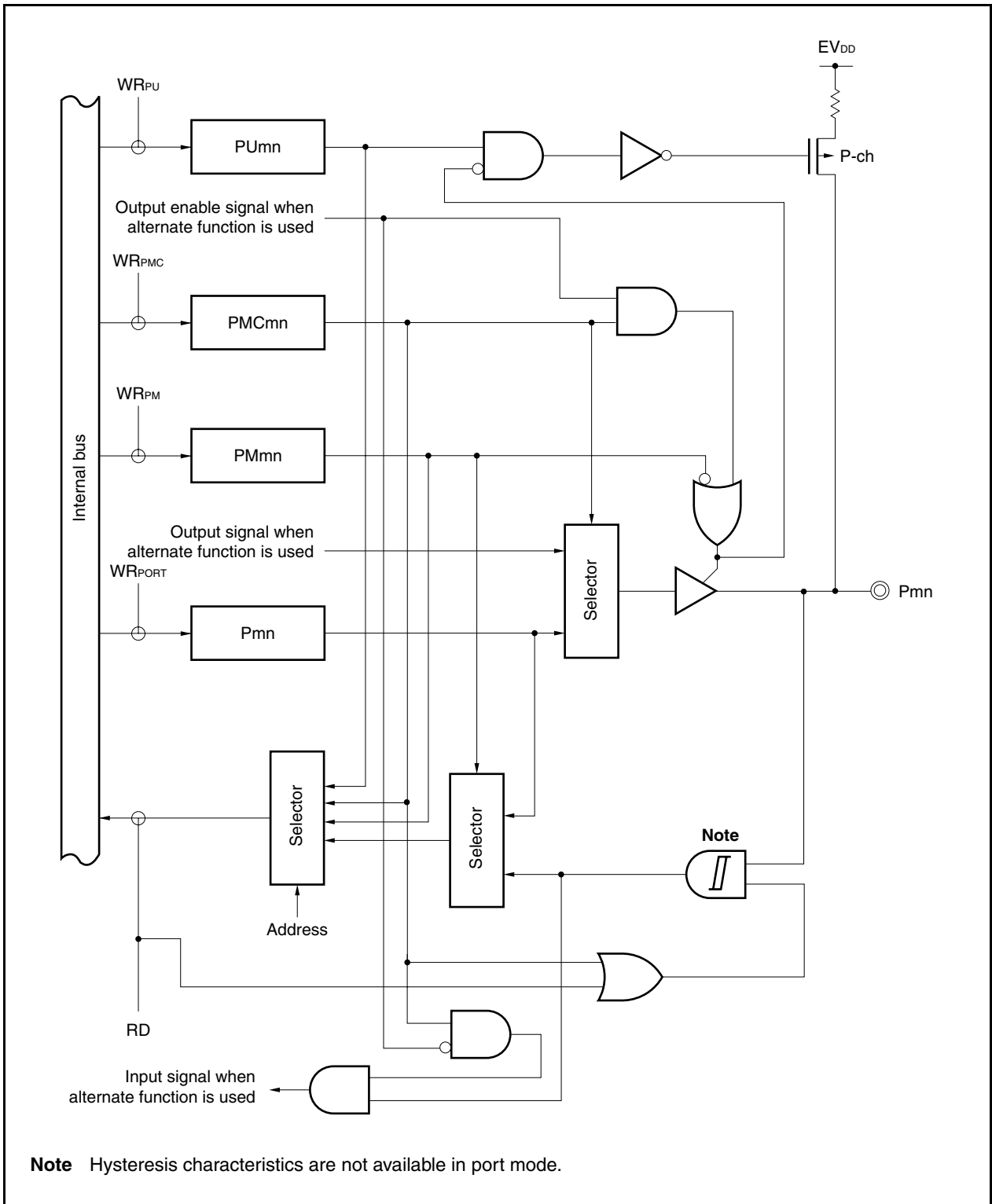


Figure 4-11. Block Diagram of Type G-1

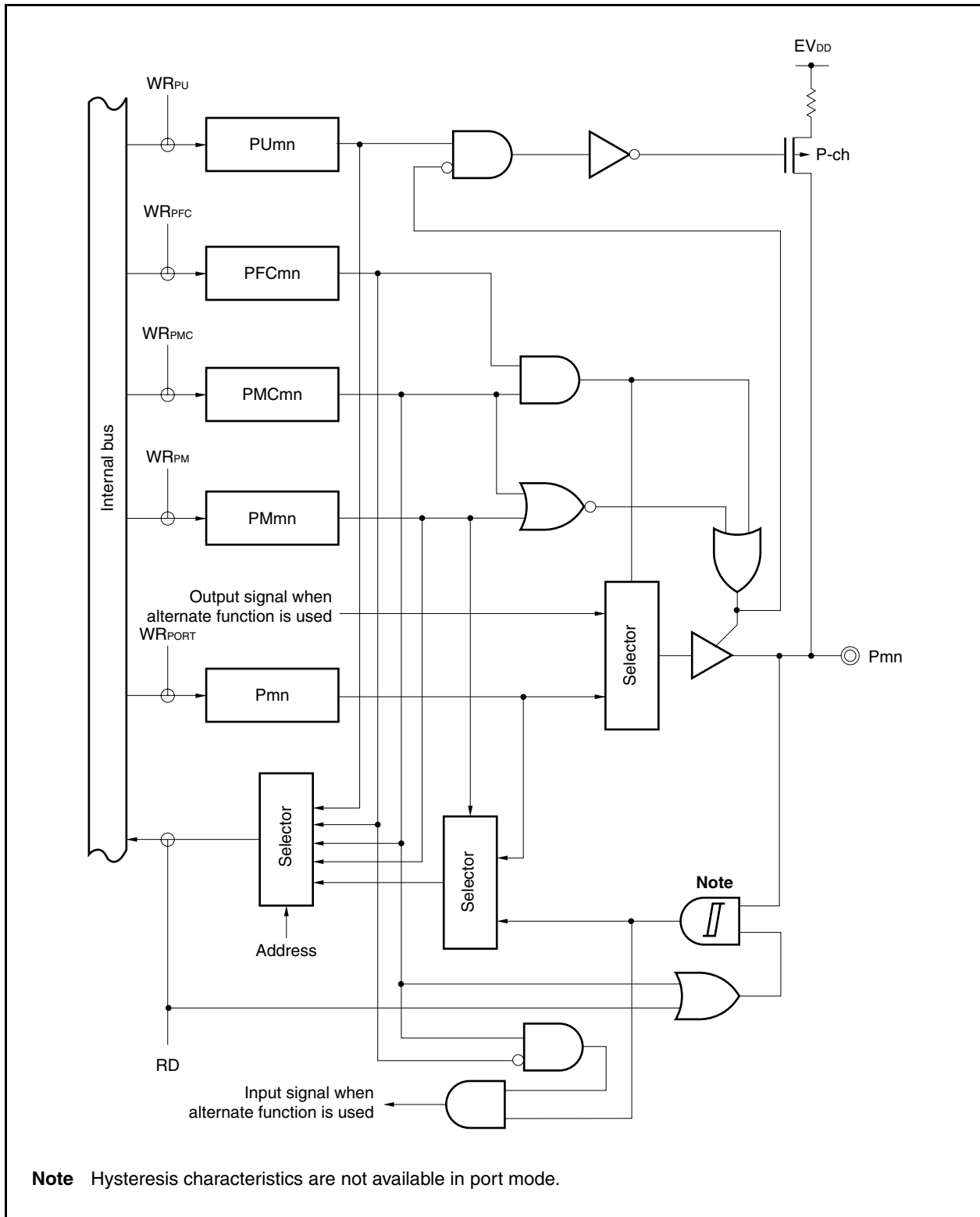


Figure 4-12. Block Diagram of Type G-2

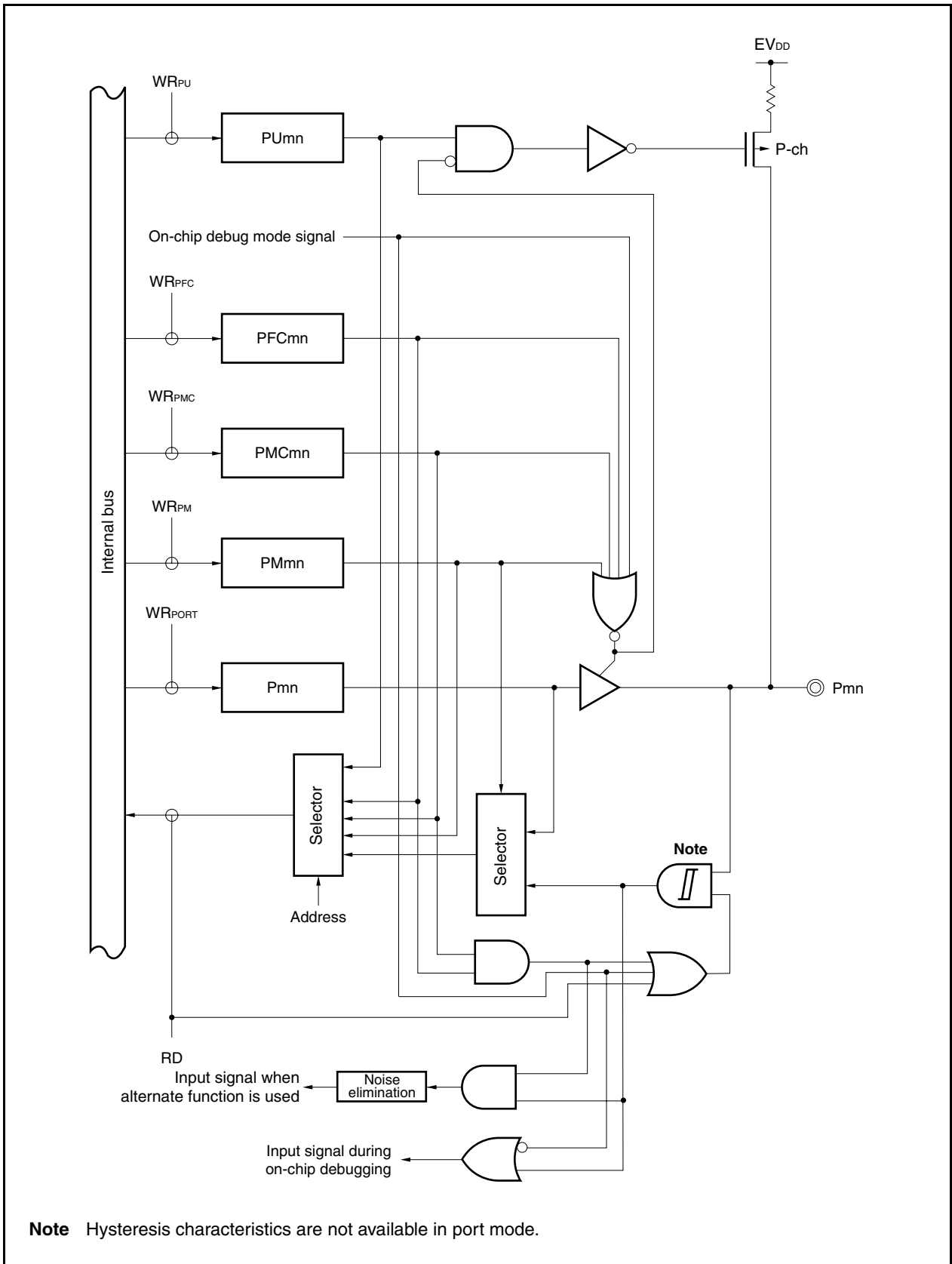


Figure 4-13. Block Diagram of Type G-3

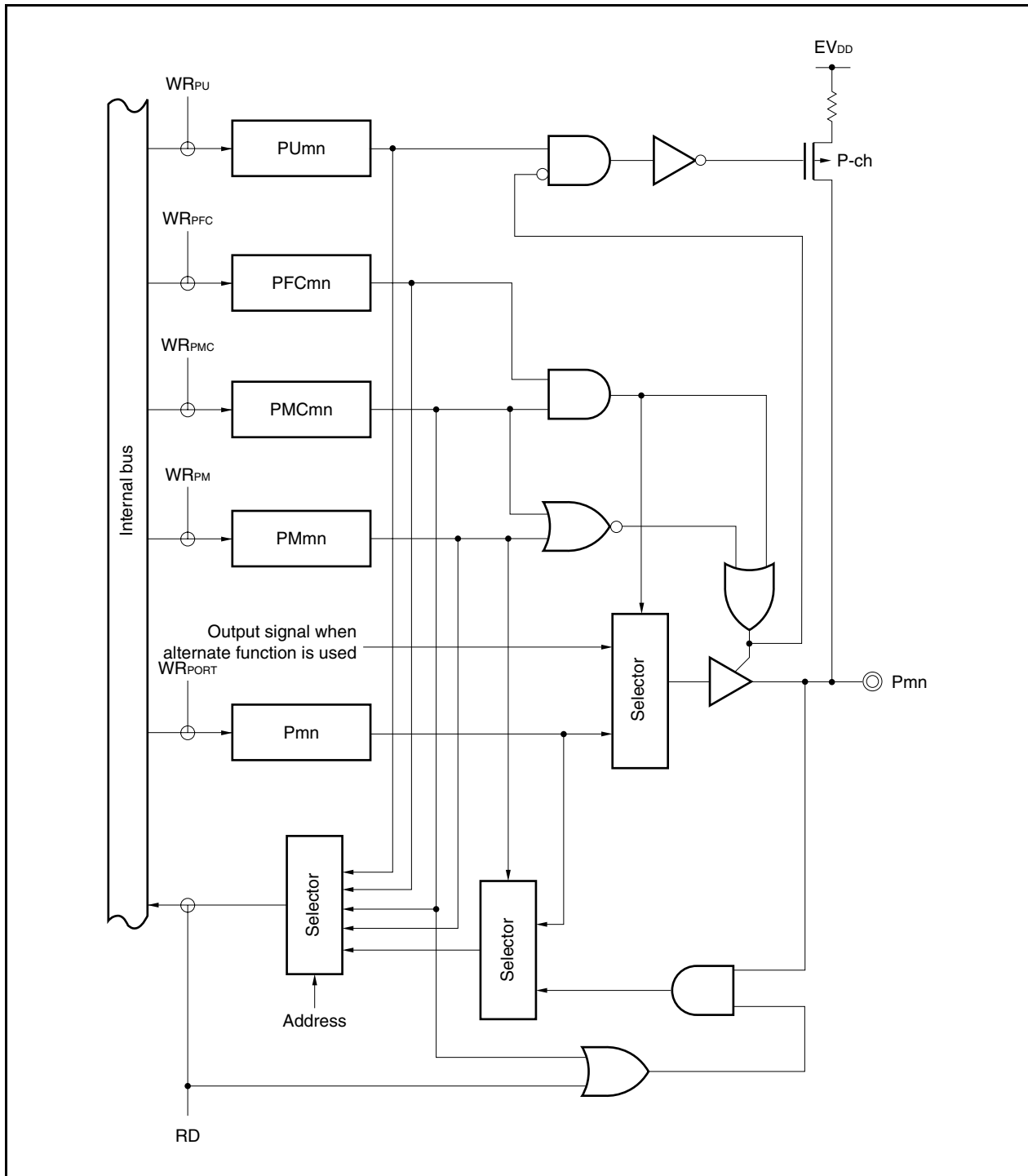


Figure 4-14. Block Diagram of Type G-4

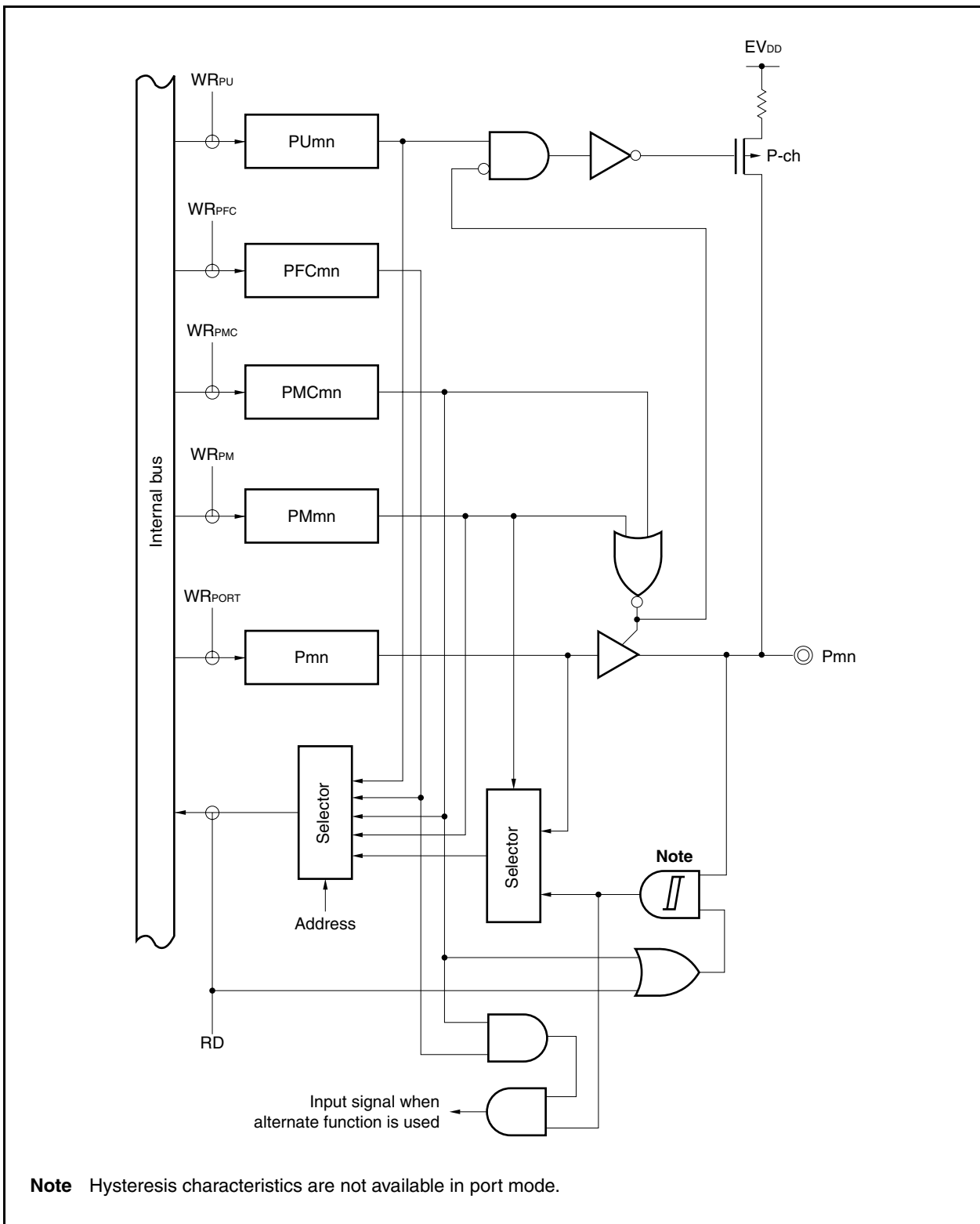
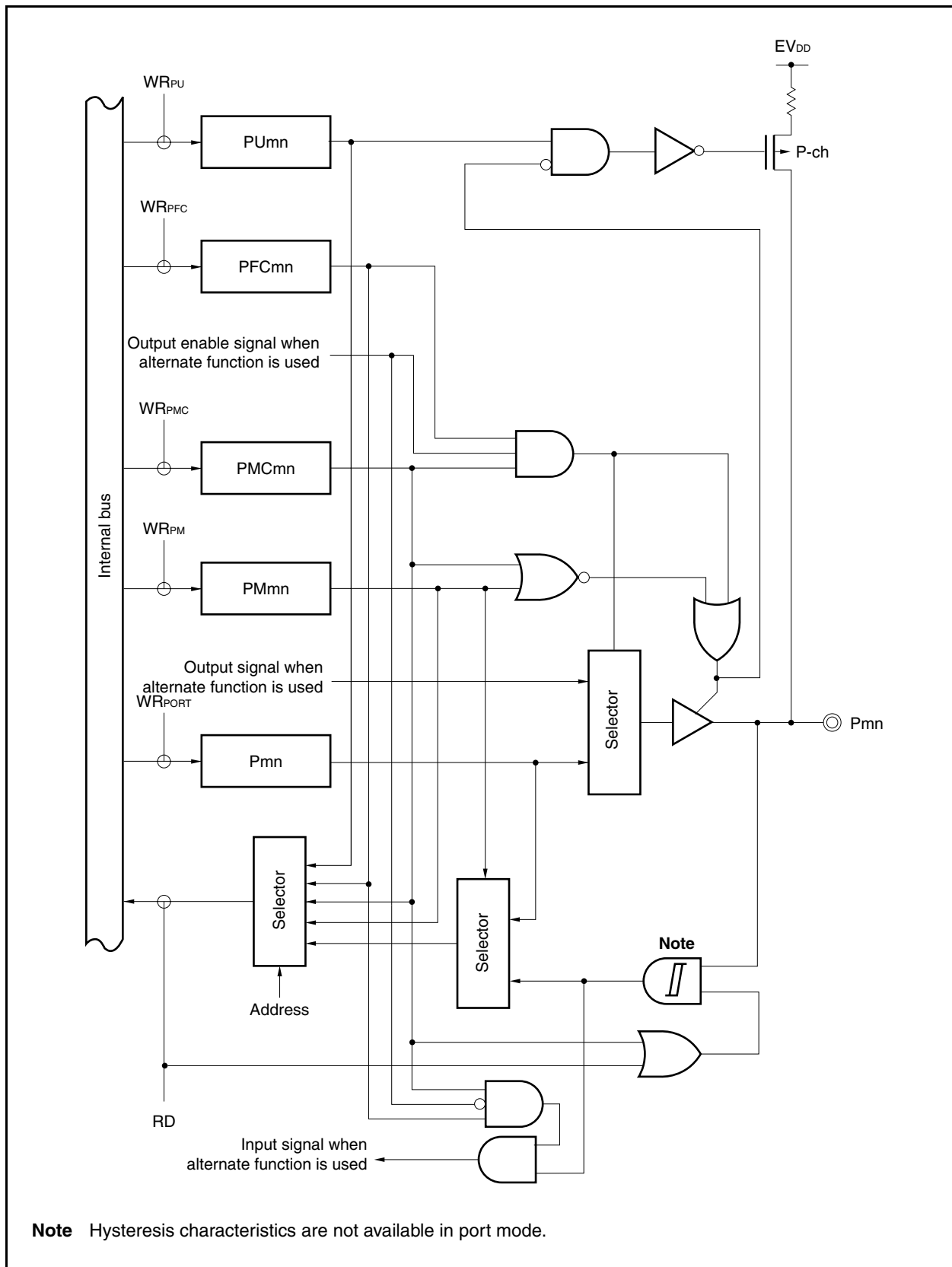
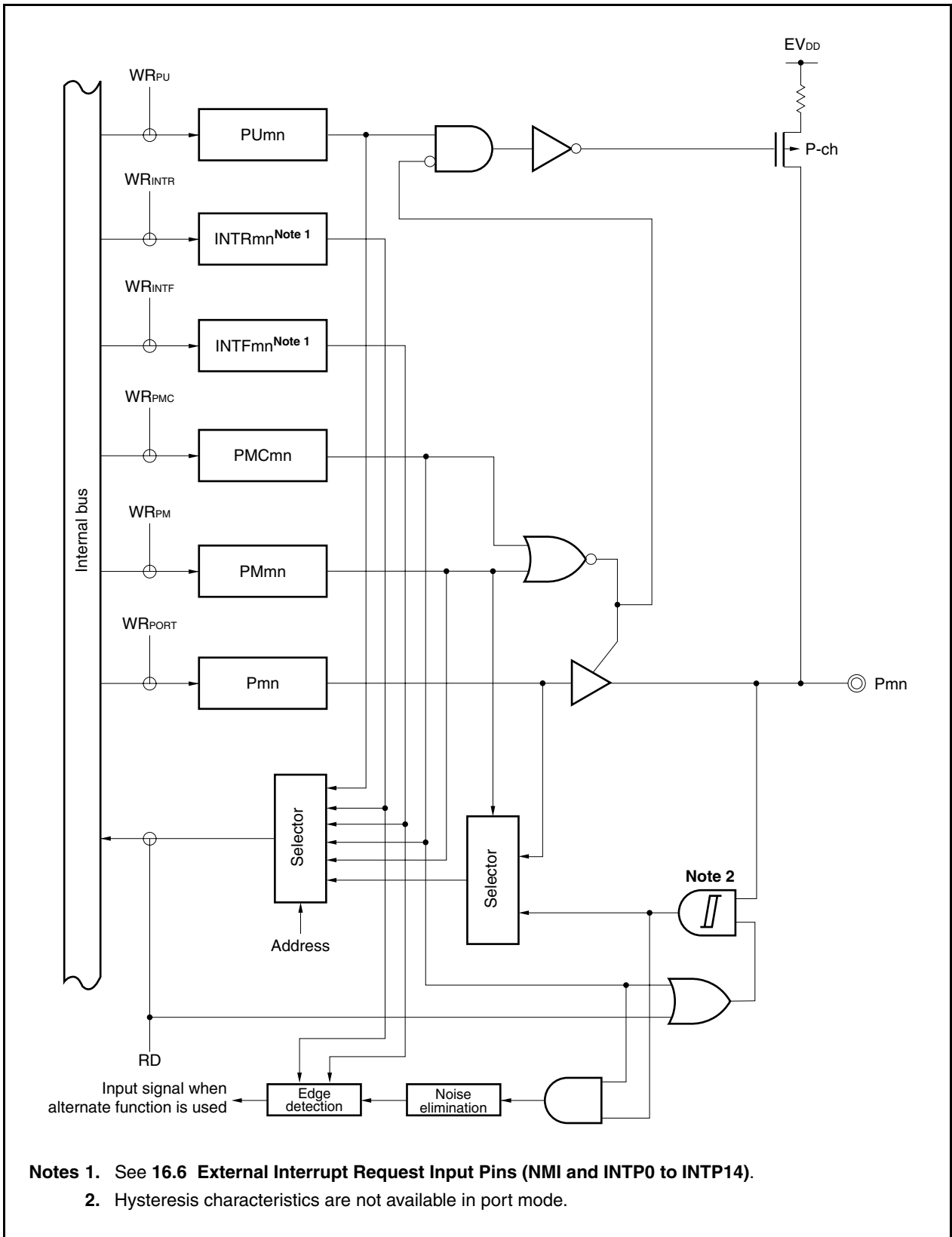


Figure 4-15. Block Diagram of Type G-5



Note Hysteresis characteristics are not available in port mode.

Figure 4-16. Block Diagram of Type L-1



Notes 1. See 16.6 External Interrupt Request Input Pins (NMI and INT_{P0} to INT_{P14}).

2. Hysteresis characteristics are not available in port mode.

Figure 4-17. Block Diagram of Type L-2

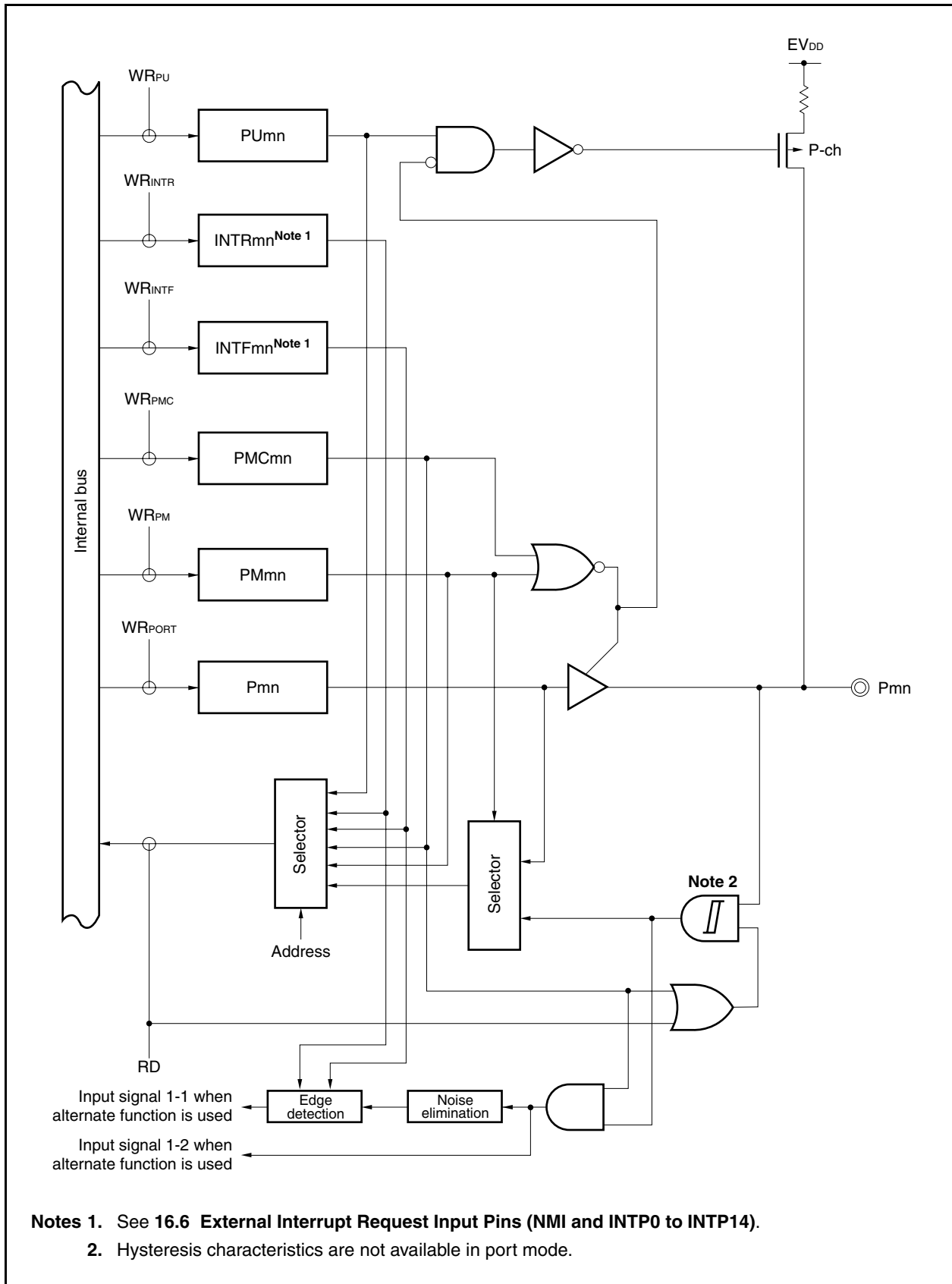
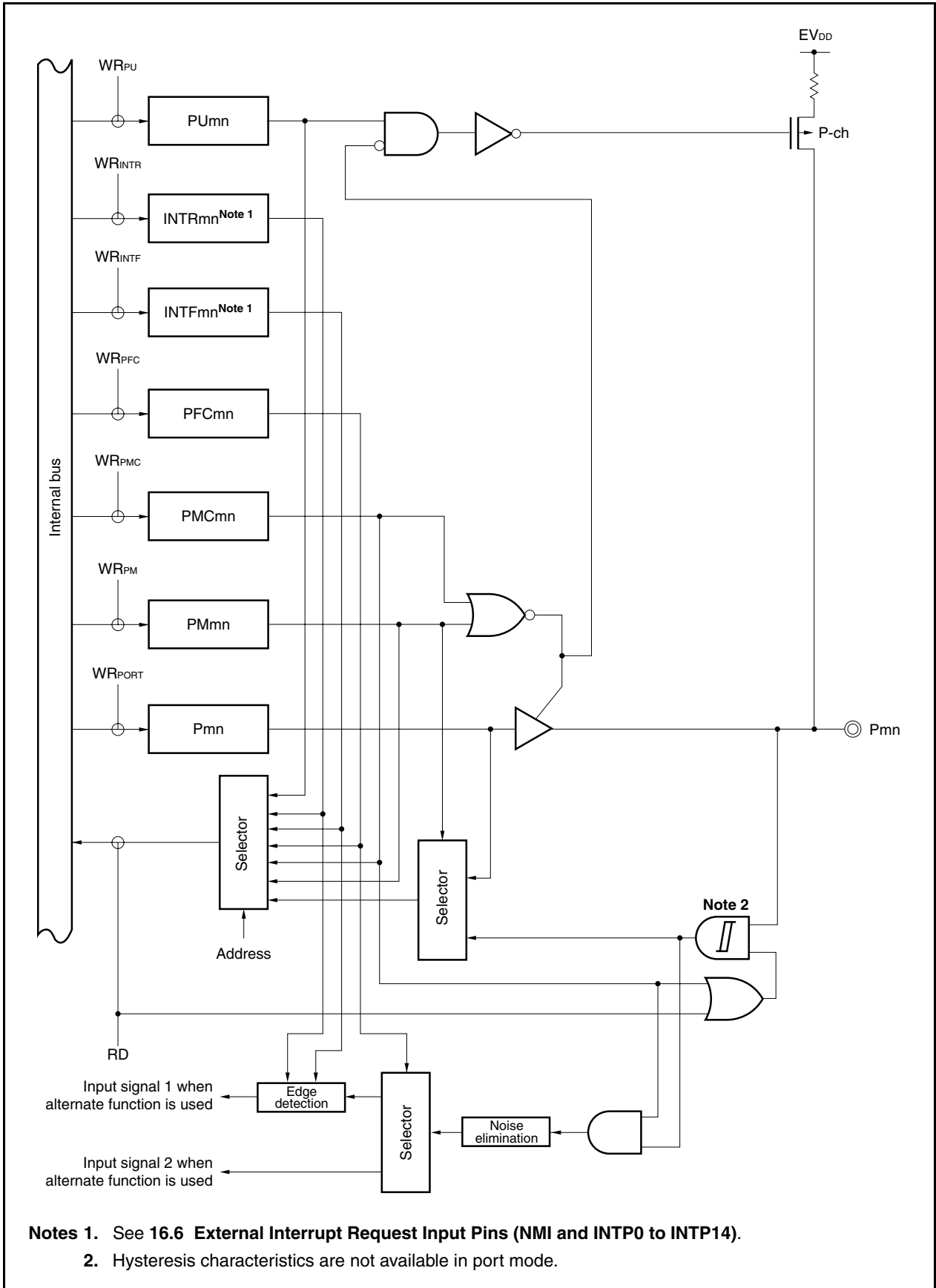
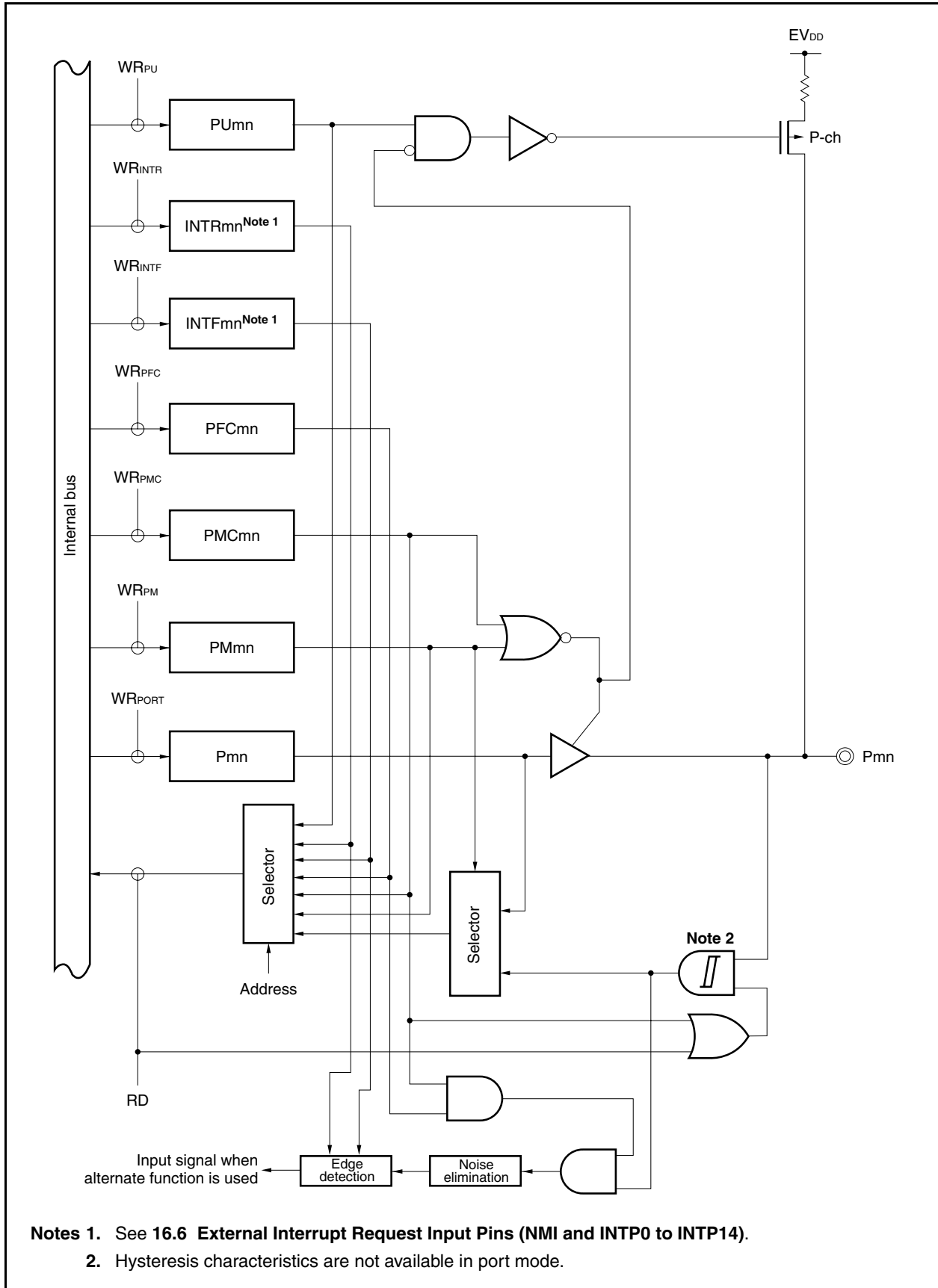


Figure 4-18. Block Diagram of Type N-1



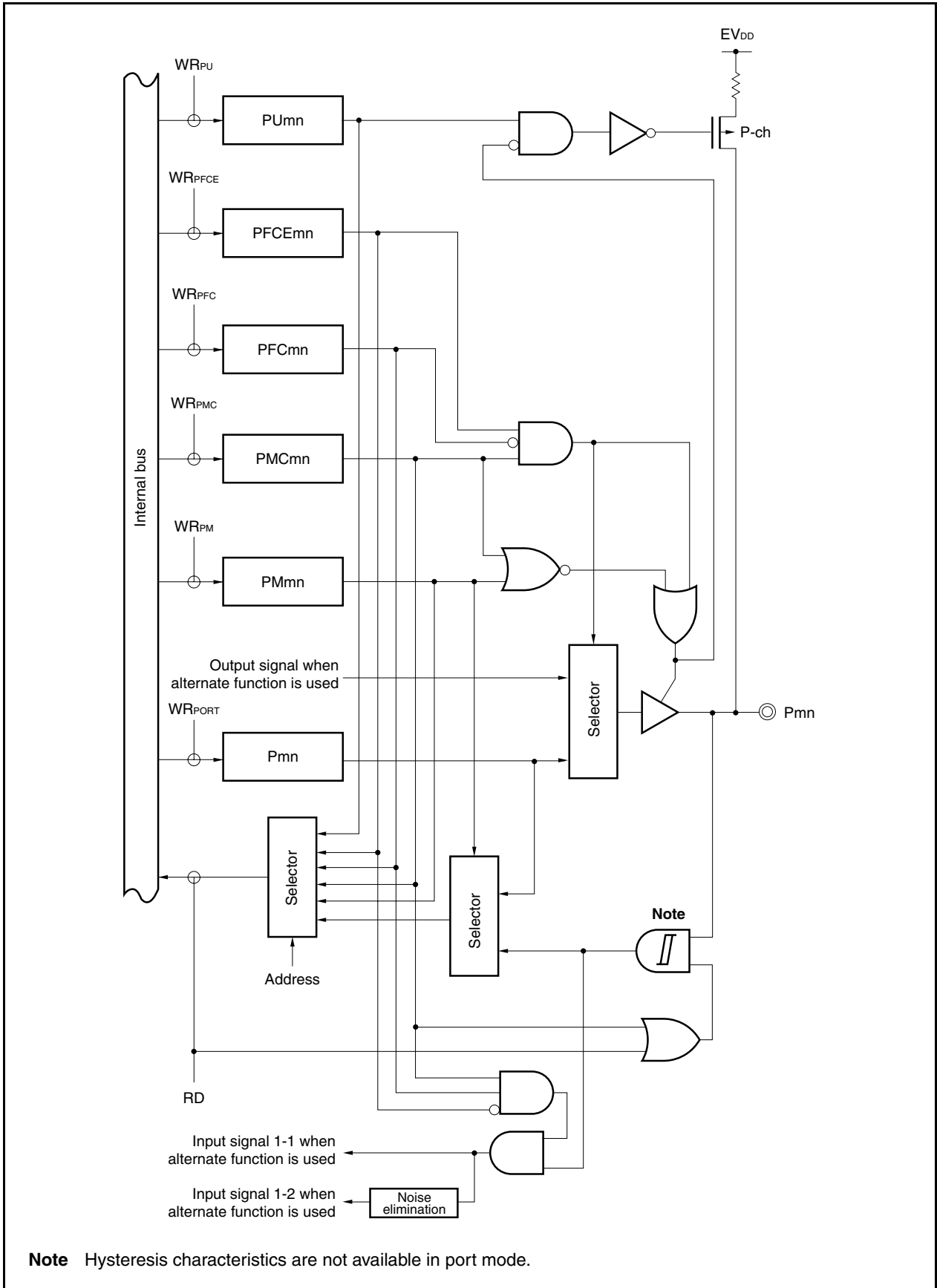
Notes 1. See 16.6 External Interrupt Request Input Pins (NMI and INTP0 to INTP14).
2. Hysteresis characteristics are not available in port mode.

Figure 4-19. Block Diagram of Type N-2



- Notes 1.** See 16.6 External Interrupt Request Input Pins (NMI and INTP0 to INTP14).
- 2.** Hysteresis characteristics are not available in port mode.

Figure 4-20. Block Diagram of Type U-4



Note Hysteresis characteristics are not available in port mode.

Figure 4-21. Block Diagram of Type U-5

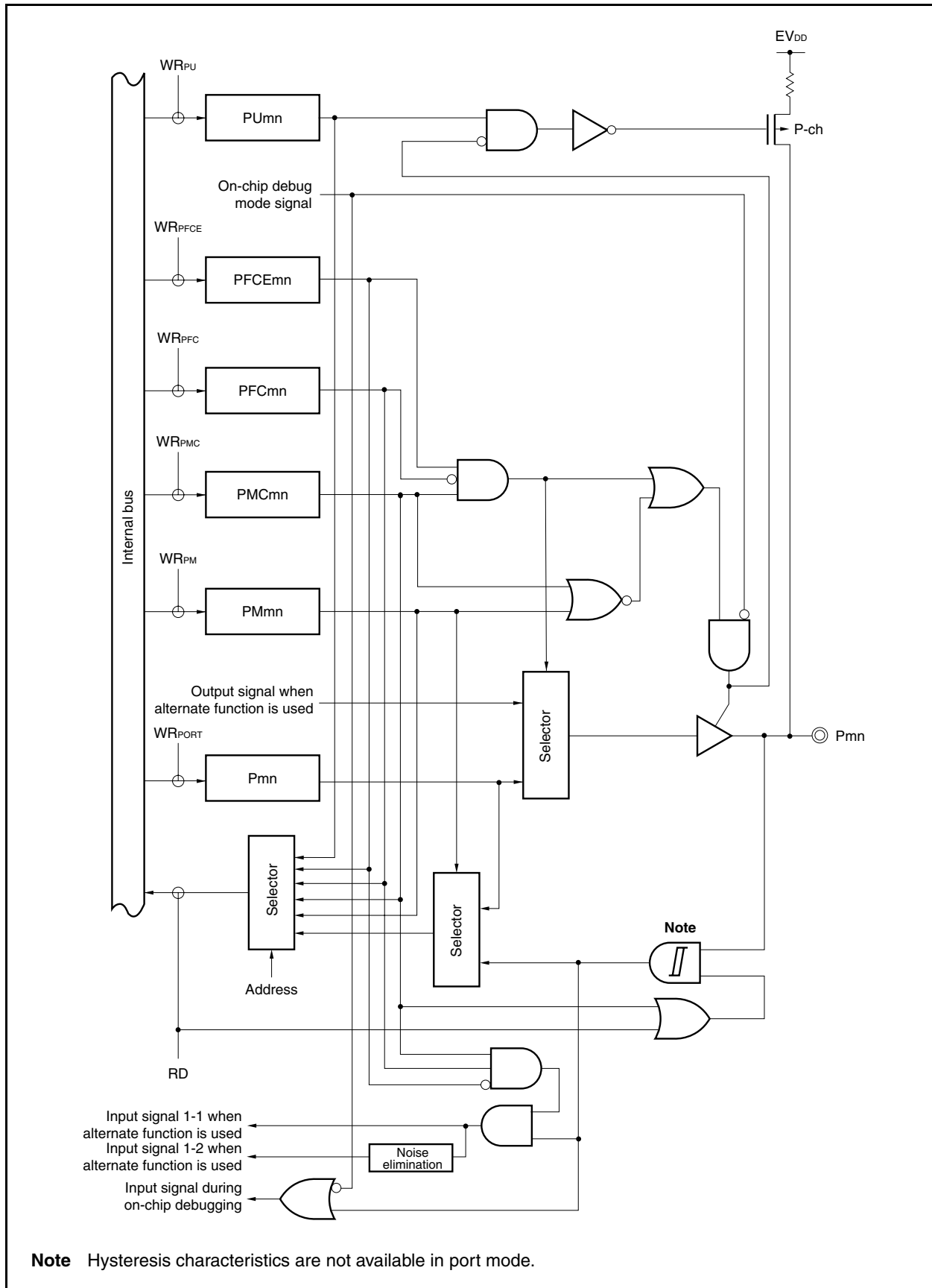


Figure 4-22. Block Diagram of Type U-6

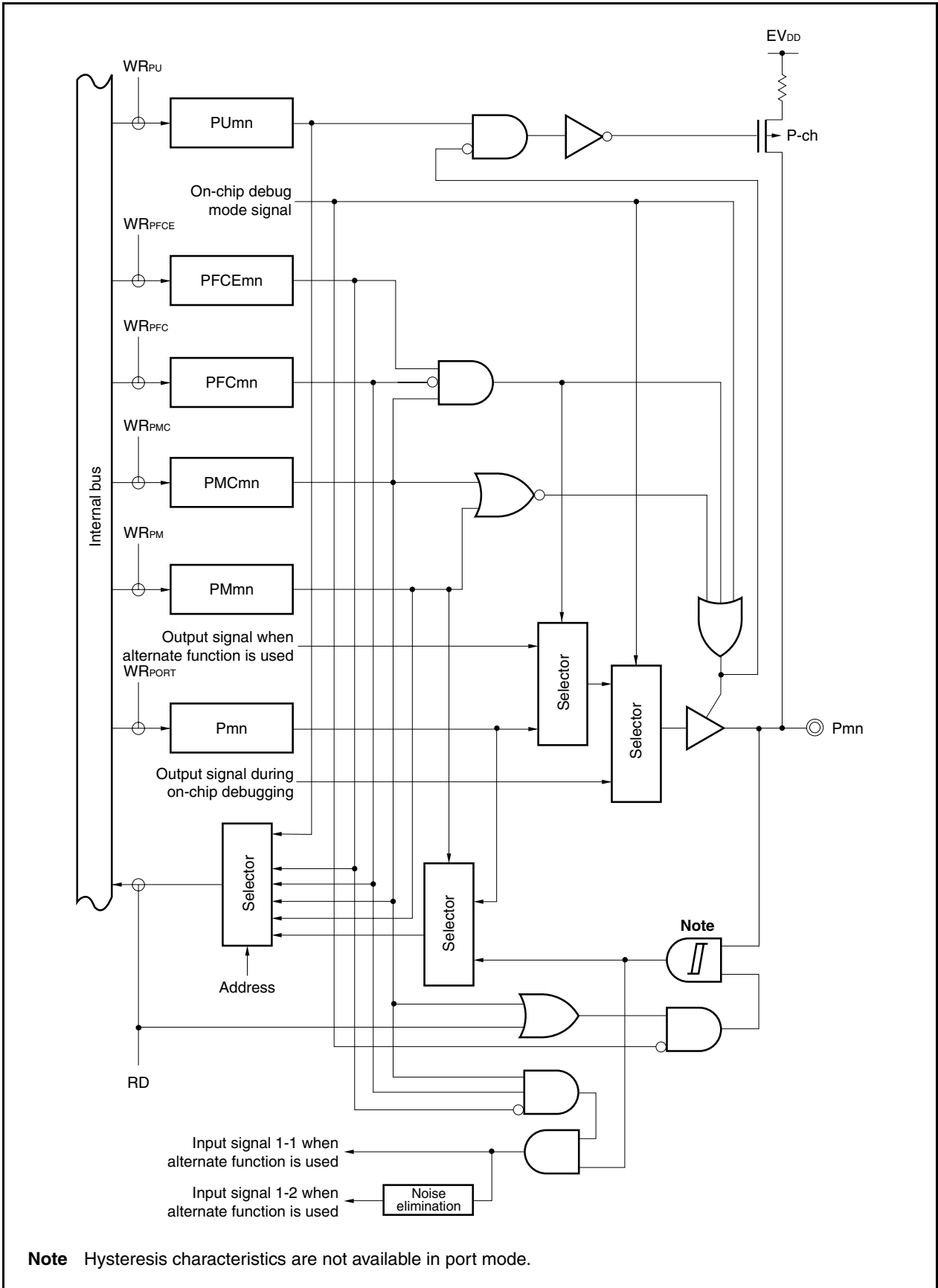


Figure 4-23. Block Diagram of Type U-7

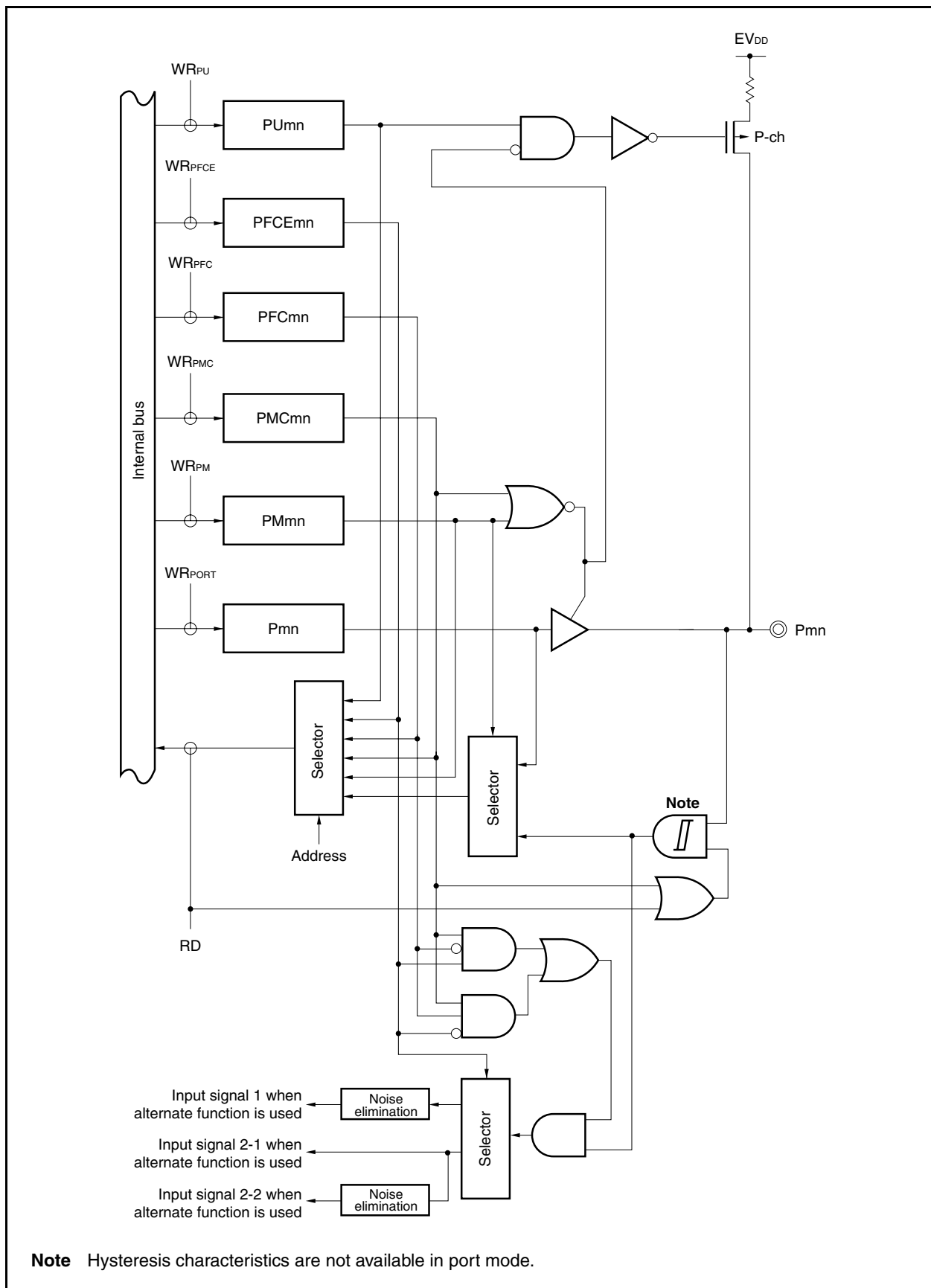


Figure 4-24. Block Diagram of Type U-8

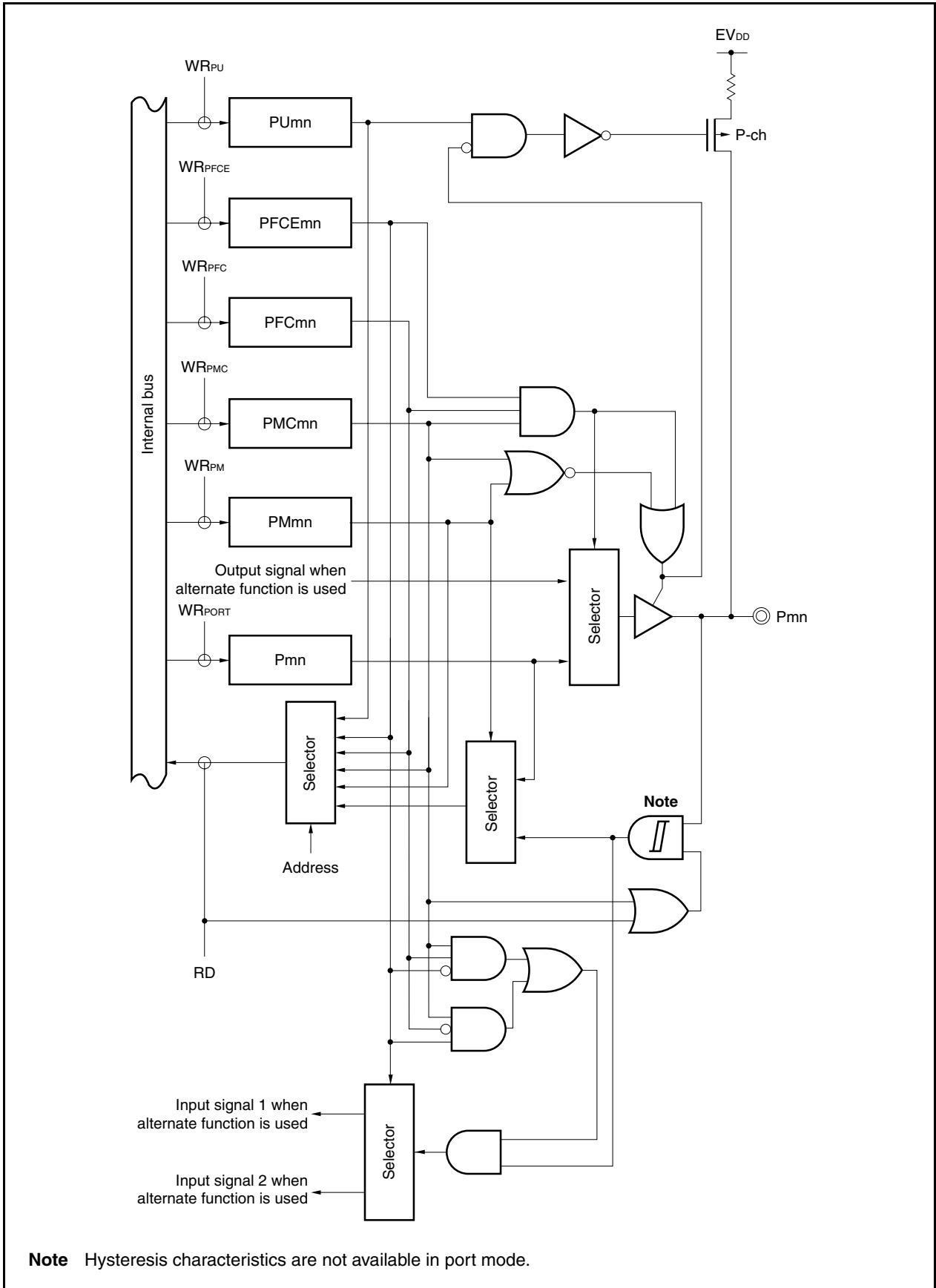


Figure 4-25. Block Diagram of Type U-9

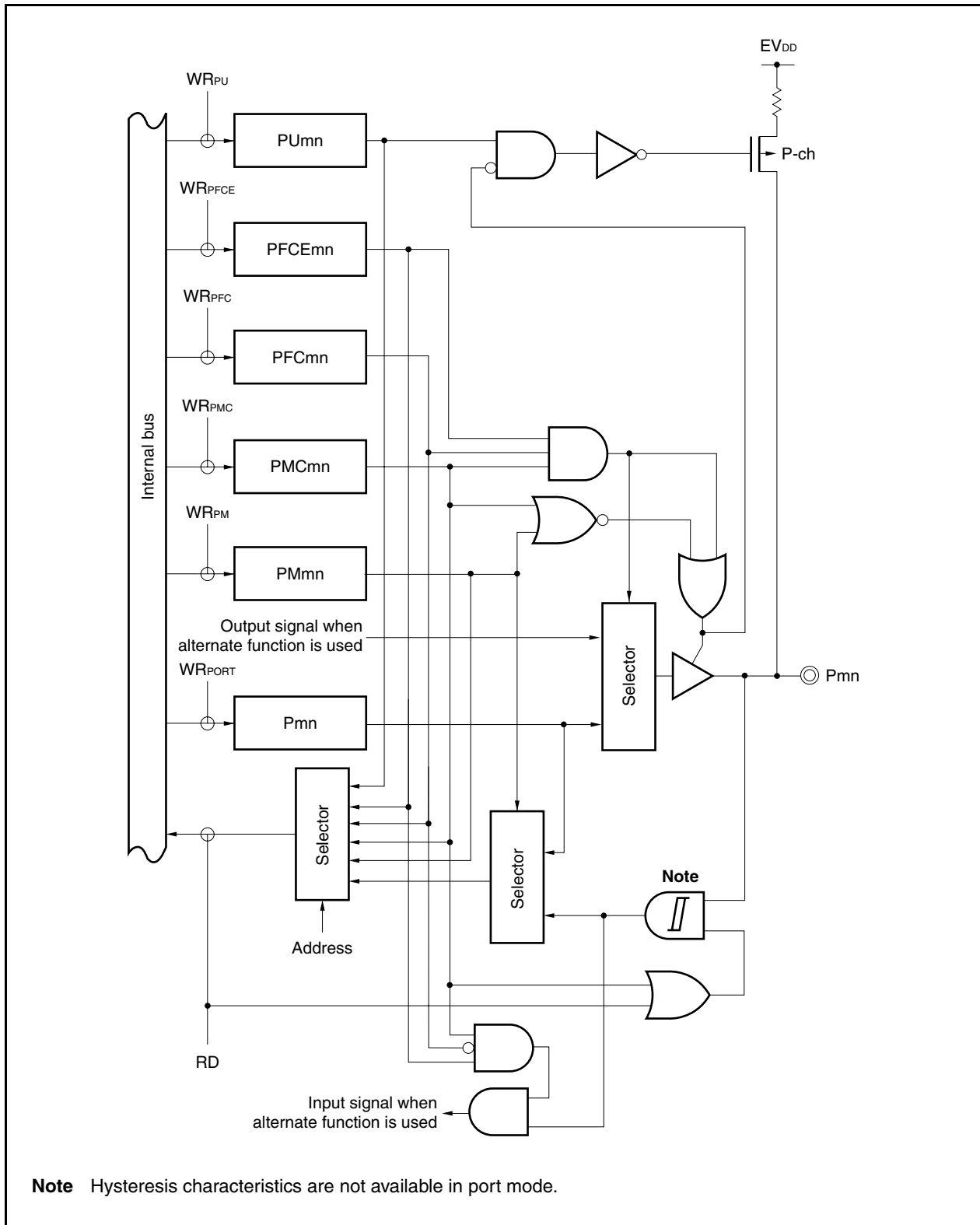


Figure 4-26. Block Diagram of Type U-11

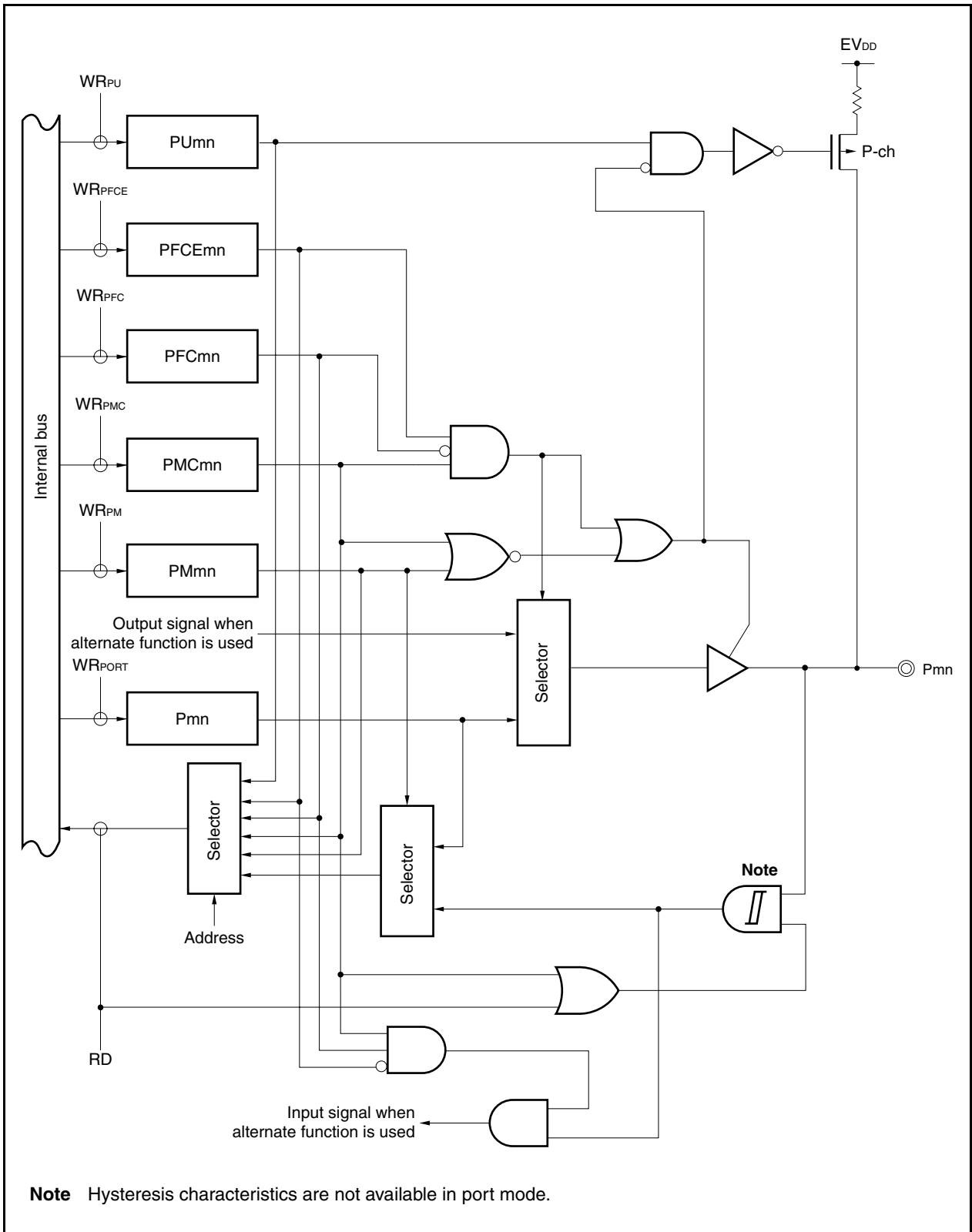


Figure 4-27. Block Diagram of Type U-12

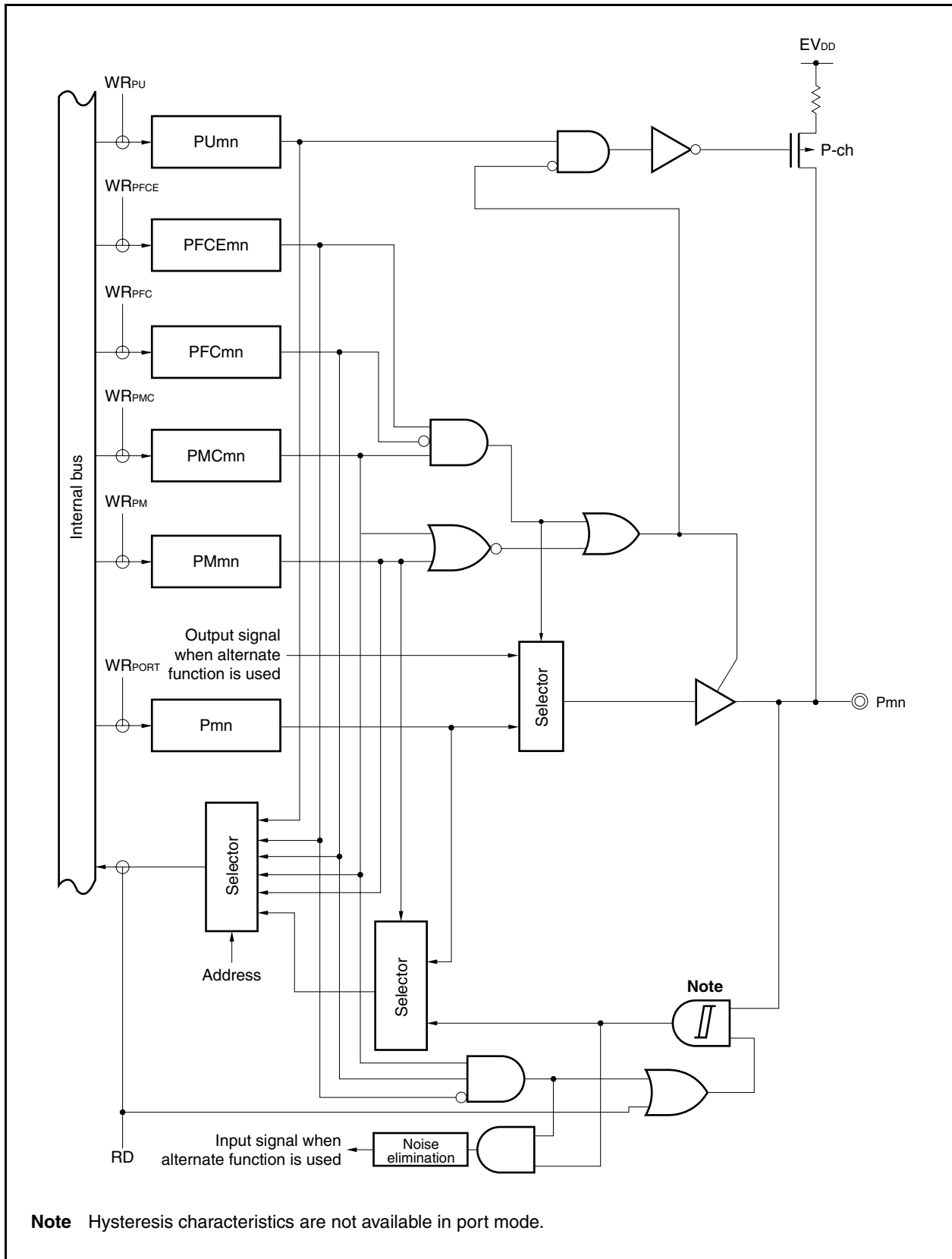


Figure 4-28. Block Diagram of Type U-13

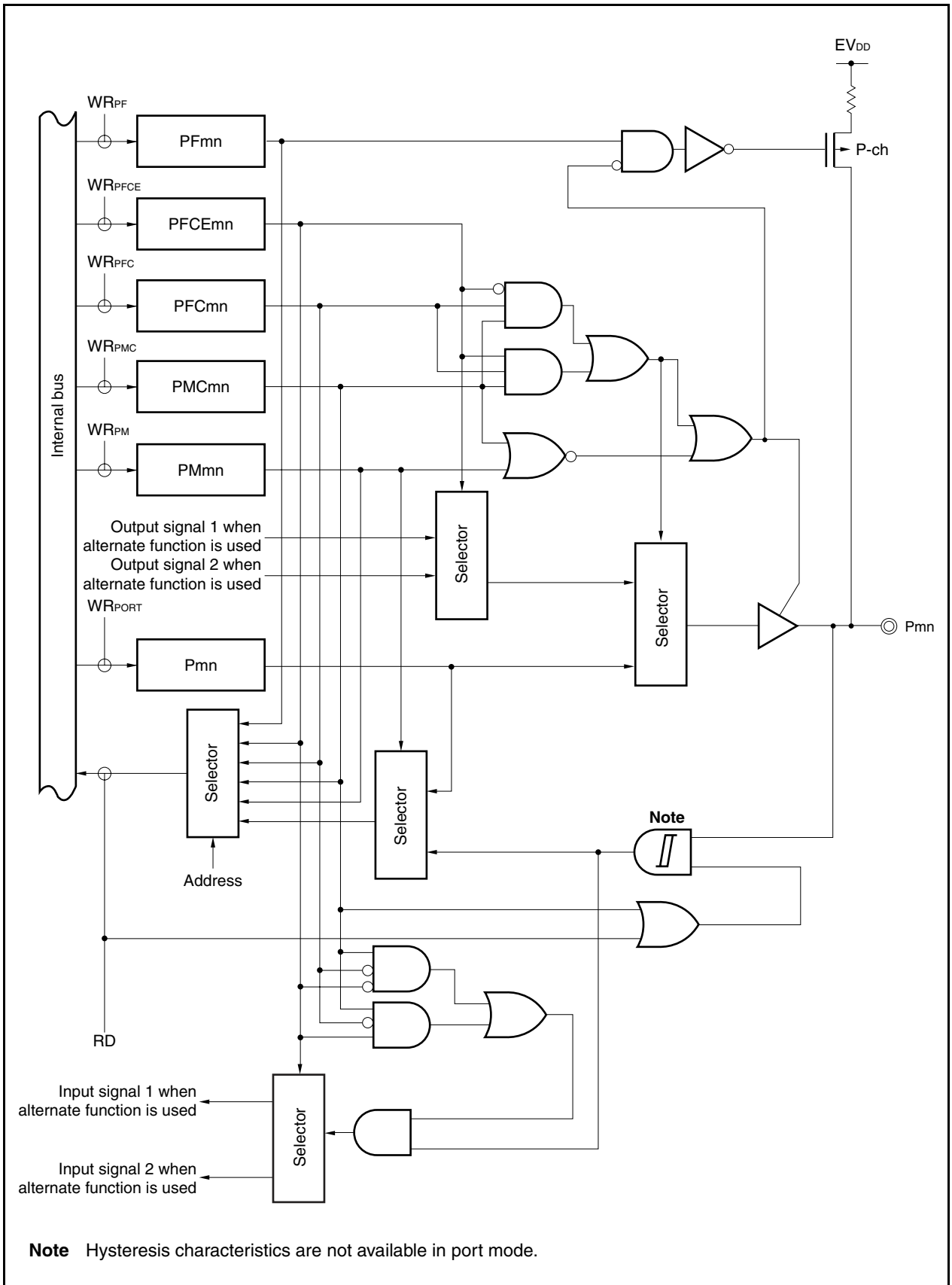
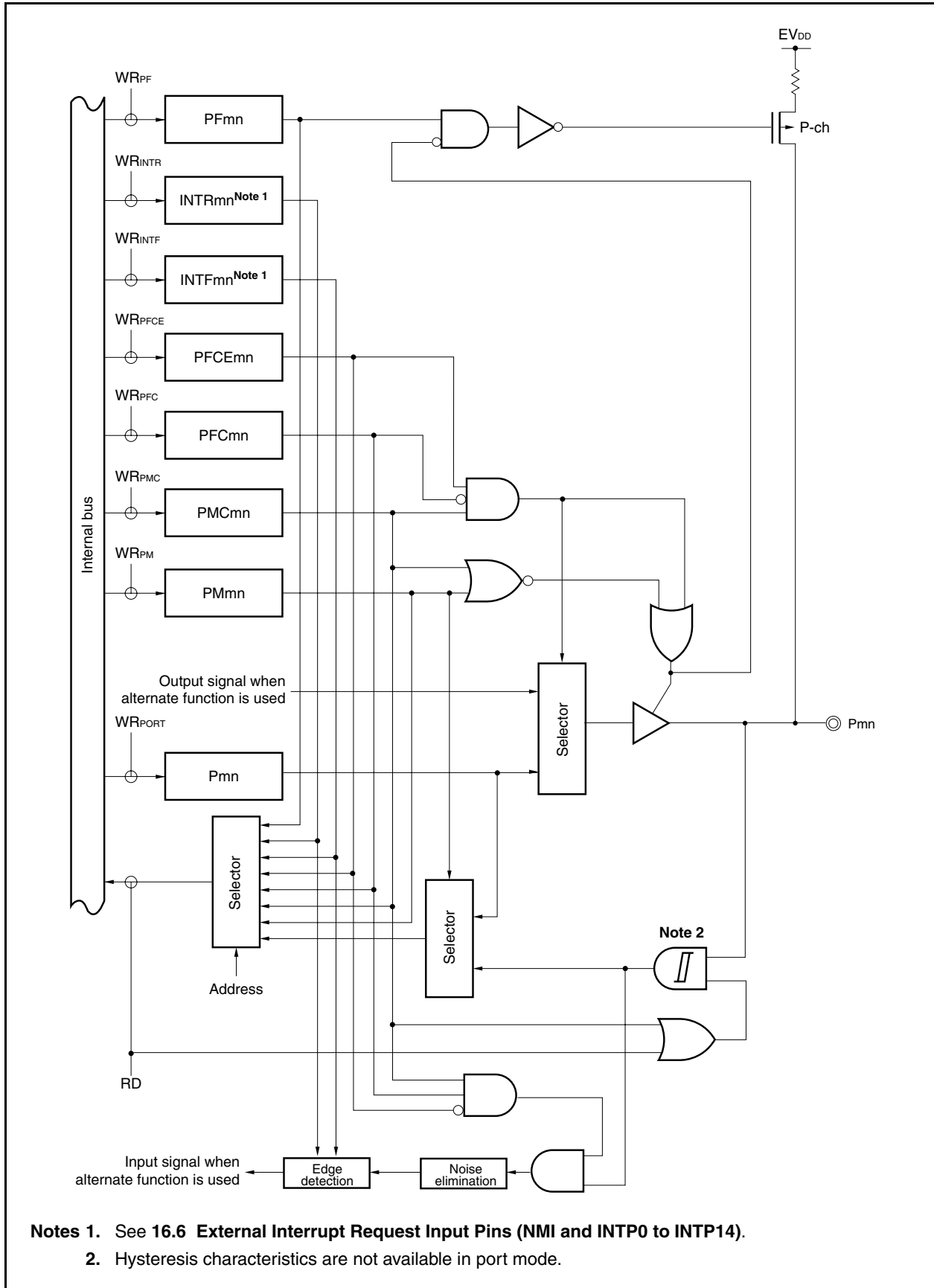
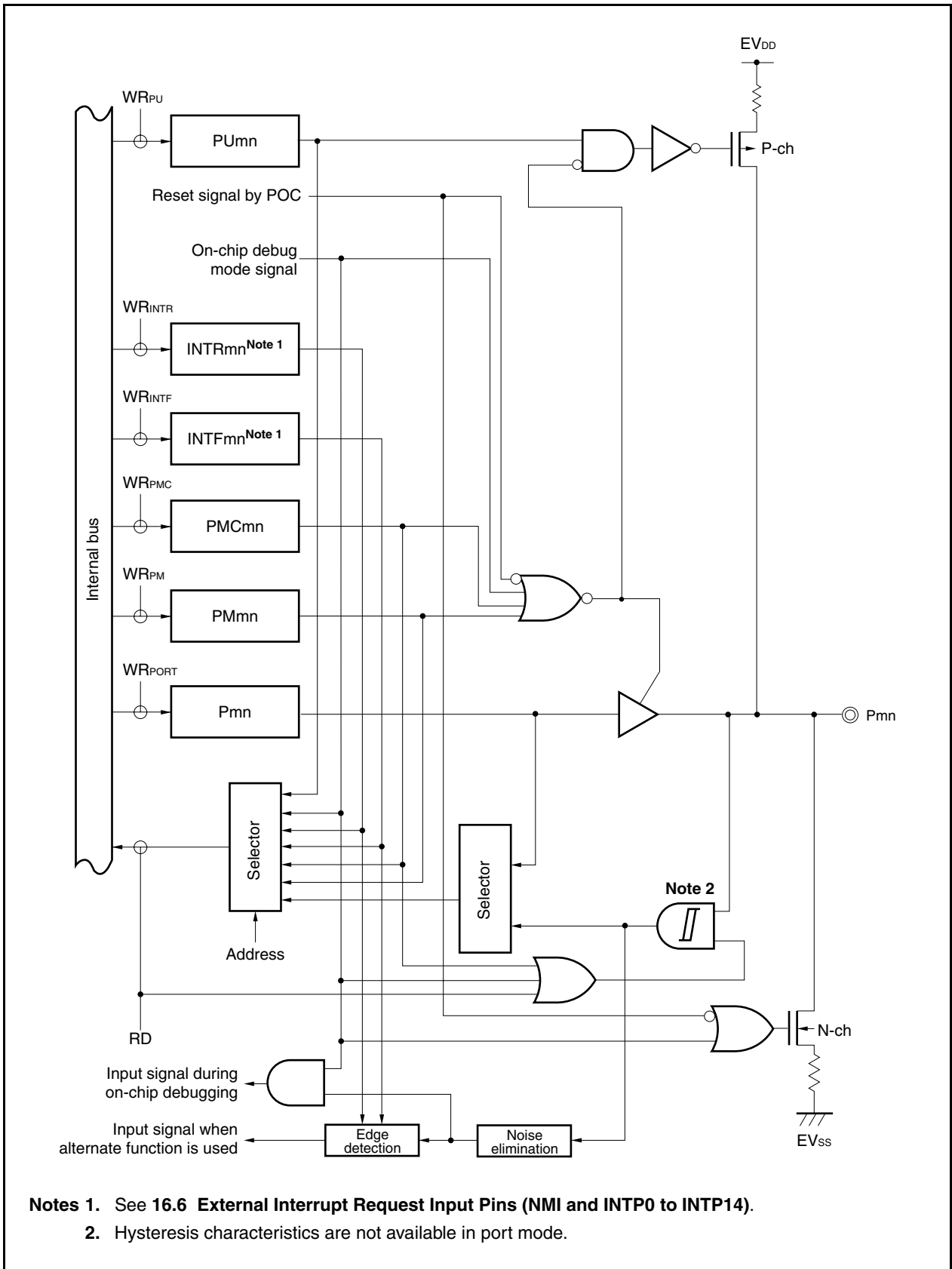


Figure 4-29. Block Diagram of Type W-1



- Notes 1.** See 16.6 External Interrupt Request Input Pins (NMI and INTP0 to INTP14).
- 2.** Hysteresis characteristics are not available in port mode.

Figure 4-30. Block Diagram of Type AA-1



Notes 1. See 16.6 External Interrupt Request Input Pins (NMI and INTP0 to INTP14).

2. Hysteresis characteristics are not available in port mode.

4.5 Cautions

4.5.1 Cautions on setting port pins

(1) In the V850ES/HJ2, the general-purpose port function and several peripheral function I/O pin share a pin. To switch between the general-purpose port (port mode) and the peripheral function I/O pin (alternate-function mode), set by the PMCn register. In regards to this register setting sequence, note with caution the following.

(a) Cautions on switching from port mode to alternate-function mode

To switch from the port mode to alternate-function mode in the following order.

- <1> Set the PFCn and PFCEn registers: Alternate-function selection
 <2> Set the corresponding bit of the PMCn register to 1: Switch to alternate-function mode

If the PMCn register is set first, note with caution that, at that moment or depending on the change of the pin states in accordance with the setting of the PFCn, and PFCEn registers, unexpected operations may occur.

Caution Regardless of the port mode/alternate-function mode, the Pn register is read and written as follows.

- Pn register read: Read the port output latch value (when PMn.PMnm bit = 0), or read the pin states (PMn.PMnm bit = 1).
- Pn register write: Write to the port output latch

<R> (b) Cautions on alternate-function mode (input)
 The input signal to the alternate-function block is low level when the PMCn.PMCnm bit is 0 due to the AND output of the PMCn register set value and the pin level. Thus, depending on the port setting and alternate-function operation enable timing, unexpected operations may occur. Therefore, switch between the port mode and alternate-function mode in the following sequence.

- To switch from port mode to alternate-function mode (input)
 Set the pins to the alternate-function mode using the PMCn register and then enable the alternate-function operation.
- To switch from alternate-function mode (input) to port mode
 Stop the alternate-function operation and then switch the pins to the port mode.

CHAPTER 5 BUS CONTROL FUNCTION

The V850ES/HJ2 is provided with an external bus interface function by which external memories such as ROM and RAM, and I/O can be connected.

5.1 Features

- Multiplexed bus with a minimum of 3 bus cycles
- 8-bit/16-bit data bus selectable
- Wait function
 - Programmable wait function of up to 7 states
 - External wait function using $\overline{\text{WAIT}}$ pin
- Idle state function
- Bus hold function
- External devices can be connected using alternate-function port pins
- Misaligned access possible
- Chip select function (4 spaces)

5.2 Bus Control Pins

The pins used to connect an external device are listed in the table below.

Table 5-1. Bus Control Pins (Multiplexed Bus)

Bus Control Pin	Alternate-Function Pin	I/O	Function
AD0 to AD15	PDL0 to PDL15	I/O	Address/data bus
$\overline{\text{WAIT}}$	PCM0	Input	External wait control
CLKOUT	PCM1	Output	Internal system clock
$\overline{\text{WR0}}, \overline{\text{WR1}}$	PCT0, PCT1	Output	Write strobe signal
$\overline{\text{RD}}$	PCT4	Output	Read strobe signal
ASTB	PCT6	Output	Address strobe signal
$\overline{\text{HLDRQ}}$	PCM3	Input	Bus hold control
$\overline{\text{HLDAK}}$	PCM2	Output	
$\overline{\text{CS0}}$ to $\overline{\text{CS3}}$	PCS0 to PCS3	Output	Chip select

5.2.1 Pin status when internal ROM, internal RAM, or on-chip peripheral I/O is accessed

When the internal ROM, internal RAM, or on-chip peripheral I/O are accessed, the status of each pin is as follows.

Table 5-2. Pin Statuses When Internal ROM, Internal RAM, or On-Chip Peripheral I/O Is Accessed

Address/data bus (AD15 to AD0)	Undefined
Control signal	Inactive

Caution When a write access is performed to the internal ROM area, address, data, and control signals are activated in the same way as access to the external memory area.

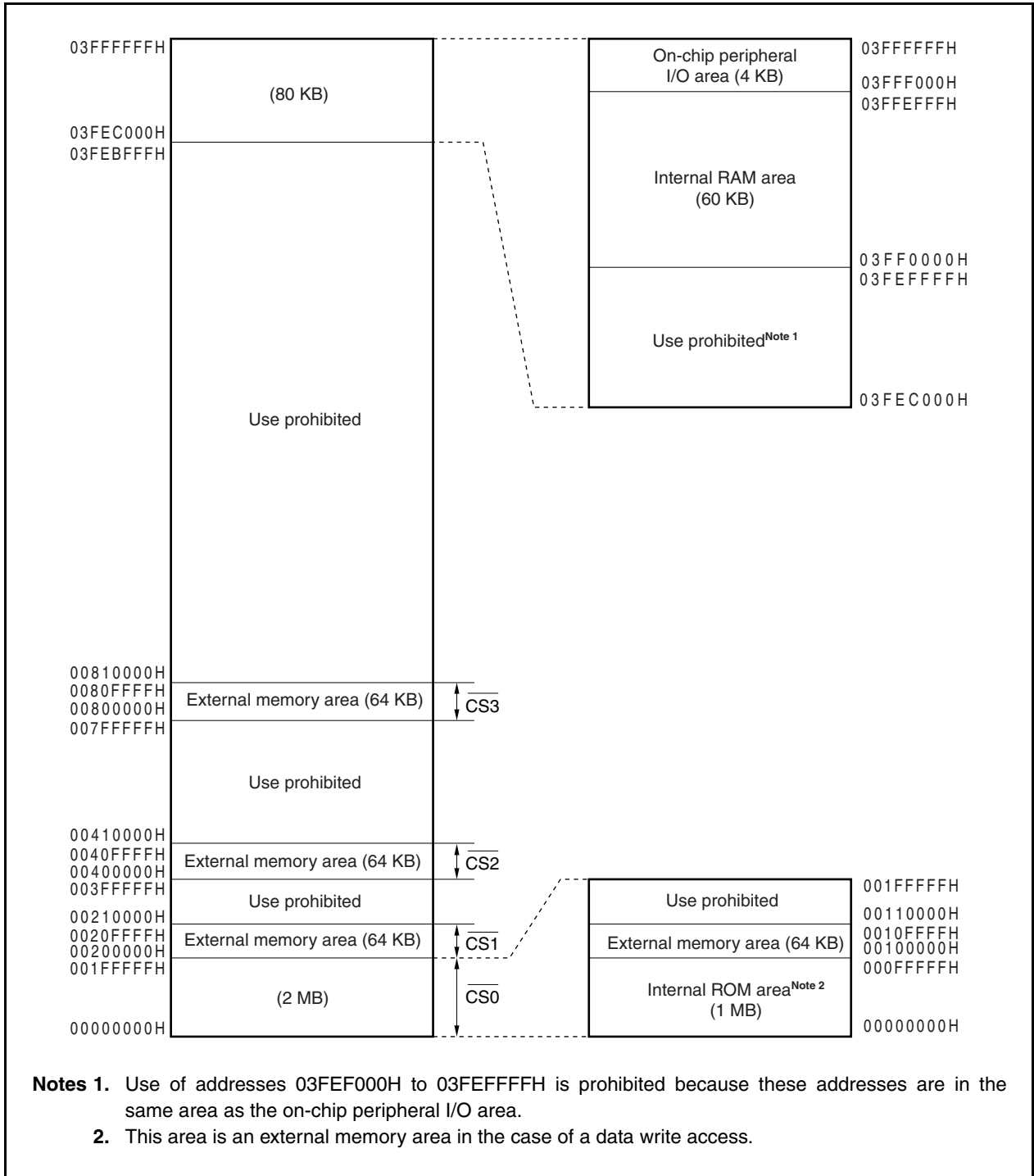
5.2.2 Pin status in each operation mode

For the pin status of the V850ES/HJ2 in each operation mode, see 2.2 Pin Status.

5.3 Memory Block Function

The 256 KB external memory space is divided into memory blocks of (lower) 64 KB, 64 KB, 64 KB, and 64 KB. The programmable wait function and bus cycle operation mode for each of these blocks can be independently controlled in one-block units.

Figure 5-1. Data Memory Map: Physical Address



- Notes 1.** Use of addresses 03FEF000H to 03FEFFFFH is prohibited because these addresses are in the same area as the on-chip peripheral I/O area.
- 2.** This area is an external memory area in the case of a data write access.

5.4 Bus Access

5.4.1 Number of clocks for access

The following table shows the number of basic clocks required for accessing each resource.

Area (Bus Width) Bus Cycle Type	Internal ROM (32 Bits)	Internal RAM (32 Bits)	External Memory (16 Bits)
Instruction fetch (normal access)	1	1 ^{Note}	3 + n
Instruction fetch (branch)	2	2 ^{Note}	3 + n
Operand data access	3	1	3 + n

Note Increases by 1 if a conflict with a data access occurs.

Remark Unit: Clocks/access

5.4.2 Bus size setting function

Each external memory area selected by \overline{CSn} can be set by using the BSC register. However, the bus size can be set to 8 bits and 16 bits only.

The external memory area of the V850ES/HJ2 is selected by $\overline{CS0}$ to $\overline{CS3}$.

(1) Bus size configuration register (BSC)

The BSC register can be read or written in 16-bit units.

Reset sets this register to 5555H.

Caution Write to the BSC register after reset, and then do not change the set values. Also, do not access an external memory area until the initial settings of the BSC register are complete.

After reset: 5555H R/W Address: FFFFF066H

	15	14	13	12	11	10	9	8
BSC	0	1	0	1	0	1	0	1
	7	6	5	4	3	2	1	0
	0	BS30	0	BS20	0	BS10	0	BS00
		┌ └		┌ └		┌ └		┌ └
		$\overline{CS3}$		$\overline{CS2}$		$\overline{CS1}$		$\overline{CS0}$

BSn0	Data bus width of CSn space (n = 0 to 3)
0	8 bits
1	16 bits

Caution Be sure to set bits 14, 12, 10, and 8 to “1”, and clear bits 15, 13, 11, 9, 7, 5, 3, and 1 to “0”.

5.4.3 Access by bus size

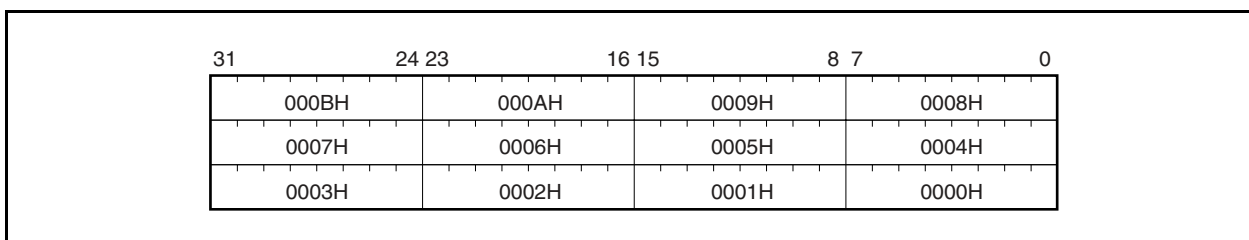
The V850ES/HJ2 accesses the on-chip peripheral I/O and external memory in 8-bit, 16-bit, or 32-bit units. The bus size is as follows.

- The bus size of the on-chip peripheral I/O is fixed to 16 bits.
- The bus size of the external memory is selectable from 8 bits or 16 bits (by using the BSC register).

The operation when each of the above is accessed is described below. All data is accessed starting from the lower side.

The V850ES/HJ2 supports only the little-endian format.

Figure 5-2. Little-Endian Address in Word



(1) Data space

The V850ES/HJ2 has an address misalign function.

With this function, data can be placed at all addresses, regardless of the format of the data (word data or halfword data). However, if the word data or halfword data is not aligned at the boundary, a bus cycle is generated at least twice, causing the bus efficiency to drop.

(a) Halfword-length data access

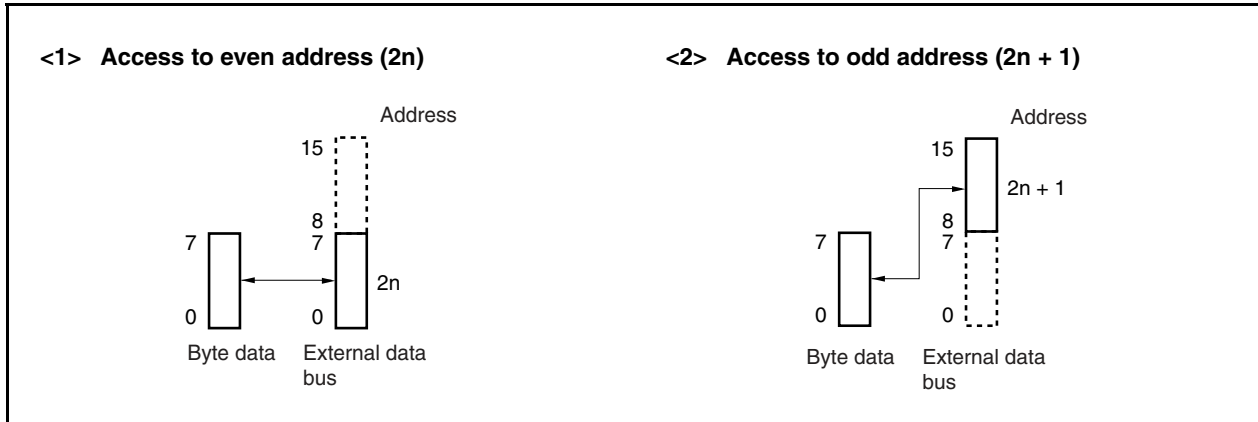
A byte-length bus cycle is generated twice if the least significant bit of the address is 1.

(b) Word-length data access

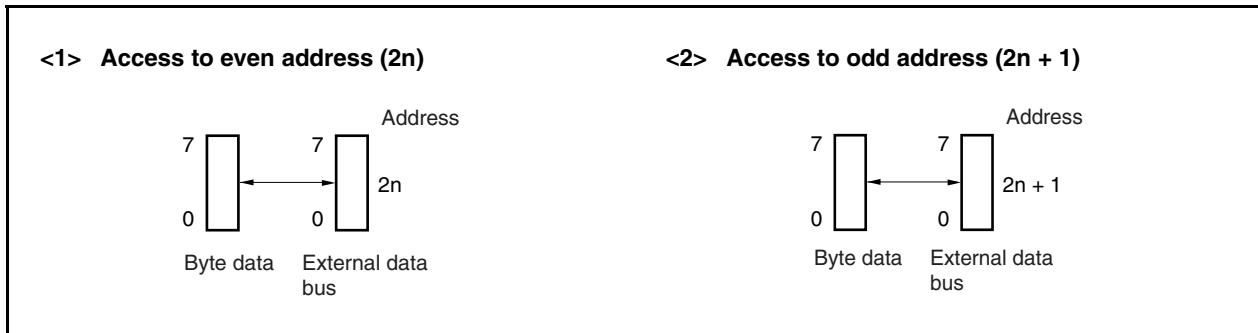
- (i) A byte-length bus cycle, halfword-length bus cycle, and byte-length bus cycle are generated in that order if the least significant bit of the address is 1.
- (ii) A halfword-length bus cycle is generated twice if the lower 2 bits of the address are 10.

(2) Byte access (8 bits)

(a) 16-bit data bus width

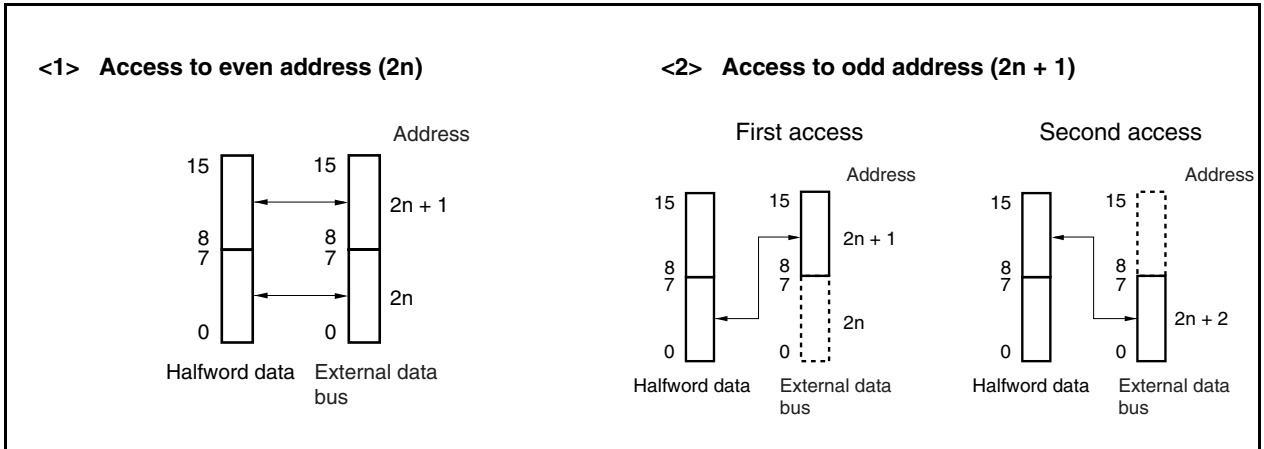


(b) 8-bit data bus width

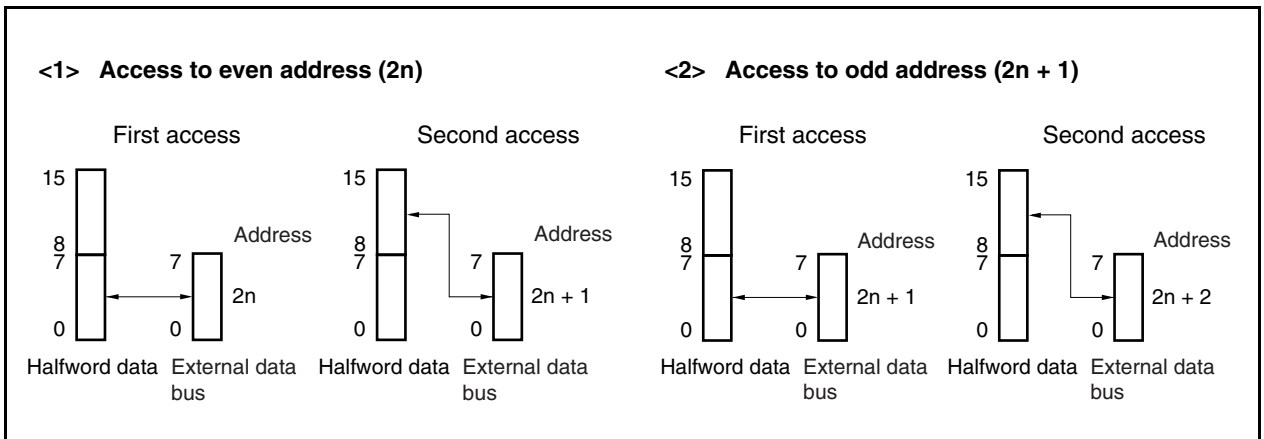


(3) Halfword access (16 bits)

(a) With 16-bit data bus width



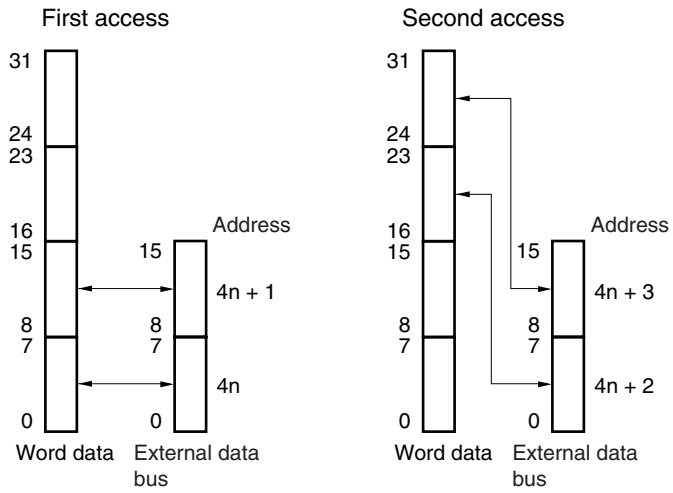
(b) 8-bit data bus width



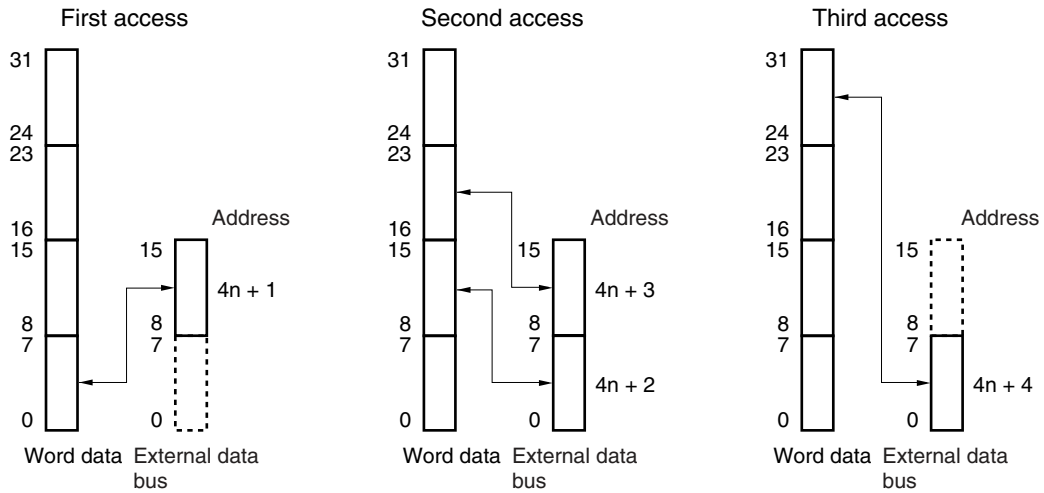
(4) Word access (32 bits)

(a) 16-bit data bus width (1/2)

<1> Access to address (4n)

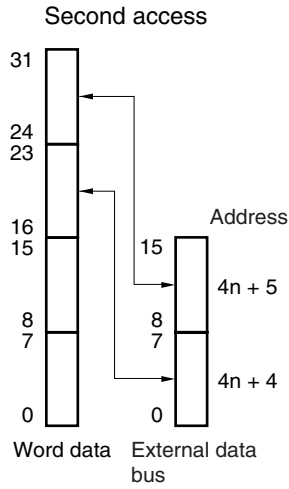
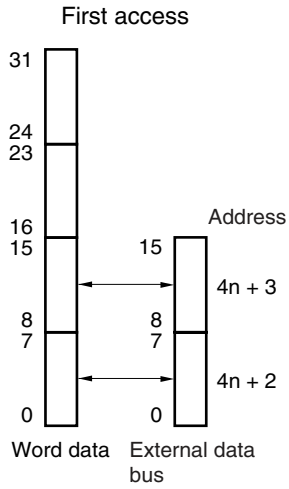


<2> Access to address (4n + 1)

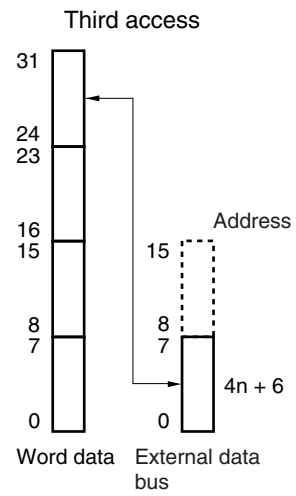
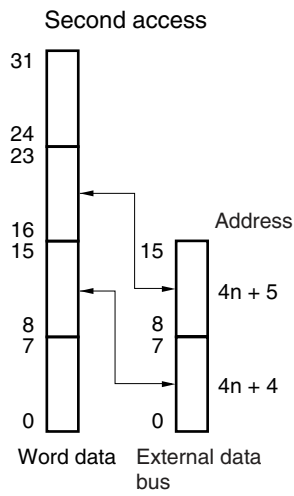
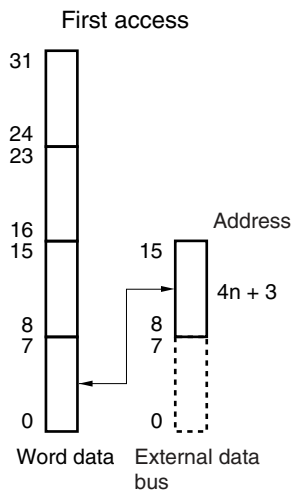


(a) 16-bit data bus width (2/2)

<3> Access to address (4n + 2)

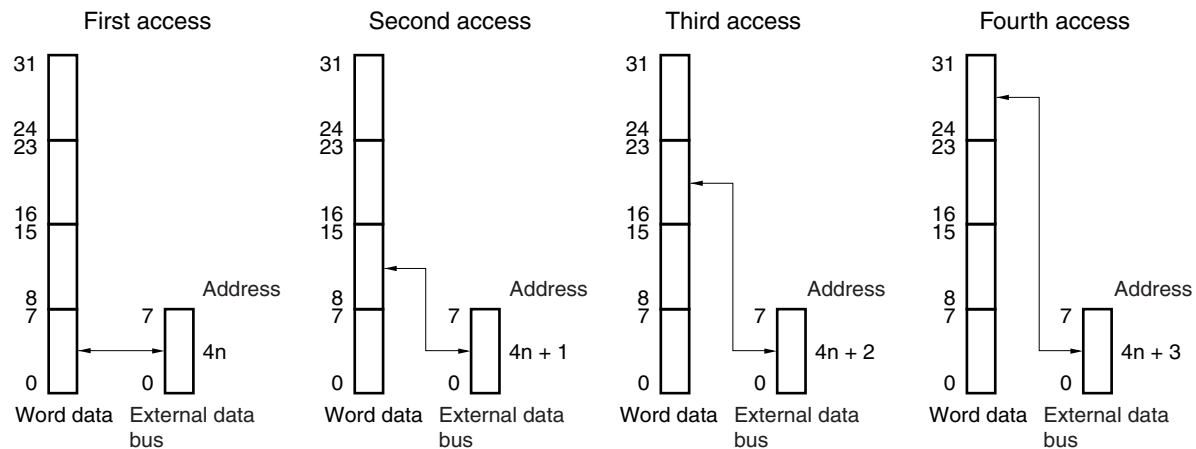


<4> Access to address (4n + 3)

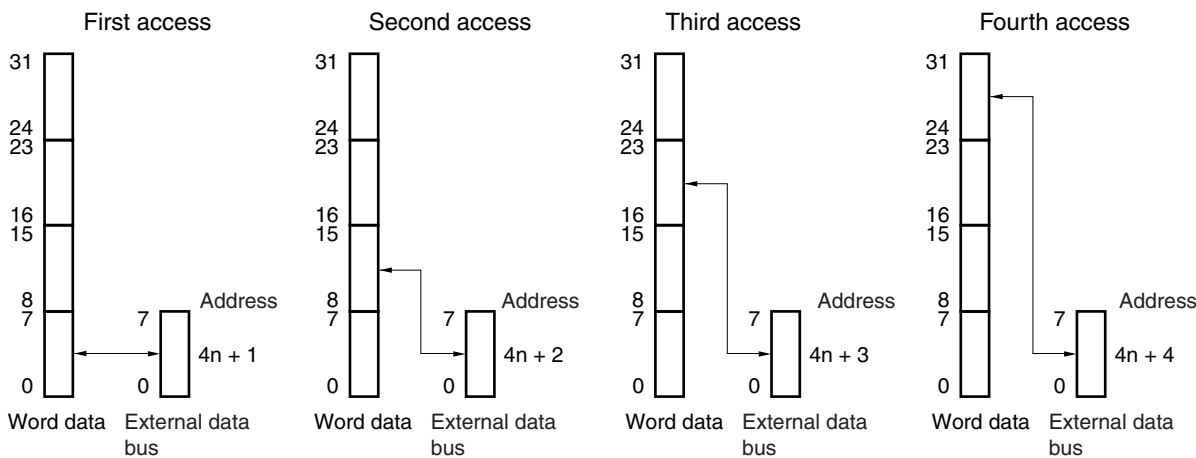


(b) 8-bit data bus width (1/2)

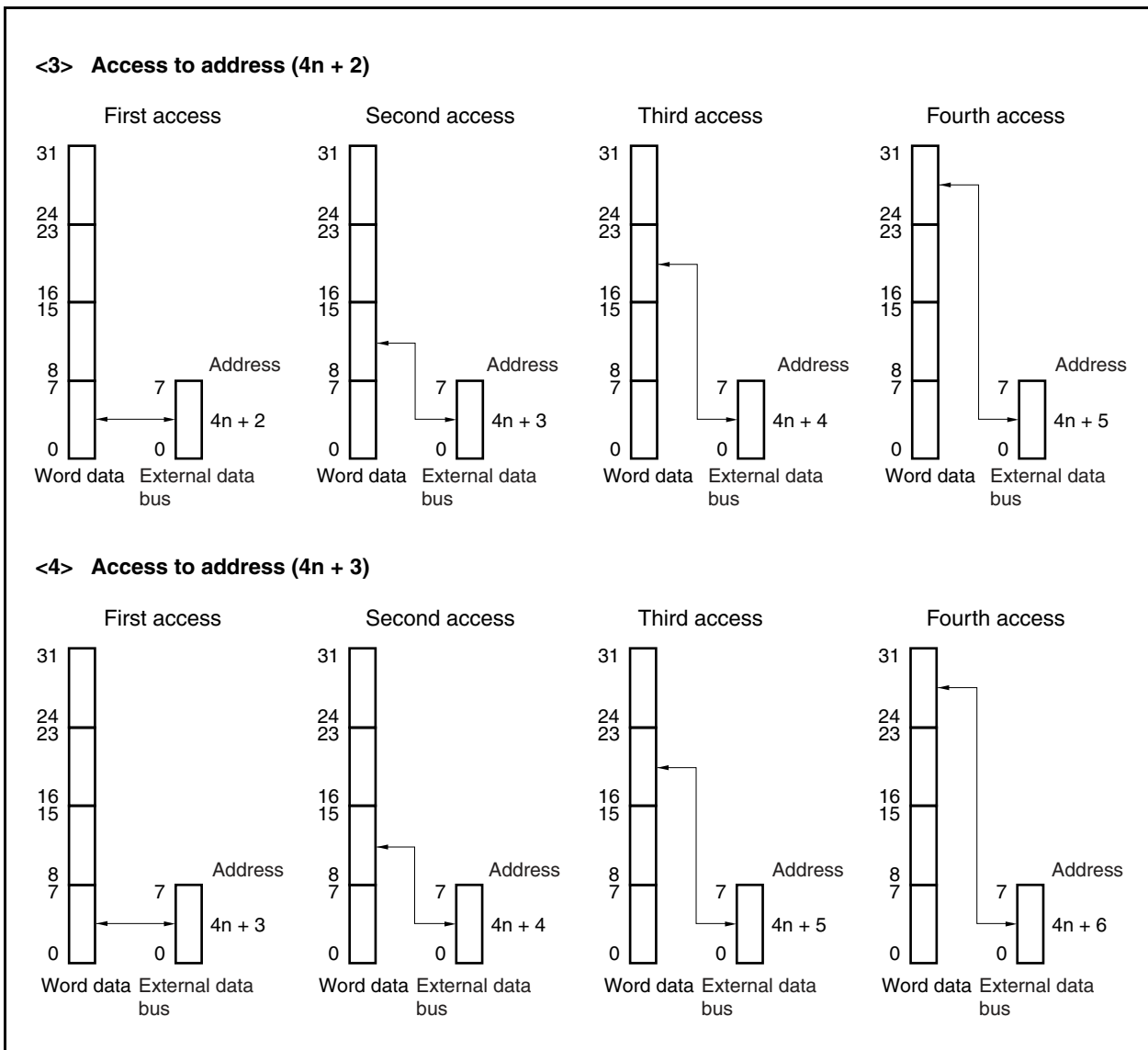
<1> Access to address (4n)



<2> Access to address (4n + 1)



(b) 8-bit data bus width (2/2)



5.5 Wait Function

5.5.1 Programmable wait function

(1) Data wait control register 0 (DWC0)

To realize interfacing with a low-speed memory or I/O, up to seven data wait states can be inserted in the bus cycle that is executed for each CS space.

The number of wait states can be programmed by using the DWC0 register. Immediately after system reset, 7 data wait states are inserted for all the blocks.

The DWC0 register can be read or written in 16-bit units.

Reset sets this register to 7777H.

- Cautions**
1. The internal ROM and internal RAM areas are not subject to programmable wait, and are always accessed without a wait state. The on-chip peripheral I/O area is also not subject to programmable wait, and only wait control from each peripheral function is performed.
 2. Write to the DWC0 register after reset, and then do not change the set values. Also, do not access an external memory area until the initial settings of the DWC0 register are complete.

After reset: 7777H R/W Address: FFFFF484H

	15	14	13	12	11	10	9	8
DWC0	0	DW32	DW31	DW30	0	DW22	DW21	DW20
	CS3				CS2			
	7	6	5	4	3	2	1	0
	0	DW12	DW11	DW10	0	DW02	DW01	DW00
	CS1				CS0			

DWN2	DWN1	DWN0	Number of wait states inserted in CSn space (n = 0 to 3)
0	0	0	Not inserted
0	0	1	1
0	1	0	2
0	1	1	3
1	0	0	4
1	0	1	5
1	1	0	6
1	1	1	7

Caution Be sure to clear bits 15, 11, 7, and 3 to "0".

5.5.2 External wait function

To synchronize an extremely slow external memory, I/O, or asynchronous system, any number of wait states can be inserted in the bus cycle by using the external wait pin ($\overline{\text{WAIT}}$).

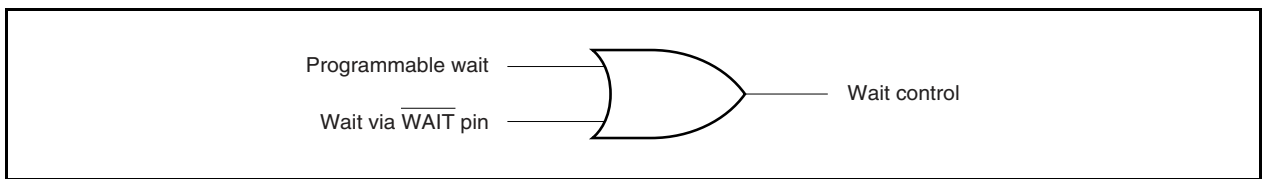
When the PCM0 pin is set to alternate function, the external wait function is enabled.

Access to each area of the internal ROM, internal RAM, and on-chip peripheral I/O is not subject to control by the external wait function, in the same manner as the programmable wait function.

The $\overline{\text{WAIT}}$ signal can be input asynchronously to CLKOUT, and is sampled at the falling edge of the clock in the T2 and TW states of the bus cycle. If the setup/hold time of the sampling timing is not satisfied, a wait state is inserted in the next state, or not inserted at all.

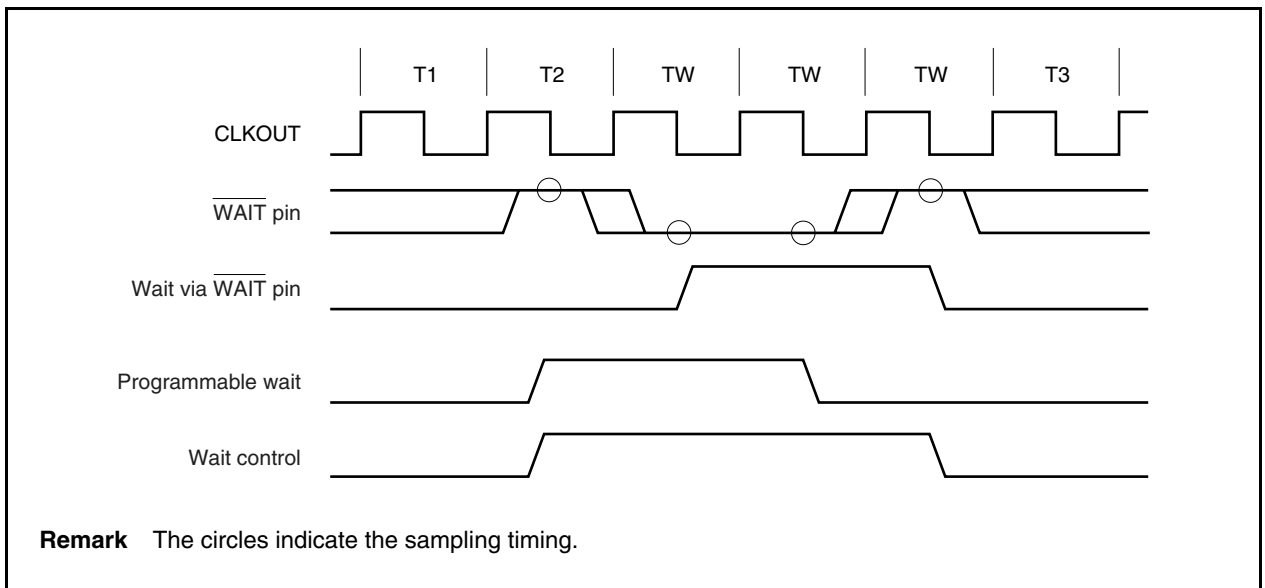
5.5.3 Relationship between programmable wait and external wait

Wait cycles are inserted as the result of an OR operation between the wait cycles specified by the set value of the programmable wait and the wait cycles controlled by the $\overline{\text{WAIT}}$ pin.



For example, if the timing of the programmable wait and the $\overline{\text{WAIT}}$ pin signal is as illustrated below, three wait states will be inserted in the bus cycle.

Figure 5-3. Inserting Wait Example



5.5.4 Programmable address wait function

Address-setup or address-hold waits to be inserted in each bus cycle can be set by using the AWC register. Address wait insertion is set for each chip select area ($\overline{CS0}$ to $\overline{CS3}$).

If an address setup wait is inserted, it seems that the high-clock period of the T1 state is extended by 1 clock. If an address hold wait is inserted, it seems that the low-clock period of the T1 state is extended by 1 clock.

(1) Address wait control register (AWC)

The AWC register can be read or written in 16-bit units.

Reset sets this register to FFFFH.

- Cautions**
- 1. Address setup wait and address hold wait cycles are not inserted when the internal ROM area, internal RAM area, and on-chip peripheral I/O areas are accessed.**
 - 2. Write to the AWC register after reset, and then do not change the set values. Also, do not access an external memory area until the initial settings of the AWC register are complete.**

After reset: FFFFH R/W Address: FFFFF488H

	15	14	13	12	11	10	9	8
AWC	1	1	1	1	1	1	1	1
	7	6	5	4	3	2	1	0
	AHW3 ASW3		AHW2 ASW2		AHW1 ASW1		AHW0 ASW0	
	$\overline{CS3}$		$\overline{CS2}$		$\overline{CS1}$		$\overline{CS0}$	

AHW _n	Specifies insertion of address hold wait (n = 0 to 3)
0	Not inserted
1	Inserted

ASW _n	Specifies insertion of address setup wait (n = 0 to 3)
0	Not inserted
1	Inserted

Caution Be sure to set bits 15 to 8 to “1”.

5.6 Idle State Insertion Function

To facilitate interfacing with low-speed memories, one idle state (TI) can be inserted after the T3 state in the bus cycle that is executed for each space selected by the chip select function. By inserting an idle state, the data output float delay time of the memory can be secured during read access (an idle state cannot be inserted during write access).

Whether the idle state is to be inserted can be programmed by using the BCC register.

An idle state is inserted for all the areas immediately after system reset.

(1) Bus cycle control register (BCC)

The BCC register can be read or written in 16-bit units.

Reset sets this register to AAAAH.

- Cautions**
1. The internal ROM, internal RAM, and on-chip peripheral I/O areas are not subject to idle state insertion.
 2. Write to the BCC register after reset, and then do not change the set values. Also, do not access an external memory area until the initial settings of the BCC register are complete.

After reset: AAAAH		R/W	Address: FFFFF48AH					
	15	14	13	12	11	10	9	8
BCC	1	0	1	0	1	0	1	0
	7	6	5	4	3	2	1	0
	BC31	0	BC21	0	BC11	0	BC01	0
	CS3		CS2		CS1		CS0	
BCn1	Specifies insertion of idle state (n = 0 to 3)							
0	Not inserted							
1	Inserted							

Caution Be sure to set bits 15, 13, 11, and 9 to “1”, and clear bits 14, 12, 10, 8, 6, 4, 2, and 0 to “0”.

5.7 Bus Hold Function

5.7.1 Functional outline

The $\overline{\text{HLDRQ}}$ and $\overline{\text{HLDAK}}$ functions are valid if the PCM2 and PCM3 pins are set in the control mode.

When the $\overline{\text{HLDRQ}}$ pin is asserted (low level), indicating that another bus master has requested bus mastership, the external address/data bus goes into a high-impedance state and is released (bus hold status). If the request for the bus mastership is cleared and the $\overline{\text{HLDRQ}}$ pin is deasserted (high level), driving these pins is started again.

During the bus hold period, execution of the program in the internal ROM and internal RAM is continued until an on-chip peripheral I/O register or the external memory is accessed.

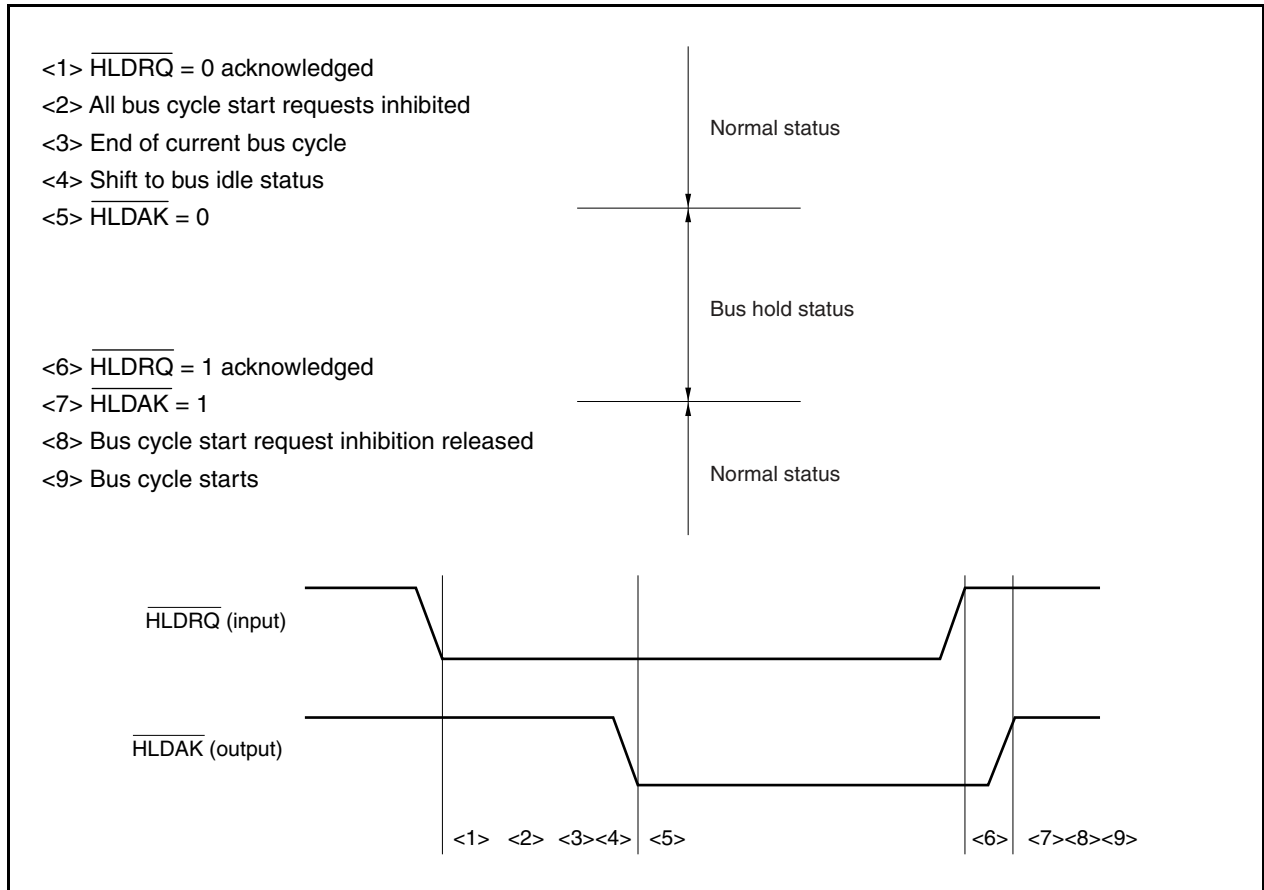
The bus hold status is indicated by assertion of the $\overline{\text{HLDAK}}$ pin (low level). The bus hold function enables the configuration of multi-processor type systems in which two or more bus masters exist.

Note that the bus hold request is not acknowledged during a multiple-access cycle initiated by the bus sizing function or a bit manipulation instruction.

Status	Data Bus Width	Access Type	Timing at Which Bus Hold Request Is Not Acknowledged
CPU bus lock	16 bits	Word access to even address	Between first and second access
		Word access to odd address	Between first and second access Between second and third access
		Halfword access to odd address	Between first and second access
	8 bits	Word access	Between first and second access
			Between second and third access
			Between third and fourth access
		Halfword access	Between first and second access
Read-modify-write access of bit manipulation instruction	–	–	Between read access and write access

5.7.2 Bus hold procedure

The bus hold status transition procedure is shown below.



5.7.3 Operation in power save mode

Because the internal system clock is stopped in the STOP, IDLE1, IDLE2, and sub-IDLE modes, the bus hold status is not entered even if the $\overline{\text{HLDQRQ}}$ pin is asserted.

In the HALT mode, the $\overline{\text{HLDARQ}}$ pin is asserted as soon as the $\overline{\text{HLDQRQ}}$ pin has been asserted, and the bus hold status is entered. When the $\overline{\text{HLDQRQ}}$ pin is later deasserted, the $\overline{\text{HLDARQ}}$ pin is also deasserted, and the bus hold status is cleared.

5.8 Bus Priority

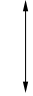
Bus hold, DMA transfer, operand data accesses, instruction fetch (branch), and instruction fetch (successive) are executed in the external bus cycle.

Bus hold has the highest priority, followed by DMA transfer, operand data access, instruction fetch (branch), and instruction fetch (successive).

An instruction fetch may be inserted between the read access and write access in a read-modify-write access.

If an instruction is executed for two or more accesses, an instruction fetch and bus hold are not inserted between accesses due to bus size limitations.

Table 5-3. Bus Priority

Priority	External Bus Cycle	Bus Master
High  Low	Bus hold	External device
	DMA transfer	DMAC
	Operand data access	CPU
	Instruction fetch (branch)	CPU
	Instruction fetch (successive)	CPU

5.9 Bus Timing

Figure 5-4. Bus Read Timing (Bus Size: 16 Bits, 16-Bit Access)

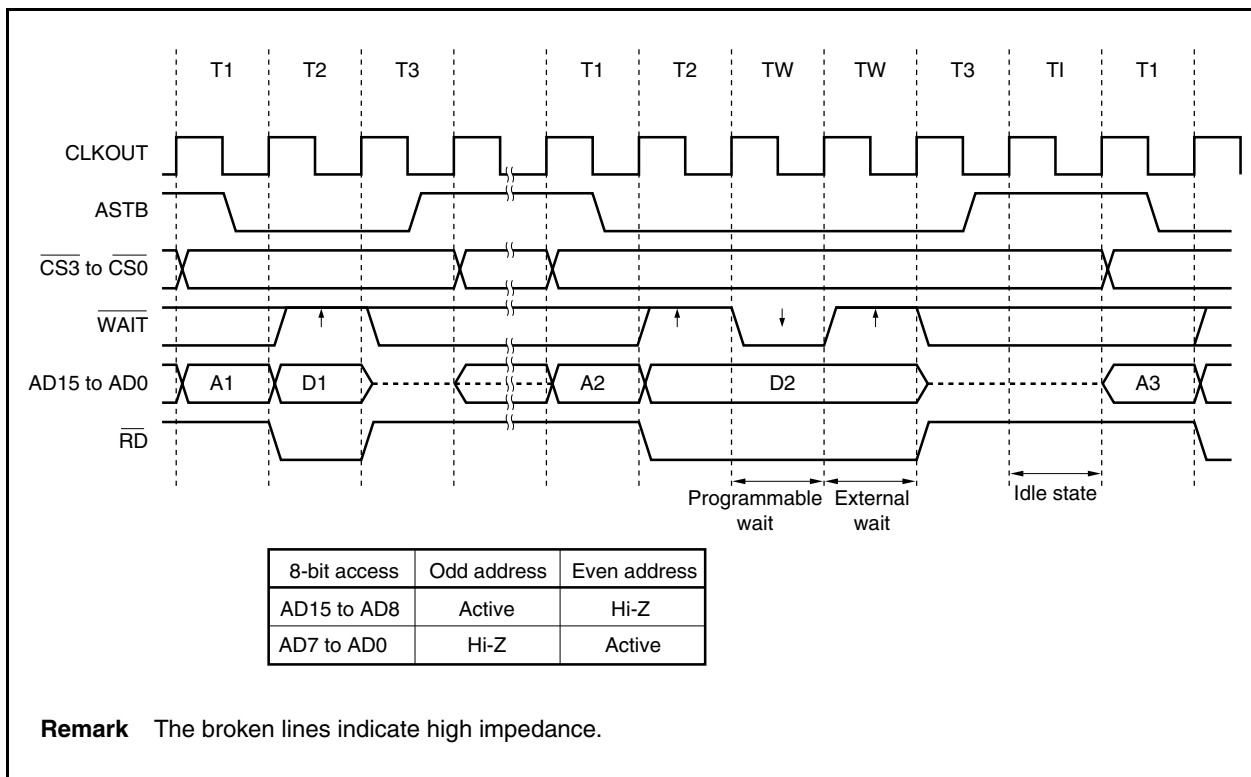


Figure 5-5. Bus Read Timing (Bus Size: 8 Bits)

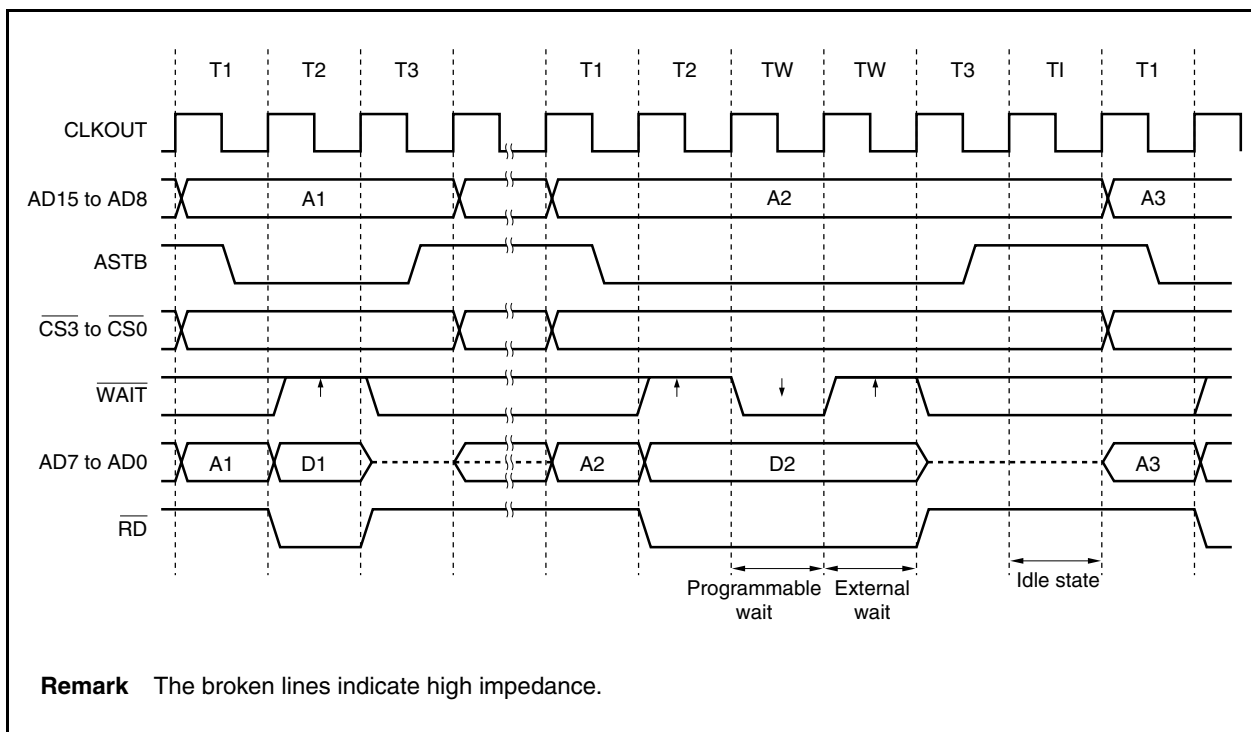


Figure 5-6. Bus Write Timing (Bus Size: 16 Bits, 16-Bit Access)

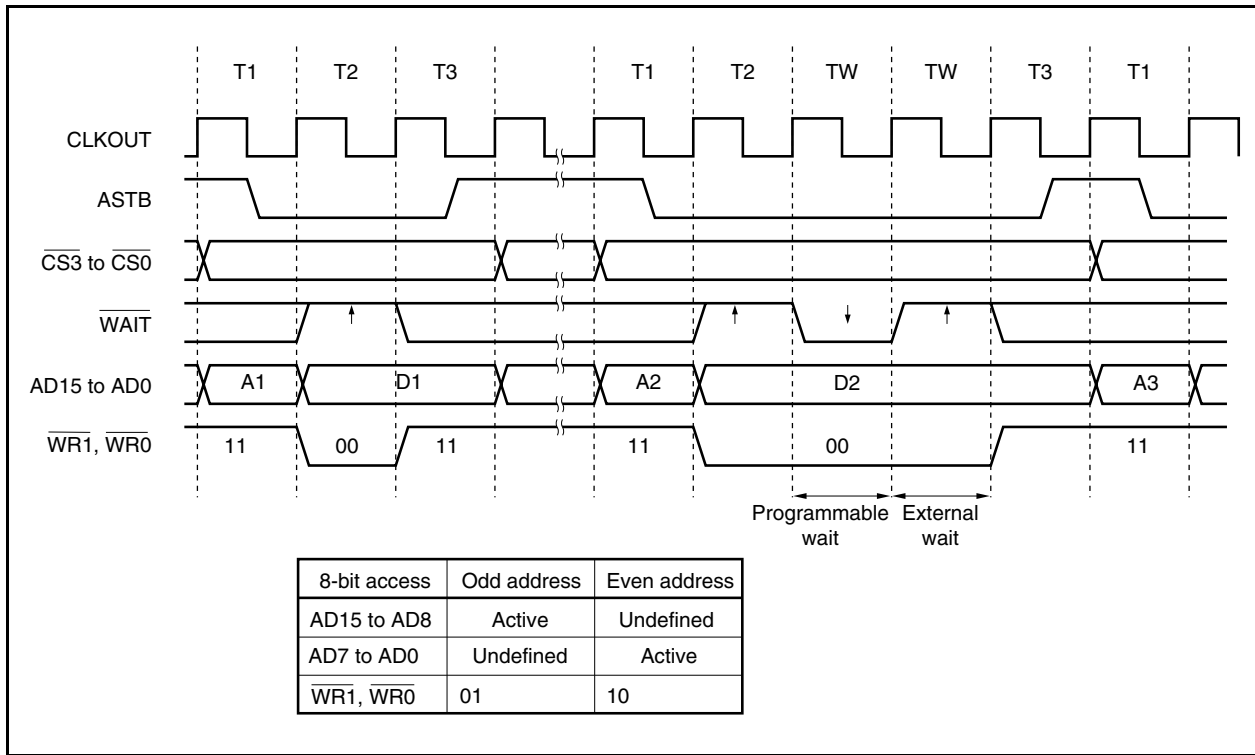


Figure 5-7. Bus Write Timing (Bus Size: 8 Bits)

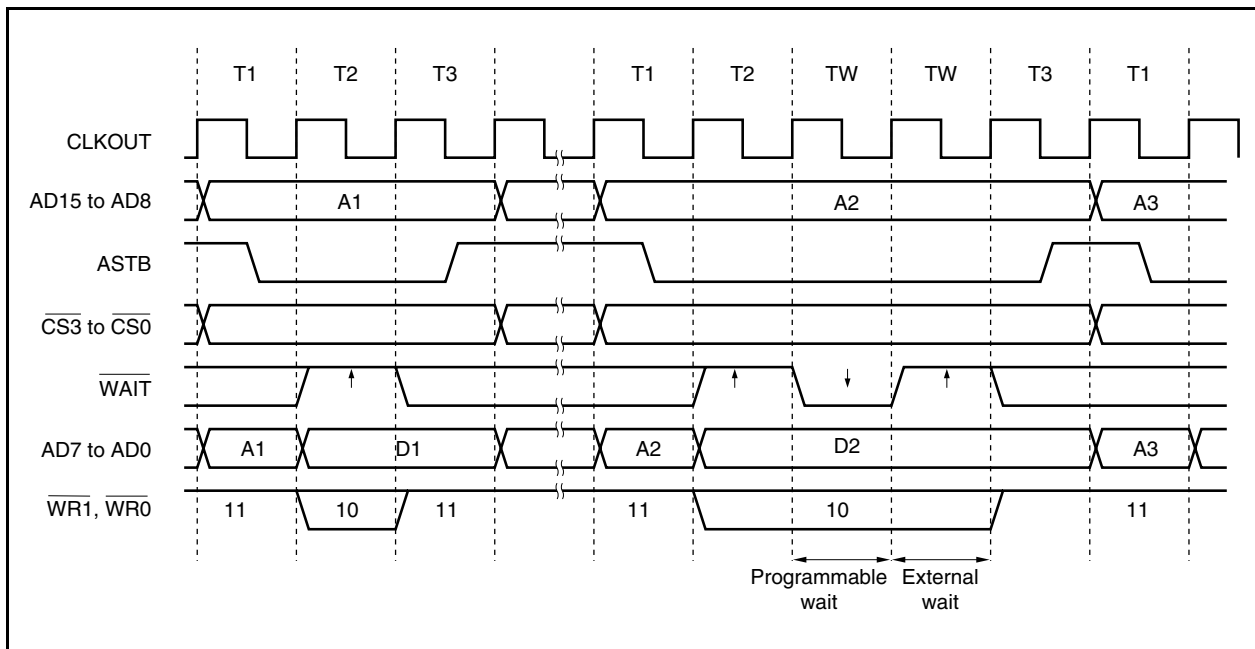


Figure 5-8. Bus Hold Timing (Bus Size: 16 Bits, 16-Bit Access)

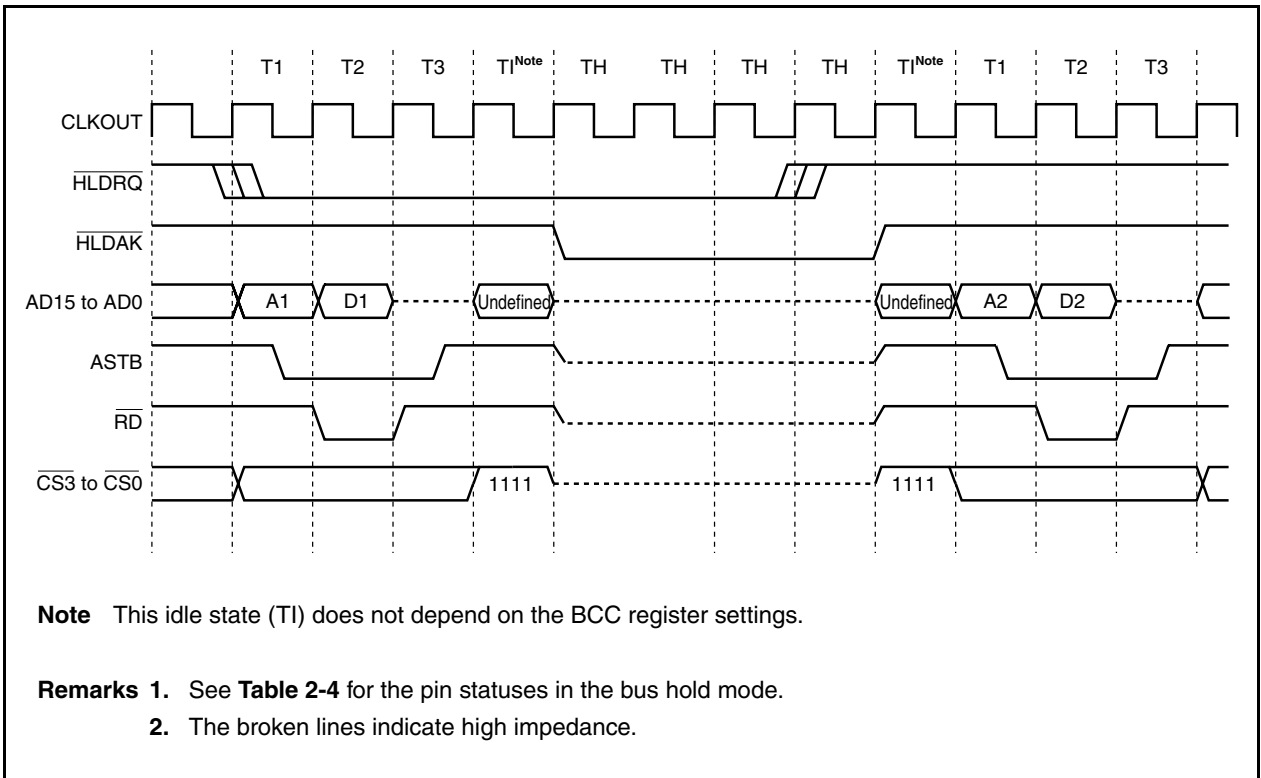
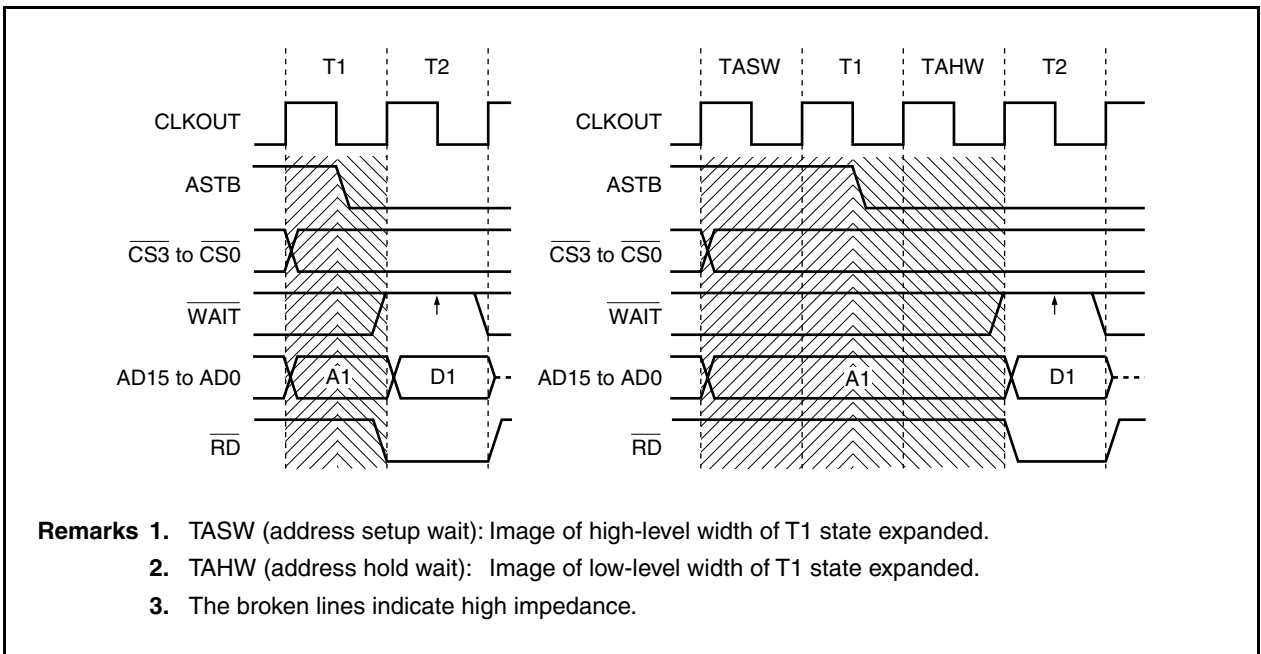


Figure 5-9. Address Wait Timing (Bus Size: 16 Bits, 16-Bit Access)



CHAPTER 6 CLOCK GENERATION FUNCTION

6.1 Overview

The following clock generation functions are available.

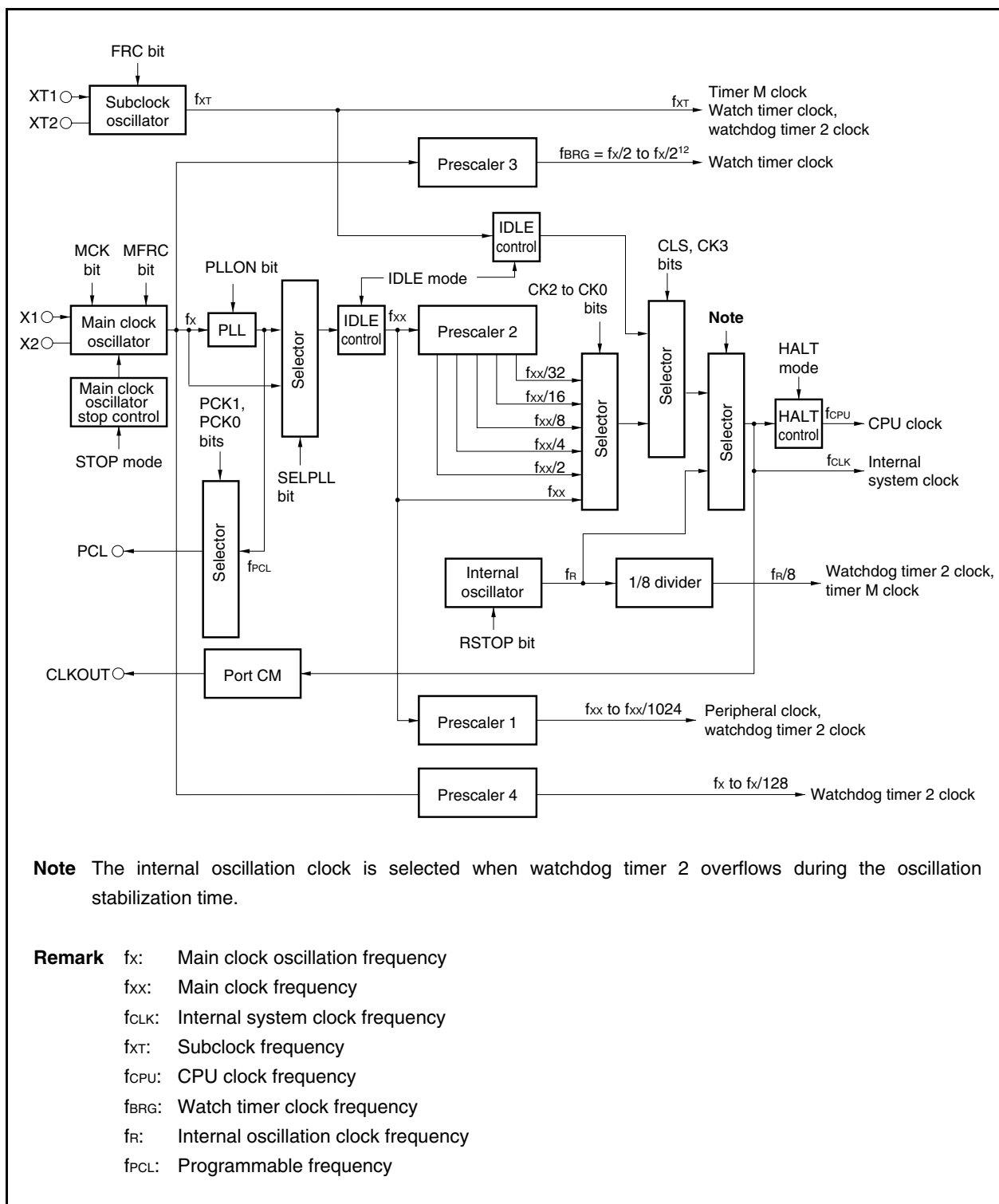
- Main clock oscillator
 - In clock-through mode
 $f_x = 4$ to 5 MHz ($f_{xx} = 4$ to 5 MHz)
 - In PLL mode
 $f_x = 4$ to 5 MHz ($f_{xx} = 16$ to 20 MHz)
- Subclock oscillator (crystal oscillation or RC oscillation selectable by option byte function)
 - $f_{XT} = 32.768$ kHz (crystal resonator)
 - $f_{XT} = 20$ kHz (RC oscillator)
- Multiply ($\times 4$) function by PLL (Phase Locked Loop)
 - Clock-through mode/PLL mode selectable
- Internal oscillator
 - $f_R = 200$ kHz (TYP.)
- Internal system clock generation
 - 7 steps (f_{xx} , $f_{xx}/2$, $f_{xx}/4$, $f_{xx}/8$, $f_{xx}/16$, $f_{xx}/32$, f_{XT})
- Peripheral clock generation
- Clock output function
- Programmable clock (PCL) output function

Remark f_x : Main clock oscillation frequency
 f_{xx} : Main clock frequency
 f_R : Internal oscillation clock frequency
 f_{XT} : Subclock frequency

6.2 Configuration

<R>

Figure 6-1. Clock Generator



(1) Main clock oscillator

The main resonator oscillates the following frequencies (f_x).

- In clock-through mode
 $f_x = 4$ to 5 MHz
- In PLL mode
 $f_x = 4$ to 5 MHz ($f_{xx} = 16$ to 20 MHz)

(2) Subclock oscillator

The sub-resonator oscillates a frequency (f_{xT}) of 32.768 kHz or 20 kHz.

(3) Main clock oscillator stop control

This circuit generates a control signal that stops oscillation of the main clock oscillator.

Oscillation of the main clock oscillator is stopped in the STOP mode or when the PCC.MCK bit = 1 (valid only when the PCC.CLS bit = 1).

(4) Internal oscillator

Oscillates a frequency (f_R) of 200 kHz (TYP.).

(5) Prescaler 1

This circuit generates the clock (f_{xx} to $f_{xx}/1,024$) to be supplied to the following on-chip peripheral functions: TMP0 to TMP3, TMQ0 to TMQ2, TMM0, CSIB0 to CSIB2, UARTA0 to UARTA3^{Note}, ADC, and WDT2

Note UARTA3: μ PD70F3711, 70F3712 only

(6) Prescaler 2

This circuit divides the main clock (f_{xx}).

The clock generated by prescaler 2 (f_{xx} to $f_{xx}/32$) is supplied to the selector that generates the CPU clock (f_{CPU}) and internal system clock (f_{CLK}).

f_{CLK} is the clock supplied to the INTC, ROM, and RAM blocks, and can be output from the CLKOUT pin.

(7) Prescaler 3

This circuit divides the clock generated by the main clock oscillator (f_x) to a specific frequency (32.768 kHz) and supplies that clock to the watch timer block.

For details, see **CHAPTER 10 WATCH TIMER FUNCTIONS**.

(8) Prescaler 4

<R> This circuit generates the clock (f_x to $f_x/128$) to be supplied to on-chip peripheral function.

The block to be supplied is WDT2 only.

(9) PLL

This circuit multiplies the clock generated by the main clock oscillator (f_x) by 4.

It operates in two modes: clock-through mode in which f_x is output as is, and PLL mode in which a multiplied clock is output. These modes can be selected by using the PLLCTL.SELPLL bit.

6.3 Registers

(1) Processor clock control register (PCC)

The PCC register is a special register. Data can be written to this register only in combination of specific sequences (see **3.4.7 Special registers**).

This register can be read or written in 8-bit or 1-bit units.

Reset sets this register to 03H.

After reset: 03H R/W Address: FFFF828H

	7	6	5	4	3	2	1	0
PCC	FRC	MCK	MFRC	CLS ^{Note}	CK3	CK2	CK1	CK0
FRC	Use of subclock on-chip feedback resistor							
0	Used							
1	Not used							
MCK	Main clock oscillator control							
0	Oscillation enabled							
1	Oscillation stopped							
<ul style="list-style-type: none"> • Even if the MCK bit is set (1) while the system is operating with the main clock as the CPU clock, the operation of the main clock does not stop. It stops after the CPU clock has been changed to the subclock. • Before setting the MCK bit from 0 to 1, stop the on-chip peripheral functions operating with the main clock. • When the main clock is stopped and the device is operating with the subclock, clear (0) the MCK bit and secure the oscillation stabilization time by software before switching the CPU clock to the main clock or operating the on-chip peripheral functions. 								
MFRC	Use of main clock on-chip feedback resistor							
0	Used							
1	Not used							
CLS ^{Note}	Status of CPU clock (f_{CPU})							
0	Main clock operation							
1	Subclock operation							
CK3	CK2	CK1	CK0	Clock selection (f_{CLK}/f_{CPU})				
0	0	0	0	f_{XX}				
0	0	0	1	$f_{XX}/2$				
0	0	1	0	$f_{XX}/4$				
0	0	1	1	$f_{XX}/8$				
0	1	0	0	$f_{XX}/16$				
0	1	0	1	$f_{XX}/32$				
0	1	1	×	Setting prohibited				
1	×	×	×	f_{XT}				

Note The CLS bit is a read-only bit.

Cautions 1. Do not change the CPU clock (by using the CK3 to CK0 bits) while CLKOUT is being output.

2. Use a bit manipulation instruction to manipulate the CK3 bit. When using an 8-bit manipulation instruction, do not change the set values of the CK2 to CK0 bits.

Remark ×: don't care

(a) Example of setting main clock operation → subclock operation

- <1> CK3 bit ← 1: Use of a bit manipulation instruction is recommended. Do not change the CK2 to CK0 bits.
- <2> Subclock operation: Read the CLS bit to check if subclock operation has started. It takes the following time after the CK3 bit is set until subclock operation is started.
Max.: $1/f_{XT}$ (1/subclock frequency)
- <3> MCK bit ← 1: Set the MCK bit to 1 only when stopping the main clock.

Cautions 1. When stopping the main clock, stop the PLL. Also stop the operations of the on-chip peripheral functions operating with the main clock.

2. If the following conditions are not satisfied, change the CK2 to CK0 bits so that the conditions are satisfied, then change to the subclock operation mode.

Internal system clock (f_{CLK}) > Subclock (f_{XT}) × 4

Remark Internal system clock (f_{CLK}): Clock generated from the main clock (f_{XX}) by setting bits CK2 to CK0

[Description example]

```

_DMA_DISABLE:
    clr1      0, DCHCn[r0]      -- DMA operation disabled. n = 0 to 3
<1> _SET_SUB_RUN :
    st.b      r0, PRCMD[r0]
    set1      3, PCC[r0]      -- CK3 bit ← 1
<2> _CHECK_CLS :
    tst1      4, PCC[r0]      -- Wait until subclock operation starts.
    bz        _CHECK_CLS
<3> _STOP_MAIN_CLOCK :
    st.b      r0, PRCMD[r0]
    set1      6, PCC[r0]      -- MCK bit ← 1, main clock is stopped.
_DMA_ENABLE:
    set1      0, DCHCn[r0]      -- DMA operation enabled. n = 0 to 3

```

Remark The description above is simply an example. Note that in <2> above, the CLS bit is read in a closed loop.

(b) Example of setting subclock operation → main clock operation

- <1> MCK bit ← 0: Main clock starts oscillating
- <2> Insert waits by the program and wait until the oscillation stabilization time of the main clock elapses.
- <3> CK3 bit ← 0: Use of a bit manipulation instruction is recommended. Do not change the CK2 to CK0 bits.
- <4> Main clock operation: It takes the following time after the CK3 bit is set until main clock operation is started.
 Max.: $1/f_{XT}$ (1/subclock frequency)
 Therefore, insert one NOP instruction immediately after setting the CK3 bit to 0 or read the CLS bit to check if main clock operation has started.

Caution Enable operation of the on-chip peripheral functions operating with the main clock only after the oscillation of the main clock stabilizes. If their operations are enabled before the lapse of the oscillation stabilization time, a malfunction may occur.

[Description example]

```

_DMA_DISABLE:
  clr1      0, DCHCn[r0]          -- DMA operation disabled. n = 0 to 3
<1> _START_MAIN_OSC :
  st.b      r0, PRCMD[r0]        -- Release of protection of special registers
  clr1      6, PCC[r0]           -- Main clock starts oscillating.
<2> movea    0x55, r0, r11       -- Wait for oscillation stabilization time.
  _WAIT_OST :
  nop
  nop
  nop
  addi      -1, r11, r11
  cmp       r0, r11
  bne                      _WAIT_OST
<3> st.b     r0, PRCMD[r0]
  clr1      3, PCC[r0]           -- CK3 ← 0
<4> _CHECK_CLS :
  tst1      4, PCC[r0]          -- Wait until main clock operation starts.
  bnz       _CHECK_CLS
  _DMA_ENABLE:
  set1      0, DCHCn[r0]        -- DMA operation enabled. n = 0 to 3

```

Remark The description above is simply an example. Note that in <4> above, the CLS bit is read in a closed loop.

(2) Internal oscillation mode register (RCM)

The RCM register is an 8-bit register that sets the operation mode of the internal oscillator.

This register can be read or written in 8-bit or 1-bit units.

Reset sets this register to 00H.

After reset: 00H R/W Address: FFFFF80CH

	7	6	5	4	3	2	1	0
RCM	0	0	0	0	0	0	0	RSTOP

RSTOP	Oscillation/stop of internal oscillator
0	Internal oscillator oscillation
1	Internal oscillator stopped

Cautions 1. The settings of the RCM register are valid by setting the option byte.

For details, see CHAPTER 25 OPTION BYTE FUNCTION.

2. The internal oscillator cannot be stopped while the CPU is operating on the internal oscillation clock (CCLS.CCLS_F bit = 1). Do not set the RSTOP bit to 1.
3. The internal oscillator oscillates if the CCLS.CCLS_F bit is set to 1 (when WDT overflow occurs during oscillation stabilization) even when the RSTOP bit is set to 1. At this time, the RSTOP bit remains being set to 1.

(3) CPU operation clock status register (CCLS)

The CCLS register indicates the status of the CPU operation clock.

This register is read-only, in 8-bit or 1-bit units.

Reset sets this register to 00H.

After reset: 00H^{Note} R Address: FFFFF82EH

	7	6	5	4	3	2	1	0
CCLS	0	0	0	0	0	0	0	CCLS _F

CCLS _F	CPU operation clock status
0	Operating on main clock (f _x) or subclock (f _{xT}).
1	Operating on internal oscillation clock (f _R).

Note If WDT overflow occurs during oscillation stabilization after a reset is released, the CCLS_F bit is set to 1 and the reset value is 01H.

6.4 Operation

6.4.1 Operation of each clock

The following table shows the operation status of each clock.

Table 6-1. Operation Status of Each Clock

Register Setting and Operation Status Target Clock	PCC Register								
	CLK Bit = 0, MCK Bit = 0					CLS Bit = 1, MCK Bit = 0		CLS Bit = 1, MCK Bit = 1	
	During Reset	During Oscillation Stabilization Time Count	HALT Mode	IDLE1, IDLE2 Mode	STOP Mode	Subclock Mode	Sub-IDLE Mode	Subclock Mode	Sub-IDLE Mode
Main clock oscillator (fx)	×	○	○	○	×	○	○	×	×
<R> Main system clock (fxx)	×	×	○	×	×	○	×	×	×
Subclock oscillator (fxT)	○	○	○	○	○	○	○	○	○
CPU clock (fCPU)	×	×	×	×	×	○	×	○	×
Internal system clock (fCLK)	×	×	○	×	×	○	×	○	×
Main clock (in PLL mode, fxx)	×	Note 1	○	Note 2	×	○	○	×	×
Peripheral clock (fxx to fxx/1,024)	×	×	○	×	×	○	×	×	×
WT clock (main)	×	×	○	○	×	○	○	×	×
WT clock (sub)	○	○	○	○	○	○	○	○	○
WDT2 clock (internal oscillation)	×	○	○	○	○	○	○	○	○
WDT2 clock (main)	×	×	○	×	×	○	×	×	×

Notes 1. Oscillation starts after time 1/2 of the oscillation stabilization time, and the stable clock is supplied after lockup time.

2. Operable in the IDLE1 mode. Stopped in the IDLE2 mode.

Remark ○: Operable

×: Stopped

6.4.2 Clock output function

The clock output function is used to output the internal system clock (fCLK) from the CLKOUT pin.

The internal system clock (fCLK) is selected by using the PCC.CK3 to PCC.CK0 bits.

The CLKOUT pin functions alternately as the PCM1 pin and functions as a clock output pin if so specified by the control register of port CM.

The status of the CLKOUT pin is the same as the internal system clock in Table 6-1 and the pin can output the clock when it is in the operable status. It outputs a low level in the stopped status. However, the CLKOUT pin is in the port mode (PCM1 pin: input mode) after reset and until it is set in the output mode. Therefore, the status of the pin is Hi-Z.

6.5 PLL Function

6.5.1 Overview

In the V850ES/HJ2, an operating clock that is 4 times higher than the oscillation frequency output by the PLL function or the clock-through mode can be selected as the operating clock of the CPU and on-chip peripheral functions.

When PLL function is used: Input clock = 4 to 5 MHz (output: 16 to 20 MHz)

Clock-through mode: Input clock = 4 to 5 MHz (output: 4 to 5 MHz)

6.5.2 Registers

(1) PLL control register (PLLCTL)

The PLLCTL register is an 8-bit register that controls the PLL function.

This register can be read or written in 8-bit or 1-bit units.

Reset sets this register to 01H.

After reset: 01H		R/W		Address: FFFFF82CH				
	7	6	5	4	3	2	1	0
PLLCTL	0	0	0	0	0	0	SELPLL	PLLON
PLLON	PLL operation stop register							
0	PLL stopped							
1	PLL operating (After PLL operation starts, a lockup time is required for frequency stabilization)							
SELPLL	CPU operation clock selection register							
0	Clock-through mode							
1	PLL mode							

Cautions 1. When the PLLON bit is cleared to 0, the SELPLL bit is automatically cleared to 0 (clock-through mode).

2. The SELPLL bit can be set to 1 only when the PLL clock frequency is stabilized. If not (unlocked), "0" is written to the SELPLL bit if data is written to it.

(2) Lock register (LOCKR)

Phase lock occurs at a given frequency following power application or immediately after the STOP mode is released, and the time required for stabilization is the lockup time (frequency stabilization time). This state until stabilization is called the lockup status, and the stabilized state is called the locked status.

The LOCKR register includes a LOCK bit that reflects the PLL frequency stabilization status.

This register is read-only, in 8-bit or 1-bit units.

Reset sets this register to 00H.

After reset: 00H R Address: FFFF824H

	7	6	5	4	3	2	1	0
LOCKR	0	0	0	0	0	0	0	LOCK

LOCK	PLL lock status check
0	Locked status
1	Unlocked status

Caution The LOCK register does not reflect the lock status of the PLL in real time. The set/clear conditions are as follows.

[Set conditions]

- Upon system reset^{Note}
- In IDLE2 or STOP mode
- Upon setting of PLL stop (clearing of PLLCTL.PLLON bit to 0)
- Upon stopping main clock and using CPU with subclock (setting of PCC.CK3 bit to 1 and setting of PCC.MCK bit to 1)

Note This register is set to 01H by reset and cleared to 00H after the reset has been released and the oscillation stabilization time has elapsed.

[Clear conditions]

- Upon overflow of oscillation stabilization time following reset release (OSTS register default time (see **18.2 (3) Oscillation stabilization time select register (OSTS)**))
- Upon oscillation stabilization timer overflow (time set by OSTS register) following STOP mode release, when the STOP mode was set in the PLL operating status
- Upon PLL lockup time timer overflow (time set by PLLS register) when the PLLCTL.PLLON bit is changed from 0 to 1
- After the setup time inserted upon release of the IDLE2 mode is released (time set by the OSTS register) when the IDLE2 mode is set during PLL operation.

(3) PLL lockup time specification register (PLLS)

The PLLS register is an 8-bit register used to select the PLL lockup time when the PLLCTL.PLLON bit is changed from 0 to 1.

This register can be read or written in 8-bit units.

Reset sets this register to 03H.

After reset: 03H R/W Address: FFFFF6C1H

	7	6	5	4	3	2	1	0
PLLS	0	0	0	0	0	0	PLLS1	PLLS0

PLLS1	PLLS0	Selection of PLL lockup time
0	0	$2^{10}/f_x$
0	1	$2^{11}f_x$
1	0	$2^{12}/f_x$
1	1	$2^{13}/f_x$ (default value)

- Cautions**
1. Set so that the lockup time is 800 μ s or longer.
 2. Do not change the PLLS register setting during the lockup period.

Remark f_x : Main clock oscillation frequency

(4) Programmable clock mode register (PCLM)

The PCLM register is an 8-bit register used to control the PCL output.

This register can be read or written in 8-bit or 1-bit units.

After reset: 00H		R/W	Address: FFFFF82FH					
	7	6	5	4	3	2	1	0
PCLM	0	0	0	PCLE	0	0	PCK1	PCK0

PCLE	Selection of PCL pin output operation
0	PCL pin output disabled (PCL pin is fixed to low level)
1	PCL pin output enabled

Caution Set the port-related control registers (PM, PMC, PFC, and PFCE registers, etc.) first, and then set the PCLE bit to 1.

PCK1	PCK0	Selection of PLL output clock
0	0	$f_{PCL}/2$
0	1	$f_{PCL}/4$
1	0	$f_{PCL}/8$
1	1	$f_{PCL}/16$

Caution Set the PCLE bit to 1 only during PLL operation. To stop the PLL, clear the PCLE bit to 0.

Remark f_{PCL} : Programmable frequency

<R>

6.5.3 Usage

(1) When PLL is used

- After the reset signal has been released, the PLL operates (PLLCTL.PLLON bit = 1), but because the default mode is the clock-through mode (PLLCTL.SELPLL bit = 0), select the PLL mode (SELPLL bit = 1).
- To enable PLL operation, first set the PLLON bit to 1, and then set the SELPLL bit to 1 after the LOCKR.LOCK bit = 0. To stop the PLL, first select the clock-through mode (SELPLL bit = 0), wait for 8 clocks or more, and then stop the PLL (PLLON bit = 0).
- The PLL stops during transition to IDLE2 or STOP mode regardless of the setting and is restored from IDLE2 or STOP mode to the status before transition. The time required for restoration is as follows.
 - (a) When transiting to IDLE2 or STOP mode from the clock through mode
 - STOP mode: Set the OSTS register so that the oscillation stabilization time is 1 ms (min.) or longer.
 - IDLE2 mode: Set the OSTS register so that the setup time is 350 μ s (min.) or longer.
 - (b) When shifting to the IDLE 2 or STOP mode while remaining in the PLL operation mode
 - STOP mode: Set the OSTS register so that the oscillation stabilization time is 1 ms (min.) or longer.
 - IDLE2 mode: Set the OSTS register so that the setup time is 800 μ s (min.) or longer.

When shifting to the IDLE1 mode, the PLL does not stop. Stop the PLL if necessary.

(2) When PLL is not used

- The clock-through mode (SELPLL bit = 0) is selected after the reset signal has been released, but the PLL is operating (PLLON bit = 1) and must therefore be stopped (PLLON bit = 0).

CHAPTER 7 16-BIT TIMER/EVENT COUNTER P (TMP)

Timer P (TMP) is a 16-bit timer/event counter.

The V850ES/HJ2 has four timer/event counter channels, TMP0 to TMP3.

7.1 Overview

An outline of TMP_n is shown below.

- Clock selection: 8 ways
- Capture/trigger input pins: 2
- External event count input pins: 1
- External trigger input pins: 1
- Timer/counters: 1
- Capture/compare registers: 2
- Capture/compare match interrupt request signals: 2
- Timer output pins: 2

Remark n = 0 to 3

7.2 Functions

TMP_n has the following functions.

- Interval timer
- External event counter
- External trigger pulse output
- One-shot pulse output
- PWM output
- Free-running timer
- Pulse width measurement

Remark n = 0 to 3

7.3 Configuration

TMPn includes the following hardware.

Table 7-1. Configuration of TMPn

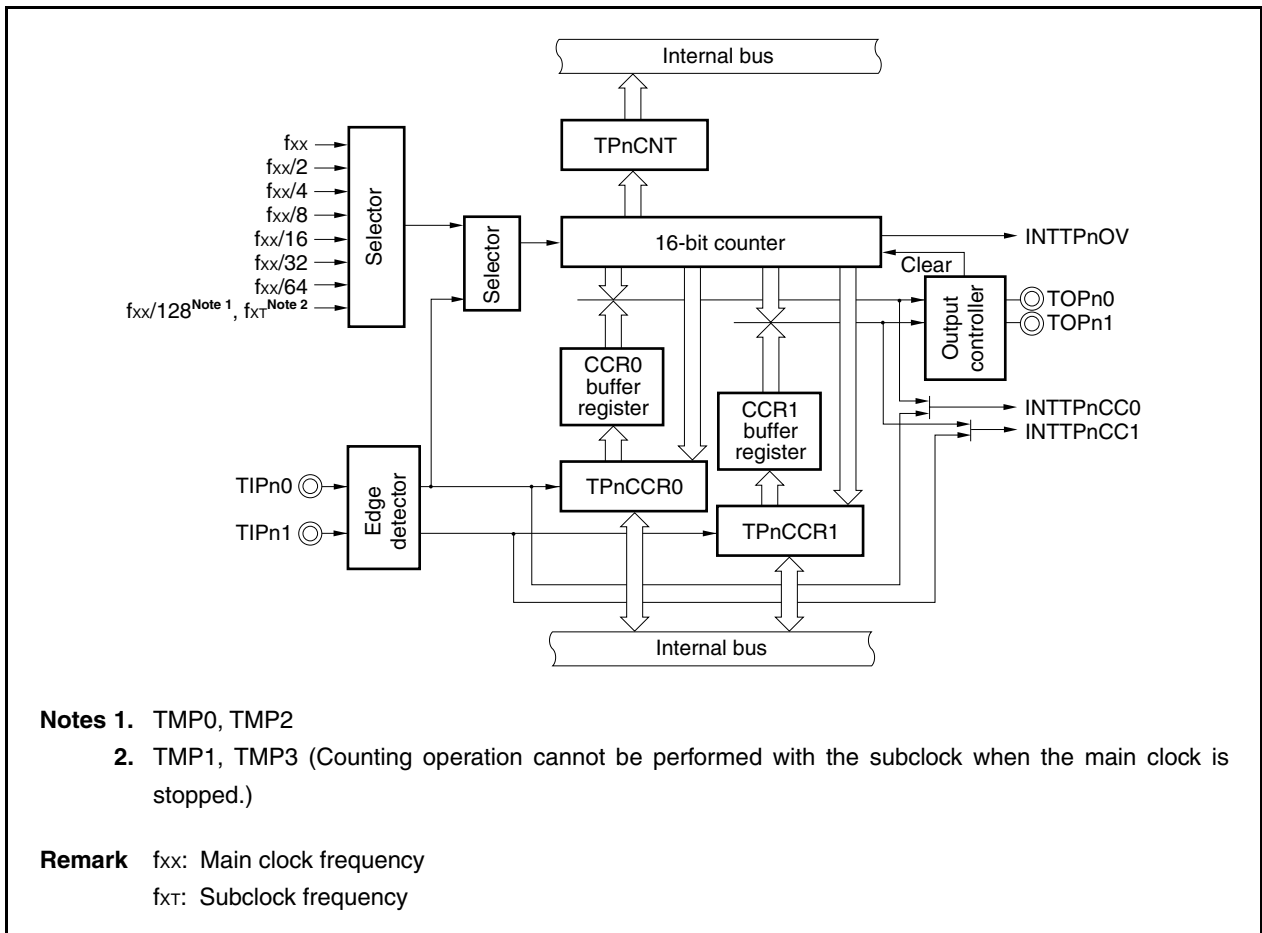
Item	Configuration
Timer register	16-bit counter
Registers	TMPn capture/compare registers 0, 1 (TPnCCR0, TPnCCR1) TMPn counter read buffer register (TPnCNT) CCR0, CCR1 buffer registers
Timer inputs	2 (TIPn0 ^{Note 1} , TIPn1 pins)
Timer outputs	2 (TOPn0, TOPn1 pins)
Control registers ^{Note 2}	TMPn control registers 0, 1 (TPnCTL0, TPnCTL1) TMPn I/O control registers 0 to 2 (TPnIOC0 to TPnIOC2) TMPn option register 0 (TPnOPT0)

Notes 1. The TIPn0 pin functions alternately as a capture trigger input signal, external event count input signal, and external trigger input signal.

2. When using the functions of the TIPn0, TIPn1, TOPn0, and TOPn1 pins, see **Table 4-19 Using Port Pin as Alternate-Function Pin.**

Remark n = 0 to 3

Figure 7-1. Block Diagram of TMPn



Notes 1. TMP0, TMP2

2. TMP1, TMP3 (Counting operation cannot be performed with the subclock when the main clock is stopped.)

Remark f_{xx}: Main clock frequency
f_{xT}: Subclock frequency

(1) 16-bit counter

This 16-bit counter can count internal clocks or external events.

The count value of this counter can be read by using the TPnCNT register.

When the TPnCTL0.TPnCE bit = 0, the value of the 16-bit counter is FFFFH. If the TPnCNT register is read at this time, 0000H is read.

Reset sets the TPnCE bit to 0. Therefore, the 16-bit counter is set to FFFFH.

(2) CCR0 buffer register

This is a 16-bit compare register that compares the count value of the 16-bit counter.

When the TPnCCR0 register is used as a compare register, the value written to the TPnCCR0 register is transferred to the CCR0 buffer register. When the count value of the 16-bit counter matches the value of the CCR0 buffer register, a compare match interrupt request signal (INTTPnCC0) is generated.

The CCR0 buffer register cannot be read or written directly.

The CCR0 buffer register is cleared to 0000H after reset, as the TPnCCR0 register is cleared to 0000H.

(3) CCR1 buffer register

This is a 16-bit compare register that compares the count value of the 16-bit counter.

When the TPnCCR1 register is used as a compare register, the value written to the TPnCCR1 register is transferred to the CCR1 buffer register. When the count value of the 16-bit counter matches the value of the CCR1 buffer register, a compare match interrupt request signal (INTTPnCC1) is generated.

The CCR1 buffer register cannot be read or written directly.

The CCR1 buffer register is cleared to 0000H after reset, as the TPnCCR1 register is cleared to 0000H.

(4) Edge detector

This circuit detects the valid edges input to the TIPn0 and TIPn1 pins. No edge, rising edge, falling edge, or both the rising and falling edges can be selected as the valid edge by using the TPnIOC1 and TPnIOC2 registers.

(5) Output controller

This circuit controls the output of the TOPn0 and TOPn1 pins. The output controller is controlled by the TPnIOC0 register.

(6) Selector

This selector selects the count clock for the 16-bit counter. Eight types of internal clocks or an external event can be selected as the count clock.

7.4 Registers

The registers that control TMPn are as follows.

- TMPn control register 0 (TPnCTL0)
- TMPn control register 1 (TPnCTL1)
- TMPn I/O control register 0 (TPnIOC0)
- TMPn I/O control register 1 (TPnIOC1)
- TMPn I/O control register 2 (TPnIOC2)
- TMPn option register 0 (TPnOPT0)
- TMPn capture/compare register 0 (TPnCCR0)
- TMPn capture/compare register 1 (TPnCCR1)
- TMPn counter read buffer register (TPnCNT)

Remarks 1. When using the functions of the TIPn0, TIPn1, TOPn0, and TOPn1 pins, see **Table 4-19 Register Settings to Use Port Pins as Alternate-Function Pins.**

2. n = 0 to 3

(1) TMPn control register 0 (TPnCTL0)

The TPnCTL0 register is an 8-bit register that controls the operation of TMPn.

This register can be read or written in 8-bit or 1-bit units.

Reset sets this register to 00H.

The same value can always be written to the TPnCTL0 register by software.

After reset: 00H R/W Address: TP0CTL0 FFFFF590H, TP1CTL0 FFFFF5A0H,
TP2CTL0 FFFFF5B0H, TP3CTL0 FFFFF5C0H

	7	6	5	4	3	2	1	0
TPnCTL0	TPnCE	0	0	0	0	TPnCKS2	TPnCKS1	TPnCKS0

(n = 0 to 3)

TPnCE	TMPn operation control
0	TMPn operation disabled (TMPn reset asynchronously ^{Note 1}).
1	TMPn operation enabled. TMPn operation started.

TPnCKS2	TPnCKS1	TPnCKS0	Internal count clock selection	
			n = 0, 2	n = 1, 3
0	0	0	f _{xx}	
0	0	1	f _{xx} /2	
0	1	0	f _{xx} /4	
0	1	1	f _{xx} /8	
1	0	0	f _{xx} /16	
1	0	1	f _{xx} /32	
1	1	0	f _{xx} /64	
1	1	1	f _{xx} /128	f _{xt} ^{Note 2}

Notes 1. TPn0PT0.TPnOVF bit, 16-bit counter, timer output (TOPn0, TOPn1 pins)

2. Counting operation cannot be performed with the subclock when the main clock is stopped.

Cautions 1. Set the TPnCKS2 to TPnCKS0 bits when the TPnCE bit = 0.

When the value of the TPnCE bit is changed from 0 to 1, the TPnCKS2 to TPnCKS0 bits can be set simultaneously.

2. Be sure to clear bits 3 to 6 to “0”.

Remark f_{xx}: Main clock frequency

f_{xt}: Subclock frequency

(2) TMPn control register 1 (TPnCTL1)

The TPnCTL1 register is an 8-bit register that controls the operation of TMPn.

This register can be read or written in 8-bit or 1-bit units.

Reset sets this register to 00H.

(1/2)

After reset: 00H R/W Address: TP0CTL1 FFFFF591H, TP1CTL1 FFFFF5A1H,
TP2CTL1 FFFFF5B1H, TP3CTL1 FFFFF5C1H

	7	6	5	4	3	2	1	0
TPnCTL1 (n = 0 to 3)	TPnSYE	TPnEST	TPnEEE	0	0	TPnMD2	TPnMD1	TPnMD0

TPnSYE	Tuned operation mode enable control													
0	Independent operation mode (asynchronous operation mode)													
1	Tuned operation mode (specification of slave operation) In this mode, timer P can operate in synchronization with a master timer.													
	<table border="1"> <thead> <tr> <th>Master timer</th> <th colspan="2">Slave timer</th> </tr> </thead> <tbody> <tr> <td>TMP0</td> <td>TMP1</td> <td>–</td> </tr> <tr> <td>TMP2</td> <td>TMP3</td> <td>TMQ0</td> </tr> <tr> <td>TMQ1</td> <td>TMQ2</td> <td>–</td> </tr> </tbody> </table>		Master timer	Slave timer		TMP0	TMP1	–	TMP2	TMP3	TMQ0	TMQ1	TMQ2	–
Master timer	Slave timer													
TMP0	TMP1	–												
TMP2	TMP3	TMQ0												
TMQ1	TMQ2	–												
	For the tuned operation mode, see 7.6 Timer Tuned Operation Function .													
	Caution Be sure to clear the TP0SYE and TP2SYE bits to 0.													

TPnEST	Software trigger control
0	–
1	Generate a valid signal for external trigger input. <ul style="list-style-type: none"> • In one-shot pulse output mode: A one-shot pulse is output with writing 1 to the TPnEST bit as the trigger. • In external trigger pulse output mode: A PWM waveform is output with writing 1 to the TPnEST bit as the trigger.

Cautions 1. The TPnEST bit is valid only in the external trigger pulse output mode or one-shot pulse output mode. In any other mode, writing 1 to this bit is ignored.

2. Be sure to clear bits 3 and 4 to “0”.

TPnEEE	Count clock selection
0	Disable operation with external event count input. (Perform counting with the count clock selected by the TPnCTL0.TPnCK0 to TPnCK2 bits.)
1	Enable operation with external event count input. (Perform counting at the valid edge of the external event count input signal.)

The TPnEEE bit selects whether counting is performed with the internal count clock or the valid edge of the external event count input.

TPnMD2	TPnMD1	TPnMD0	Timer mode selection
0	0	0	Interval timer mode
0	0	1	External event count mode
0	1	0	External trigger pulse output mode
0	1	1	One-shot pulse output mode
1	0	0	PWM output mode
1	0	1	Free-running timer mode
1	1	0	Pulse width measurement mode
1	1	1	Setting prohibited

- Cautions**
- External event count input is selected in the external event count mode regardless of the value of the TPnEEE bit.
 - Set the TPnEEE and TPnMD2 to TPnMD0 bits when the TPnCTL0.TPnCE bit = 0. (The same value can be written when the TPnCE bit = 1.) The operation is not guaranteed when rewriting is performed with the TPnCE bit = 1. If rewriting was mistakenly performed, clear the TPnCE bit to 0 and then set the bits again.

<R>

(3) TMPn I/O control register 0 (TPnIOC0)

The TPnIOC0 register is an 8-bit register that controls the timer output (TOPn0, TOPn1 pins). This register can be read or written in 8-bit or 1-bit units. Reset sets this register to 00H.

After reset: 00H R/W Address: TP0IOC0 FFFFF592H, TP1IOC0 FFFFF5A2H, TP2IOC0 FFFFF5B2H, TP3IOC0 FFFFF5C2H

	7	6	5	4	3	2	1	0
TPnIOC0 (n = 0 to 3)	0	0	0	0	TPnOL1	TPnOE1	TPnOL0	TPnOE0

TPnOL1	TOPn1 pin output level setting ^{Note}
0	TOPn1 pin output starts at high level
1	TOPn1 pin output starts at low level

TPnOE1	TOPn1 pin output setting
0	Timer output disabled • When TPnOL1 bit = 0: Low level is output from the TOPn1 pin • When TPnOL1 bit = 1: High level is output from the TOPn1 pin
1	Timer output enabled (a square wave is output from the TOPn1 pin).

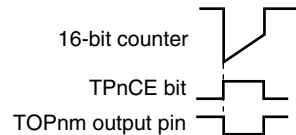
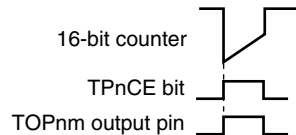
TPnOL0	TOPn0 pin output level setting ^{Note}
0	TOPn0 pin output starts at high level
1	TOPn0 pin output starts at low level

TPnOE0	TOPn0 pin output setting
0	Timer output disabled • When TPnOL0 bit = 0: Low level is output from the TOPn0 pin • When TPnOL0 bit = 1: High level is output from the TOPn0 pin
1	Timer output enabled (a square wave is output from the TOPn0 pin).

Note The output level of the timer output pin (TOPnm) specified by the TPnOLm bit is shown below.

• When TPnOLm bit = 0

• When TPnOLm bit = 1



Cautions 1. Rewrite the TPnOL1, TPnOE1, TPnOL0, and TPnOE0 bits when the TPnCTL0.TPnCE bit = 0. (The same value can be written when the TPnCE bit = 1.) If rewriting was mistakenly performed, clear the TPnCE bit to 0 and then set the bits again.

2. Even if the TPnOLm bit is manipulated when the TPnCE and TPnOEm bits are 0, the TOPnm pin output level varies.

Remark n = 0 to 3, m = 0, 1

(4) TMPn I/O control register 1 (TPnIOC1)

The TPnIOC1 register is an 8-bit register that controls the valid edge of the capture trigger input signals (TIPn0, TIPn1 pins).

This register can be read or written in 8-bit or 1-bit units.

Reset sets this register to 00H.

After reset: 00H R/W Address: TP0IOC1 FFFFF593H, TP1IOC1 FFFFF5A3H,
TP2IOC1 FFFFF5B3H, TP3IOC1 FFFFF5C3H

	7	6	5	4	3	2	1	0
TPnIOC1 (n = 0 to 3)	0	0	0	0	TPnIS3	TPnIS2	TPnIS1	TPnIS0

TPnIS3	TPnIS2	Capture trigger input signal (TIPn1 pin) valid edge setting
0	0	No edge detection (capture operation invalid)
0	1	Detection of rising edge
1	0	Detection of falling edge
1	1	Detection of both edges

TPnIS1	TPnIS0	Capture trigger input signal (TIPn0 pin) valid edge setting
0	0	No edge detection (capture operation invalid)
0	1	Detection of rising edge
1	0	Detection of falling edge
1	1	Detection of both edges

- Cautions**
1. Rewrite the TPnIS3 to TPnIS0 bits when the TPnCTL0.TPnCE bit = 0. (The same value can be written when the TPnCE bit = 1.) If rewriting was mistakenly performed, clear the TPnCE bit to 0 and then set the bits again.
 2. The TPnIS3 to TPnIS0 bits are valid only in the free-running timer mode and the pulse width measurement mode. In all other modes, a capture operation is not possible.

(5) TMPn I/O control register 2 (TPnIOC2)

The TPnIOC2 register is an 8-bit register that controls the valid edge of the external event count input signal (TIPn0 pin) and external trigger input signal (TIPn0 pin).

This register can be read or written in 8-bit or 1-bit units.

Reset sets this register to 00H.

After reset: 00H R/W Address: TP0IOC2 FFFFF594H, TP1IOC2 FFFFF5A4H,
TP2IOC2 FFFFF5B4H, TP3IOC2 FFFFF5C4H

	7	6	5	4	3	2	1	0
TPnIOC2 (n = 0 to 3)	0	0	0	0	TPnEES1	TPnEES0	TPnETS1	TPnETS0

TPnEES1	TPnEES0	External event count input signal (TIPn0 pin) valid edge setting
0	0	No edge detection (external event count invalid)
0	1	Detection of rising edge
1	0	Detection of falling edge
1	1	Detection of both edges

TPnETS1	TPnETS0	External trigger input signal (TIPn0 pin) valid edge setting
0	0	No edge detection (external trigger invalid)
0	1	Detection of rising edge
1	0	Detection of falling edge
1	1	Detection of both edges

- Cautions**
1. Rewrite the TPnEES1, TPnEES0, TPnETS1, and TPnETS0 bits when the TPnCTL0.TPnCE bit = 0. (The same value can be written when the TPnCE bit = 1.) If rewriting was mistakenly performed, clear the TPnCE bit to 0 and then set the bits again.
 2. The TPnEES1 and TPnEES0 bits are valid only when the TPnCTL1.TPnEEE bit = 1 or when the external event count mode (TPnCTL1.TPnMD2 to TPnCTL1.TPnMD0 bits = 001) has been set.
 3. The TPnETS1 and TPnETS0 bits are valid only when the external trigger pulse output mode (TPnCTL1.TPnMD2 to TPnCTL1.TPnMD0 bits = 010) or the one-shot pulse output mode (TPnCTL1.TPnMD2 to TPnCTL1.TPnMD0 = 011) is set.

(6) TMPn option register 0 (TPnOPT0)

The TPnOPT0 register is an 8-bit register used to set the capture/compare operation and detect an overflow.

This register can be read or written in 8-bit or 1-bit units.

Reset sets this register to 00H.

After reset: 00H R/W Address: TP0OPT0 FFFF595H, TP1OPT0 FFFF5A5H,
TP2OPT0 FFFF5B5H, TP3OPT0 FFFF5C5H

	7	6	5	4	3	2	1	0
TPnOPT0 (n = 0 to 3)	0	0	TPnCCS1	TPnCCS0	0	0	0	TPnOVF

TPnCCS1	TPnCCR1 register capture/compare selection
0	Compare register selected
1	Capture register selected
The TPnCCS1 bit setting is valid only in the free-running timer mode.	

TPnCCS0	TPnCCR0 register capture/compare selection
0	Compare register selected
1	Capture register selected
The TPnCCS0 bit setting is valid only in the free-running timer mode.	

TPnOVF	TMPn overflow detection flag
Set (1)	Overflow occurred
Reset (0)	TPnOVF bit 0 written or TPnCTL0.TPnCE bit = 0
<ul style="list-style-type: none"> The TPnOVF bit is set to 1 when the 16-bit counter count value overflows from FFFFH to 0000H in the free-running timer mode or the pulse width measurement mode. An interrupt request signal (INTTPnOV) is generated at the same time that the TPnOVF bit is set to 1. The INTTPnOV signal is not generated in modes other than the free-running timer mode and the pulse width measurement mode. The TPnOVF bit is not cleared even when the TPnOVF bit or the TPnOPT0 register are read when the TPnOVF bit = 1. The TPnOVF bit can be both read and written, but the TPnOVF bit cannot be set to 1 by software. Writing 1 has no influence on the operation of TMPn. 	

- Cautions**
- 1. Rewrite the TPnCCS1 and TPnCCS0 bits when the TPnCE bit = 0. (The same value can be written when the TPnCE bit = 1.) If rewriting was mistakenly performed, clear the TPnCE bit to 0 and then set the bits again.**
 - 2. Be sure to clear bits 1 to 3, 6, and 7 to "0".**

(7) TMPn capture/compare register 0 (TPnCCR0)

The TPnCCR0 register can be used as a capture register or a compare register depending on the mode.

This register can be used as a capture register or a compare register only in the free-running timer mode, depending on the setting of the TPnOPT0.TPnCCS0 bit. In the pulse width measurement mode, the TPnCCR0 register can be used only as a capture register. In any other mode, this register can be used only as a compare register.

The TPnCCR0 register can be read or written during operation.

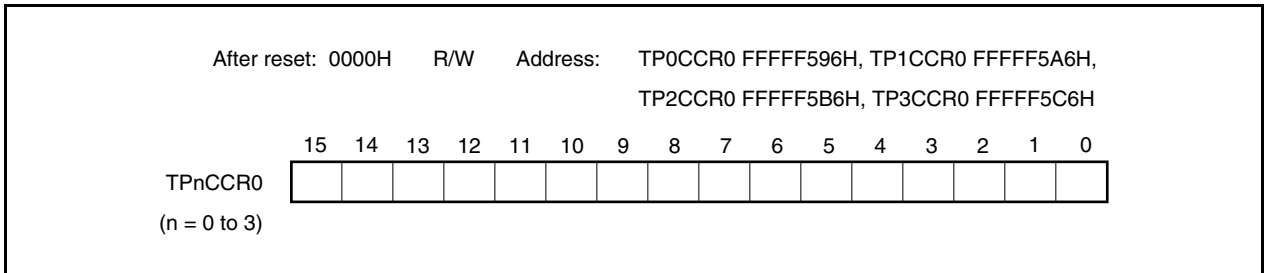
This register can be read or written in 16-bit units.

Reset sets this register to 0000H.

Caution Accessing the TPnCCR0 register is prohibited in the following statuses. For details, see 3.4.8

(2) Accessing specific on-chip peripheral I/O registers.

- When the CPU operates with the subclock and the main clock oscillation is stopped
- When the CPU operates with the internal oscillation clock



(a) Function as compare register

The TPnCCR0 register can be rewritten even when the TPnCTL0.TPnCE bit = 1.

The set value of the TPnCCR0 register is transferred to the CCR0 buffer register. When the value of the 16-bit counter matches the value of the CCR0 buffer register, a compare match interrupt request signal (INTTPnCC0) is generated. If TOPn0 pin output is enabled at this time, the output of the TOPn0 pin is inverted.

When the TPnCCR0 register is used as a cycle register in the interval timer mode, external event count mode, external trigger pulse output mode, one-shot pulse output mode, or PWM output mode, the value of the 16-bit counter is cleared (0000H) if its count value matches the value of the CCR0 buffer register.

(b) Function as capture register

When the TPnCCR0 register is used as a capture register in the free-running timer mode, the count value of the 16-bit counter is stored in the TPnCCR0 register if the valid edge of the capture trigger input pin (TIPn0 pin) is detected. In the pulse-width measurement mode, the count value of the 16-bit counter is stored in the TPnCCR0 register and the 16-bit counter is cleared (0000H) if the valid edge of the capture trigger input pin (TIPn0) is detected.

Even if the capture operation and reading the TPnCCR0 register conflict, the correct value of the TPnCCR0 register can be read.

The following table shows the functions of the capture/compare register in each mode, and how to write data to the compare register.

Table 7-2. Function of Capture/Compare Register in Each Mode and How to Write Compare Register

Operation Mode	Capture/Compare Register	How to Write Compare Register
Interval timer	Compare register	Anytime write
External event counter	Compare register	Anytime write
External trigger pulse output	Compare register	Batch write
One-shot pulse output	Compare register	Anytime write
PWM output	Compare register	Batch write
Free-running timer	Capture/compare register	Anytime write
Pulse width measurement	Capture register	–

(8) TMPn capture/compare register 1 (TPnCCR1)

The TPnCCR1 register can be used as a capture register or a compare register depending on the mode.

This register can be used as a capture register or a compare register only in the free-running timer mode, depending on the setting of the TPnOPT0.TPnCCS1 bit. In the pulse width measurement mode, the TPnCCR1 register can be used only as a capture register. In any other mode, this register can be used only as a compare register.

The TPnCCR1 register can be read or written during operation.

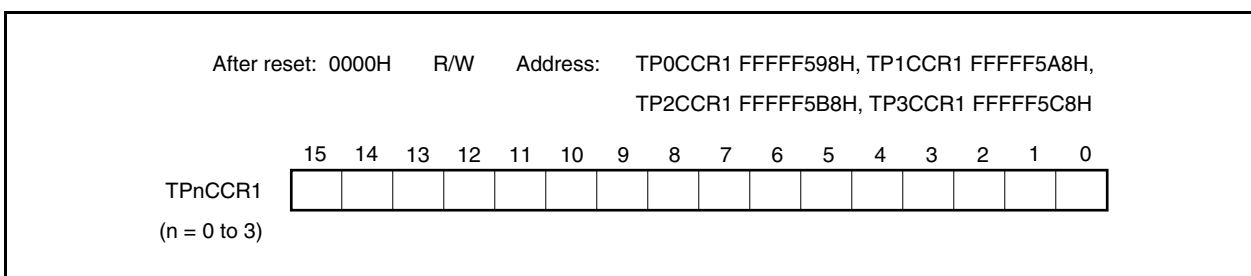
This register can be read or written in 16-bit units.

Reset sets this register to 0000H.

Caution Accessing the TPnCCR1 register is prohibited in the following statuses. For details, see 3.4.8

(2) Accessing specific on-chip peripheral I/O registers.

- When the CPU operates with the subclock and the main clock oscillation is stopped
- When the CPU operates with the internal oscillation clock



(a) Function as compare register

The TPnCCR1 register can be rewritten even when the TPnCTL0.TPnCE bit = 1.

The set value of the TPnCCR1 register is transferred to the CCR1 buffer register. When the value of the 16-bit counter matches the value of the CCR1 buffer register, a compare match interrupt request signal (INTTPnCC1) is generated. If TOPn1 pin output is enabled at this time, the output of the TOPn1 pin is inverted.

(b) Function as capture register

When the TPnCCR1 register is used as a capture register in the free-running timer mode, the count value of the 16-bit counter is stored in the TPnCCR1 register if the valid edge of the capture trigger input pin (TIPn1 pin) is detected. In the pulse-width measurement mode, the count value of the 16-bit counter is stored in the TPnCCR1 register and the 16-bit counter is cleared (0000H) if the valid edge of the capture trigger input pin (TIPn1) is detected.

Even if the capture operation and reading the TPnCCR1 register conflict, the correct value of the TPnCCR1 register can be read.

The following table shows the functions of the capture/compare register in each mode, and how to write data to the compare register.

Table 7-3. Function of Capture/Compare Register in Each Mode and How to Write Compare Register

Operation Mode	Capture/Compare Register	How to Write Compare Register
Interval timer	Compare register	Anytime write
External event counter	Compare register	Anytime write
External trigger pulse output	Compare register	Batch write
One-shot pulse output	Compare register	Anytime write
PWM output	Compare register	Batch write
Free-running timer	Capture/compare register	Anytime write
Pulse width measurement	Capture register	–

(9) TMPn counter read buffer register (TPnCNT)

The TPnCNT register is a read buffer register that can read the count value of the 16-bit counter.

If this register is read when the TPnCTL0.TPnCE bit = 1, the count value of the 16-bit timer can be read.

This register is read-only, in 16-bit units.

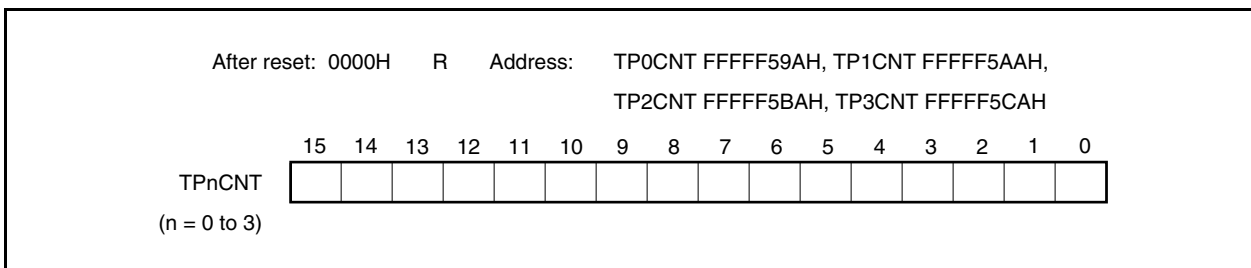
The value of the TPnCNT register is cleared to 0000H when the TPnCE bit = 0. If the TPnCNT register is read at this time, the value of the 16-bit counter (FFFFH) is not read, but 0000H is read.

The value of the TPnCNT register is cleared to 0000H after reset, as the TPnCE bit is cleared to 0.

Caution Accessing the TPnCNT register is prohibited in the following statuses. For details, see 3.4.8

(2) Accessing specific on-chip peripheral I/O registers.

- When the CPU operates with the subclock and the main clock oscillation is stopped
- When the CPU operates with the internal oscillation clock



(10) TIPnm pin noise elimination control register (PnmNFC)

The PnmNFC register is an 8-bit register that sets the digital noise filter of the timer P input pin for noise elimination.

This register can be read or written in 8-bit or 1-bit units.

Reset sets this register to 00H.

After reset: 00H R/W Address: P00NFC : FFFFFFFB00H (TIP00 pin)
 P01NFC : FFFFFFFB04H (TIP01 pin)
 P10NFC : FFFFFFFB08H (TIP10 pin)
 P11NFC : FFFFFFFB0CH (TIP11 pin)
 P20NFC : FFFFFFFB10H (TIP20 pin)
 P21NFC : FFFFFFFB14H (TIP21 pin)
 P30NFC : FFFFFFFB18H (TIP30 pin)
 P31NFC : FFFFFFFB1CH (TIP31 pin)

	7	6	5	4	3	2	1	0
PnmNFC	0	NFSTS	0	0	0	NFC2	NFC1	NFC0

(n = 0 to 3, m = 0, 1)

NFSTS	Setting of number of times of sampling by digital noise filter
0	3 times
1	2 times

NFC2	NFC1	NFC0	Sampling clock	
			n = 0, 2	n = 1, 3
0	0	0	f _{xx}	
0	0	1	f _{xx} /2	
0	1	0	f _{xx} /4	
0	1	1	f _{xx} /16	f _{xx} /8
1	0	0	f _{xx} /32	f _{xx} /16
1	0	1	f _{xx} /64	f _{xT}
Other than above			Setting prohibited	

- Cautions**
1. Be sure to clear bits 3 to 5 and 7 to “0”.
 2. A signal input to the timer input pin (TIPnm) before the PnmNFC register is set is output with digital noise eliminated.
 Therefore, set the sampling clock (NFC2 to NFC0) and the number of times of sampling (NFSTS) by using the PnmNFC register, wait for initialization time = (Sampling clock) × (Number of times of sampling), and enable the timer operation.

Remark The width of the noise that can be accurately eliminated is (Sampling clock) × (Number of times of sampling – 1). Even noise with a width narrower than this may cause a miscount if it is synchronized with the sampling clock.

7.5 Operation

TMPn can perform the following operations.

Operation	TPnCTL1.TPnEST Bit (Software Trigger Bit)	TIPn0 Pin (External Trigger Input)	Capture/Compare Register Setting	Compare Register Write
Interval timer mode	Invalid	Invalid	Compare only	Anytime write
External event count mode ^{Note 1}	Invalid	Invalid	Compare only	Anytime write
External trigger pulse output mode ^{Note 2}	Valid	Valid	Compare only	Batch write
One-shot pulse output mode ^{Note 2}	Valid	Valid	Compare only	Anytime write
PWM output mode	Invalid	Invalid	Compare only	Batch write
Free-running timer mode	Invalid	Invalid	Switching enabled	Anytime write
Pulse width measurement mode ^{Note 2}	Invalid	Invalid	Capture only	Not applicable

- Notes 1.** To use the external event count mode, specify that the valid edge of the TIPn0 pin capture trigger input is not detected (by clearing the TPnIOC1.TPnIS1 and TPnIOC1.TPnIS0 bits to “00”).
- 2.** When using the external trigger pulse output mode, one-shot pulse output mode, and pulse width measurement mode, select the internal clock as the count clock (by clearing the TPnCTL1.TPnEEE bit to 0).

Remark n = 0 to 3

7.5.1 Interval timer mode (TPnMD2 to TPnMD0 bits = 000)

In the interval timer mode, an interrupt request signal (INTTPnCC0) is generated at the specified interval if the TPnCTL0.TPnCE bit is set to 1. A square wave whose half cycle is equal to the interval can be output from the TOPn0 pin.

Usually, the TPnCCR1 register is not used in the interval timer mode.

Figure 7-2. Configuration of Interval Timer

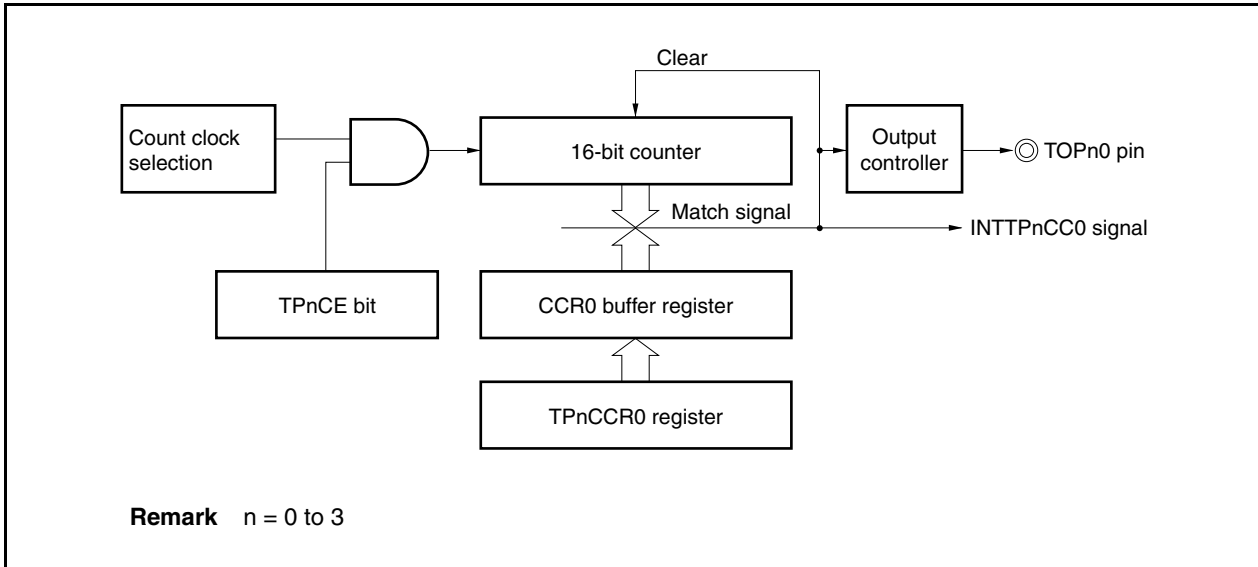
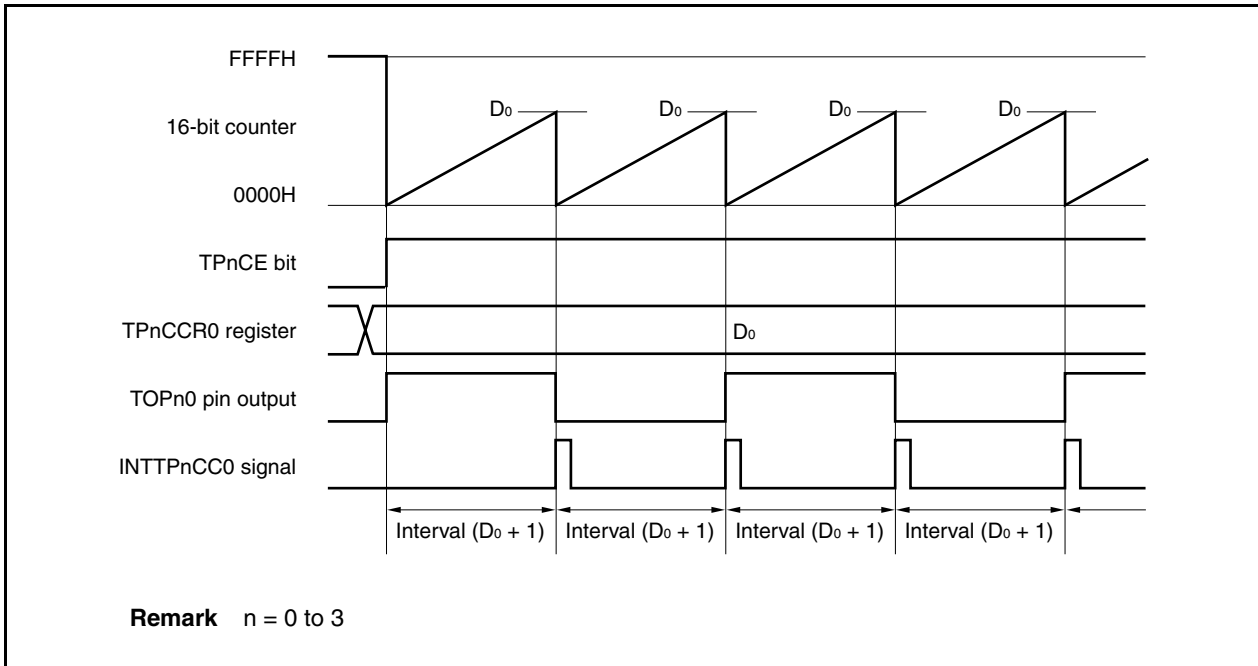


Figure 7-3. Basic Timing of Operation in Interval Timer Mode



When the TPnCE bit is set to 1, the value of the 16-bit counter is cleared from FFFFH to 0000H in synchronization with the count clock, and the counter starts counting. At this time, the output of the TOPn0 pin is inverted. Additionally, the set value of the TPnCCR0 register is transferred to the CCR0 buffer register.

When the count value of the 16-bit counter matches the value of the CCR0 buffer register, the 16-bit counter is cleared to 0000H, the output of the TOPn0 pin is inverted, and a compare match interrupt request signal (INTTPnCC0) is generated.

The interval can be calculated by the following expression.

$$\text{Interval} = (\text{Set value of TPnCCR0 register} + 1) \times \text{Count clock cycle}$$

Remark n = 0 to 3

Figure 7-4. Register Setting for Interval Timer Mode Operation (1/2)

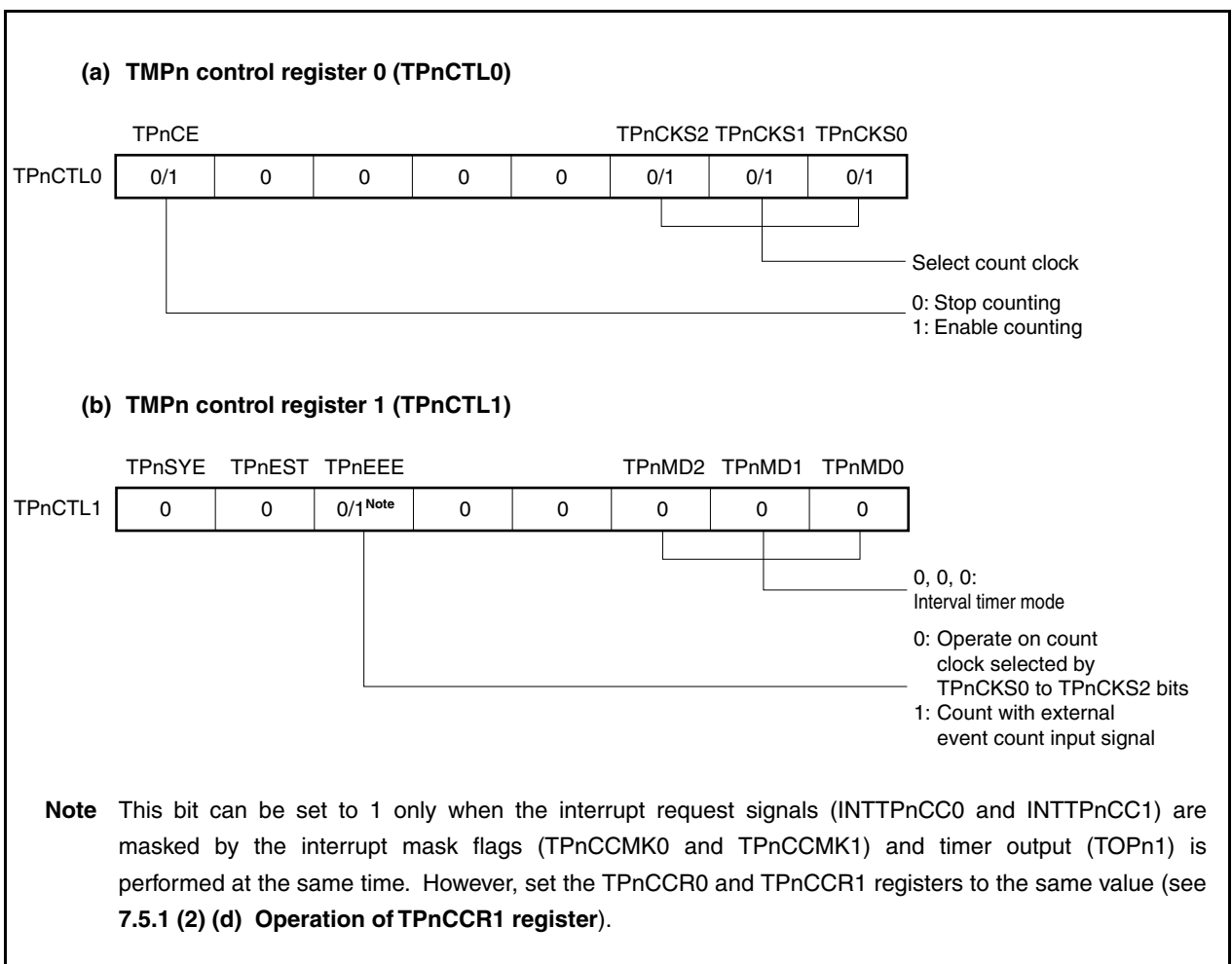
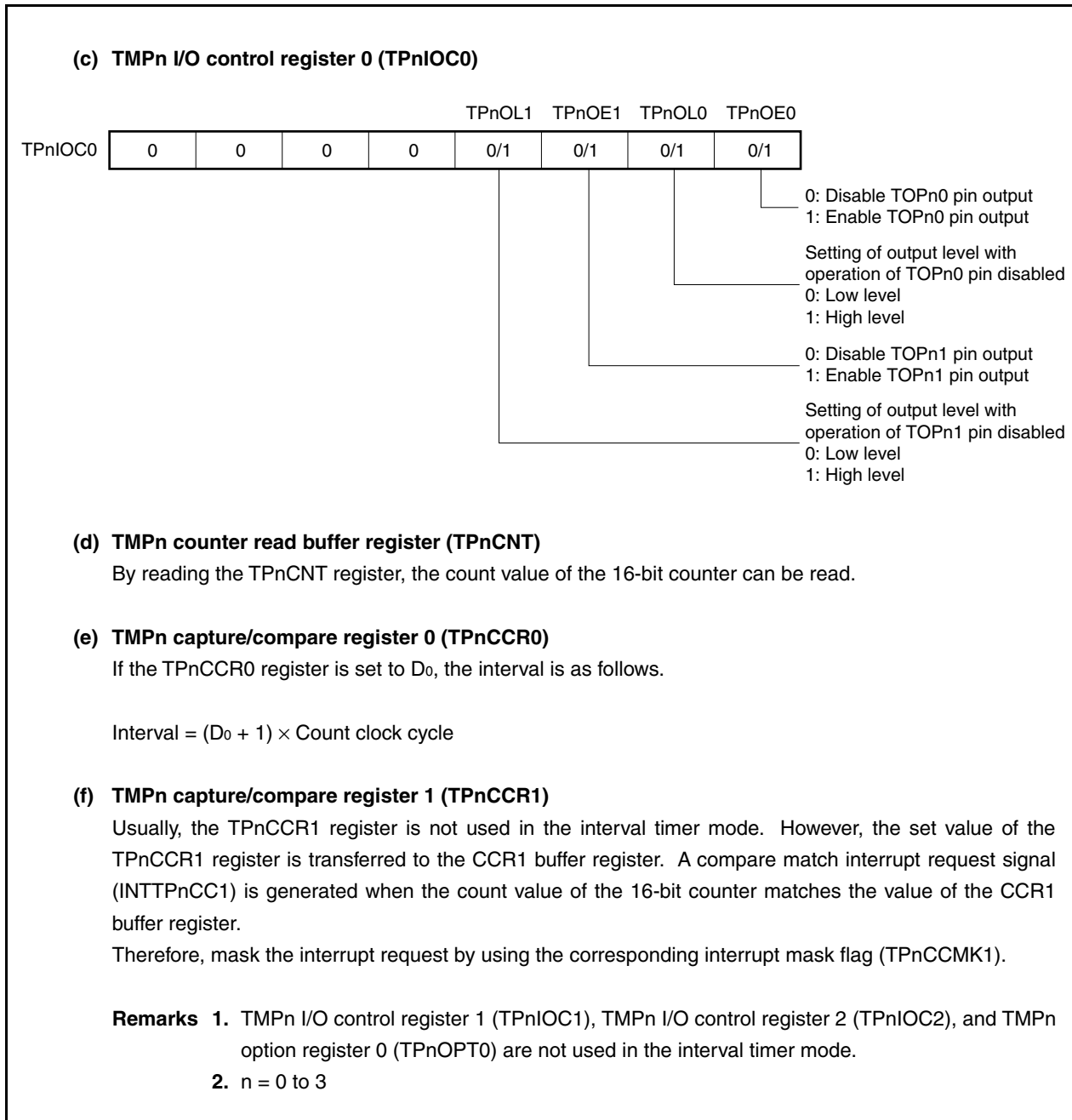
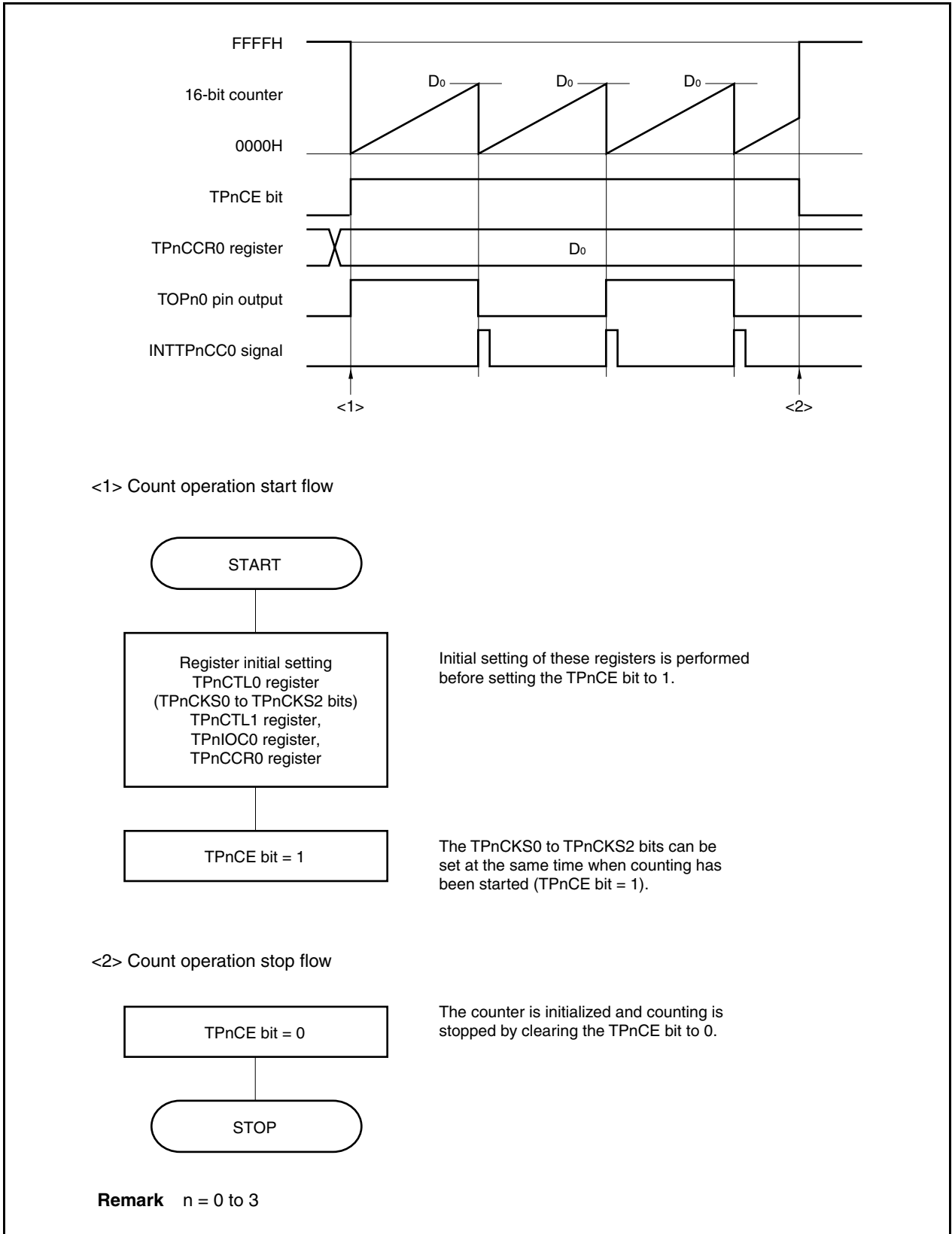


Figure 7-4. Register Setting for Interval Timer Mode Operation (2/2)



(1) Interval timer mode operation flow

Figure 7-5. Software Processing Flow in Interval Timer Mode

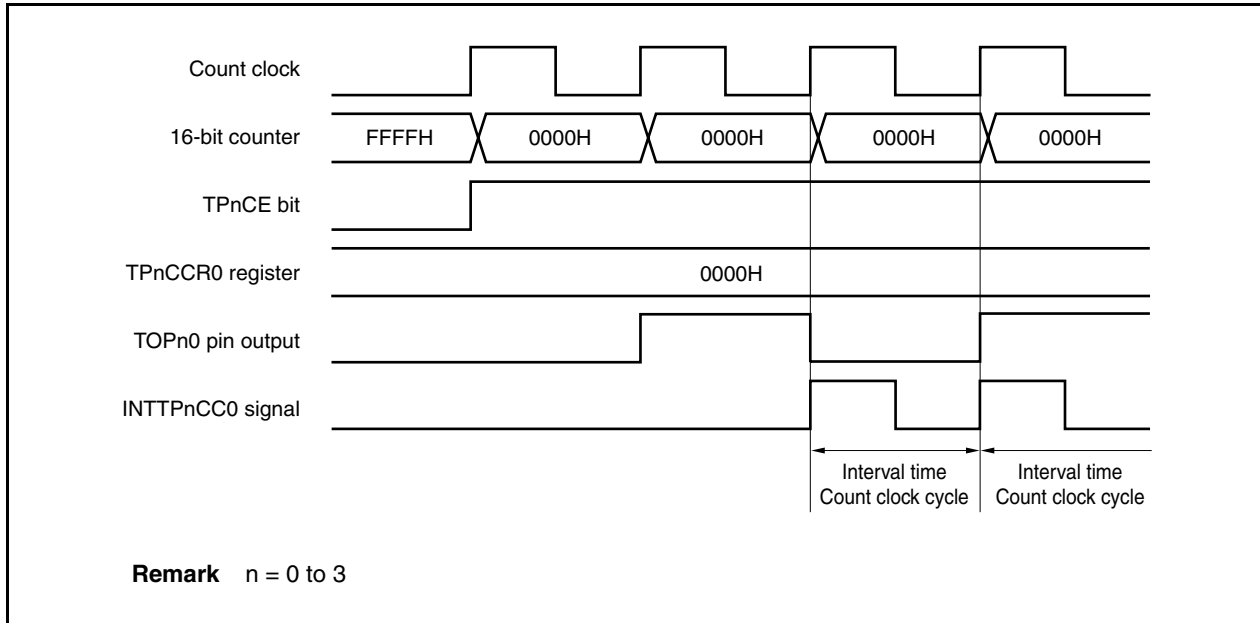


(2) Interval timer mode operation timing

(a) Operation if TPnCCR0 register is set to 0000H

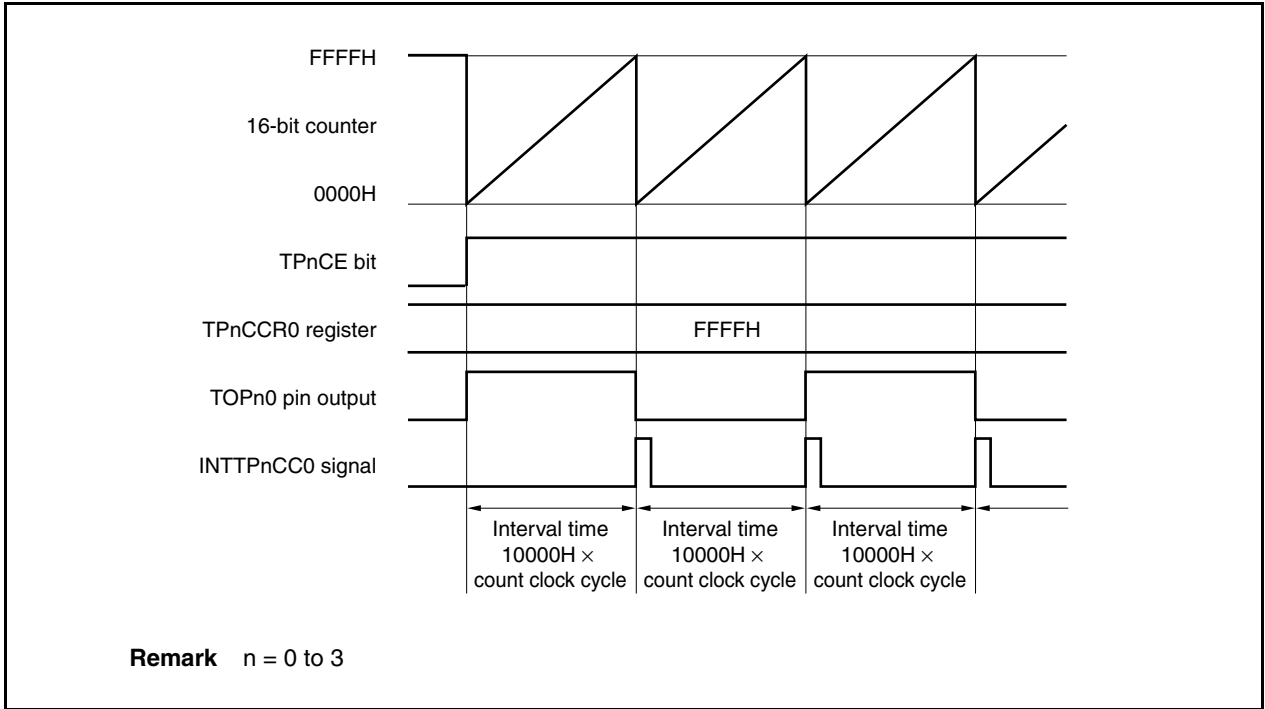
If the TPnCCR0 register is set to 0000H, the INTTPnCC0 signal is generated at each count clock subsequent to the first count clock, and the output of the TOPn0 pin is inverted.

The value of the 16-bit counter is always 0000H.



(b) Operation if TPnCCR0 register is set to FFFFH

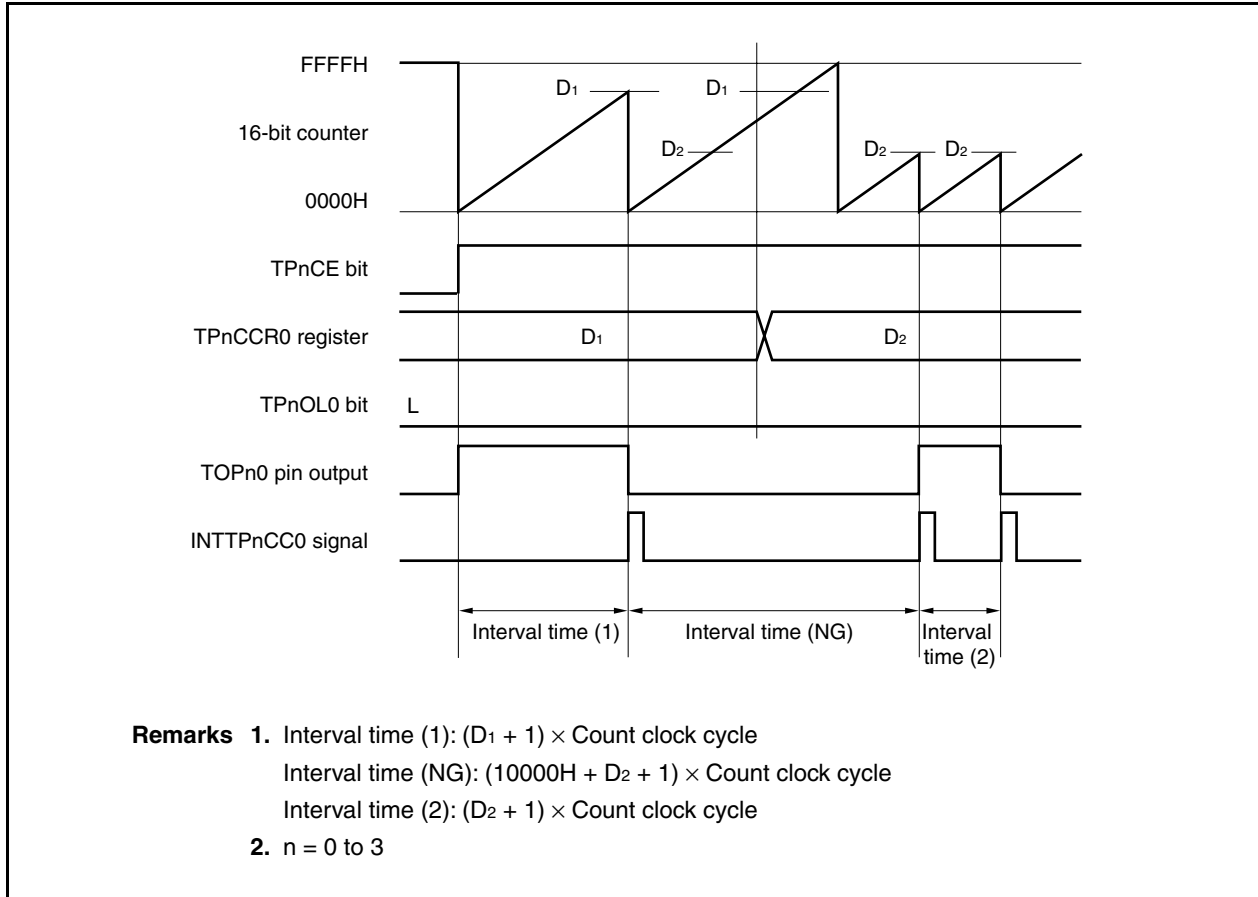
If the TPnCCR0 register is set to FFFFH, the 16-bit counter counts up to FFFFH. The counter is cleared to 0000H in synchronization with the next count-up timing. The INTTPnCC0 signal is generated and the output of the TOPn0 pin is inverted. At this time, an overflow interrupt request signal (INTTPnOV) is not generated, nor is the overflow flag (TPnOPT0.TPnOVF bit) set to 1.



(c) Notes on rewriting TPnCCR0 register

To change the value of the TPnCCR0 register to a smaller value, stop counting once and then change the set value.

If the value of the TPnCCR0 register is rewritten to a smaller value during counting, the 16-bit counter may overflow.



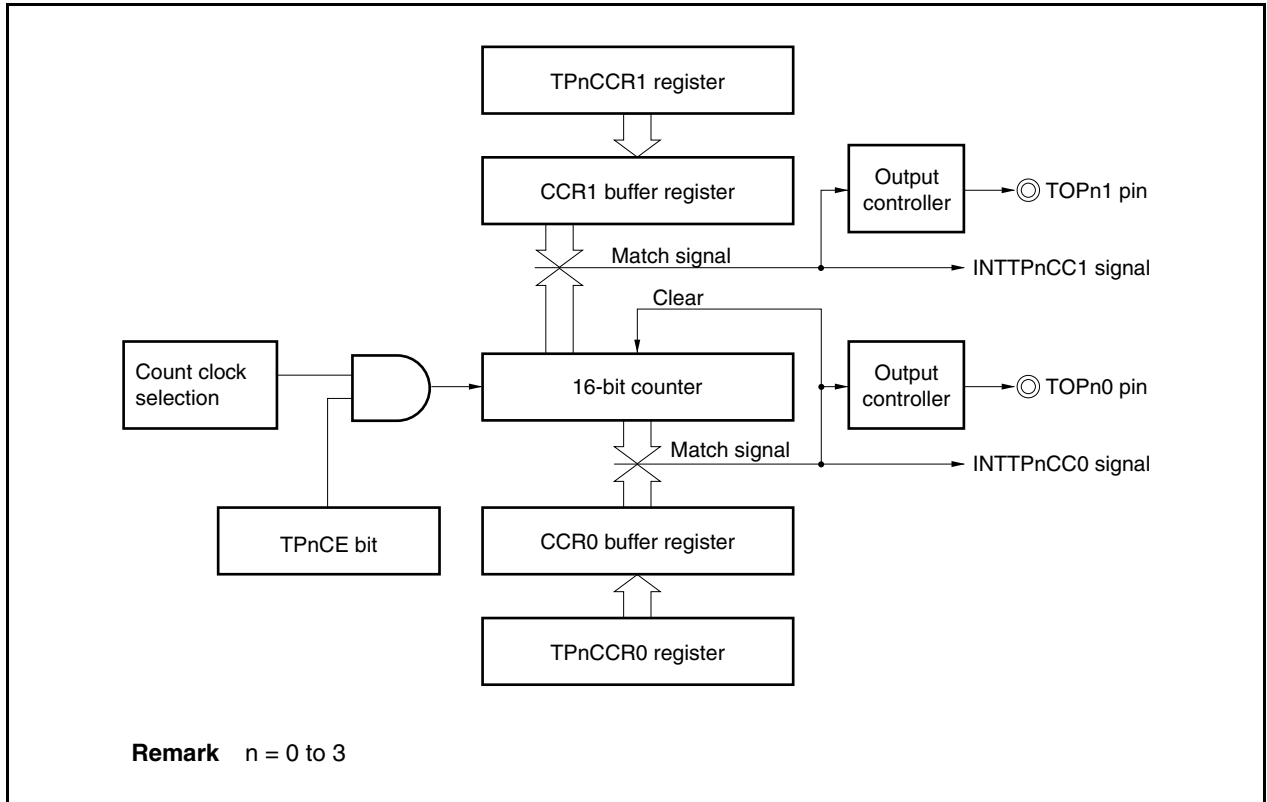
If the value of the TPnCCR0 register is changed from D_1 to D_2 while the count value is greater than D_2 but less than D_1 , the count value is transferred to the CCR0 buffer register as soon as the TPnCCR0 register has been rewritten. Consequently, the value of the 16-bit counter that is compared is D_2 .

Because the count value has already exceeded D_2 , however, the 16-bit counter counts up to FFFFH, overflows, and then counts up again from 0000H. When the count value matches D_2 , the INTTPnCC0 signal is generated and the output of the TOPn0 pin is inverted.

Therefore, the INTTPnCC0 signal may not be generated at the interval time " $(D_1 + 1) \times \text{Count clock cycle}$ " or " $(D_2 + 1) \times \text{Count clock cycle}$ " originally expected, but may be generated at an interval of " $(10000H + D_2 + 1) \times \text{Count clock period}$ ".

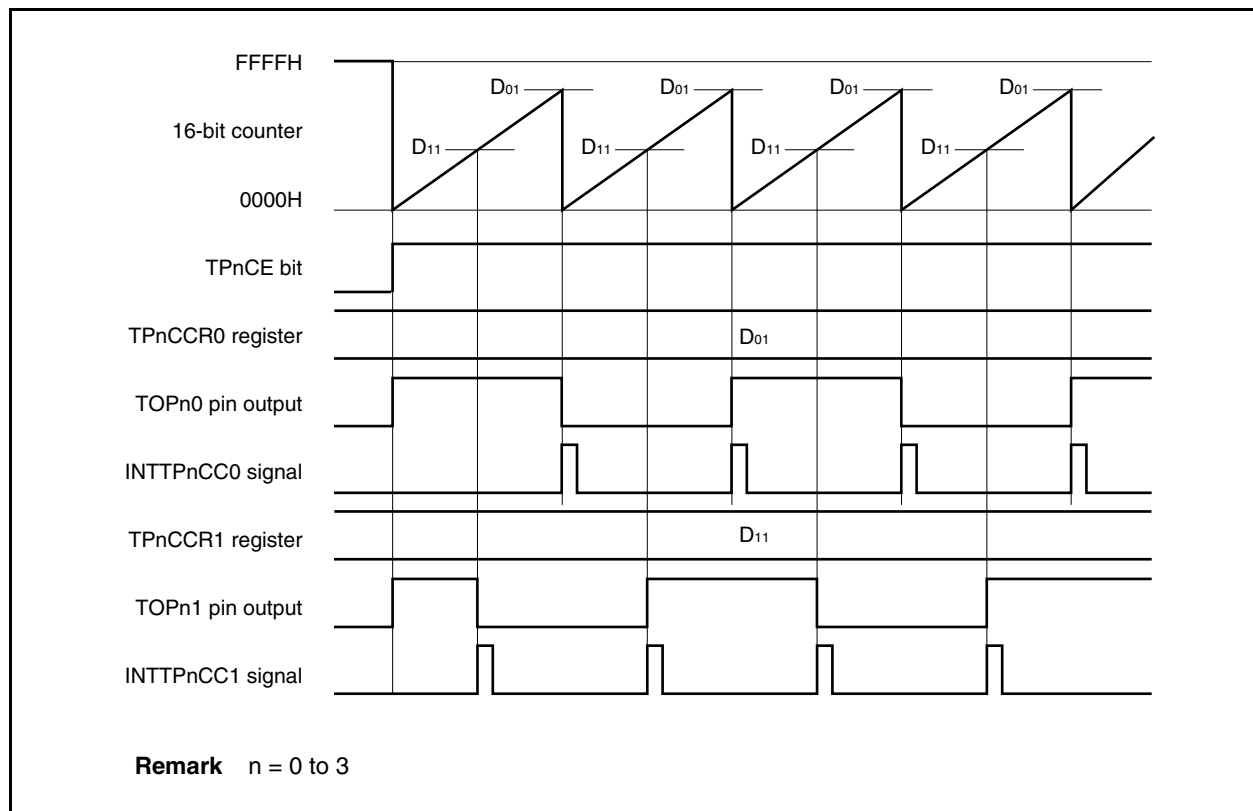
(d) Operation of TPnCCR1 register

Figure 7-6. Configuration of TPnCCR1 Register



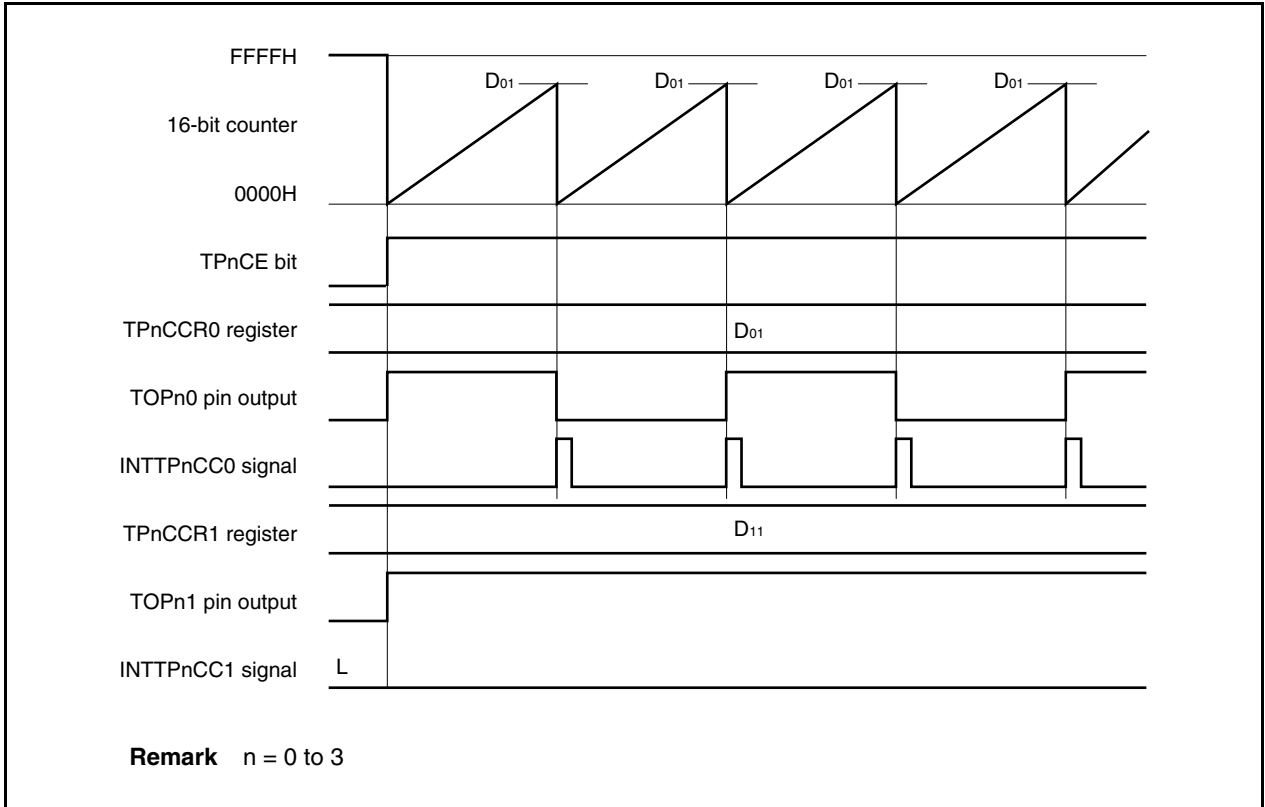
If the set value of the TPnCCR1 register is less than the set value of the TPnCCR0 register, the INTTPnCC1 signal is generated once per cycle. At the same time, the output of the TOPn1 pin is inverted. The TOPn1 pin outputs a square wave with the same cycle as that output by the TOPn0 pin.

Figure 7-7. Timing Chart When $D_{01} \geq D_{11}$



If the set value of the TPnCCR1 register is greater than the set value of the TPnCCR0 register, the count value of the 16-bit counter does not match the value of the TPnCCR1 register. Consequently, the INTTPnCC1 signal is not generated, nor is the output of the TOPn1 pin changed.

Figure 7-8. Timing Chart When $D_{01} < D_{11}$



7.5.2 External event count mode (TPnMD2 to TPnMD0 bits = 001)

In the external event count mode, the valid edge of the external event count input is counted when the TPnCTL0.TPnCE bit is set to 1, and an interrupt request signal (INTTPnCC0) is generated each time the specified number of edges have been counted. The TOPn0 pin cannot be used.

Usually, the TPnCCR1 register is not used in the external event count mode.

Figure 7-9. Configuration in External Event Count Mode

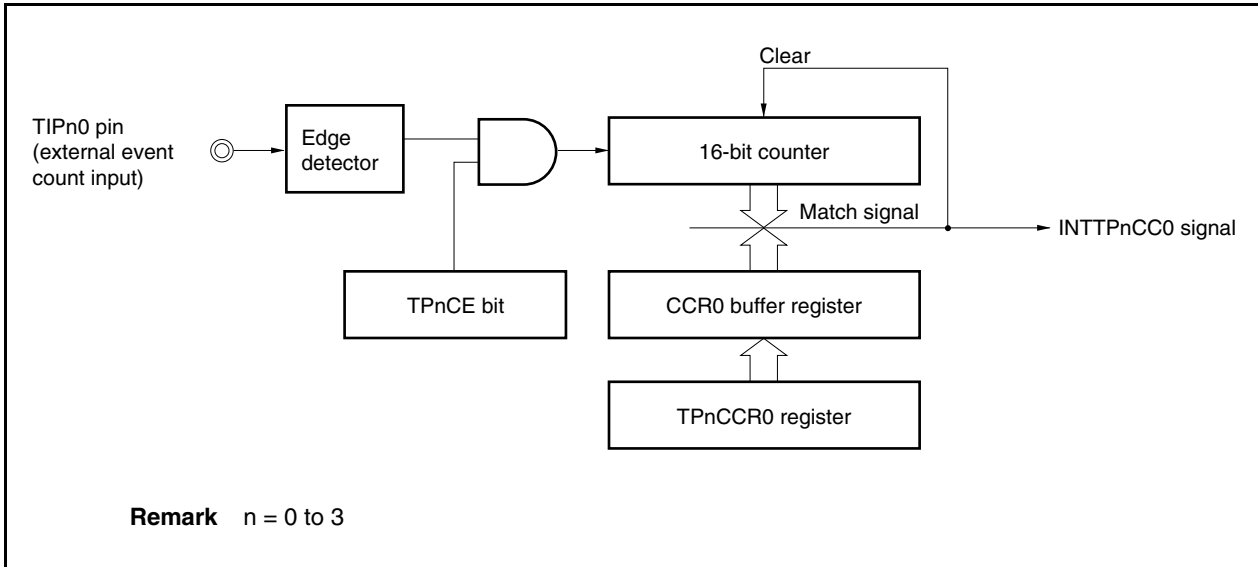
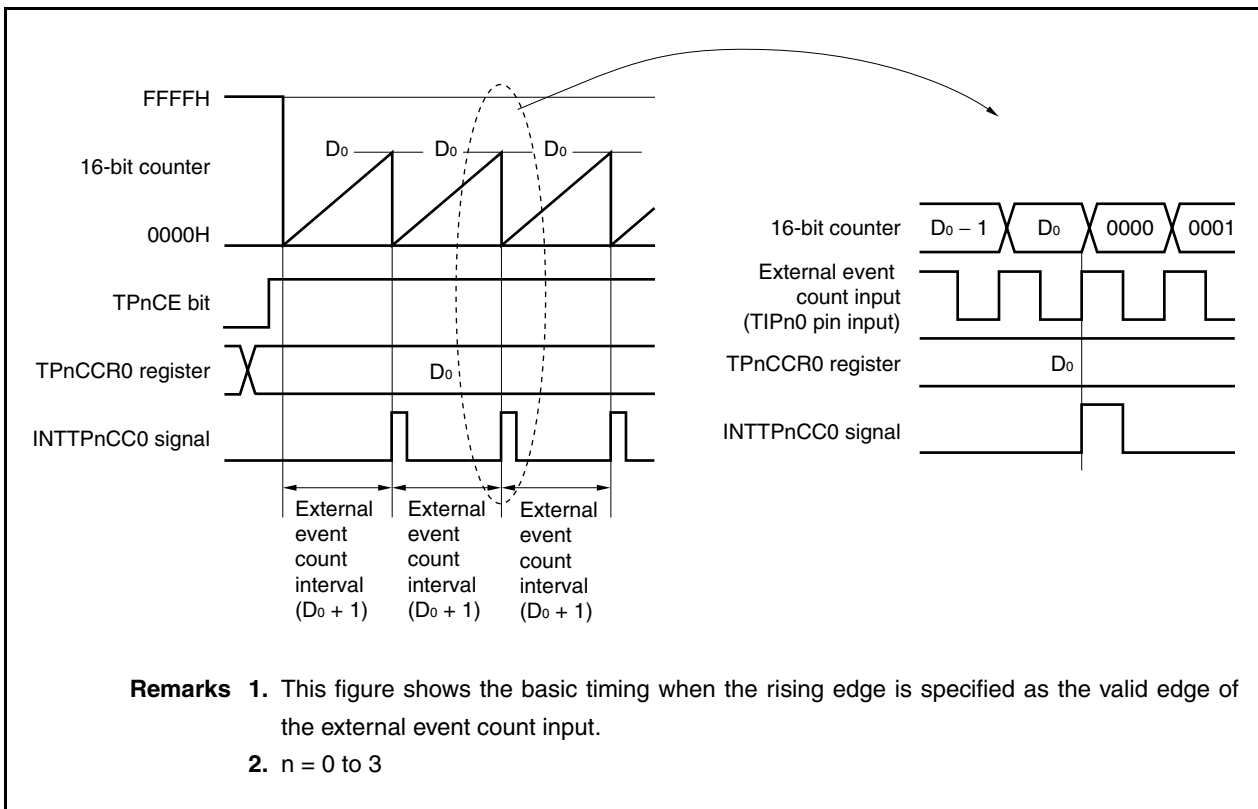


Figure 7-10. Basic Timing in External Event Count Mode



When the TPnCE bit is set to 1, the value of the 16-bit counter is cleared from FFFFH to 0000H. The counter counts each time the valid edge of external event count input is detected. Additionally, the set value of the TPnCCR0 register is transferred to the CCR0 buffer register.

When the count value of the 16-bit counter matches the value of the CCR0 buffer register, the 16-bit counter is cleared to 0000H, and a compare match interrupt request signal (INTTPnCC0) is generated.

The INTTPnCC0 signal is generated each time the valid edge of the external event count input has been detected (set value of TPnCCR0 register + 1) times.

Figure 7-11. Register Setting for Operation in External Event Count Mode (1/2)

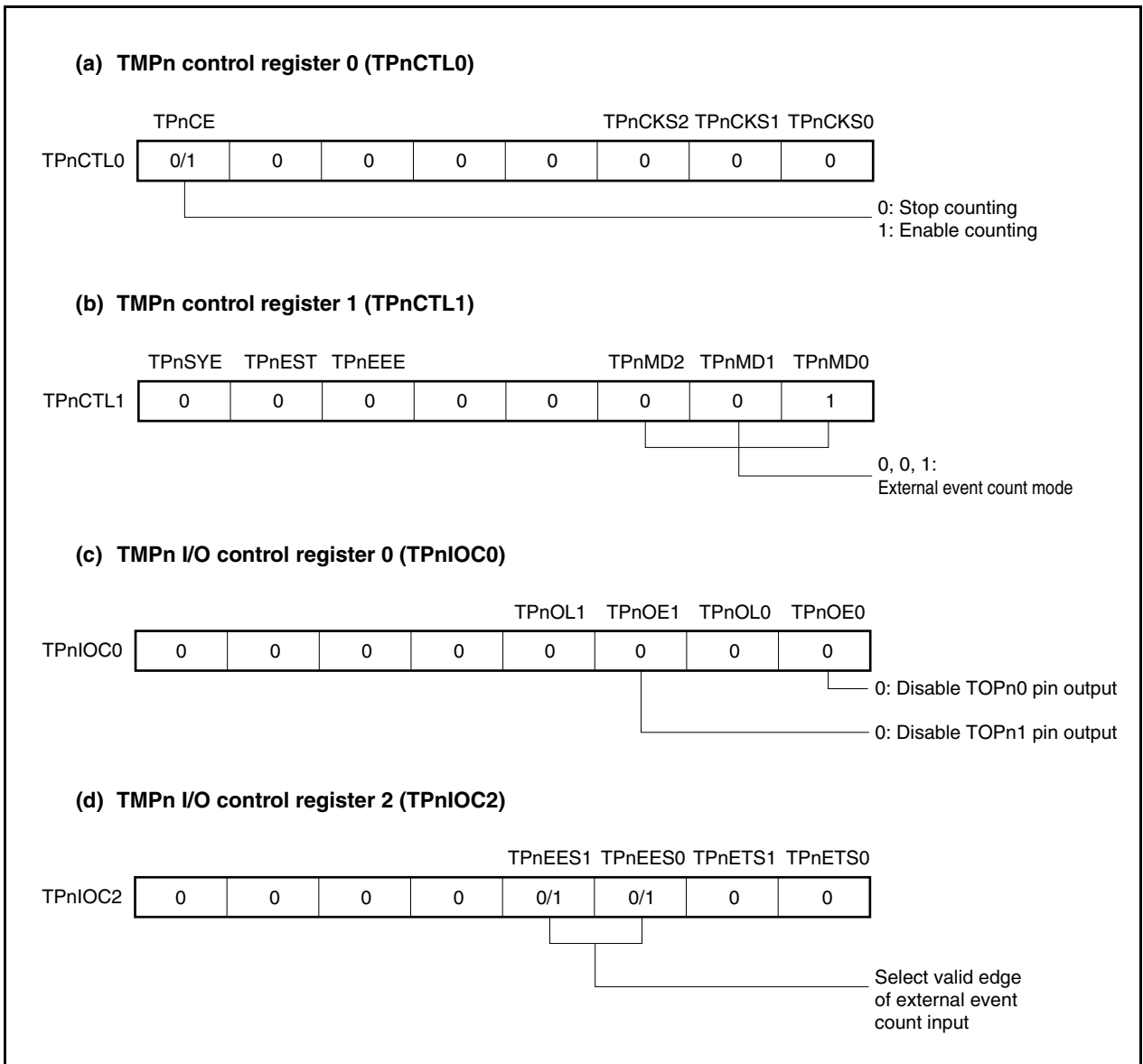


Figure 7-11. Register Setting for Operation in External Event Count Mode (2/2)

(e) TMPn counter read buffer register (TPnCNT)

The count value of the 16-bit counter can be read by reading the TPnCNT register.

(f) TMPn capture/compare register 0 (TPnCCR0)

If D_0 is set to the TPnCCR0 register, the counter is cleared and a compare match interrupt request signal (INTTPnCC0) is generated when the number of external event counts reaches ($D_0 + 1$).

(g) TMPn capture/compare register 1 (TPnCCR1)

Usually, the TPnCCR1 register is not used in the external event count mode. However, the set value of the TPnCCR1 register is transferred to the CCR1 buffer register. When the count value of the 16-bit counter matches the value of the CCR1 buffer register, a compare match interrupt request signal (INTTPnCC1) is generated.

Therefore, mask the interrupt signal by using the interrupt mask flag (TPnCCMK1).

Caution When an external clock is used as the count clock, the external clock can be input only from the TIPn0 pin. At this time, set the TPnIOC1.TPnIS1 and TPnIOC1.TPnIS0 bits to 00 (capture trigger input (TIPn0 pin): no edge detection).

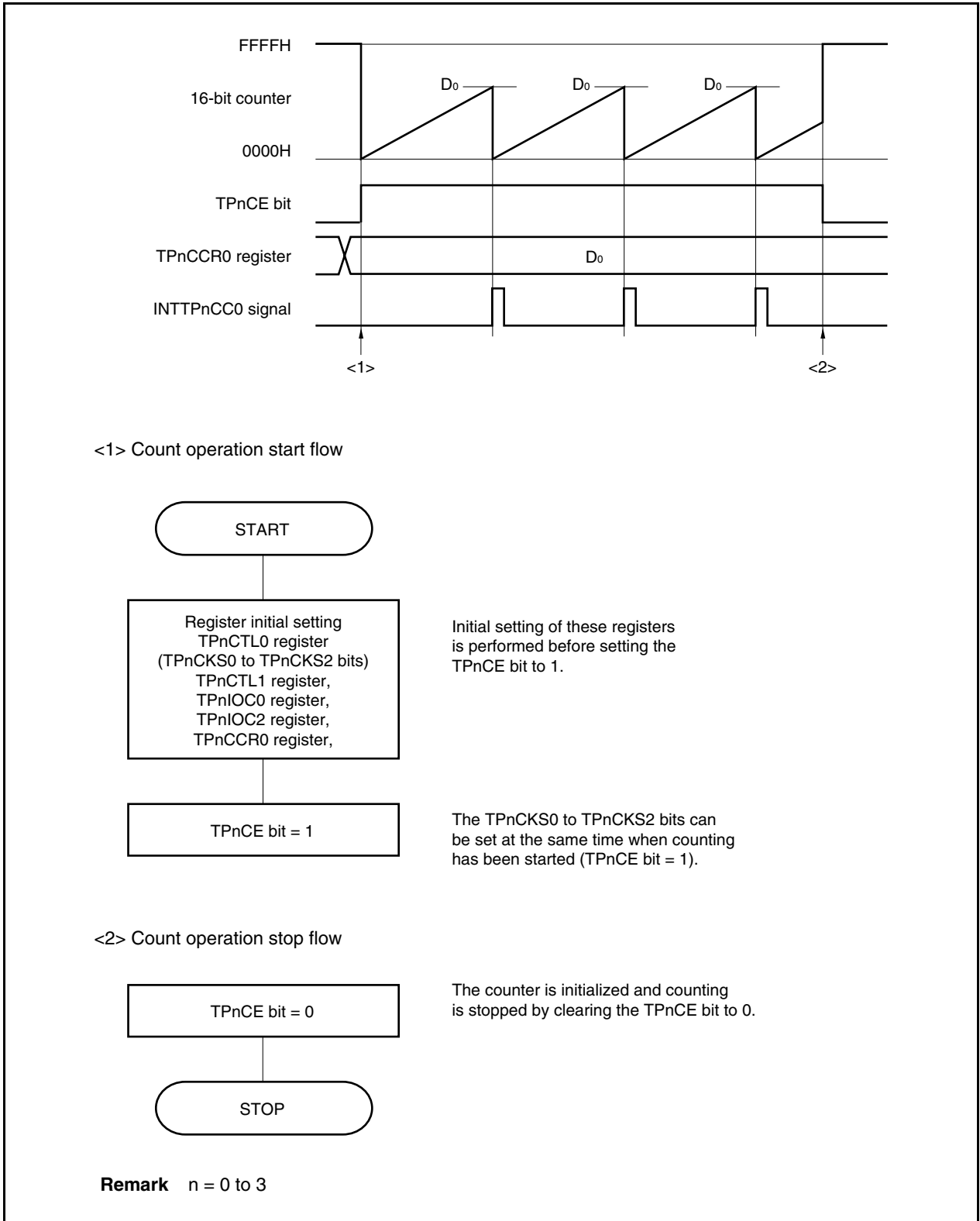
Remarks

1. TMPn I/O control register 1 (TPnIOC1) and TMPn option register 0 (TPnOPT0) are not used in the external event count mode.
2. $n = 0$ to 3

<R>

(1) External event count mode operation flow

Figure 7-12. Flow of Software Processing in External Event Count Mode

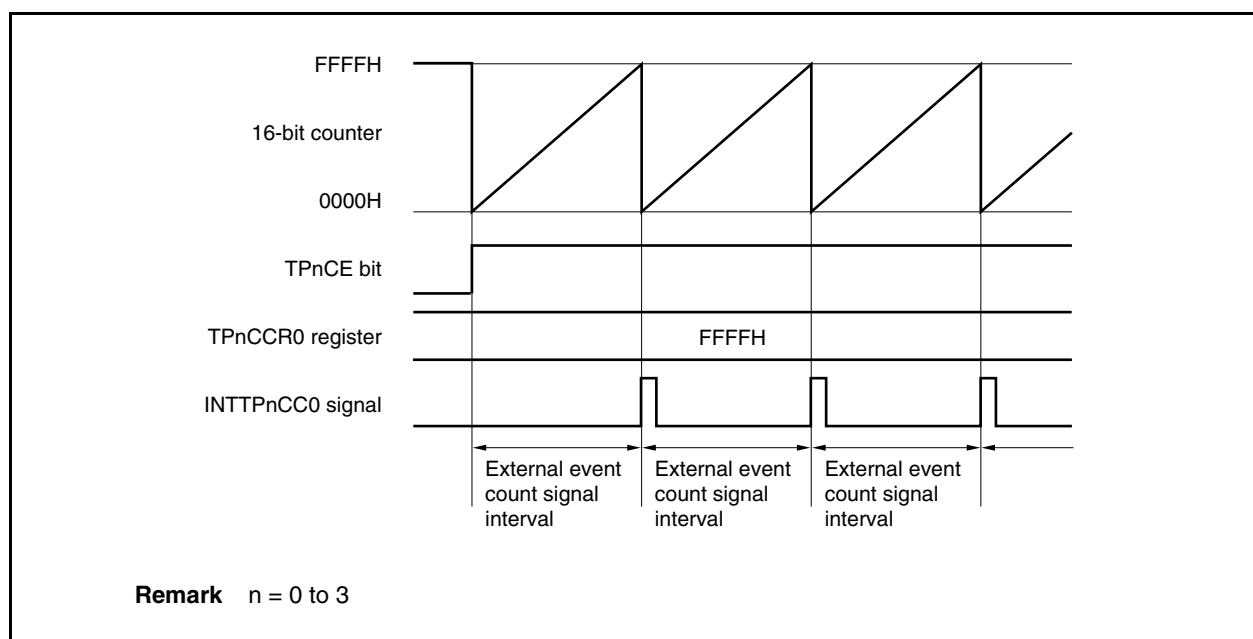


(2) Operation timing in external event count mode

- Cautions**
1. In the external event count mode, do not set the TPnCCR0 register to 0000H.
 2. In the external event count mode, use of the timer output is disabled. If performing timer output using external event count input, set the interval timer mode, and select the operation enabled by the external event count input for the count clock (TPnCTL1.TPnMD2 to TPnCTL1.TPnMD0 bits = 000, TPnCTL1.TPnEEE bit = 1).

(a) Operation if TPnCCR0 register is set to FFFFH

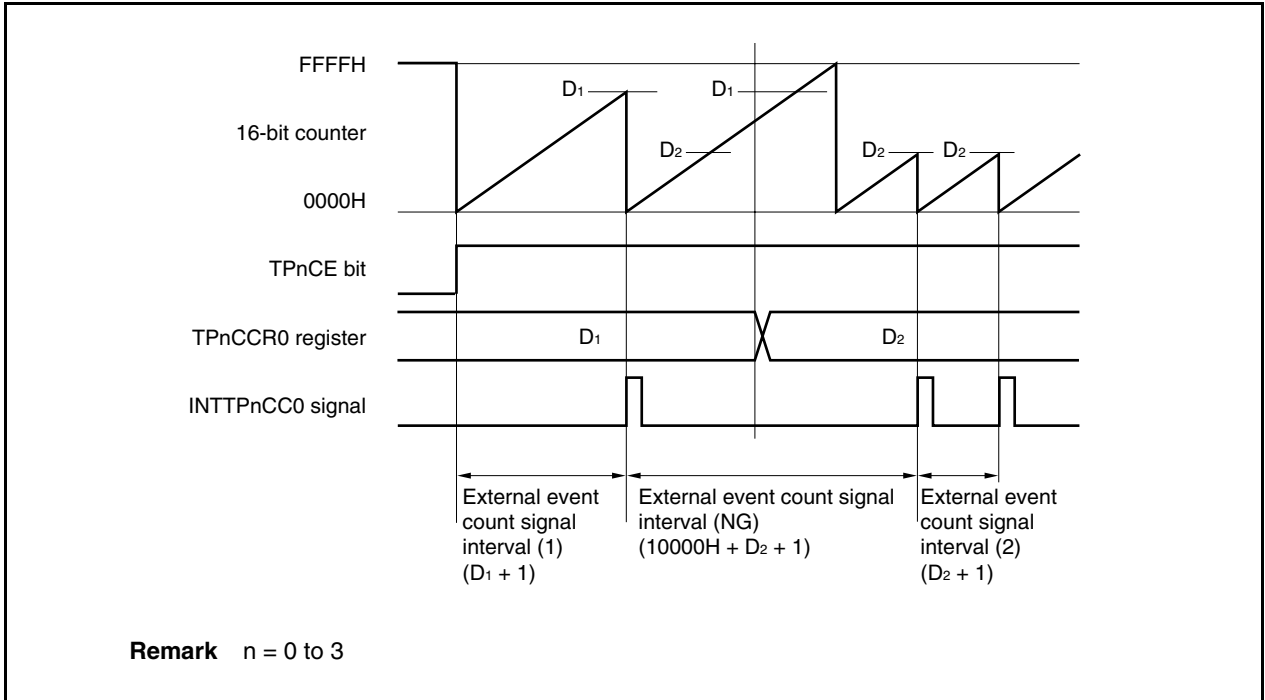
If the TPnCCR0 register is set to FFFFH, the 16-bit counter counts to FFFFH each time the valid edge of the external event count signal has been detected. The 16-bit counter is cleared to 0000H in synchronization with the next count-up timing, and the INTTPnCC0 signal is generated. At this time, the TPnOPT0.TPnOVF bit is not set.



(b) Notes on rewriting the TPnCCR0 register

To change the value of the TPnCCR0 register to a smaller value, stop counting once and then change the set value.

If the value of the TPnCCR0 register is rewritten to a smaller value during counting, the 16-bit counter may overflow.



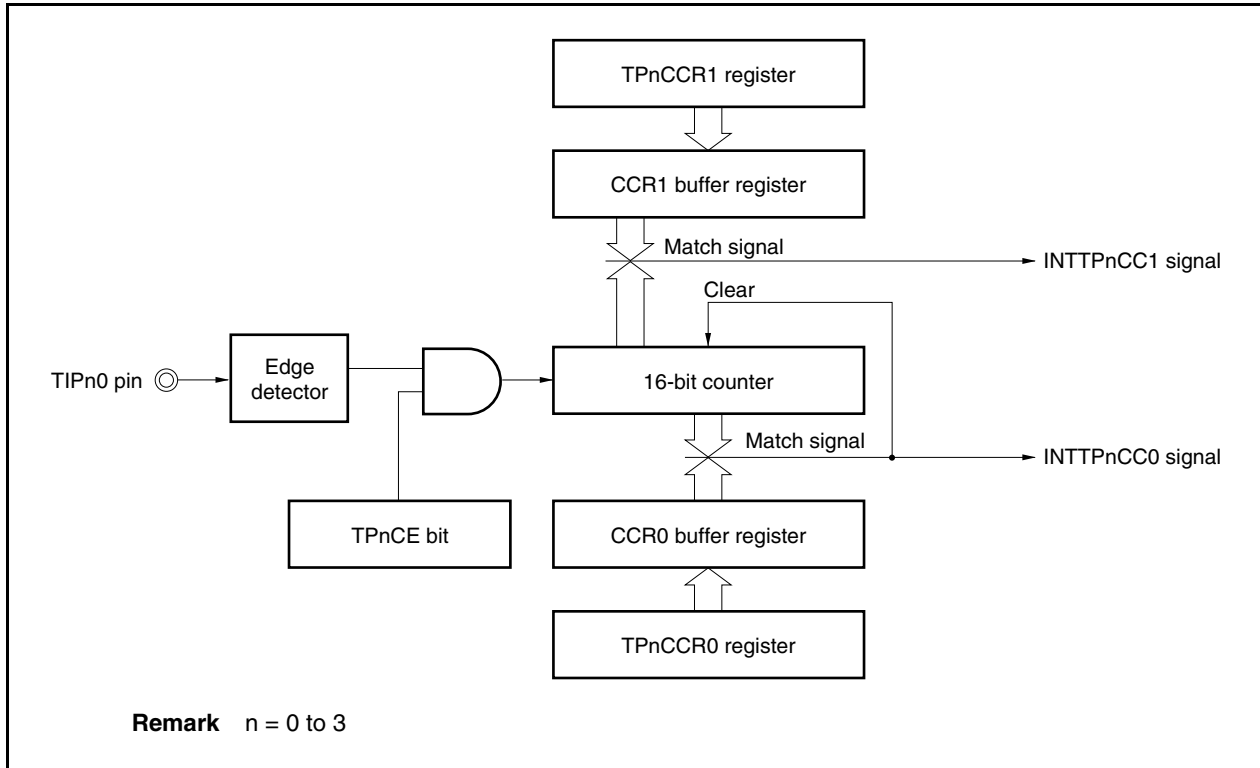
If the value of the TPnCCR0 register is changed from D1 to D2 while the count value is greater than D2 but less than D1, the count value is transferred to the CCR0 buffer register as soon as the TPnCCR0 register has been rewritten. Consequently, the value that is compared with the 16-bit counter is D2.

Because the count value has already exceeded D2, however, the 16-bit counter counts up to FFFFH, overflows, and then counts up again from 0000H. When the count value matches D2, the INTTPnCC0 signal is generated.

Therefore, the INTTPnCC0 signal may not be generated at the valid edge count of “(D1 + 1) times” or “(D2 + 1) times” originally expected, but may be generated at the valid edge count of “(10000H + D2 + 1) times”.

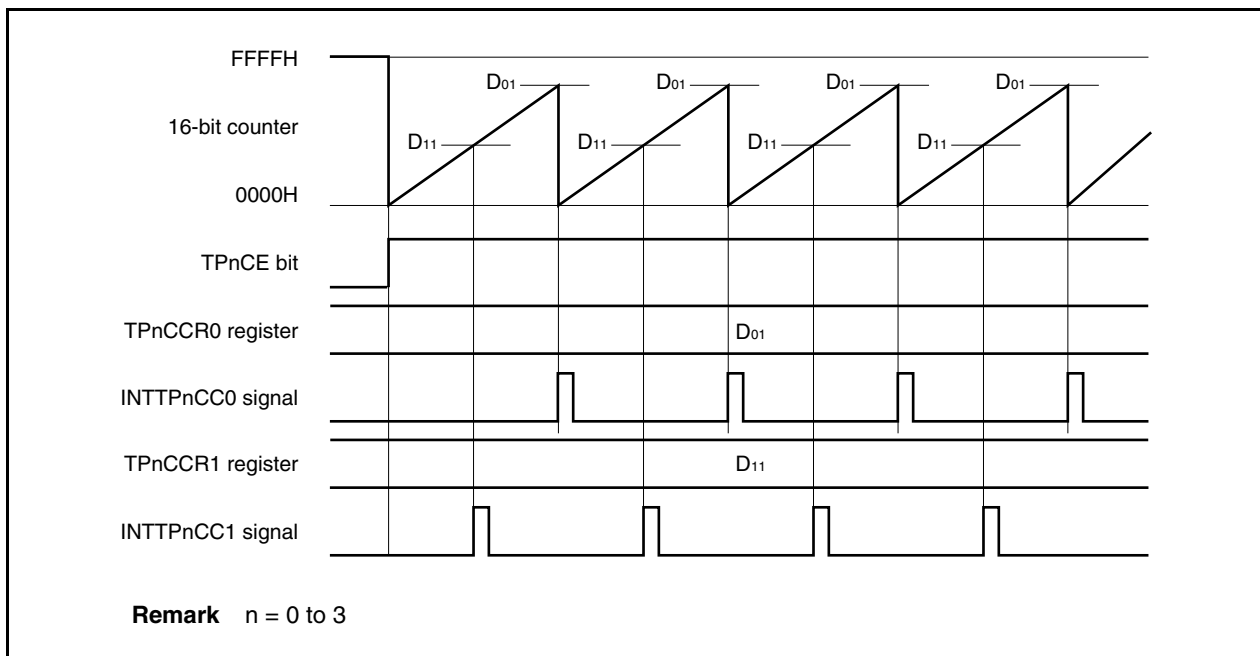
(c) Operation of TPnCCR1 register

Figure 7-13. Configuration of TPnCCR1 Register



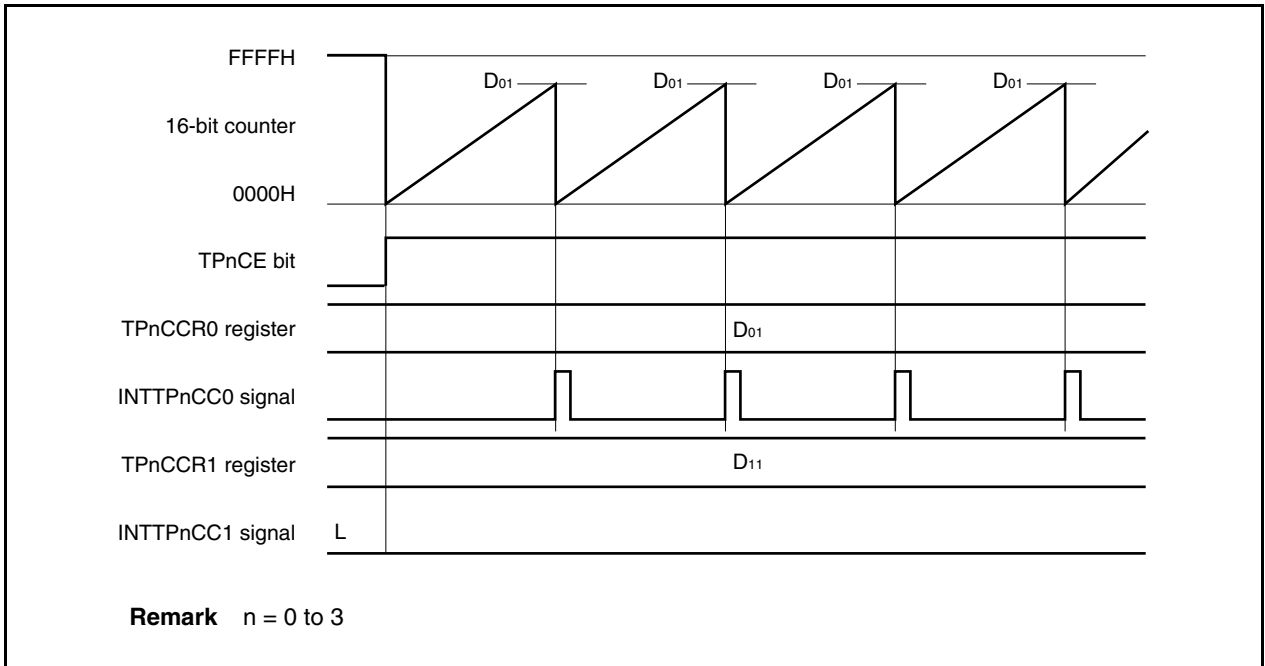
If the set value of the TPnCCR1 register is smaller than the set value of the TPnCCR0 register, the INTTPnCC1 signal is generated once per cycle.

Figure 7-14. Timing Chart When $D_{01} \geq D_{11}$



If the set value of the TPnCCR1 register is greater than the set value of the TPnCCR0 register, the INTTPnCC1 signal is not generated because the count value of the 16-bit counter and the value of the TPnCCR1 register do not match.

Figure 7-15. Timing Chart When $D_{01} < D_{11}$



7.5.3 External trigger pulse output mode (TPnMD2 to TPnMD0 bits = 010)

In the external trigger pulse output mode, 16-bit timer/event counter P waits for a trigger when the TPnCTL0.TPnCE bit is set to 1. When the valid edge of an external trigger input signal is detected, 16-bit timer/event counter P starts counting, and outputs a PWM waveform from the TOPn1 pin.

Pulses can also be output by generating a software trigger instead of using the external trigger. When using a software trigger, a square wave that has one cycle of the PWM waveform as half its cycle can also be output from the TOPn0 pin.

Figure 7-16. Configuration in External Trigger Pulse Output Mode

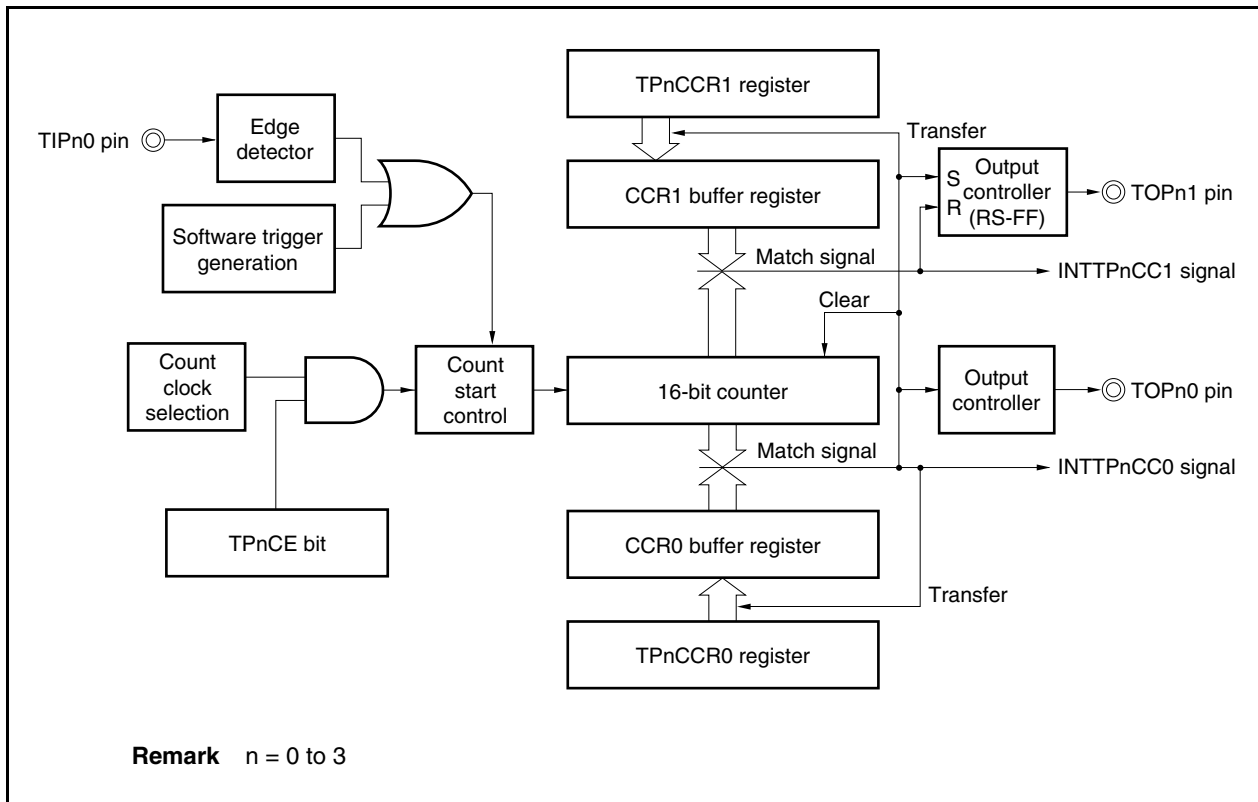
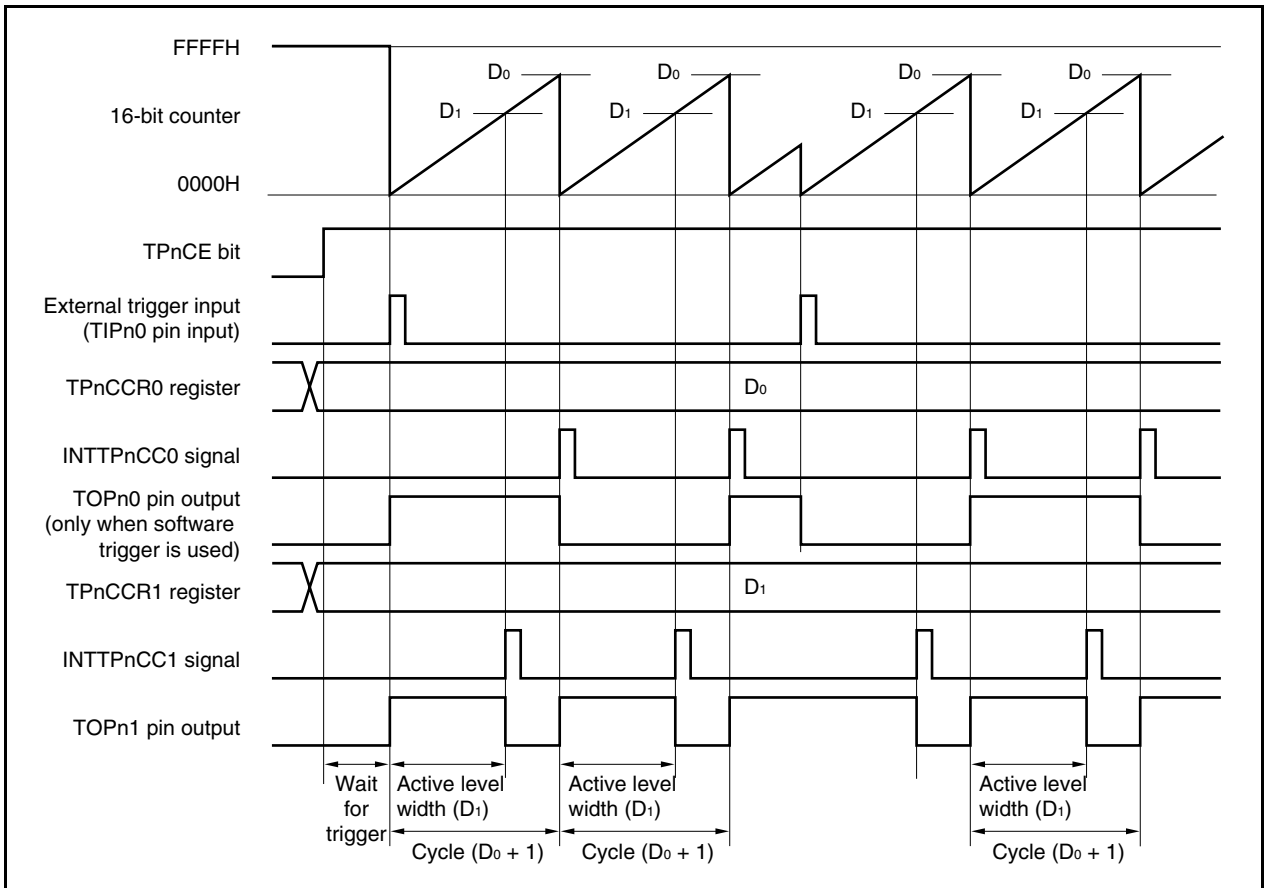


Figure 7-17. Basic Timing in External Trigger Pulse Output Mode



16-bit timer/event counter P waits for a trigger when the TPnCE bit is set to 1. When the trigger is generated, the 16-bit counter is cleared from FFFFH to 0000H, starts counting at the same time, and outputs a PWM waveform from the TOPn1 pin. If the trigger is generated again while the counter is operating, the counter is cleared to 0000H and restarted. (The output of the TOPn0 pin is inverted. The TOPn1 pin outputs a high level regardless of the status (high/low) when a trigger occurs.)

The active level width, cycle, and duty factor of the PWM waveform can be calculated as follows.

$$\text{Active level width} = (\text{Set value of TPnCCR1 register}) \times \text{Count clock cycle}$$

$$\text{Cycle} = (\text{Set value of TPnCCR0 register} + 1) \times \text{Count clock cycle}$$

$$\text{Duty factor} = (\text{Set value of TPnCCR1 register}) / (\text{Set value of TPnCCR0 register} + 1)$$

The compare match request signal INTTPnCC0 is generated when the 16-bit counter counts next time after its count value matches the value of the CCR0 buffer register, and the 16-bit counter is cleared to 0000H. The compare match interrupt request signal INTTPnCC1 is generated when the count value of the 16-bit counter matches the value of the CCR1 buffer register.

The value set to the TPnCCRm register is transferred to the CCRm buffer register when the count value of the 16-bit counter matches the value of the CCRm buffer register and the 16-bit counter is cleared to 0000H.

The valid edge of an external trigger input signal, or setting the software trigger (TPnCTL1.TPnEST bit) to 1 is used as the trigger.

Remark n = 0 to 3, m = 0, 1

Figure 7-18. Setting of Registers in External Trigger Pulse Output Mode (1/2)

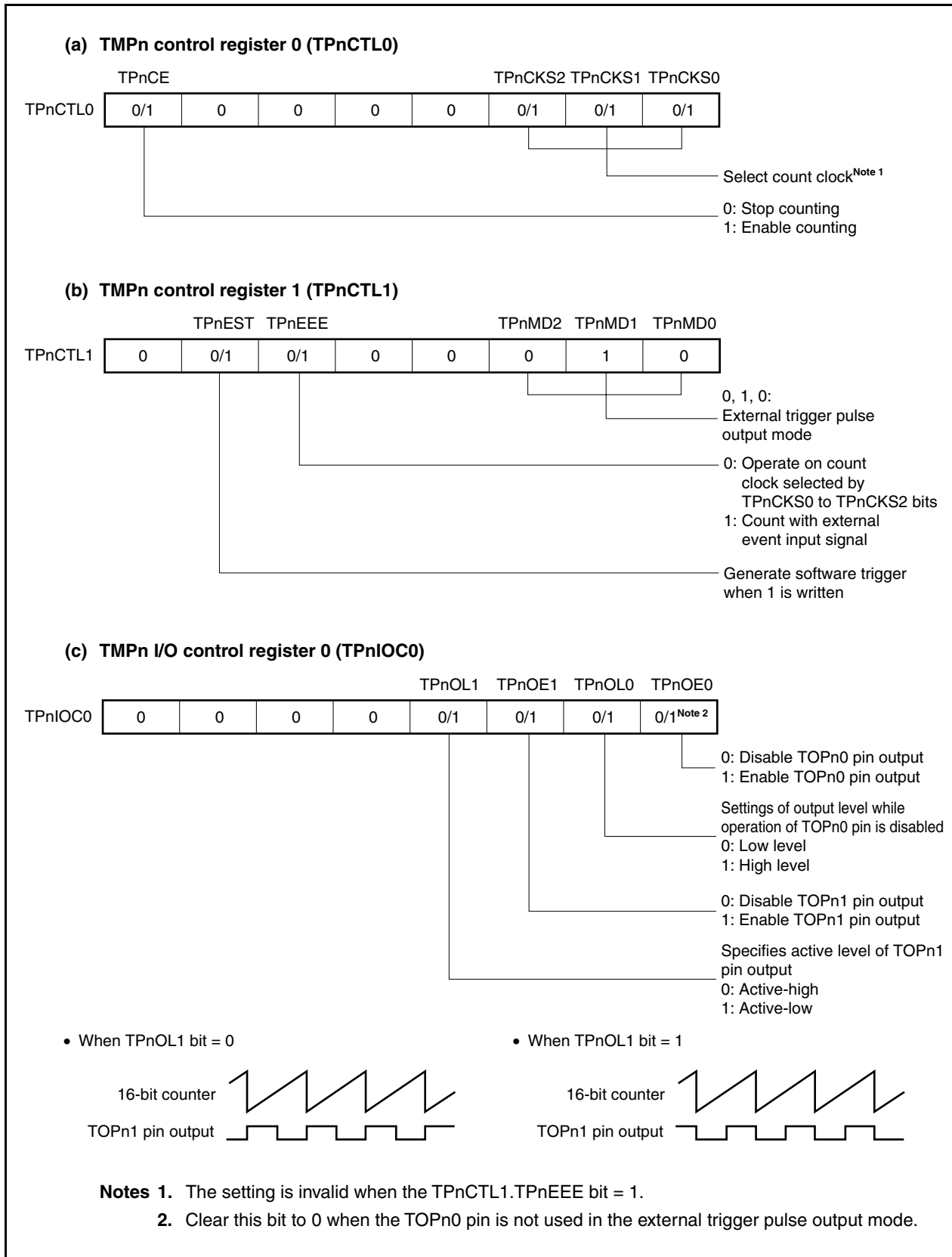
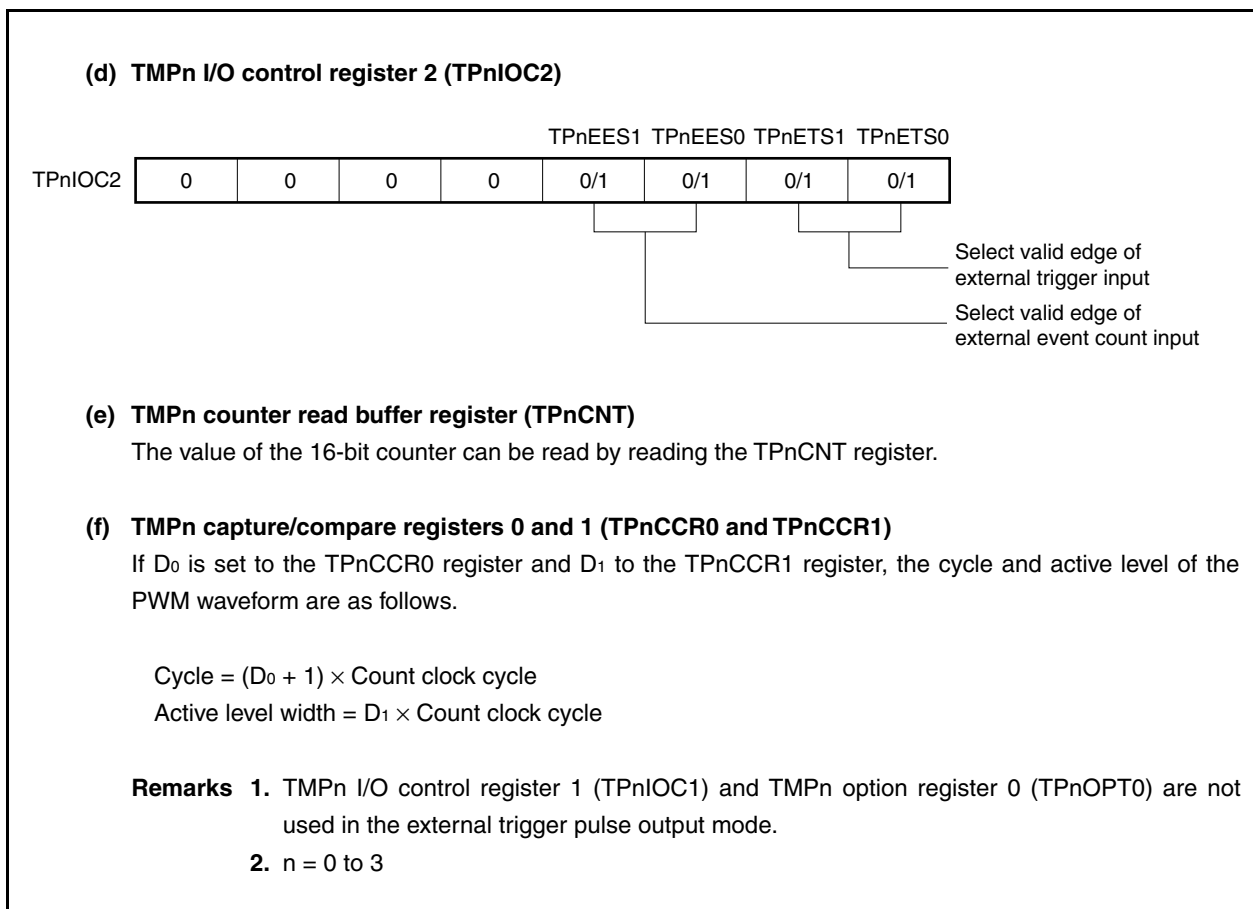


Figure 7-18. Setting of Registers in External Trigger Pulse Output Mode (2/2)



(1) Operation flow in external trigger pulse output mode

Figure 7-19. Software Processing Flow in External Trigger Pulse Output Mode (1/2)

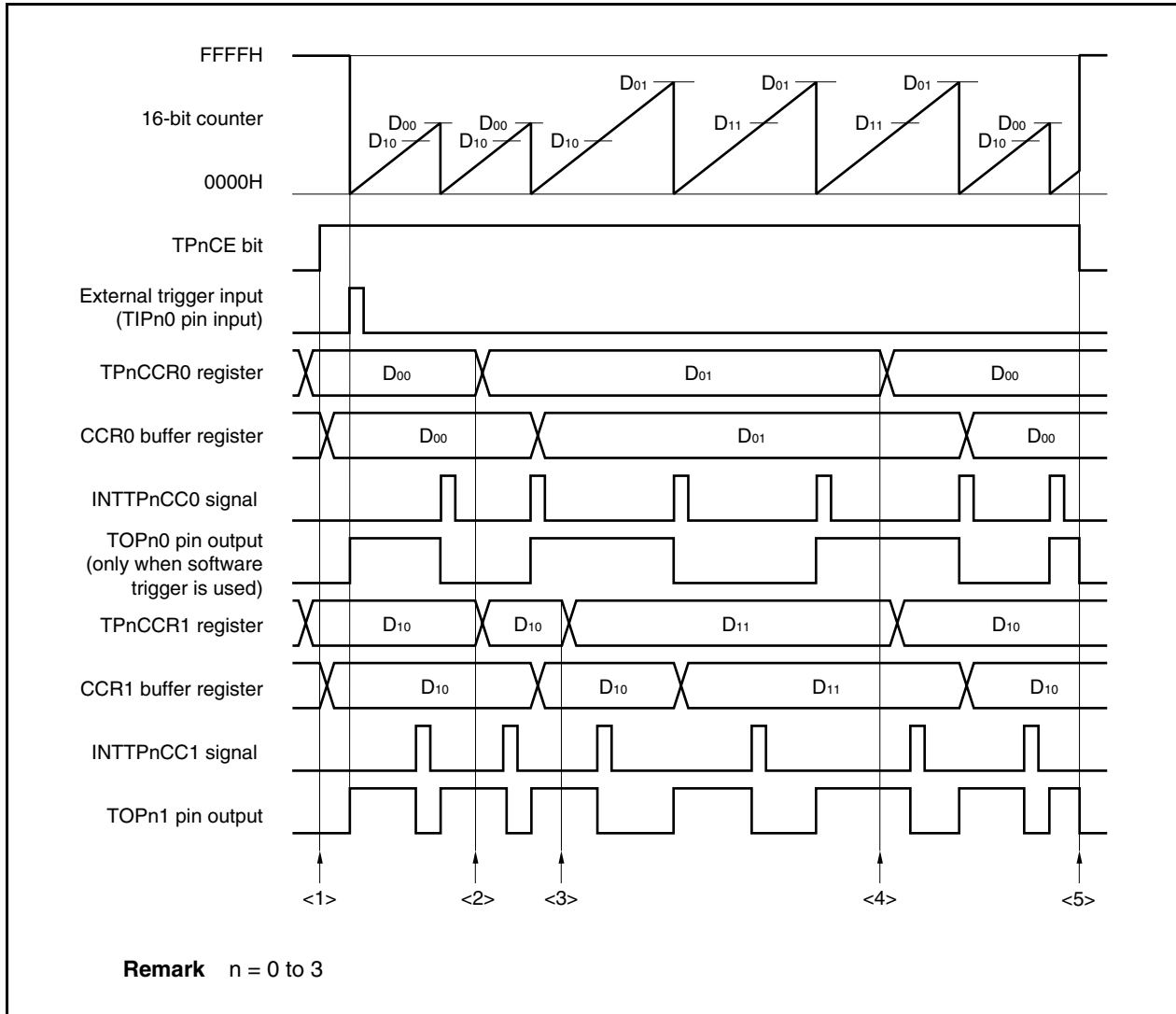
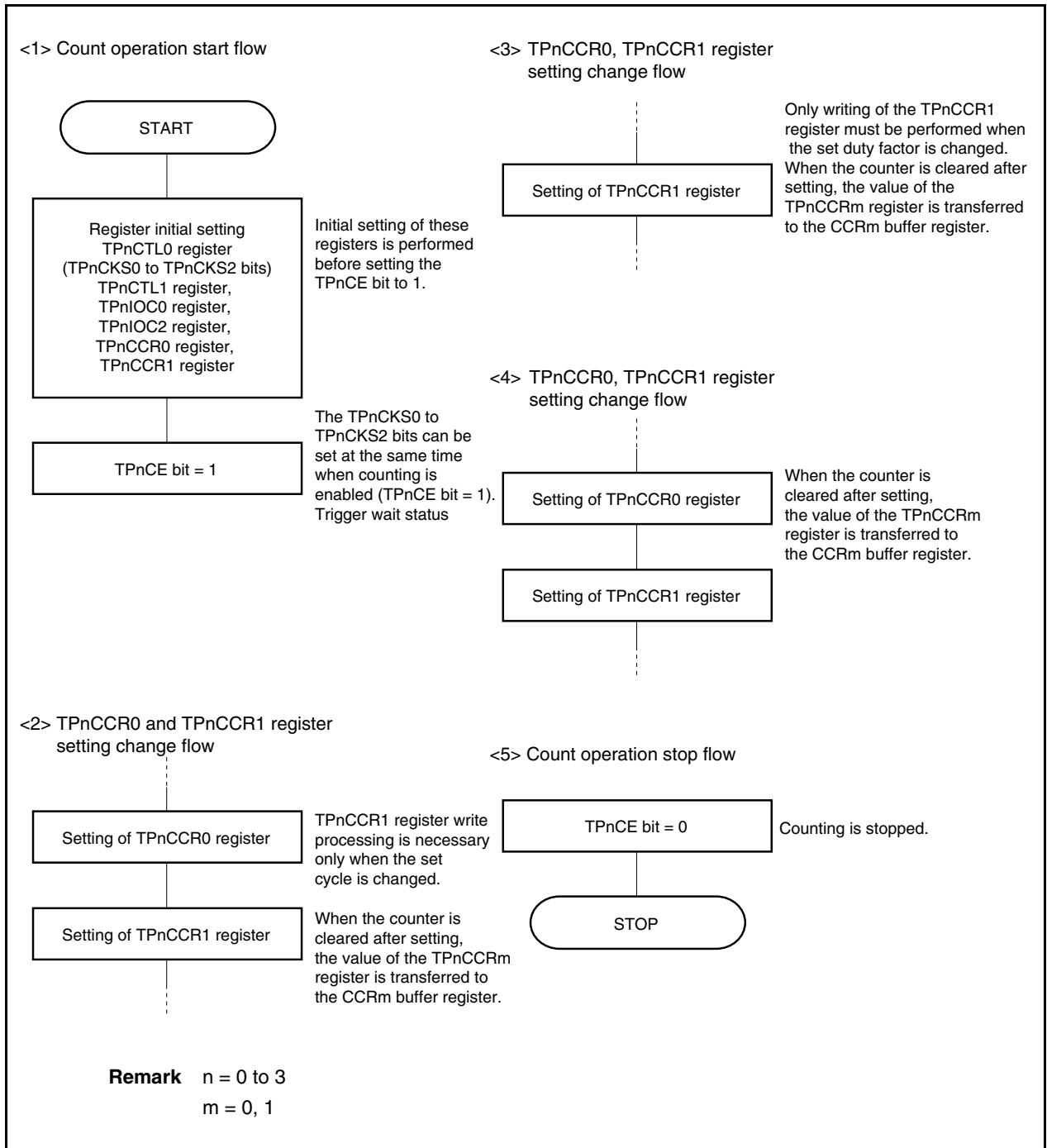


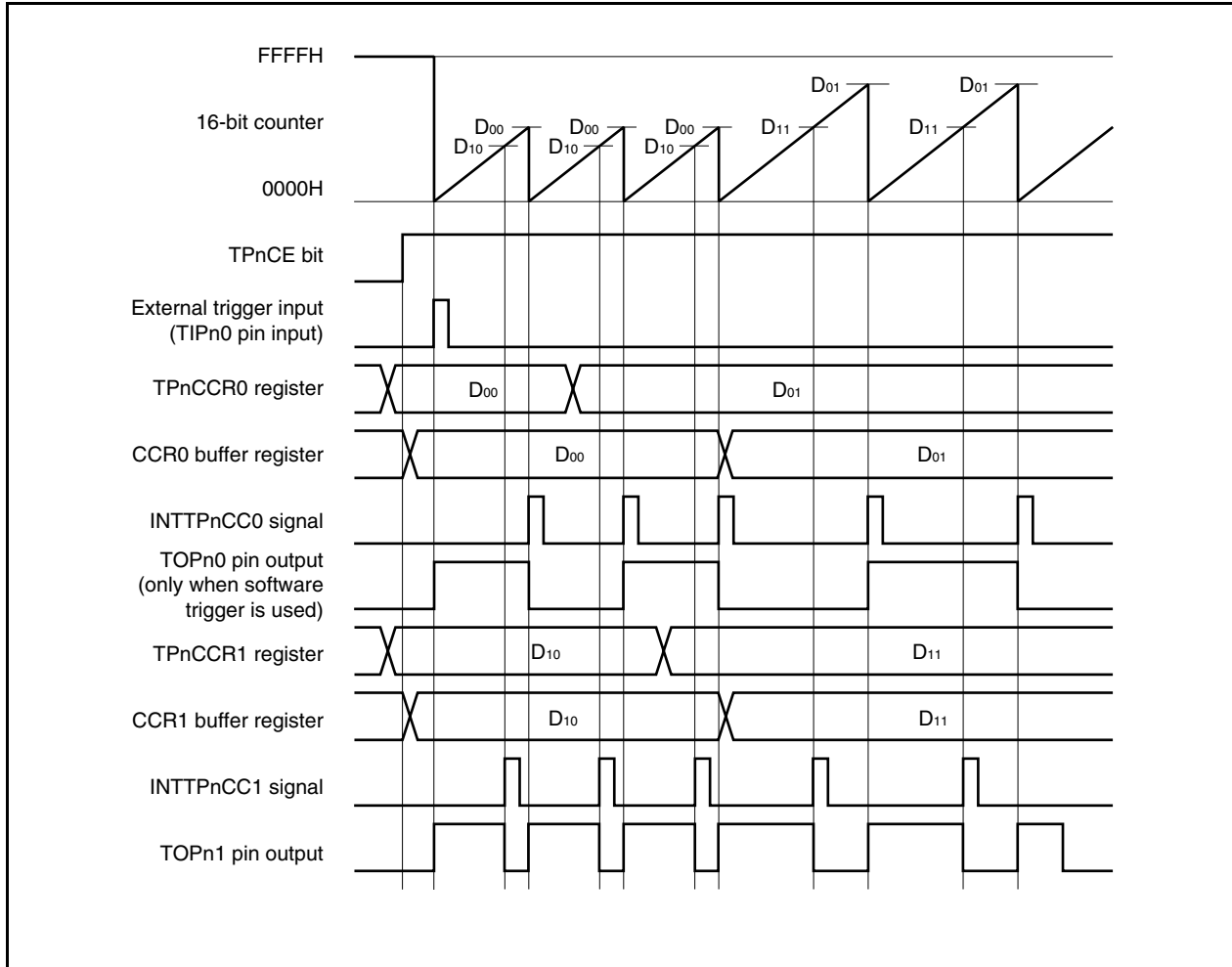
Figure 7-19. Software Processing Flow in External Trigger Pulse Output Mode (2/2)



(2) External trigger pulse output mode operation timing

(a) Note on changing pulse width during operation

To change the PWM waveform while the counter is operating, write the TPnCCR1 register last.
 Rewrite the TPnCCRm register after writing the TPnCCR1 register after the INTTPnCC0 signal is detected.



In order to transfer data from the TPnCCRm register to the CCRm buffer register, the TPnCCR1 register must be written.

To change both the cycle and active level width of the PWM waveform at this time, first set the cycle to the TPnCCR0 register and then set the active level width to the TPnCCR1 register.

To change only the cycle of the PWM waveform, first set the cycle to the TPnCCR0 register, and then write the same value to the TPnCCR1 register.

To change only the active level width (duty factor) of the PWM waveform, only the TPnCCR1 register has to be set.

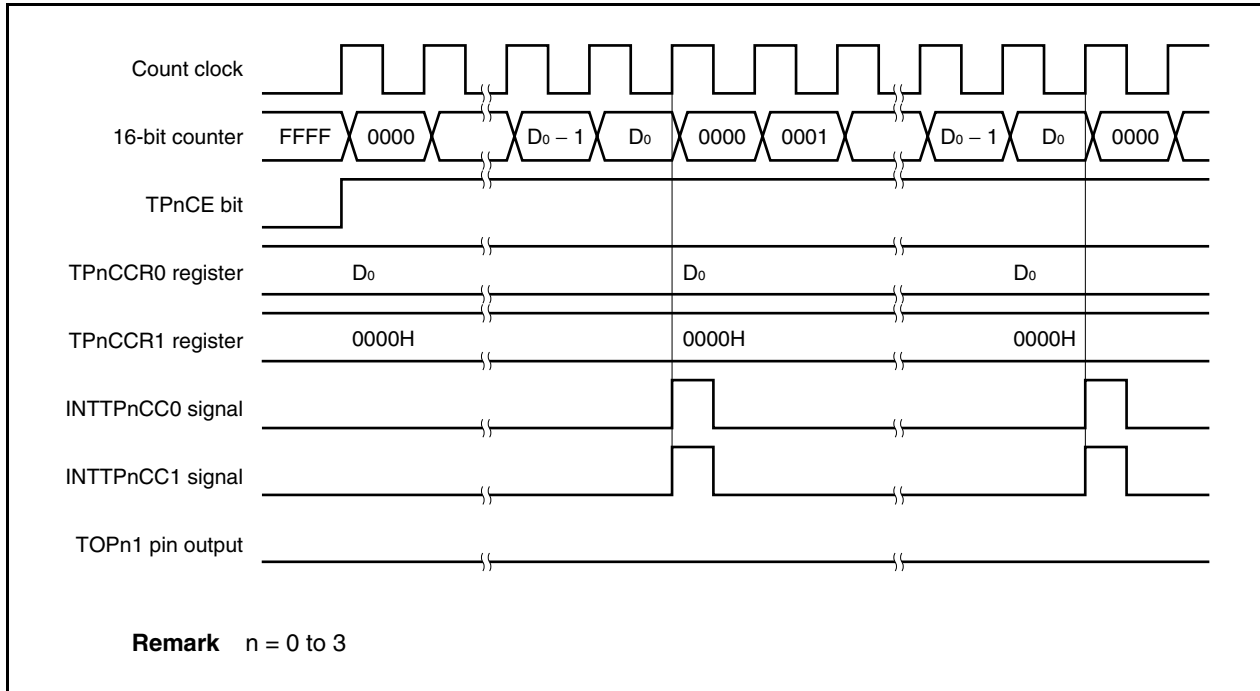
After data is written to the TPnCCR1 register, the value written to the TPnCCRm register is transferred to the CCRm buffer register in synchronization with clearing of the 16-bit counter, and is used as the value compared with the 16-bit counter.

To write the TPnCCR0 or TPnCCR1 register again after writing the TPnCCR1 register once, do so after the INTTPnCC0 signal is generated. Otherwise, the value of the CCRm buffer register may become undefined because the timing of transferring data from the TPnCCRm register to the CCRm buffer register conflicts with writing the TPnCCRm register.

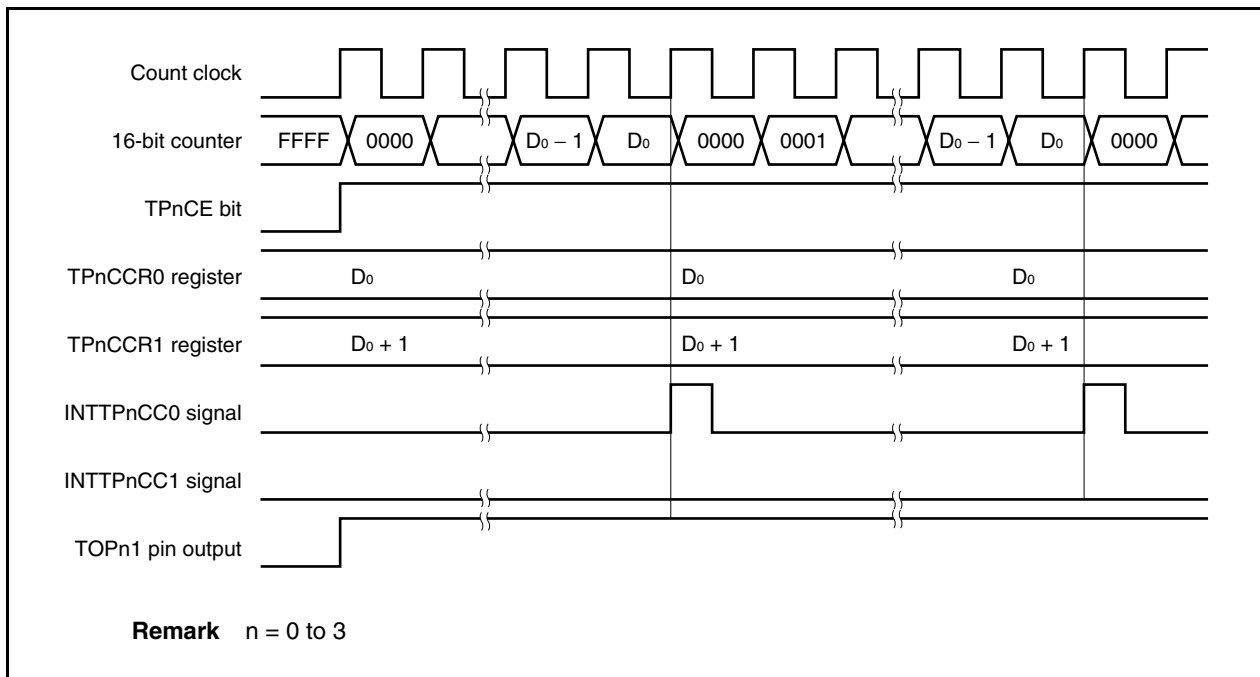
Remark n = 0 to 3
m = 0, 1

(b) 0%/100% output of PWM waveform

To output a 0% waveform, set the TPnCCR1 register to 0000H. If the set value of the TPnCCR0 register is FFFFH, the INTTPnCC1 signal is generated periodically.

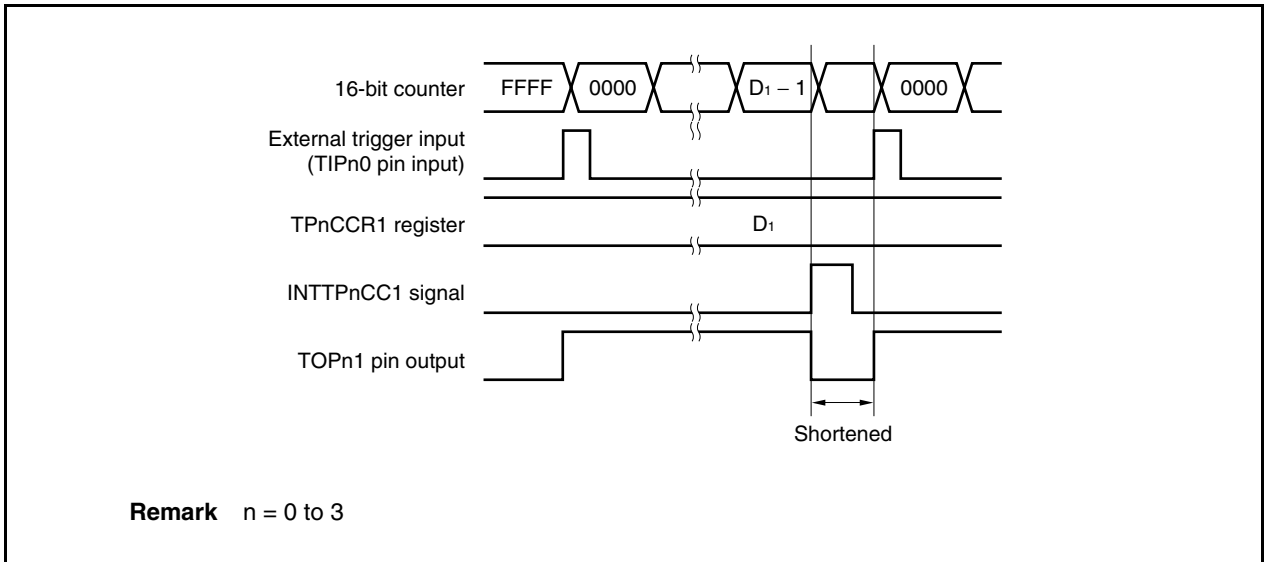


To output a 100% waveform, set a value of (set value of TPnCCR0 register + 1) to the TPnCCR1 register. If the set value of the TPnCCR0 register is FFFFH, 100% output cannot be produced.

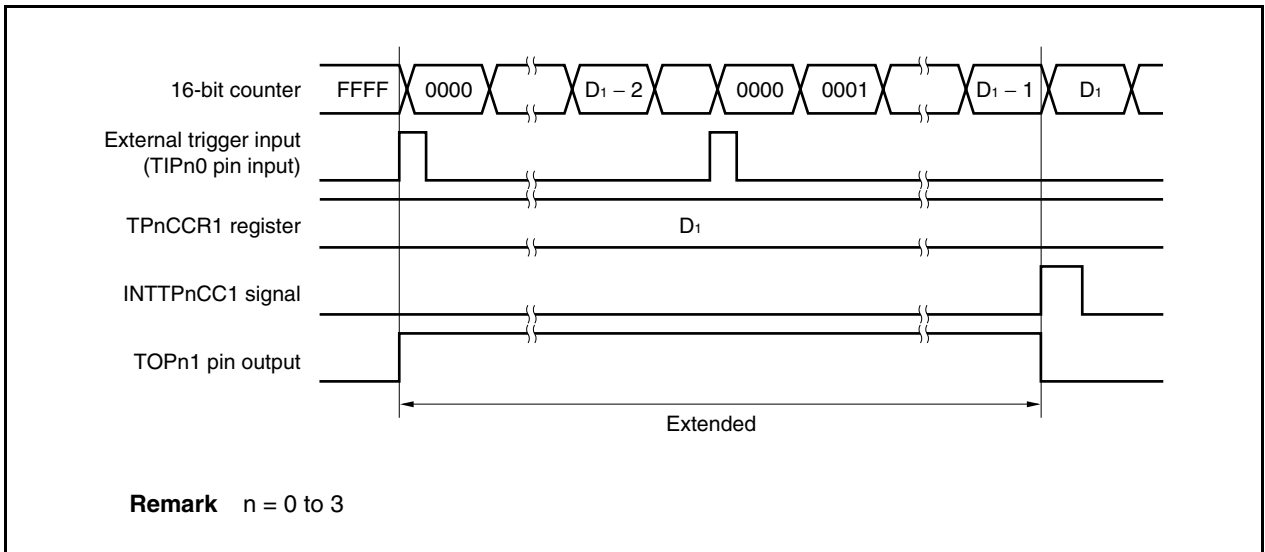


(c) Conflict between trigger detection and match with TPnCCR1 register

If the trigger is detected immediately after the INTTPnCC1 signal is generated, the 16-bit counter is immediately cleared to 0000H, the output signal of the TOPn1 pin is asserted, and the counter continues counting. Consequently, the inactive period of the PWM waveform is shortened.

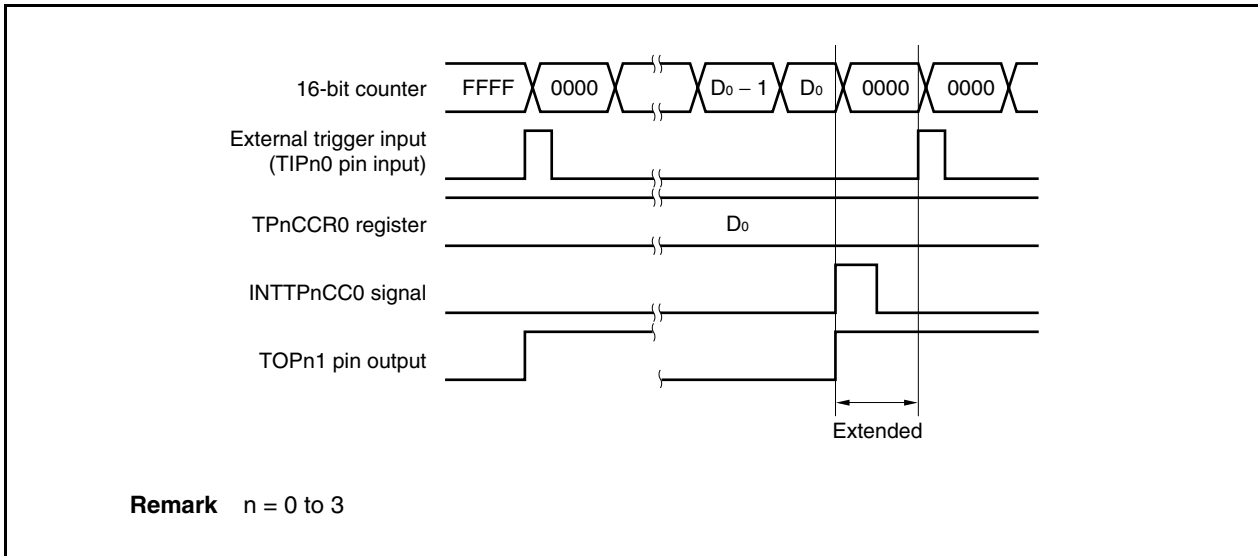


If the trigger is detected immediately before the INTTPnCC1 signal is generated, the INTTPnCC1 signal is not generated, and the 16-bit counter is cleared to 0000H and continues counting. The output signal of the TOPn1 pin remains active. Consequently, the active period of the PWM waveform is extended.

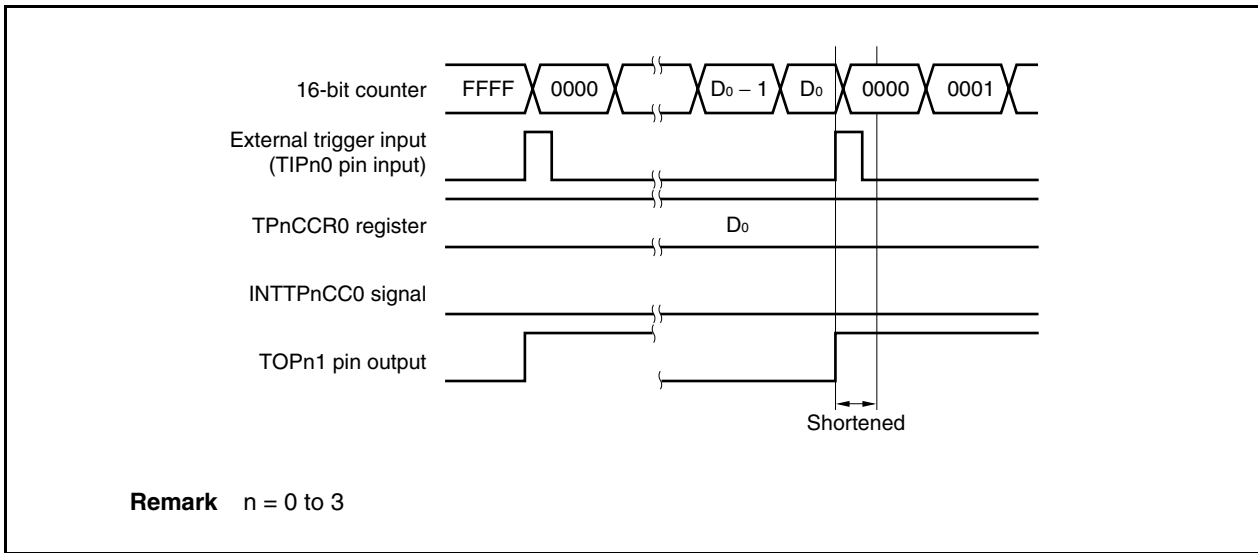


(d) Conflict between trigger detection and match with TPnCCR0 register

If the trigger is detected immediately after the INTTPnCC0 signal is generated, the 16-bit counter is cleared to 0000H and continues counting up. Therefore, the active period of the TOPn1 pin is extended by time from generation of the INTTPnCC0 signal to trigger detection.

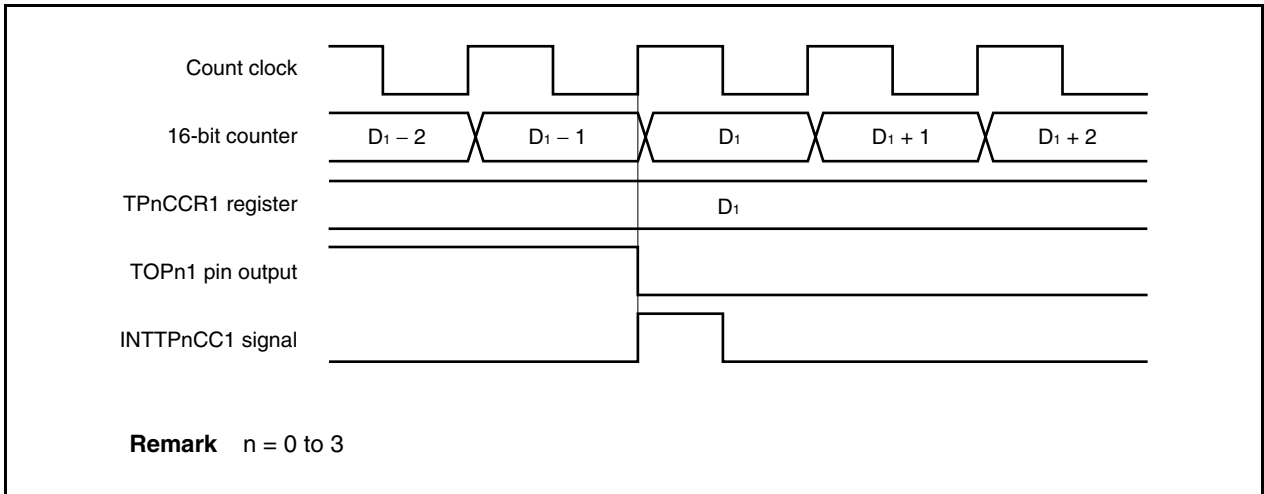


If the trigger is detected immediately before the INTTPnCC0 signal is generated, the INTTPnCC0 signal is not generated. The 16-bit counter is cleared to 0000H, the TOPn1 pin is asserted, and the counter continues counting. Consequently, the inactive period of the PWM waveform is shortened.



(e) Generation timing of compare match interrupt request signal (INTTPnCC1)

The timing of generation of the INTTPnCC1 signal in the external trigger pulse output mode differs from the timing of other INTTPnCC1 signals; the INTTPnCC1 signal is generated when the count value of the 16-bit counter matches the value of the TPnCCR1 register.



Usually, the INTTPnCC1 signal is generated in synchronization with the next count up, after the count value of the 16-bit counter matches the value of the TPnCCR1 register.

In the external trigger pulse output mode, however, it is generated one clock earlier. This is because the timing is changed to match the timing of changing the output signal of the TOPn1 pin.

7.5.4 One-shot pulse output mode (TPnMD2 to TPnMD0 bits = 011)

In the one-shot pulse output mode, 16-bit timer/event counter P waits for a trigger when the TPnCTL0.TPnCE bit is set to 1. When the valid edge of an external trigger input is detected, 16-bit timer/event counter P starts counting, and outputs a one-shot pulse from the TOPn1 pin.

Instead of the external trigger, a software trigger can also be generated to output the pulse. When the software trigger is used, the TOPn0 pin outputs the active level while the 16-bit counter is counting, and the inactive level when the counter is stopped (waiting for a trigger).

Figure 7-20. Configuration in One-Shot Pulse Output Mode

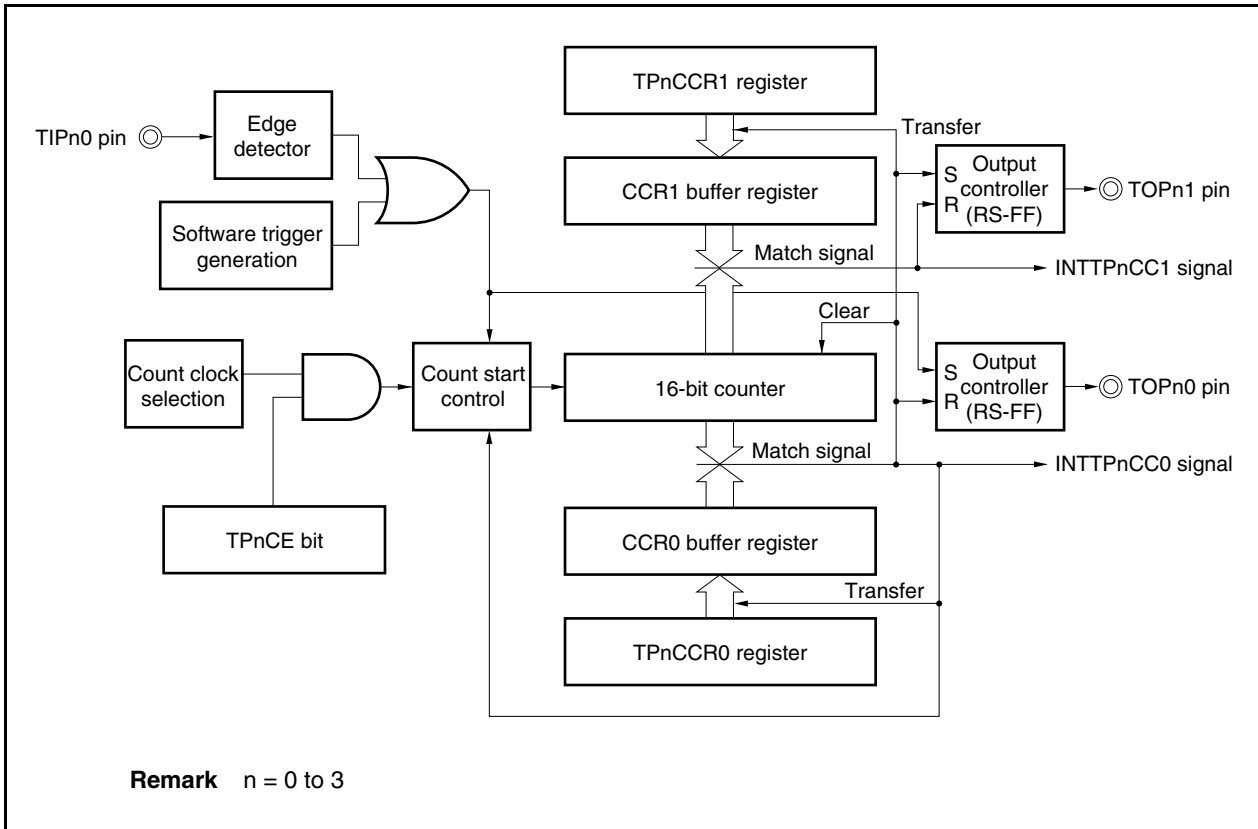
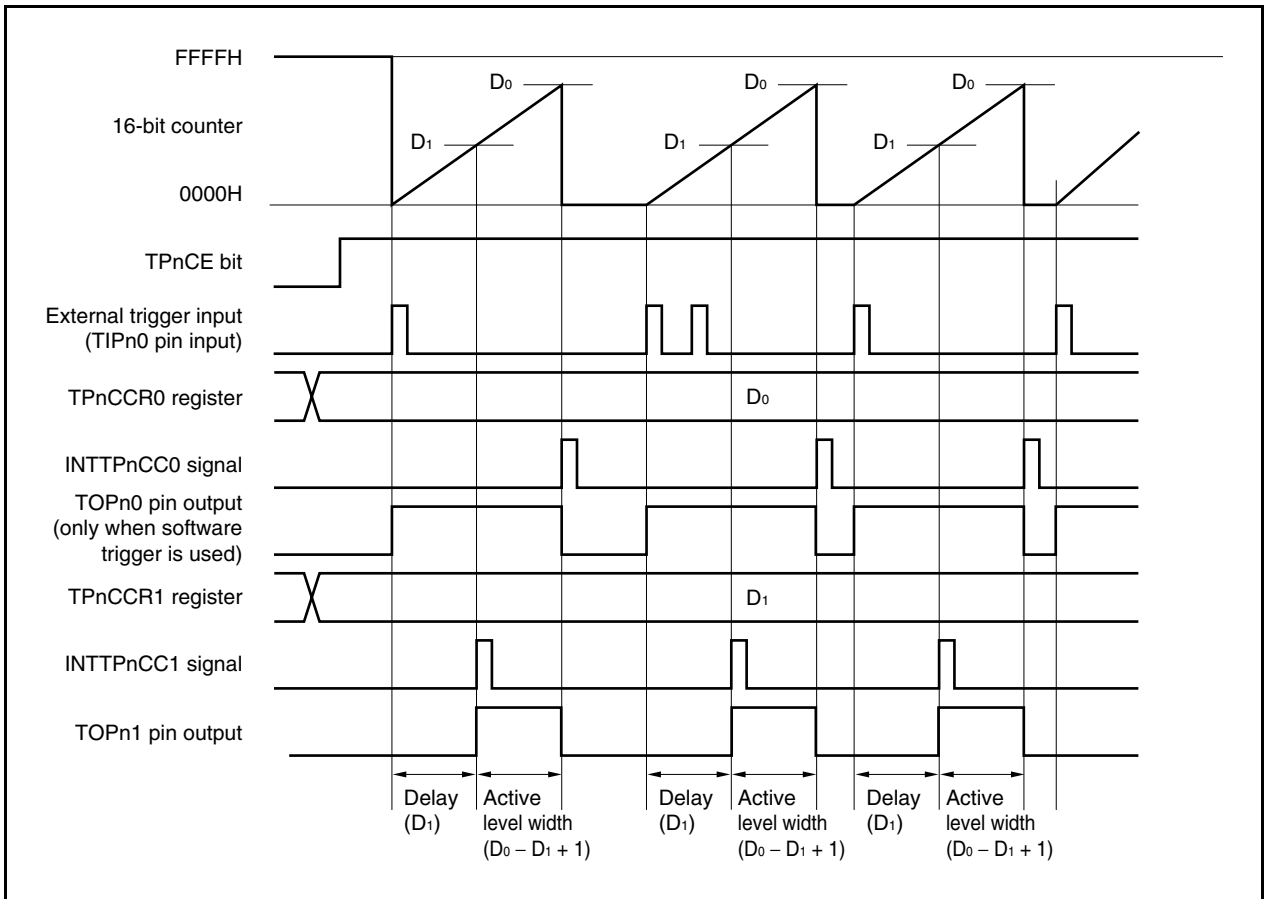


Figure 7-21. Basic Timing in One-Shot Pulse Output Mode



When the TPnCE bit is set to 1, 16-bit timer/event counter P waits for a trigger. When the trigger is generated, the 16-bit counter is cleared from FFFFH to 0000H, starts counting, and outputs a one-shot pulse from the TOPn1 pin. After the one-shot pulse is output, the 16-bit counter is set to FFFFH, stops counting, and waits for a trigger. If a trigger is generated again while the one-shot pulse is being output, it is ignored.

The output delay period and active level width of the one-shot pulse can be calculated as follows.

$$\text{Output delay period} = (\text{Set value of TPnCCR1 register}) \times \text{Count clock cycle}$$

$$\text{Active level width} = (\text{Set value of TPnCCR0 register} - \text{Set value of TPnCCR1 register} + 1) \times \text{Count clock cycle}$$

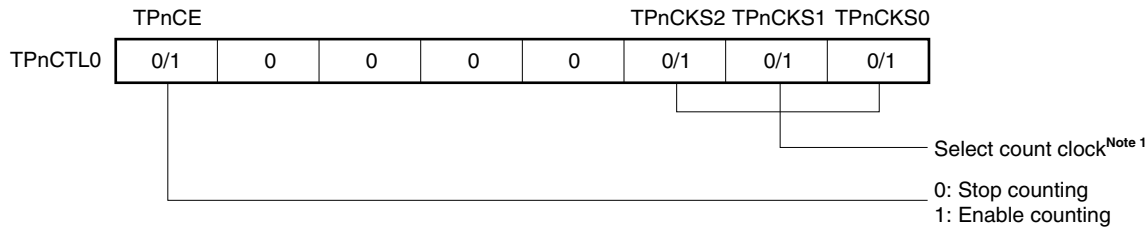
The compare match interrupt request signal INTTPnCC0 is generated when the 16-bit counter counts after its count value matches the value of the CCR0 buffer register. The compare match interrupt request signal INTTPnCC1 is generated when the count value of the 16-bit counter matches the value of the CCR1 buffer register.

The valid edge of an external trigger input or setting the software trigger (TPnCTL1.TPnEST bit) to 1 is used as the trigger.

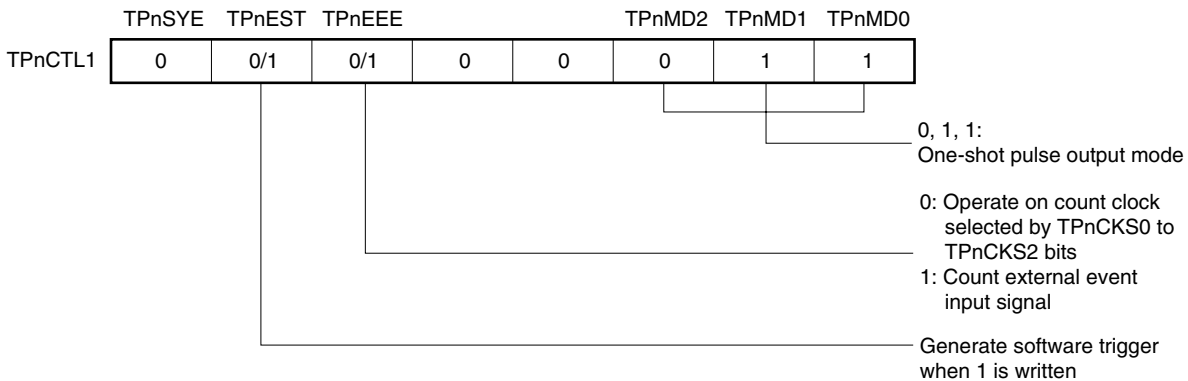
Remark n = 0 to 3
m = 0, 1

Figure 7-22. Register Setting for Operation in One-Shot Pulse Output Mode (1/2)

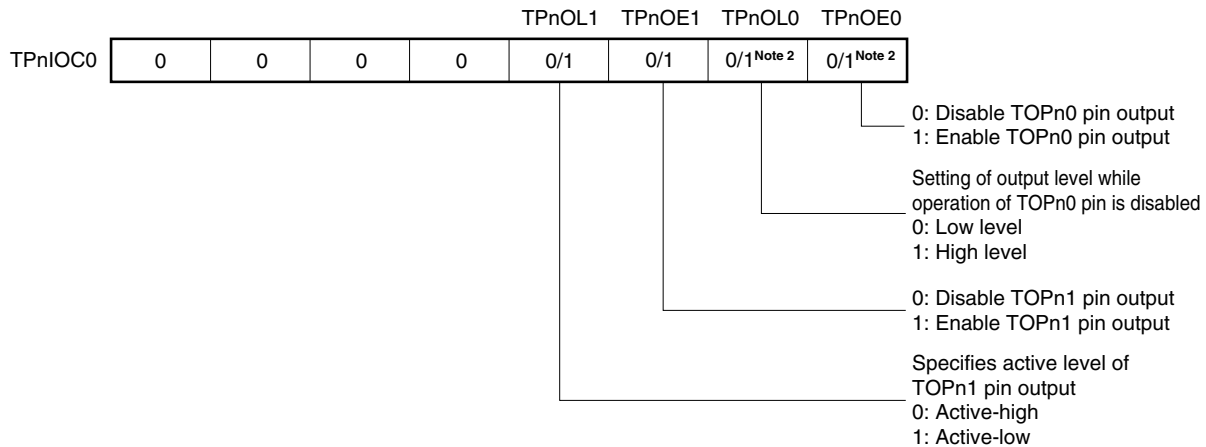
(a) TMPn control register 0 (TPnCTL0)



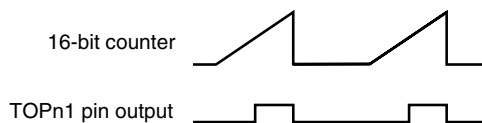
(b) TMPn control register 1 (TPnCTL1)



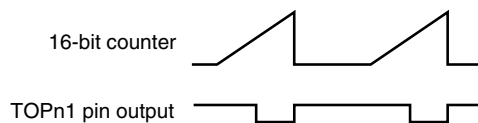
(c) TMPn I/O control register 0 (TPnIOC0)



• When TPnOL1 bit = 0



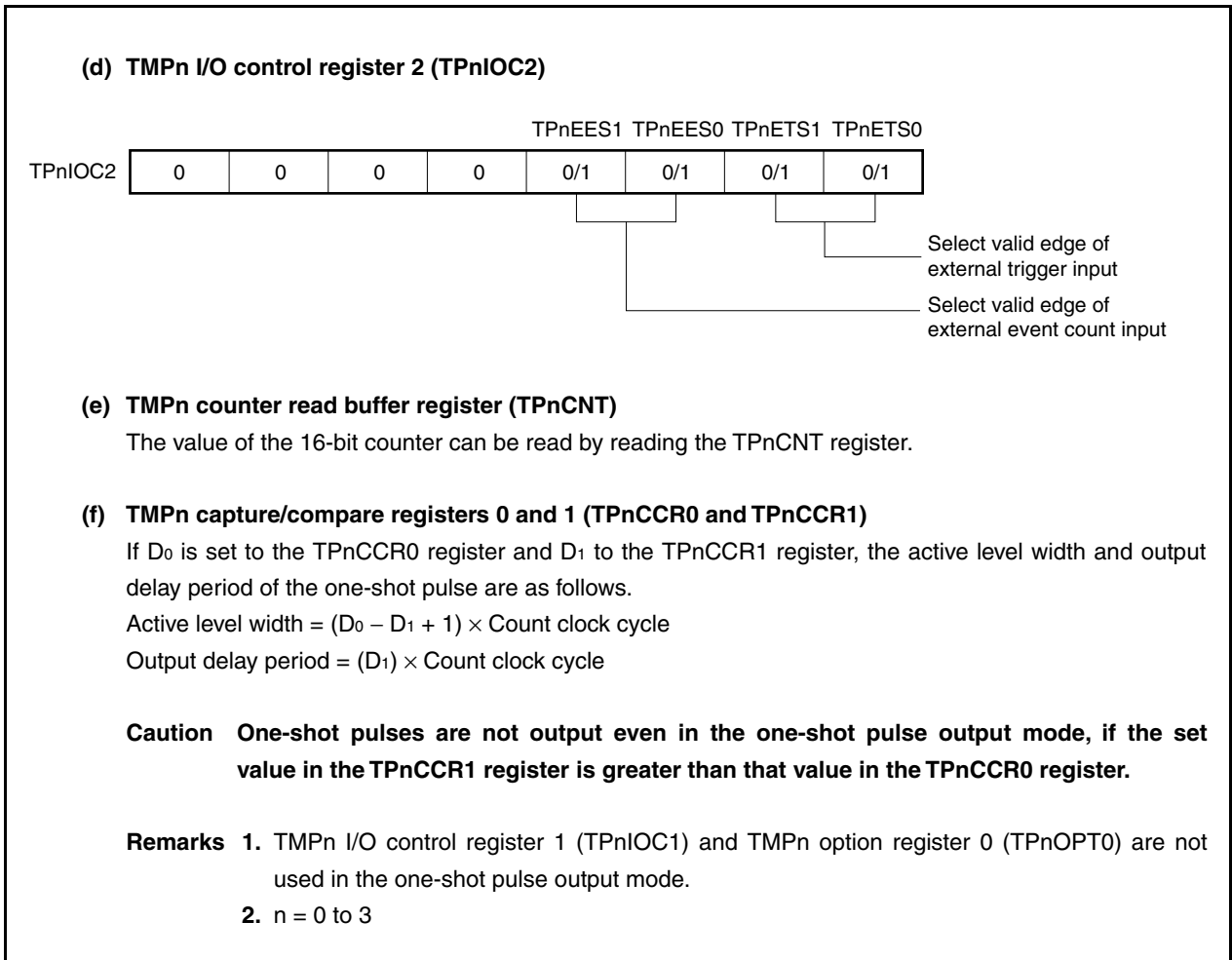
• When TPnOL1 bit = 1



Notes 1. The setting is invalid when the TPnCTL1.TPnEEE bit = 1.

2. Clear this bit to 0 when the TOPn0 pin is not used in the one-shot pulse output mode.

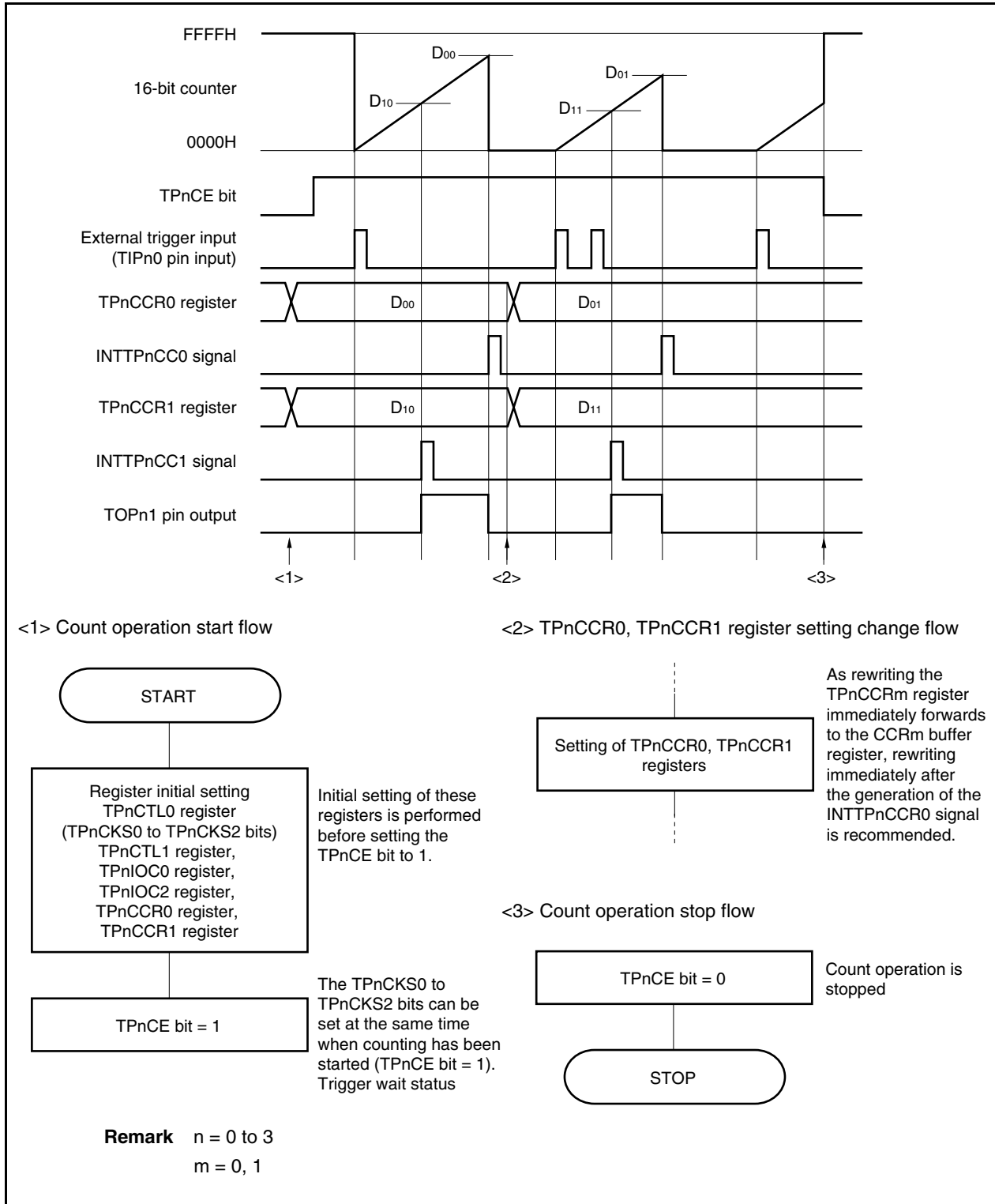
Figure 7-22. Register Setting for Operation in One-Shot Pulse Output Mode (2/2)



<R>

(1) Operation flow in one-shot pulse output mode

Figure 7-23. Software Processing Flow in One-Shot Pulse Output Mode

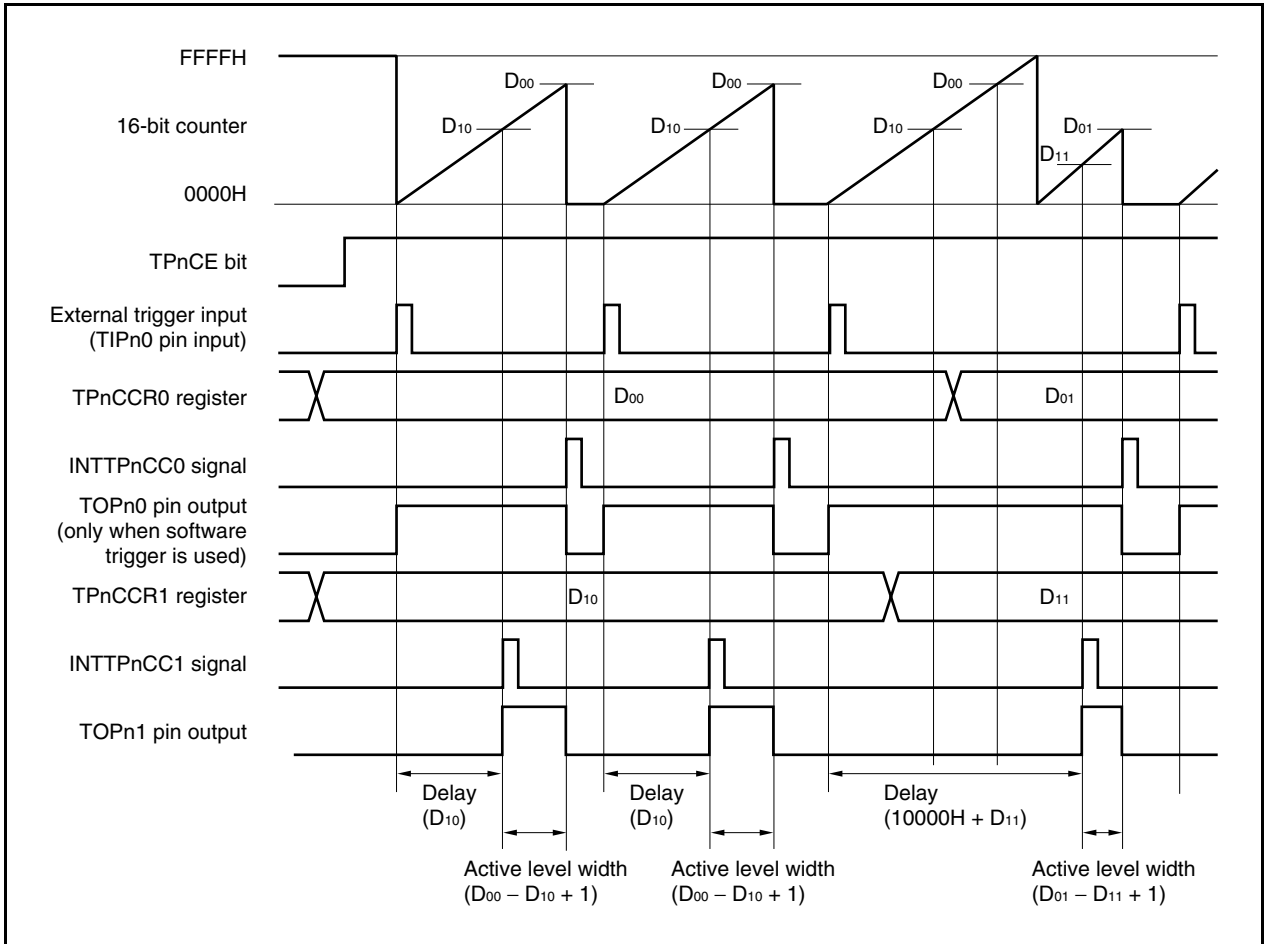


(2) Operation timing in one-shot pulse output mode

(a) Note on rewriting TPnCCRm register

To change the set value of the TPnCCRm register to a smaller value, stop counting once, and then change the set value.

If the value of the TPnCCRm register is rewritten to a smaller value during counting, the 16-bit counter may overflow.



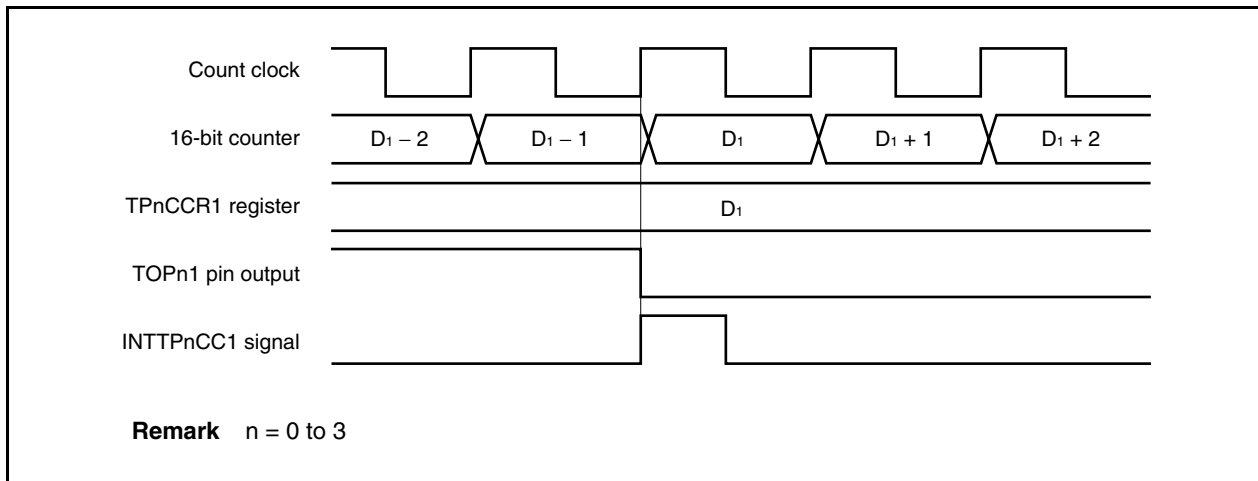
When the TPnCCR0 register is rewritten from D₀₀ to D₀₁ and the TPnCCR1 register from D₁₀ to D₁₁ where D₀₀ > D₀₁ and D₁₀ > D₁₁, if the TPnCCR1 register is rewritten when the count value of the 16-bit counter is greater than D₁₁ and less than D₁₀ and if the TPnCCR0 register is rewritten when the count value is greater than D₀₁ and less than D₀₀, each set value is reflected as soon as the register has been rewritten and compared with the count value. The counter counts up to FFFFH and then counts up again from 0000H. When the count value matches D₁₁, the counter generates the INTTPnCC1 signal and asserts the TOPn1 pin. When the count value matches D₀₁, the counter generates the INTTPnCC0 signal, deasserts the TOPn1 pin, and stops counting.

Therefore, the counter may output a pulse with a delay period or active period different from that of the one-shot pulse that is originally expected.

Remark n = 0 to 3
m = 0, 1

(b) Generation timing of compare match interrupt request signal (INTTPnCC1)

The generation timing of the INTTPnCC1 signal in the one-shot pulse output mode is different from other INTTPnCC1 signals; the INTTPnCC1 signal is generated when the count value of the 16-bit counter matches the value of the TPnCCR1 register.



Usually, the INTTPnCC1 signal is generated when the 16-bit counter counts up next time after its count value matches the value of the TPnCCR1 register.

In the one-shot pulse output mode, however, it is generated one clock earlier. This is because the timing is changed to match the change timing of the TOPn1 pin.

Remark $n = 0$ to 3

7.5.5 PWM output mode (TPnMD2 to TPnMD0 bits = 100)

In the PWM output mode, a PWM waveform is output from the TOPn1 pin when the TPnCTL0.TPnCE bit is set to 1. In addition, a pulse with one cycle of the PWM waveform as half its cycle is output from the TOPn0 pin.

Figure 7-24. Configuration in PWM Output Mode

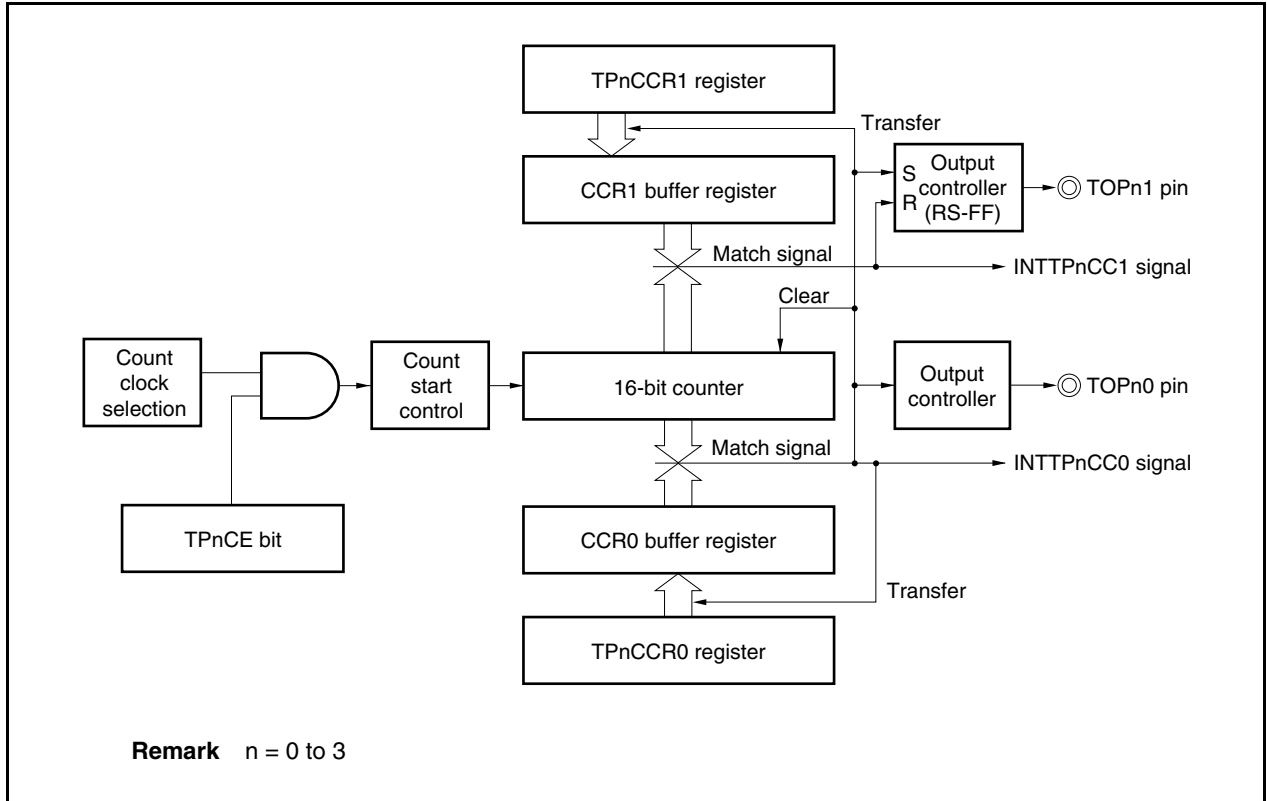
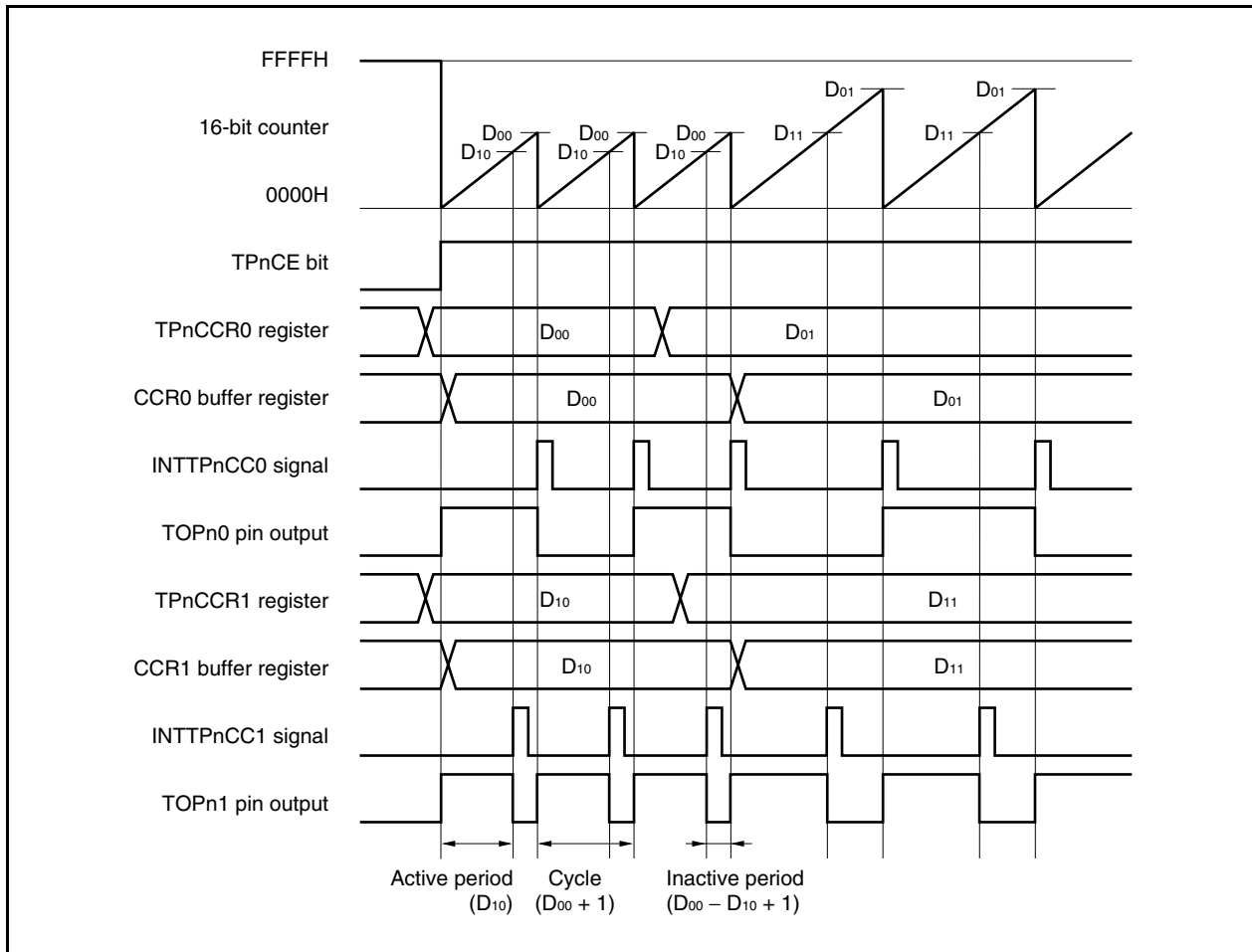


Figure 7-25. Basic Timing in PWM Output Mode



When the TPnCE bit is set to 1, the 16-bit counter is cleared from FFFFH to 0000H, starts counting, and outputs a PWM waveform from the TOPn1 pin.

The active level width, cycle, and duty factor of the PWM waveform can be calculated as follows.

$$\text{Active level width} = (\text{Set value of TPnCCR1 register}) \times \text{Count clock cycle}$$

$$\text{Cycle} = (\text{Set value of TPnCCR0 register} + 1) \times \text{Count clock cycle}$$

$$\text{Duty factor} = (\text{Set value of TPnCCR1 register}) / (\text{Set value of TPnCCR0 register} + 1)$$

The PWM waveform can be changed by rewriting the TPnCCRm register while the counter is operating. The newly written value is reflected when the count value of the 16-bit counter matches the value of the CCR0 buffer register and the 16-bit counter is cleared to 0000H.

The compare match interrupt request signal INTTPnCC0 is generated when the 16-bit counter counts next time after its count value matches the value of the CCR0 buffer register, and the 16-bit counter is cleared to 0000H. The compare match interrupt request signal INTTPnCC1 is generated when the count value of the 16-bit counter matches the value of the CCR1 buffer register.

The value set to the TPnCCRm register is transferred to the CCRm buffer register when the count value of the 16-bit counter matches the value of the CCRm buffer register and the 16-bit counter is cleared to 0000H.

Remark n = 0 to 3, m = 0, 1

Figure 7-26. Setting of Registers in PWM Output Mode (1/2)

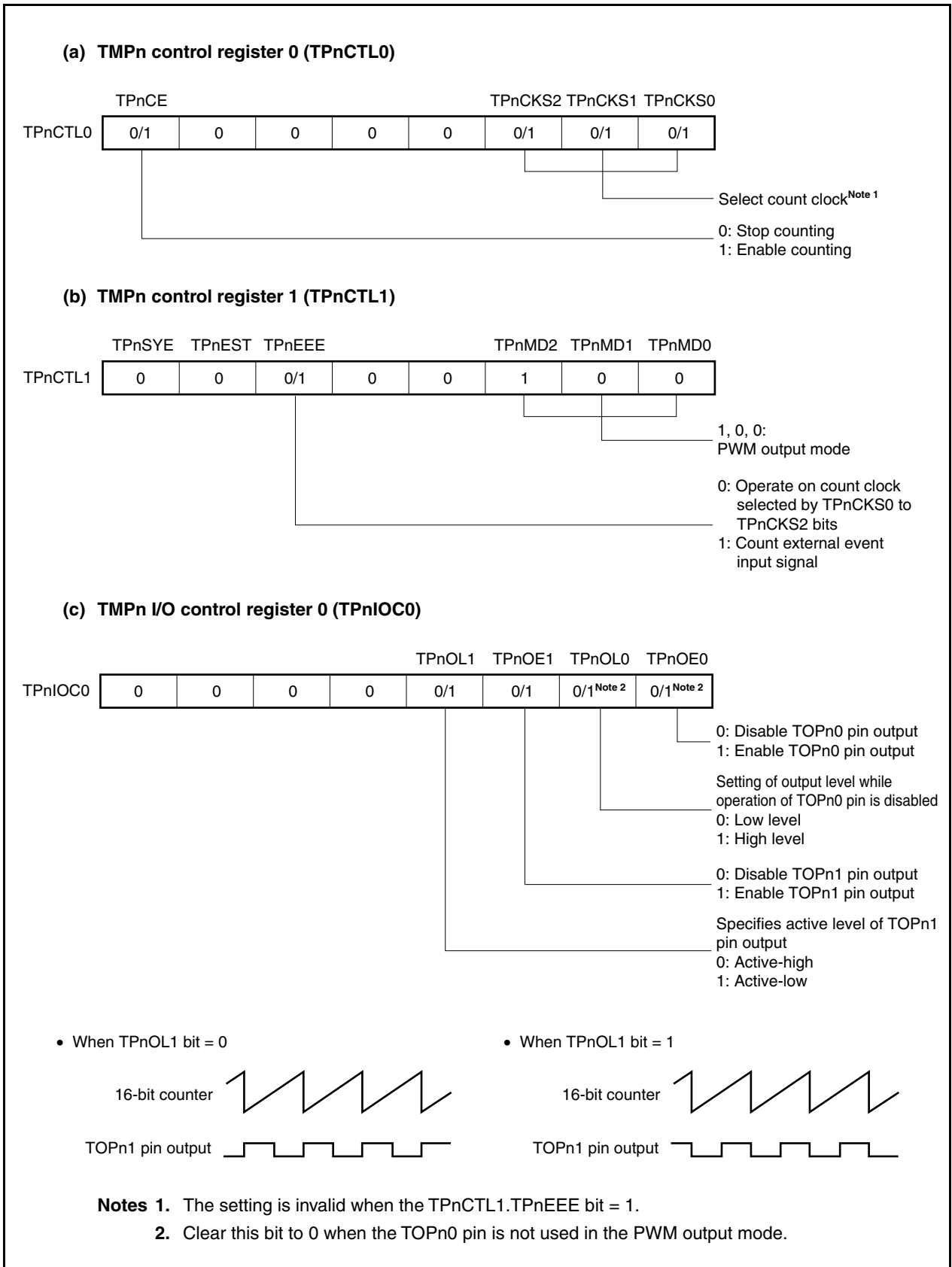
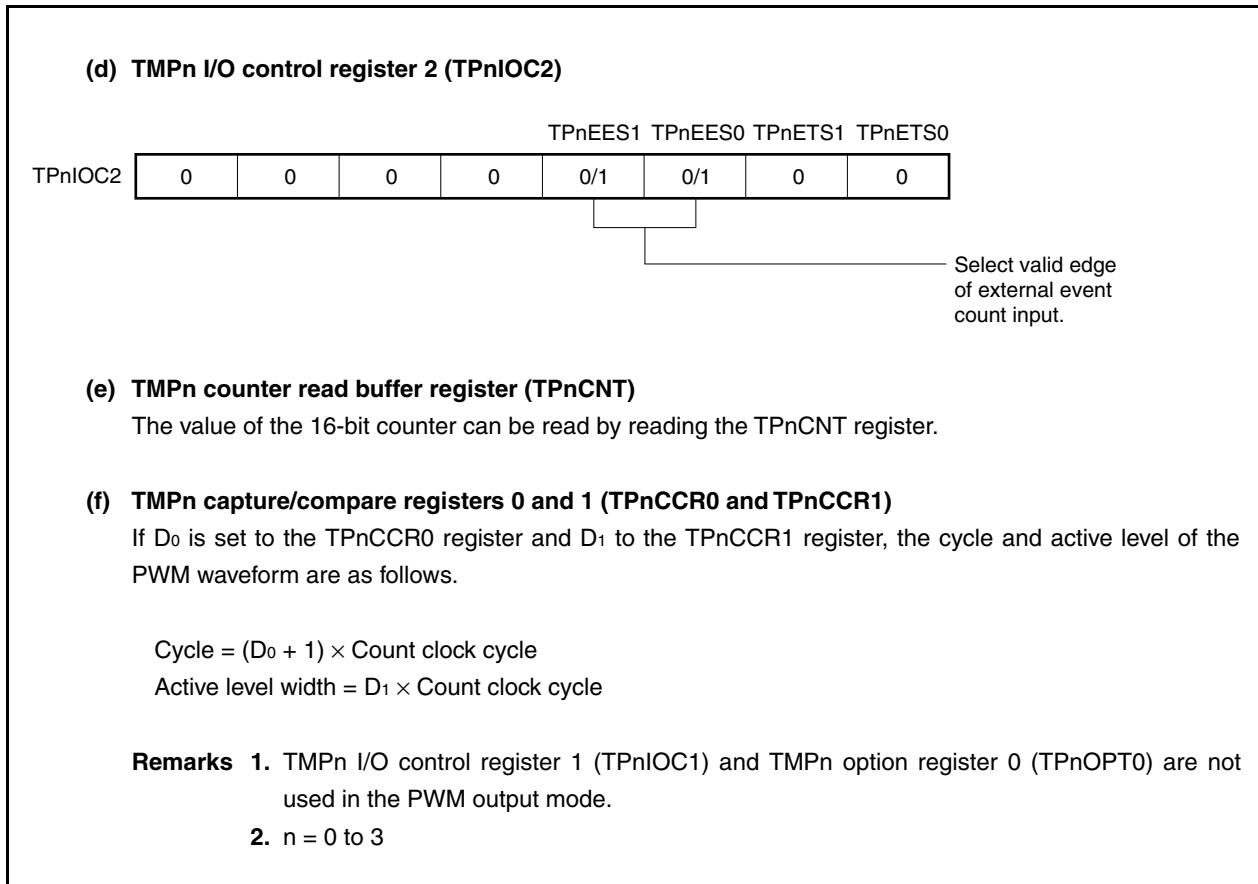


Figure 7-26. Register Setting in PWM Output Mode (2/2)



(1) Operation flow in PWM output mode

Figure 7-27. Software Processing Flow in PWM Output Mode (1/2)

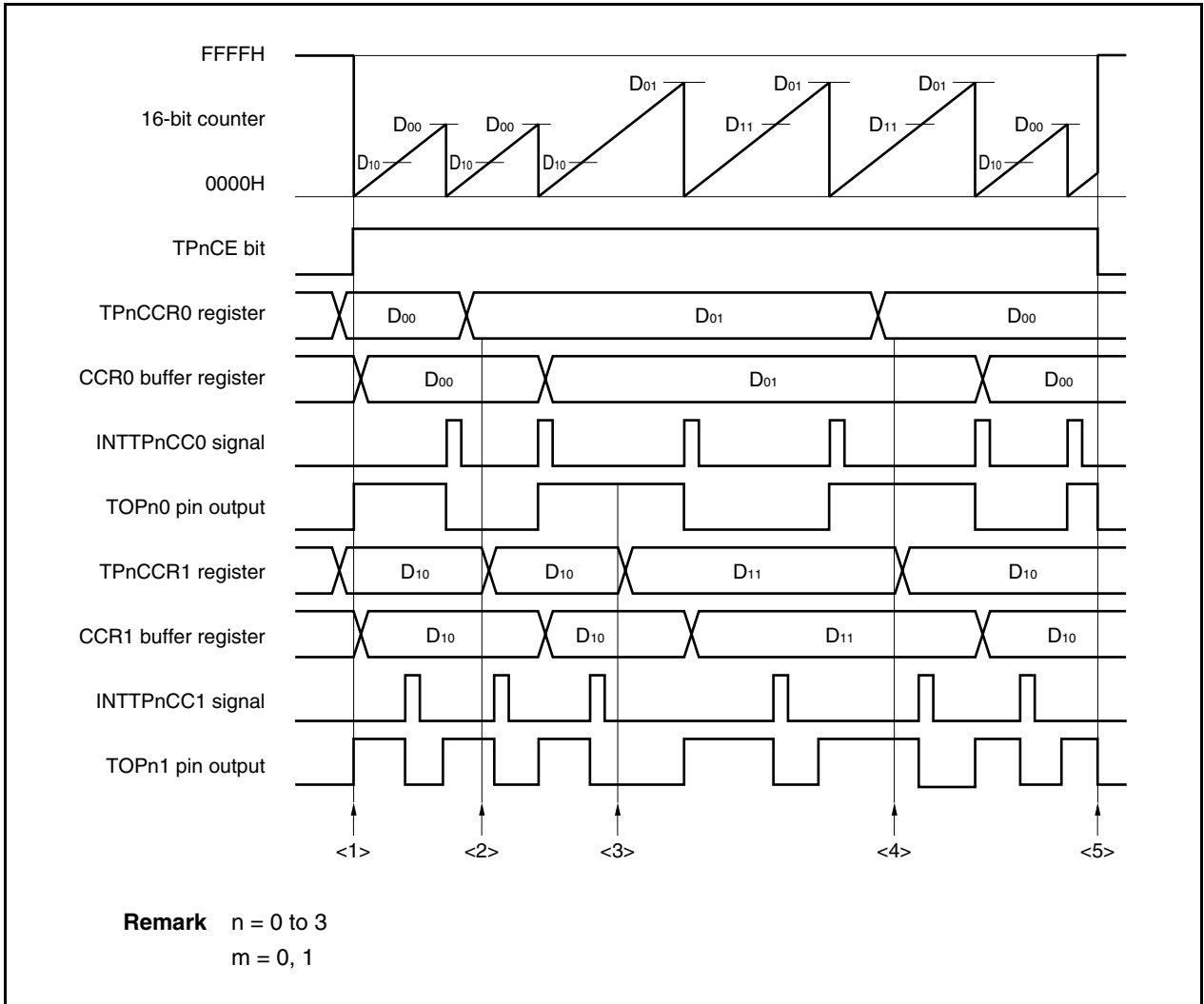
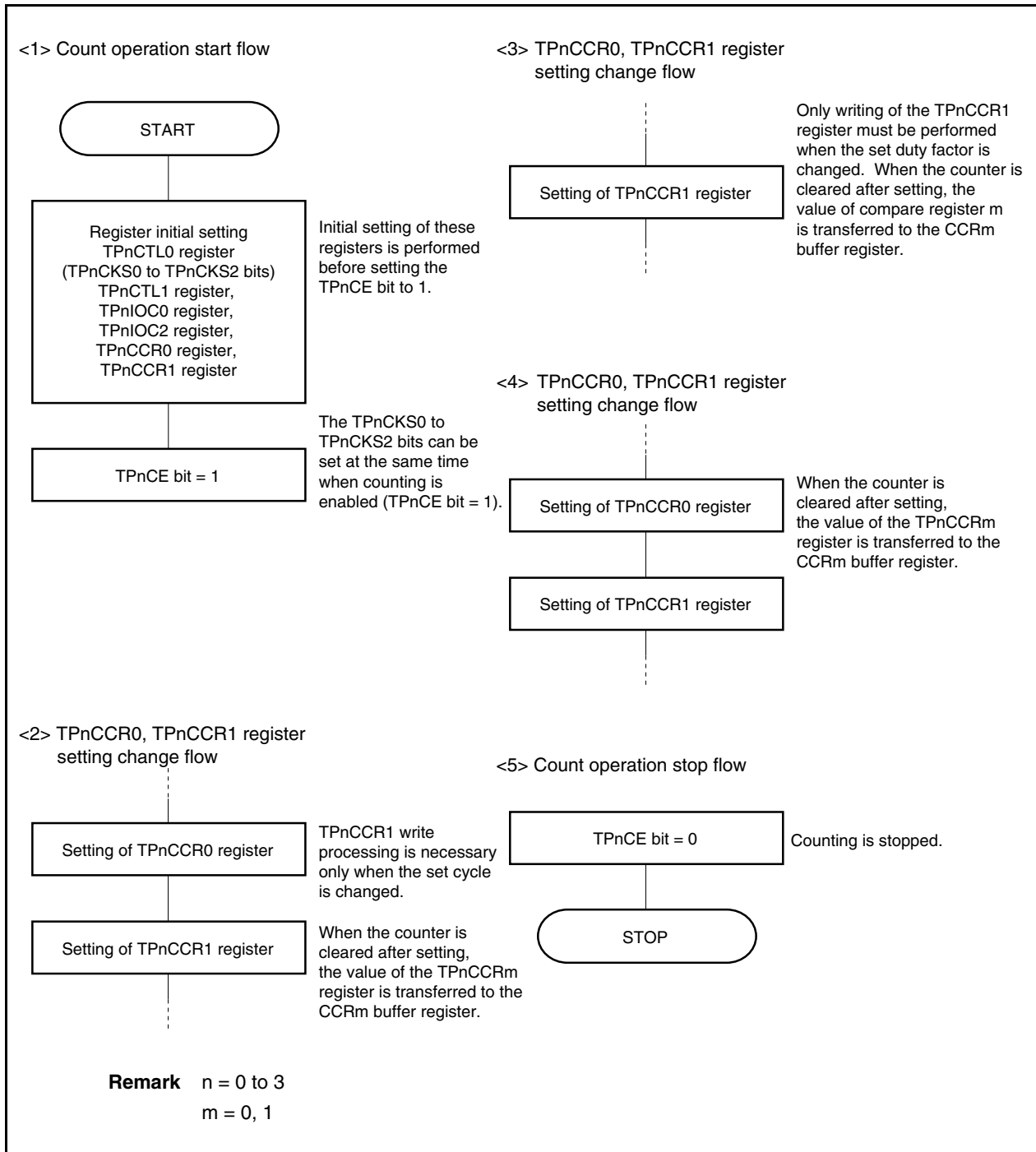


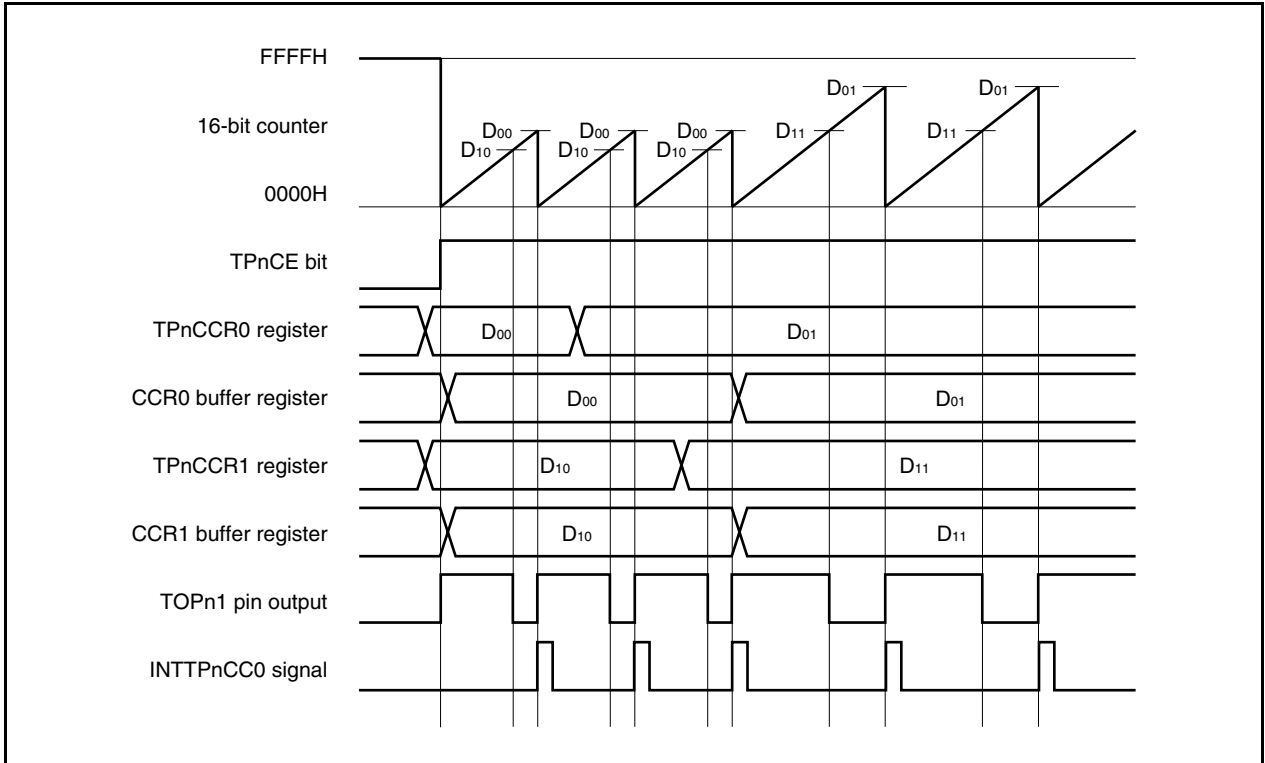
Figure 7-27. Software Processing Flow in PWM Output Mode (2/2)



(2) PWM output mode operation timing**(a) Changing pulse width during operation**

To change the PWM waveform while the counter is operating, write the TPnCCR1 register last.

Rewrite the TPnCCRm register after writing the TPnCCR1 register after the INTTPnCC1 signal is detected.



To transfer data from the TPnCCRm register to the CCRm buffer register, the TPnCCR1 register must be written.

To change both the cycle and active level of the PWM waveform at this time, first set the cycle to the TPnCCR0 register and then set the active level to the TPnCCR1 register.

To change only the cycle of the PWM waveform, first set the cycle to the TPnCCR0 register, and then write the same value to the TPnCCR1 register.

To change only the active level width (duty factor) of the PWM waveform, only the TPnCCR1 register has to be set.

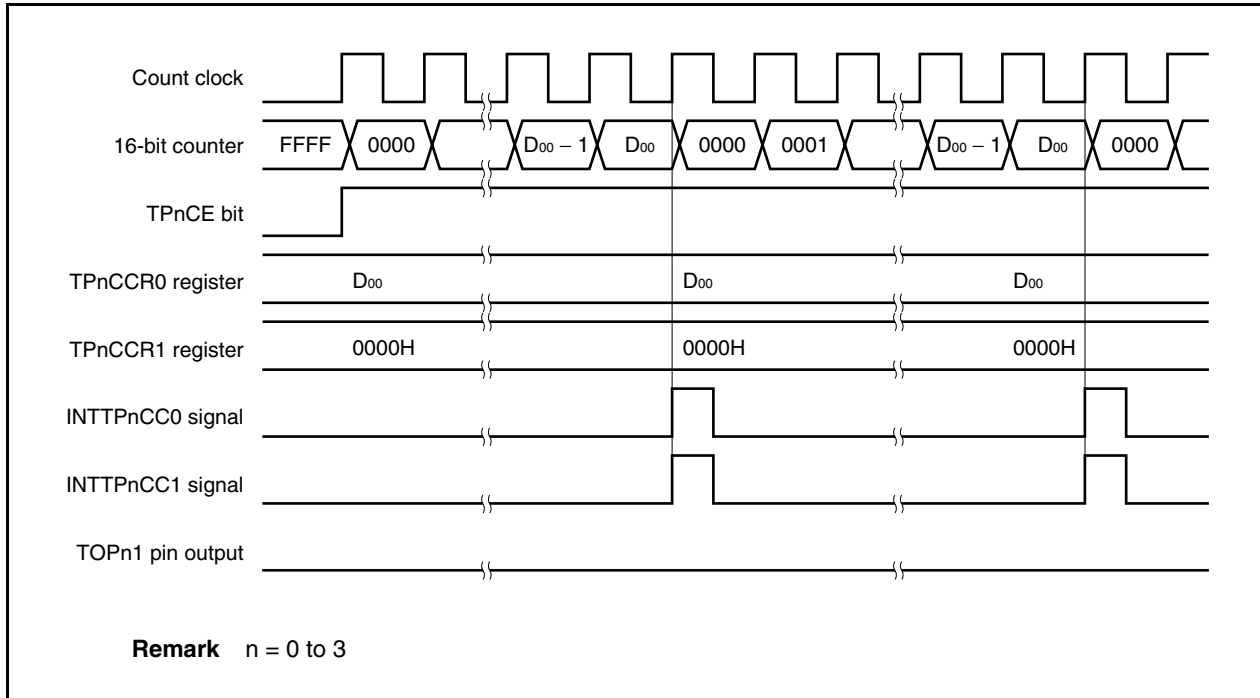
After data is written to the TPnCCR1 register, the value written to the TPnCCRm register is transferred to the CCRm buffer register in synchronization with clearing of the 16-bit counter, and is used as the value compared with the 16-bit counter.

To write the TPnCCR0 or TPnCCR1 register again after writing the TPnCCR1 register once, do so after the INTTPnCC0 signal is generated. Otherwise, the value of the CCRm buffer register may become undefined because the timing of transferring data from the TPnCCRm register to the CCRm buffer register conflicts with writing the TPnCCRm register.

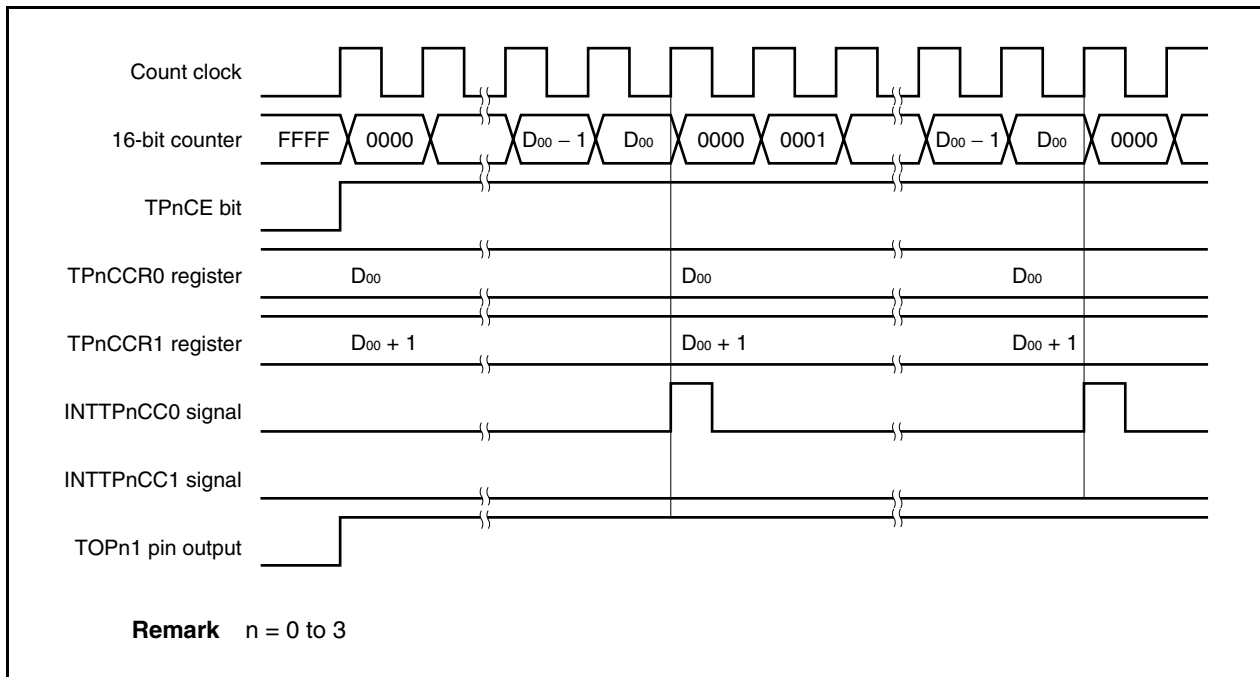
Remark n = 0 to 3, m = 0, 1

(b) 0%/100% output of PWM waveform

To output a 0% waveform, set the TPnCCR1 register to 0000H. If the set value of the TPnCCR0 register is FFFFH, the INTTPnCC1 signal is generated periodically.

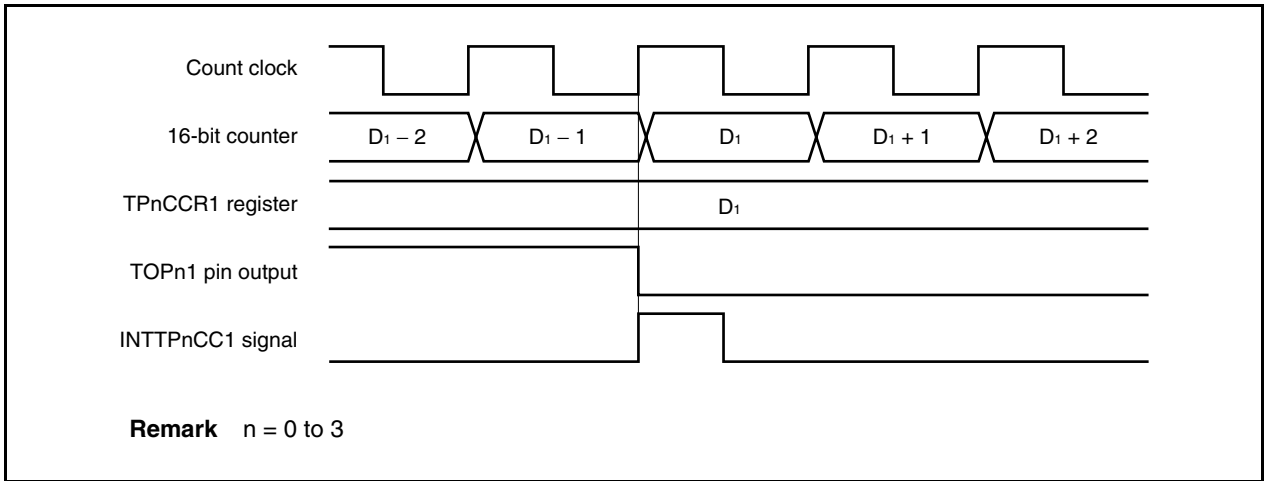


To output a 100% waveform, set a value of (set value of TPnCCR0 register + 1) to the TPnCCR1 register. If the set value of the TPnCCR0 register is FFFFH, 100% output cannot be produced.



(c) Generation timing of compare match interrupt request signal (INTTPnCC1)

The timing of generation of the INTTPnCC1 signal in the PWM output mode differs from the timing of other INTTPnCC1 signals; the INTTPnCC1 signal is generated when the count value of the 16-bit counter matches the value of the TPnCCR1 register.



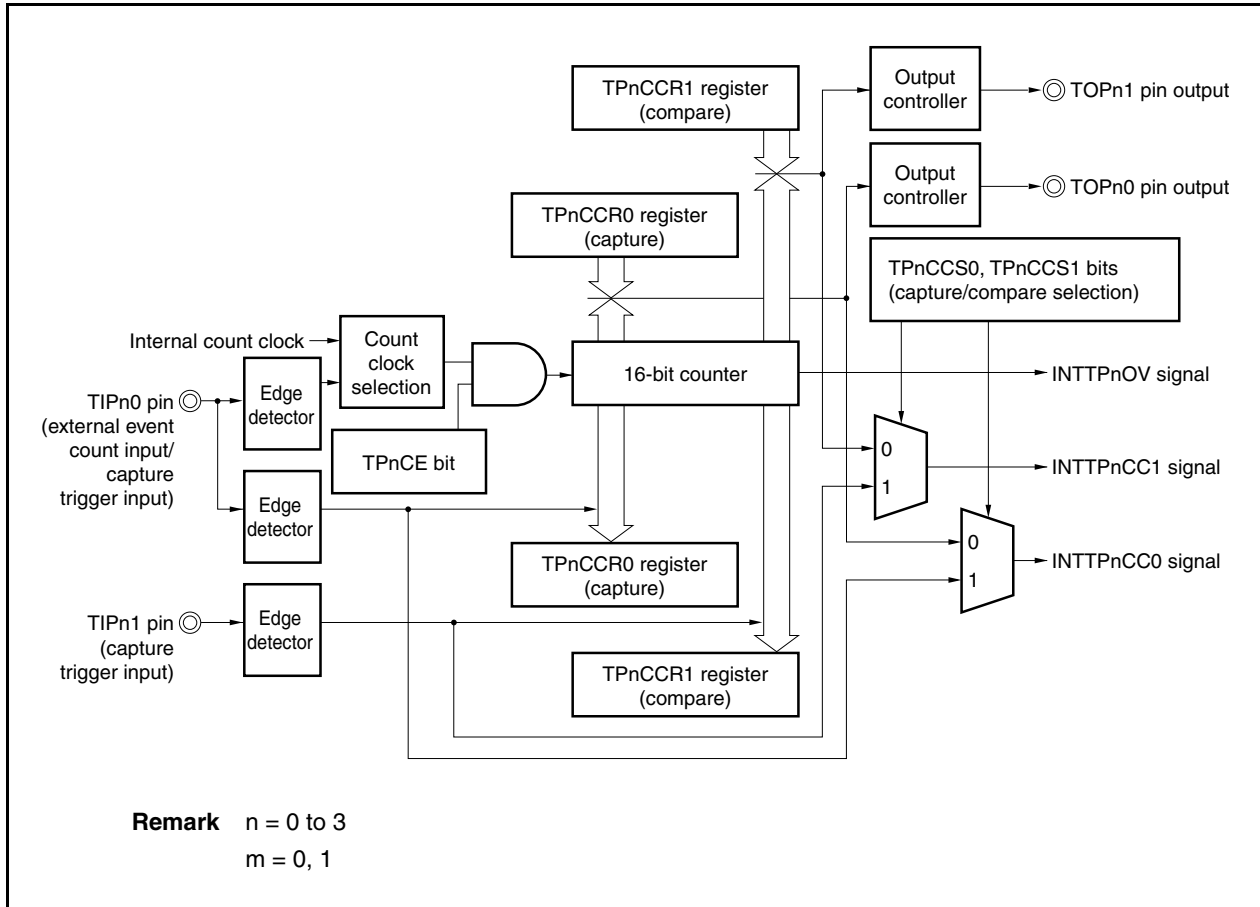
Usually, the INTTPnCC1 signal is generated in synchronization with the next counting up after the count value of the 16-bit counter matches the value of the TPnCCR1 register.

In the PWM output mode, however, it is generated one clock earlier. This is because the timing is changed to match the change timing of the output signal of the TOPn1 pin.

7.5.6 Free-running timer mode (TPnMD2 to TPnMD0 bits = 101)

In the free-running timer mode, 16-bit timer/event counter P starts counting when the TPnCTL0.TPnCE bit is set to 1. At this time, the TPnCCRm register can be used as a compare register or a capture register, depending on the setting of the TPnOPT0.TPnCCS0 and TPnOPT0.TPnCCS1 bits.

Figure 7-28. Configuration in Free-Running Timer Mode

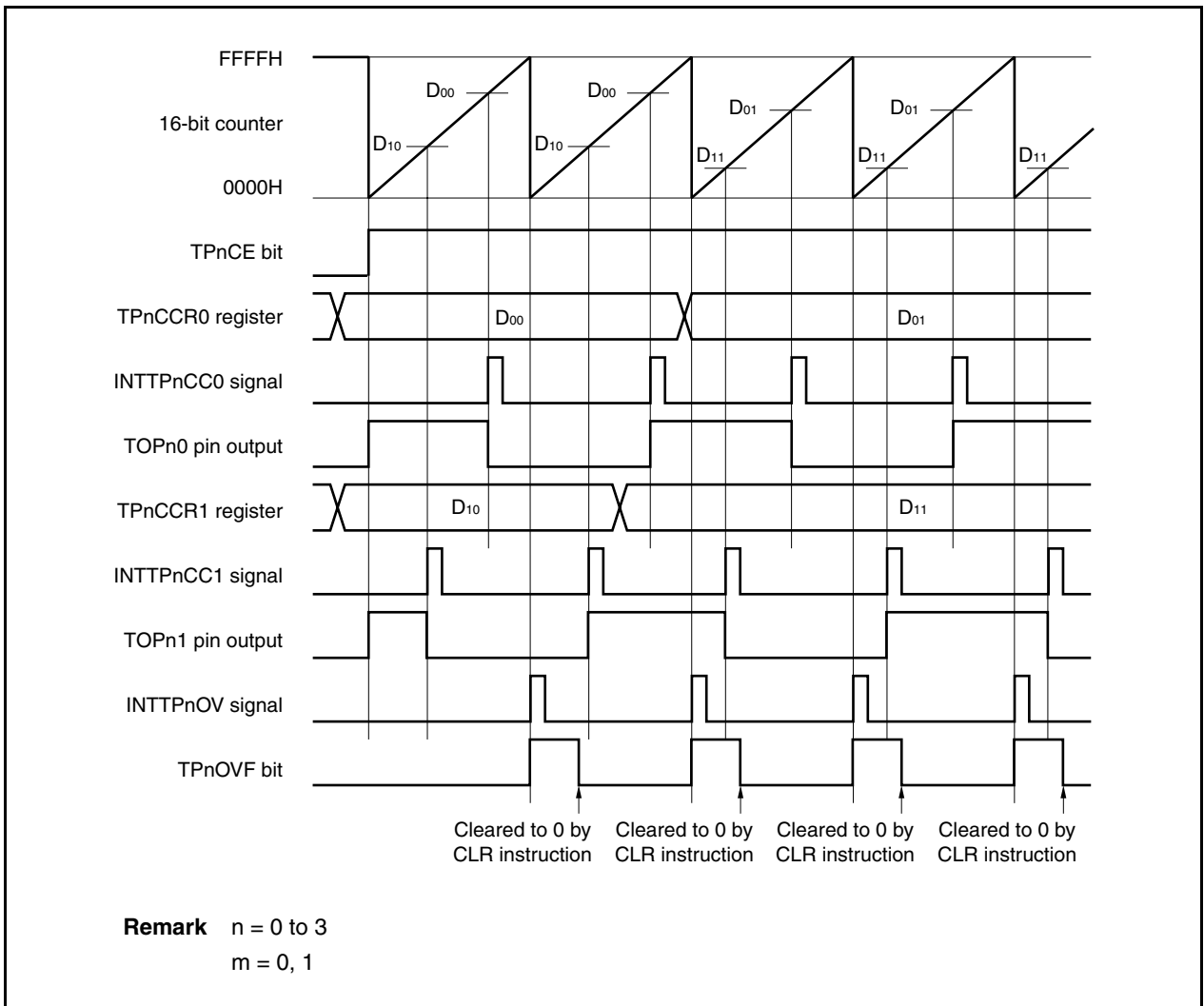


When the TPnCE bit is set to 1, 16-bit timer/event counter P starts counting, and the output signals of the TOPn0 and TOPn1 pins are inverted. When the count value of the 16-bit counter later matches the set value of the TPnCCRm register, a compare match interrupt request signal (INTTPnCCm) is generated, and the output signal of the TOPnm pin is inverted.

The 16-bit counter continues counting in synchronization with the count clock. When it counts up to FFFFH, it generates an overflow interrupt request signal (INTTPnOV) at the next clock, is cleared to 0000H, and continues counting. At this time, the overflow flag (TPnOPT0.TPnOVF bit) is also set to 1. Clear the overflow flag to 0 by executing the CLR instruction by software.

The TPnCCRm register can be rewritten while the counter is operating. If it is rewritten, the new value is reflected at that time, and compared with the count value.

Figure 7-29. Basic Timing in Free-Running Timer Mode (Compare Function)



When the TPnCE bit is set to 1, the 16-bit counter starts counting. When the valid edge input to the TIPnm pin is detected, the count value of the 16-bit counter is stored in the TPnCCRm register, and a capture interrupt request signal (INTTPnCCm) is generated.

The 16-bit counter continues counting in synchronization with the count clock. When it counts up to FFFFH, it generates an overflow interrupt request signal (INTTPnOV) at the next clock, is cleared to 0000H, and continues counting. At this time, the overflow flag (TPnOPT0.TPnOVF bit) is also set to 1. Clear the overflow flag to 0 by executing the CLR instruction by software.

Figure 7-30. Basic Timing in Free-Running Timer Mode (Capture Function)

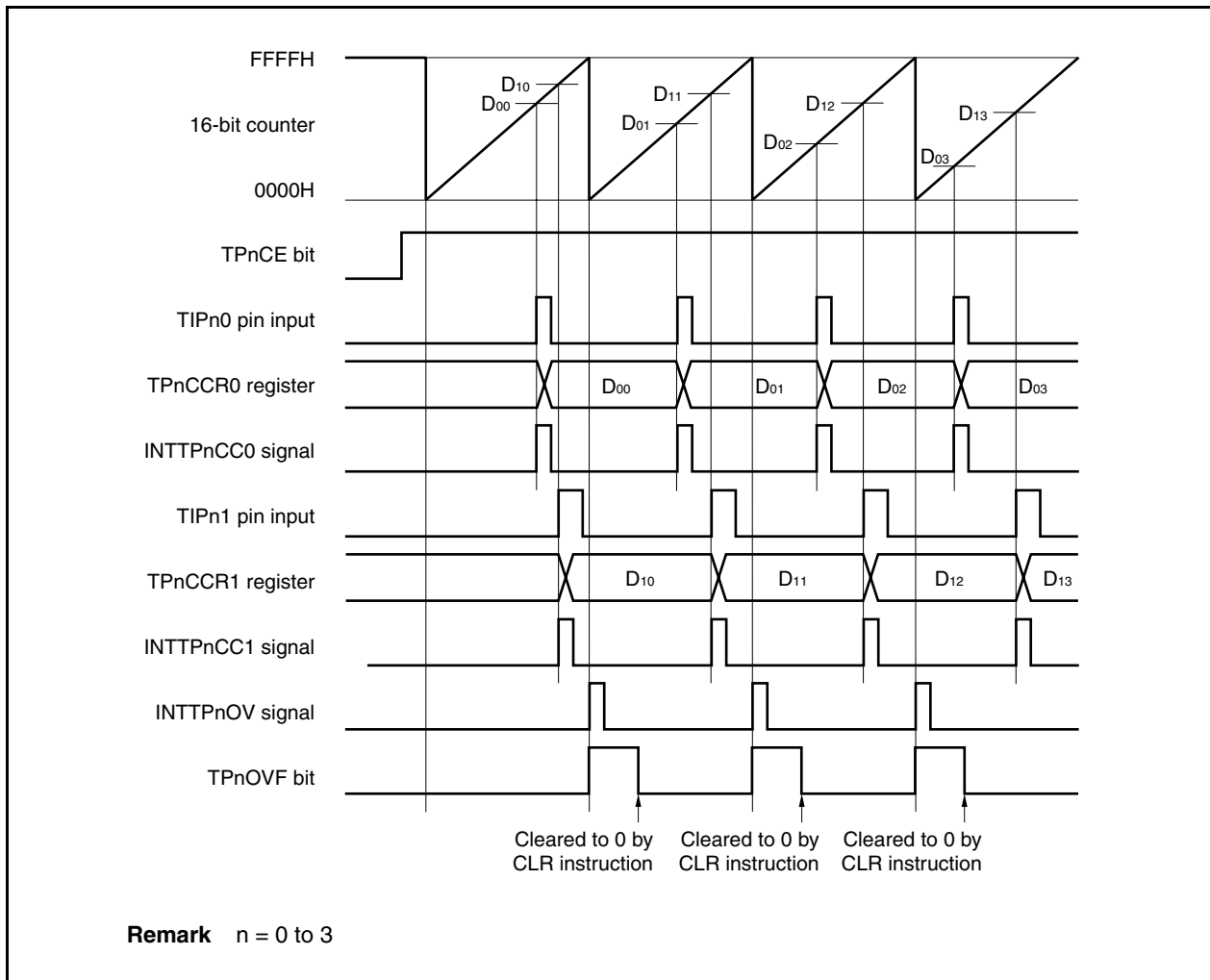


Figure 7-31. Register Setting in Free-Running Timer Mode (1/2)

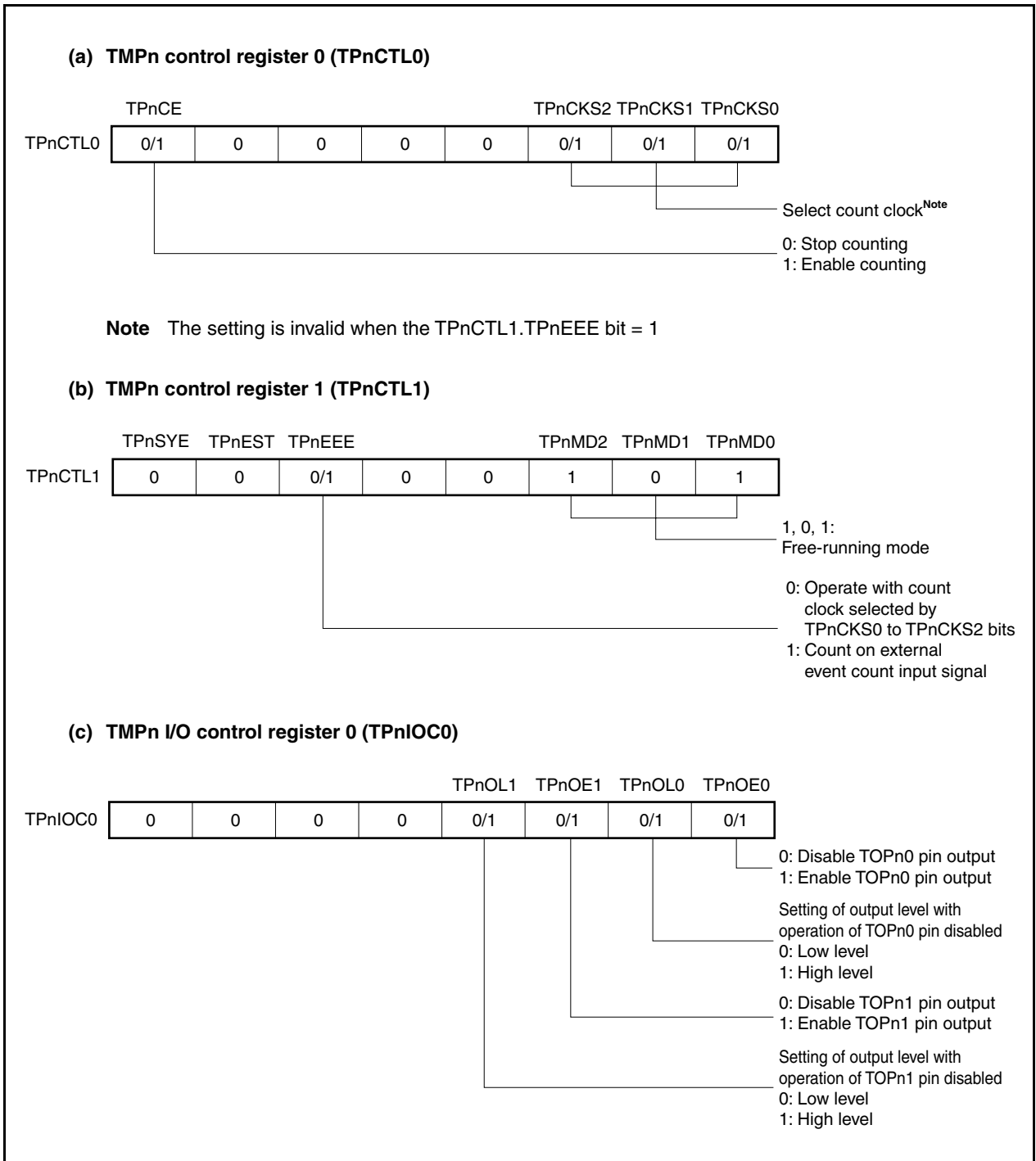
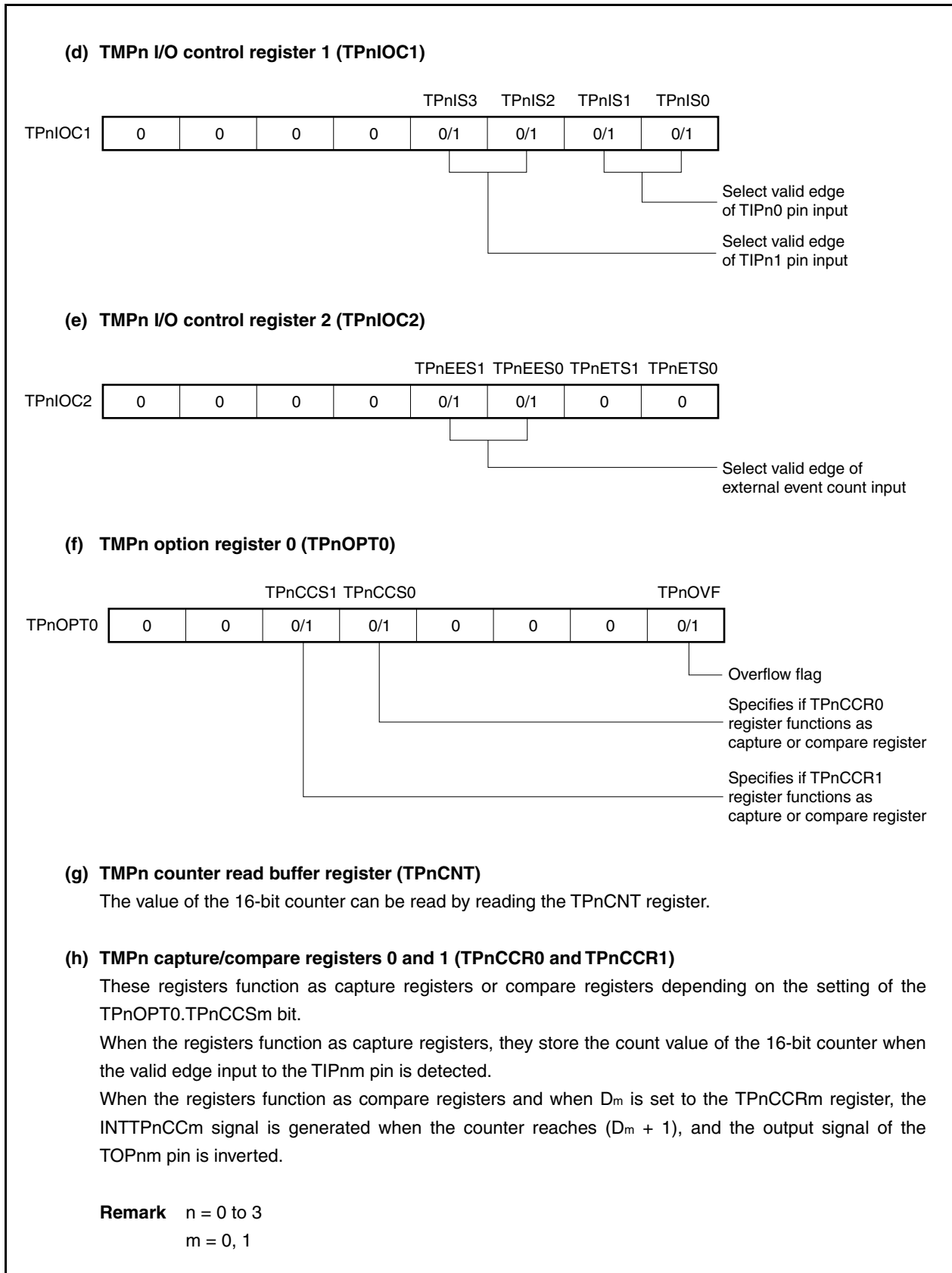


Figure 7-31. Register Setting in Free-Running Timer Mode (2/2)



(1) Operation flow in free-running timer mode

(a) When using capture/compare register as compare register

Figure 7-32. Software Processing Flow in Free-Running Timer Mode (Compare Function) (1/2)

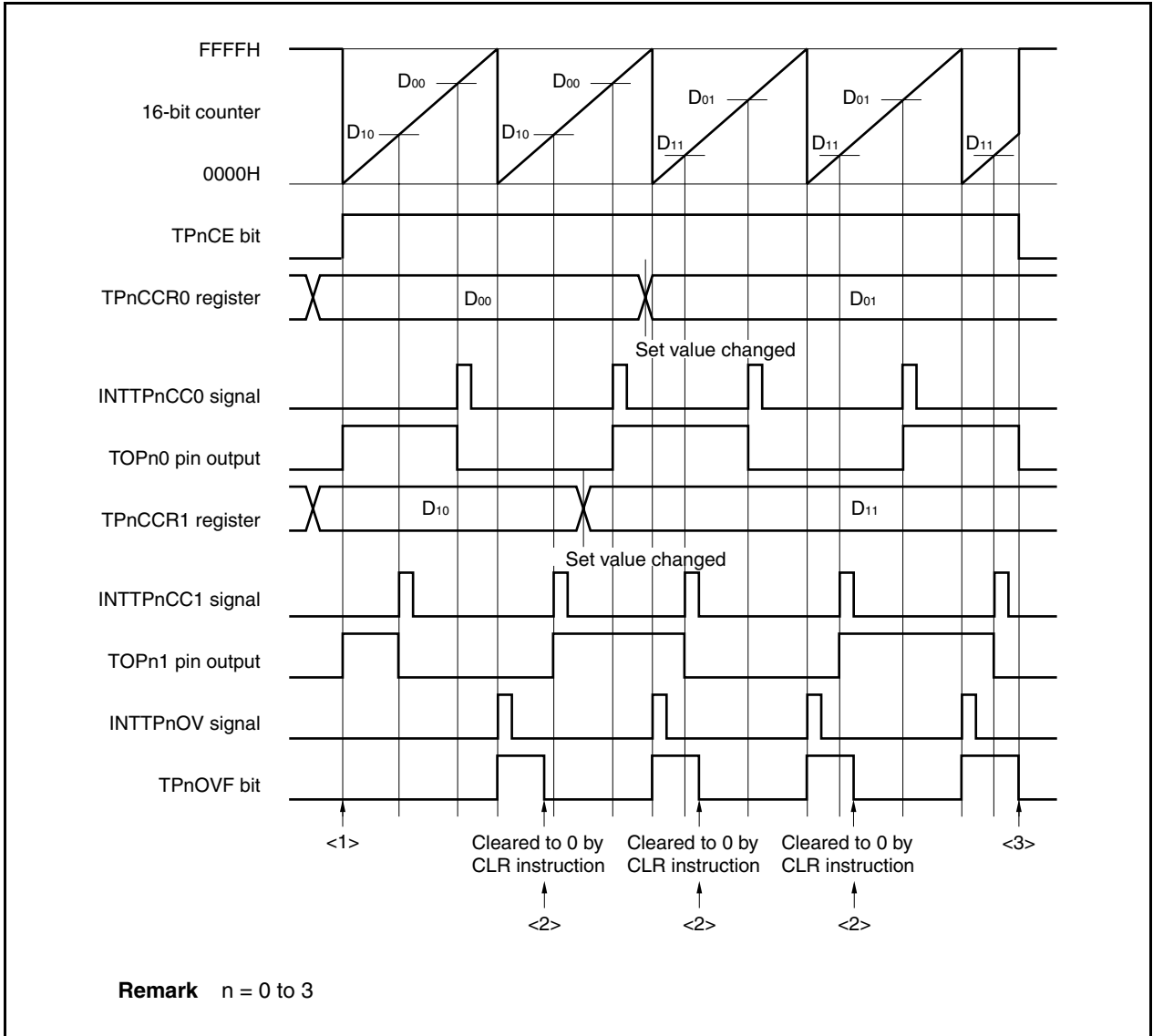
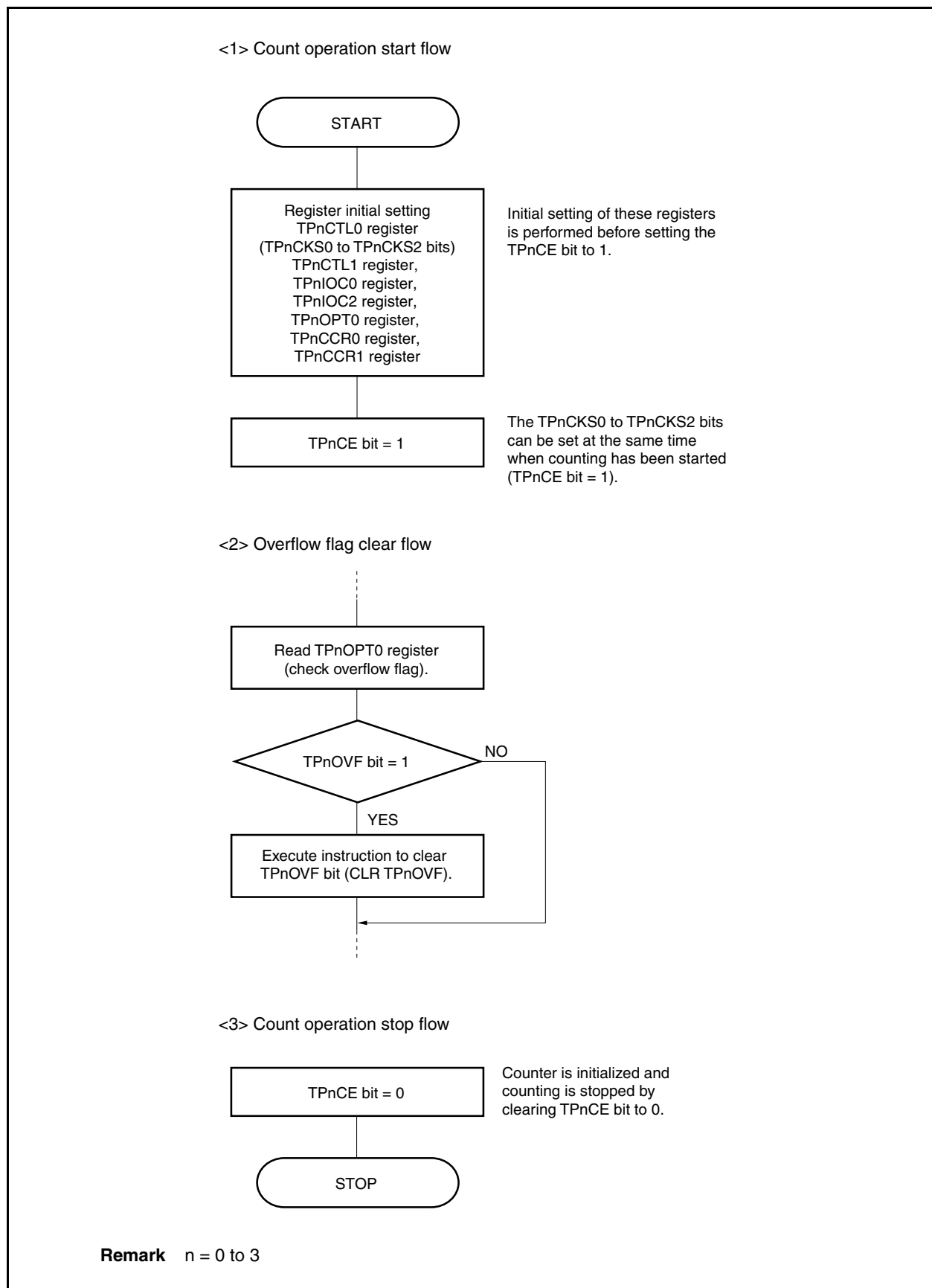


Figure 7-32. Software Processing Flow in Free-Running Timer Mode (Compare Function) (2/2)



(b) When using capture/compare register as capture register

Figure 7-33. Software Processing Flow in Free-Running Timer Mode (Capture Function) (1/2)

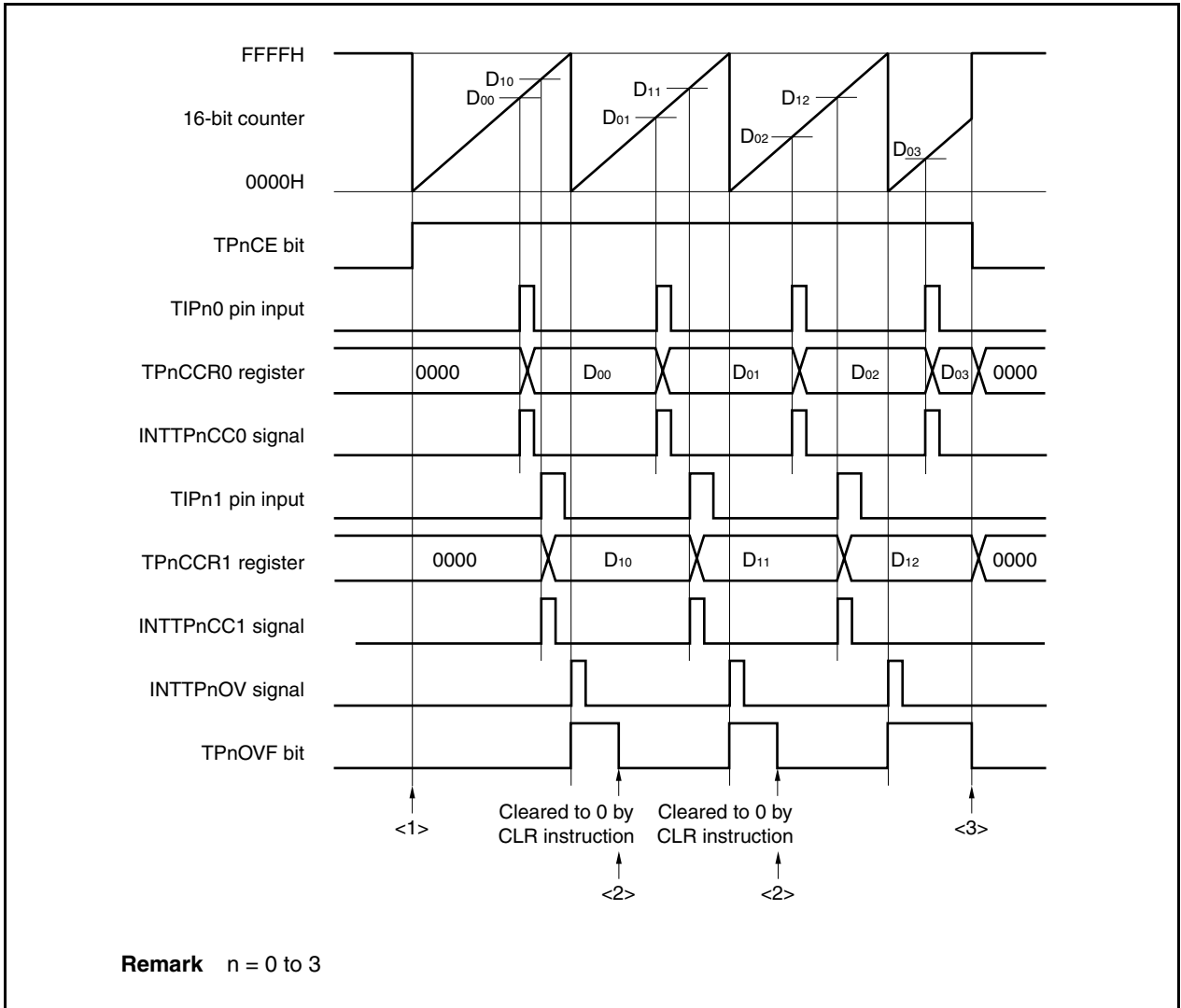
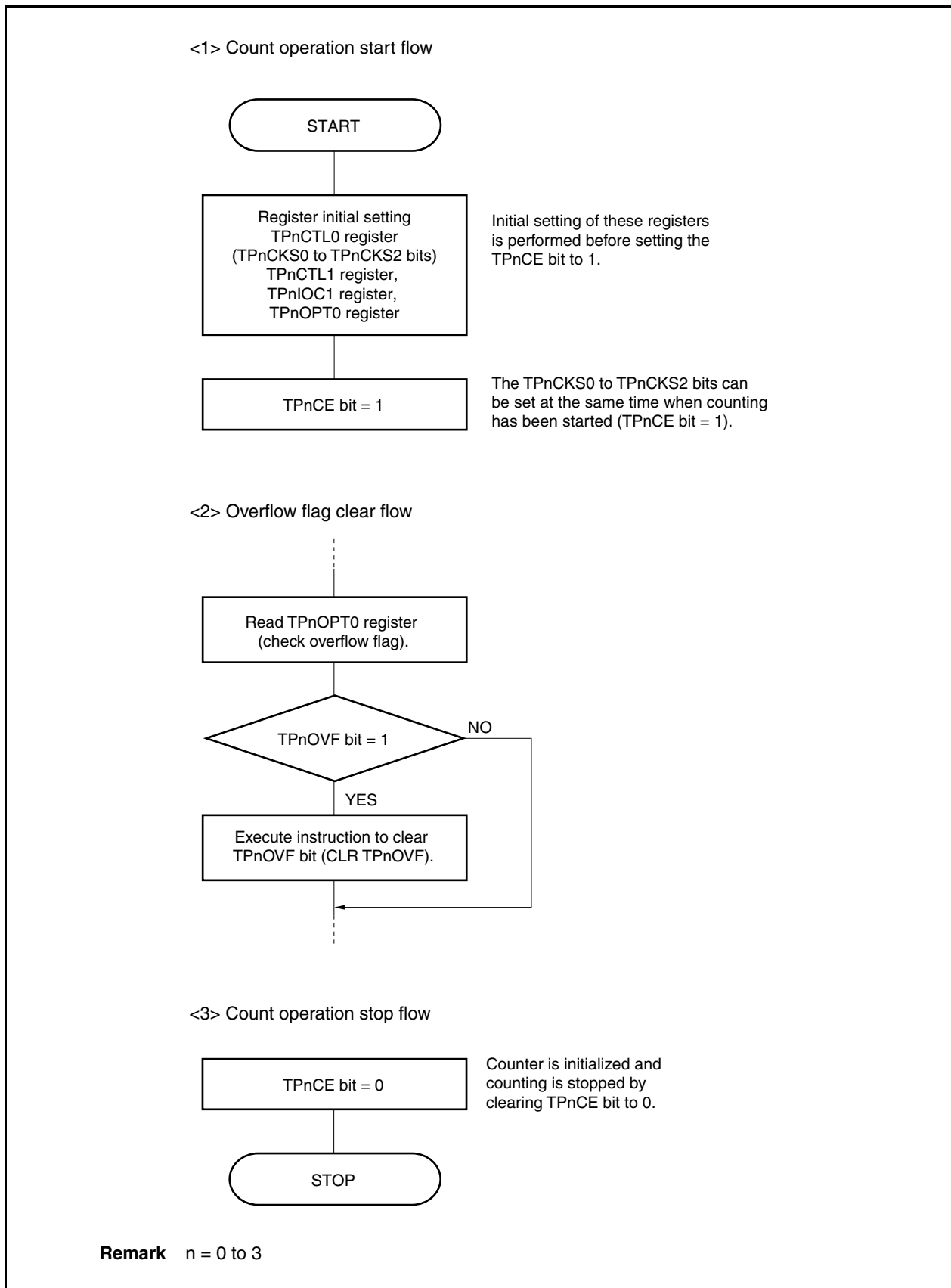


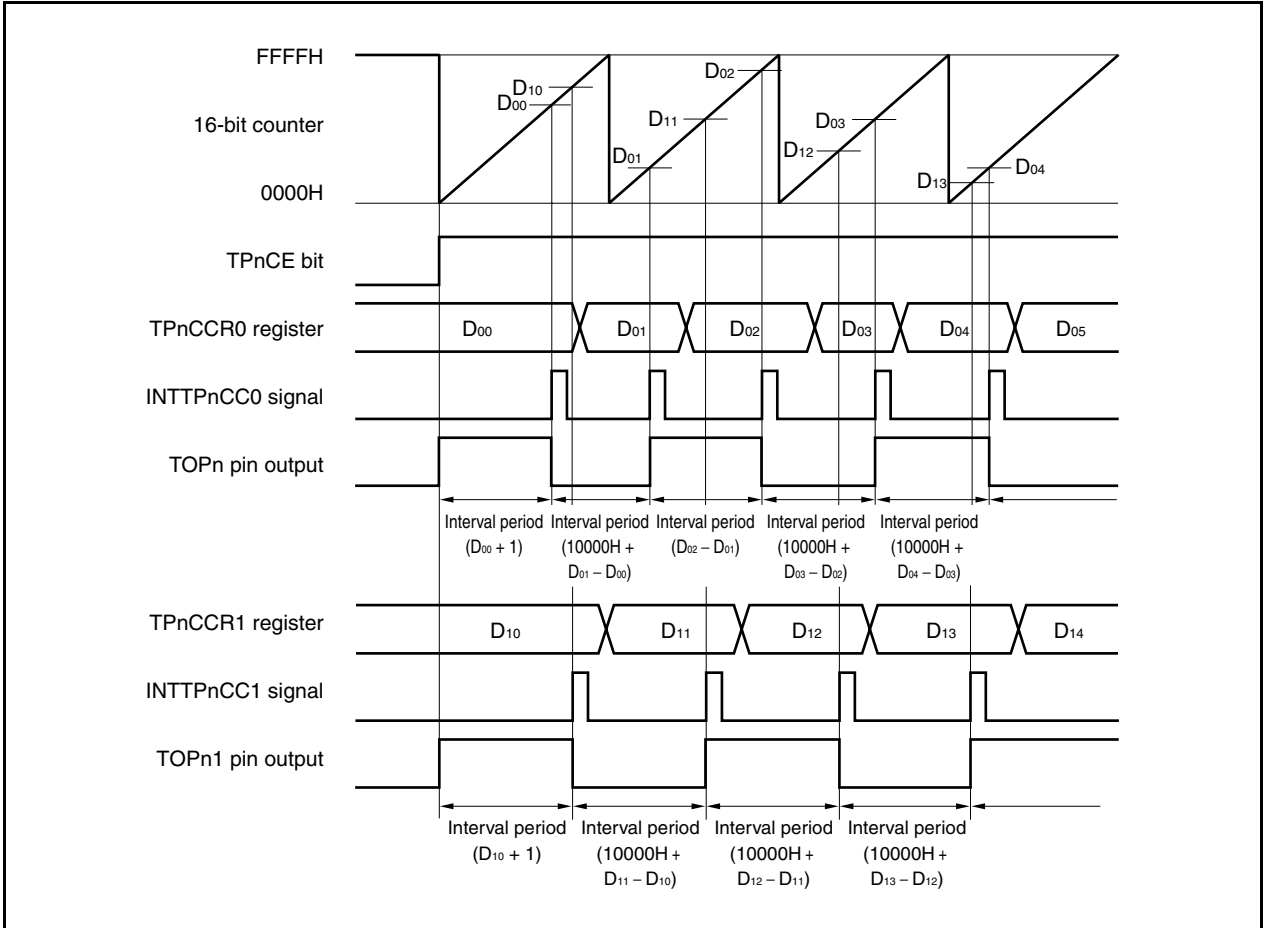
Figure 7-33. Software Processing Flow in Free-Running Timer Mode (Capture Function) (2/2)



(2) Operation timing in free-running timer mode

(a) Interval operation with compare register

When 16-bit timer/event counter P is used as an interval timer with the TPnCCRm register used as a compare register, software processing is necessary for setting a comparison value to generate the next interrupt request signal each time the INTTPnCCm signal has been detected.



When performing an interval operation in the free-running timer mode, two intervals can be set with one channel.

To perform the interval operation, the value of the corresponding TPnCCRm register must be re-set in the interrupt servicing that is executed when the INTTPnCCm signal is detected.

The set value for re-setting the TPnCCRm register can be calculated by the following expression, where “D_m” is the interval period.

Compare register default value: $D_m - 1$

Value set to compare register second and subsequent time: Previous set value + D_m

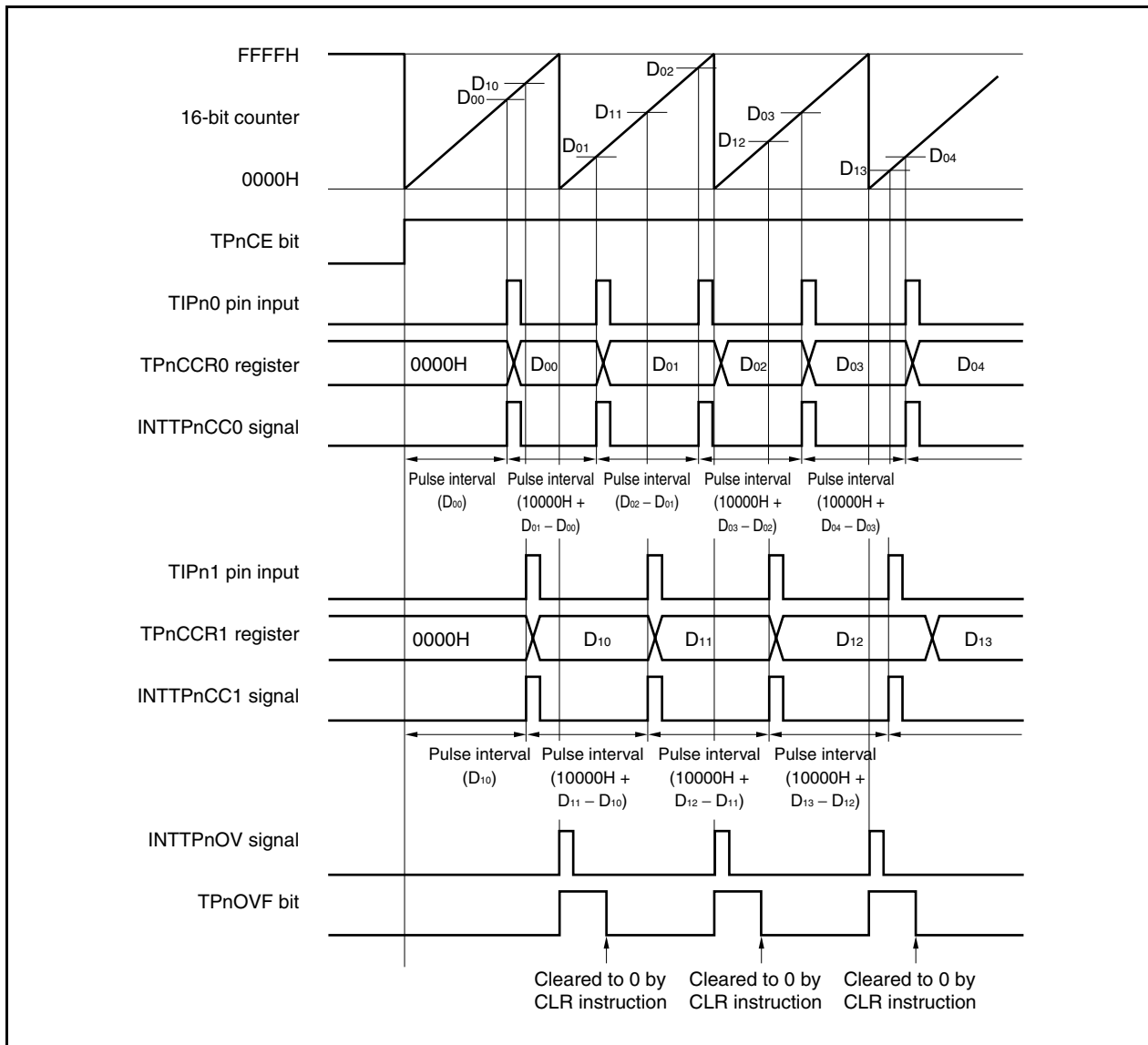
(If the calculation result is greater than FFFFH, subtract 10000H from the result and set this value to the register.)

Remark n = 0 to 3

m = 0, 1

(b) Pulse width measurement with capture register

When pulse width measurement is performed with the TPnCCRm register used as a capture register, software processing is necessary for reading the capture register each time the INTTPnCCm signal has been detected and for calculating an interval.



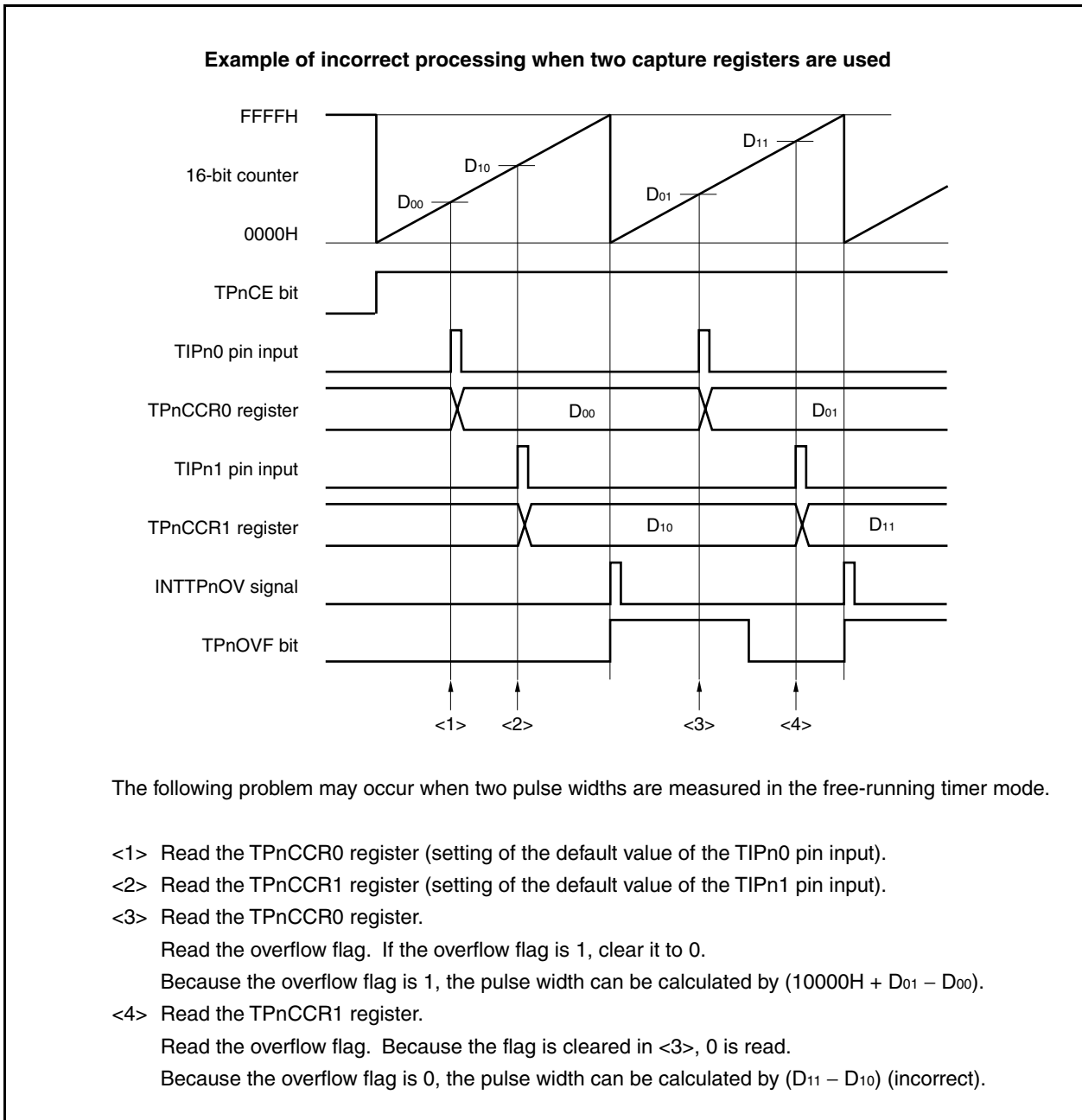
When executing pulse width measurement in the free-running timer mode, two pulse widths can be measured with one channel.

To measure a pulse width, the pulse width can be calculated by reading the value of the TPnCCRm register in synchronization with the INTTPnCCm signal, and calculating the difference between the read value and the previously read value.

Remark n = 0 to 3
m = 0, 1

(c) Processing of overflow when two capture registers are used

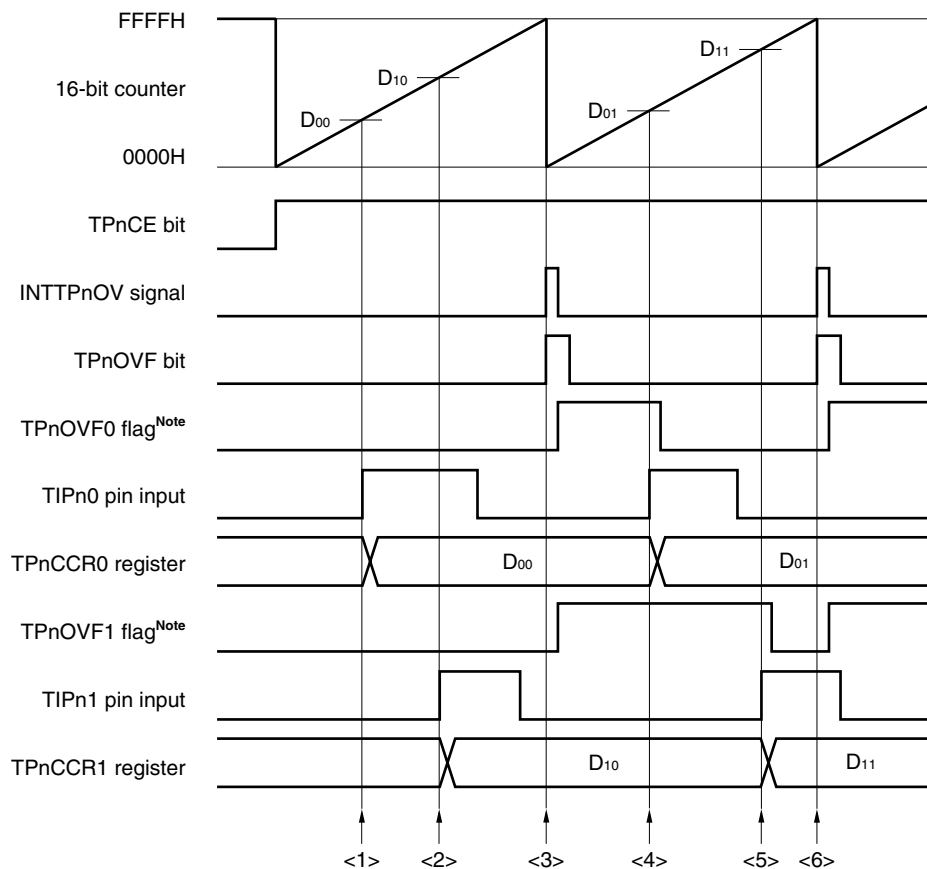
Care must be exercised in processing the overflow flag when two capture registers are used. First, an example of incorrect processing is shown below.



When two capture registers are used, and if the overflow flag is cleared to 0 by one capture register, the other capture register may not obtain the correct pulse width.

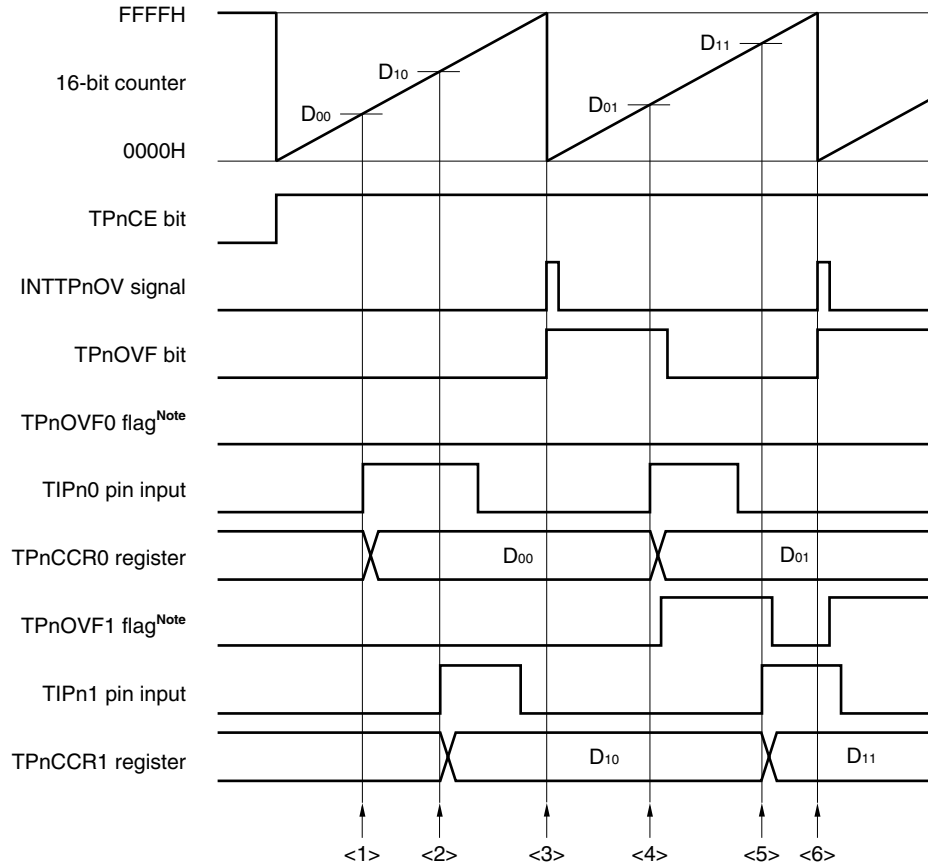
Use software when using two capture registers. An example of how to use software is shown below.

Example when two capture registers are used (using overflow interrupt)



Note The TPnOVF0 and TPnOVF1 flags are set on the internal RAM by software.

- <1> Read the TPnCCR0 register (setting of the default value of the TIPn0 pin input).
- <2> Read the TPnCCR1 register (setting of the default value of the TIPn1 pin input).
- <3> An overflow occurs. Set the TPnOVF0 and TPnOVF1 flags to 1 in the overflow interrupt servicing, and clear the overflow flag to 0.
- <4> Read the TPnCCR0 register.
Read the TPnOVF0 flag. If the TPnOVF0 flag is 1, clear it to 0.
Because the TPnOVF0 flag is 1, the pulse width can be calculated by $(10000H + D_{01} - D_{00})$.
- <5> Read the TPnCCR1 register.
Read the TPnOVF1 flag. If the TPnOVF1 flag is 1, clear it to 0 (the TPnOVF0 flag is cleared in <4>, and the TPnOVF1 flag remains 1).
Because the TPnOVF1 flag is 1, the pulse width can be calculated by $(10000H + D_{11} - D_{10})$ (correct).
- <6> Same as <3>

Example when two capture registers are used (without using overflow interrupt)

Note The TPnOVF0 and TPnOVF1 flags are set on the internal RAM by software.

<1> Read the TPnCCR0 register (setting of the default value of the TIPn0 pin input).

<2> Read the TPnCCR1 register (setting of the default value of the TIPn1 pin input).

<3> An overflow occurs. Nothing is done by software.

<4> Read the TPnCCR0 register.

Read the overflow flag. If the overflow flag is 1, set only the TPnOVF1 flag to 1, and clear the overflow flag to 0.

Because the overflow flag is 1, the pulse width can be calculated by $(10000H + D_{01} - D_{00})$.

<5> Read the TPnCCR1 register.

Read the overflow flag. Because the overflow flag is cleared in <4>, 0 is read.

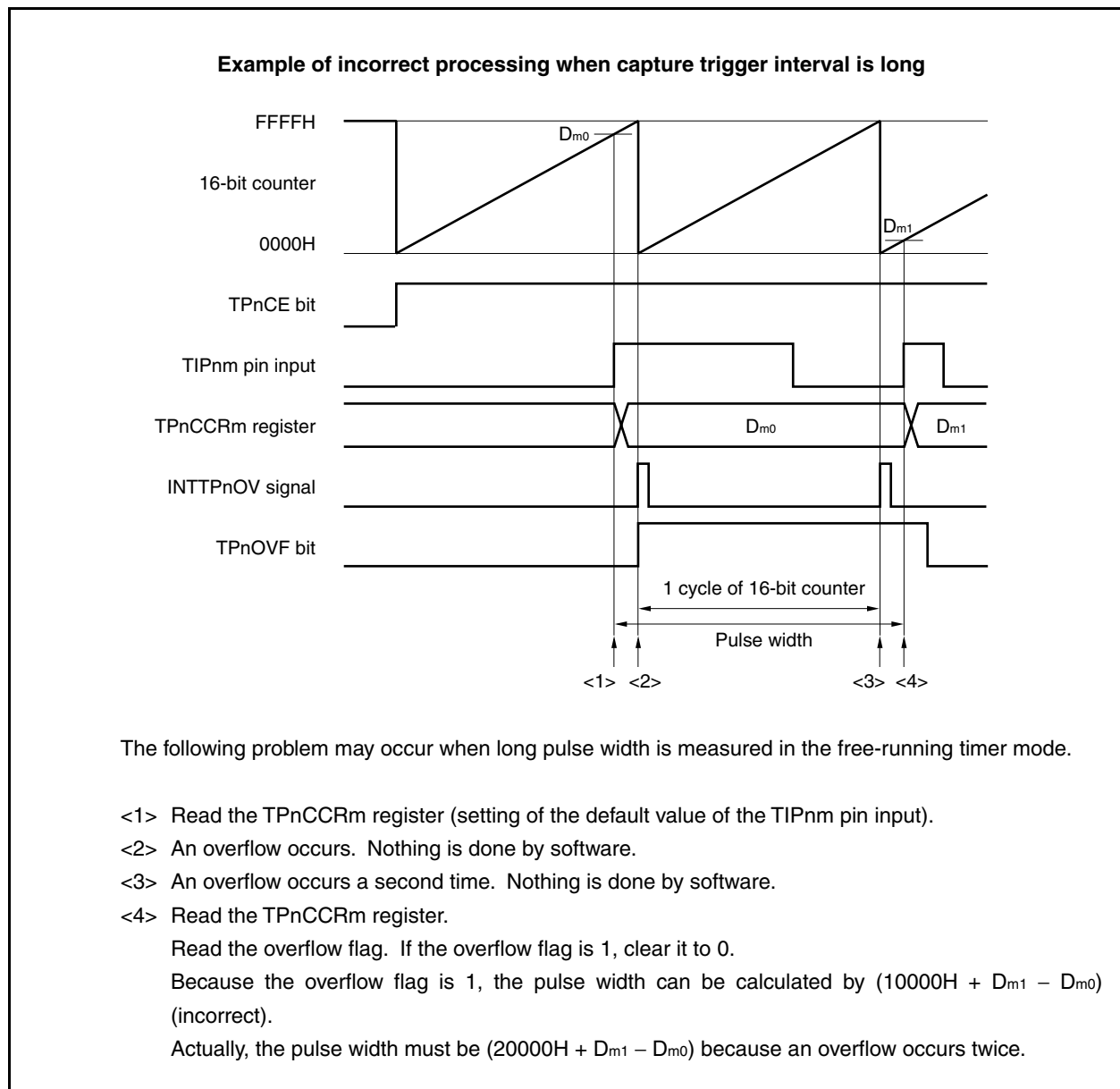
Read the TPnOVF1 flag. If the TPnOVF1 flag is 1, clear it to 0.

Because the TPnOVF1 flag is 1, the pulse width can be calculated by $(10000H + D_{11} - D_{10})$ (correct).

<6> Same as <3>

(d) Processing of overflow if capture trigger interval is long

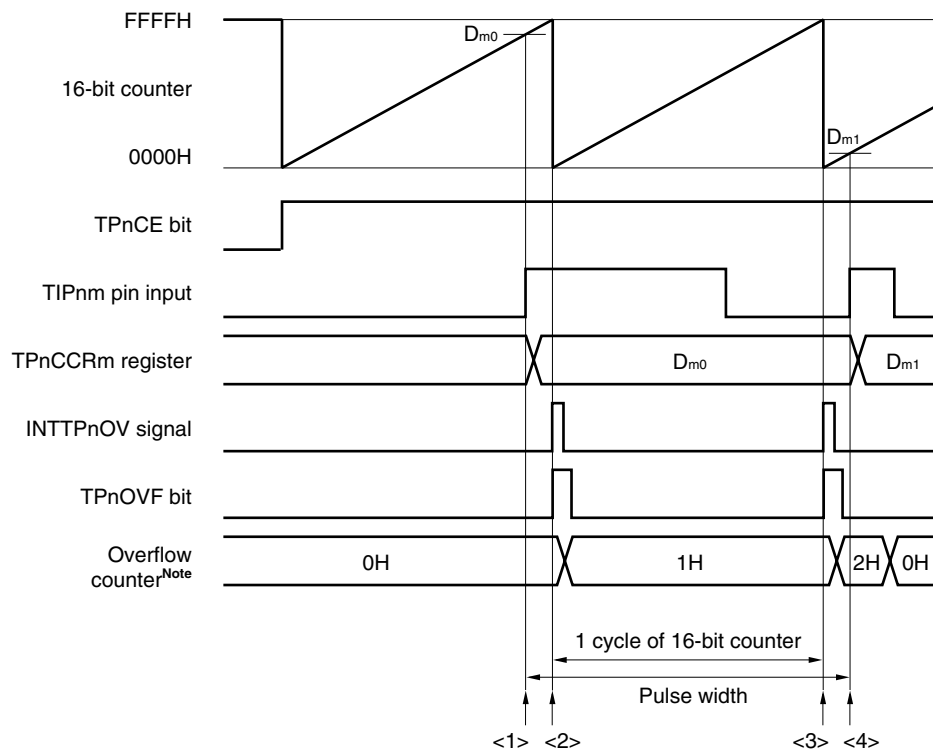
If the pulse width is greater than one cycle of the 16-bit counter, care must be exercised because an overflow may occur more than once from the first capture trigger to the next. First, an example of incorrect processing is shown below.



If an overflow occurs twice or more when the capture trigger interval is long, the correct pulse width may not be obtained.

If the capture trigger interval is long, slow the count clock to lengthen one cycle of the 16-bit counter, or use software. An example of how to use software is shown next.

Example when capture trigger interval is long

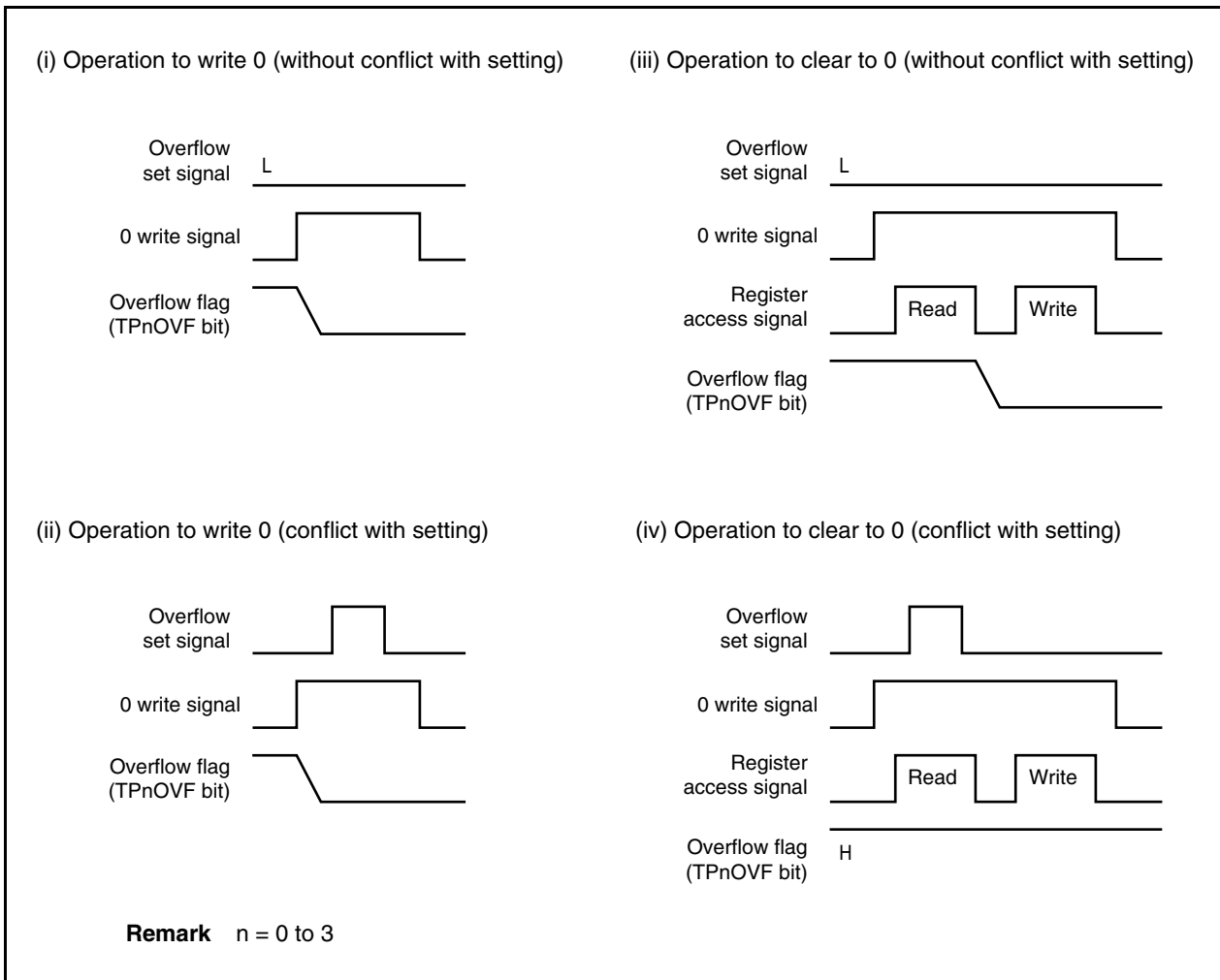


Note The overflow counter is set arbitrarily by software on the internal RAM.

- <1> Read the TPnCCRm register (setting of the default value of the TIPnm pin input).
- <2> An overflow occurs. Increment the overflow counter and clear the overflow flag to 0 in the overflow interrupt servicing.
- <3> An overflow occurs a second time. Increment (+1) the overflow counter and clear the overflow flag to 0 in the overflow interrupt servicing.
- <4> Read the TPnCCRm register.
Read the overflow counter.
→ When the overflow counter is “N”, the pulse width can be calculated by $(N \times 10000H + D_{m1} - D_{m0})$.
In this example, the pulse width is $(20000H + D_{m1} - D_{m0})$ because an overflow occurs twice.
Clear the overflow counter (0H).

(e) Clearing overflow flag

The overflow flag can be cleared to 0 by clearing the TPnOVF bit to 0 with the CLR instruction and by writing 8-bit data (bit 0 is 0) to the TPnOPT0 register. To accurately detect an overflow, read the TPnOVF bit when it is 1, and then clear the overflow flag by using a bit manipulation instruction.



To clear the overflow flag to 0, read the overflow flag to check if it is set to 1, and clear it with the CLR instruction. If 0 is written to the overflow flag without checking if the flag is 1, the set information of overflow may be erased by writing 0 ((ii) in the above chart). Therefore, software may judge that no overflow has occurred even when an overflow actually has occurred.

If execution of the CLR instruction conflicts with occurrence of an overflow when the overflow flag is cleared to 0 with the CLR instruction, the overflow flag remains set even after execution of the clear instruction.

7.5.7 Pulse width measurement mode (TPnMD2 to TPnMD0 bits = 110)

In the pulse width measurement mode, 16-bit timer/event counter P starts counting when the TPnCTL0.TPnCE bit is set to 1. Each time the valid edge input to the TIPnm pin has been detected, the count value of the 16-bit counter is stored in the TPnCCRm register, and the 16-bit counter is cleared to 0000H.

The interval of the valid edge can be measured by reading the TPnCCRm register after a capture interrupt request signal (INTTPnCCm) occurs.

Select either the TIPn0 or TIPn1 pin as the capture trigger input pin. Specify “No edge detected” by using the TPnIOC1 register for the unused pins.

When an external clock is used as the count clock, measure the pulse width of the TIPn1 pin because the external clock is fixed to the TIPn0 pin. At this time, clear the TPnIOC1.TPnIS1 and TPnIOC1.TPnIS0 bits to 00 (capture trigger input (TIPn0 pin): No edge detected).

Figure 7-34. Configuration in Pulse Width Measurement Mode

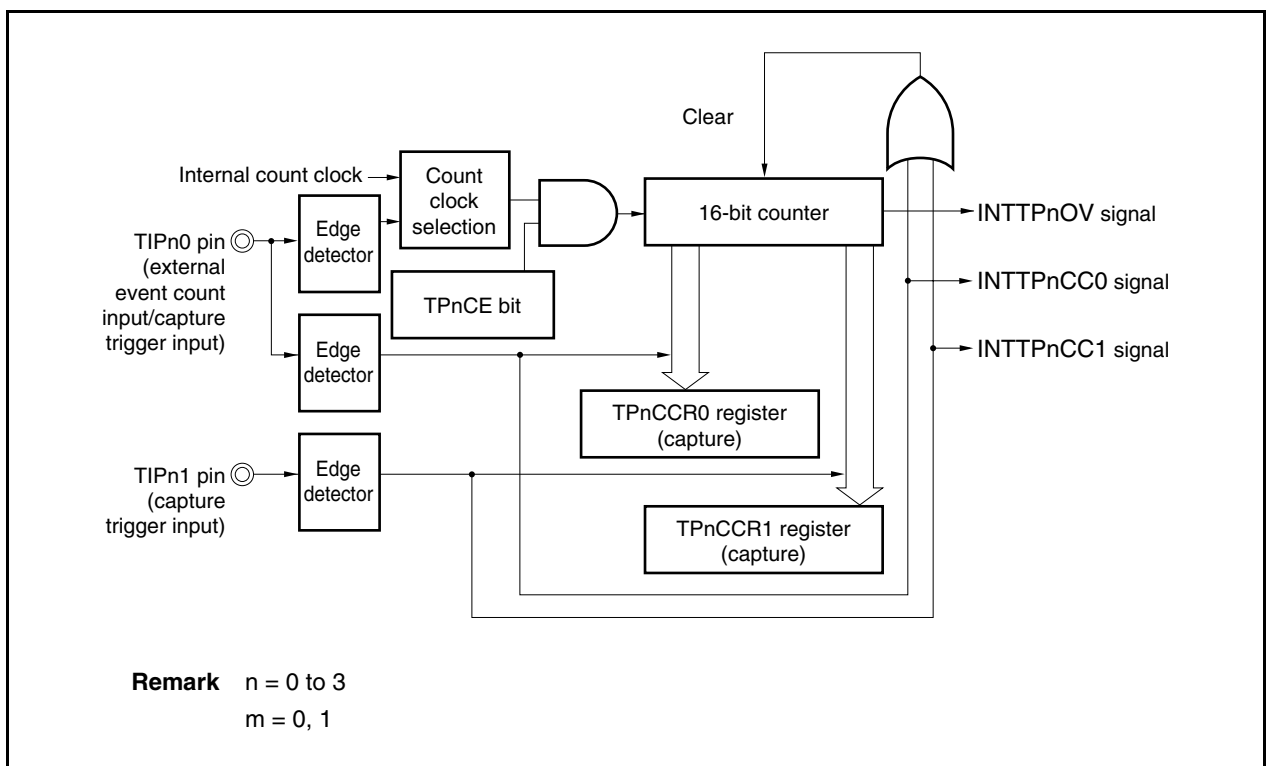
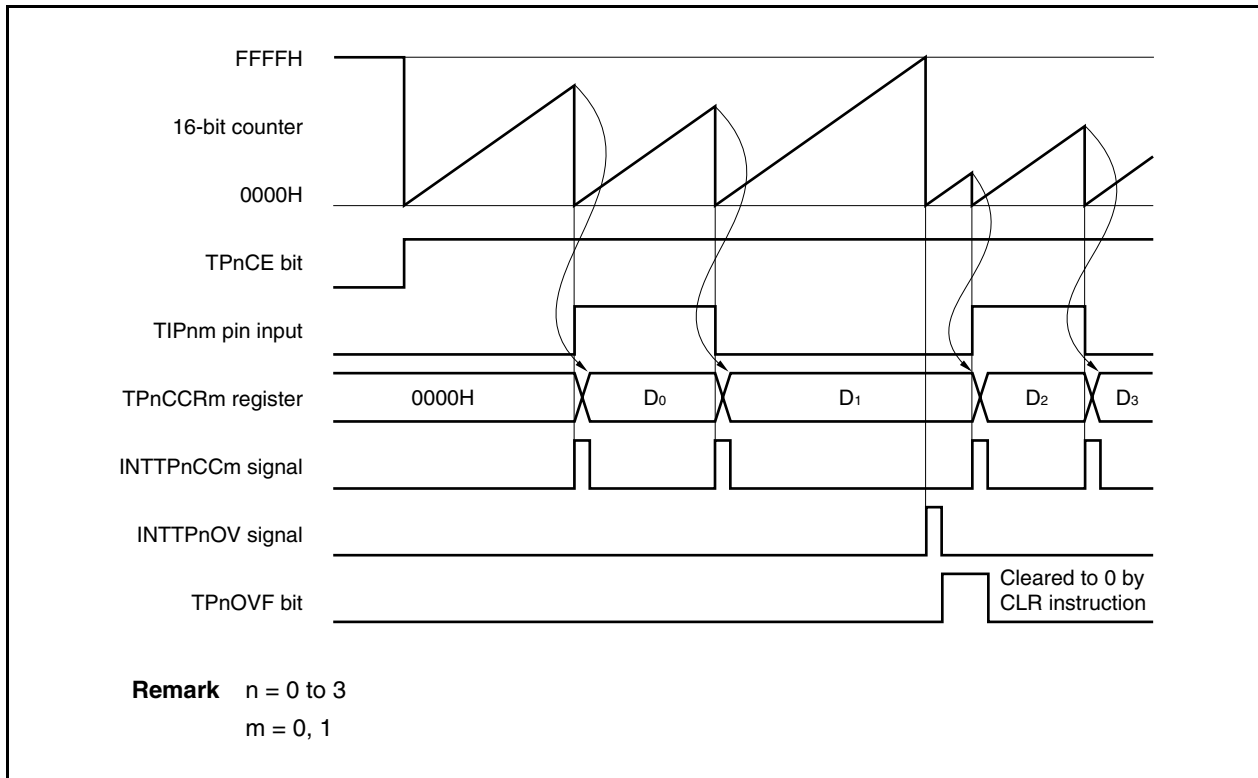


Figure 7-35. Basic Timing in Pulse Width Measurement Mode



When the TPnCE bit is set to 1, the 16-bit counter starts counting. When the valid edge input to the TIPnm pin is later detected, the count value of the 16-bit counter is stored in the TPnCCRm register, the 16-bit counter is cleared to 0000H, and a capture interrupt request signal (INTTPnCCm) is generated.

The pulse width is calculated as follows.

$$\text{Pulse width} = \text{Captured value} \times \text{Count clock cycle}$$

If the valid edge is not input to the TIPnm pin even when the 16-bit counter counted up to FFFFH, an overflow interrupt request signal (INTTPnOV) is generated at the next count clock, and the counter is cleared to 0000H and continues counting. At this time, the overflow flag (TPnOPT0.TPnOVF bit) is also set to 1. Clear the overflow flag to 0 by executing the CLR instruction via software.

If the overflow flag is set to 1, the pulse width can be calculated as follows.

$$\text{Pulse width} = (10000\text{H} \times \text{TPnOVF bit set (1) count} + \text{Captured value}) \times \text{Count clock cycle}$$

Remark n = 0 to 3
m = 0, 1

Figure 7-36. Register Setting in Pulse Width Measurement Mode (1/2)

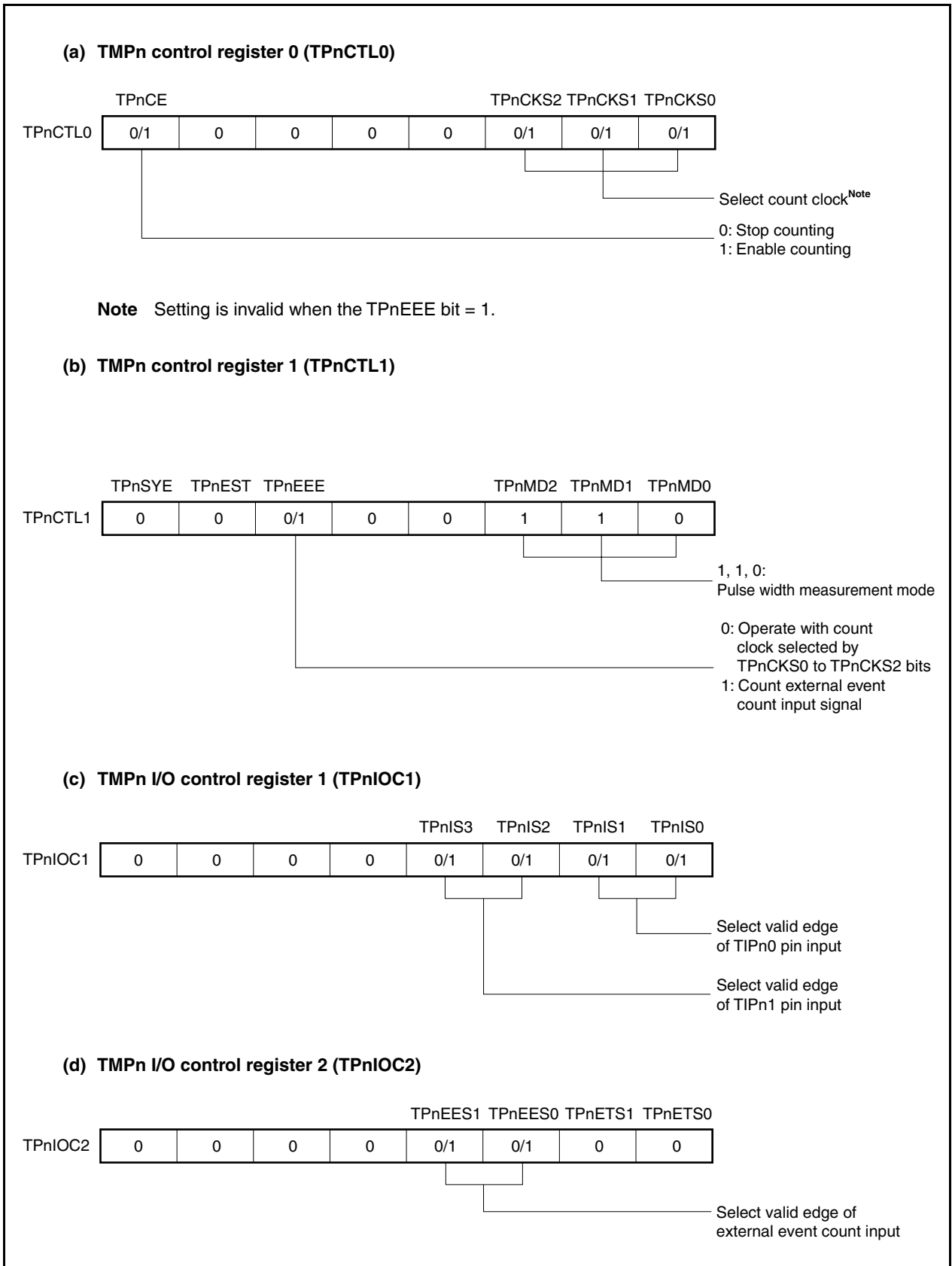
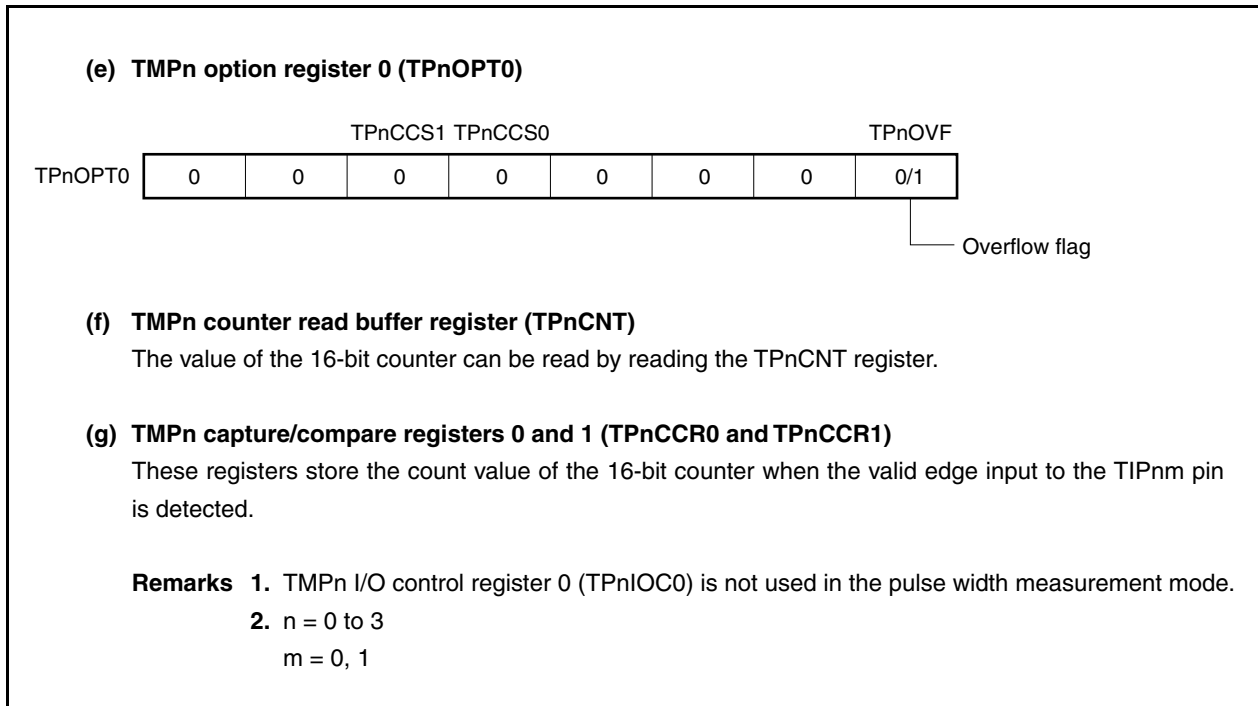
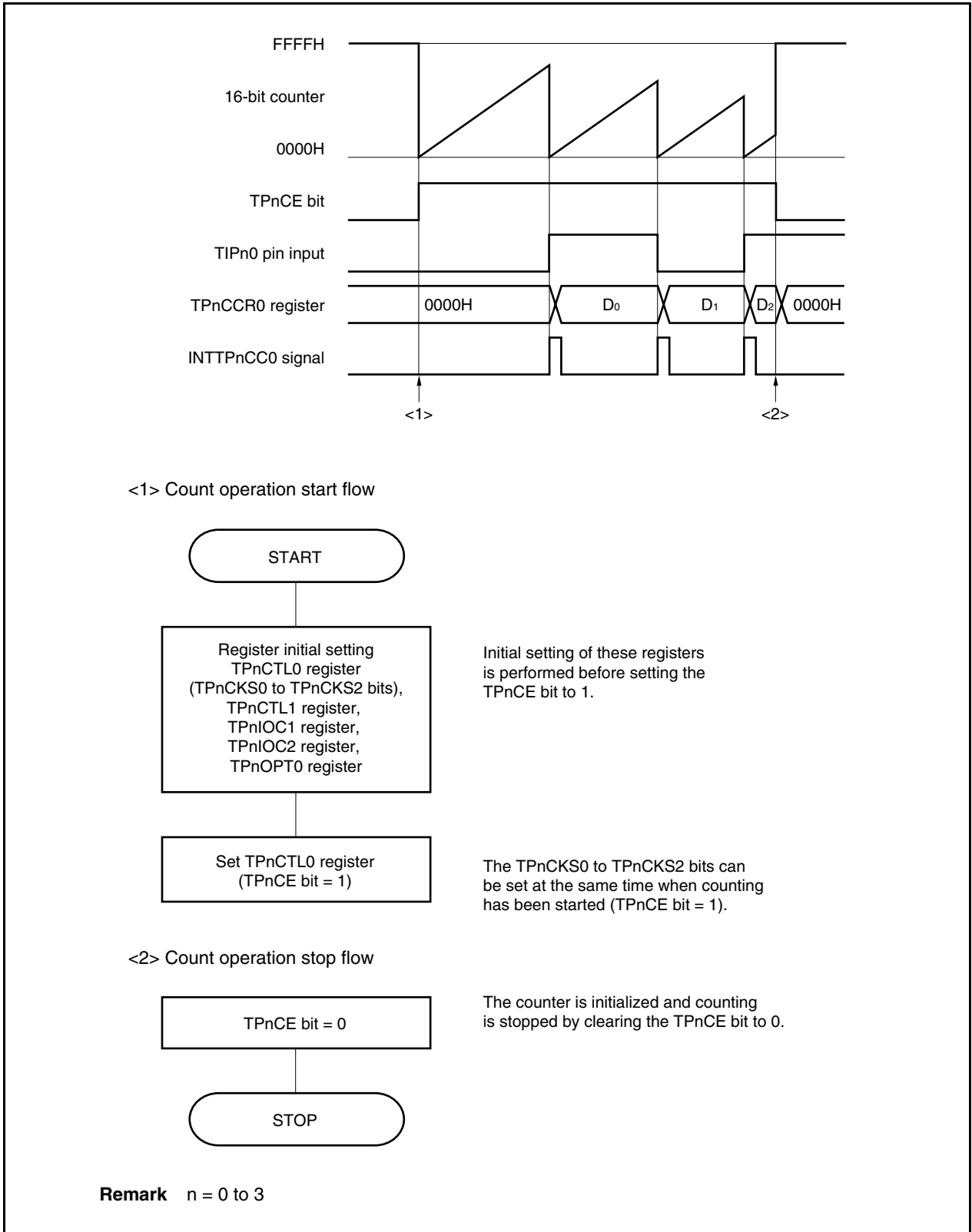


Figure 7-36. Register Setting in Pulse Width Measurement Mode (2/2)



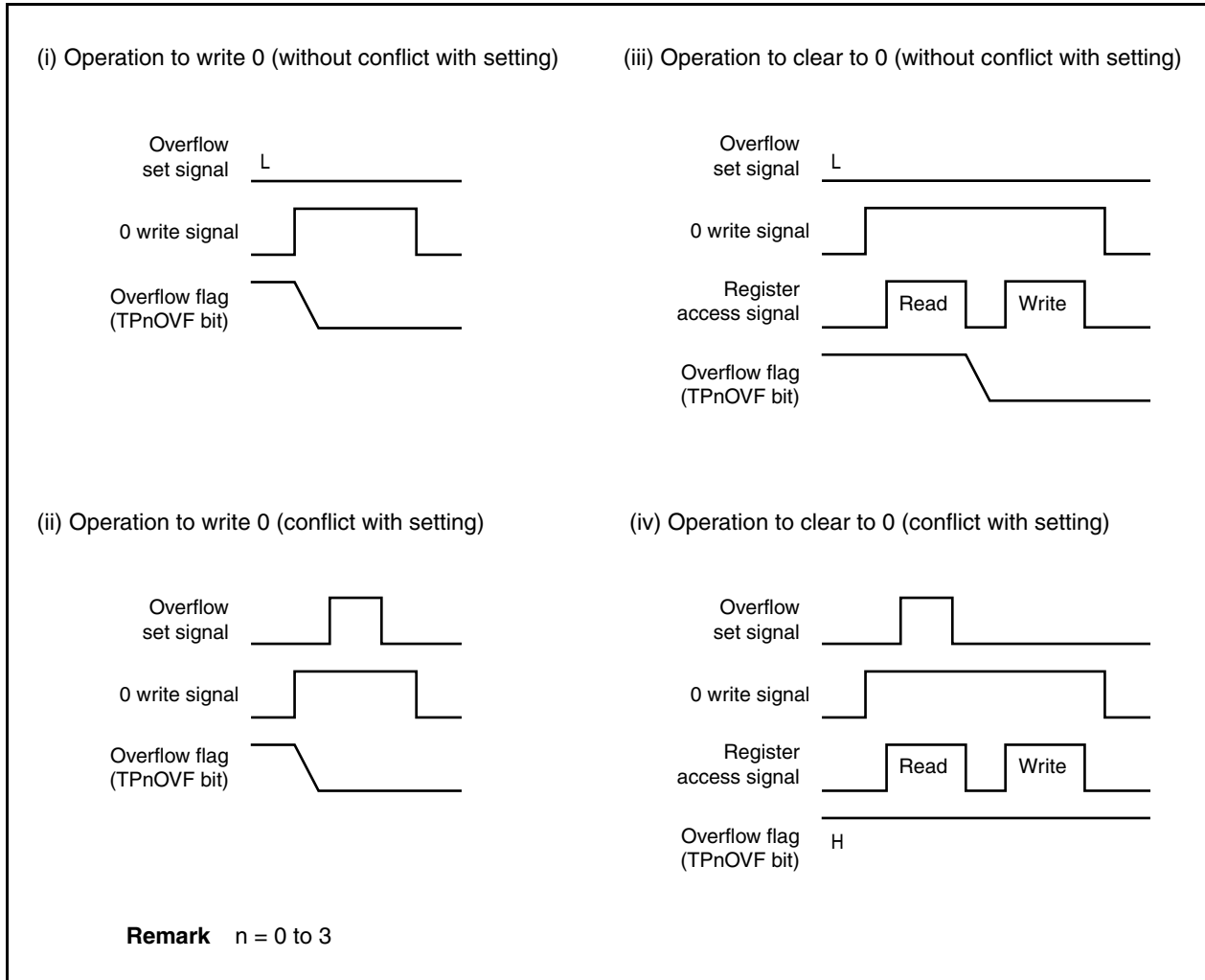
(1) Operation flow in pulse width measurement mode

Figure 7-37. Software Processing Flow in Pulse Width Measurement Mode



(2) Operation timing in pulse width measurement mode**(a) Clearing overflow flag**

The overflow flag can be cleared to 0 by clearing the TPnOVF bit to 0 with the CLR instruction and by writing 8-bit data (bit 0 is 0) to the TPnOPT0 register. To accurately detect an overflow, read the TPnOVF bit when it is 1, and then clear the overflow flag by using a bit manipulation instruction.



To clear the overflow flag to 0, read the overflow flag to check if it is set to 1, and clear it with the CLR instruction. If 0 is written to the overflow flag without checking if the flag is 1, the set information of overflow may be erased by writing 0 ((ii) in the above chart). Therefore, software may judge that no overflow has occurred even when an overflow actually has occurred.

If execution of the CLR instruction conflicts with occurrence of an overflow when the overflow flag is cleared to 0 with the CLR instruction, the overflow flag remains set even after execution of the clear instruction.

7.5.8 Timer output operations

The following table shows the operations and output levels of the TOPn0 and TOPn1 pins.

Table 7-4. Timer Output Control in Each Mode

Operation Mode	TOPn1 Pin	TOPn0 Pin
Interval timer mode	Square wave output	
External event count mode	Square wave output	–
External trigger pulse output mode	External trigger pulse output	Square wave output
One-shot pulse output mode	One-shot pulse output	
PWM output mode	PWM output	
Free-running timer mode	Square wave output (only when compare function is used)	
Pulse width measurement mode	–	

Remark n = 0 to 3

Table 7-5. Truth Table of TOPn0 and TOPn1 Pins Under Control of Timer Output Control Bits

TPnIOC0.TPnOLm Bit	TPnIOC0.TPnOEm Bit	TPnCTL0.TPnCE Bit	Level of TOPnm Pin
0	0	×	Low-level output
	1	0	Low-level output
		1	Low level immediately before counting, high level after counting is started
1	0	×	High-level output
	1	0	High-level output
		1	High level immediately before counting, low level after counting is started

Remark n = 0 to 3
m = 0, 1

7.6 Timer Tuned Operation Function

Timer P and timer Q have a timer tuned operation function.

The timers that can be synchronized are listed in Table 7-6.

Table 7-6. Tuned Operation Mode of Timers

Master Timer	Slave Timer	
	TMP0	TMP1
TMP2	TMP3	TMQ0
TMQ1	TMQ2	–

Cautions 1. The tuned operation mode is enabled or disabled by the TPmCTL1.TPmSYE and TQnCTL1.TQnSYE bits. For TMP2, either or both TMP3 and TMQ0 can be specified as slaves.

2. Set the tuned operation mode using the following procedure.

<1> Set the TPmCTL1.TPmSYE and TQnCTL1.TQnSYE bits of the slave timer to enable the tuned operation.

Set the TPmCTL1.TPmMD2 to TPmCTL1.TPmMD0 and TQnCTL1.TPnMD2 to TQnCTL1.TPnMD0 bits of the slave timer to the free-running mode.

<2> Set the timer mode by using the TPnCTL1.TPnMD2 to TPnCTL1.TPnMD0 and TQnCTL1.TPnMD2 to TQnCTL1.TPnMD0 bits.

At this time, do not set the TPnCTL1.TPnSYE and TQnCTL1.TQnSYE bits of the master timer.

<3> Set the compare register value of the master and slave timers.

<4> Set the TPmCTL0.TPmCE and TQnCTL0.TQnCE bits of the slave timer to enable operation on the internal operating clock.

<5> Set the TPnCTL0.TPnCE and TQnCTL0.TQnCE bits of the master timer to enable operation on the internal operating clock.

Remark m = 1, 3, n = 0, 2

Tables 7-7 and 7-8 show the timer modes that can be used in the tuned operation mode (√: Settable, ×: Not settable).

Table 7-7. Timer Modes Usable in Tuned Operation Mode

Master Timer	Free-Running Mode	PWM Mode	Triangular Wave PWM Mode
TMP0	√	√	×
TMP2	√	√	×
TMQ1	√	√	√

Table 7-8. Timer Output Functions

Tuned Channel	Timer	Pin	Free-Running Mode		PWM Mode		Triangular Wave PWM Mode	
			Tuning OFF	Tuning ON	Tuning OFF	Tuning ON	Tuning OFF	Tuning ON
Ch0	TMP0 (master)	TOP00	PPG	←	Toggle	←	N/A	←
		TOP01	PPG	←	PWM	←	N/A	←
	TMP1 (slave)	TOP10	PGP	←	Toggle	PWM	N/A	←
		TOP11	PPG	←	PWM	←	N/A	←
Ch1	TMP2 (master)	TOP20	PPG	←	Toggle	←	N/A	←
		TOP21	PPG	←	PWM	←	N/A	←
	TMP3 (slave)	TOP30	PPG	←	Toggle	PWM	N/A	←
		TOP31	PPG	←	PWM	←	N/A	←
	TMQ0 (slave)	TOQ00	PPG	←	Toggle	PWM	Toggle	N/A
		TOQ01 to TOQ03	PPG	←	PWM	←	Triangular wave PWM	N/A
Ch2	TMQ1 (master)	TOQ10	PPG	←	Toggle	←	Toggle	←
		TOQ11 to TOQ13	PPG	←	PWM	←	Triangular wave PWM	←
	TMQ2 (slave)	TOQ20	PPG	←	Toggle	PWM	Toggle	Triangular wave PWM
		TOQ21 to TOQ23	PPG	←	PWM	←	Triangular wave PWM	←

Remark The timing of transmitting data from the compare register of the master timer to the compare register of the slave timer is as follows.

PPG: CPU write timing

Toggle, PWM, triangular wave PWM: Timing at which timer counter and compare register match TOPn0 and TOQm0 (n = 0 to 3, m = 0 to 2)

Figure 7-38. Tuned Operation Image (TMP2, TMP3, TMQ0)

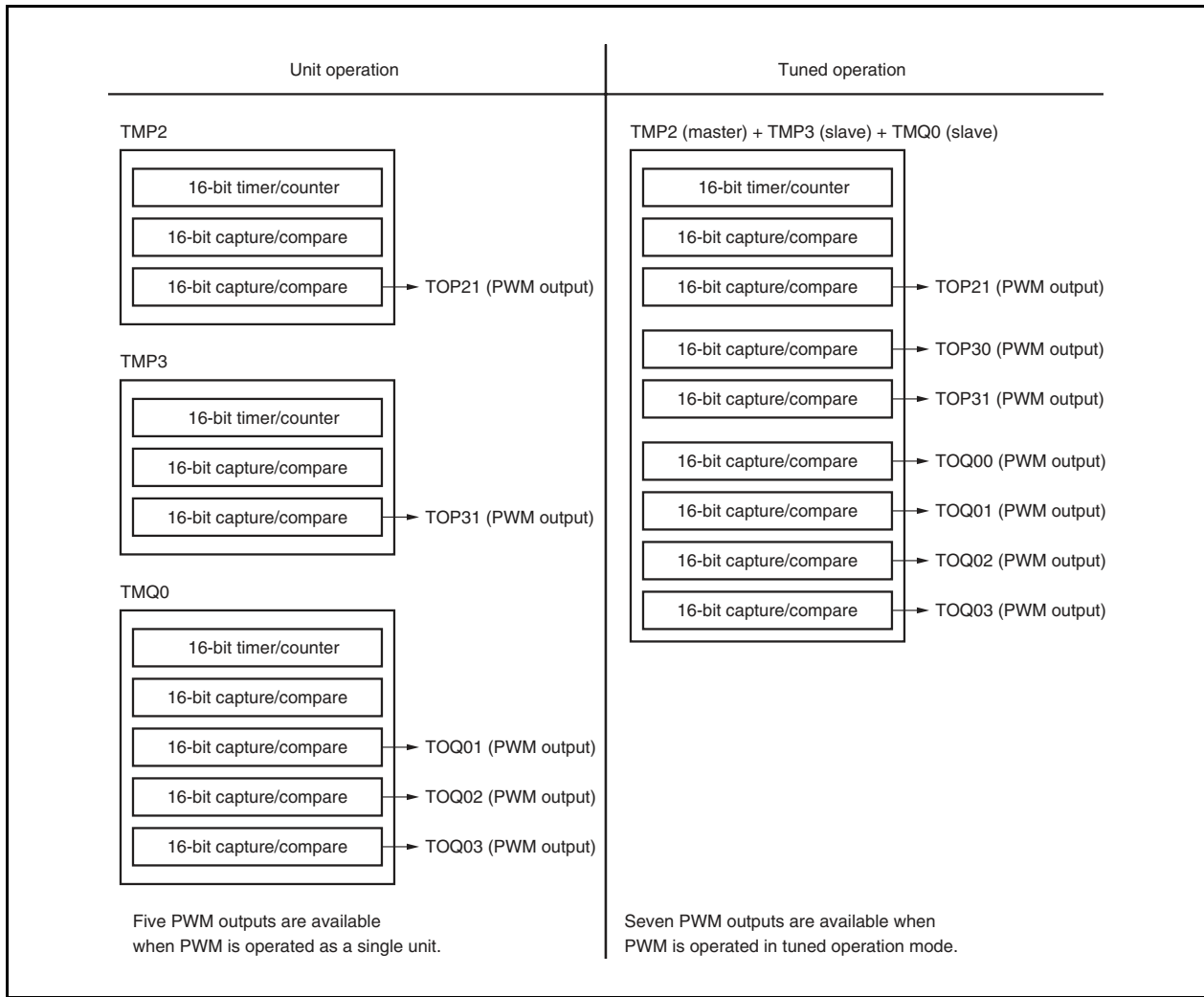
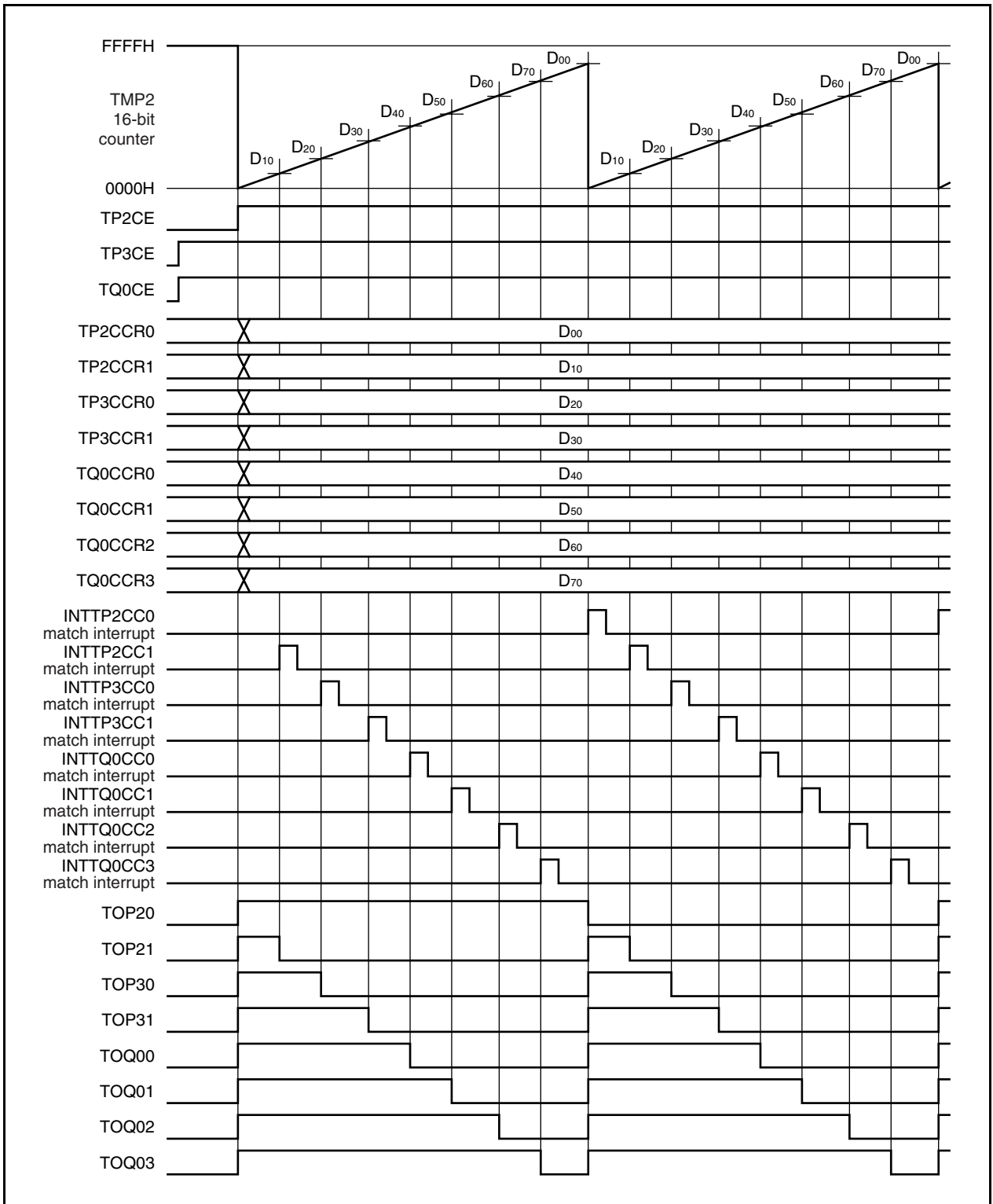


Figure 7-39. Basic Operation Timing of Tuned PWM Function (TMP2, TMP3, TMQ0)



7.7 Selector Function

In the V850ES/HJ2, the alternate-function pins of port and peripheral I/O (TMP, TMM0, or UARTA) can be used to select the capture trigger input of TMP.

By using this function, the following is possible.

- The TIP10 and TIP11 input signals of TMP1 can be selected from the port/timer alternate-function pins (TIP10 and TIP11 pins) and the UARTA reception alternate-function pins (RXDA0 and RXDA1). The TIP31 input signal of TMP3 can be selected from a port/timer alternate-function pin (TIP31 pin) and the UARTA reception alternate-function pin (RXDA3).
→ When the RXDA0, RXDA1, or RXDA3 signal of UARTA0, UARTA1, or UARTA3 is selected, the baud rate error of the UARTA LIN reception transfer can be calculated.
- The TIP01 input signal of TMP0 can be selected from the port/timer alternate-function pin (TIP01 pin) and the INTTMM0EQ0 signal of TMM0.

Cautions 1. When using the selector function, set the capture trigger input of TMP before connecting the timer.

2. When setting the selector function, first disable the peripheral I/O to be connected (TMP, TMM0, or UARTA).

The capture input for the selector function is specified by the following register.

(1) Selector operation control register 0 (SELCNT0)

The SELCNT0 register is an 8-bit register that selects the capture trigger for TMP0, TMP1, and TMP3.

This register can be read or written in 8-bit or 1-bit units.

Reset sets this register to 00H.

After reset: 00H R/W Address: FFFF308H

	7	6	5	4	3	2	1	0
SELCNT0	0	ISEL06	ISEL05	ISEL04	ISEL03	ISEL02	0	0

ISEL06^{Note 1}	Selection of TIP31 input signal (TMP3)
0	TIP31 pin input
1	RXDA3 pin input

ISEL05	Selection of TIP30 input signal (TMP3)
0	TIP30 pin input
1	RXDA2 pin input

ISEL04	Selection of TIP11 input signal (TMP1)
0	TIP11 pin input
1	RXDA1 pin input

ISEL03	Selection of TIP10 input signal (TMP1)
0	TIP10 pin input
1	RXDA0 pin input

ISEL02^{Note 2}	Selection of TIP01 input signal (TMP0)
0	TIP01 pin input
1	INTTM0EQ0 interrupt of TMM0

Notes 1. The μ PD70F3709 and 70F3710 do not have the RXDA3 pin. Fix the ISEL06 bit of these products to 0.

2. Use the INTTM0EQ0 interrupt signal as the TIP01 input signal under the following condition.

$$\text{TMM0 operation clock} \geq \text{TMP0 operation clock} \times 4$$

Cautions 1. To set the ISEL02 to ISEL06 bits to 1, set the corresponding pin in the capture input mode.

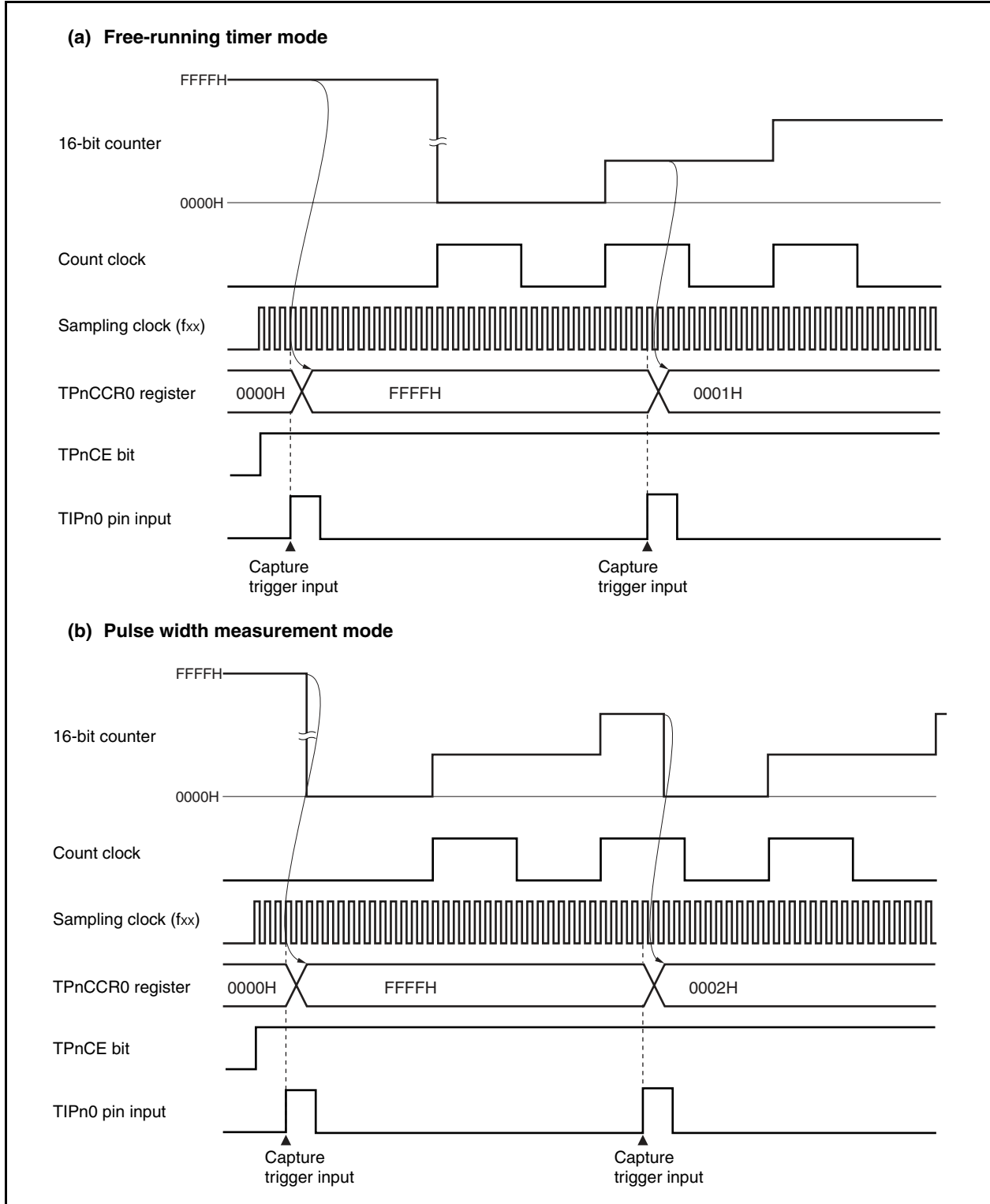
2. Set the ISEL02 to ISEL06 bits when operation of TMP0, TMP1, and TMP3, and TMM0, UARTA0 to UARTA3 is stopped.

<R>

7.8 Cautions

(1) Capture operation

When the capture operation is used and a slow clock is selected as the count clock, FFFFH, not 0000H, may be captured in the TPnCCR0 and TPnCCR1 registers if the capture trigger is input immediately after the TPnCE bit is set to 1.



CHAPTER 8 16-BIT TIMER/EVENT COUNTER Q (TMQ)

Timer Q (TMQ) is a 16-bit timer/event counter.
The V850ES/HJ2 incorporates TMQ0 to TMQ2.

8.1 Overview

An outline of TMQ_n is shown below.

- Clock selection: 8 ways
- Capture/trigger input pins: 4
- External event count input pins: 1
- External trigger input pins: 1
- Timer/counters: 1
- Capture/compare registers: 4
- Capture/compare match interrupt request signals: 4
- Timer output pins: 4

Remark n = 0 to 2

8.2 Functions

TMQ_n has the following functions.

- Interval timer
- External event counter
- External trigger pulse output
- One-shot pulse output
- PWM output
- Free-running timer
- Pulse width measurement
- Triangular wave PWM output
- Timer tuned operation function

Remark n = 0 to 2

8.3 Configuration

TMQ0 to TMQ2 include the following hardware.

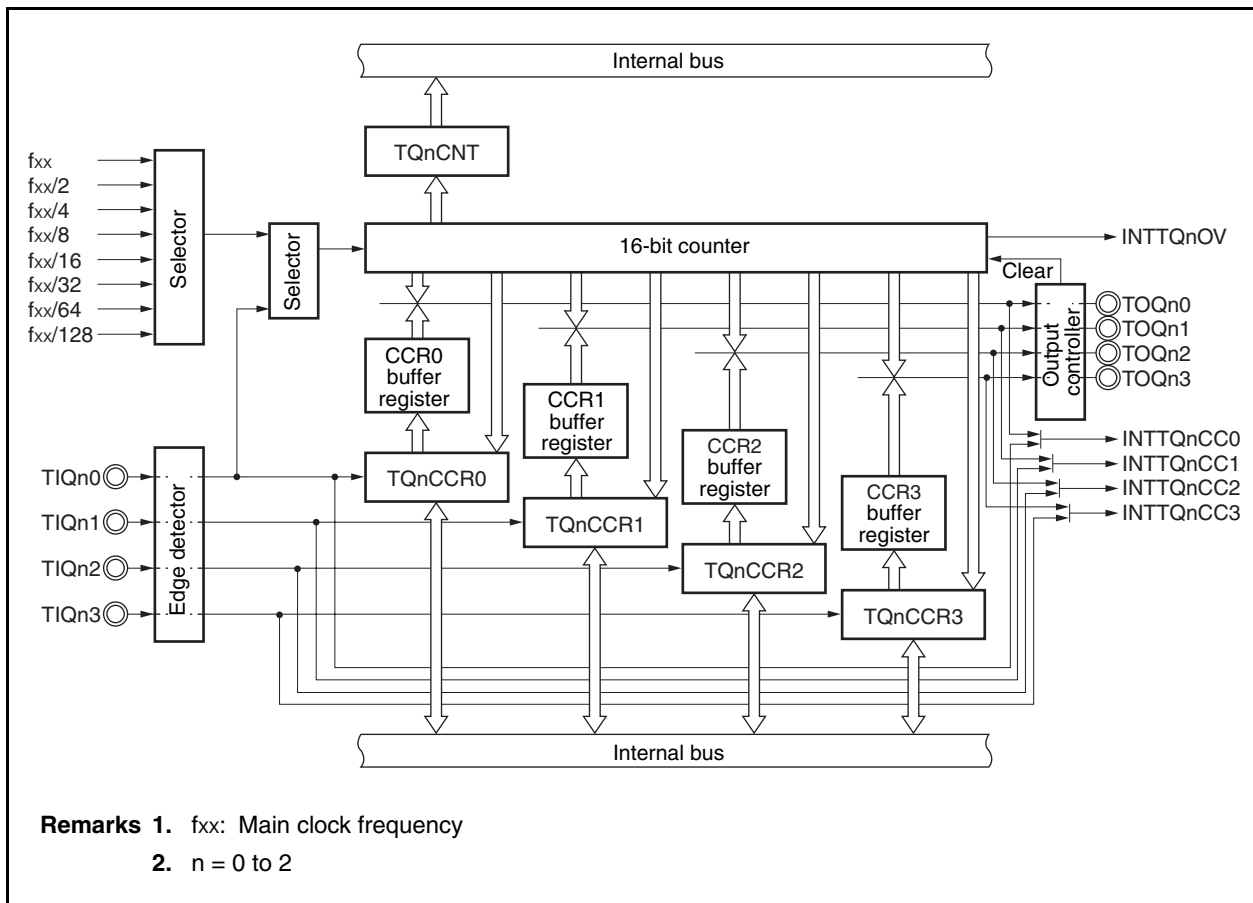
Table 8-1. Configuration of TMQ0 to TMQ2

Item	Configuration
Timer register	16-bit counter
Registers	TMQn capture/compare registers 0 to 3 (TQnCCR0 to TQnCCR3) TMQn counter read buffer register (TQnCNT) CCR0 to CCR3 buffer registers
Timer inputs	4 (TIQn0 ^{Note 1} to TIQn3 pins)
Timer outputs	4 (TOQn0 to TOQn3 pins)
Control registers ^{Note 2}	TMQn control registers 0, 1 (TQnCTL0, TQnCTL1) TMQn I/O control registers 0 to 2 (TQnIOC0 to TQnIOC2) TMQn option register 0 (TQnOPT0)

Notes 1. The TIQn0 pin functions alternately as a capture trigger input signal, external event count input signal, and external trigger input signal.

2. When using the functions of the TIQn0 to TIQn3 and TOQn0 to TOQn3 pins, see **Table 4-19 Using Port Pin as Alternate-Function Pin.**

Figure 8-1. Block Diagram of TMQ0 to TMQ2



(1) 16-bit counter

This 16-bit counter can count internal clocks or external events.

The count value of this counter can be read by using the TQnCNT register.

When the TQnCTL0.TQnCE bit = 0, the value of the 16-bit counter is FFFFH. If the TQnCNT register is read at this time, 0000H is read.

Reset sets the TQnCE bit to 0. Therefore, the 16-bit counter is set to FFFFH.

(2) CCR0 buffer register

This is a 16-bit compare register that compares the count value of the 16-bit counter.

When the TQnCCR0 register is used as a compare register, the value written to the TQnCCR0 register is transferred to the CCR0 buffer register. When the count value of the 16-bit counter matches the value of the CCR0 buffer register, a compare match interrupt request signal (INTTQnCC0) is generated.

The CCR0 buffer register cannot be read or written directly.

The CCR0 buffer register is cleared to 0000H after reset, as the TQnCCR0 register is cleared to 0000H.

(3) CCR1 buffer register

This is a 16-bit compare register that compares the count value of the 16-bit counter.

When the TQnCCR1 register is used as a compare register, the value written to the TQnCCR1 register is transferred to the CCR1 buffer register. When the count value of the 16-bit counter matches the value of the CCR1 buffer register, a compare match interrupt request signal (INTTQnCC1) is generated.

The CCR1 buffer register cannot be read or written directly.

The CCR1 buffer register is cleared to 0000H after reset, as the TQnCCR1 register is cleared to 0000H.

(4) CCR2 buffer register

This is a 16-bit compare register that compares the count value of the 16-bit counter.

When the TQnCCR2 register is used as a compare register, the value written to the TQnCCR2 register is transferred to the CCR2 buffer register. When the count value of the 16-bit counter matches the value of the CCR2 buffer register, a compare match interrupt request signal (INTTQnCC2) is generated.

The CCR2 buffer register cannot be read or written directly.

The CCR2 buffer register is cleared to 0000H after reset, as the TQnCCR2 register is cleared to 0000H.

(5) CCR3 buffer register

This is a 16-bit compare register that compares the count value of the 16-bit counter.

When the TQnCCR3 register is used as a compare register, the value written to the TQnCCR3 register is transferred to the CCR3 buffer register. When the count value of the 16-bit counter matches the value of the CCR3 buffer register, a compare match interrupt request signal (INTTQnCC3) is generated.

The CCR3 buffer register cannot be read or written directly.

The CCR3 buffer register is cleared to 0000H after reset, as the TQnCCR3 register is cleared to 0000H.

(6) Edge detector

This circuit detects the valid edges input to the TIQn0 and TIQn3 pins. No edge, rising edge, falling edge, or both the rising and falling edges can be selected as the valid edge by using the TQnIOC1 and TQnIOC2 registers.

(7) Output controller

This circuit controls the output of the TOQn0 to TOQn3 pins. The output controller is controlled by the TQnIOC0 register.

(8) Selector

This selector selects the count clock for the 16-bit counter. Eight types of internal clocks or an external event can be selected as the count clock.

8.4 Registers

The registers that control TMQn are as follows.

- TMQn control register 0 (TQnCTL0)
- TMQn control register 1 (TQnCTL1)
- TMQn I/O control register 0 (TQnIOC0)
- TMQn I/O control register 1 (TQnIOC1)
- TMQn I/O control register 2 (TQnIOC2)
- TMQn option register 0 (TQnOPT0)
- TMQn capture/compare register 0 (TQnCCR0)
- TMQn capture/compare register 1 (TQnCCR1)
- TMQn capture/compare register 2 (TQnCCR2)
- TMQn capture/compare register 3 (TQnCCR3)
- TMQn counter read buffer register (TQnCNT)

Remark When using the functions of the TIQn0 to TIQn3 and TOQn0 to TOQn3 pins, see **Table 4-19 Using Port Pin as Alternate-Function Pin**.

(1) TMQn control register 0 (TQnCTL0)

The TQnCTL0 register is an 8-bit register that controls the operation of TMQn.

This register can be read or written in 8-bit or 1-bit units.

Reset sets this register to 00H.

The same value can always be written to the TQnCTL0 register by software.

After reset: 00H R/W Address: TQ0CTL0 FFFFF540H, TQ1CTL0 FFFFF610H,
TQ2CTL0 FFFFF620H

	7	6	5	4	3	2	1	0
TQnCTL0 (n = 0 to 2)	TQnCE	0	0	0	0	TQnCKS2	TQnCKS1	TQnCKS0

TQnCE	TMQn operation control
0	TMQn operation disabled (TMQn reset asynchronously ^{Note}).
1	TMQn operation enabled. TMQn operation started.

TQnCKS2	TQnCKS1	TQnCKS0	Internal count clock selection
0	0	0	f _{xx}
0	0	1	f _{xx} /2
0	1	0	f _{xx} /4
0	1	1	f _{xx} /8
1	0	0	f _{xx} /16
1	0	1	f _{xx} /32
1	1	0	f _{xx} /64
1	1	1	f _{xx} /128

Note TQnOPT0.TQnOVF bit, 16-bit counter, timer output (TOQn0 to TOQn3 pins)

- Cautions**
1. Set the TQnCKS2 to TQnCKS0 bits when the TQnCE bit = 0. When the value of the TQnCE bit is changed from 0 to 1, the TQnCKS2 to TQnCKS0 bits can be set simultaneously.
 2. Be sure to clear bits 3 to 6 to “0”.

Remark f_{xx}: Main clock frequency

(2) TMQn control register 1 (TQnCTL1)

The TQnCTL1 register is an 8-bit register that controls the operation of TMQn.

This register can be read or written in 8-bit or 1-bit units.

Reset sets this register to 00H.

(1/2)

After reset: 00H R/W Address: TQ0CTL1 FFFFF541H, TQ1CTL1 FFFFF611H,
TQ2CTL1 FFFFF621H

	7	6	5	4	3	2	1	0
TQnCTL1 (n = 0 to 2)	TQnSYE	TQnEST	TQnEEE	0	0	TQnMD2	TQnMD1	TQnMD0

TQnSYE	Tuned operation mode enable control						
0	Independent operation mode (asynchronous operation mode)						
1	<p>Tuned operation mode (specification of slave operation) In this mode, timer P can operate in synchronization with a master timer.</p> <table border="1" style="width: 100%; border-collapse: collapse; margin: 5px 0;"> <tr> <td style="width: 50%; text-align: center;">Master timer</td> <td style="width: 50%; text-align: center;">Slave timer</td> </tr> <tr> <td style="text-align: center;">TMP2</td> <td style="text-align: center;">TMP3 TMQ0</td> </tr> <tr> <td style="text-align: center;">TMQ1</td> <td style="text-align: center;">TMQ2 –</td> </tr> </table> <p>For the tuned operation mode, see 8.6 Timer Tuned Operation Function.</p>	Master timer	Slave timer	TMP2	TMP3 TMQ0	TMQ1	TMQ2 –
Master timer	Slave timer						
TMP2	TMP3 TMQ0						
TMQ1	TMQ2 –						

TQnEST	Software trigger control
0	–
1	<p>Generate a valid signal for external trigger input.</p> <ul style="list-style-type: none"> • In one-shot pulse output mode: A one-shot pulse is output with writing 1 to the TQnEST bit as the trigger. • In external trigger pulse output mode: A PWM waveform is output with writing 1 to the TQnEST bit as the trigger.

Cautions

1. The TQnEST bit is valid only in the external trigger pulse output mode or one-shot pulse output mode. In any other mode, writing 1 to this bit is ignored.
2. Be sure to clear bits 3 and 4 to “0”.

TQnEEE	Count clock selection
0	Disable operation with external event count input. (Perform counting with the count clock selected by the TQnCTL0.TQnCK0 to TQnCK2 bits.)
1	Enable operation with external event count input. (Perform counting at the valid edge of the external event count input signal.)

The TQnEEE bit selects whether counting is performed with the internal count clock or the valid edge of the external event count input.

TQnMD2	TQnMD1	TQnMD0	Timer mode selection
0	0	0	Interval timer mode
0	0	1	External event count mode
0	1	0	External trigger pulse output mode
0	1	1	One-shot pulse output mode
1	0	0	PWM output mode
1	0	1	Free-running timer mode
1	1	0	Pulse width measurement mode
1	1	1	Triangular wave PWM mode

- Cautions**
- External event count input is selected in the external event count mode regardless of the value of the TQnEEE bit.
 - Set the TQnEEE and TQnMD2 to TQnMD0 bits when the TQnCTL0.TQnCE bit = 0. (The same value can be written when the TQnCE bit = 1.) The operation is not guaranteed when rewriting is performed with the TQnCE bit = 1. If rewriting was mistakenly performed, clear the TQnCE bit to 0 and then set the bits again.

<R>

(3) TMQn I/O control register 0 (TQnIOC0)

The TQnIOC0 register is an 8-bit register that controls the timer output (TOQn0 to TOQn3 pins).

This register can be read or written in 8-bit or 1-bit units.

Reset sets this register to 00H.

After reset: 00H R/W Address: TQ0IOC0 FFFFF542H, TQ1IOC0 FFFFF612H,
TQ2IOC0 FFFFF622H

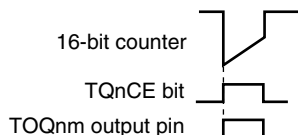
	7	6	5	4	3	2	1	0
TQnIOC0 (n = 0 to 2)	TQnOL3	TQnOE3	TQnOL2	TQnOE2	TQnOL1	TQnOE1	TQnOL0	TQnOE0

TQnOLm	TOQnm pin output level setting (m = 0 to 3) ^{Note}
0	TOQnm pin high level start
1	TOQnm pin low level start

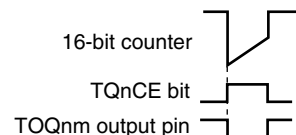
TQnOEm	TOQnm pin output setting (m = 0 to 3)
0	Timer output disabled <ul style="list-style-type: none"> • When TQnOLm bit = 0: Low level is output from the TOQnm pin • When TQnOLm bit = 1: High level is output from the TOQnm pin
1	Timer output enabled (A square wave is output from the TOQnm pin).

Note The output level of the timer output pin (TOQnm) specified by the TQnOLm bit is shown below.

• When TQnOLm bit = 0



• When TQnOLm bit = 1



Cautions 1. Rewrite the TQnOLm and TQnOEm bits when the TQnCTL0.TQnCE bit = 0. (The same value can be written when the TQnCE bit = 1.) If rewriting was mistakenly performed, clear the TQnCE bit to 0 and then set the bits again.

2. Even if the TQnOLm bit is manipulated when the TQnCE and TQnOEm bits are 0, the TOQnm pin output level varies.

Remark m = 0 to 3

(4) TMQn I/O control register 1 (TQnIOC1)

The TQnIOC1 register is an 8-bit register that controls the valid edge of the capture trigger input signals (TIQn0 to TIQn3 pins).

This register can be read or written in 8-bit or 1-bit units.

Reset sets this register to 00H.

After reset: 00H R/W Address: TQ0IOC1 FFFFF543H, TQ1IOC1 FFFFF613H,
TQ2IOC1 FFFFF623H

	7	6	5	4	3	2	1	0
TQnIOC1 (n = 0 to 2)	TQnIS7	TQnIS6	TQnIS5	TQnIS4	TQnIS3	TQnIS2	TQnIS1	TQnIS0

TQnIS7	TQnIS6	Capture trigger input signal (TIQn3 pin) valid edge setting
0	0	No edge detection (capture operation invalid)
0	1	Detection of rising edge
1	0	Detection of falling edge
1	1	Detection of both edges

TQnIS5	TQnIS4	Capture trigger input signal (TIQn2 pin) valid edge detection
0	0	No edge detection (capture operation invalid)
0	1	Detection of rising edge
1	0	Detection of falling edge
1	1	Detection of both edges

TQnIS3	TQnIS2	Capture trigger input signal (TIQn1 pin) valid edge setting
0	0	No edge detection (capture operation invalid)
0	1	Detection of rising edge
1	0	Detection of falling edge
1	1	Detection of both edges

TQnIS1	TQnIS0	Capture trigger input signal (TIQn0 pin) valid edge setting
0	0	No edge detection (capture operation invalid)
0	1	Detection of rising edge
1	0	Detection of falling edge
1	1	Detection of both edges

- Cautions**
1. Rewrite the TQnIS7 to TQnIS0 bits when the TQnCTL0.TQnCE bit = 0. (The same value can be written when the TQnCE bit = 1.) If rewriting was mistakenly performed, clear the TQnCE bit to 0 and then set the bits again.
 2. The TQnIS7 to TQnIS0 bits are valid only in the free-running timer mode and the pulse width measurement mode. In all other modes, a capture operation is not possible.

(5) TMQn I/O control register 2 (TQnIOC2)

The TQnIOC2 register is an 8-bit register that controls the valid edge of the external event count input signal (TIQn0 pin) and external trigger input signal (TlQn0 pin).

This register can be read or written in 8-bit or 1-bit units.

Reset sets this register to 00H.

After reset: 00H R/W Address: TQ0IOC2 FFFFF544H, TQ1IOC2 FFFFF614H, TQ2IOC2 FFFFF624H

	7	6	5	4	3	2	1	0
TQnIOC2 (n = 0 to 2)	0	0	0	0	TQnEES1	TQnEES0	TQnETS1	TQnETS0

TQnEES1	TQnEES0	External event count input signal (TIQn0 pin) valid edge setting
0	0	No edge detection (external event count invalid)
0	1	Detection of rising edge
1	0	Detection of falling edge
1	1	Detection of both edges

TQnETS1	TQnETS0	External trigger input signal (TlQn0 pin) valid edge setting
0	0	No edge detection (external trigger invalid)
0	1	Detection of rising edge
1	0	Detection of falling edge
1	1	Detection of both edges

- Cautions**
1. Rewrite the TQnEES1, TQnEES0, TQnETS1, and TQnETS0 bits when the TQnCTL0.TQnCE bit = 0. (The same value can be written when the TQnCE bit = 1.) If rewriting was mistakenly performed, clear the TQnCE bit to 0 and then set the bits again.
 2. The TQnEES1 and TQnEES0 bits are valid only when the TQnCTL1.TQnEEE bit = 1 or when the external event count mode (TQnCTL1.TQnMD2 to TQnCTL1.TQnMD0 bits = 001) has been set.
 3. The TQnETS1 and TQnETS0 bits are valid only when the external trigger pulse output mode (TQnCTL1.TQnMD2 to TQnCTL1.TQnMD0 bits = 010) or the one-shot pulse output mode (TQnCTL1.TQnMD2 to TQnCTL1.TQnMD0 = 011) is set.

(6) TMQn option register 0 (TQnOPT0)

The TQnOPT0 register is an 8-bit register used to set the capture/compare operation and detect an overflow.

This register can be read or written in 8-bit or 1-bit units.

Reset sets this register to 00H.

After reset: 00H R/W Address: TQ0OPT0 FFFFF545H, TQ1OPT0 FFFFF615H, TQ2OPT0 FFFFF625H

	7	6	5	4	3	2	1	0
TQnOPT0 (n = 0 to 2)	TQnCCS3	TQnCCS2	TQnCCS1	TQnCCS0	0	0	0	TQnOVF

TQnCCSm	TQnCCRm register capture/compare selection
0	Compare register selected
1	Capture register selected
The TQnCCSm bit setting is valid only in the free-running timer mode.	

TQnOVF	TMQn overflow detection
Set (1)	Overflow occurred
Reset (0)	TQnOVF bit 0 written or TQnCTL0.TQnCE bit = 0
<ul style="list-style-type: none"> • The TQnOVF bit is set to 1 when the 16-bit counter count value overflows from FFFFH to 0000H in the free-running timer mode or the pulse width measurement mode. • An interrupt request signal (INTTQnOV) is generated at the same time that the TQnOVF bit is set to 1. The INTTQnOV signal is not generated in modes other than the free-running timer mode and the pulse width measurement mode. • The TQnOVF bit is not cleared even when the TQnOVF bit or the TQnOPT0 register are read when the TQnOVF bit = 1. • The TQnOVF bit can be both read and written, but the TQnOVF bit cannot be set to 1 by software. Writing 1 has no influence on the operation of TMQn. 	

Cautions 1. Rewrite the TQnCCS3 to TQnCCS0 bits when the TQnCTL0.TQnCE bit = 0. (The same value can be written when the TQnCE bit = 1.) If rewriting was mistakenly performed, clear the TQnCE bit to 0 and then set the bits again.

2. Be sure to clear bits 1 to 3 to “0”.

Remark m = 0 to 3

(7) TMQn capture/compare register 0 (TQnCCR0)

The TQnCCR0 register can be used as a capture register or a compare register depending on the mode.

This register can be used as a capture register or a compare register only in the free-running timer mode, depending on the setting of the TQnOPT0.TQnCCS0 bit. In the pulse width measurement mode, the TQnCCR0 register can be used only as a capture register. In any other mode, this register can be used only as a compare register.

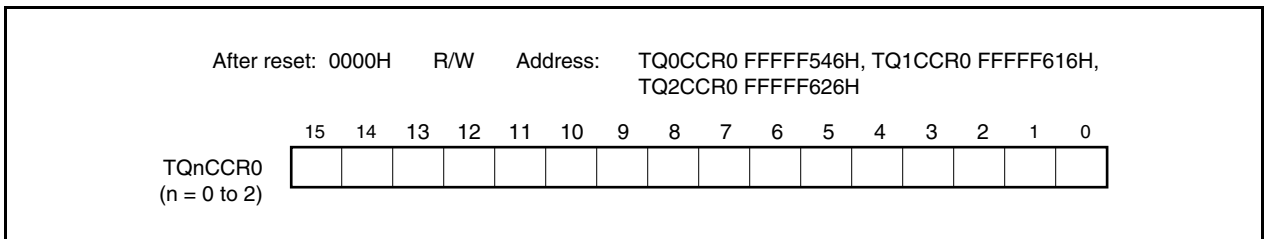
The TQnCCR0 register can be read or written during operation.

This register can be read or written in 16-bit units.

Reset sets this register to 0000H.

Caution Accessing the TQnCCR0 register is prohibited in the following statuses. For details, see 3.4.8 (2) Accessing specific on-chip peripheral I/O registers.

- When the CPU operates with the subclock and the main clock oscillation is stopped
- When the CPU operates with the internal oscillation clock



(a) Function as compare register

The TQnCCR0 register can be rewritten even when the TQnCTL0.TQnCE bit = 1.

The set value of the TQnCCR0 register is transferred to the CCR0 buffer register. When the value of the 16-bit counter matches the value of the CCR0 buffer register, a compare match interrupt request signal (INTTQnCC0) is generated. If TOQn0 pin output is enabled at this time, the output of the TOQn0 pin is inverted.

When the TQnCCR0 register is used as a cycle register in the interval timer mode, external event count mode, external trigger pulse output mode, one-shot pulse output mode, PWM output mode, or triangular wave PWM mode, the value of the 16-bit counter is cleared (0000H) if its count value matches the value of the CCR0 buffer register.

(b) Function as capture register

When the TQnCCR0 register is used as a capture register in the free-running timer mode, the count value of the 16-bit counter is stored in the TQnCCR0 register if the valid edge of the capture trigger input pin (TIQn0 pin) is detected. In the pulse-width measurement mode, the count value of the 16-bit counter is stored in the TQnCCR0 register and the 16-bit counter is cleared (0000H) if the valid edge of the capture trigger input pin (TIQn0 pin) is detected.

Even if the capture operation and reading the TQnCCR0 register conflict, the correct value of the TQnCCR0 register can be read.

Remark n = 0 to 2

The following table shows the functions of the capture/compare register in each mode, and how to write data to the compare register.

Table 8-2. Function of Capture/Compare Register in Each Mode and How to Write Compare Register

Operation Mode	Capture/Compare Register	How to Write Compare Register
Interval timer	Compare register	Anytime write
External event counter	Compare register	Anytime write
External trigger pulse output	Compare register	Batch write
One-shot pulse output	Compare register	Anytime write
PWM output	Compare register	Batch write
Free-running timer	Capture/compare register	Anytime write
Pulse width measurement	Capture register	–
Triangular wave PWM mode	Compare register	Batch write

(8) TMQn capture/compare register 1 (TQnCCR1)

The TQnCCR1 register can be used as a capture register or a compare register depending on the mode.

This register can be used as a capture register or a compare register only in the free-running timer mode, depending on the setting of the TQnOPT0.TQnCCS1 bit. In the pulse width measurement mode, the TQnCCR1 register can be used only as a capture register. In any other mode, this register can be used only as a compare register.

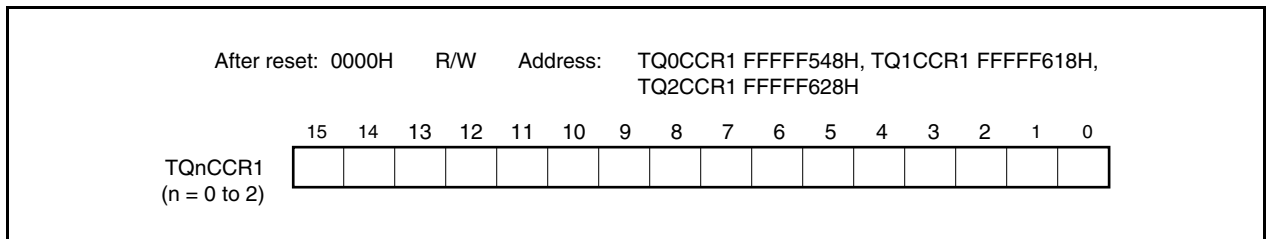
The TQnCCR1 register can be read or written during operation.

This register can be read or written in 16-bit units.

Reset sets this register to 0000H.

Caution Accessing the TQnCCR1 register is prohibited in the following statuses. For details, see 3.4.8 (2) Accessing specific on-chip peripheral I/O registers.

- When the CPU operates with the subclock and the main clock oscillation is stopped
- When the CPU operates with the internal oscillation clock



(a) Function as compare register

The TQnCCR1 register can be rewritten even when the TQnCTL0.TQnCE bit = 1.

The set value of the TQnCCR1 register is transferred to the CCR1 buffer register. When the value of the 16-bit counter matches the value of the CCR1 buffer register, a compare match interrupt request signal (INTTQnCC1) is generated. If TOQn1 pin output is enabled at this time, the output of the TOQn1 pin is inverted.

(b) Function as capture register

When the TQnCCR1 register is used as a capture register in the free-running timer mode, the count value of the 16-bit counter is stored in the TQnCCR1 register if the valid edge of the capture trigger input pin (TIQn1 pin) is detected. In the pulse-width measurement mode, the count value of the 16-bit counter is stored in the TQnCCR1 register and the 16-bit counter is cleared (0000H) if the valid edge of the capture trigger input pin (TIQn1 pin) is detected.

Even if the capture operation and reading the TQnCCR1 register conflict, the correct value of the TQnCCR1 register can be read.

Remark n = 0 to 2

The following table shows the functions of the capture/compare register in each mode, and how to write data to the compare register.

Table 8-3. Function of Capture/Compare Register in Each Mode and How to Write Compare Register

Operation Mode	Capture/Compare Register	How to Write Compare Register
Interval timer	Compare register	Anytime write
External event counter	Compare register	Anytime write
External trigger pulse output	Compare register	Batch write
One-shot pulse output	Compare register	Anytime write
PWM output	Compare register	Batch write
Free-running timer	Capture/compare register	Anytime write
Pulse width measurement	Capture register	–
Triangular wave PWM mode	Compare register	Batch write

(9) TMQn capture/compare register 2 (TQnCCR2)

The TQnCCR2 register can be used as a capture register or a compare register depending on the mode.

This register can be used as a capture register or a compare register only in the free-running timer mode, depending on the setting of the TQnOPT0.TQnCCS2 bit. In the pulse width measurement mode, the TQnCCR2 register can be used only as a capture register. In any other mode, this register can be used only as a compare register.

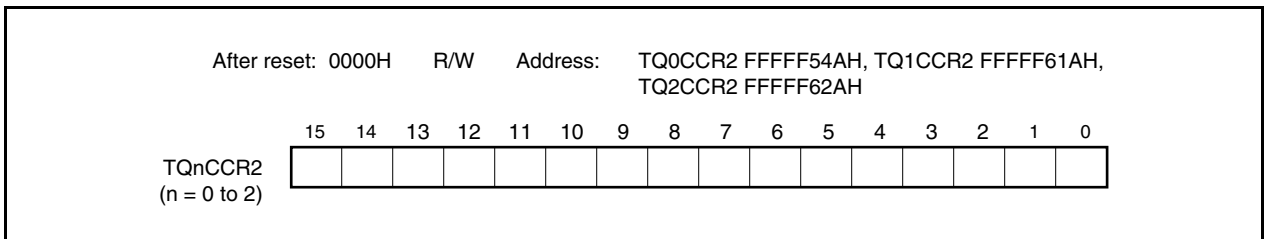
The TQnCCR2 register can be read or written during operation.

This register can be read or written in 16-bit units.

Reset sets this register to 0000H.

Caution Accessing the TQnCCR2 register is prohibited in the following statuses. For details, see 3.4.8 (2) Accessing specific on-chip peripheral I/O registers.

- When the CPU operates with the subclock and the main clock oscillation is stopped
- When the CPU operates with the internal oscillation clock



(a) Function as compare register

The TQnCCR2 register can be rewritten even when the TQnCTL0.TQnCE bit = 1.

The set value of the TQnCCR2 register is transferred to the CCR2 buffer register. When the value of the 16-bit counter matches the value of the CCR2 buffer register, a compare match interrupt request signal (INTTQnCC2) is generated. If TOQn2 pin output is enabled at this time, the output of the TOQn2 pin is inverted.

(b) Function as capture register

When the TQnCCR2 register is used as a capture register in the free-running timer mode, the count value of the 16-bit counter is stored in the TQnCCR2 register if the valid edge of the capture trigger input pin (TIQn2 pin) is detected. In the pulse-width measurement mode, the count value of the 16-bit counter is stored in the TQnCCR2 register and the 16-bit counter is cleared (0000H) if the valid edge of the capture trigger input pin (TIQn2 pin) is detected.

Even if the capture operation and reading the TQnCCR2 register conflict, the correct value of the TQnCCR2 register can be read.

Remark n = 0 to 2

The following table shows the functions of the capture/compare register in each mode, and how to write data to the compare register.

Table 8-4. Function of Capture/Compare Register in Each Mode and How to Write Compare Register

Operation Mode	Capture/Compare Register	How to Write Compare Register
Interval timer	Compare register	Anytime write
External event counter	Compare register	Anytime write
External trigger pulse output	Compare register	Batch write
One-shot pulse output	Compare register	Anytime write
PWM output	Compare register	Batch write
Free-running timer	Capture/compare register	Anytime write
Pulse width measurement	Capture register	–
Triangular wave PWM mode	Compare register	Batch write

(10) TMQn capture/compare register 3 (TQnCCR3)

The TQnCCR3 register can be used as a capture register or a compare register depending on the mode.

This register can be used as a capture register or a compare register only in the free-running timer mode, depending on the setting of the TQnOPT0.TQnCCS3 bit. In the pulse width measurement mode, the TQnCCR3 register can be used only as a capture register. In any other mode, this register can be used only as a compare register.

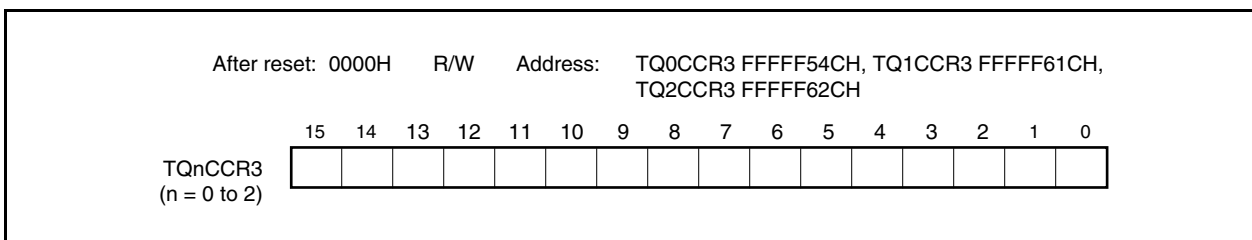
The TQnCCR3 register can be read or written during operation.

This register can be read or written in 16-bit units.

Reset sets this register to 0000H.

Caution Accessing the TQnCCR3 register is prohibited in the following statuses. For details, see 3.4.8 (2) Accessing specific on-chip peripheral I/O registers.

- When the CPU operates with the subclock and the main clock oscillation is stopped
- When the CPU operates with the internal oscillation clock



(a) Function as compare register

The TQnCCR3 register can be rewritten even when the TQnCTL0.TQnCE bit = 1.

The set value of the TQnCCR3 register is transferred to the CCR3 buffer register. When the value of the 16-bit counter matches the value of the CCR3 buffer register, a compare match interrupt request signal (INTTQnCC3) is generated. If TOQn3 pin output is enabled at this time, the output of the TOQn3 pin is inverted.

(b) Function as capture register

When the TQnCCR3 register is used as a capture register in the free-running timer mode, the count value of the 16-bit counter is stored in the TQnCCR3 register if the valid edge of the capture trigger input pin (TIQn3 pin) is detected. In the pulse-width measurement mode, the count value of the 16-bit counter is stored in the TQnCCR3 register and the 16-bit counter is cleared (0000H) if the valid edge of the capture trigger input pin (TIQn3 pin) is detected.

Even if the capture operation and reading the TQnCCR3 register conflict, the correct value of the TQnCCR3 register can be read.

Remark n = 0 to 2

The following table shows the functions of the capture/compare register in each mode, and how to write data to the compare register.

Table 8-5. Function of Capture/Compare Register in Each Mode and How to Write Compare Register

Operation Mode	Capture/Compare Register	How to Write Compare Register
Interval timer	Compare register	Anytime write
External event counter	Compare register	Anytime write
External trigger pulse output	Compare register	Batch write
One-shot pulse output	Compare register	Anytime write
PWM output	Compare register	Batch write
Free-running timer	Capture/compare register	Anytime write
Pulse width measurement	Capture register	—
Triangular wave PWM mode	Compare register	Batch write

(11) TMQn counter read buffer register (TQnCNT)

The TQnCNT register is a read buffer register that can read the count value of the 16-bit counter.

If this register is read when the TQnCTL0.TQnCE bit = 1, the count value of the 16-bit timer can be read.

This register is read-only, in 16-bit units.

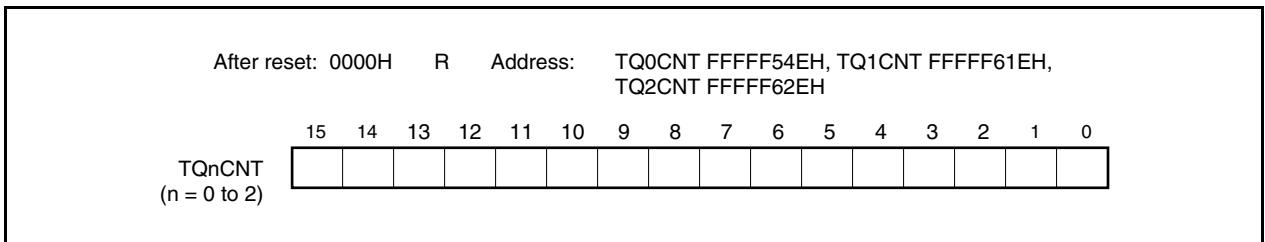
The value of the TQnCNT register is cleared to 0000H when the TQnCE bit = 0. If the TQnCNT register is read at this time, the value of the 16-bit counter (FFFFH) is not read, but 0000H is read.

The value of the TQnCNT register is cleared to 0000H after reset, as the TQnCE bit is cleared to 0.

Caution Accessing the TQnCNT register is prohibited in the following statuses. For details, see 3.4.8

(2) Accessing specific on-chip peripheral I/O registers.

- When the CPU operates with the subclock and the main clock oscillation is stopped
- When the CPU operates with the internal oscillation clock



(12) TIQnm pin noise elimination control register (QnmNFC)

The QnmNFC register is an 8-bit register that sets the digital noise filter of the timer Q input pin for noise elimination.

This register can be read or written in 8-bit or 1-bit units.

Reset sets this register to 00H.

After reset: 00H R/W Address: Q00NFC: FFFF50H (TIQ00 pin)
 Q01NFC: FFFF54H (TIQ01 pin)
 Q02NFC: FFFF58H (TIQ02 pin)
 Q03NFC: FFFF5CH (TIQ03 pin)
 Q10NFC: FFFF60H (TIQ10 pin)
 Q11NFC: FFFF64H (TIQ11 pin)
 Q12NFC: FFFF68H (TIQ12 pin)
 Q13NFC: FFFF6CH (TIQ13 pin)
 Q20NFC: FFFF70H (TIQ20 pin)
 Q21NFC: FFFF74H (TIQ21 pin)
 Q22NFC: FFFF78H (TIQ22 pin)
 Q23NFC: FFFF7CH (TIQ23 pin)

	7	6	5	4	3	2	1	0
QnmNFC	0	NFSTS	0	0	0	NFC2	NFC1	NFC0

(n = 0 to 2, m = 0 to 3)

NFSTS	Setting of number of times of sampling by digital noise filter
0	3 times
1	2 times

NFC2	NFC1	NFC0	Sampling clock
0	0	0	f_{xx}
0	0	1	$f_{xx}/2$
0	1	0	$f_{xx}/4$
0	1	1	$f_{xx}/16$
1	0	0	$f_{xx}/32$
1	0	1	$f_{xx}/64$
Other than above			Setting prohibited

- Cautions**
1. Be sure to clear bits 3 to 5 and 7 to “0”.
 2. A signal input to the timer input pin (TIQnm) before the QnmNFC register is set is output with digital noise eliminated. Therefore, set the sampling clock (NFC2 to NFC0) and the number of times of sampling (NFSTS) by using the QnmNFC register, wait for initialization time = (Sampling clock) × (Number of times of sampling), and enable the timer operation.

Remark The width of the noise that can be accurately eliminated is (Sampling clock) × (Number of times of sampling – 1). Even noise with a width narrower than this may cause a miscount if it is synchronized with the sampling clock.

8.5 Operation

TMQn can perform the following operations.

Operation	TQnCTL1.TQnEST Bit (Software Trigger Bit)	TIQn0 Pin (External Trigger Input)	Capture/Compare Register Setting	Compare Register Write
Interval timer mode	Invalid	Invalid	Compare only	Anytime write
External event count mode ^{Note 1}	Invalid	Invalid	Compare only	Anytime write
External trigger pulse output mode ^{Note 2}	Valid	Valid	Compare only	Batch write
One-shot pulse output mode ^{Note 2}	Valid	Valid	Compare only	Anytime write
PWM output mode	Invalid	Invalid	Compare only	Batch write
Free-running timer mode	Invalid	Invalid	Switching enabled	Anytime write
Pulse width measurement mode ^{Note 2}	Invalid	Invalid	Capture only	Not applicable
Triangular wave PWM mode	Invalid	Invalid	Compare only	Batch write

- Notes 1.** To use the external event count mode, specify that the valid edge of the TIQn0 pin capture trigger input is not detected (by clearing the TQnIOC1.TQnIS1 and TQnIOC1.TQnIS0 bits to “00”).
- 2.** When using the external trigger pulse output mode, one-shot pulse output mode, and pulse width measurement mode, select the internal clock as the count clock (by clearing the TQnCTL1.TQnEEE bit to 0).

Remark n= 0 to 2

8.5.1 Interval timer mode (TQnMD2 to TQnMD0 bits = 000)

In the interval timer mode, an interrupt request signal (INTTQnCC0) is generated at the specified interval if the TQnCTL0.TQnCE bit is set to 1. A square wave whose half cycle is equal to the interval can be output from the TOQn0 pin.

Usually, the TQnCCR1 to TQnCCR3 registers are not used in the interval timer mode.

Figure 8-2. Configuration of Interval Timer

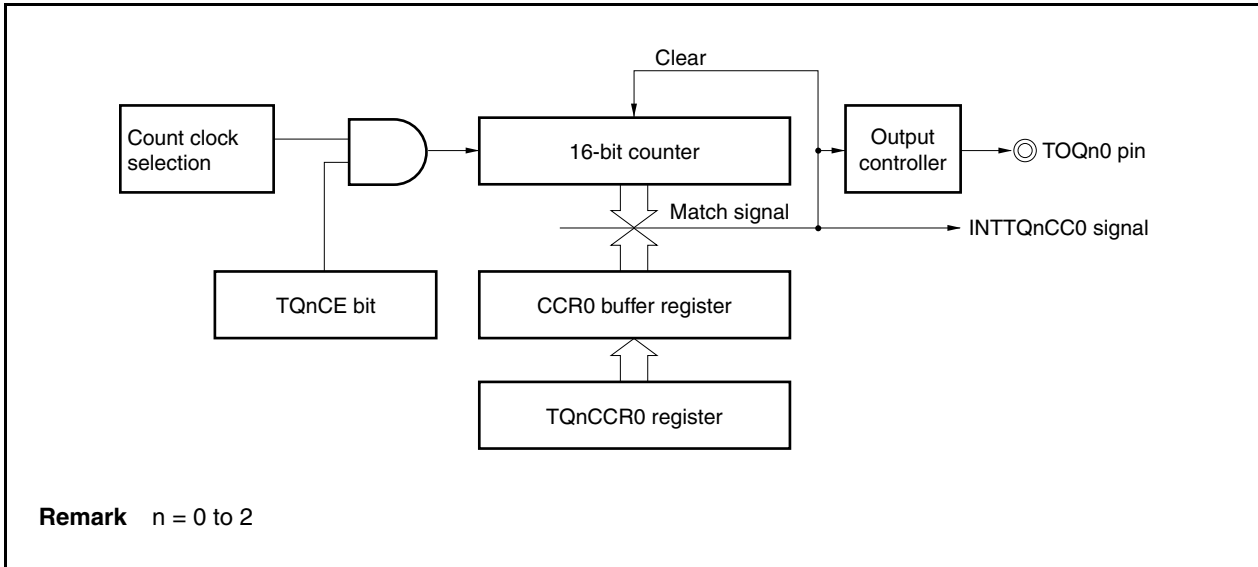
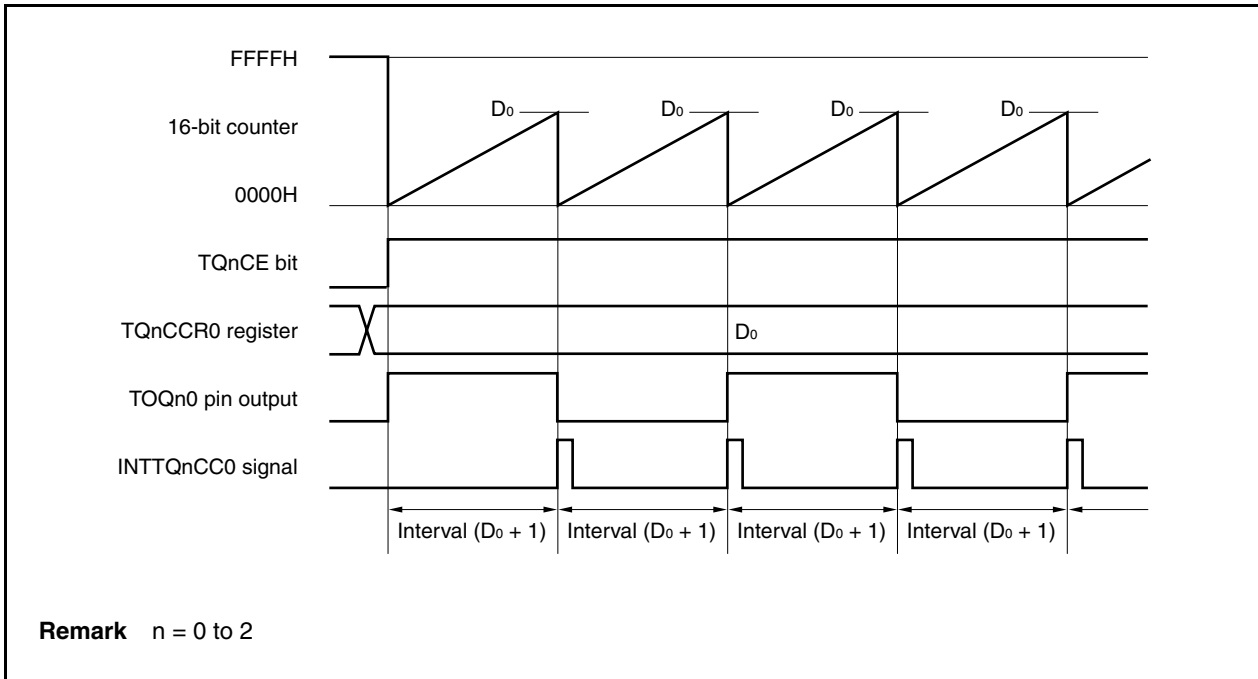


Figure 8-3. Basic Timing of Operation in Interval Timer Mode



When the TQnCE bit is set to 1, the value of the 16-bit counter is cleared from FFFFH to 0000H in synchronization with the count clock, and the counter starts counting. At this time, the output of the TOQn0 pin is inverted. Additionally, the set value of the TQnCCR0 register is transferred to the CCR0 buffer register.

When the count value of the 16-bit counter matches the value of the CCR0 buffer register, the 16-bit counter is cleared to 0000H, the output of the TOQn0 pin is inverted, and a compare match interrupt request signal (INTTQnCC0) is generated.

The interval can be calculated by the following expression.

$$\text{Interval} = (\text{Set value of TQnCCR0 register} + 1) \times \text{Count clock cycle}$$

Figure 8-4. Register Setting for Interval Timer Mode Operation (1/2)

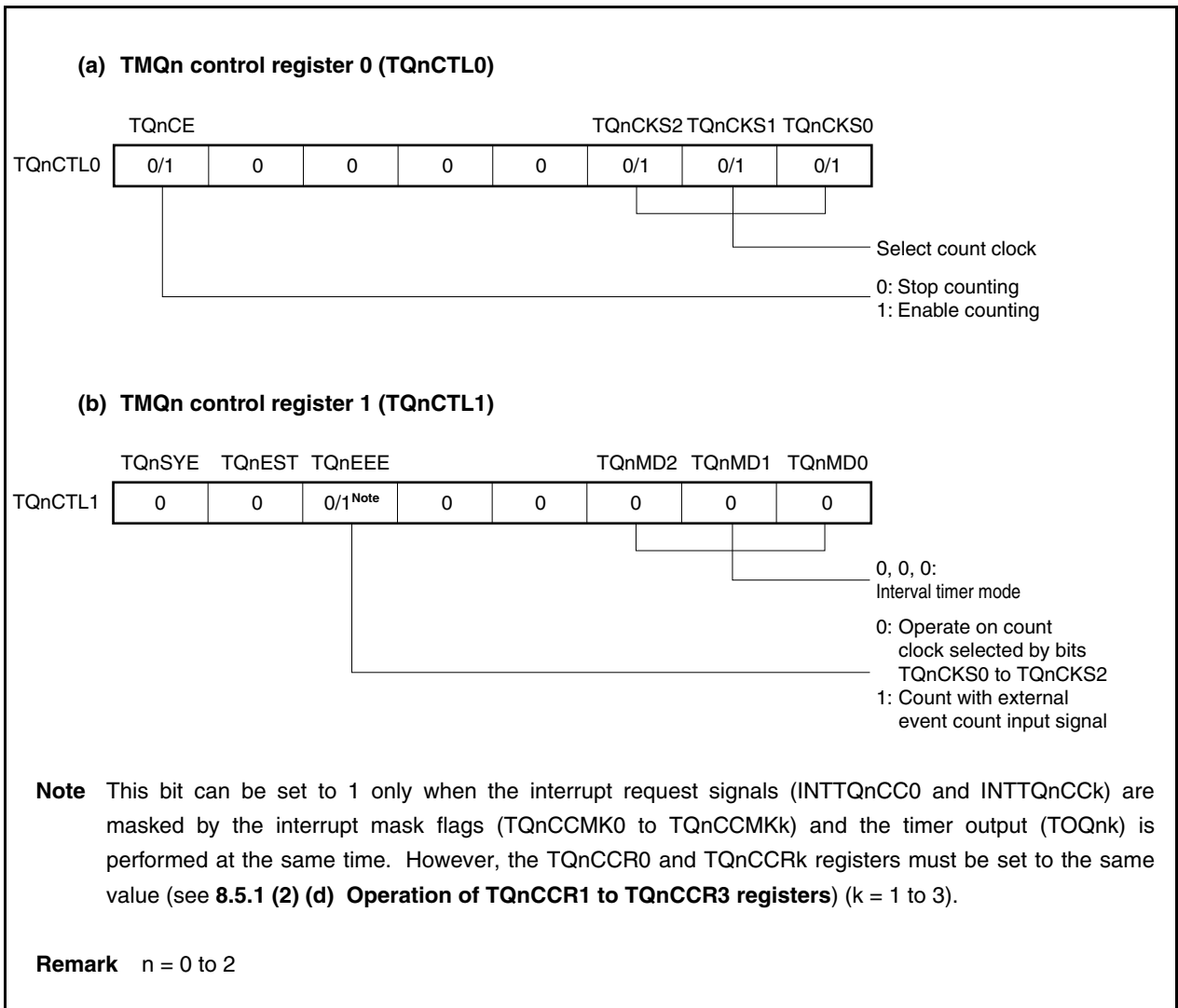
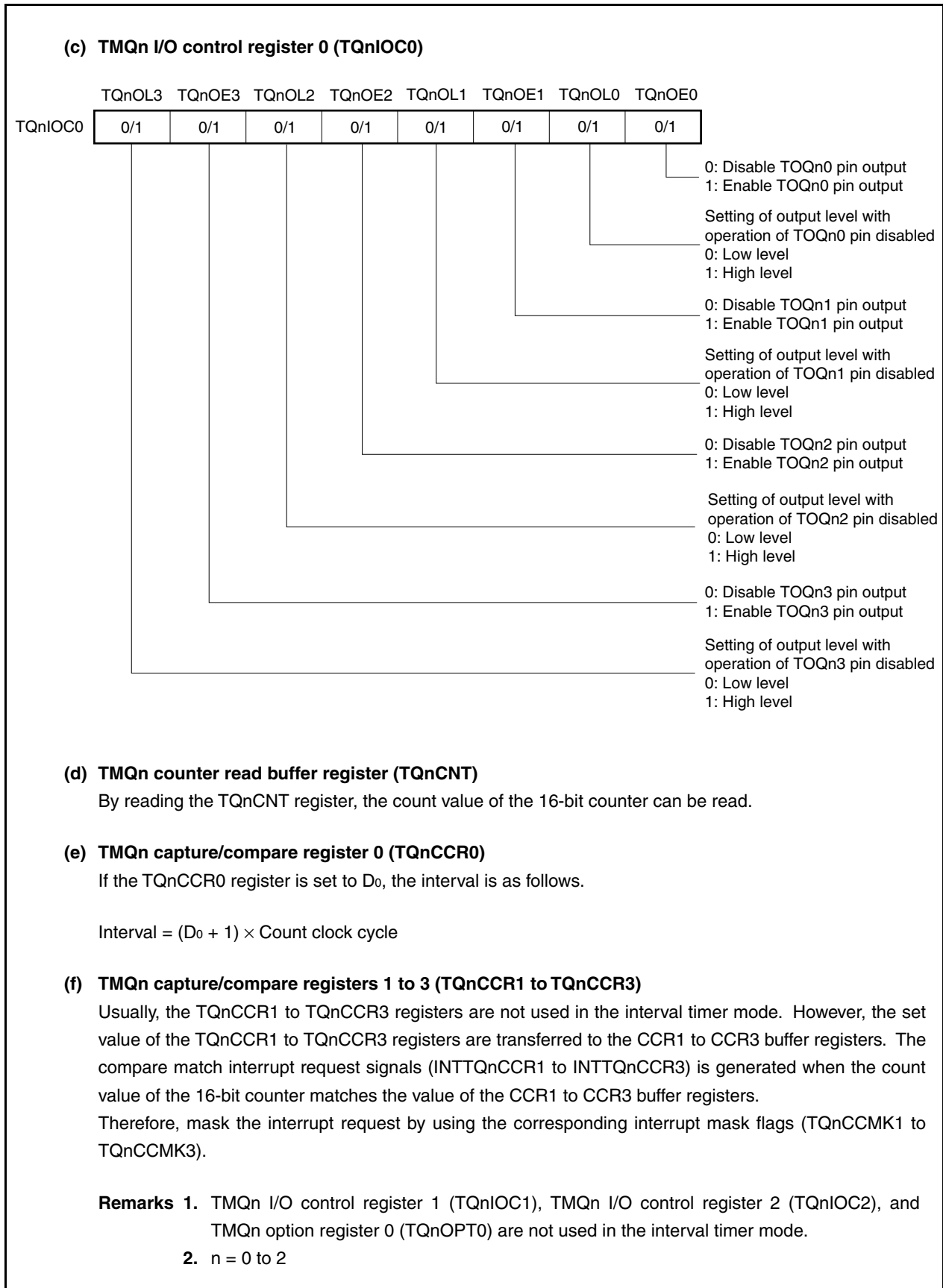
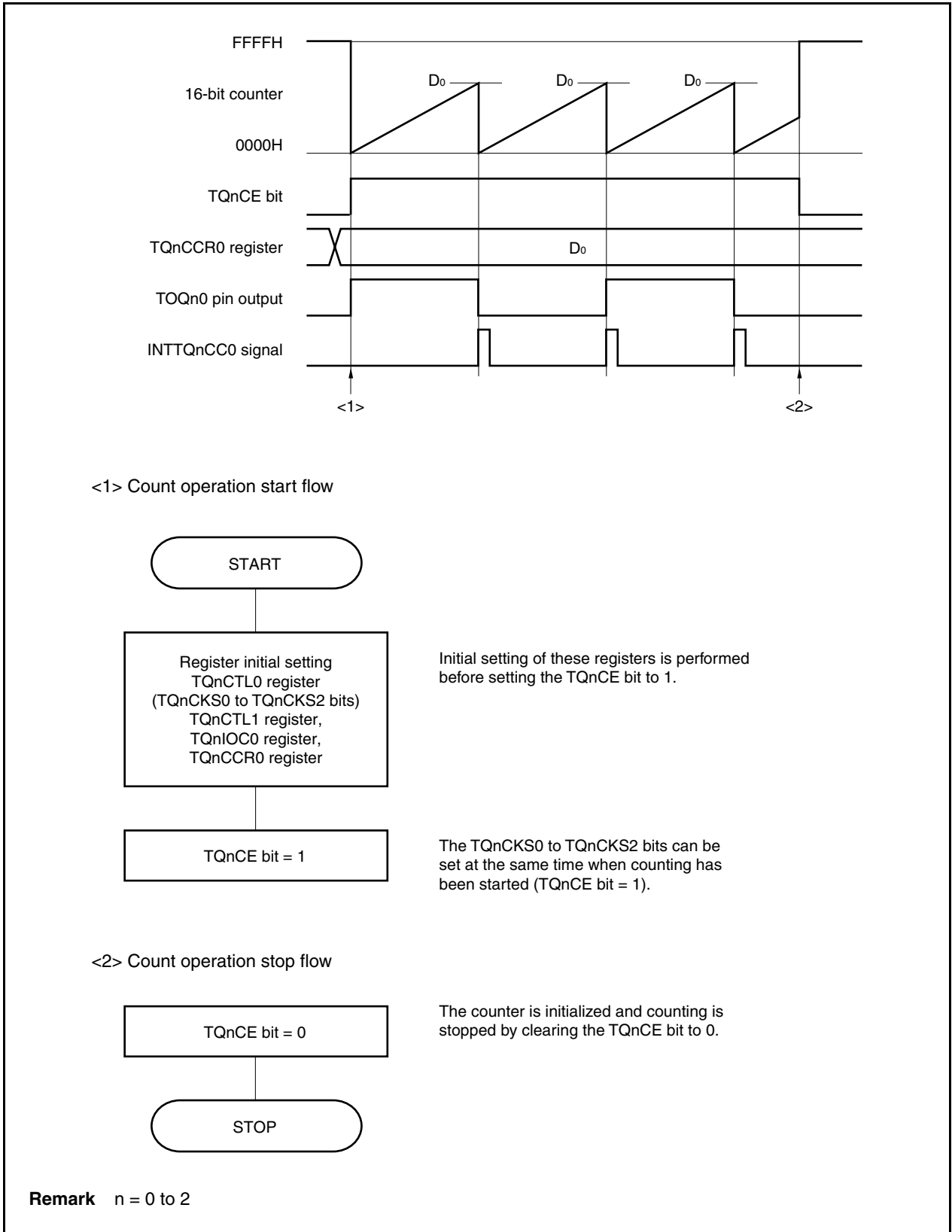


Figure 8-4. Register Setting for Interval Timer Mode Operation (2/2)



(1) Interval timer mode operation flow

Figure 8-5. Software Processing Flow in Interval Timer Mode

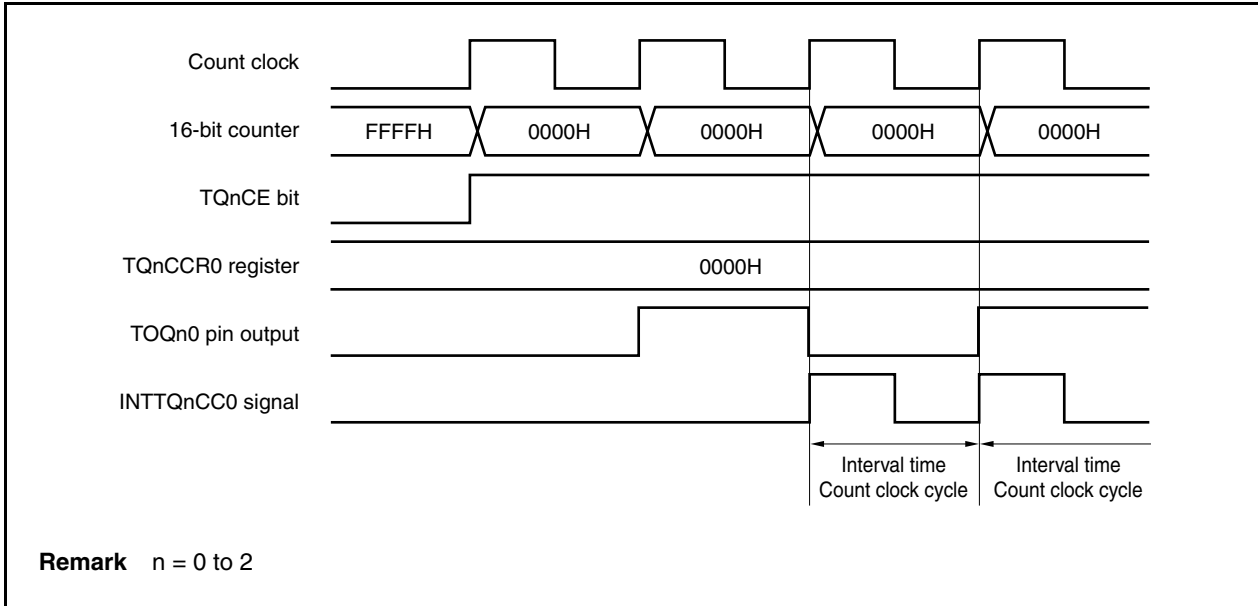


(2) Interval timer mode operation timing

(a) Operation if TQnCCR0 register is set to 0000H

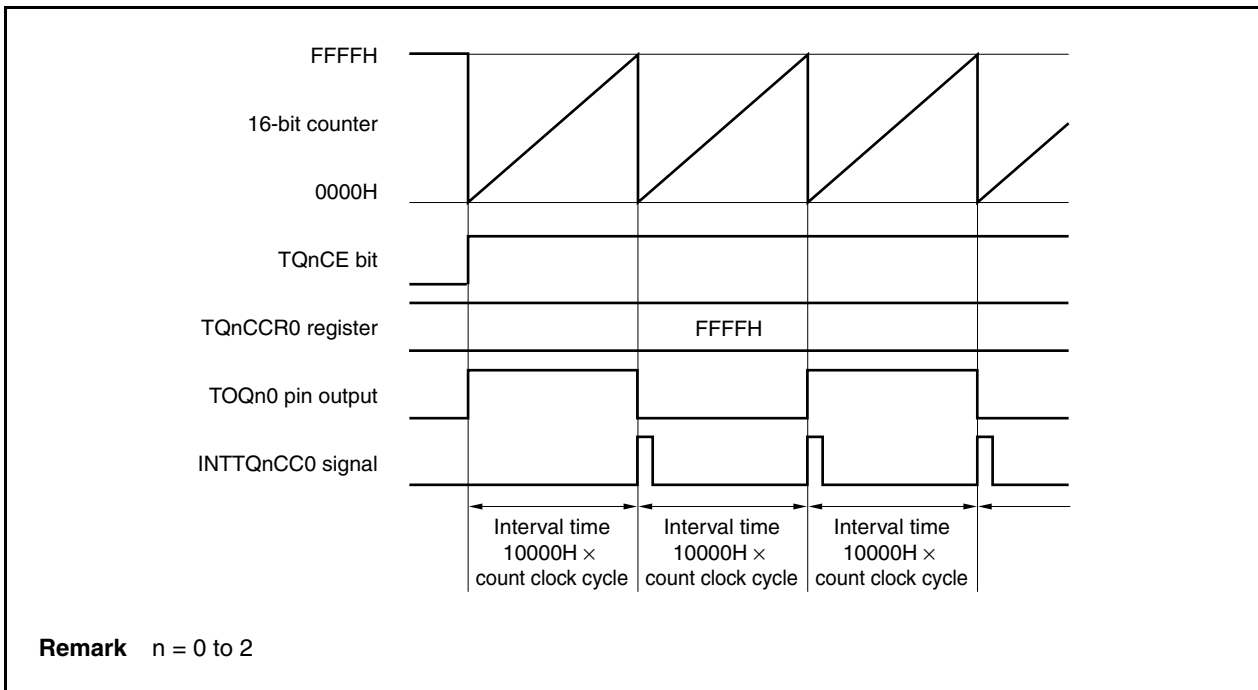
If the TQnCCR0 register is set to 0000H, the INTTQnCC0 signal is generated at each count clock subsequent to the first count clock, and the output of the TOQn0 pin is inverted.

The value of the 16-bit counter is always 0000H.



(b) Operation if TQnCCR0 register is set to FFFFH

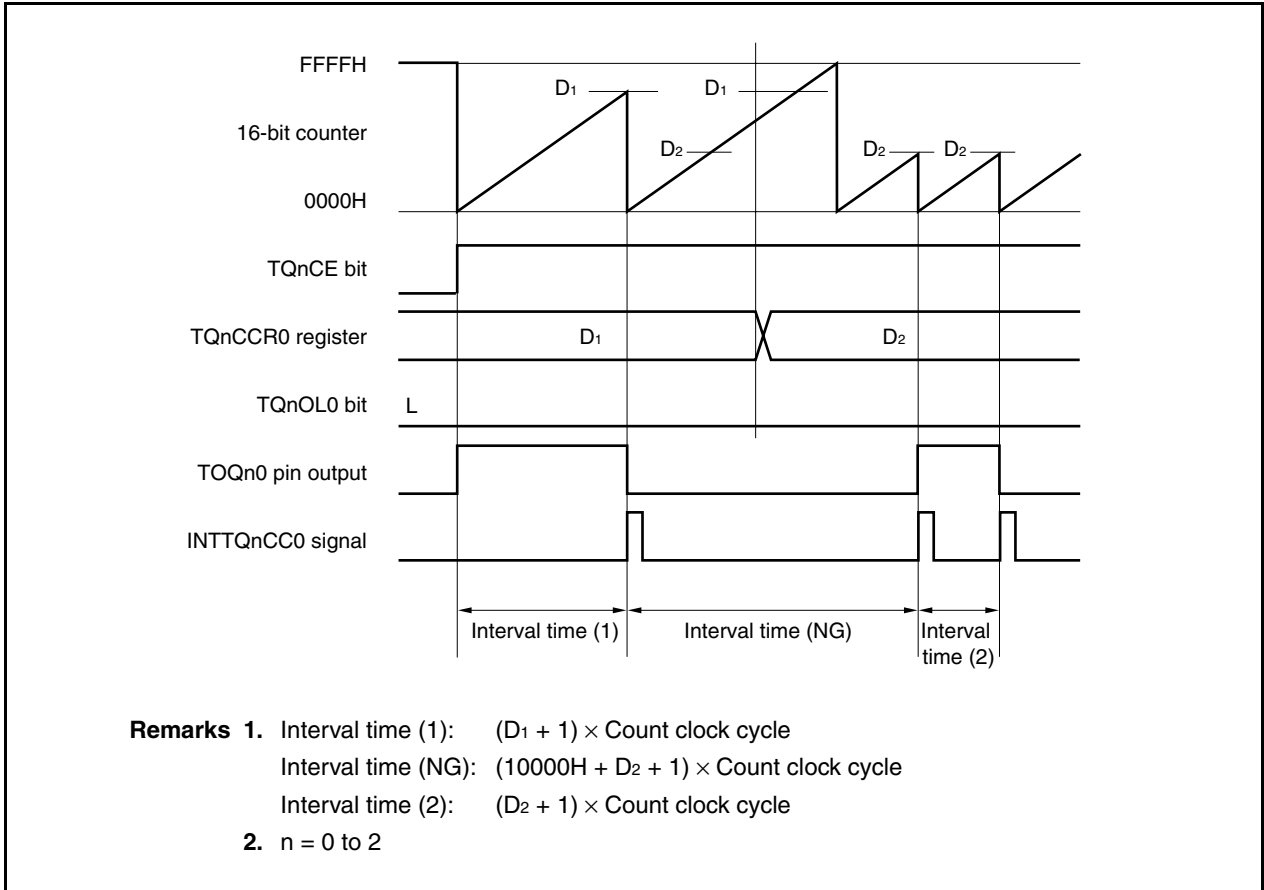
If the TQnCCR0 register is set to FFFFH, the 16-bit counter counts up to FFFFH. The counter is cleared to 0000H in synchronization with the next count-up timing. The INTTQnCC0 signal is generated and the output of the TOQn0 pin is inverted. At this time, an overflow interrupt request signal (INTTQnOV) is not generated, nor is the overflow flag (TQnOPT0.TQnOVF bit) set to 1.



(c) Notes on rewriting TQnCCR0 register

To change the value of the TQnCCR0 register to a smaller value, stop counting once and then change the set value.

If the value of the TQnCCR0 register is rewritten to a smaller value during counting, the 16-bit counter may overflow.



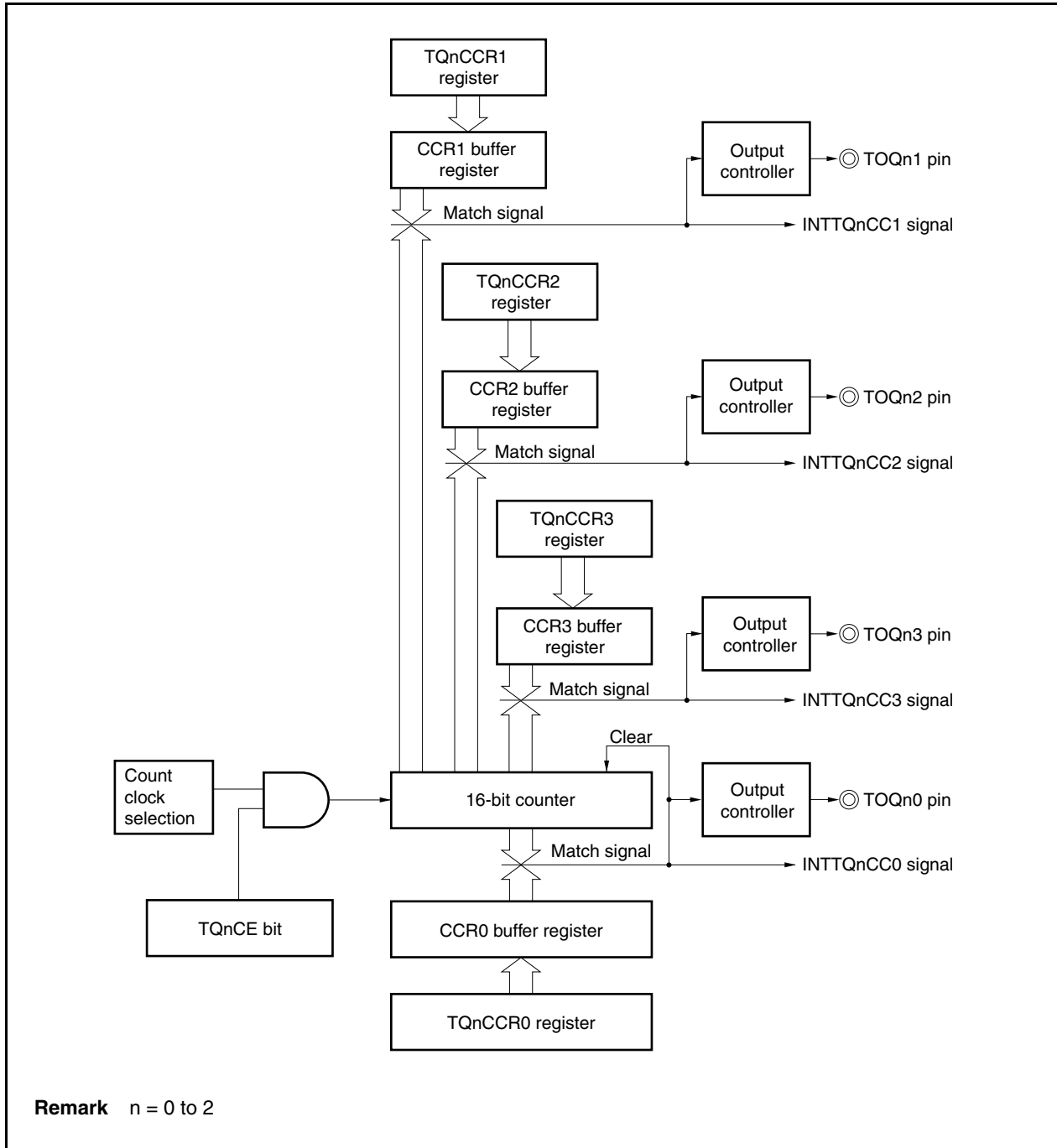
If the value of the TQnCCR0 register is changed from D_1 to D_2 while the count value is greater than D_2 but less than D_1 , the count value is transferred to the CCR0 buffer register as soon as the TQnCCR0 register has been rewritten. Consequently, the value of the 16-bit counter that is compared is D_2 .

Because the count value has already exceeded D_2 , however, the 16-bit counter counts up to FFFFH, overflows, and then counts up again from 0000H. When the count value matches D_2 , the INTTQnCC0 signal is generated and the output of the TOQn0 pin is inverted.

Therefore, the INTTQnCC0 signal may not be generated at the interval time " $(D_1 + 1) \times \text{Count clock cycle}$ " or " $(D_2 + 1) \times \text{Count clock cycle}$ " originally expected, but may be generated at an interval of " $(10000H + D_2 + 1) \times \text{Count clock period}$ ".

(d) Operation of TQnCCR1 to TQnCCR3 registers

Figure 8-6. Configuration of TQnCCR1 to TQnCCR3 Registers

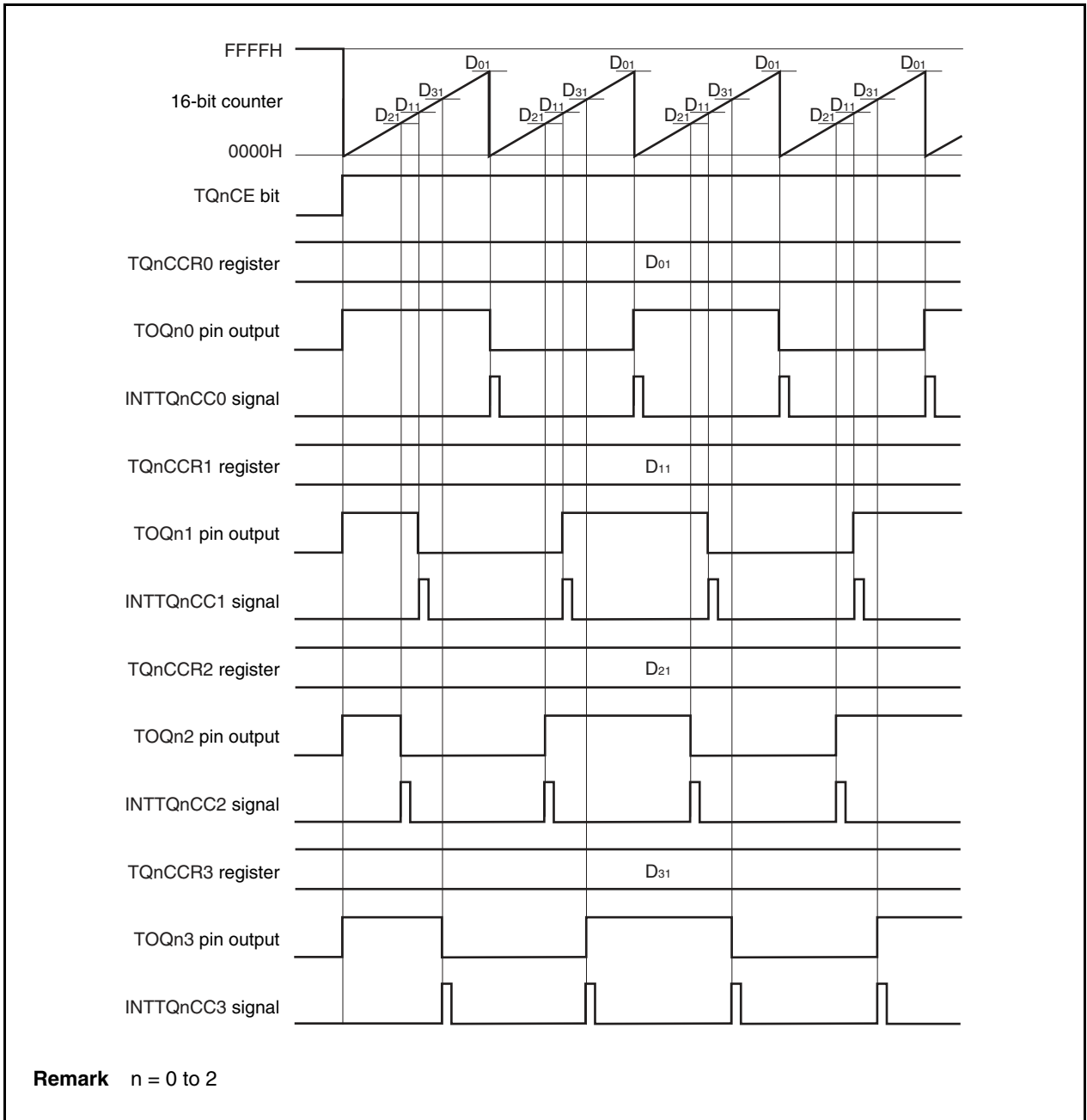


If the set value of the TQnCCRk register is less than the set value of the TQnCCR0 register, the INTTQnCCk signal is generated once per cycle. At the same time, the output of the TOPQnk pin is inverted.

The TOQnk pin outputs a square wave with the same cycle as that output by the TOQn0 pin.

Remark k = 1 to 3,
n = 0 to 2

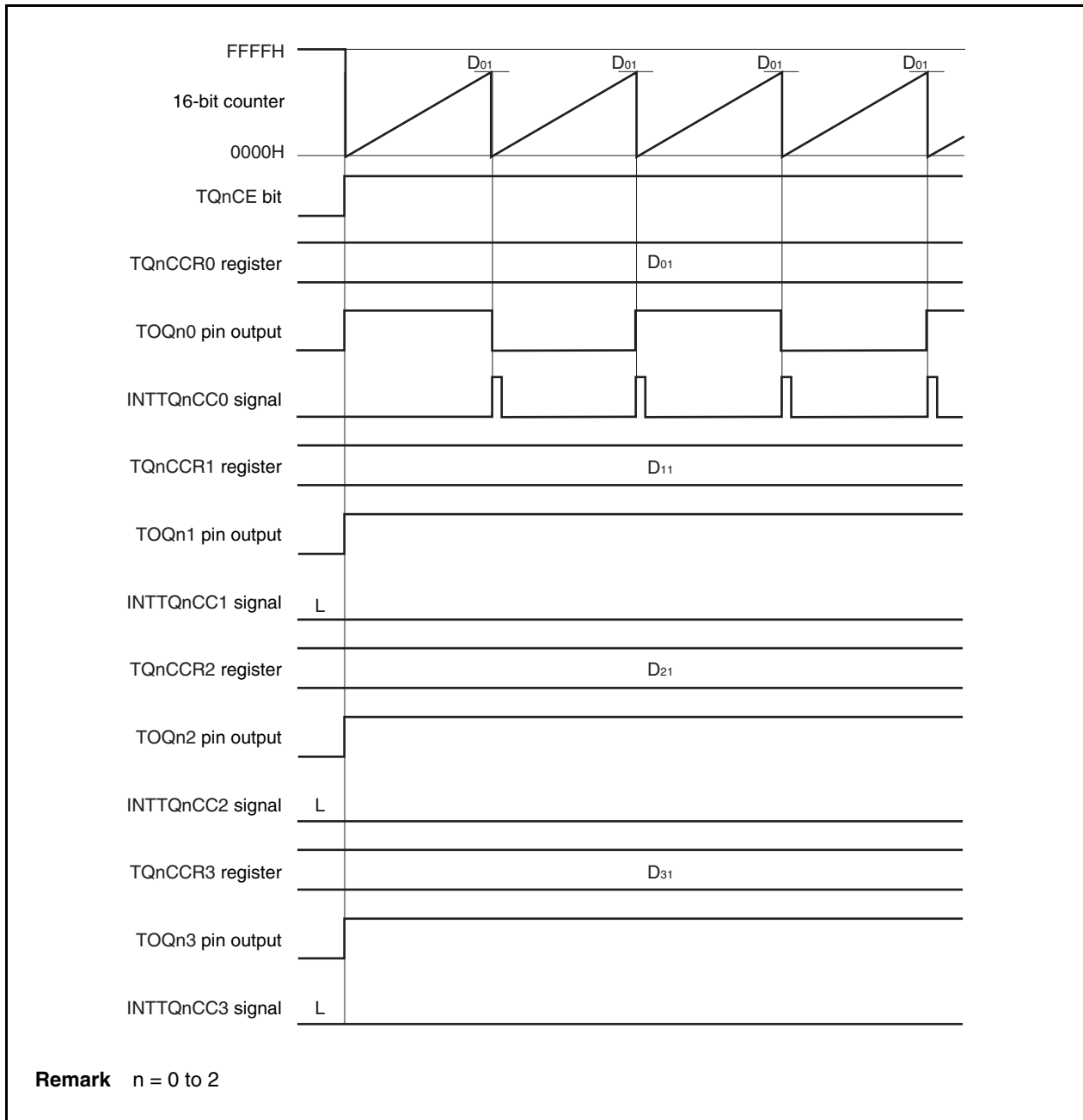
Figure 8-7. Timing Chart When $D_{01} \geq D_{k1}$



If the set value of the TQnCCRk register is greater than the set value of the TQnCCR0 register, the count value of the 16-bit counter does not match the value of the TQnCCRk register. Consequently, the INTTQnCCk signal is not generated, nor is the output of the TOQnk pin changed.

Remark k = 1 to 3,
n = 0 to 2

Figure 8-8. Timing Chart When $D_{01} < D_{k1}$



8.5.2 External event count mode (TQnMD2 to TQnMD0 bits = 001)

In the external event count mode, the valid edge of the external event count input is counted when the TQnCTL0.TQnCE bit is set to 1, and an interrupt request signal (INTTQnCC0) is generated each time the specified number of edges have been counted. The TOQn0 pin cannot be used.

Usually, the TQnCCR1 to TQnCCR3 registers are not used in the external event count mode.

Figure 8-9. Configuration in External Event Count Mode

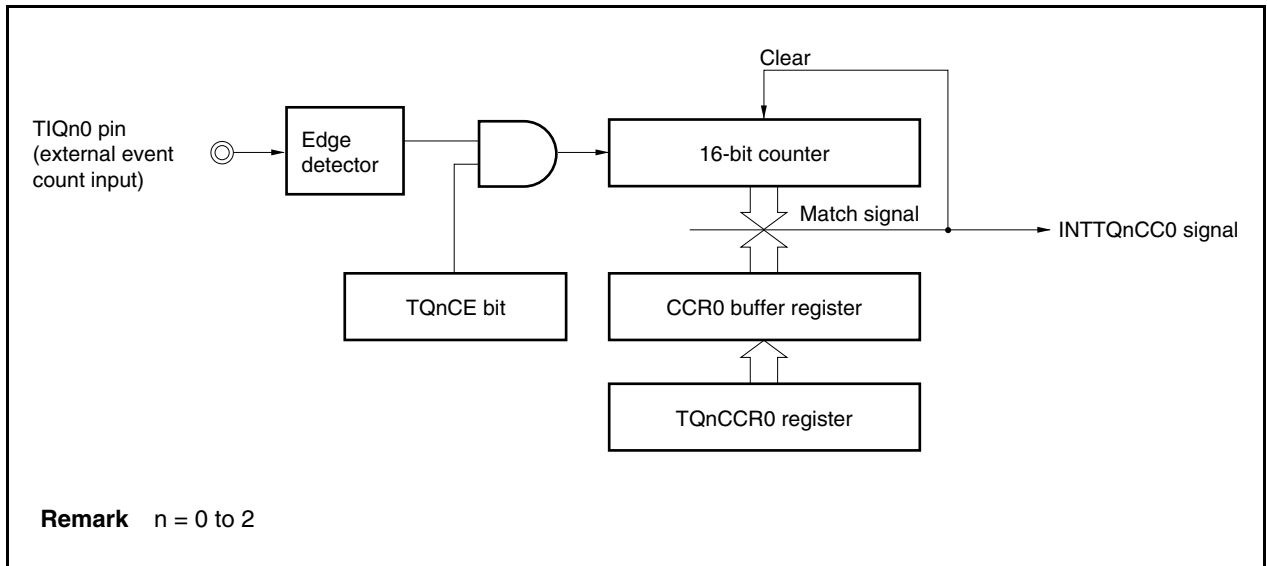
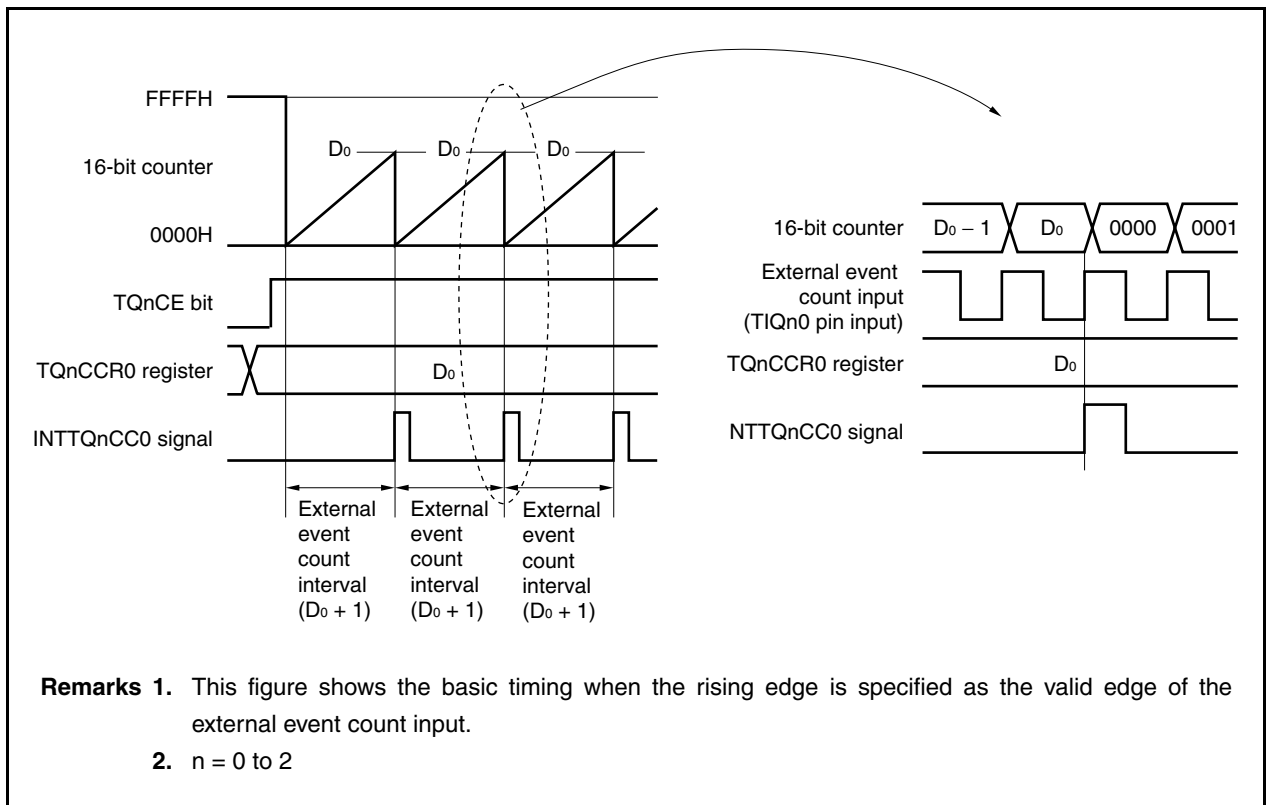


Figure 8-10. Basic Timing in External Event Count Mode



When the TQnCE bit is set to 1, the value of the 16-bit counter is cleared from FFFFH to 0000H. The counter counts each time the valid edge of external event count input is detected. Additionally, the set value of the TQnCCR0 register is transferred to the CCR0 buffer register.

When the count value of the 16-bit counter matches the value of the CCR0 buffer register, the 16-bit counter is cleared to 0000H, and a compare match interrupt request signal (INTTQnCC0) is generated.

The INTTQnCC0 signal is generated each time the valid edge of the external event count input has been detected (set value of TQnCCR0 register + 1) times.

Figure 8-11. Register Setting for Operation in External Event Count Mode (1/2)

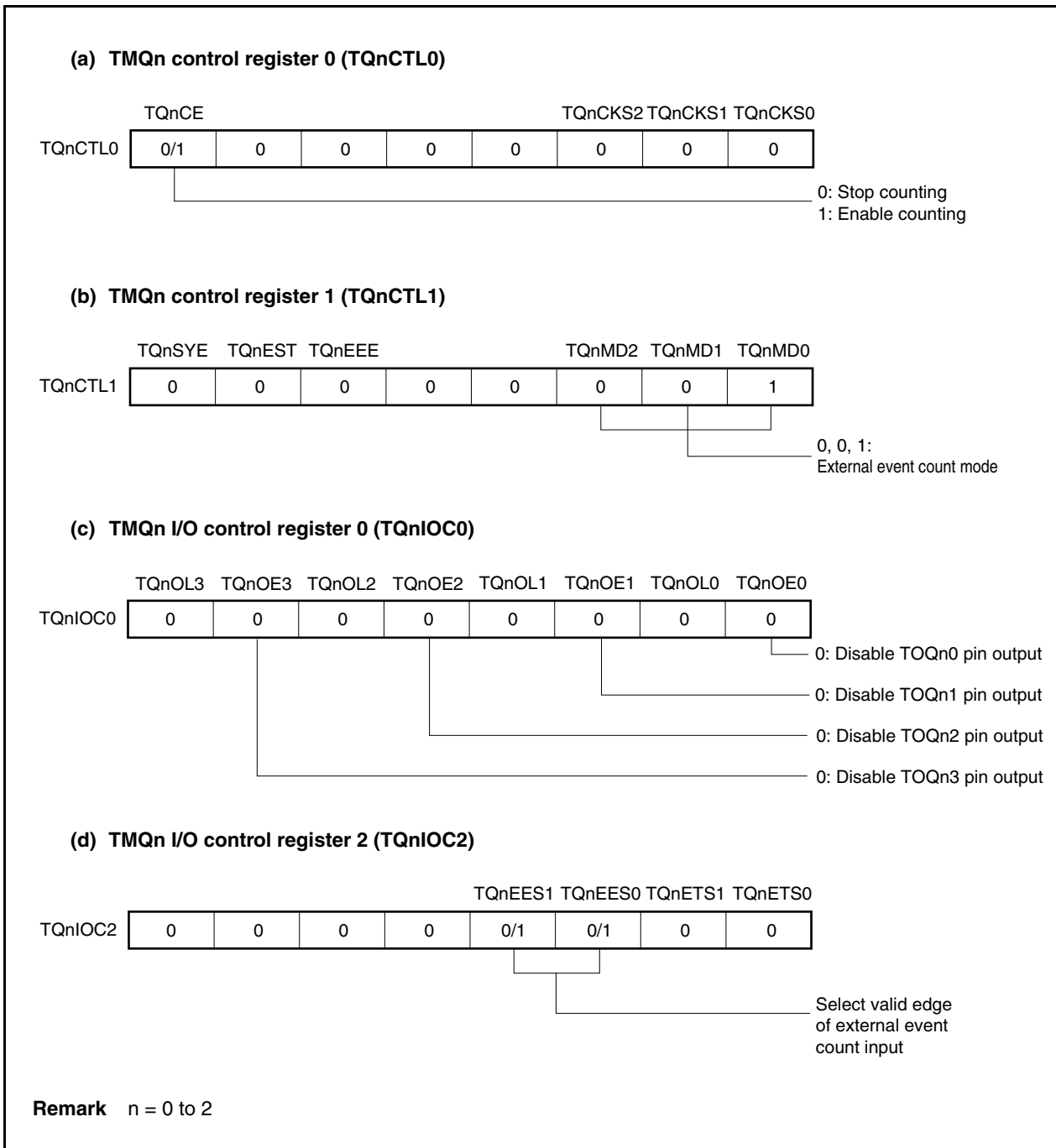


Figure 8-11. Register Setting for Operation in External Event Count Mode (2/2)

(e) TMQn counter read buffer register (TQnCNT)

The count value of the 16-bit counter can be read by reading the TQnCNT register.

(f) TMQn capture/compare register 0 (TQnCCR0)

If D_0 is set to the TQnCCR0 register, the counter is cleared and a compare match interrupt request signal (INTTQnCC0) is generated when the number of external event counts reaches $(D_0 + 1)$.

(g) TMQn capture/compare registers 1 to 3 (TQnCCR1 to TQnCCR3)

Usually, the TQnCCR1 to TQnCCR3 registers are not used in the external event count mode. However, the set value of the TQnCCR1 to TQnCCR3 registers are transferred to the CCR1 to CCR3 buffer registers. When the count value of the 16-bit counter matches the value of the CCR1 to CCR3 buffer registers, compare match interrupt request signals (INTTQnCC1 to INTTQnCC3) are generated. Therefore, mask the interrupt signal by using the interrupt mask flags (TQnCCMK1 to TQnCCMK3).

Caution When an external clock is used as the count clock, the external clock can be input only from the TIQn0 pin. At this time, set the TQnIOC1.TQnIS1 and TQnIOC1.TQnIS0 bits to 00 (capture trigger input (TIQn0 pin): no edge detection).

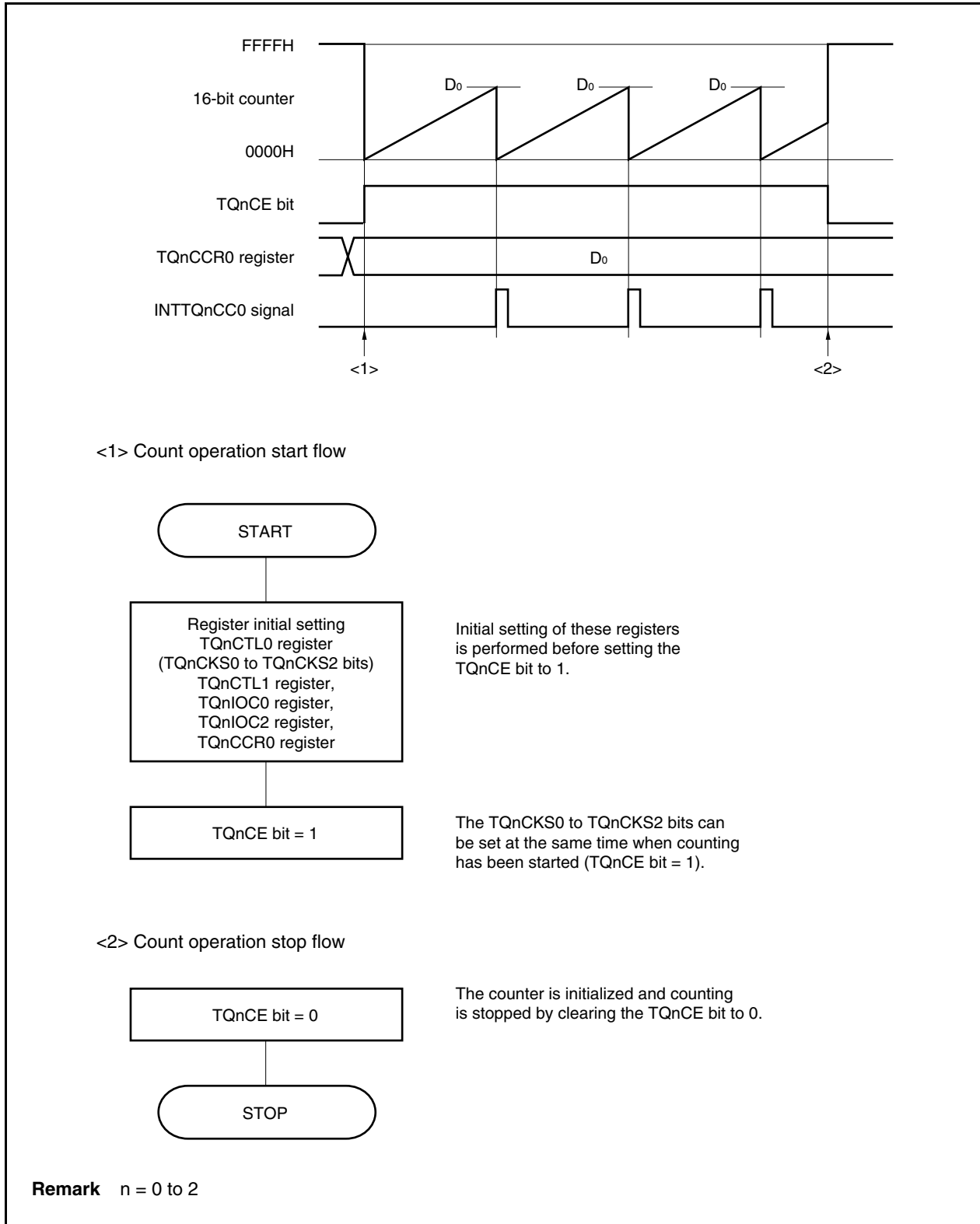
Remarks 1. The TMQn I/O control register 1 (TQnIOC1) and TMQn option register 0 (TQnOPT0) are not used in the external event count mode.

2. $n = 0$ to 2

<R>

(1) External event count mode operation flow

Figure 8-12. Flow of Software Processing in External Event Count Mode



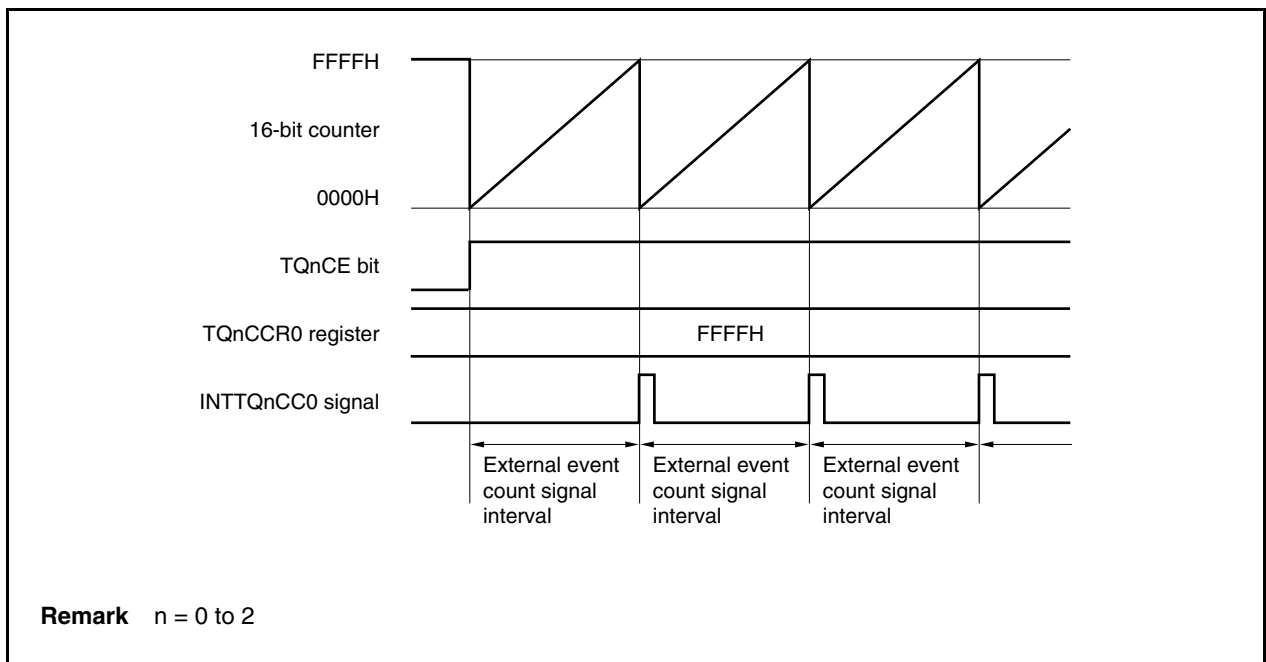
(2) Operation timing in external event count mode

Cautions 1. In the external event count mode, do not set the TQnCCR0 register to 0000H.

2. In the external event count mode, use of the timer output is disabled. If performing timer output using external event count input, set the interval timer mode, and select the operation enabled by the external event count input for the count clock (TQnCTL1.TQnMD2 to TQnCTL1.TQnMD0 bits = 000, TQnCTL1.TQnEEE bit = 1).

(a) Operation if TQnCCR0 register is set to FFFFH

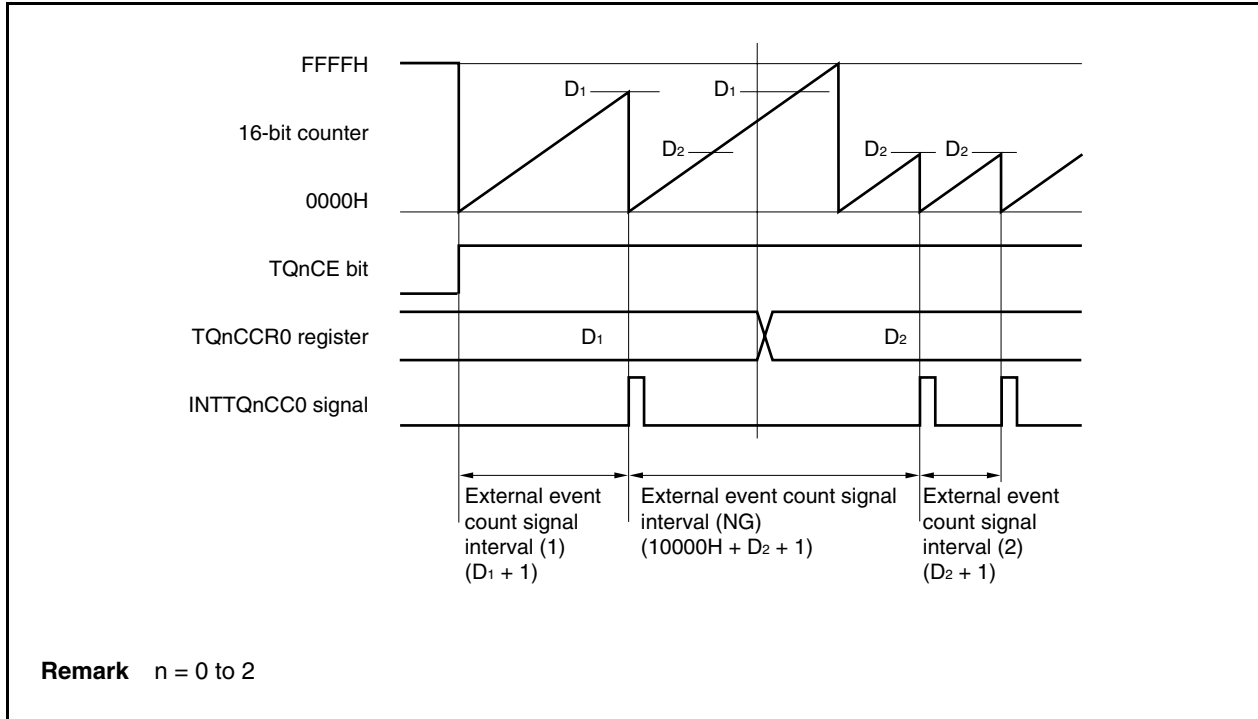
If the TQnCCR0 register is set to FFFFH, the 16-bit counter counts to FFFFH each time the valid edge of the external event count signal has been detected. The 16-bit counter is cleared to 0000H in synchronization with the next count-up timing, and the INTTQnCC0 signal is generated. At this time, the TQnOPT0.TQnOVF bit is not set.



(b) Notes on rewriting the TQnCCR0 register

To change the value of the TQnCCR0 register to a smaller value, stop counting once and then change the set value.

If the value of the TQnCCR0 register is rewritten to a smaller value during counting, the 16-bit counter may overflow.



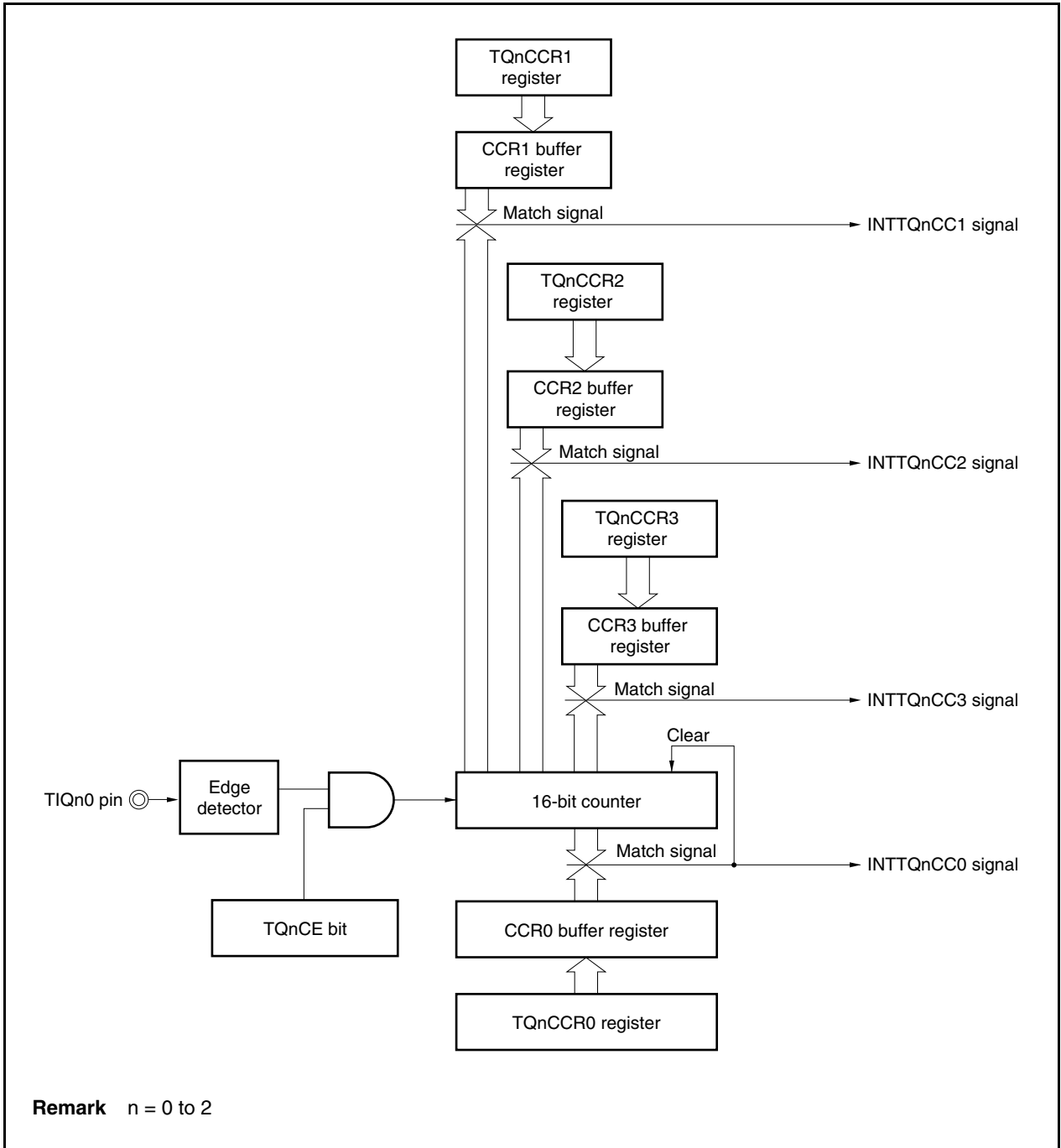
If the value of the TQnCCR0 register is changed from D₁ to D₂ while the count value is greater than D₂ but less than D₁, the count value is transferred to the CCR0 buffer register as soon as the TQnCCR0 register has been rewritten. Consequently, the value that is compared with the 16-bit counter is D₂.

Because the count value has already exceeded D₂, however, the 16-bit counter counts up to FFFFH, overflows, and then counts up again from 0000H. When the count value matches D₂, the INTTQnCC0 signal is generated.

Therefore, the INTTQnCC0 signal may not be generated at the valid edge count of “(D₁ + 1) times” or “(D₂ + 1) times” originally expected, but may be generated at the valid edge count of “(10000H + D₂ + 1) times”.

(c) Operation of TQnCCR1 to TQnCCR3 registers

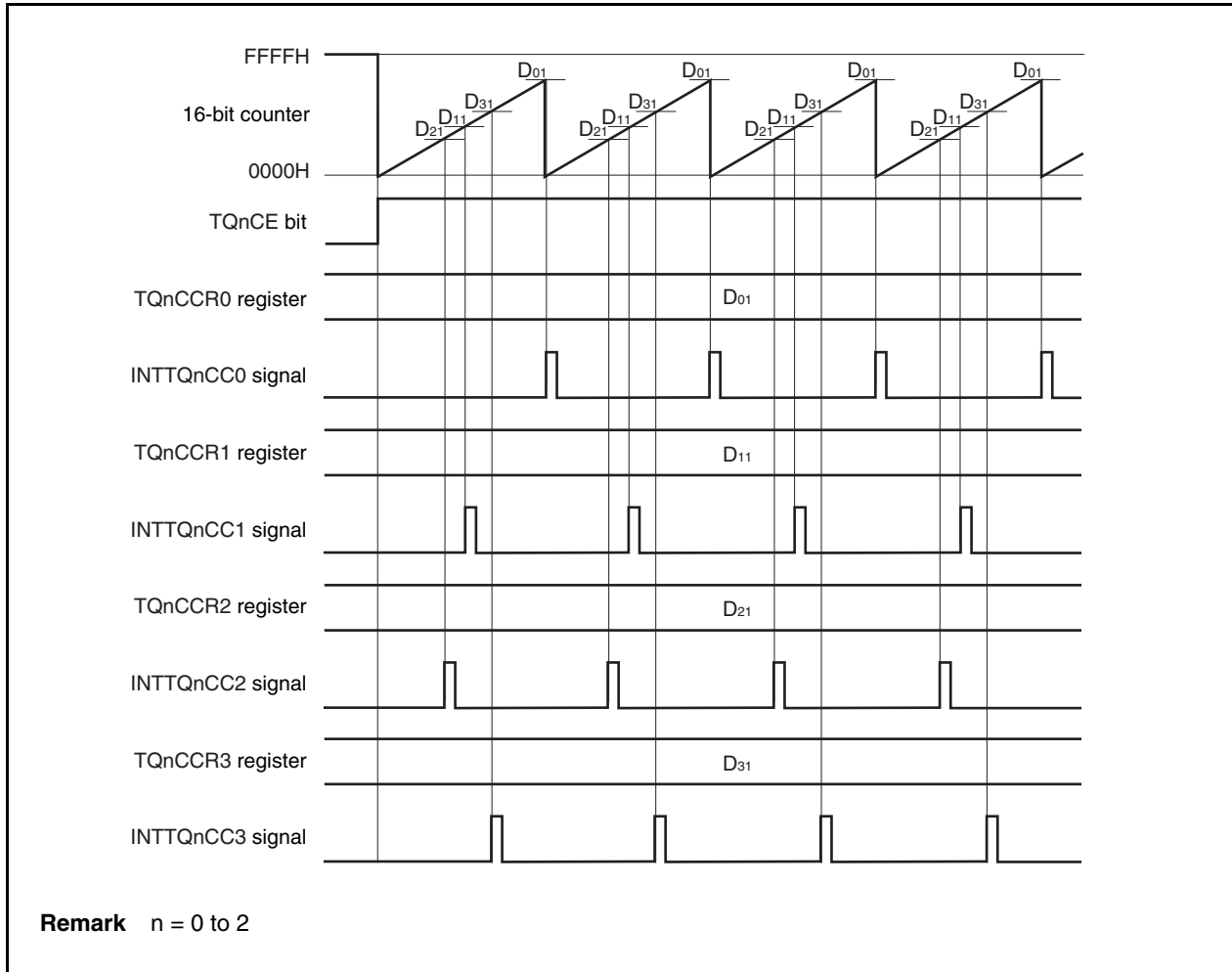
Figure 8-13. Configuration of TQnCCR1 to TQnCCR3 Registers



If the set value of the TQnCCRk register is smaller than the set value of the TQnCCR0 register, the INTTQnCCk signal is generated once per cycle.

Remark k = 1 to 3,
n = 0 to 2

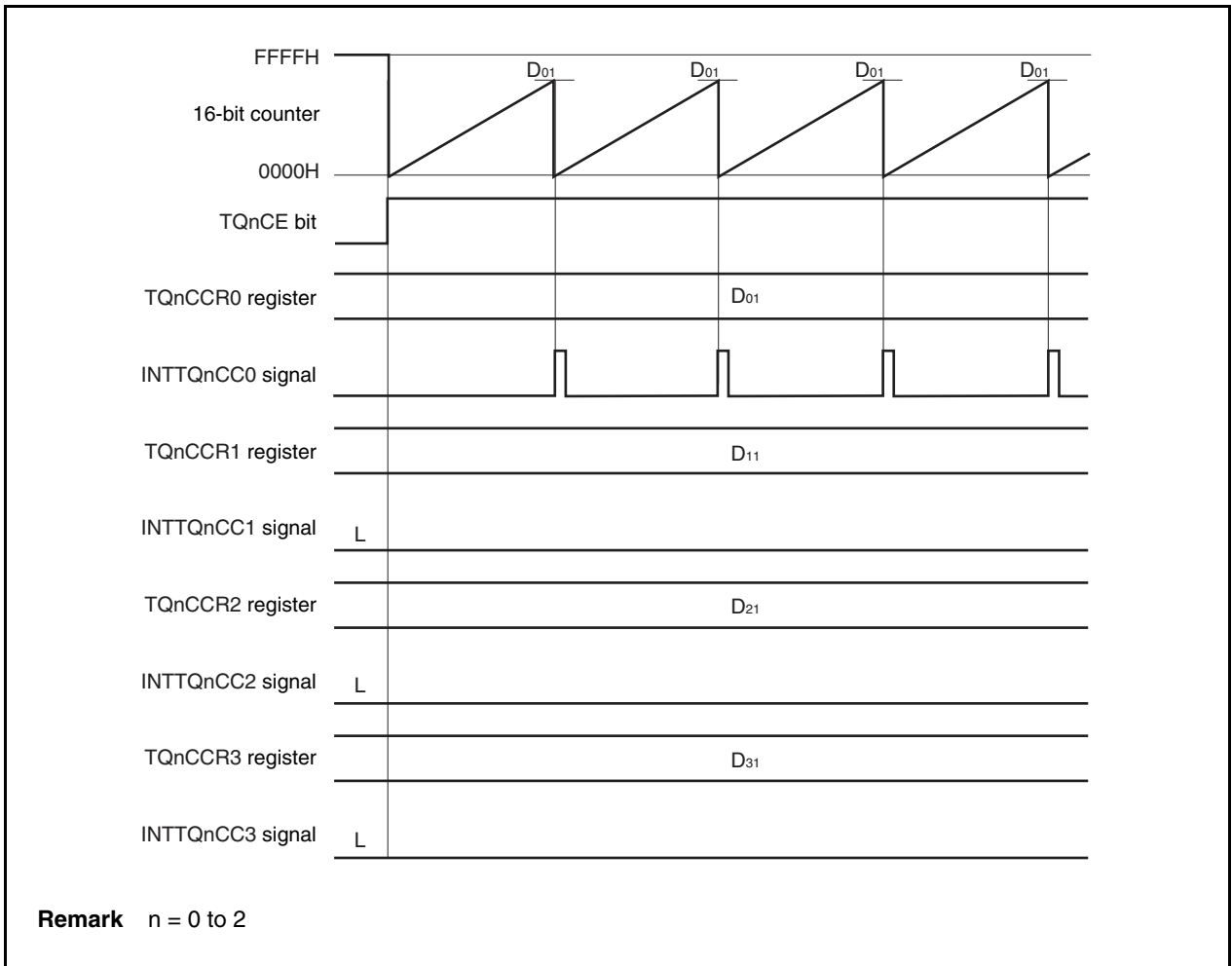
Figure 8-14. Timing Chart When $D_{01} \geq D_{k1}$



If the set value of the TQnCCRk register is greater than the set value of the TQnCCR0 register, the INTTQnCCk signal is not generated because the count value of the 16-bit counter and the value of the TQnCCRk register do not match.

Remark k = 1 to 3,
n = 0 to 2

Figure 8-15. Timing Chart When $D_{01} < D_{k1}$



Remark n = 0 to 2

8.5.3 External trigger pulse output mode (TQnMD2 to TQnMD0 bits = 010)

In the external trigger pulse output mode, 16-bit timer/event counter Q waits for a trigger when the TQnCTL0.TQnCE bit is set to 1. When the valid edge of an external trigger input signal is detected, 16-bit timer/event counter Q starts counting, and outputs a PWM waveform from the TOQn1 to TOQn3 pins.

Pulses can also be output by generating a software trigger instead of using the external trigger. When using a software trigger, a square wave that has one cycle of the PWM waveform as half its cycle can also be output from the TOQn0 pin.

Figure 8-16. Configuration in External Trigger Pulse Output Mode

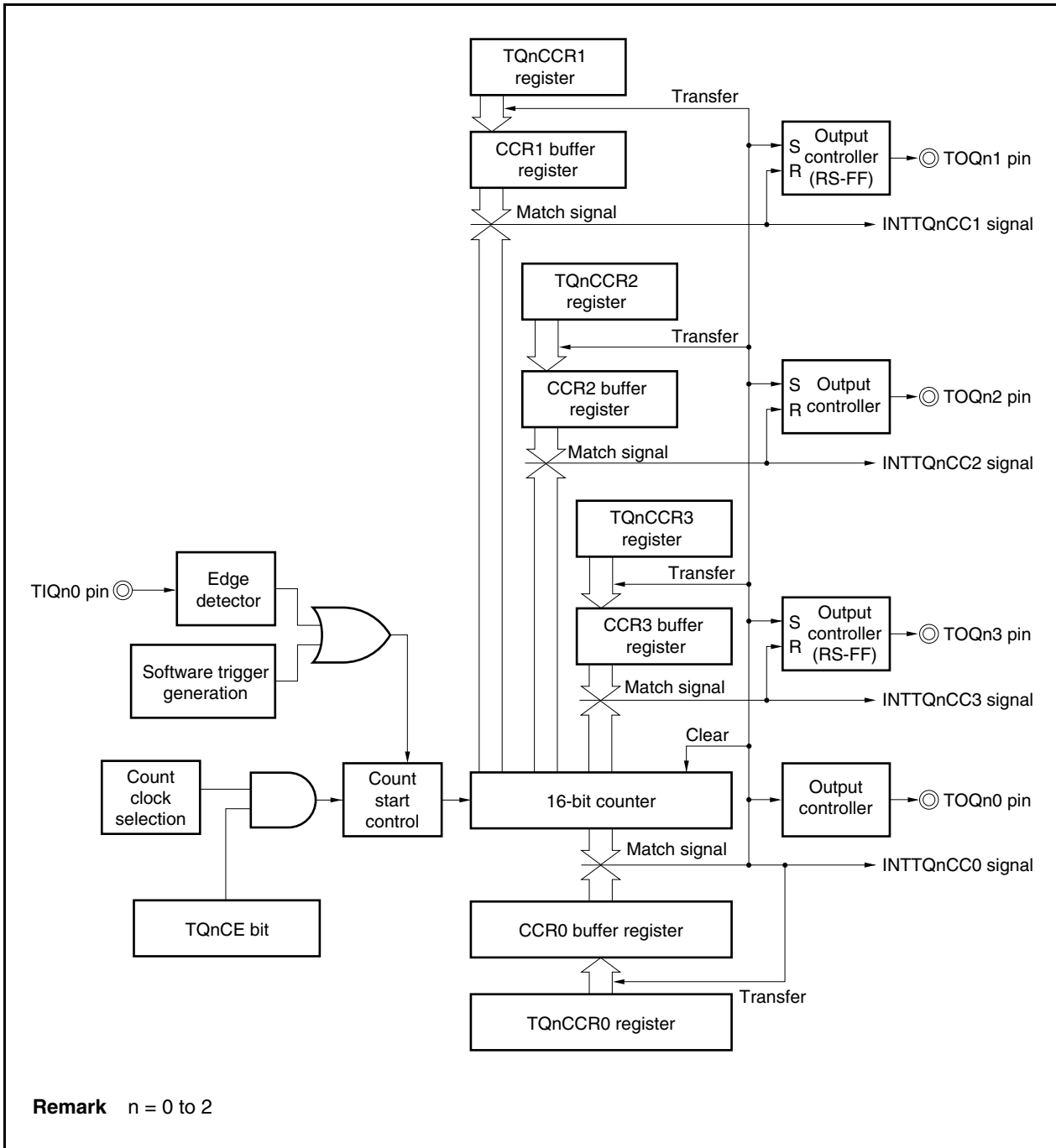
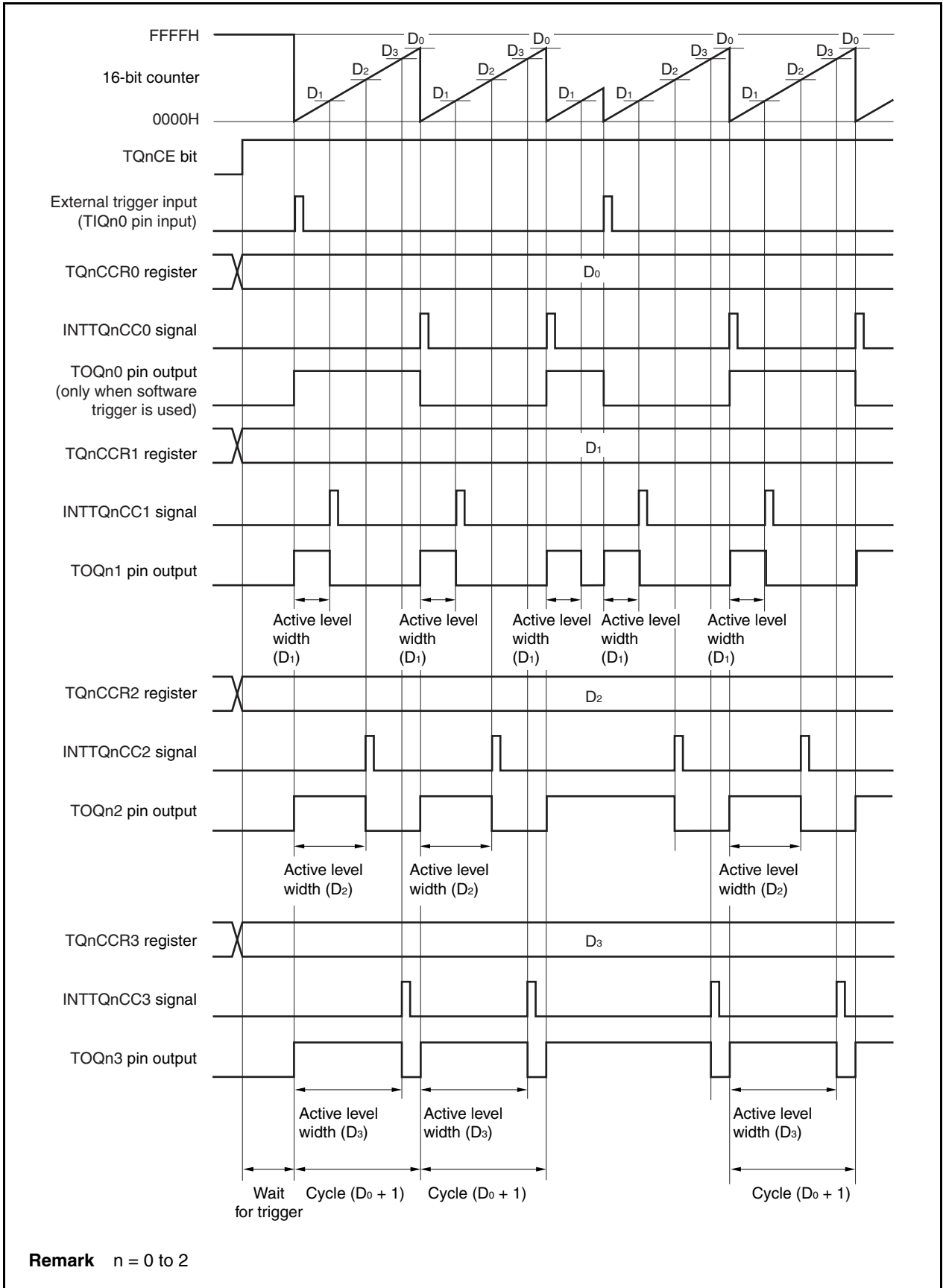


Figure 8-17. Basic Timing in External Trigger Pulse Output Mode



16-bit timer/event counter Q waits for a trigger when the TQnCE bit is set to 1. When the trigger is generated, the 16-bit counter is cleared from FFFFH to 0000H, starts counting at the same time, and outputs a PWM waveform from the TOQnk pin. If the trigger is generated again while the counter is operating, the counter is cleared to 0000H and restarted. (The output of the TOQn0 pin is inverted. The TOQnk pin outputs a high-level regardless of the status (high/low) when a trigger is generated.)

The active level width, cycle, and duty factor of the PWM waveform can be calculated as follows.

$$\text{Active level width} = (\text{Set value of TQnCCRk register}) \times \text{Count clock cycle}$$

$$\text{Cycle} = (\text{Set value of TQnCCR0 register} + 1) \times \text{Count clock cycle}$$

$$\text{Duty factor} = (\text{Set value of TQnCCRk register}) / (\text{Set value of TQnCCR0 register} + 1)$$

The compare match request signal (INTTQnCC0) is generated when the 16-bit counter counts next time after its count value matches the value of the CCR0 buffer register, and the 16-bit counter is cleared to 0000H. The compare match interrupt request signal (INTTQnCCk) is generated when the count value of the 16-bit counter matches the value of the CCRk buffer register.

The value set to the TQnCCRm register is transferred to the CCRm buffer register when the count value of the 16-bit counter matches the value of the CCR0 buffer register and the 16-bit counter is cleared to 0000H.

The valid edge of an external trigger input signal, or setting the software trigger (TQnCTL1.TQnEST bit) to 1 is used as the trigger.

Remark k = 1 to 3,
m = 0 to 3,
n = 0 to 2

Figure 8-18. Setting of Registers in External Trigger Pulse Output Mode (1/3)

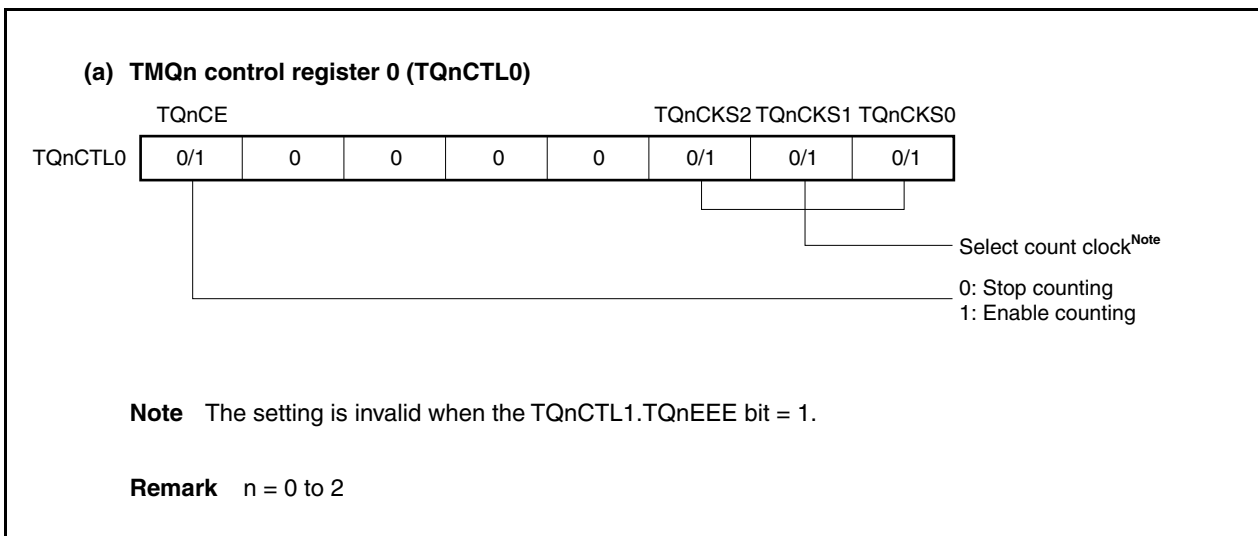


Figure 8-18. Setting of Registers in External Trigger Pulse Output Mode (2/3)

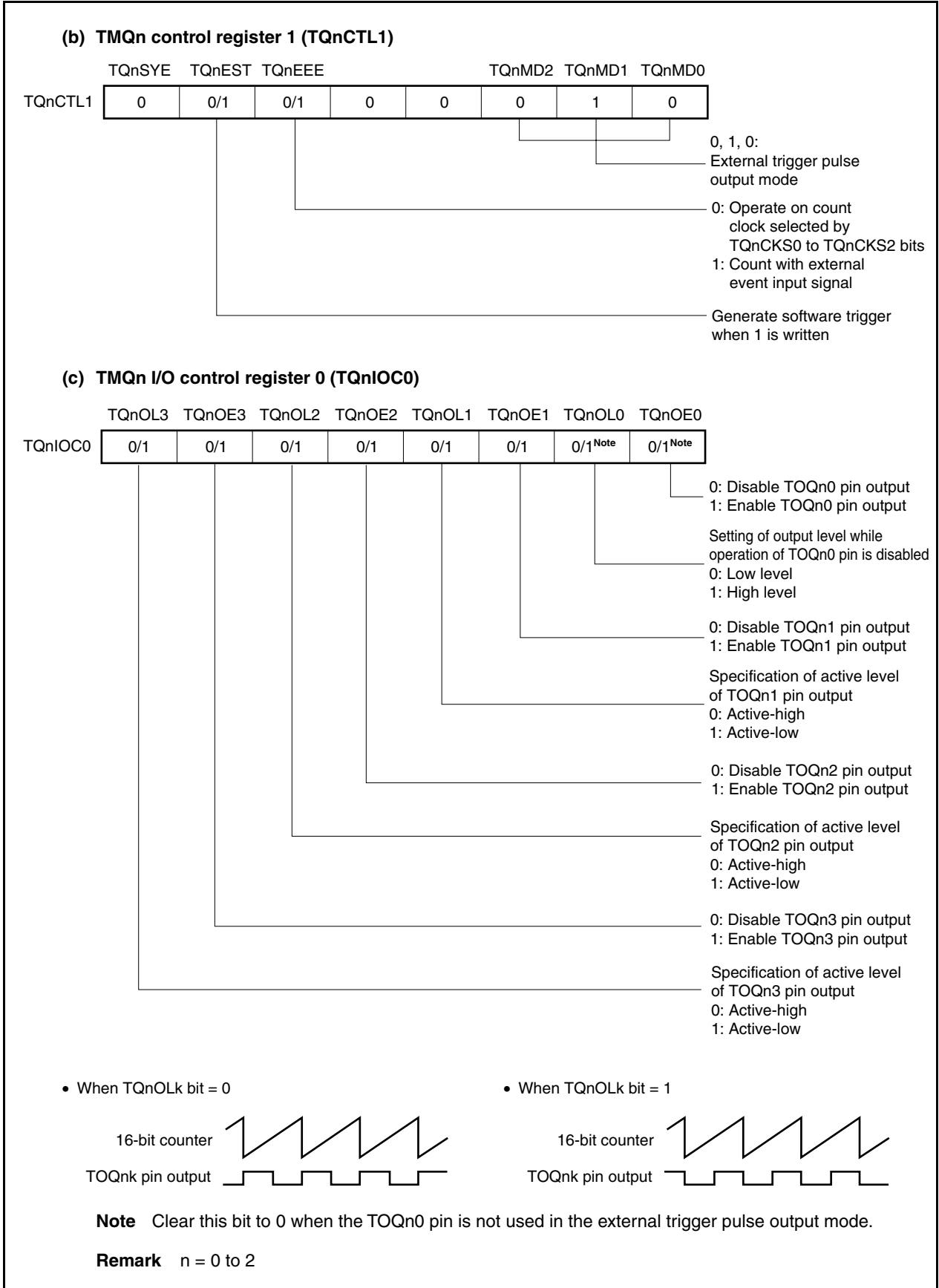
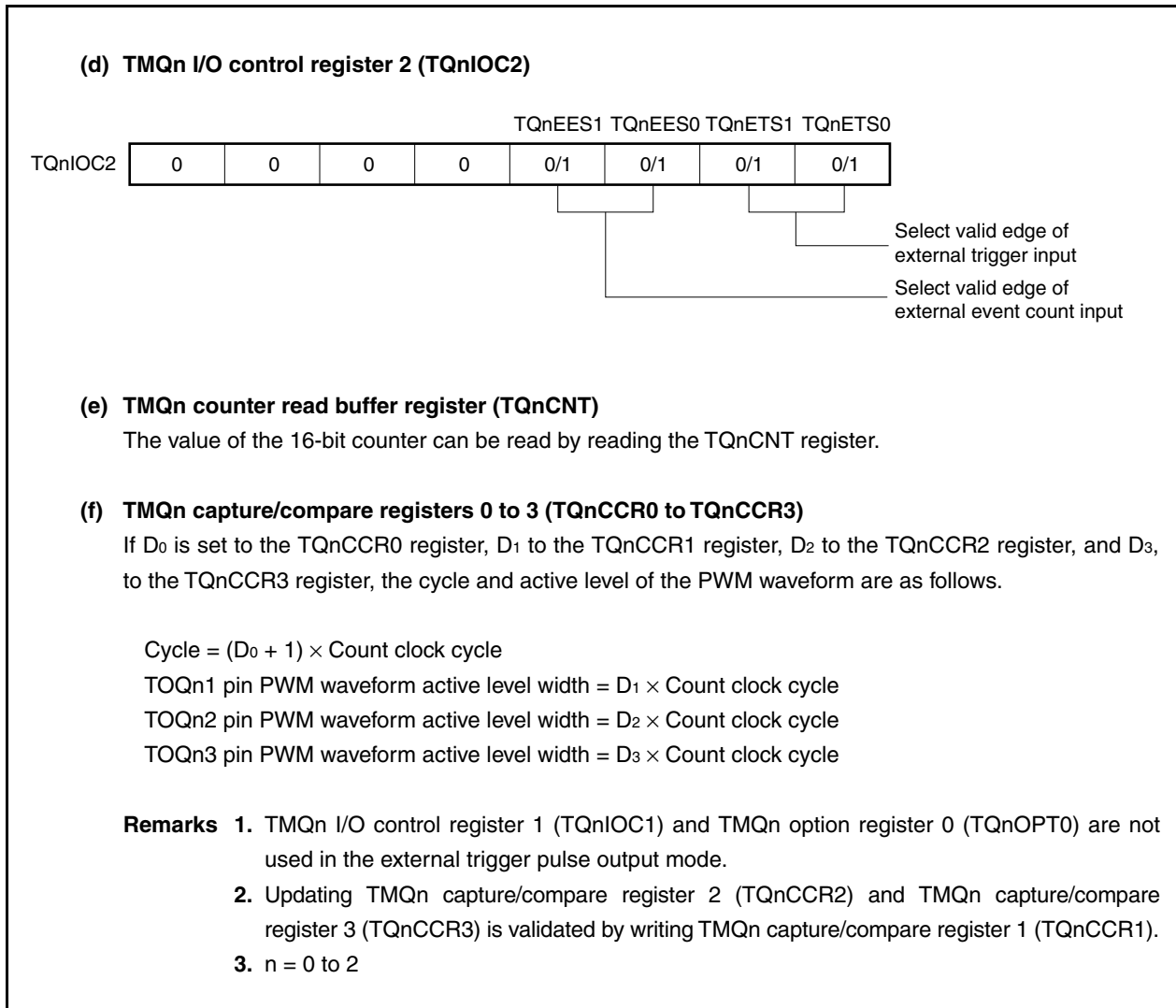


Figure 8-18. Setting of Registers in External Trigger Pulse Output Mode (3/3)



(1) Operation flow in external trigger pulse output mode

Figure 8-19. Software Processing Flow in External Trigger Pulse Output Mode (1/2)

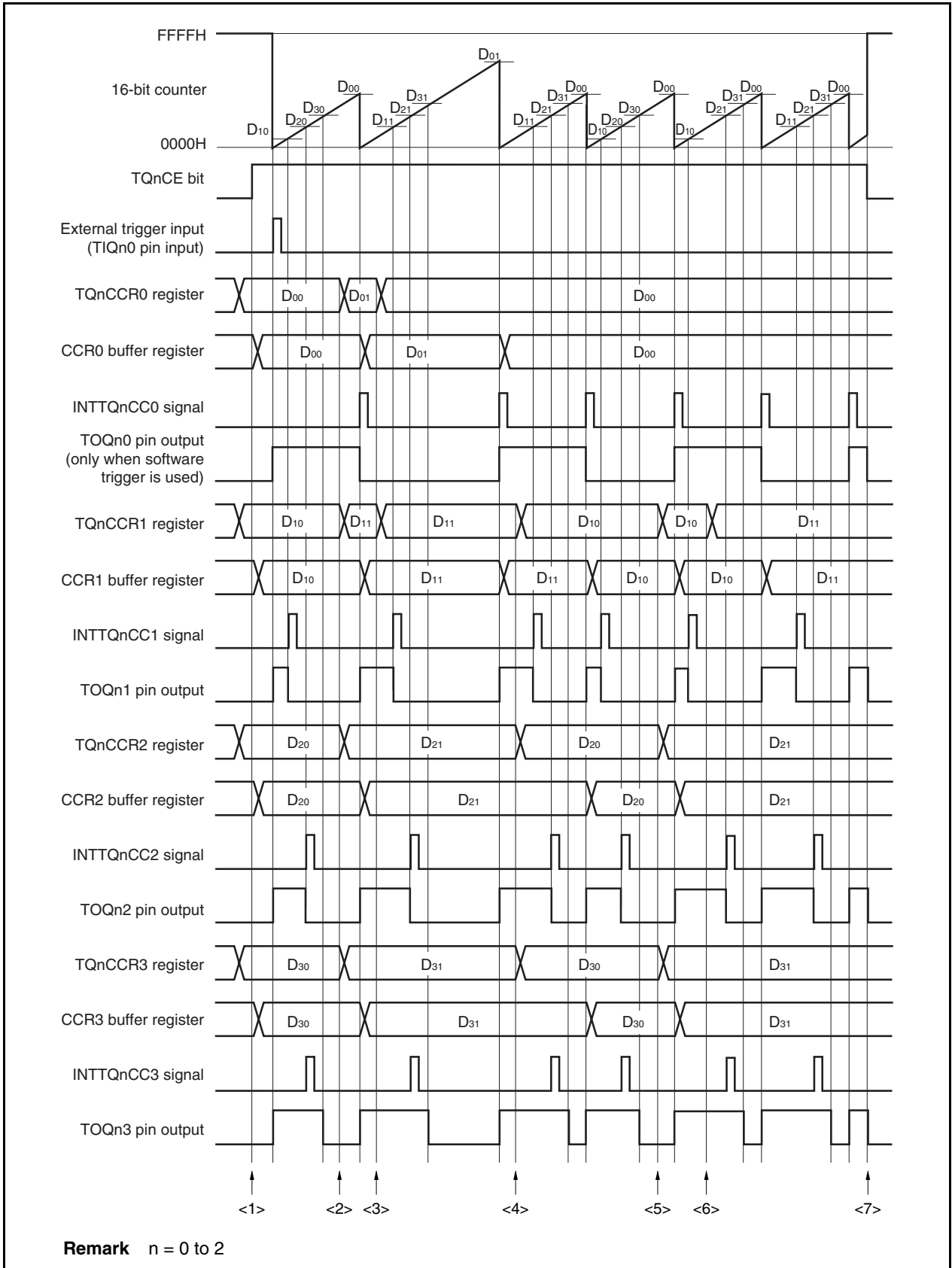
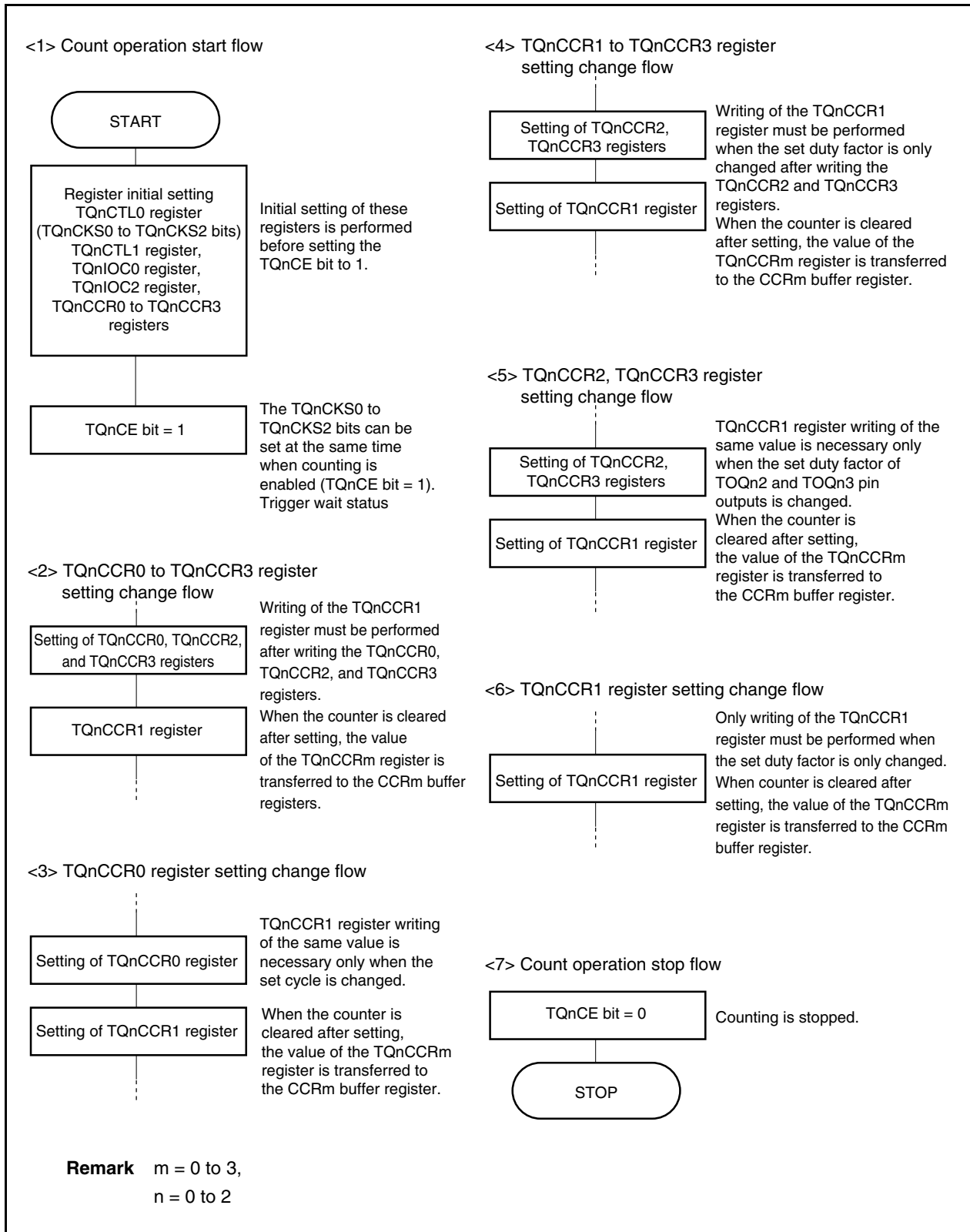


Figure 8-19. Software Processing Flow in External Trigger Pulse Output Mode (2/2)

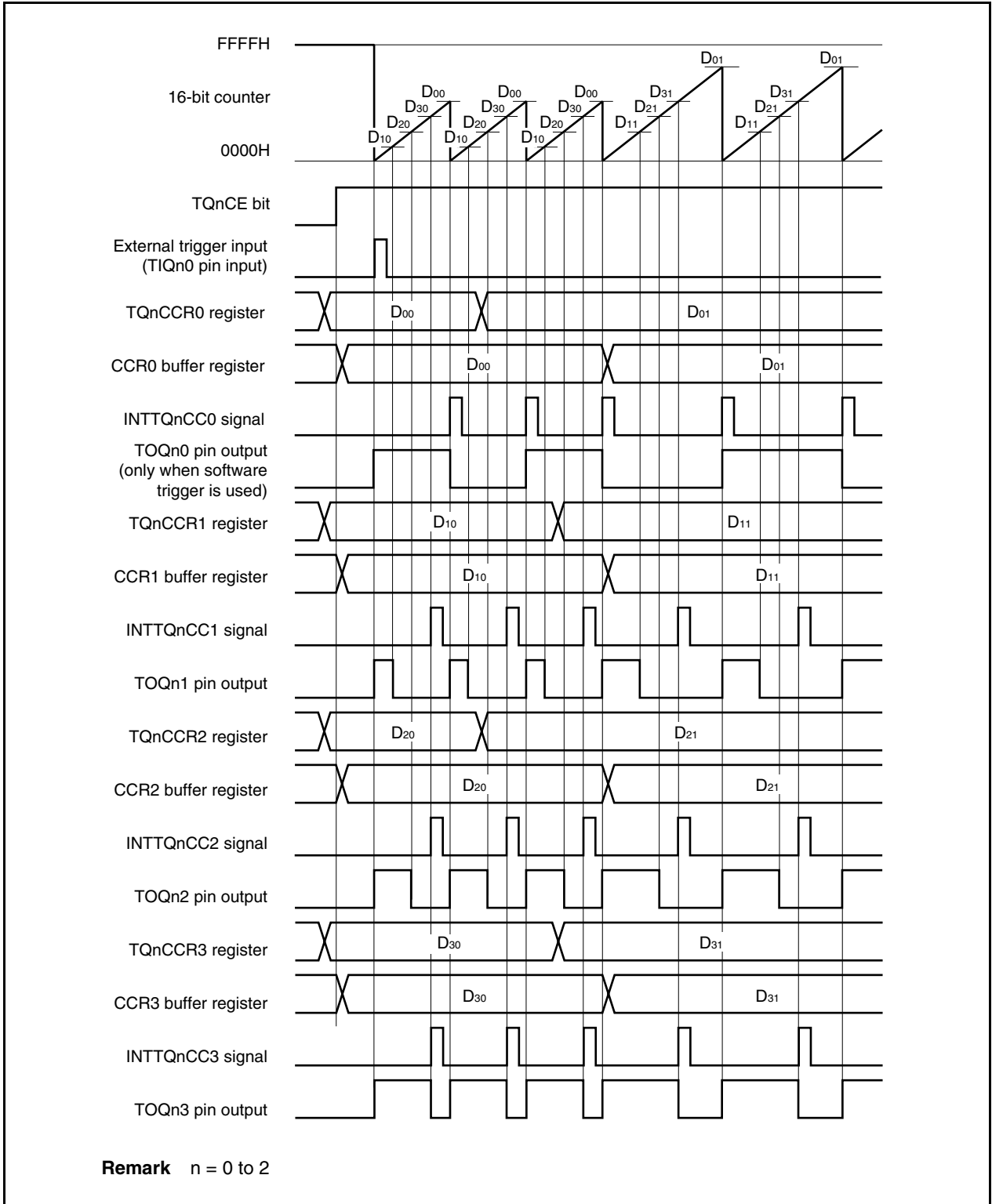


(2) External trigger pulse output mode operation timing

(a) Note on changing pulse width during operation

To change the PWM waveform while the counter is operating, write the TQnCCR1 register last.

Rewrite the TQnCCRk register after writing the TQnCCR1 register after the INTTQnCC0 signal is detected.



In order to transfer data from the TQnCCRm register to the CCRm buffer register, the TQnCCR1 register must be written.

To change both the cycle and active level width of the PWM waveform at this time, first set the cycle to the TQnCCR0 register, set the active level width to the TQnCCR2 and TQnCCR3 registers, and then set an active level to the TQnCCR1 register.

To change only the cycle of the PWM waveform, first set the cycle to the TQnCCR0 register, and then write the same value to the TQnCCR1 register.

To change only the active level width (duty factor) of the PWM waveform, first set an active level to the TQnCCR2 and TQnCCR3 registers and then set an active level to the TQnCCR1 register.

To change only the active level width (duty factor) of the PWM waveform output by the TOQn1 pin, only the TQnCCR1 register has to be set.

To change only the active level width (duty factor) of the PWM waveform output by the TOQn2 and TOQn3 pins, first set an active level width to the TQnCCR2 and TQnCCR3 registers, and then write the same value to the TQnCCR1 register.

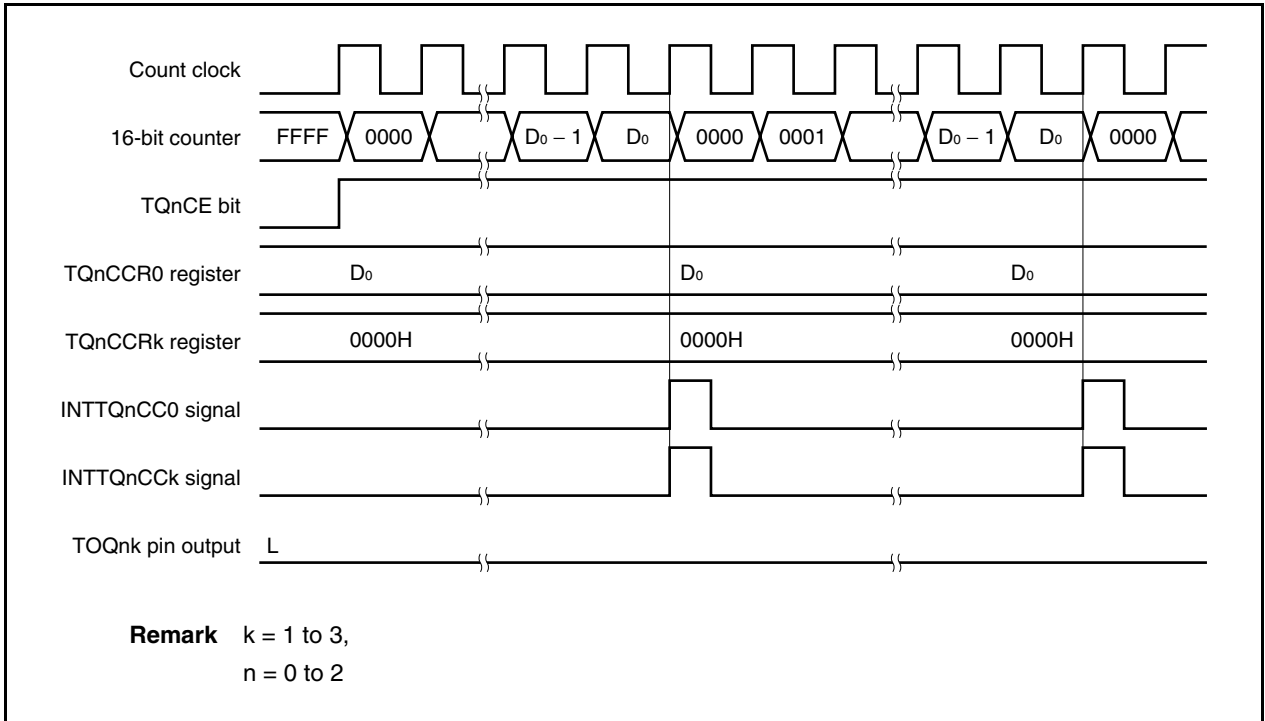
After data is written to the TQnCCR1 register, the value written to the TQnCCRm register is transferred to the CCRm buffer register in synchronization with clearing of the 16-bit counter, and is used as the value compared with the 16-bit counter.

To write the TQnCCR0 to TQnCCR3 registers again after writing the TQnCCR1 register once, do so after the INTTQnCC0 signal is generated. Otherwise, the value of the CCRm buffer register may become undefined because timing of transferring data from the TQnCCRm register to the CCRm buffer register conflicts with writing the TQnCCRm register.

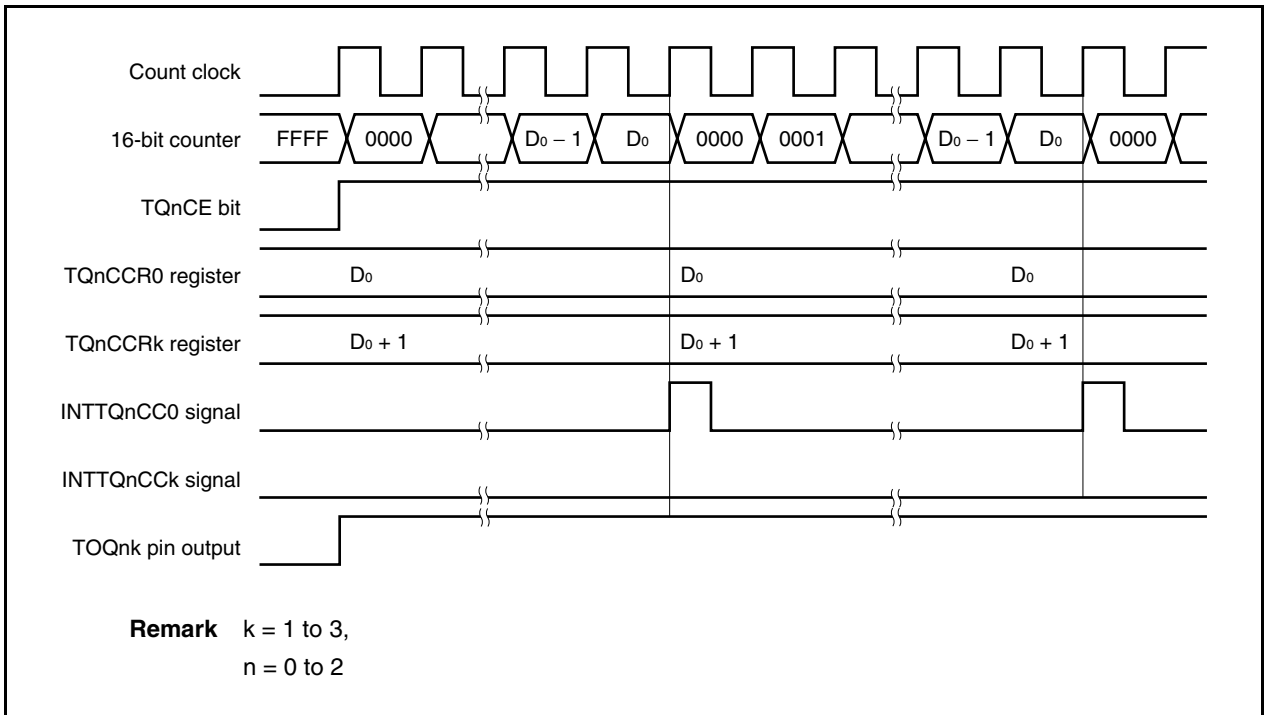
Remark m = 0 to 3,
n = 0 to 2

(b) 0%/100% output of PWM waveform

To output a 0% waveform, set the TQnCCRk register to 0000H. If the set value of the TQnCCR0 register is FFFFH, the INTTQnCCK signal is generated periodically.

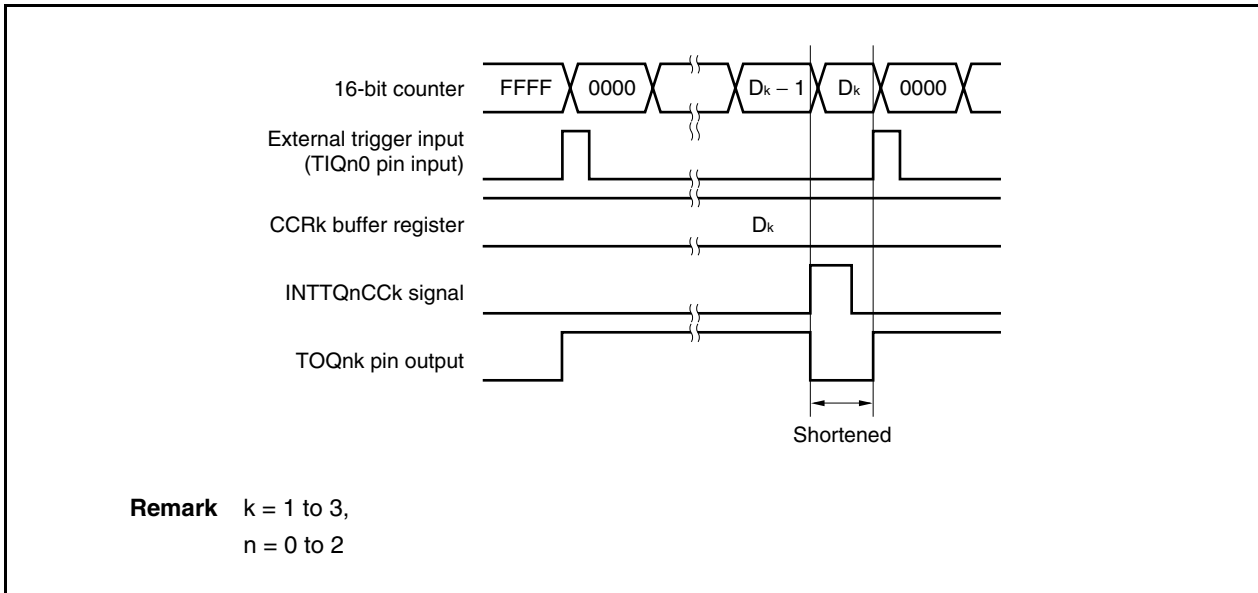


To output a 100% waveform, set a value of (set value of TQnCCR0 register + 1) to the TQnCCRk register. If the set value of the TQnCCR0 register is FFFFH, 100% output cannot be produced.

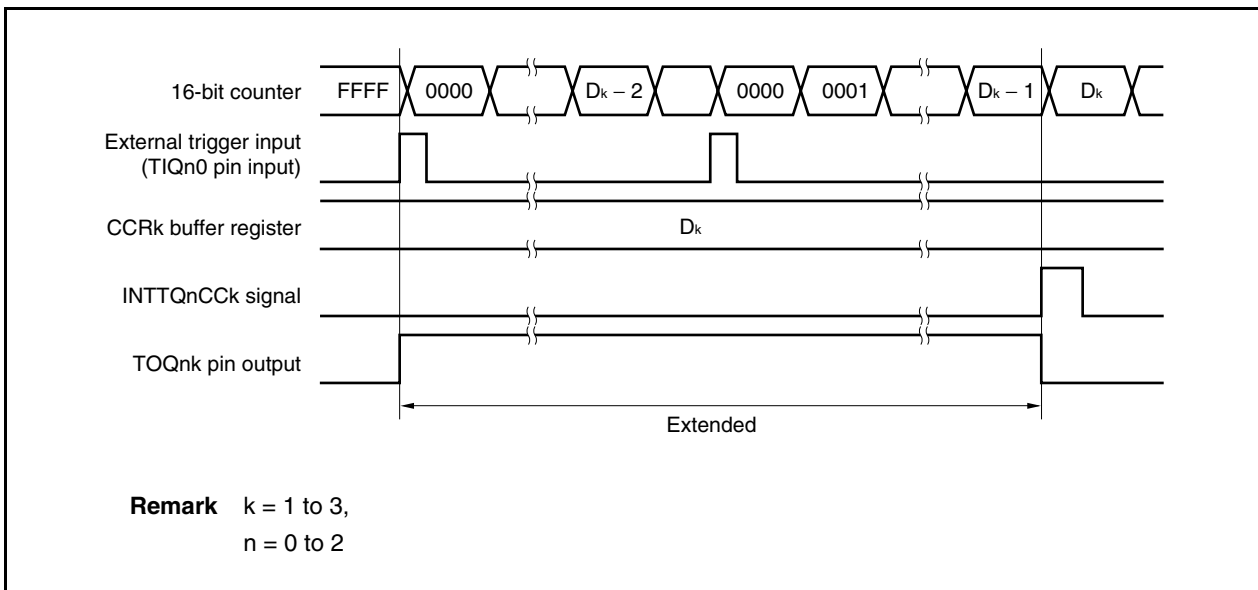


(c) Conflict between trigger detection and match with CCR_k buffer register

If the trigger is detected immediately after the INTTQnCC_k signal is generated, the 16-bit counter is immediately cleared to 0000H, the output signal of the TOQn_k is asserted, and the counter continues counting. Consequently, the inactive period of the PWM waveform is shortened.

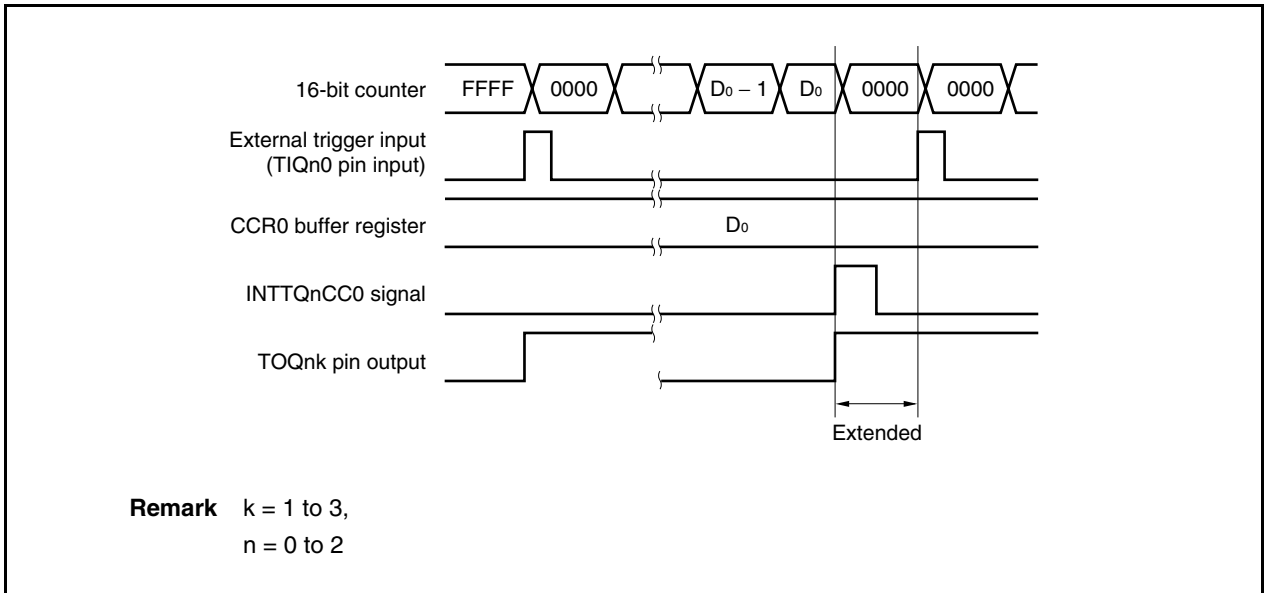


If the trigger is detected immediately before the INTTQnCC_k signal is generated, the INTTQnCC_k signal is not generated, and the 16-bit counter is cleared to 0000H and continues counting. The output signal of the TOQn_k pin remains active. Consequently, the active period of the PWM waveform is extended.

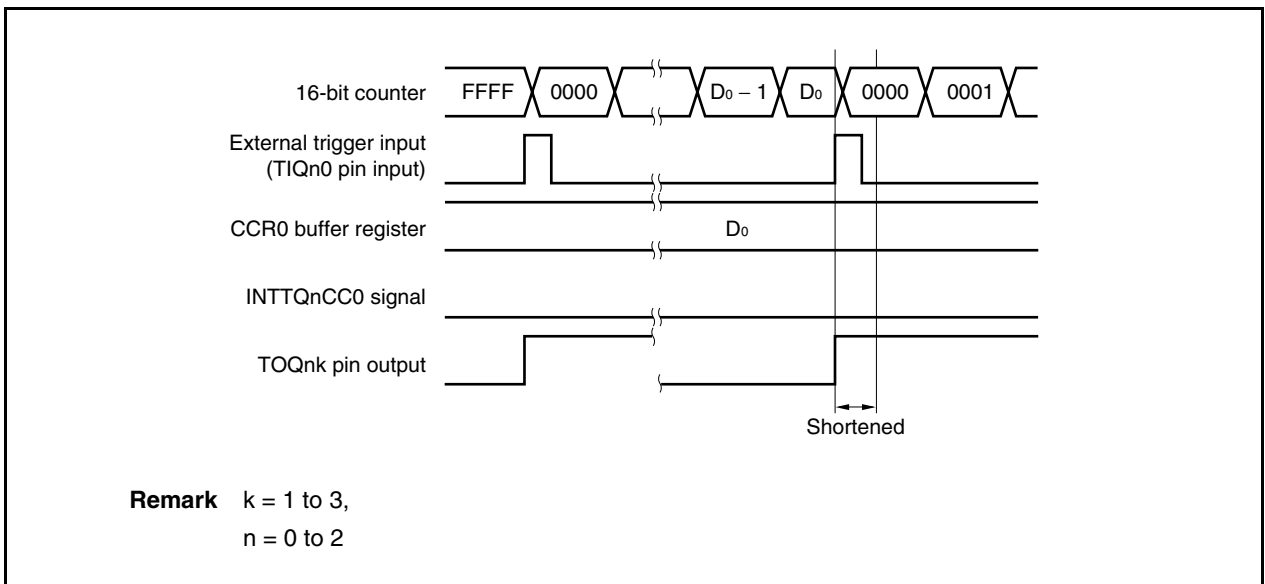


(d) Conflict between trigger detection and match with CCR0 buffer register

If the trigger is detected immediately after the INTTQnCC0 signal is generated, the 16-bit counter is cleared to 0000H and continues counting up. Therefore, the active period of the TOQnk pin is extended by time from generation of the INTTQnCC0 signal to trigger detection.

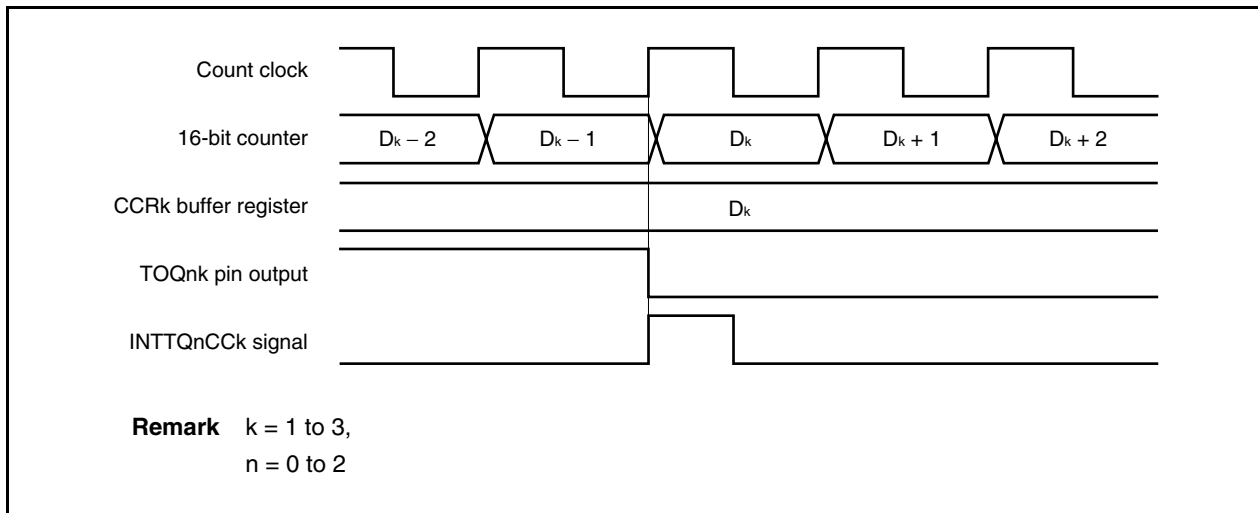


If the trigger is detected immediately before the INTTQnCC0 signal is generated, the INTTQnCC0 signal is not generated. The 16-bit counter is cleared to 0000H, the TOQnk pin is asserted, and the counter continues counting. Consequently, the inactive period of the PWM waveform is shortened.



(e) Generation timing of compare match interrupt request signal (INTTQnCCK)

The timing of generation of the INTTQnCCK signal in the external trigger pulse output mode differs from the timing of other INTTQnCCK signals; the INTTQnCCK signal is generated when the count value of the 16-bit counter matches the value of the CCRk buffer register.



Usually, the INTTQnCCK signal is generated in synchronization with the next count up after the count value of the 16-bit counter matches the value of the CCRk buffer register.

In the external trigger pulse output mode, however, it is generated one clock earlier. This is because the timing is changed to match the timing of changing the output signal of the TOQnk pin.

8.5.4 One-shot pulse output mode (TQnMD2 to TQnMD0 bits = 011)

In the one-shot pulse output mode, 16-bit timer/event counter Q waits for a trigger when the TQnCTL0.TQnCE bit is set to 1. When the valid edge of an external trigger input is detected, 16-bit timer/event counter Q starts counting, and outputs a one-shot pulse from the TOQn1 to TOQn3 pins.

Instead of the external trigger, a software trigger can also be generated to output the pulse. When the software trigger is used, the TOQn0 pin outputs the active level while the 16-bit counter is counting, and the inactive level when the counter is stopped (waiting for a trigger).

Figure 8-20. Configuration in One-Shot Pulse Output Mode

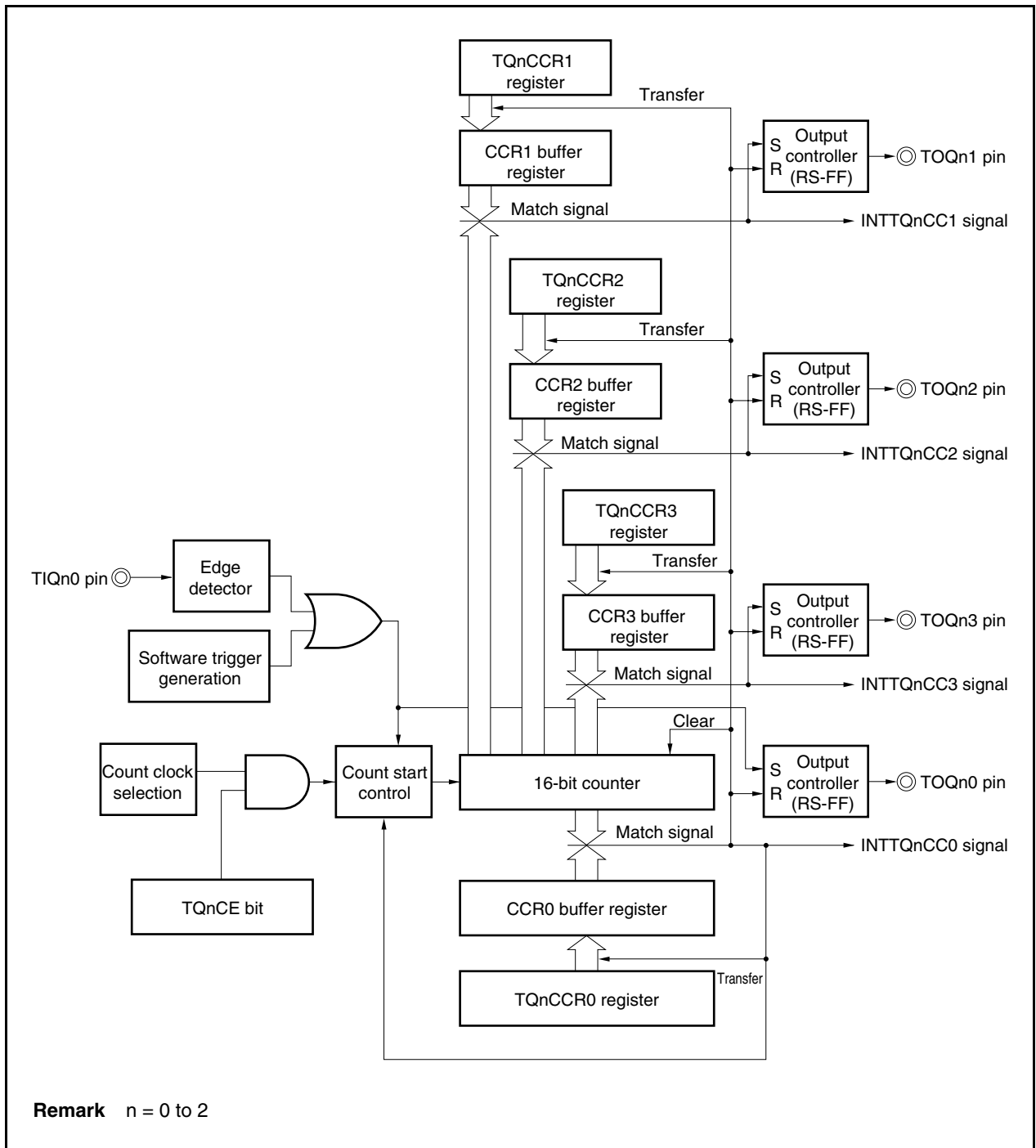
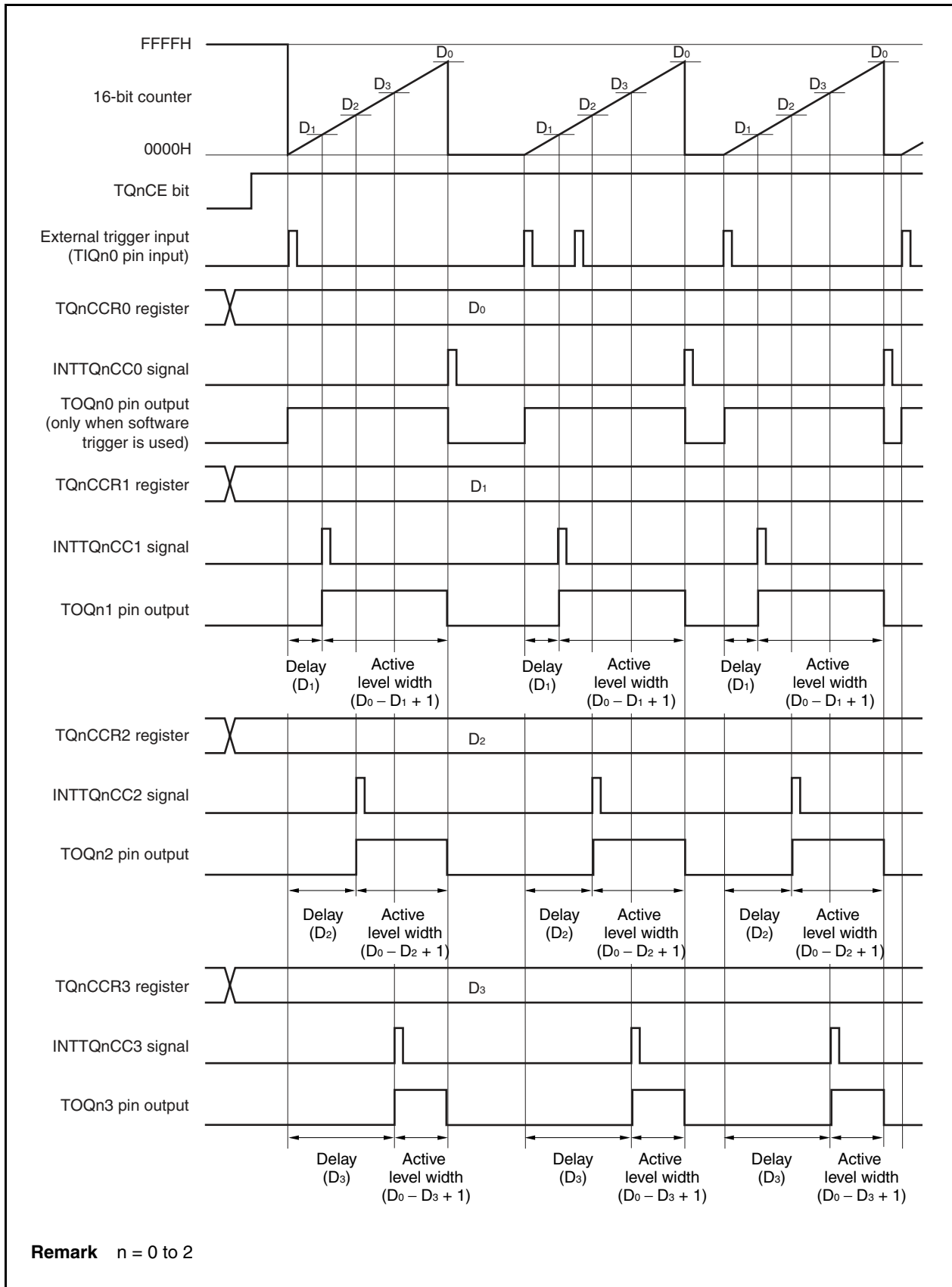


Figure 8-21. Basic Timing in One-Shot Pulse Output Mode



When the TQnCE bit is set to 1, 16-bit timer/event counter Q waits for a trigger. When the trigger is generated, the 16-bit counter is cleared from FFFFH to 0000H, starts counting, and outputs a one-shot pulse from the TOQnk pin. After the one-shot pulse is output, the 16-bit counter is set to FFFFH, stops counting, and waits for a trigger. If a trigger is generated again while the one-shot pulse is being output, it is ignored.

The output delay period and active level width of the one-shot pulse can be calculated as follows.

$$\text{Output delay period} = (\text{Set value of TQnCCRk register}) \times \text{Count clock cycle}$$

$$\text{Active level width} = (\text{Set value of TQnCCR0 register} - \text{Set value of TQnCCRk register} + 1) \times \text{Count clock cycle}$$

The compare match interrupt request signal INTTQnCC0 is generated when the 16-bit counter counts after its count value matches the value of the CCR0 buffer register. The compare match interrupt request signal (INTTQnCCk) is generated when the count value of the 16-bit counter matches the value of the CCRk buffer register.

The valid edge of an external trigger input or setting the software trigger (TQnCTL1.TQnEST bit) to 1 is used as the trigger.

Remark k = 1 to 3,
n = 0 to 2

Figure 8-22. Register Setting for Operation in One-Shot Pulse Output Mode (1/3)

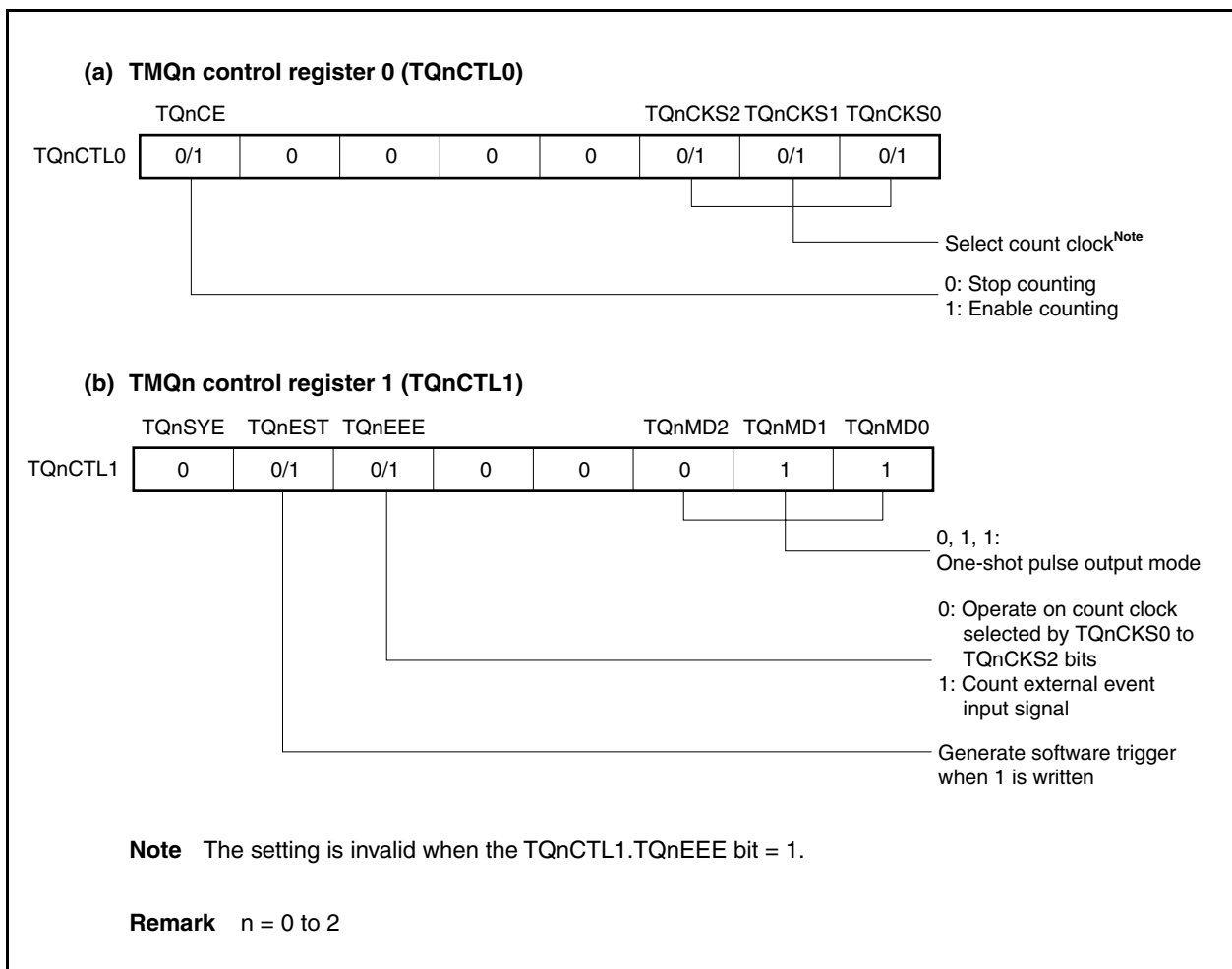


Figure 8-22. Register Setting for Operation in One-Shot Pulse Output Mode (2/3)

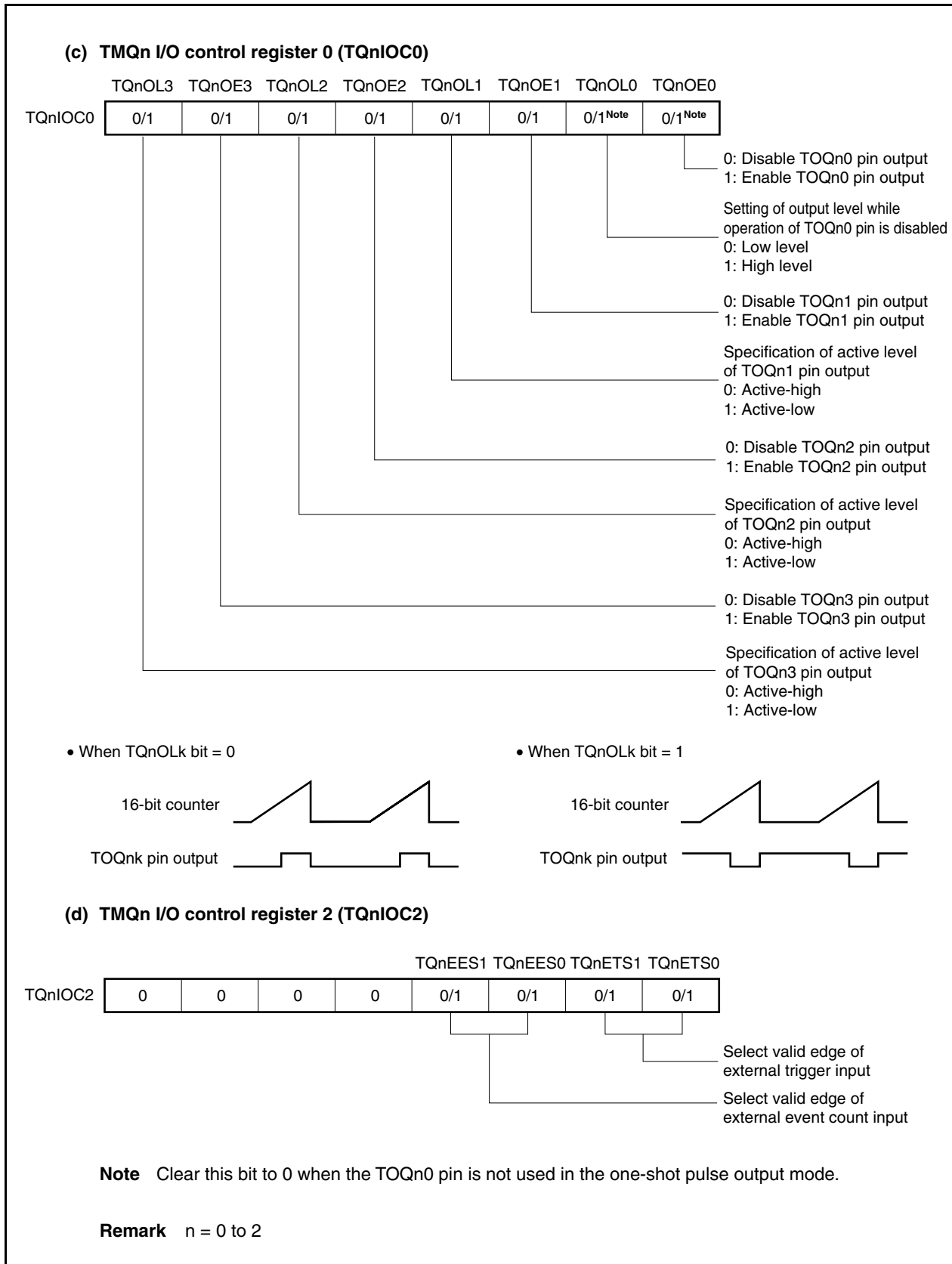


Figure 8-22. Register Setting for Operation in One-Shot Pulse Output Mode (3/3)

(e) TMQn counter read buffer register (TQnCNT)

The value of the 16-bit counter can be read by reading the TQnCNT register.

(f) TMQn capture/compare registers 0 to 3 (TQnCCR0 to TQnCCR3)

If D_0 is set to the TQnCCR0 register and D_k to the TQnCCRk register, the active level width and output delay period of the one-shot pulse are as follows.

Active level width = $(D_0 - D_k + 1) \times$ Count clock cycle

Output delay period = $(D_k) \times$ Count clock cycle

Caution One-shot pulses are not output even in the one-shot pulse output mode, if the set value in the TQnCCRk register is greater than that value in the TQnCCR0 register.

Remarks 1. TMQn I/O control register 1 (TQnIOC1) and TMQn option register 0 (TQnOPT0) are not used in the one-shot pulse output mode.

2. $k = 1$ to 3,
 $n = 0$ to 2

<R>

(1) Operation flow in one-shot pulse output mode

Figure 8-23. Software Processing Flow in One-Shot Pulse Output Mode (1/2)

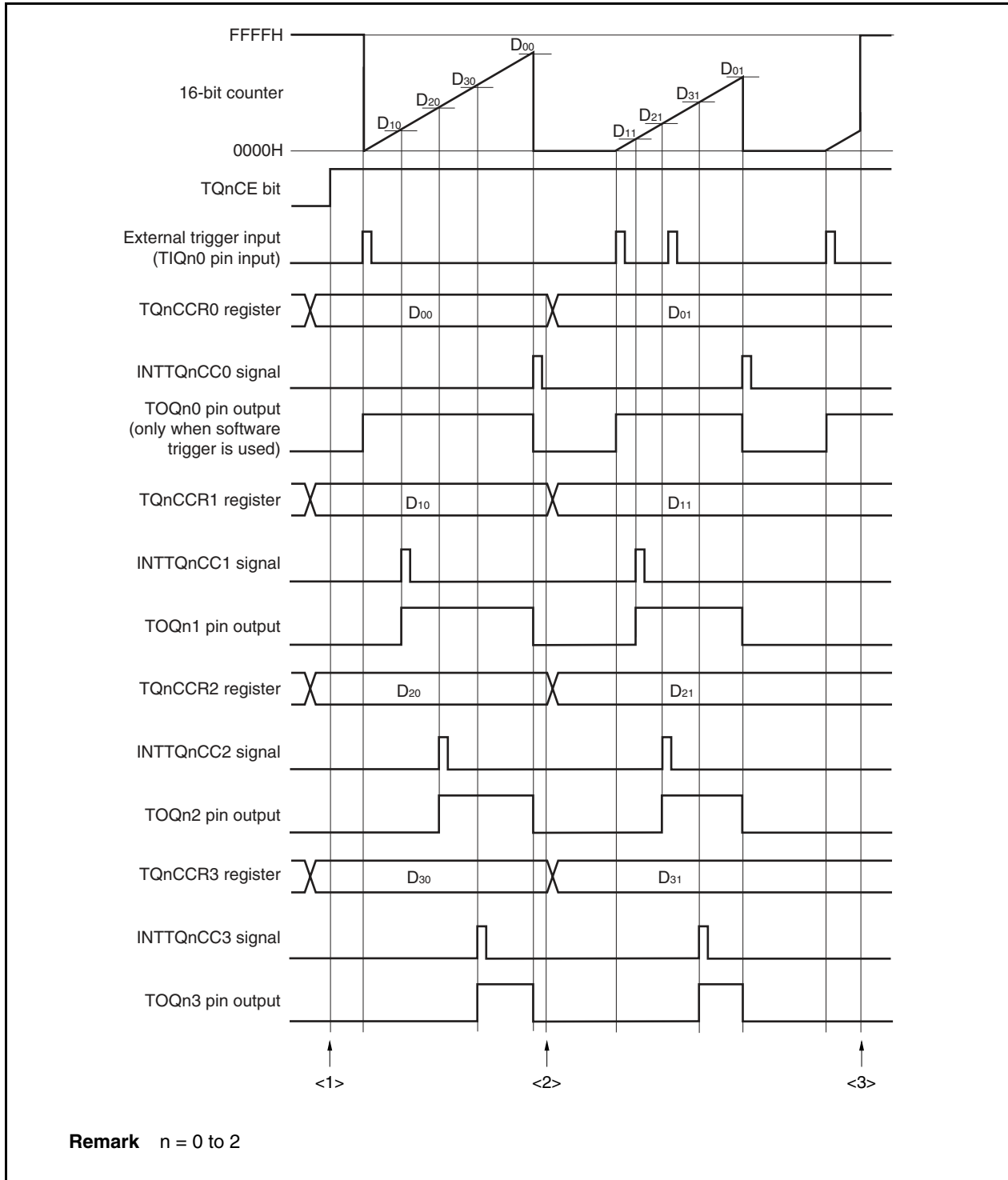
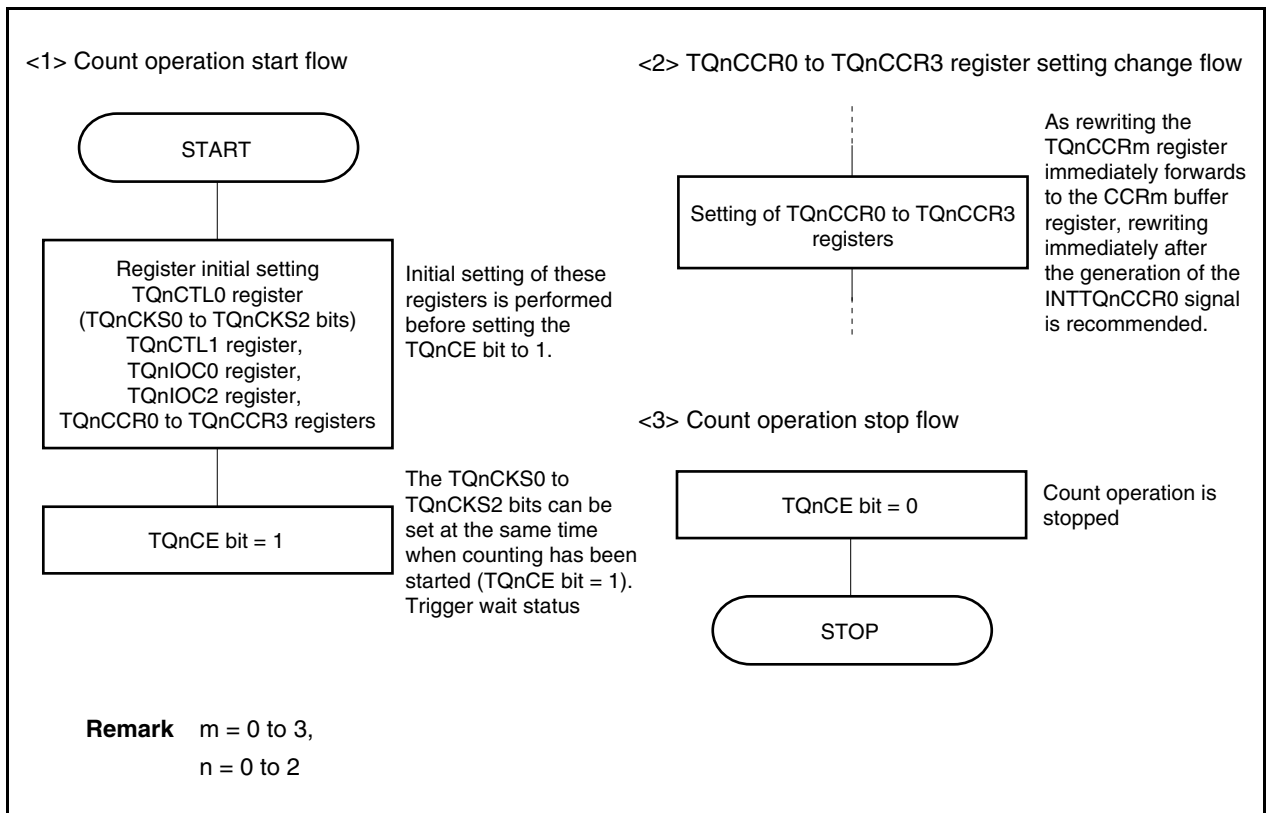


Figure 8-23. Software Processing Flow in One-Shot Pulse Output Mode (2/2)

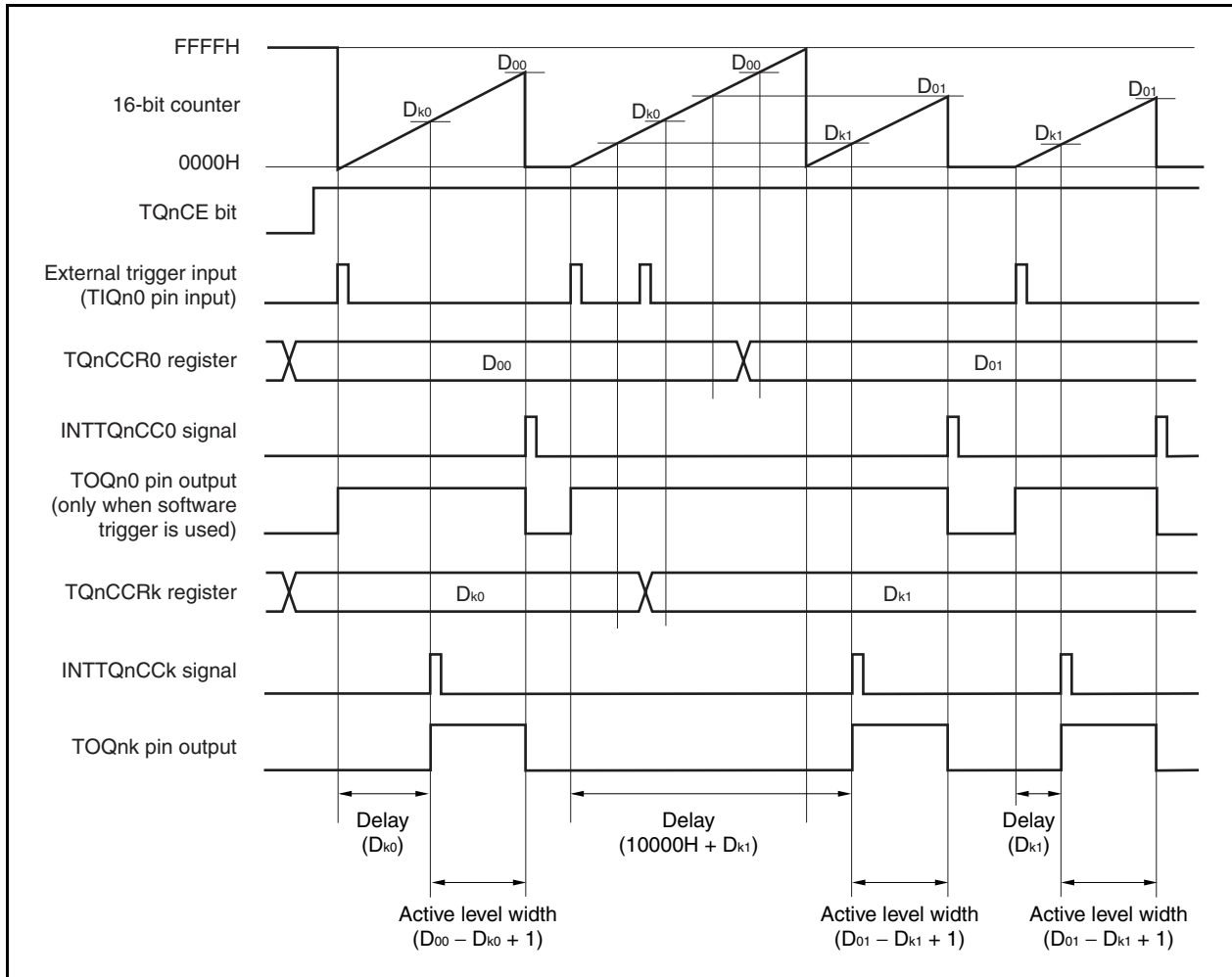


(2) Operation timing in one-shot pulse output mode

(a) Note on rewriting TQnCCRm register

To change the set value of the TQnCCRm register to a smaller value, stop counting once, and then change the set value.

If the value of the TQnCCR0 register is rewritten to a smaller value during counting, the 16-bit counter may overflow.



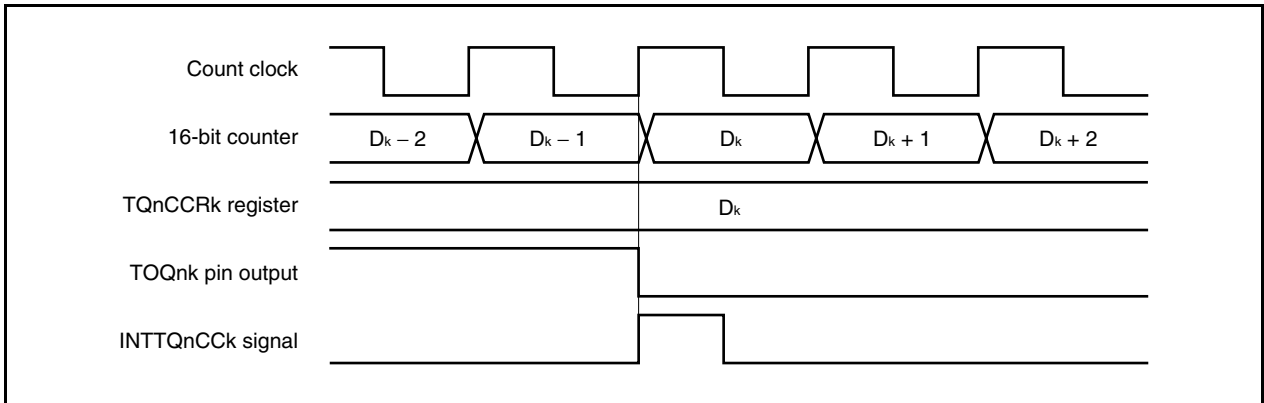
When the TQnCCR0 register is rewritten from D₀₀ to D₀₁ and the TQnCCRk register from D_{k0} to D_{k1} where D₀₀ > D₀₁ and D_{k0} > D_{k1}, if the TQnCCRk register is rewritten when the count value of the 16-bit counter is greater than D_{k1} and less than D_{k0} and if the TQnCCR0 register is rewritten when the count value is greater than D₀₁ and less than D₀₀, each set value is reflected as soon as the register has been rewritten and compared with the count value. The counter counts up to FFFFH and then counts up again from 0000H. When the count value matches D_{k1}, the counter generates the INTTQnCCk signal and asserts the TOQnk pin. When the count value matches D₀₁, the counter generates the INTTQnCC0 signal, deasserts the TOQnk pin, and stops counting.

Therefore, the counter may output a pulse with a delay period or active period different from that of the one-shot pulse that is originally expected.

Remark k = 1 to 3,
n = 0 to 2

(b) Generation timing of compare match interrupt request signal (INTTQnCCK)

The generation timing of the INTTQnCCK signal in the one-shot pulse output mode is different from other INTTQnCCK signals; the INTTQnCCK signal is generated when the count value of the 16-bit counter matches the value of the TQnCCRk register.



Usually, the INTTQnCCK signal is generated when the 16-bit counter counts up next time after its count value matches the value of the TQnCCRk register.

In the one-shot pulse output mode, however, it is generated one clock earlier. This is because the timing is changed to match the change timing of the TOQnk pin.

Remark $k = 1$ to 3 ,
 $n = 0$ to 2

8.5.5 PWM output mode (TQnMD2 to TQnMD0 bits = 100)

In the PWM output mode, a PWM waveform is output from the TOQn1 to TOQn3 pins when the TQnCTL0.TQnCE bit is set to 1.

In addition, a pulse with one cycle of the PWM waveform as half its cycle is output from the TOQn0 pin.

Figure 8-24. Configuration in PWM Output Mode

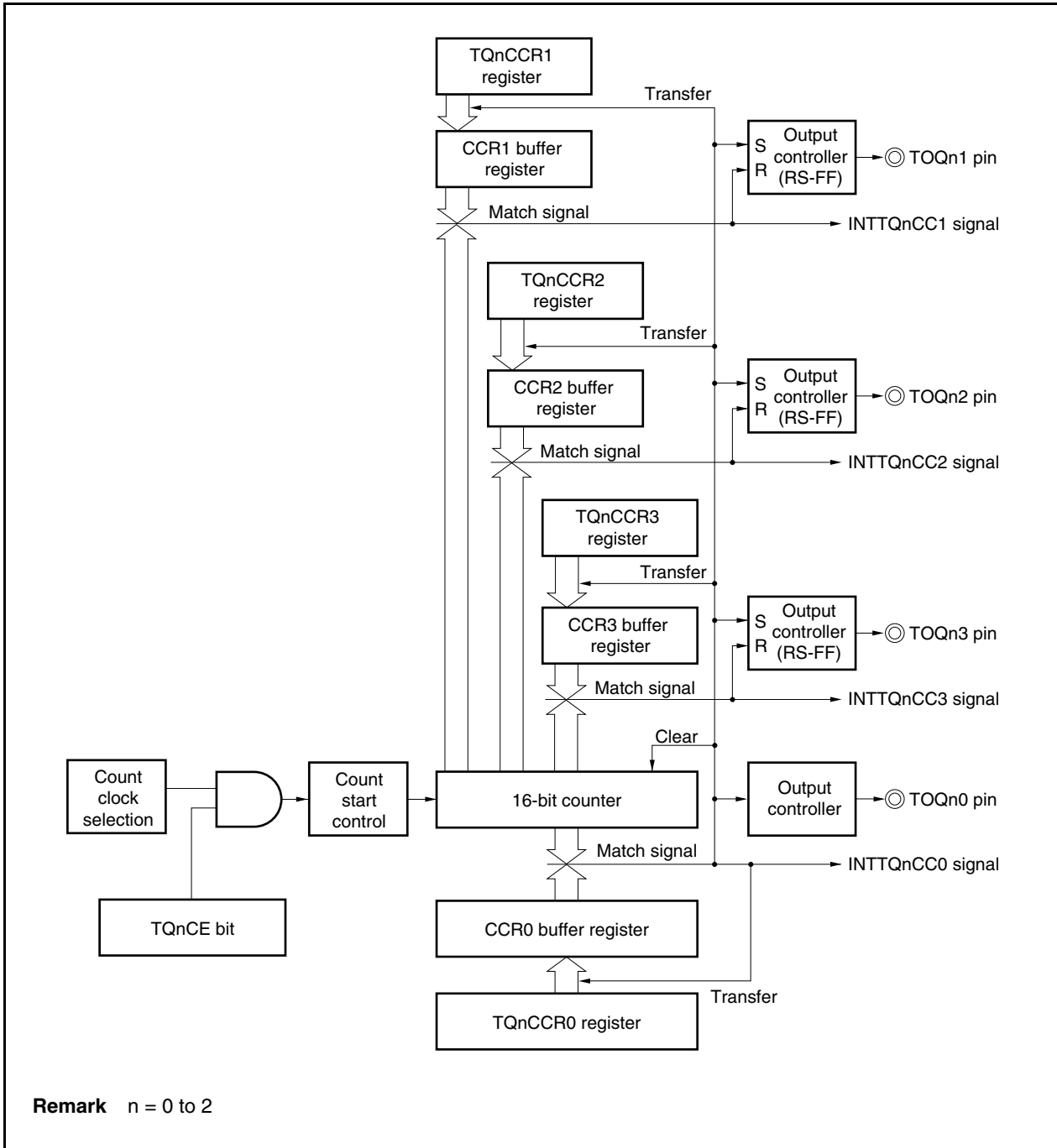
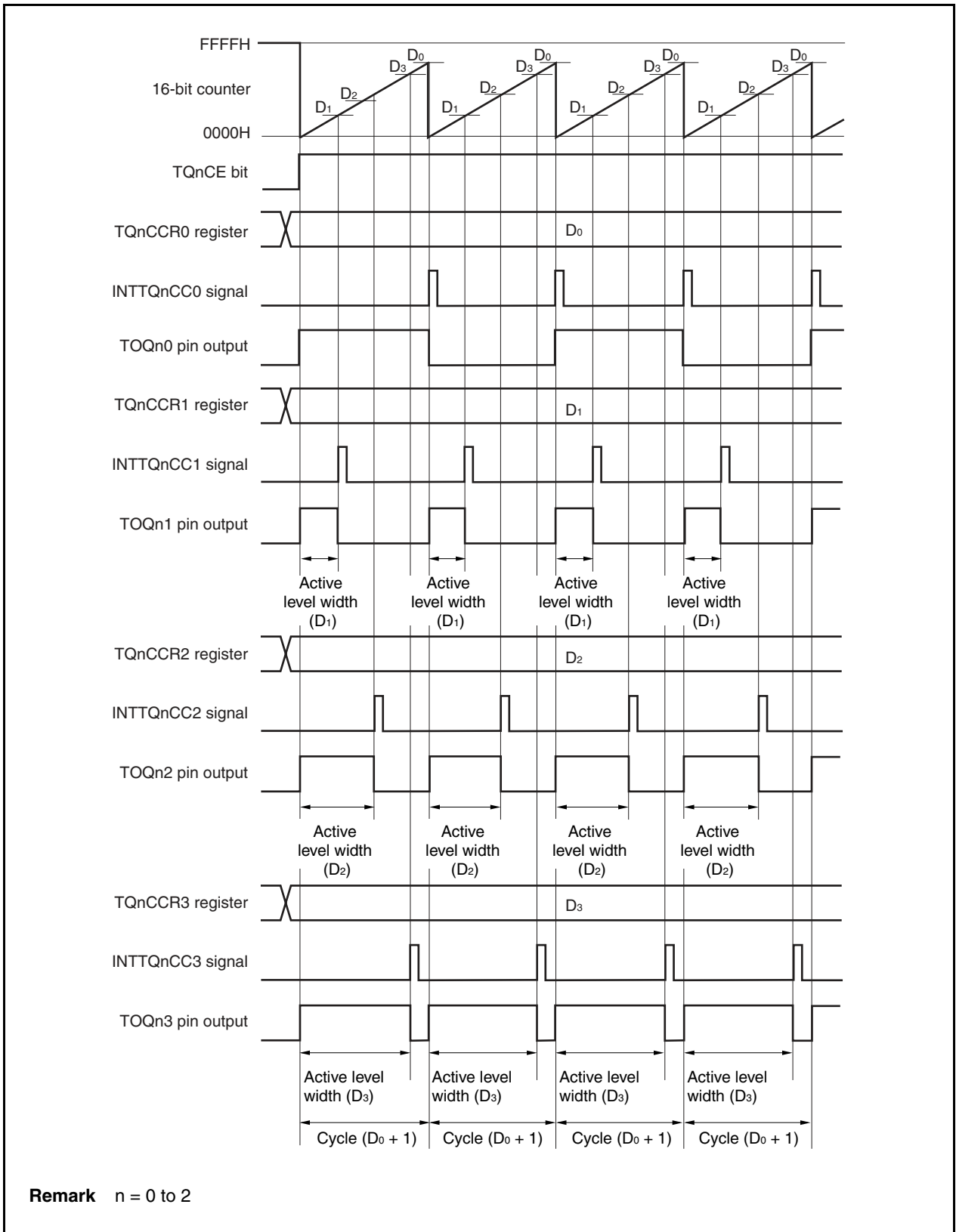


Figure 8-25. Basic Timing in PWM Output Mode



When the TQnCE bit is set to 1, the 16-bit counter is cleared from FFFFH to 0000H, starts counting, and outputs PWM waveform from the TOQnk pin.

The active level width, cycle, and duty factor of the PWM waveform can be calculated as follows.

$$\text{Active level width} = (\text{Set value of TQnCCRk register}) \times \text{Count clock cycle}$$

$$\text{Cycle} = (\text{Set value of TQnCCR0 register} + 1) \times \text{Count clock cycle}$$

$$\text{Duty factor} = (\text{Set value of TQnCCRk register}) / (\text{Set value of TQnCCR0 register} + 1)$$

The PWM waveform can be changed by rewriting the TQnCCRm register while the counter is operating. The newly written value is reflected when the count value of the 16-bit counter matches the value of the CCR0 buffer register and the 16-bit counter is cleared to 0000H.

The compare match interrupt request signal (INTTQnCC0) is generated when the 16-bit counter counts next time after its count value matches the value of the CCR0 buffer register, and the 16-bit counter is cleared to 0000H. The compare match interrupt request signal (INTTQnCCk) is generated when the count value of the 16-bit counter matches the value of the CCRk buffer register.

Remark k = 1 to 3,
m = 0 to 3,
n = 0 to 2

Figure 8-26. Setting of Registers in PWM Output Mode (1/3)

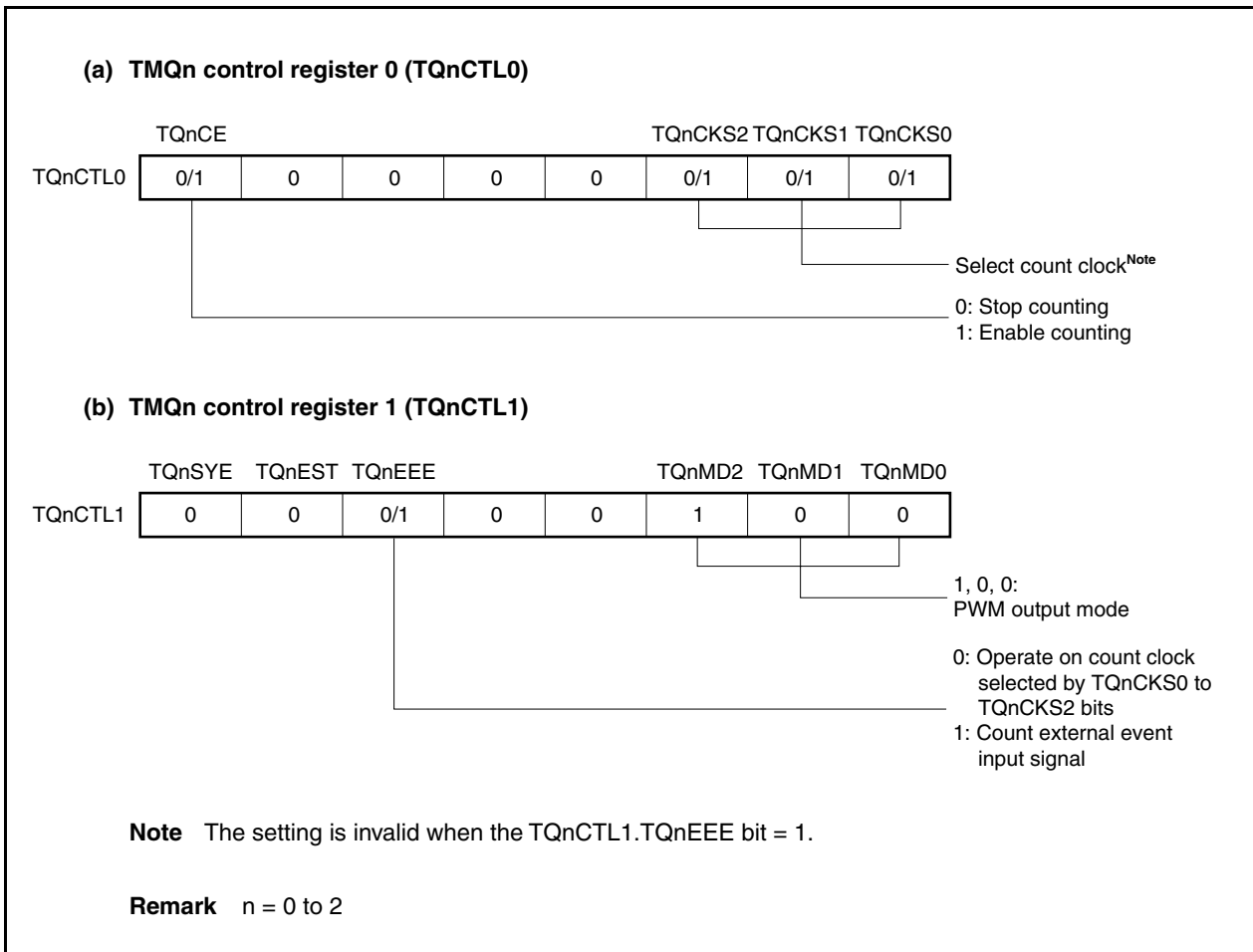


Figure 8-26. Setting of Registers in PWM Output Mode (2/3)

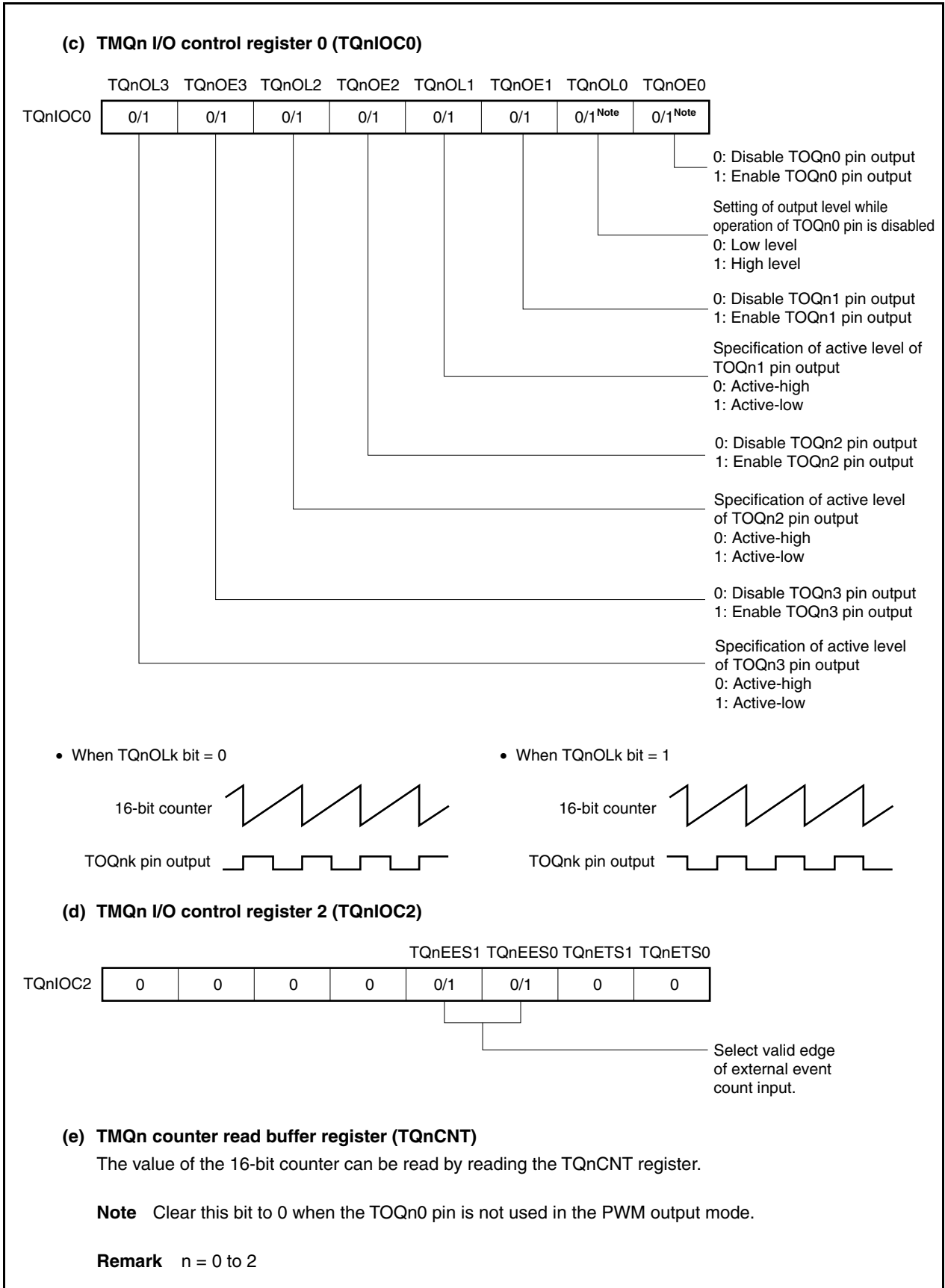


Figure 8-26. Register Setting in PWM Output Mode (3/3)

(f) TMQn capture/compare registers 0 to 3 (TQnCCR0 to TQnCCR3)

If D_0 is set to the TQnCCR0 register and D_k to the TQnCCRk register, the cycle and active level of the PWM waveform are as follows.

$$\text{Cycle} = (D_0 + 1) \times \text{Count clock cycle}$$

$$\text{Active level width} = D_k \times \text{Count clock cycle}$$

- Remarks**
1. TMQn I/O control register 1 (TQnIOC1) and TMQn option register 0 (TQnOPT0) are not used in the PWM output mode.
 2. Updating the TMQn capture/compare register 2 (TQnCCR2) and TMQn capture/compare register 3 (TQnCCR3) is validated by writing the TMQn capture/compare register 1 (TQnCCR1).
 3. $n = 0$ to 2

(1) Operation flow in PWM output mode

Figure 8-27. Software Processing Flow in PWM Output Mode (1/2)

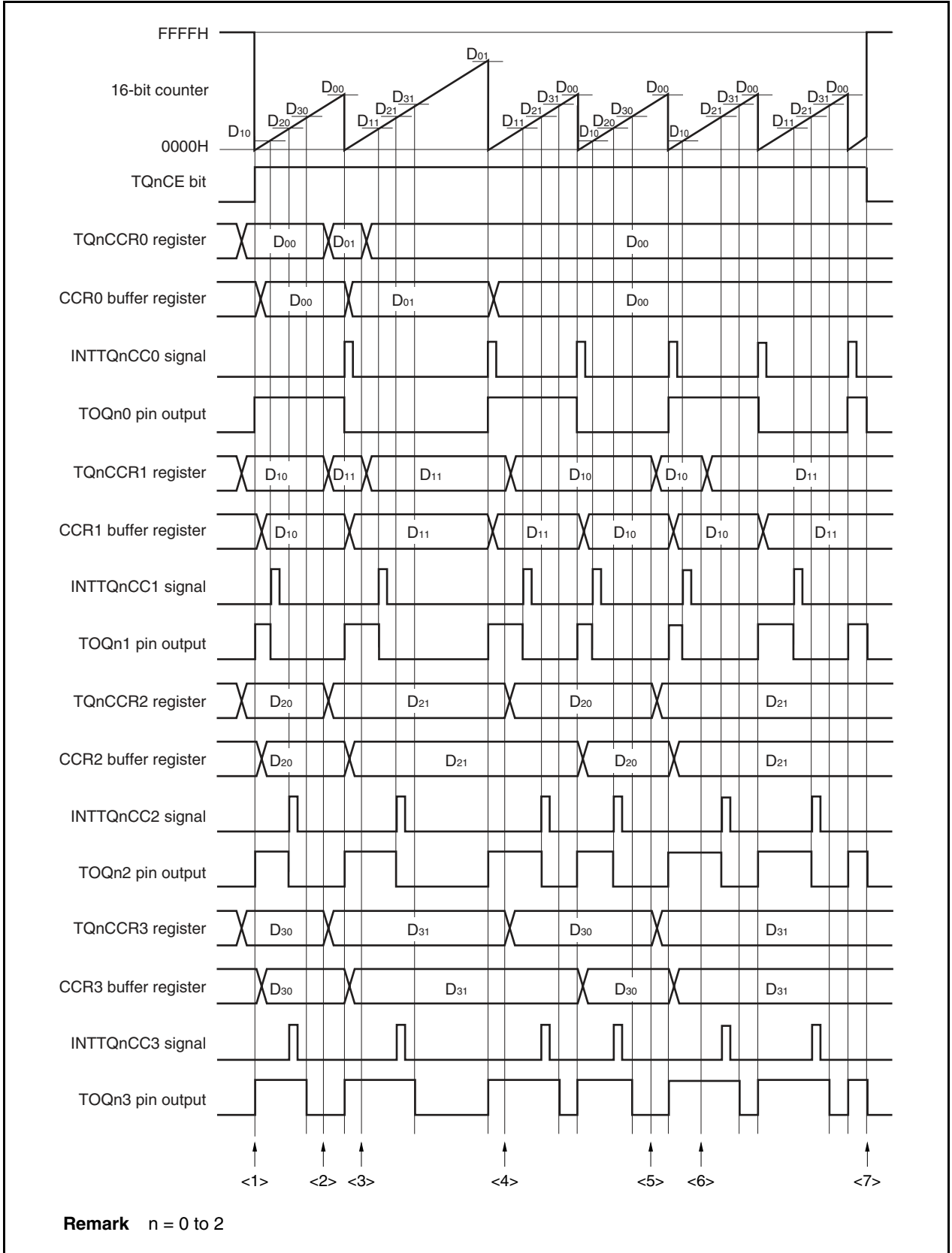
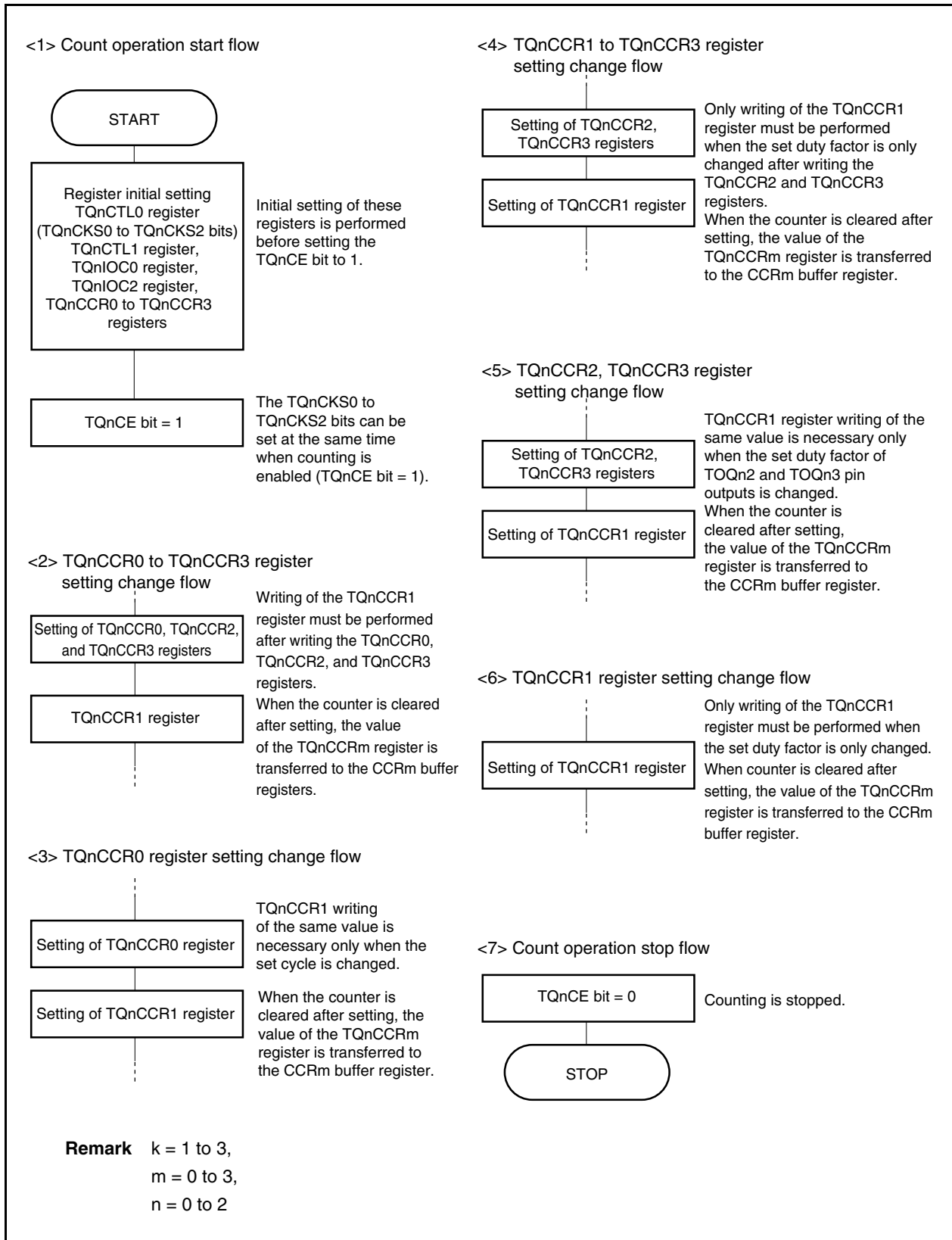


Figure 8-27. Software Processing Flow in PWM Output Mode (2/2)

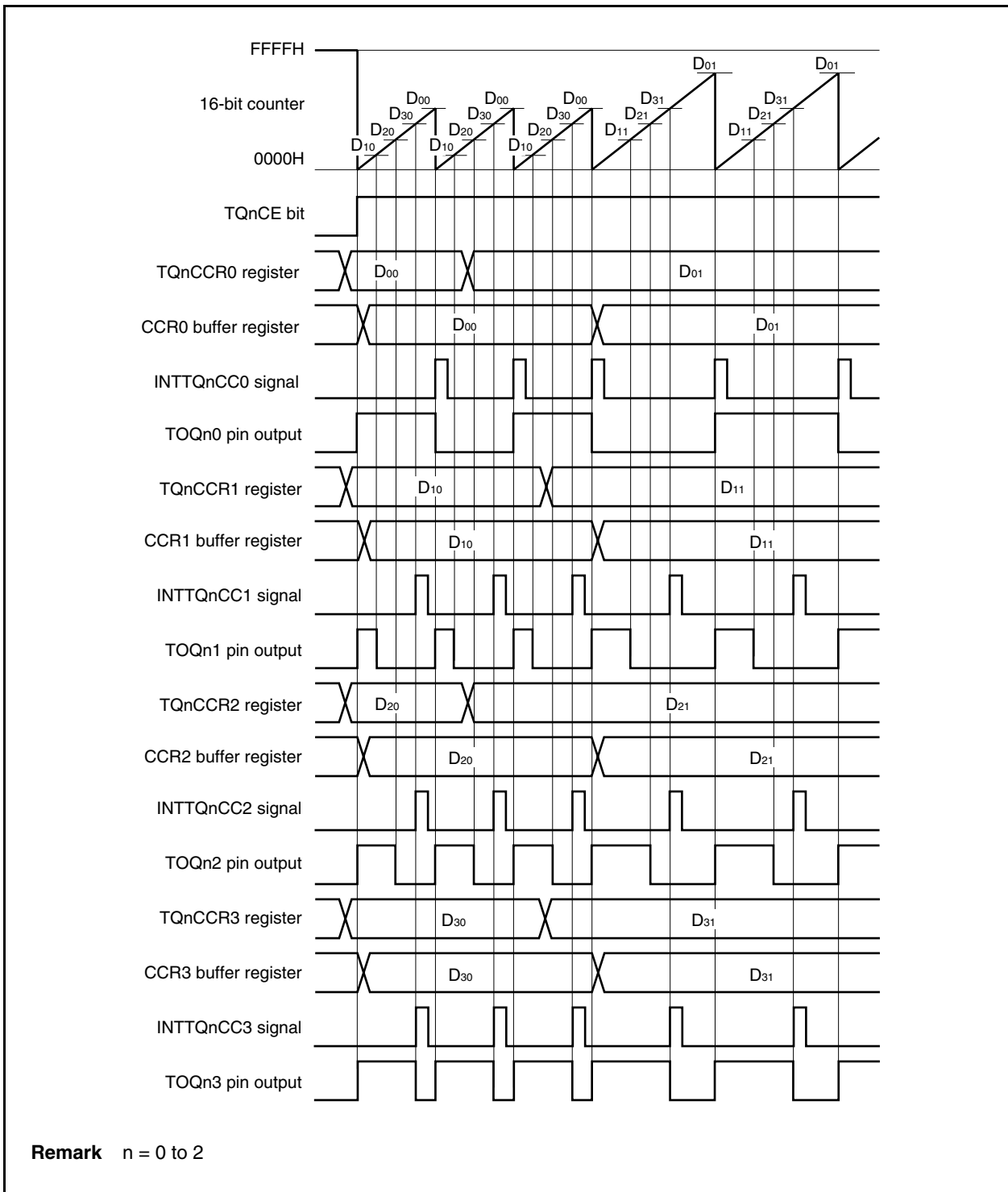


(2) PWM output mode operation timing

(a) Changing pulse width during operation

To change the PWM waveform while the counter is operating, write the TQnCCR1 register last.

Rewrite the TQnCCRk register after writing the TQnCCR1 register after the INTTQnCC1 signal is detected.



To transfer data from the TQnCCRM register to the CCRm buffer register, the TQnCCR1 register must be written.

To change both the cycle and active level of the PWM waveform at this time, first set the cycle to the TQnCCR0 register, set the active level width to the TQnCCR2 and TQnCCR3 registers, and then set an active level width to the TQnCCR1 register.

To change only the active level width (duty factor) of PWM wave, first set the active level to the TQnCCR2 and TQnCCR3 registers, and then set an active level to the TQnCCR1 register.

To change only the active level width (duty factor) of the PWM waveform output by the TOQn1 pin, only the TQnCCR1 register has to be set.

To change only the active level width (duty factor) of the PWM waveform output by the TOQn2 and TOQn3 pins, first set an active level width to the TQnCCR2 and TQnCCR3 registers, and then write the same value to the TQnCCR1 register.

After the TQnCCR1 register is written, the value written to the TQnCCRM register is transferred to the CCRm buffer register in synchronization with the timing of clearing the 16-bit counter, and is used as a value to be compared with the value of the 16-bit counter.

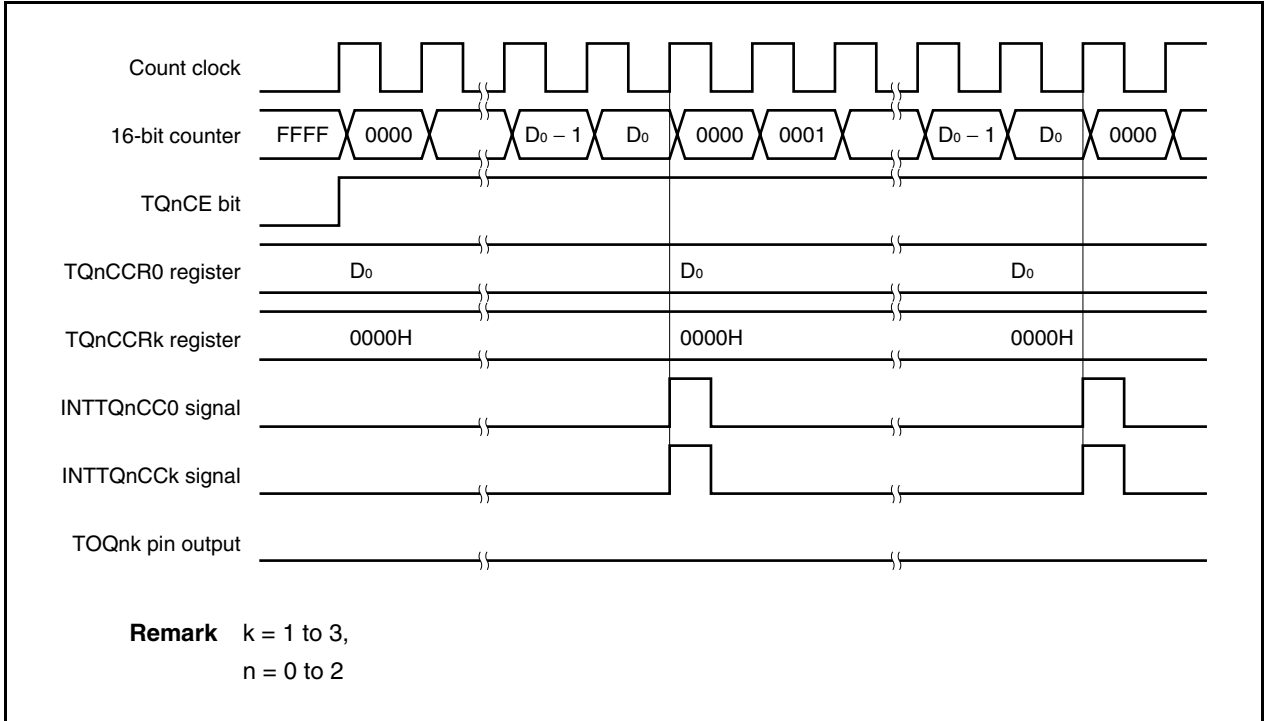
To change only the cycle of the PWM waveform, first set a cycle to the TQnCCR0 register, and then write the same value to the TQnCCR1 register.

To write the TQnCCR0 to TQnCCR3 registers again after writing the TQnCCR1 register once, do so after the INTTQnCC0 signal is generated. Otherwise, the value of the CCRm buffer register may become undefined because the timing of transferring data from the TQnCCRM register to the CCRm buffer register conflicts with writing the TQnCCRM register.

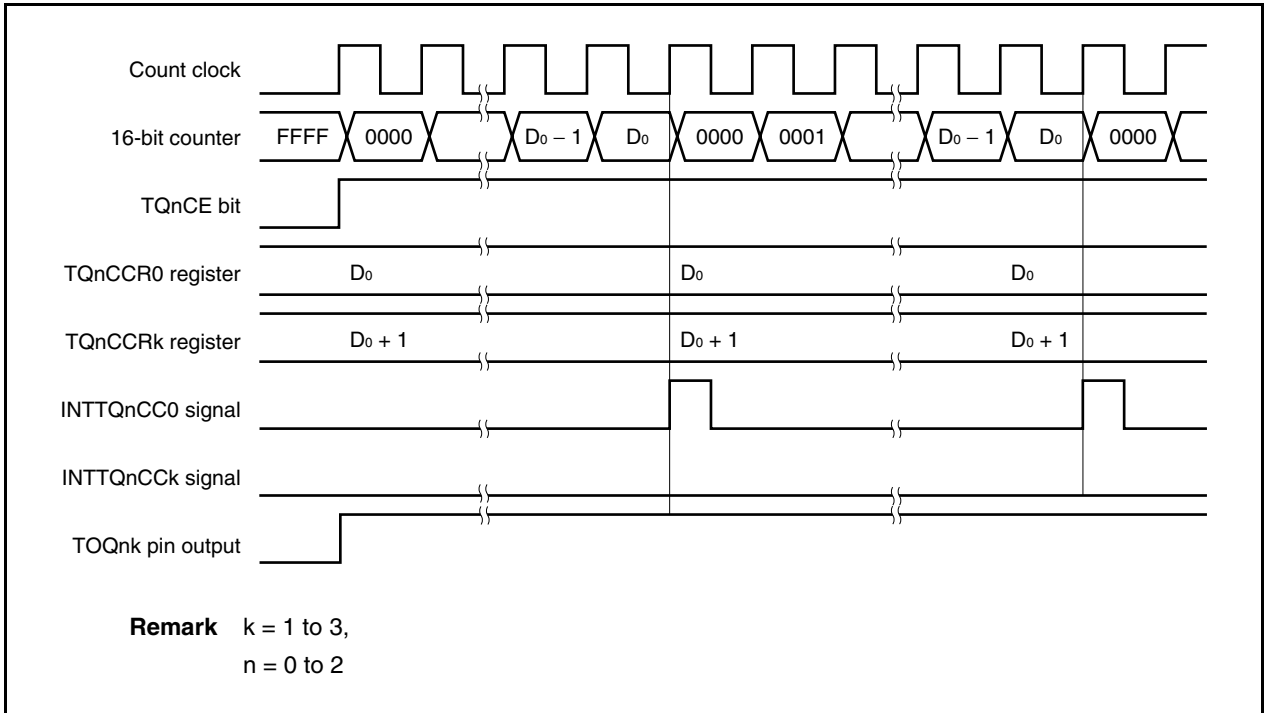
Remark m = 0 to 3,
n = 0 to 2

(b) 0%/100% output of PWM waveform

To output a 0% waveform, set the TQnCCRk register to 0000H. If the set value of the TQnCCR0 register is FFFFH, the INTTQnCCK signal is generated periodically.

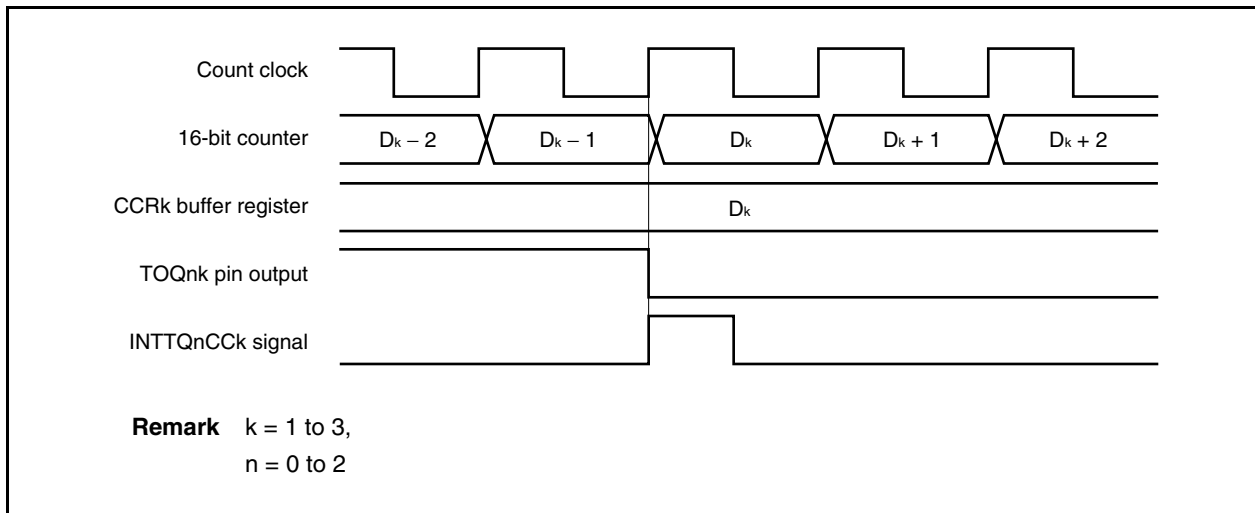


To output a 100% waveform, set a value of (set value of TQnCCR0 register + 1) to the TQnCCRk register. If the set value of the TQnCCR0 register is FFFFH, 100% output cannot be produced.



(c) Generation timing of compare match interrupt request signal (INTTQnCCK)

The timing of generation of the INTTQnCCK signal in the PWM output mode differs from the timing of other INTTQnCCK signals; the INTTQnCCK signal is generated when the count value of the 16-bit counter matches the value of the TQnCCRk register.



Usually, the INTTQnCCK signal is generated in synchronization with the next counting up after the count value of the 16-bit counter matches the value of the TQnCCRk register.

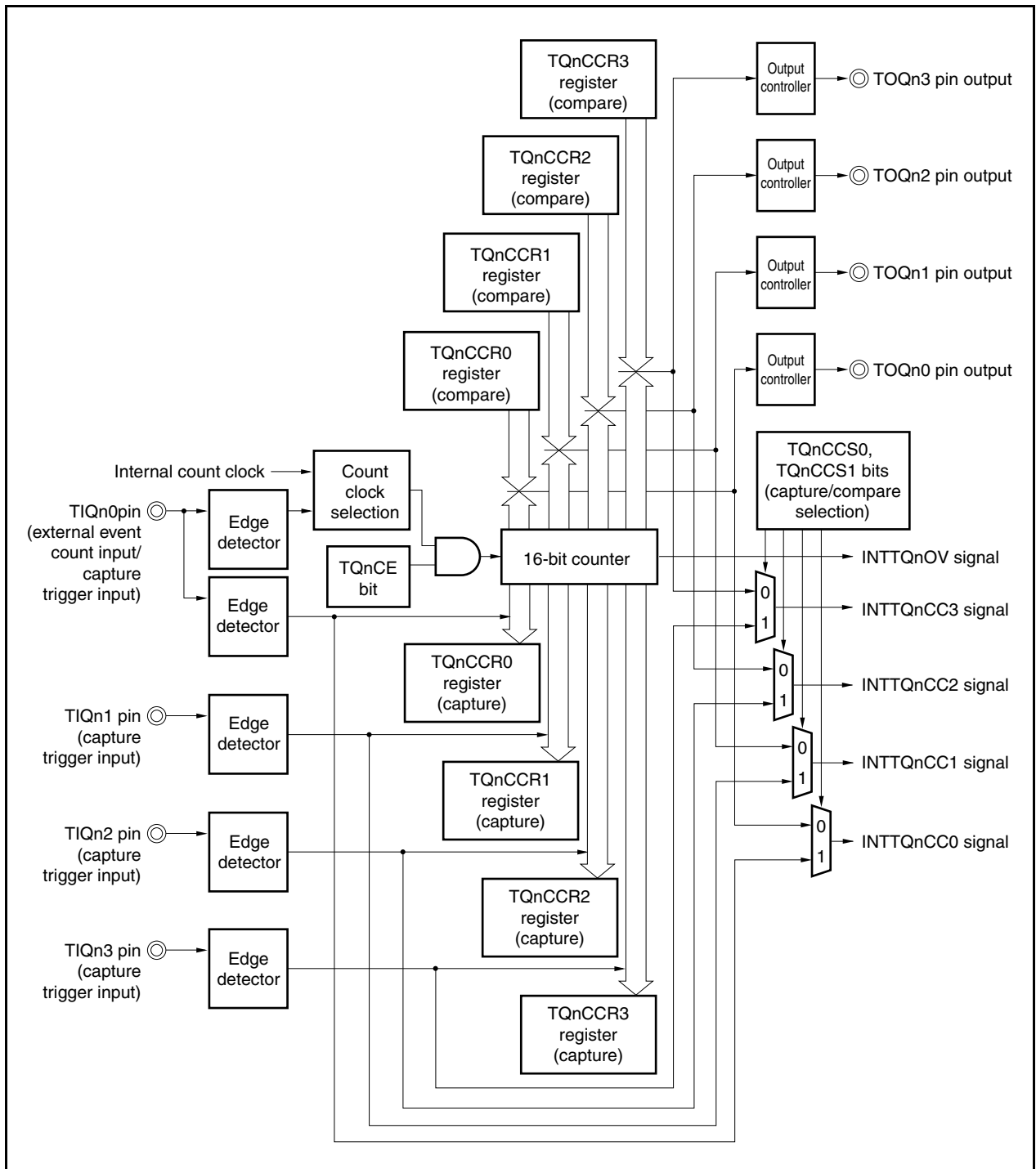
In the PWM output mode, however, it is generated one clock earlier. This is because the timing is changed to match the change timing of the output signal of the TOQnk pin.

8.5.6 Free-running timer mode (TQnMD2 to TQnMD0 bits = 101)

In the free-running timer mode, 16-bit timer/event counter Q starts counting when the TQnCTL0.TQnCE bit is set to 1. At this time, the TQnCCRm register can be used as a compare register or a capture register, depending on the setting of the TQnOPT0.TQnCCS0 and TQnOPT0.TQnCCS1 bits.

Remark m = 0 to 3,
n = 0 to 2

Figure 8-28. Configuration in Free-Running Timer Mode

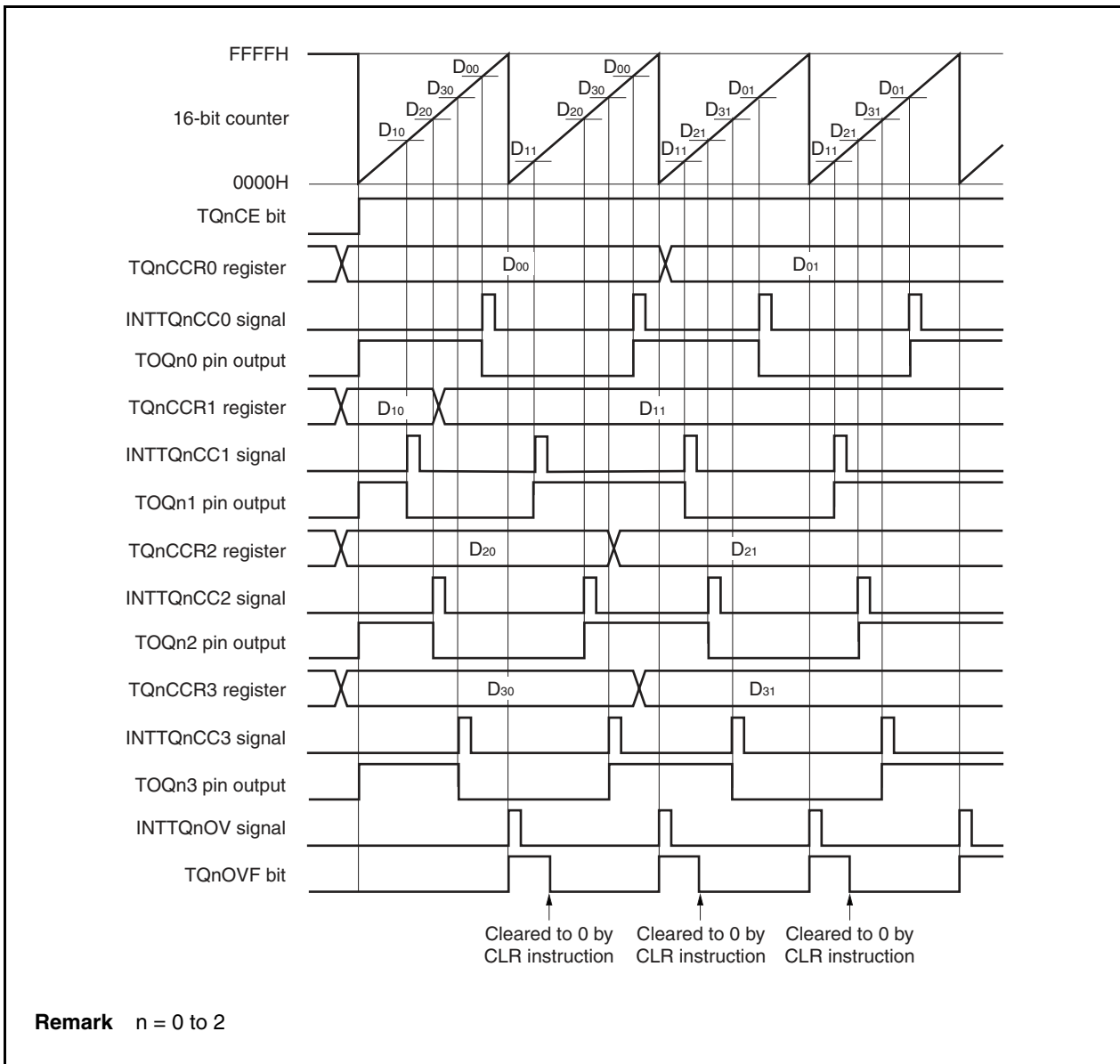


When the TQnCE bit is set to 1, 16-bit timer/event counter Q starts counting, and the output signals of the TOQn0 to TOQn3 pins are inverted. When the count value of the 16-bit counter later matches the set value of the TQnCCRm register, a compare match interrupt request signal (INTTQnCCm) is generated, and the output signal of the TOQnm pin is inverted.

The 16-bit counter continues counting in synchronization with the count clock. When it counts up to FFFFH, it generates an overflow interrupt request signal (INTTQnOV) at the next clock, is cleared to 0000H, and continues counting. At this time, the overflow flag (TQnOPT0.TQnOVF bit) is also set to 1. Clear the overflow flag to 0 by executing the CLR instruction by software.

The TQnCCRm register can be rewritten while the counter is operating. If it is rewritten, the new value is reflected at that time, and compared with the count value.

Figure 8-29. Basic Timing in Free-Running Timer Mode (Compare Function)



When the TQnCE bit is set to 1, the 16-bit counter starts counting. When the valid edge input to the TIQnm pin is detected, the count value of the 16-bit counter is stored in the TQnCCRm register, and a capture interrupt request signal (INTTQnCCm) is generated.

The 16-bit counter continues counting in synchronization with the count clock. When it counts up to FFFFH, it generates an overflow interrupt request signal (INTTQnOV) at the next clock, is cleared to 0000H, and continues counting. At this time, the overflow flag (TQnOVF bit) is also set to 1. Clear the overflow flag to 0 by executing the CLR instruction by software.

Figure 8-30. Basic Timing in Free-Running Timer Mode (Capture Function)

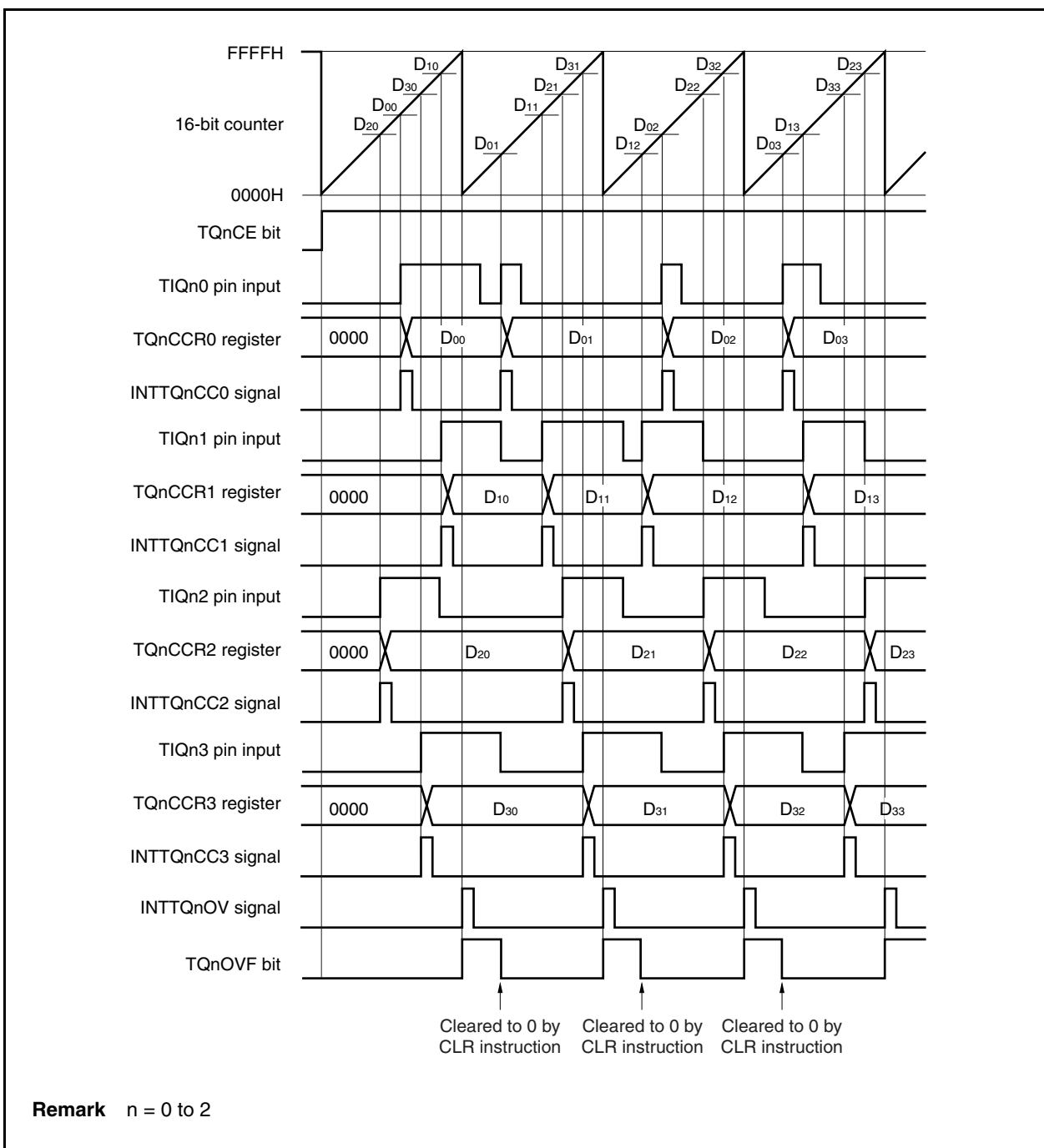


Figure 8-31. Register Setting in Free-Running Timer Mode (1/3)

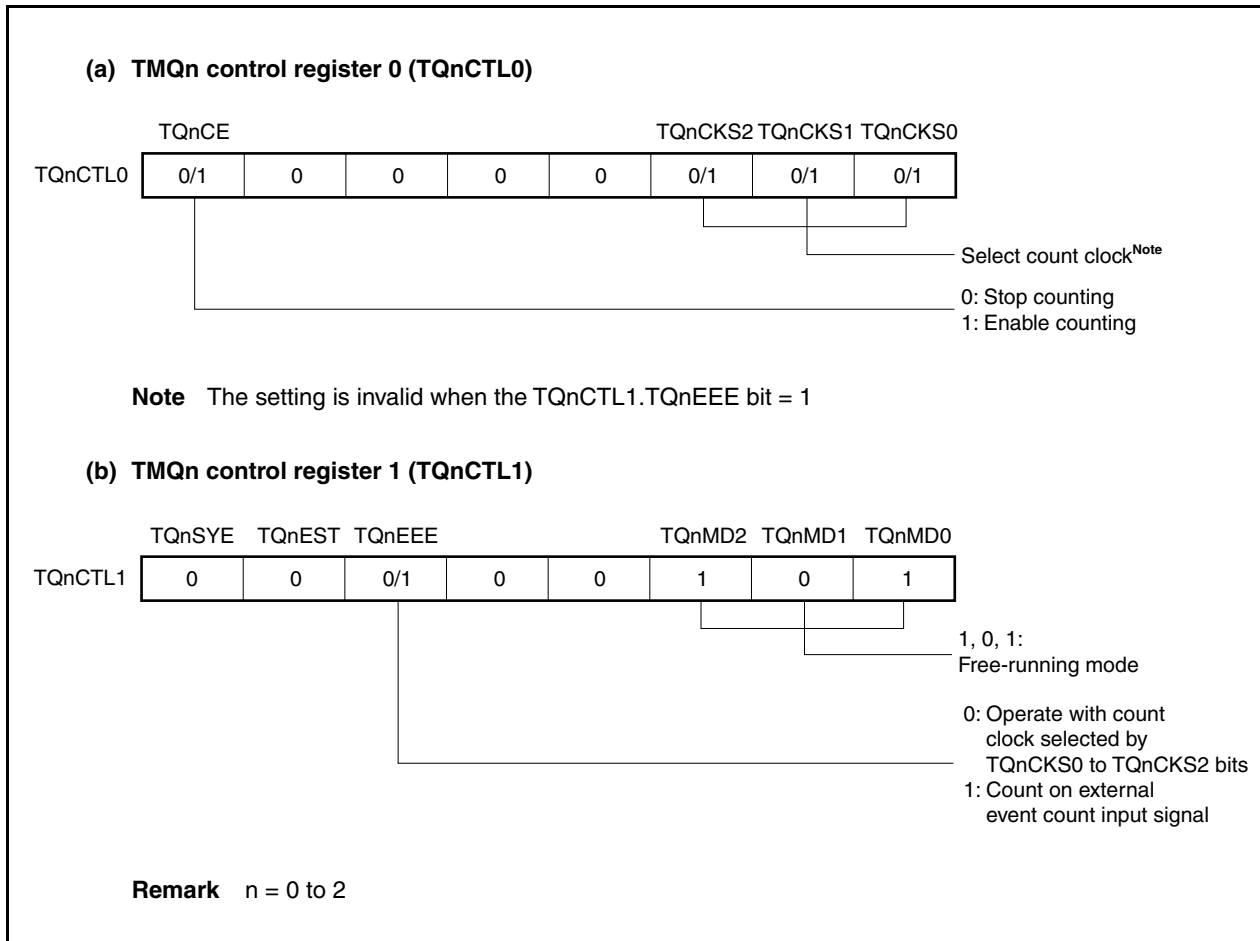


Figure 8-31. Register Setting in Free-Running Timer Mode (2/3)

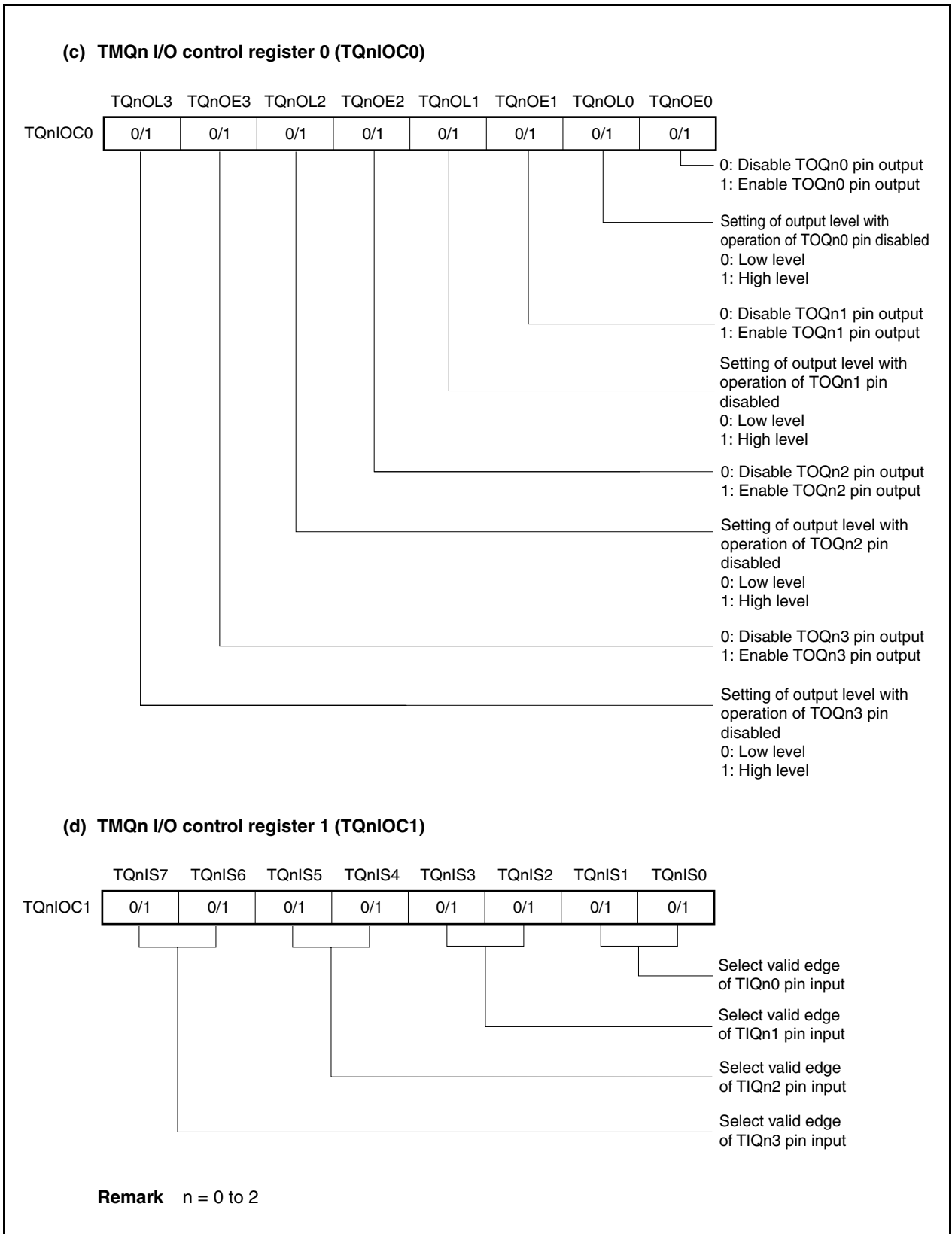
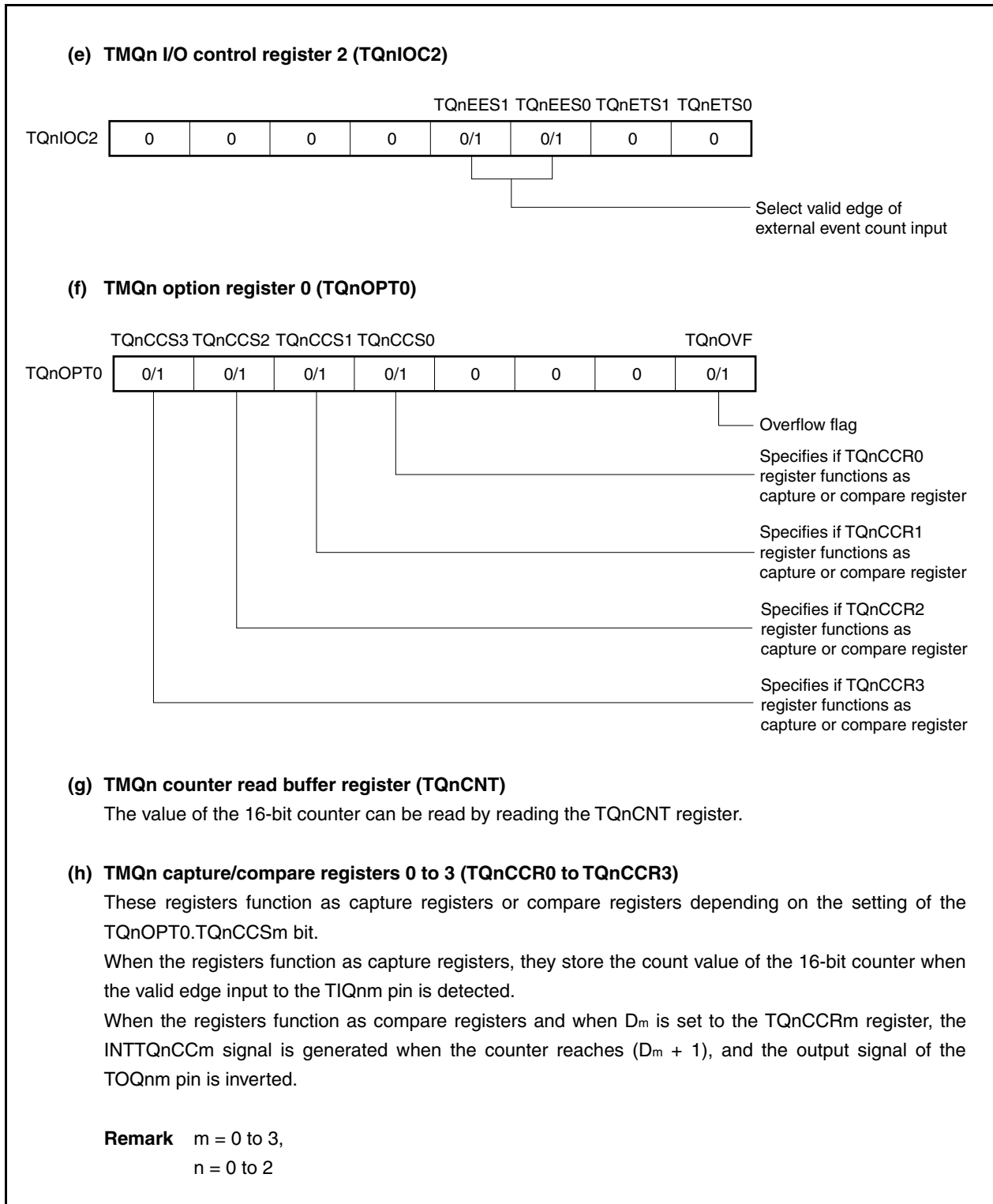


Figure 8-31. Register Setting in Free-Running Timer Mode (3/3)



(1) Operation flow in free-running timer mode

(a) When using capture/compare register as compare register

Figure 8-32. Software Processing Flow in Free-Running Timer Mode (Compare Function) (1/2)

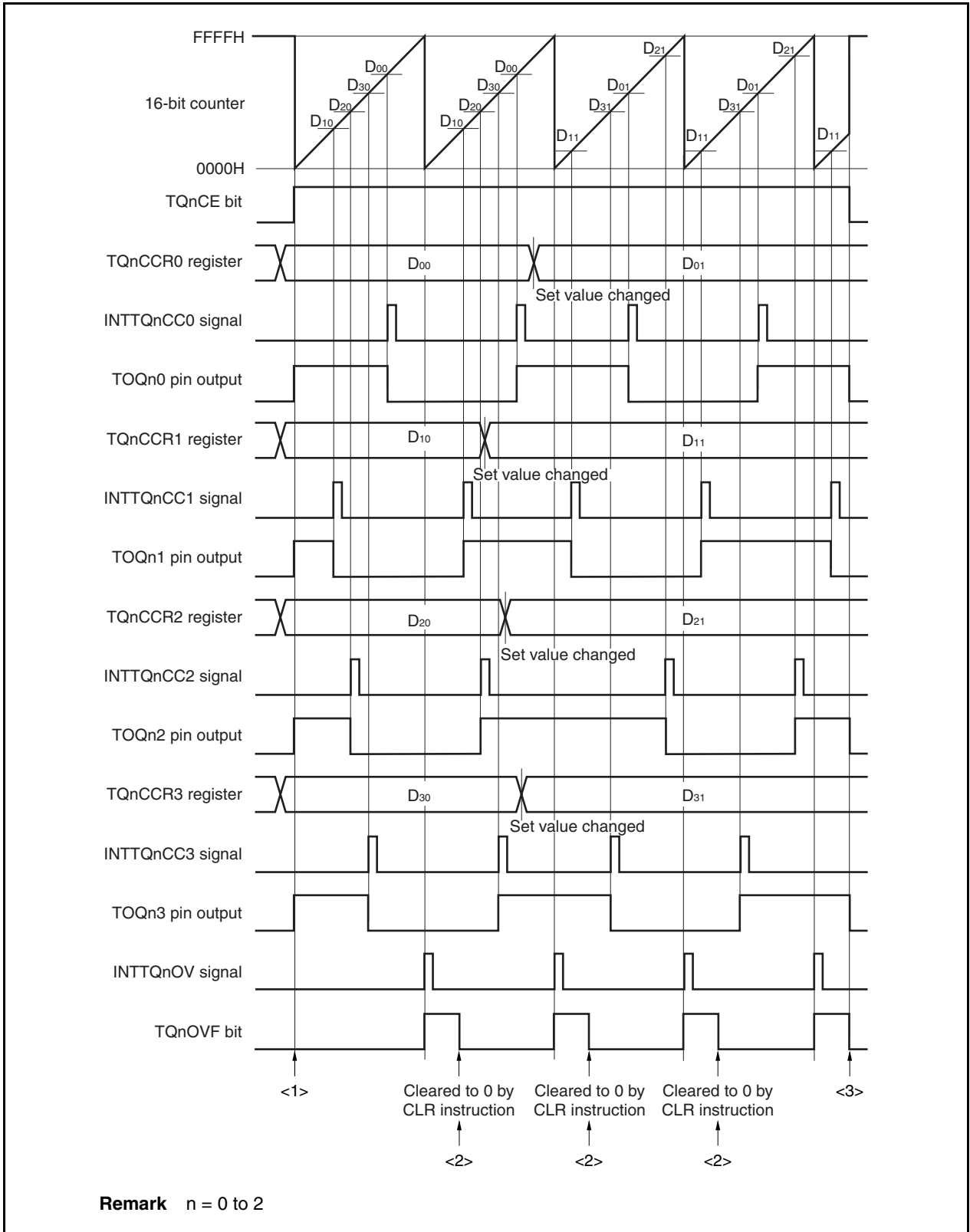
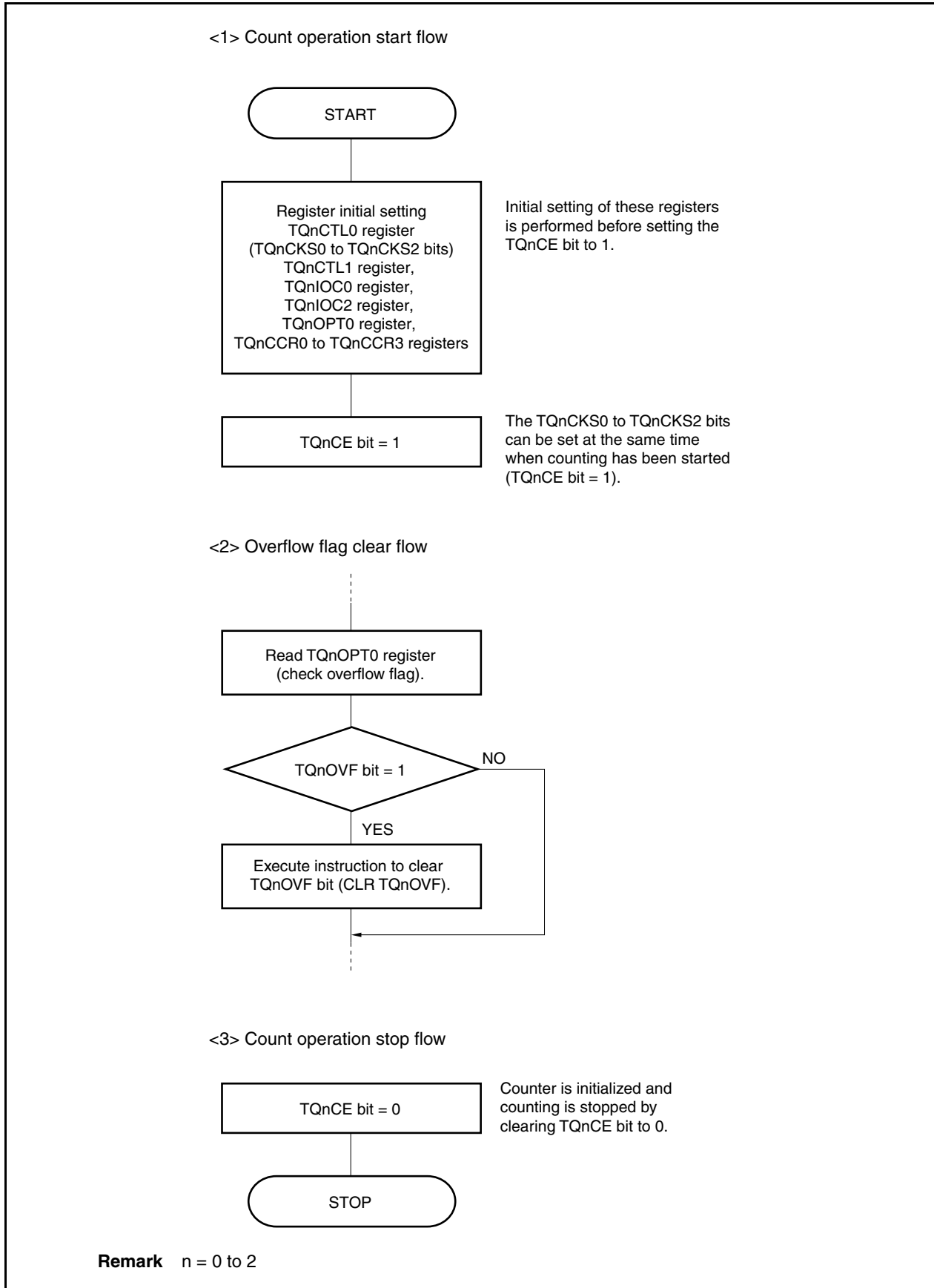


Figure 8-32. Software Processing Flow in Free-Running Timer Mode (Compare Function) (2/2)



(b) When using capture/compare register as capture register

Figure 8-33. Software Processing Flow in Free-Running Timer Mode (Capture Function) (1/2)

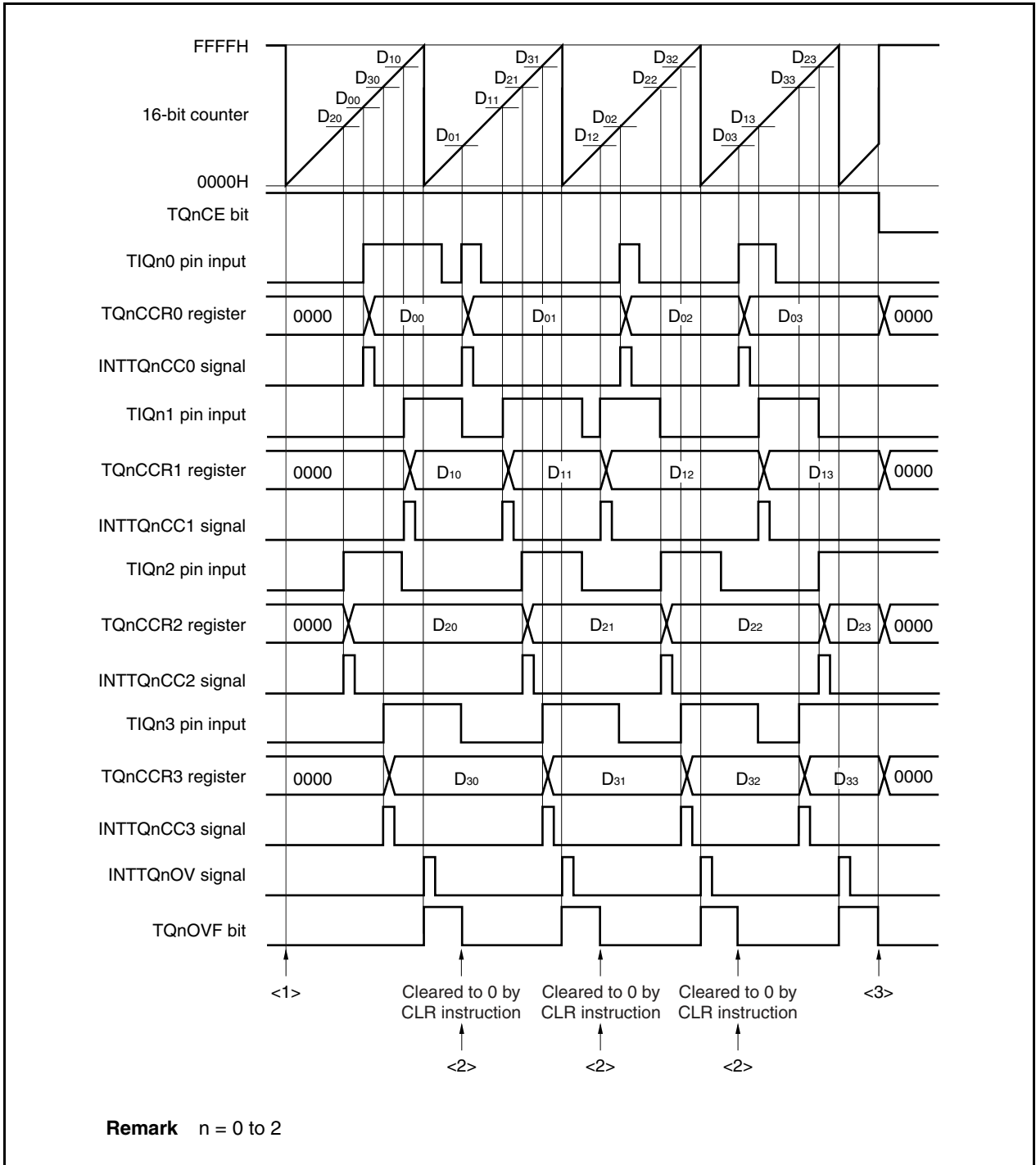
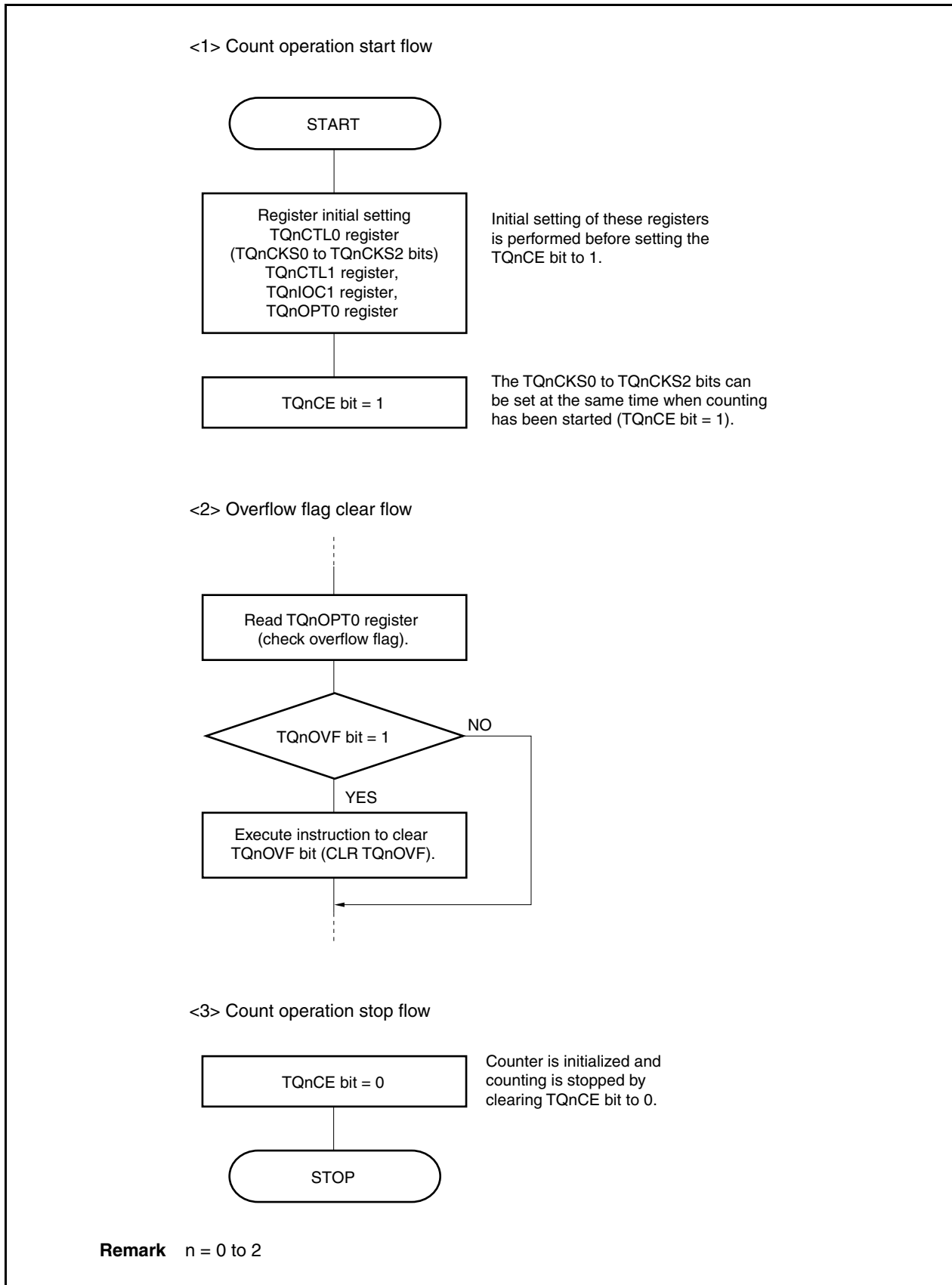


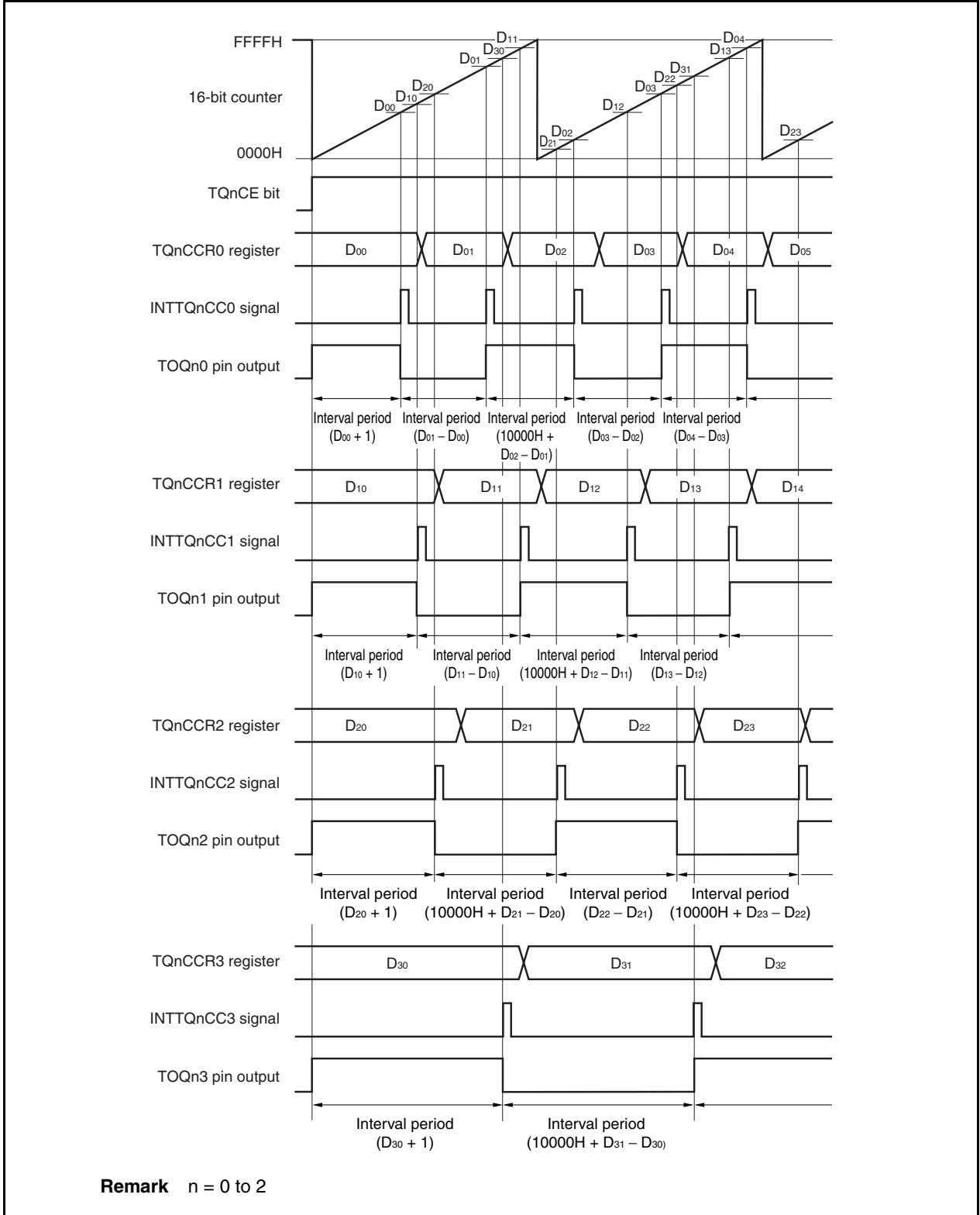
Figure 8-33. Software Processing Flow in Free-Running Timer Mode (Capture Function) (2/2)



(2) Operation timing in free-running timer mode

(a) Interval operation with compare register

When 16-bit timer/event counter Q is used as an interval timer with the TQnCCRm register used as a compare register, software processing is necessary for setting a comparison value to generate the next interrupt request signal each time the INTTQnCCm signal has been detected.



When performing an interval operation in the free-running timer mode, two intervals can be set with one channel.

To perform the interval operation, the value of the corresponding TQnCCRm register must be re-set in the interrupt servicing that is executed when the INTTQnCCm signal is detected.

The set value for re-setting the TQnCCRm register can be calculated by the following expression, where “D_m” is the interval period.

Compare register default value: $D_m - 1$

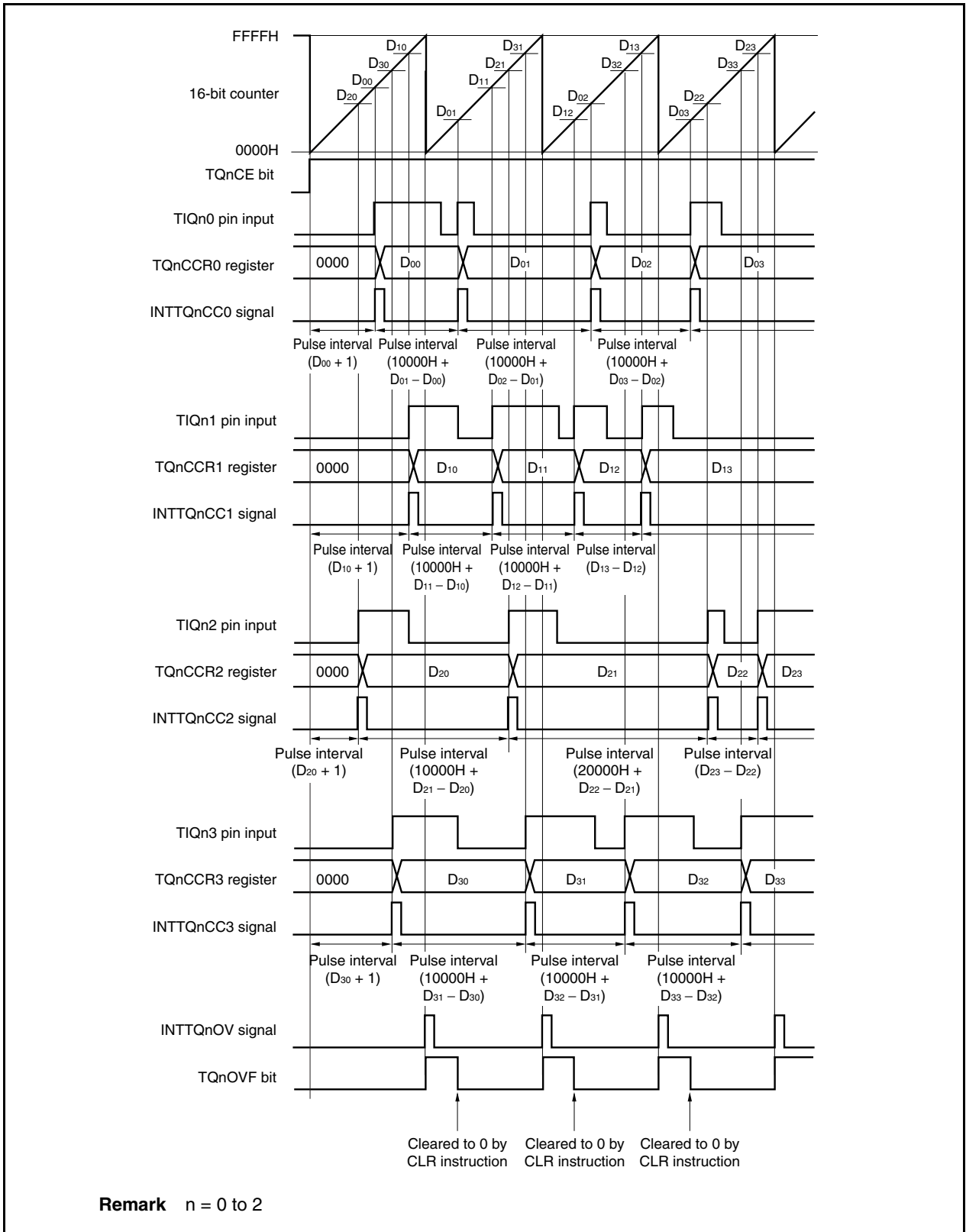
Value set to compare register second and subsequent time: Previous set value + D_m

(If the calculation result is greater than FFFFH, subtract 10000H from the result and set this value to the register.)

Remark m = 0 to 3,
n = 0 to 2

(b) Pulse width measurement with capture register

When pulse width measurement is performed with the TQnCCRm register used as a capture register, software processing is necessary for reading the capture register each time the INTTQnCCm signal has been detected and for calculating an interval.



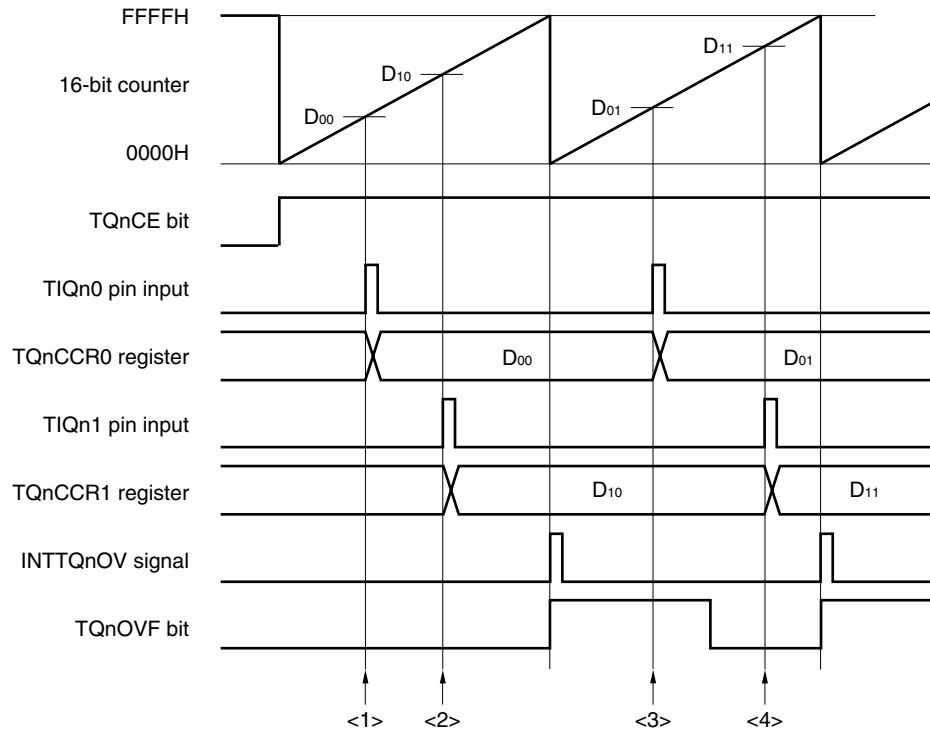
When executing pulse width measurement in the free-running timer mode, four pulse widths can be measured with one channel.

To measure a pulse width, the pulse width can be calculated by reading the value of the TQnCCRm register in synchronization with the INTTQnCCm signal, and calculating the difference between the read value and the previously read value.

Remark m = 0 to 3,
n = 0 to 2

(c) Processing of overflow when two or more capture registers are used

Care must be exercised in processing the overflow flag when two capture registers are used. First, an example of incorrect processing is shown below.

Example of incorrect processing when two or more capture registers are used

The following problem may occur when two pulse widths are measured in the free-running timer mode.

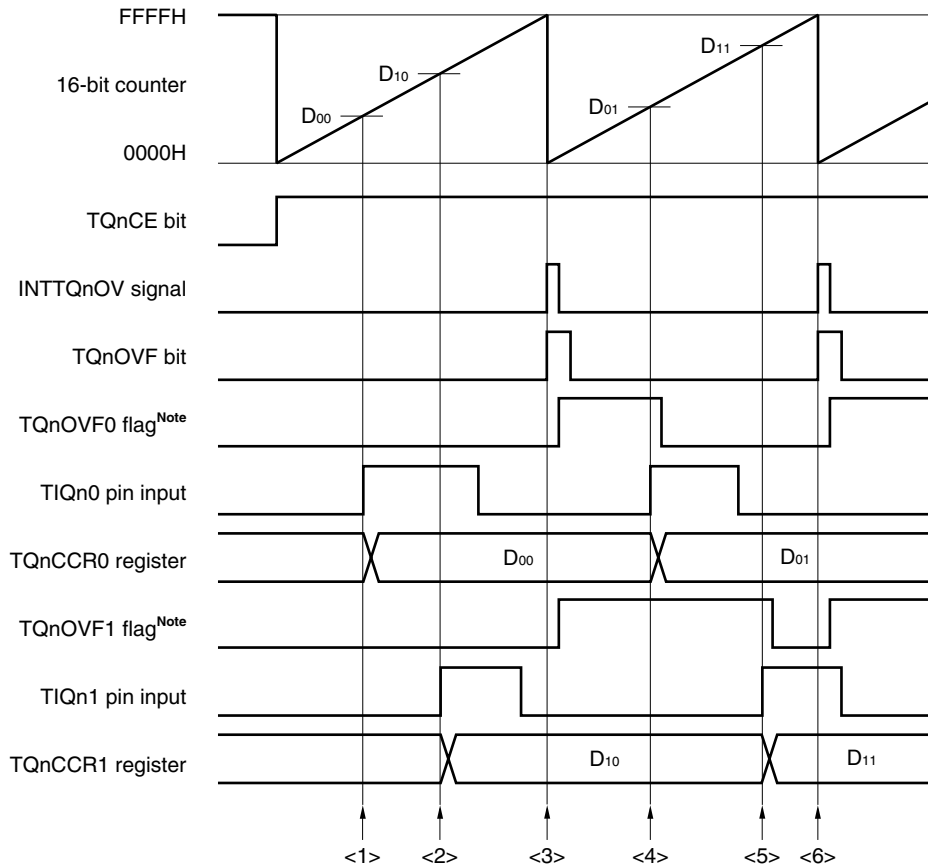
- <1> Read the TQnCCR0 register (setting of the default value of the TIQn0 pin input).
- <2> Read the TQnCCR1 register (setting of the default value of the TIQn1 pin input).
- <3> Read the TQnCCR0 register.
Read the overflow flag. If the overflow flag is 1, clear it to 0.
Because the overflow flag is 1, the pulse width can be calculated by $(10000H + D_{01} - D_{00})$.
- <4> Read the TQnCCR1 register.
Read the overflow flag. Because the flag is cleared in <3>, 0 is read.
Because the overflow flag is 0, the pulse width can be calculated by $(D_{11} - D_{10})$ (incorrect).

Remark $n = 0$ to 2

When two capture registers are used, and if the overflow flag is cleared to 0 by one capture register, the other capture register may not obtain the correct pulse width.

Use software when using two capture registers. An example of how to use software is shown below.

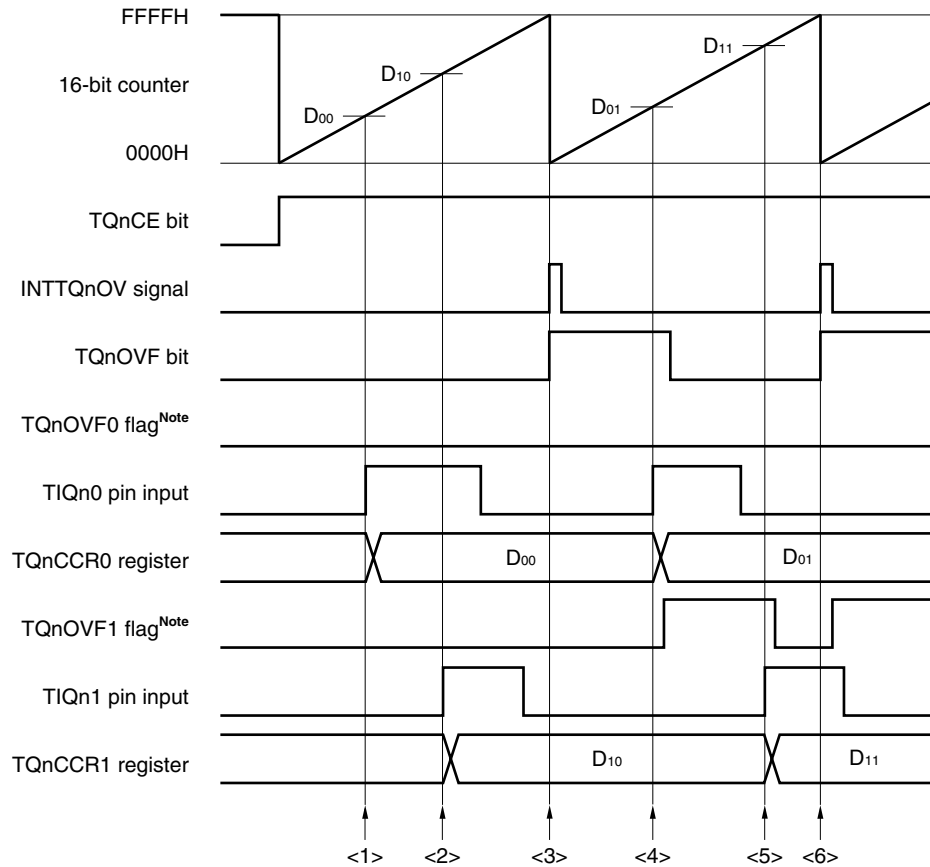
Example when two capture registers are used (using overflow interrupt)



Note The TQnOVF0 and TQnOVF1 flags are set on the internal RAM by software.

- <1> Read the TQnCCR0 register (setting of the default value of the TIQn0 pin input).
- <2> Read the TQnCCR1 register (setting of the default value of the TIQn1 pin input).
- <3> An overflow occurs. Set the TQnOVF0 and TQnOVF1 flags to 1 in the overflow interrupt servicing, and clear the overflow flag to 0.
- <4> Read the TQnCCR0 register.
Read the TQnOVF0 flag. If the TQnOVF0 flag is 1, clear it to 0.
Because the TQnOVF0 flag is 1, the pulse width can be calculated by $(10000H + D_{01} - D_{00})$.
- <5> Read the TQnCCR1 register.
Read the TQnOVF1 flag. If the TQnOVF1 flag is 1, clear it to 0 (the TQnOVF0 flag is cleared in <4>, and the TQnOVF1 flag remains 1).
Because the TQnOVF1 flag is 1, the pulse width can be calculated by $(10000H + D_{11} - D_{10})$ (correct).
- <6> Same as <3>

Remark $n = 0$ to 2

Example when two capture registers are used (without using overflow interrupt)

Note The TQnOVF0 and TQnOVF1 flags are set on the internal RAM by software.

<1> Read the TQnCCR0 register (setting of the default value of the TIQn0 pin input).

<2> Read the TQnCCR1 register (setting of the default value of the TIQn1 pin input).

<3> An overflow occurs. Nothing is done by software.

<4> Read the TQnCCR0 register.

Read the overflow flag. If the overflow flag is 1, set only the TQnOVF1 flag to 1, and clear the overflow flag to 0.

Because the overflow flag is 1, the pulse width can be calculated by $(10000H + D_{01} - D_{00})$.

<5> Read the TQnCCR1 register.

Read the overflow flag. Because the overflow flag is cleared in <4>, 0 is read.

Read the TQnOVF1 flag. If the TQnOVF1 flag is 1, clear it to 0.

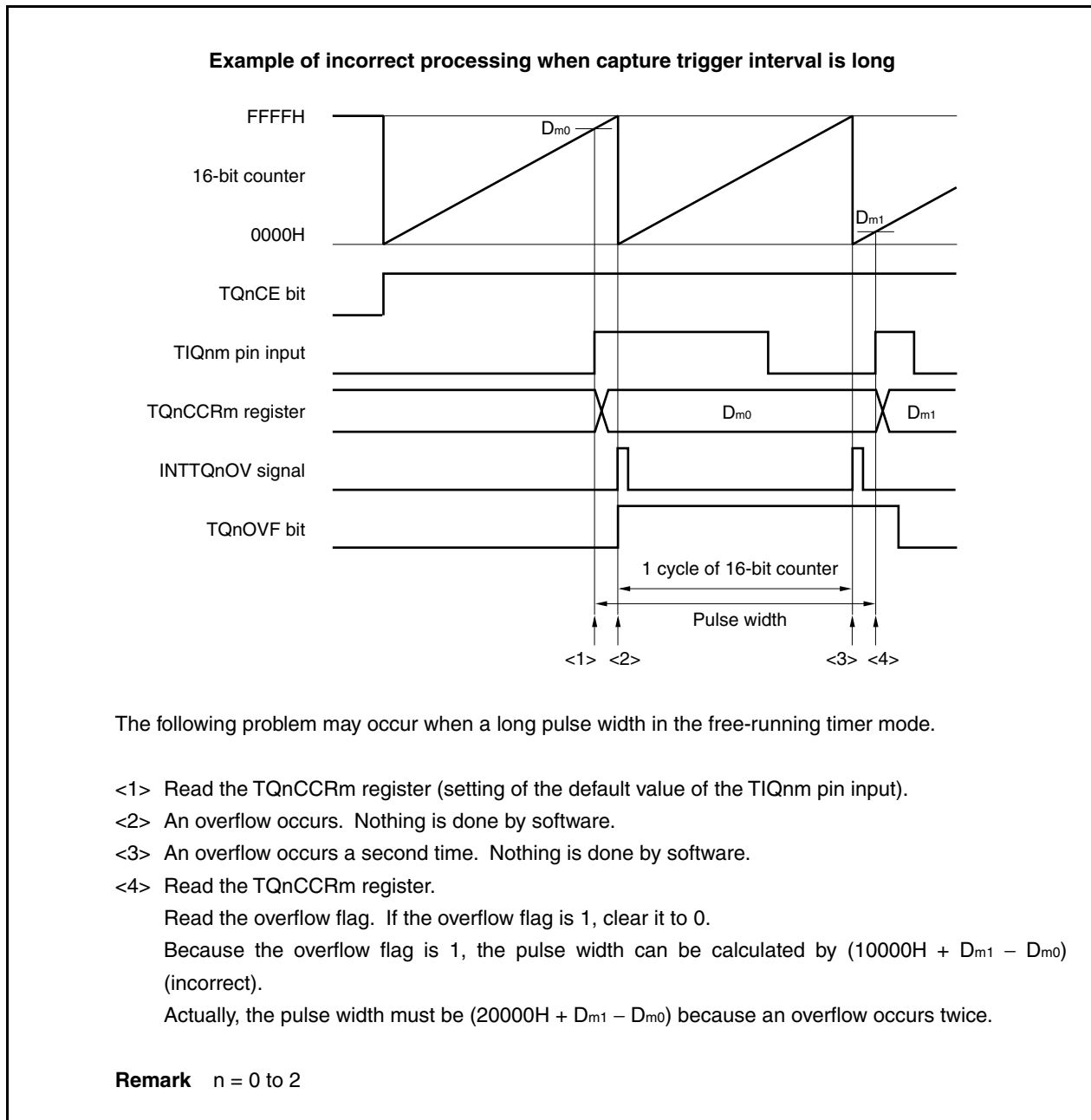
Because the TQnOVF1 flag is 1, the pulse width can be calculated by $(10000H + D_{11} - D_{10})$ (correct).

<6> Same as <3>

Remark $n = 0$ to 2

(d) Processing of overflow if capture trigger interval is long

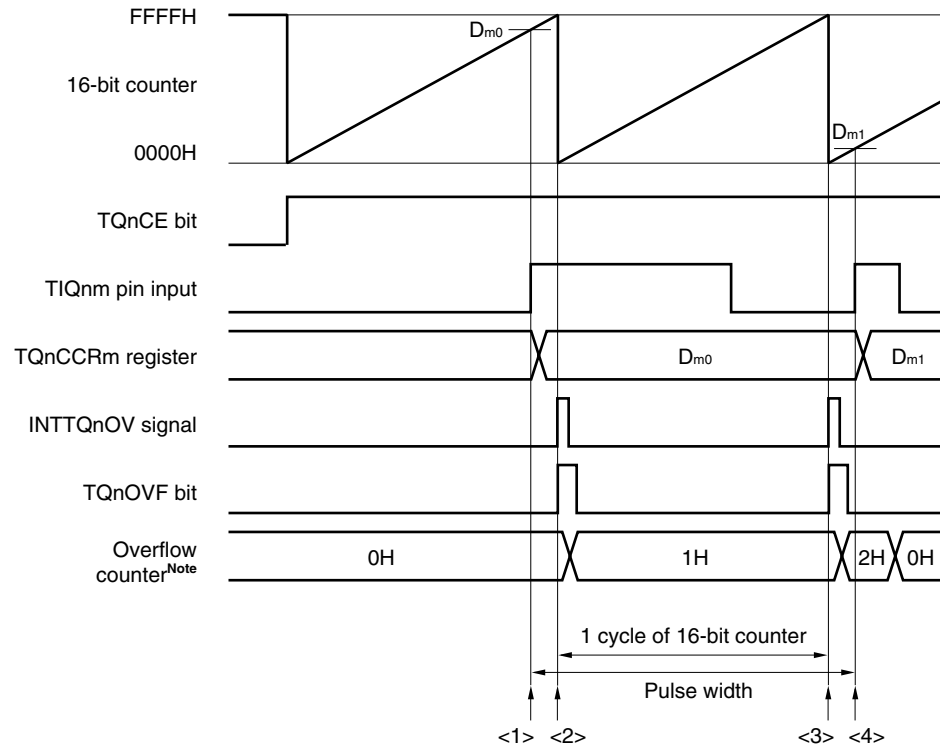
If the pulse width is greater than one cycle of the 16-bit counter, care must be exercised because an overflow may occur more than once from the first capture trigger to the next. First, an example of incorrect processing is shown below.



If an overflow occurs twice or more when the capture trigger interval is long, the correct pulse width may not be obtained.

If the capture trigger interval is long, slow the count clock to lengthen one cycle of the 16-bit counter, or use software. An example of how to use software is shown next.

Example when capture trigger interval is long



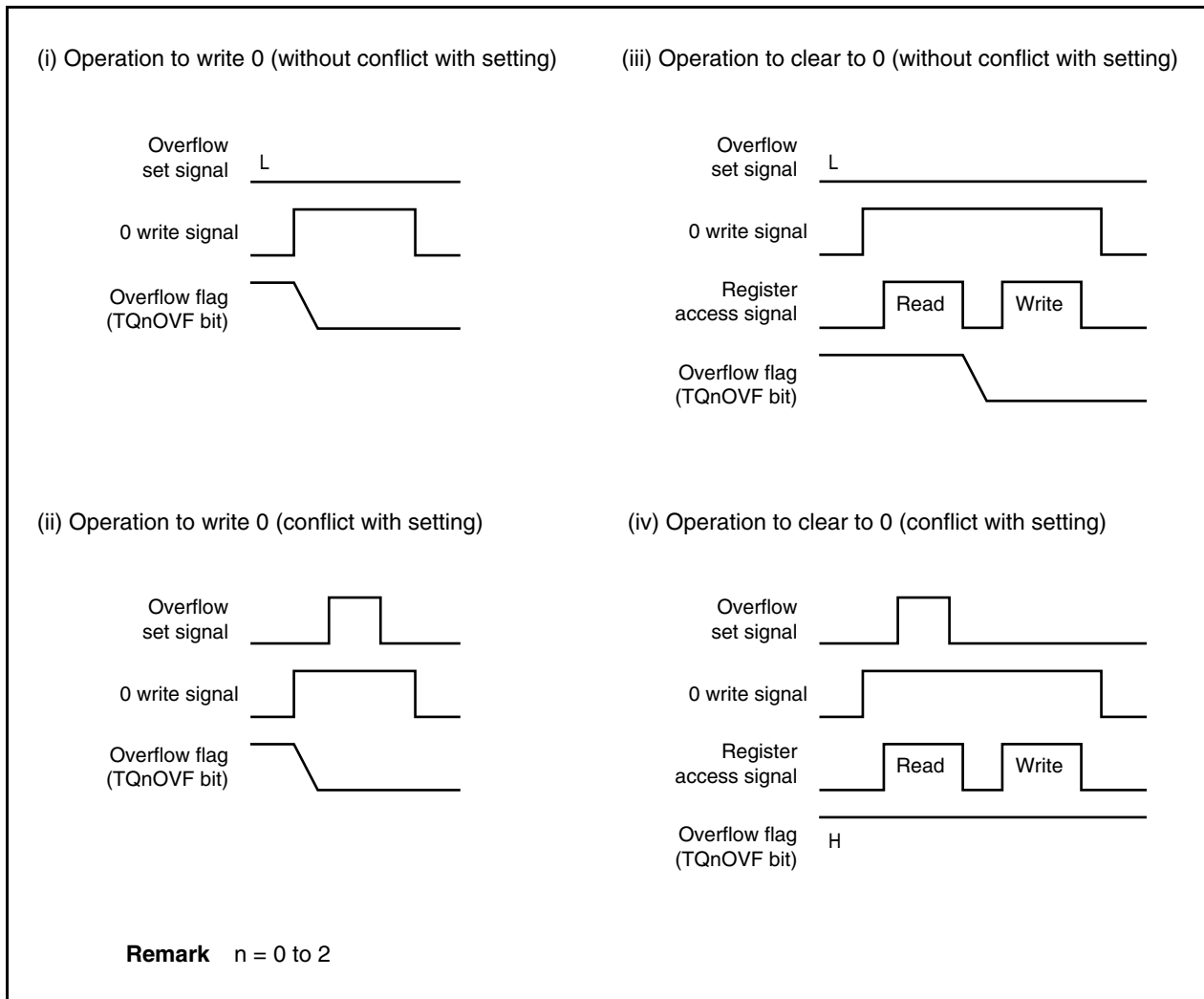
Note The overflow counter is set arbitrarily by software on the internal RAM.

- <1> Read the TQnCCRm register (setting of the default value of the TIQnm pin input).
- <2> An overflow occurs. Increment the overflow counter and clear the overflow flag to 0 in the overflow interrupt servicing.
- <3> An overflow occurs a second time. Increment (+1) the overflow counter and clear the overflow flag to 0 in the overflow interrupt servicing.
- <4> Read the TQnCCRm register.
Read the overflow counter.
→ When the overflow counter is “N”, the pulse width can be calculated by $(N \times 10000H + D_{m1} - D_{m0})$.
In this example, the pulse width is $(20000H + D_{m1} - D_{m0})$ because an overflow occurs twice.
Clear the overflow counter (0H).

Remark n = 0 to 2

(e) Clearing overflow flag

The overflow flag can be cleared to 0 by clearing the TQnOVF bit to 0 with the CLR instruction and by writing 8-bit data (bit 0 is 0) to the TQnOPT0 register. To accurately detect an overflow, read the TQnOVF bit when it is 1, and then clear the overflow flag by using a bit manipulation instruction.



To clear the overflow flag to 0, read the overflow flag to check if it is set to 1, and clear it with the CLR instruction. If 0 is written to the overflow flag without checking if the flag is 1, the set information of overflow may be erased by writing 0 ((ii) in the above chart). Therefore, software may judge that no overflow has occurred even when an overflow actually has occurred.

If execution of the CLR instruction conflicts with occurrence of an overflow when the overflow flag is cleared to 0 with the CLR instruction, the overflow flag remains set even after execution of the clear instruction.

8.5.7 Pulse width measurement mode (TQnMD2 to TQnMD0 bits = 110)

In the pulse width measurement mode, 16-bit timer/event counter Q starts counting when the TQnCTL0.TQnCE bit is set to 1. Each time the valid edge input to the TIQnm pin has been detected, the count value of the 16-bit counter is stored in the TQnCCRm register, and the 16-bit counter is cleared to 0000H.

The interval of the valid edge can be measured by reading the TQnCCRm register after a capture interrupt request signal (INTTQnCCm) occurs.

Select either of the TIQn0 to TIQn3 pins as the capture trigger input pin. Specify “No edge detected” by using the TQnIOC1 register for the unused pins.

When an external clock is used as the count clock, measure the pulse width of the TIQnk pin because the external clock is fixed to the TIQn0 pin. At this time, clear the TQnIOC1.TQnIS1 and TQnIOC1.TQnIS0 bits to 00 (capture trigger input (TIQn0 pin): No edge detected).

Remark m = 0 to 3,
n = 0 to 2,
k = 1 to 3

Figure 8-34. Configuration in Pulse Width Measurement Mode

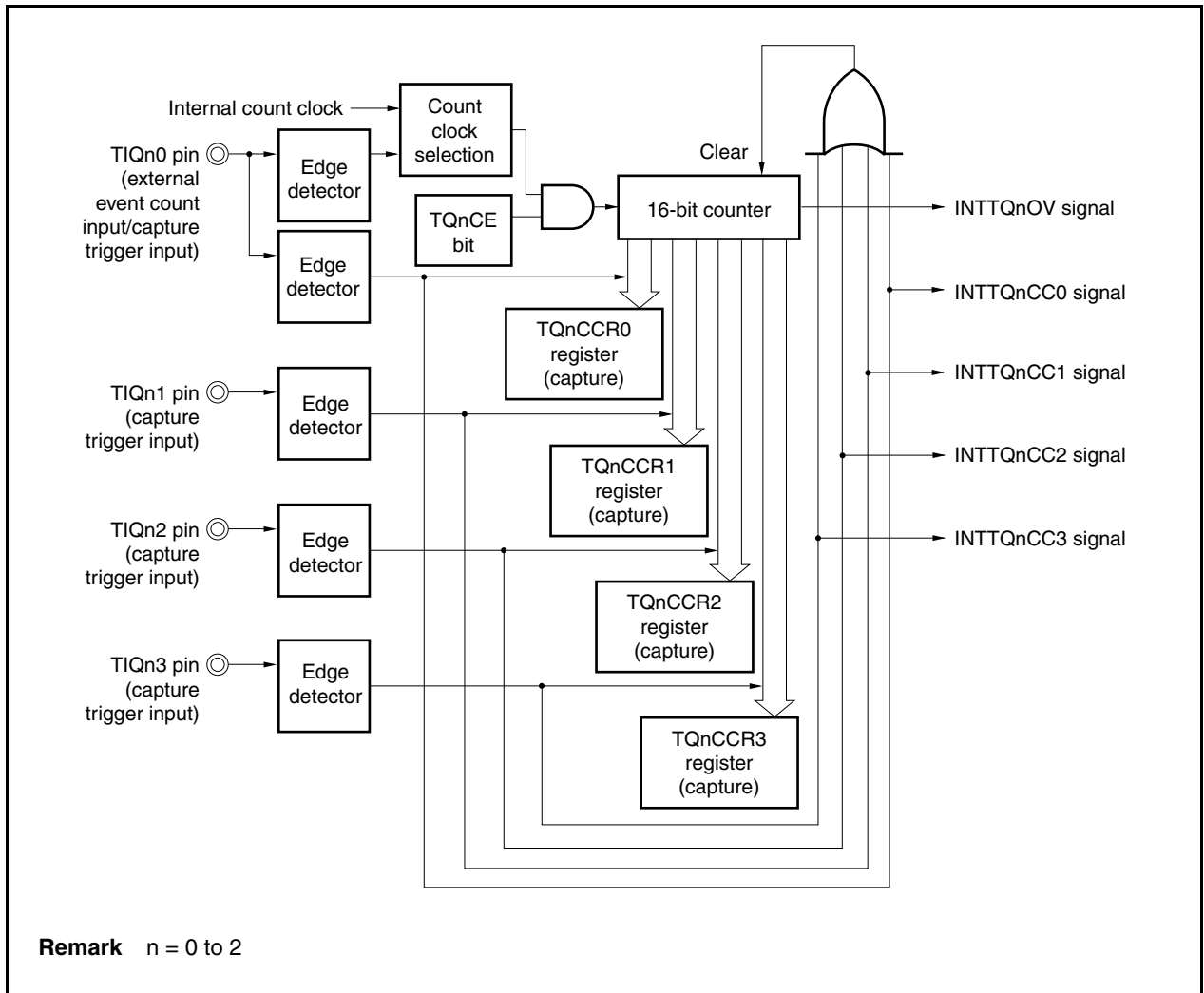
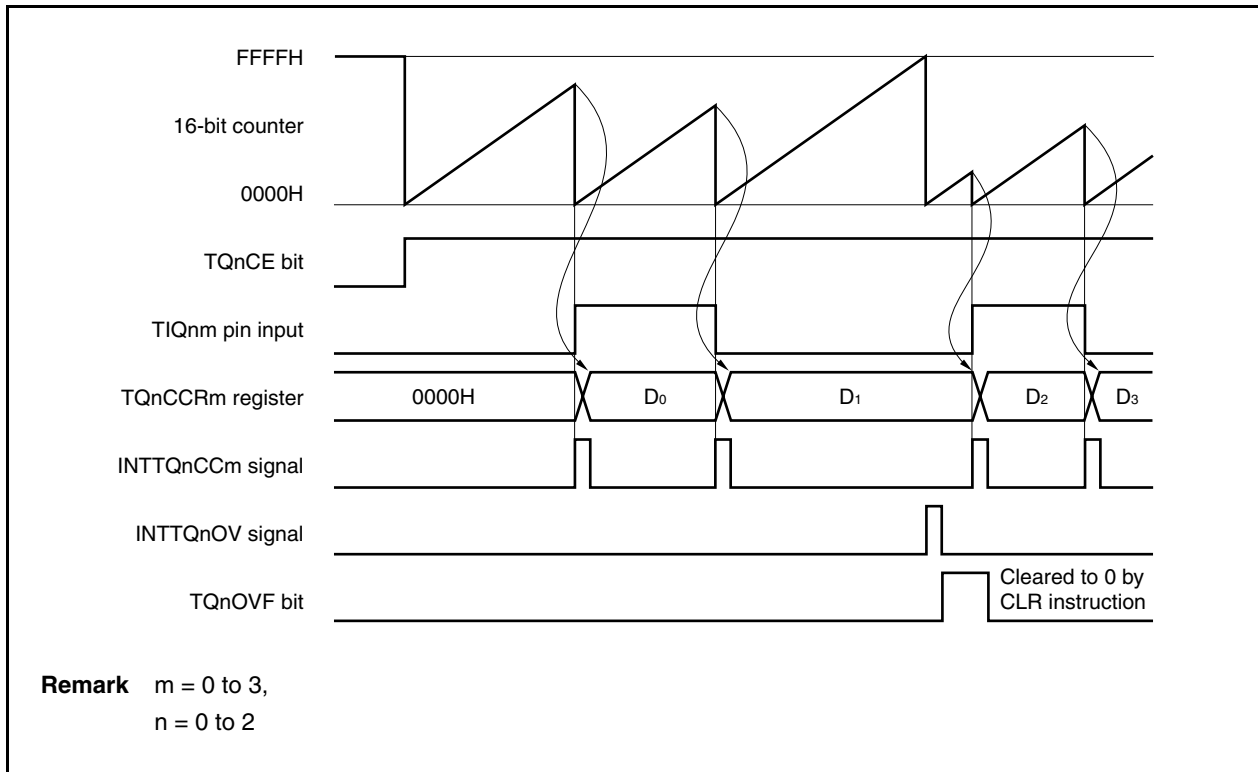


Figure 8-35. Basic Timing in Pulse Width Measurement Mode



When the TQnCE bit is set to 1, the 16-bit counter starts counting. When the valid edge input to the TIQnm pin is later detected, the count value of the 16-bit counter is stored in the TQnCCRm register, the 16-bit counter is cleared to 0000H, and a capture interrupt request signal (INTTQnCCm) is generated.

The pulse width is calculated as follows.

$$\text{Pulse width} = \text{Captured value} \times \text{Count clock cycle}$$

If the valid edge is not input to the TIQnm pin even when the 16-bit counter counted up to FFFFH, an overflow interrupt request signal (INTTQnOV) is generated at the next count clock, and the counter is cleared to 0000H and continues counting. At this time, the overflow flag (TQnOPT0.TQnOVF bit) is also set to 1. Clear the overflow flag to 0 by executing the CLR instruction via software.

If the overflow flag is set to 1, the pulse width can be calculated as follows.

$$\text{Pulse width} = (10000H \times \text{TQnOVF bit set (1) count} + \text{Captured value}) \times \text{Count clock cycle}$$

Remark m = 0 to 3,
n = 0 to 2

Figure 8-36. Register Setting in Pulse Width Measurement Mode (1/2)

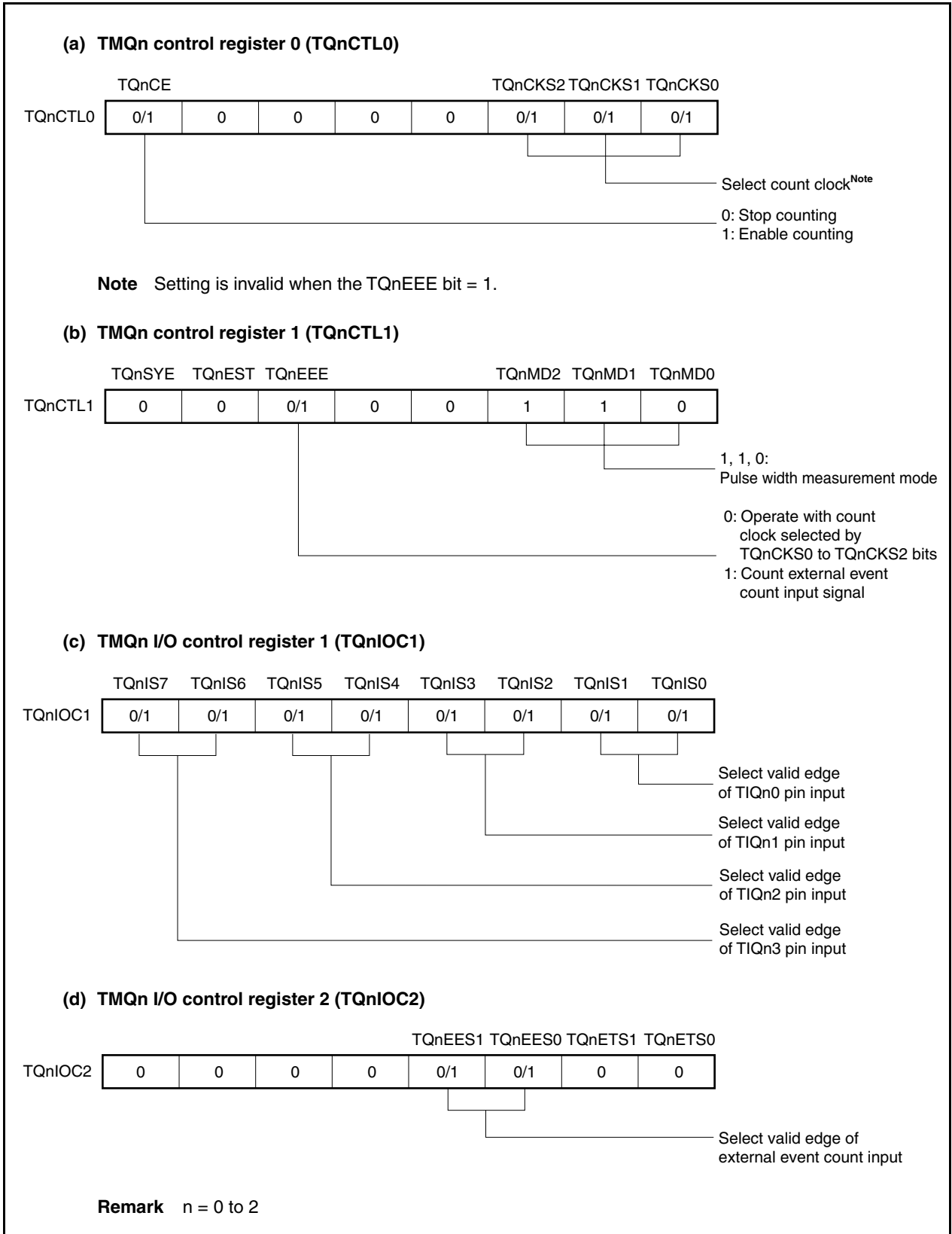
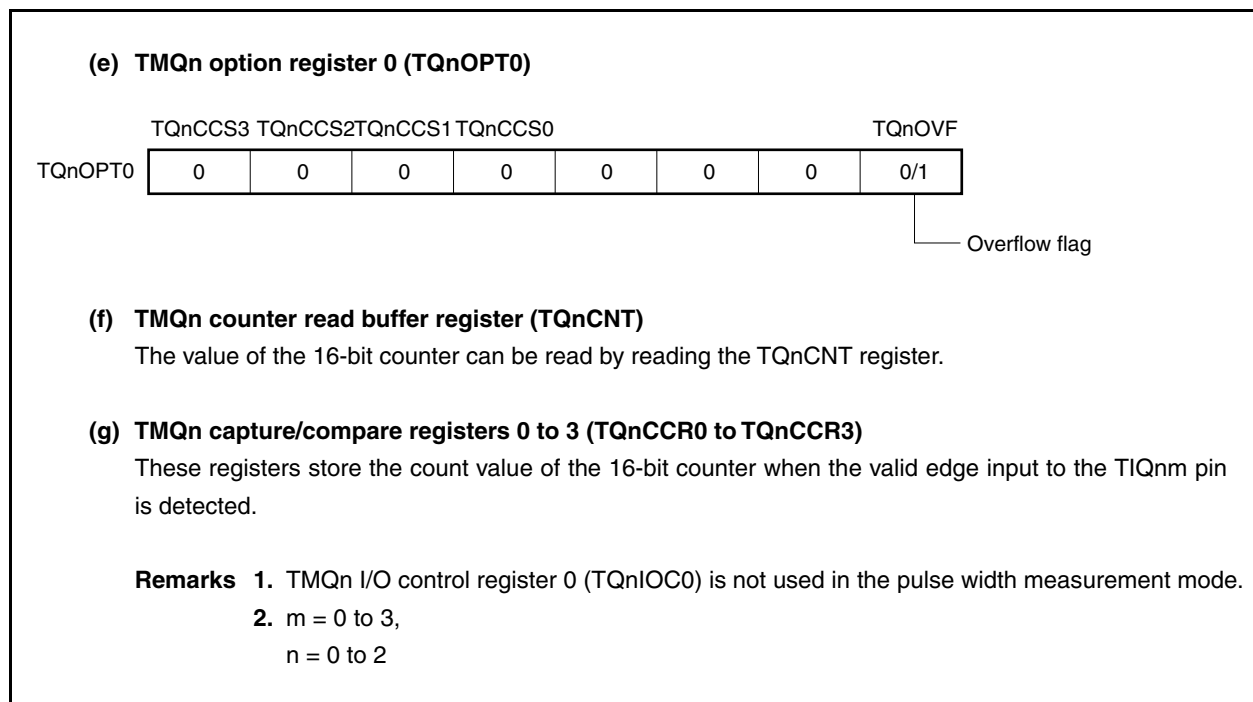
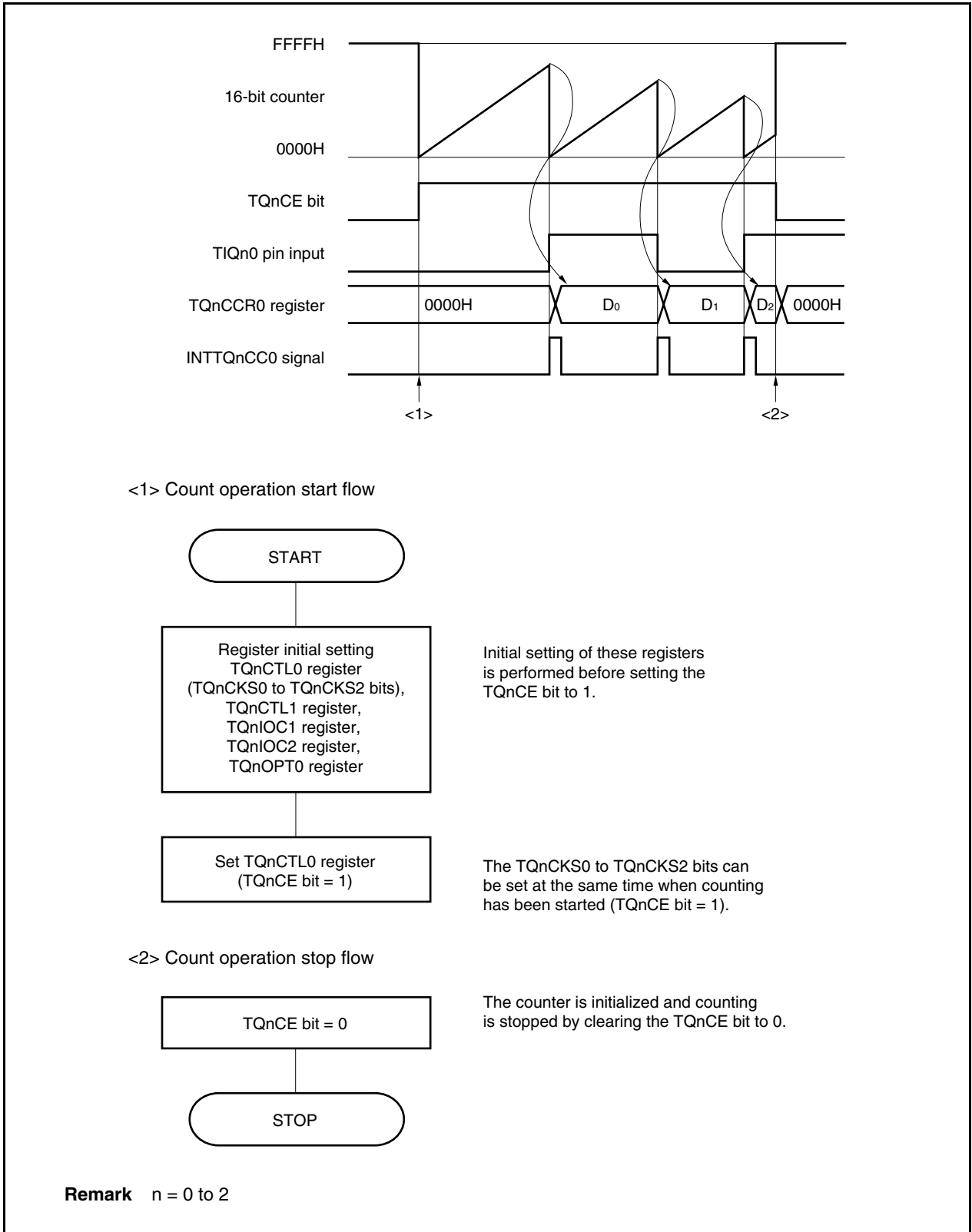


Figure 8-36. Register Setting in Pulse Width Measurement Mode (2/2)



(1) Operation flow in pulse width measurement mode

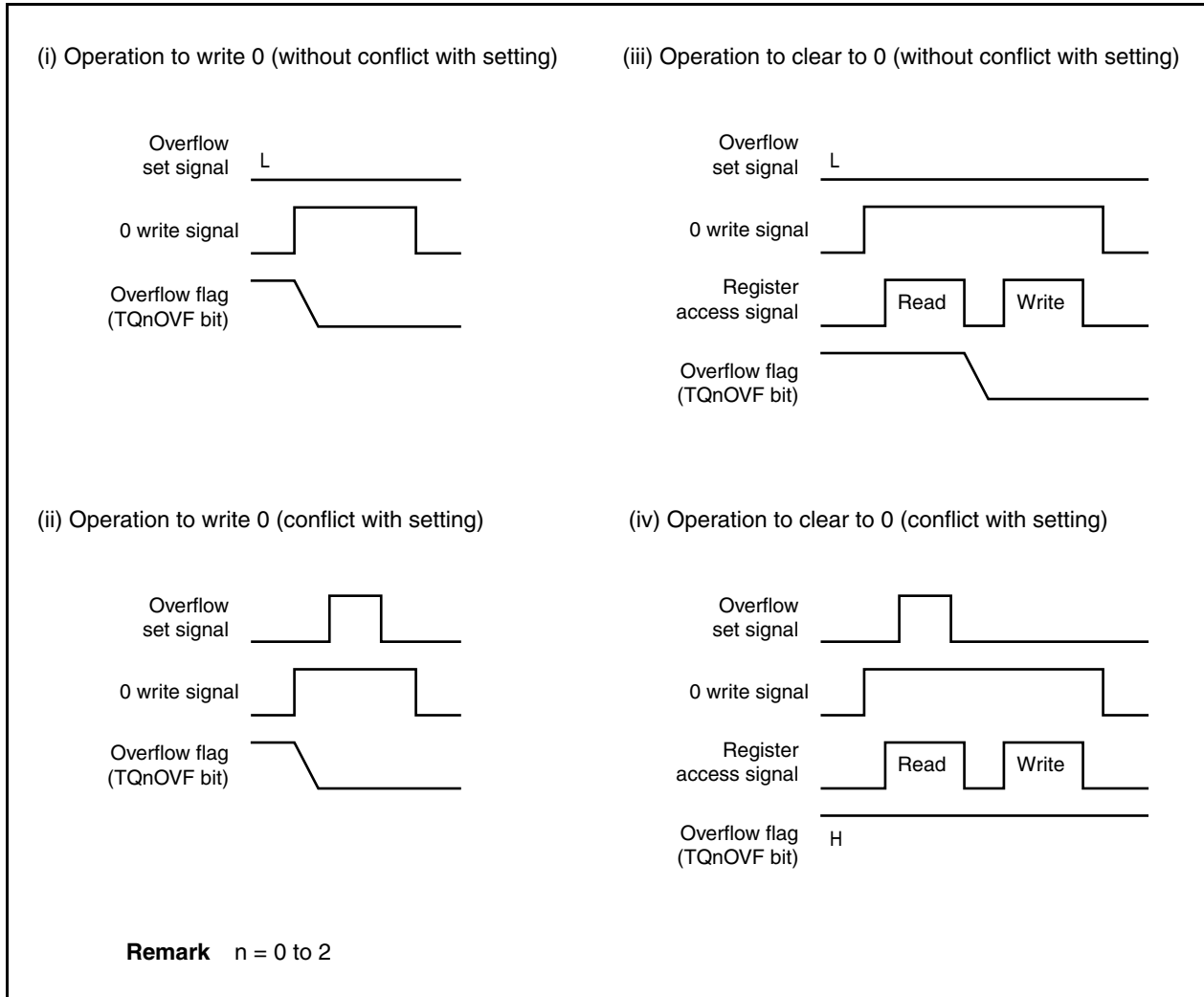
Figure 8-37. Software Processing Flow in Pulse Width Measurement Mode



(2) Operation timing in pulse width measurement mode

(a) Clearing overflow flag

The overflow flag can be cleared to 0 by clearing the TQnOVF bit to 0 with the CLR instruction and by writing 8-bit data (bit 0 is 0) to the TQnOPT0 register. To accurately detect an overflow, read the TQnOVF bit when it is 1, and then clear the overflow flag by using a bit manipulation instruction.



To clear the overflow flag to 0, read the overflow flag to check if it is set to 1, and clear it with the CLR instruction. If 0 is written to the overflow flag without checking if the flag is 1, the set information of overflow may be erased by writing 0 ((ii) in the above chart). Therefore, software may judge that no overflow has occurred even when an overflow actually has occurred.

If execution of the CLR instruction conflicts with occurrence of an overflow when the overflow flag is cleared to 0 with the CLR instruction, the overflow flag remains set even after execution of the clear instruction.

8.5.8 Triangular wave PWM mode (TQnMD2 to TQnMD0 = 111)

In the triangular wave PWM mode, TMQn capture/compare register k (TQnCCRk) is used to set the duty factor, and TMQn capture/compare register 0 (TQnCCR0) is used to set the cycle.

By using these four registers and operating the timer, triangular wave PWM with a variable cycle is output.

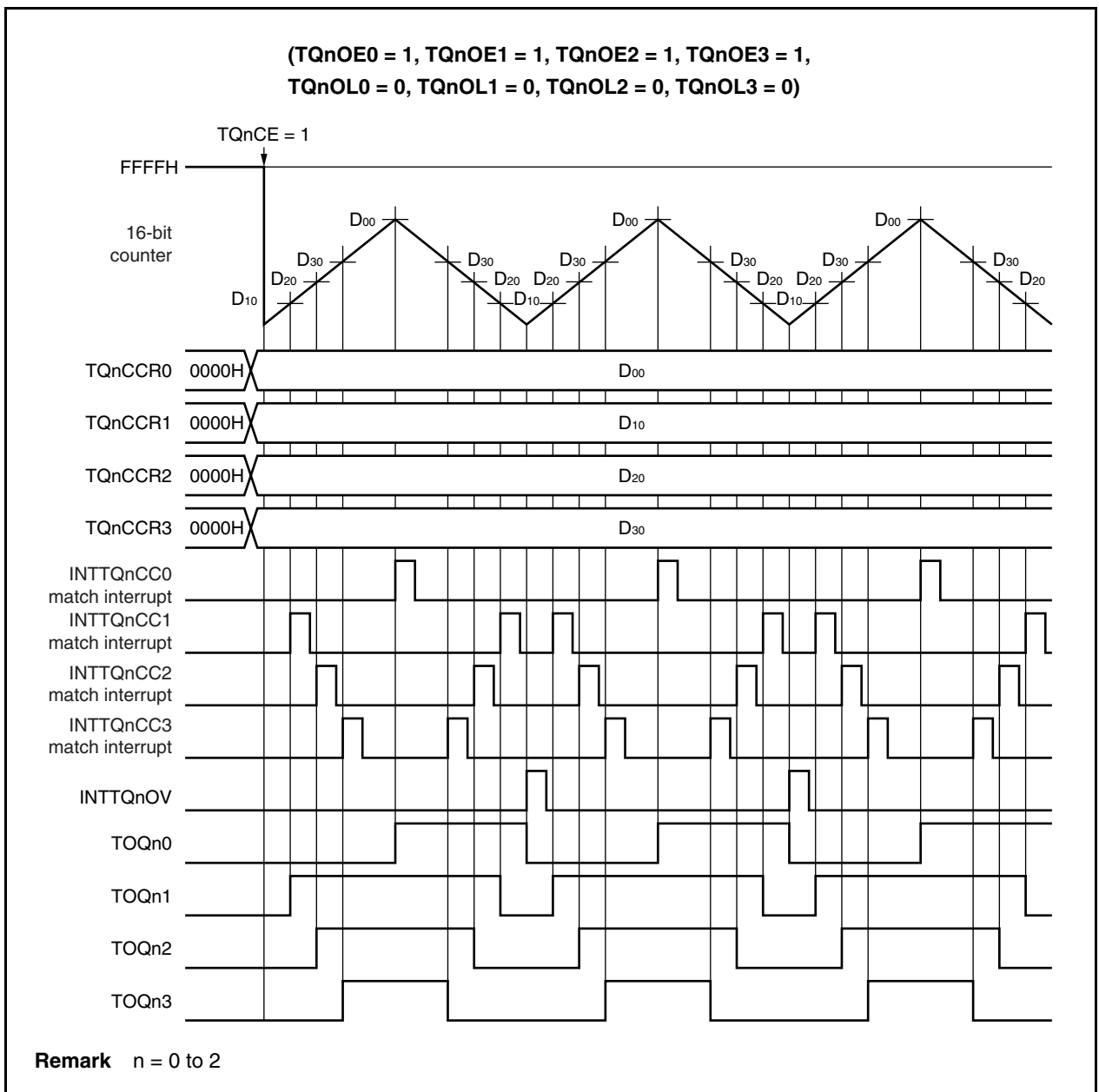
The value of the TQnCCRm register can be rewritten when TQnCE = 1.

To stop timer Q, clear TQnCE to 0. The waveform of PWM is output from the TOQnk pin. The TOQn0 pin produces a toggle output when the value of the 16-bit counter matches the value of the TQnCCR0 register and when the counter underflows.

Caution In the PWM mode, the capture function of the TQnCCRm register cannot be used because this register can be used only as a compare register.

Remark n = 0 to 2, m = 0 to 3, k = 1 to 3

Figure 8-38. Timing of Basic Operation in Triangular Wave PWM Mode



8.5.9 Timer output operations

The following table shows the operations and output levels of the TOQn0 to TOQn3 pins.

Table 8-6. Timer Output Control in Each Mode

Operation Mode	TOQn0 Pin	TOQn1 Pin	TOQn2 Pin	TOQn3 Pin
Interval timer mode	Square wave output			
External event count mode	Square wave output	-		
External trigger pulse output mode	Square wave output	External trigger pulse output	External trigger pulse output	External trigger pulse output
One-shot pulse output mode		One-shot pulse output	One-shot pulse output	One-shot pulse output
PWM output mode		PWM output	PWM output	PWM output
Free-running timer mode	Square wave output (only when compare function is used)			
Pulse width measurement mode	-			
Triangular wave PWM output mode	Square wave output	Triangular PWM output	Triangular PWM output	Triangular PWM output

Table 8-7. Truth Table of TOQn0 to TOQn3 Pins Under Control of Timer Output Control Bits

TQnIOC0.TQnOLm Bit	TQnIOC0.TQnOEm Bit	TQnCTL0.TQnCE Bit	Level of TOQnm Pin
0	0	×	Low-level output
	1	0	Low-level output
		1	Low level immediately before counting, high level after counting is started
1	0	×	High-level output
	1	0	High-level output
		1	High level immediately before counting, low level after counting is started

Remark m = 0 to 3,
n = 0 to 2

8.6 Timer Tuned Operation Function

Timer P and timer Q have a timer tuned operation function.
The timers that can be synchronized are listed in Table 8-8.

Table 8-8. Tuned Operation Mode of Timers

Master Timer	Slave Timer	
TMP0	TMP1	–
TMP2	TMP3	TMQ0
TMQ1	TMQ2	–

- Cautions**
- The tuned operation mode is enabled or disabled by the TPmCTL1.TPmSYE and TQnCTL1.TQnSYE bits. For TMQ2, either or both TMQ3 and TMQ0 can be specified as slaves.
 - Set the tuned operation mode using the following procedure.
 - Set the TPmCTL1.TPmSYE and TQnCTL1.TQnSYE bits of the slave timer to enable the tuned operation.
Set the TPmCTL1.TPmMD2 to TPmCTL1.TPmMD0 and TQnCTL1.TPnMD2 to TQnCTL1.TPnMD0 bits of the slave timer to the free-running mode
 - Set the timer mode by using the TPnCTL1.TPnMD2 to TPnCTL1.TPnMD0 and TQnCTL1.TPnMD2 to TQnCTL1.TPnMD0 bits.
At this time, do not set the TPnCTL1.TPnSYE and TQnCTL1.TQnSYE bits of the master timer.
 - Set the compare register value of the master and slave timers.
 - Set the TPmCTL0.TPmCE and TQnCTL0.TQnCE bits of the slave timer to enable operation on the internal operating clock.
 - Set the TPnCTL0.TPnCE and TQnCTL0.TQnCE bits of the master timer to enable operation on the internal operating clock.

Remark m = 1, 3
n = 0, 2

Tables 8-9 and 8-10 show the timer modes that can be used in the tuned operation mode (√: Settable, ×: Not settable).

Table 8-9. Timer Modes Usable in Tuned Operation Mode

Master Timer	Free-Running Mode	PWM Mode	Triangular Wave PWM Mode
TMP0	√	√	×
TMP2	√	√	×
TMQ1	√	√	√

Table 8-10. Timer Output Functions

Tuned Channel	Timer	Pin	Free-Running Mode		PWM Mode		Triangular Wave PWM Mode	
			Tuning OFF	Tuning ON	Tuning OFF	Tuning ON	Tuning OFF	Tuning ON
Ch0	TMP0 (master)	TOP00	PPG	←	Toggle	←	N/A	←
		TOP01	PPG	←	PWM	←	N/A	←
	TMP1 (slave)	TOP10	PPG	←	Toggle	PWM	N/A	←
		TOP11	PPG	←	PWM	←	N/A	←
Ch1	TMP2 (master)	TOP20	PPG	←	Toggle	←	N/A	←
		TOP21	PPG	←	PWM	←	N/A	←
	TMP3 (slave)	TOP30	PPG	←	Toggle	PWM	N/A	←
		TOP31	PPG	←	PWM	←	N/A	←
	TMQ0 (slave)	TOQ00	PPG	←	Toggle	PWM	Toggle	N/A
		TOQ01 to TOQ03	PPG	←	PWM	←	Triangular wave PWM	N/A
Ch2	TMQ1 (master)	TOQ10	PPG	←	Toggle	←	Toggle	←
		TOQ11 to TOQ13	PPG	←	PWM	←	Triangular wave PWM	←
	TMQ2 (slave)	TOQ20	PPG	←	Toggle	PWM	Toggle	Triangular wave PWM
		TOQ21 to TOQ23	PPG	←	PWM	←	Triangular wave PWM	←

Remark The timing of transmitting data from the compare register of the master timer to the compare register of the slave timer is as follows.

PPG: CPU write timing

Toggle, PWM, triangular wave PWM: Timing at which timer counter and compare register match TOPn0 and TOQm0 (n = 0 to 3, m = 0 to 2)

Figure 8-39. Tuned Operation Image (TMP2, TMP3, TMQ0)

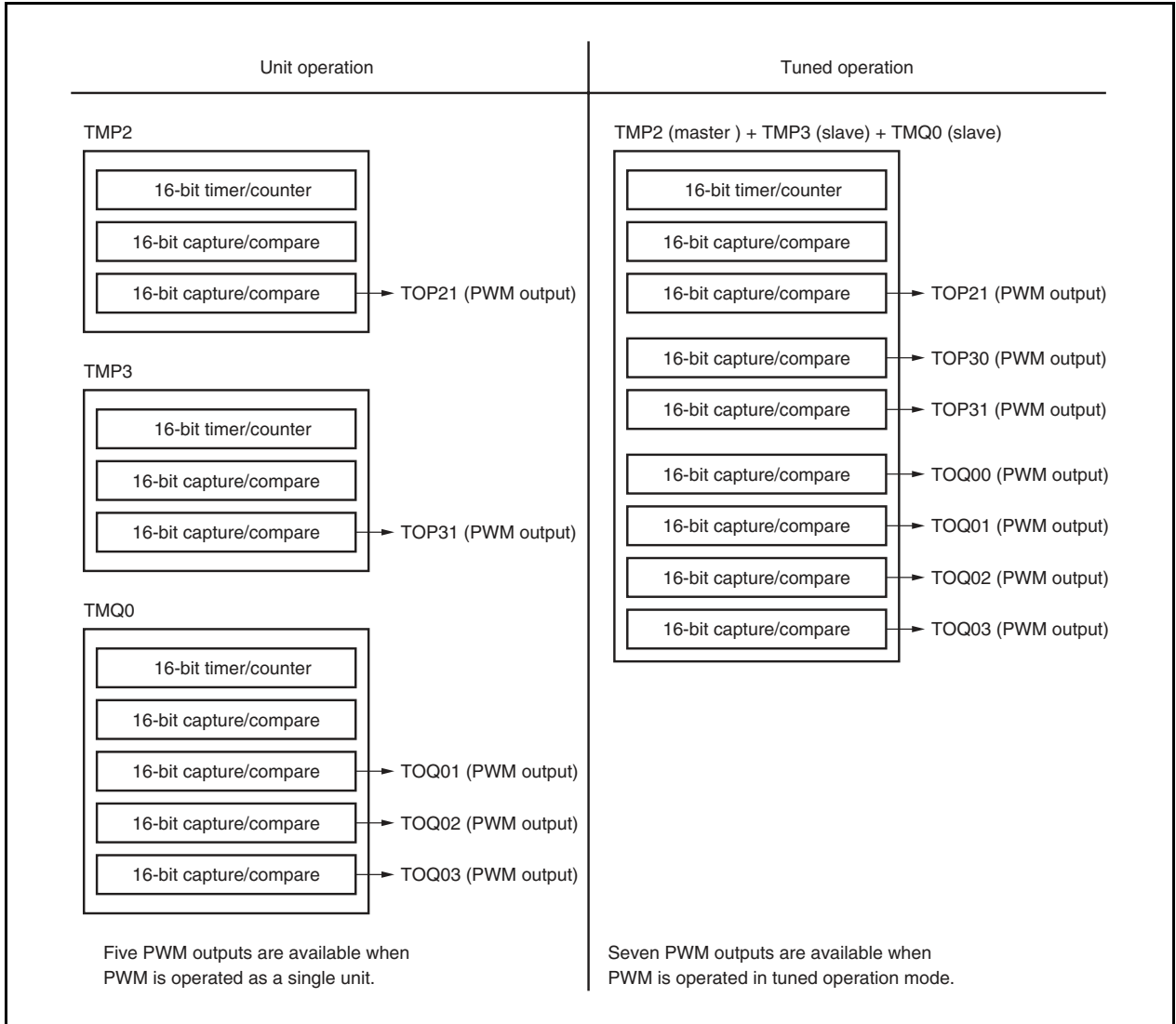
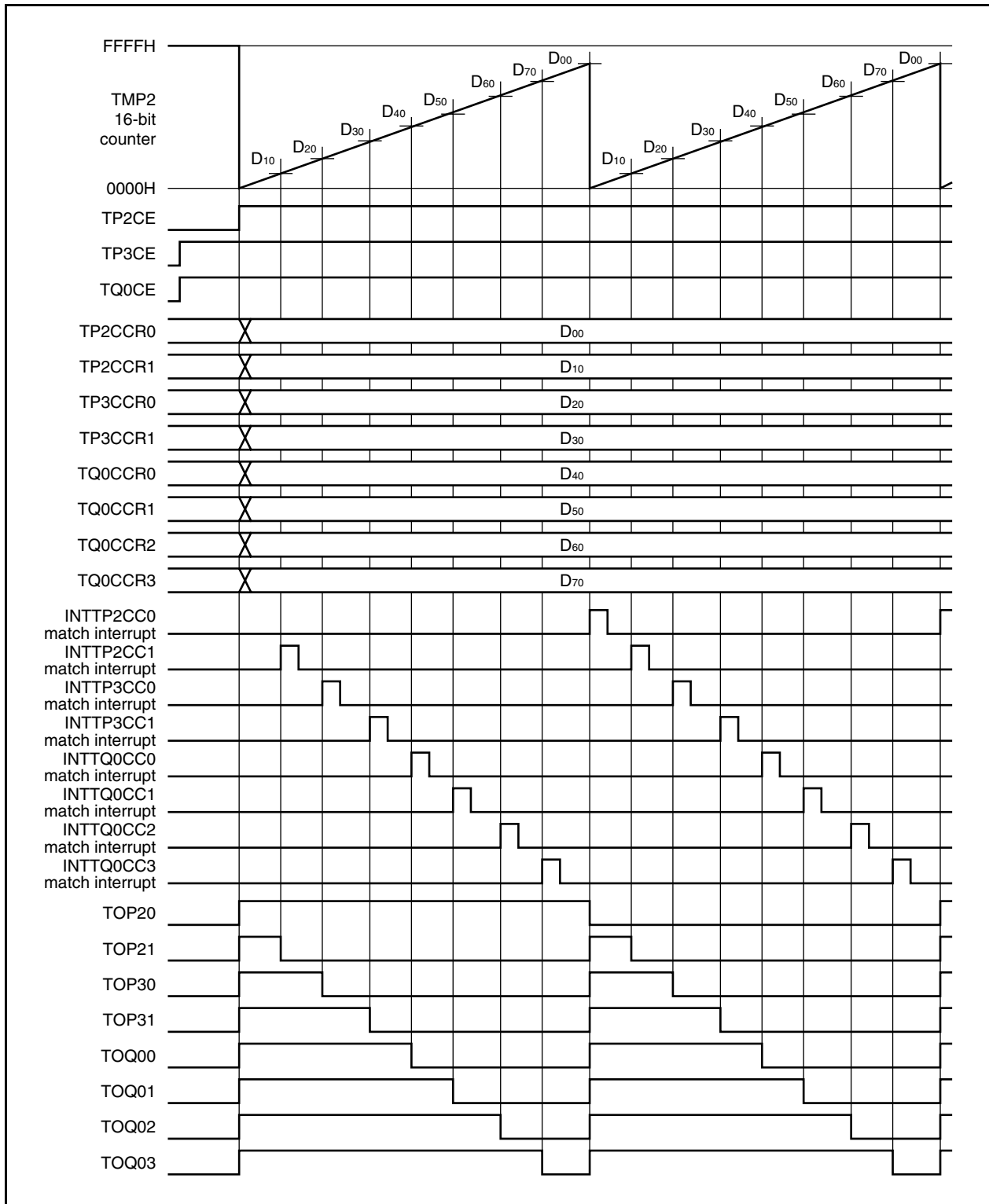


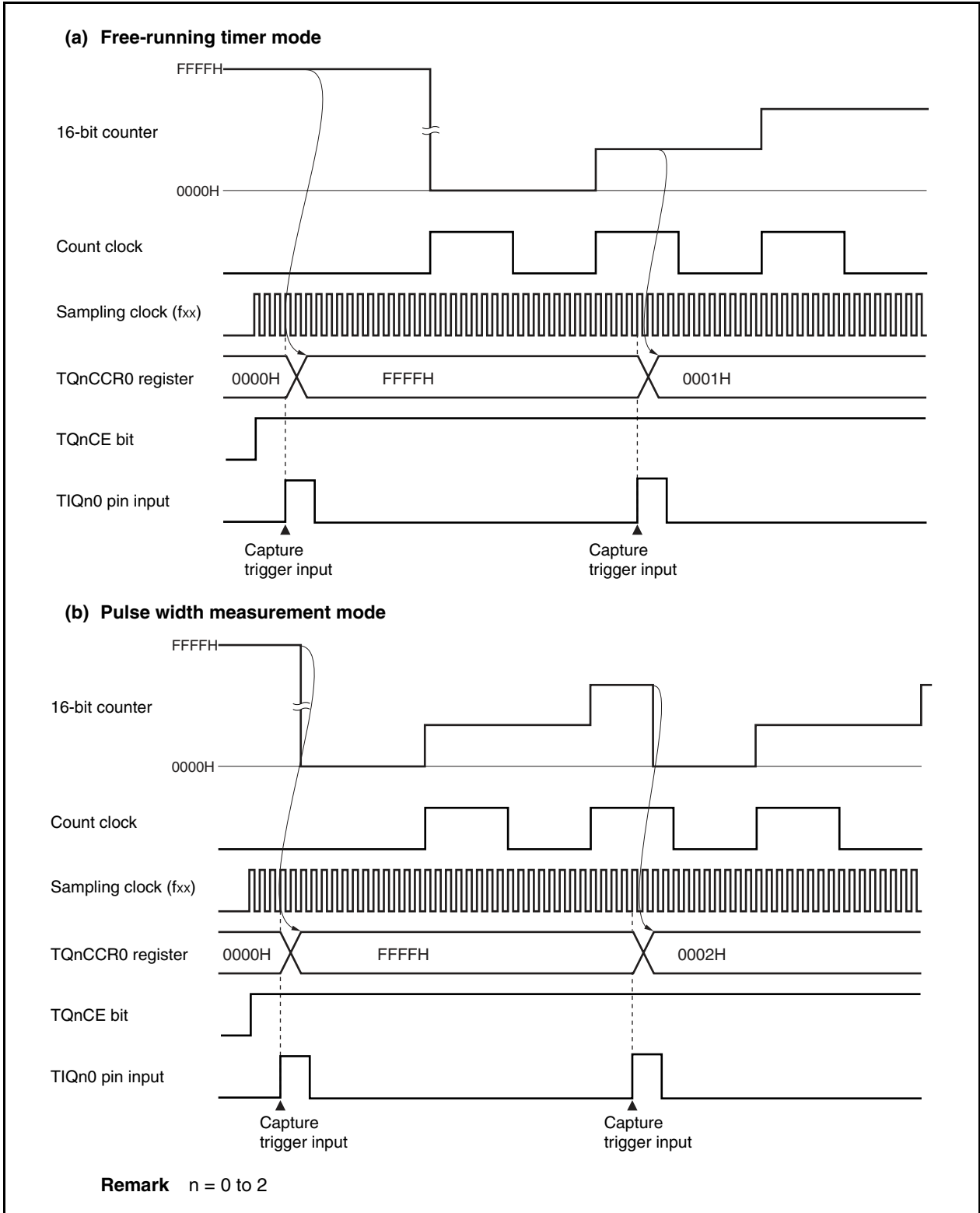
Figure 8-40. Basic Operation Timing of Tuned PWM Function (TMP2, TMP3, TMQ0)



8.7 Cautions

(1) Capture operation

When the capture operation is used and a slow clock is selected as the count clock, FFFFH, not 0000H, may be captured in the TQnCCR0, TQnCCR1, TQnCCR2, and TQnCCR3 registers if the capture trigger is input immediately after the TQnCE bit is set to 1.



CHAPTER 9 16-BIT INTERVAL TIMER M (TMM)

9.1 Overview

- Interval function
- 8 clocks selectable
- 16-bit counter × 1
(The 16-bit counter cannot be read during timer count operation.)
- Compare register × 1
(The compare register cannot be written during timer counter operation.)
- Compare match interrupt × 1

Timer M supports only the clear & start mode. The free-running timer mode is not supported.

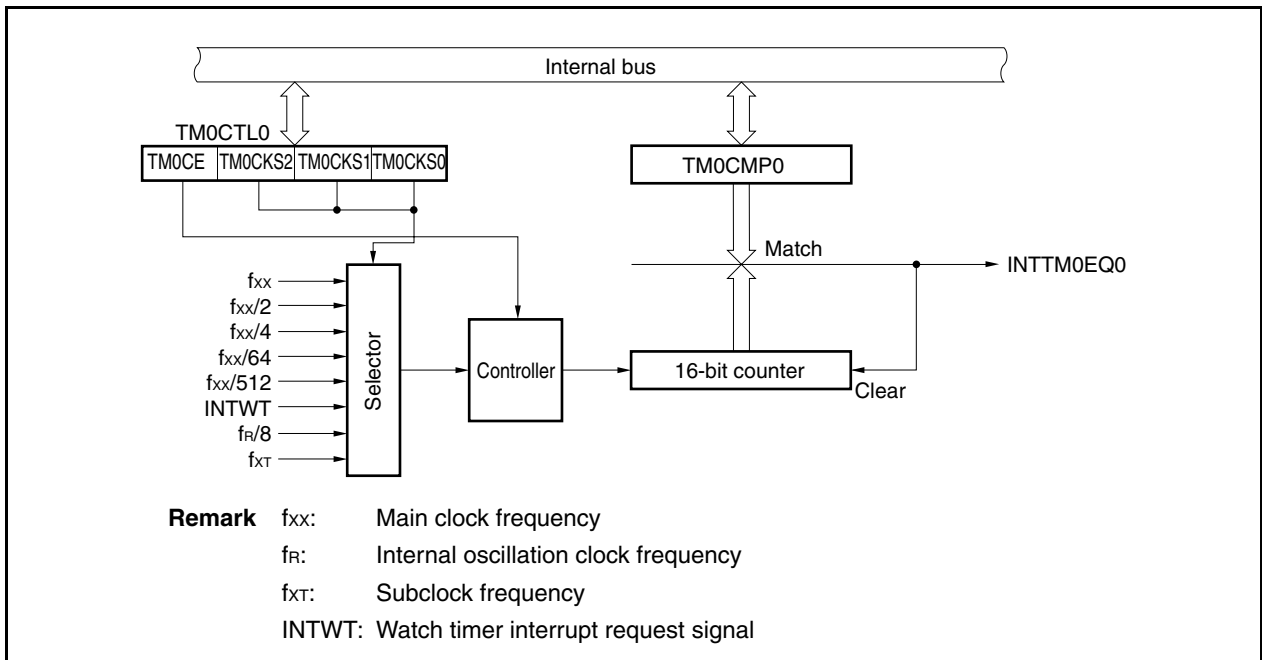
9.2 Configuration

TMM0 includes the following hardware.

Table 9-1. Configuration of TMM0

Item	Configuration
Timer register	16-bit counter
Register	TMM0 compare register 0 (TM0CMP0)
Control register	TMM0 control register 0 (TM0CTL0)

Figure 9-1. Block Diagram of TMM0

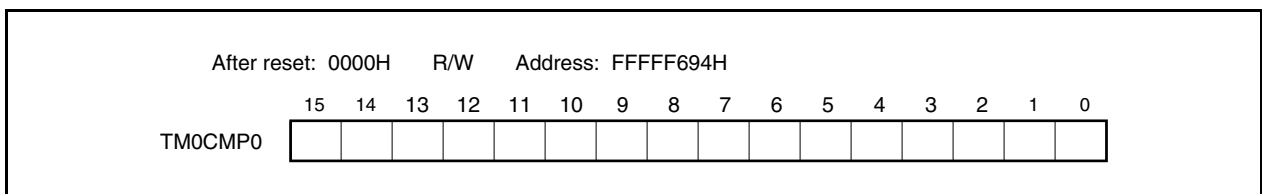


(1) 16-bit counter

This is a 16-bit counter that counts the internal clock.
The 16-bit counter cannot be read or written.

(2) TMM0 compare register 0 (TM0CMP0)

The TM0CMP0 register is a 16-bit compare register.
This register can be read or written in 16-bit units.
Reset sets this register to 0000H.
The same value can always be written to the TM0CMP0 register by software.
TM0CMP0 register rewrite is prohibited when the TM0CTL0.TM0CE bit = 1.



9.3 Register

(1) TMM0 control register (TM0CTL0)

The TM0CTL0 register is an 8-bit register that controls the TMM0 operation.

This register can be read or written in 8-bit or 1-bit units.

Reset sets this register to 00H.

The same value can always be written to the TM0CTL0 register by software. Rewriting this register, except the TM0CE bit, is prohibited while the timer is operating.

After reset: 00H R/W Address: FFFFF690H

	7	6	5	4	3	2	1	0
TM0CTL0	TM0CE	0	0	0	0	TM0CKS2	TM0CKS1	TM0CKS0

TM0CE	Internal clock operation enable/disable specification
0	TMM0 operation disabled (16-bit counter reset asynchronously). Operation clock application stopped.
1	TMM0 operation enabled. Operation clock application started. TMM0 operation started.
The internal clock control and internal circuit reset for TMM0 are performed asynchronously with the TM0CE bit. When the TM0CE bit is cleared to 0, the internal clock of TMM0 is disabled (fixed to low level) and 16-bit counter is reset asynchronously.	

TM0CKS2	TM0CKS1	TM0CKS0	Count clock selection
0	0	0	f_{xx}
0	0	1	$f_{xx}/2$
0	1	0	$f_{xx}/4$
0	1	1	$f_{xx}/64$
1	0	0	$f_{xx}/512$
1	0	1	INTWT
1	1	0	$f_R/8$
1	1	1	f_{XT}

- Cautions**
1. Set the TM0CKS2 to TM0CKS0 bits when TM0CE bit = 0.
When changing the value of TM0CE from 0 to 1, it is not possible to set the value of the TM0CKS2 to TM0CKS0 bits simultaneously.
 2. Be sure to clear bits 3 to 6 to "0".

Remark

f_{xx} : Main clock frequency
 f_R : Internal oscillation clock frequency
 f_{XT} : Subclock frequency

9.4 Operation

Caution Do not set the TM0CMP0 register to FFFFH.

9.4.1 Interval timer mode

In the interval timer mode, an interrupt request signal (INTTM0EQ0) is generated at the specified interval if the TM0CTL0.TM0CE bit is set to 1.

Figure 9-2. Configuration of Interval Timer

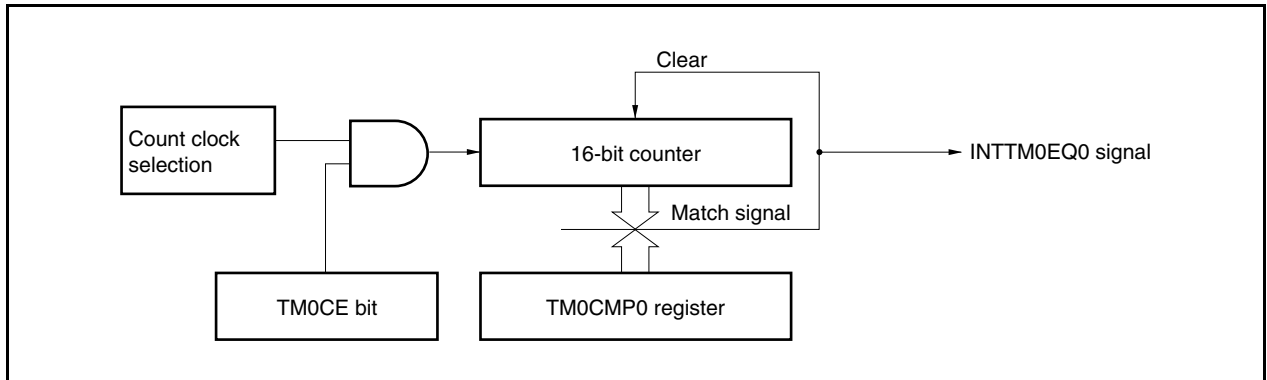
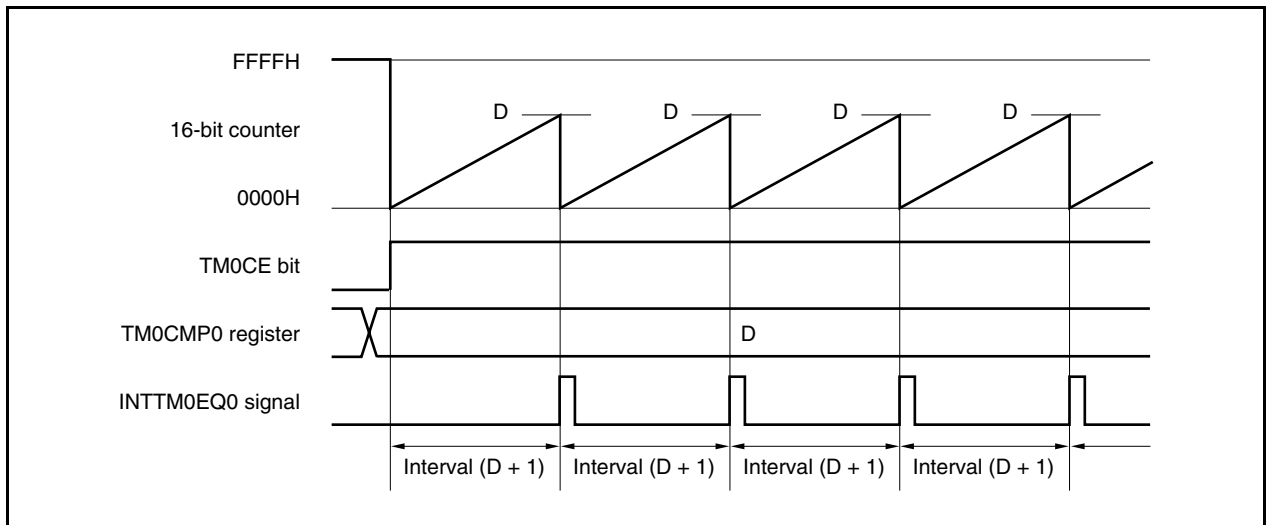


Figure 9-3. Basic Timing of Operation in Interval Timer Mode



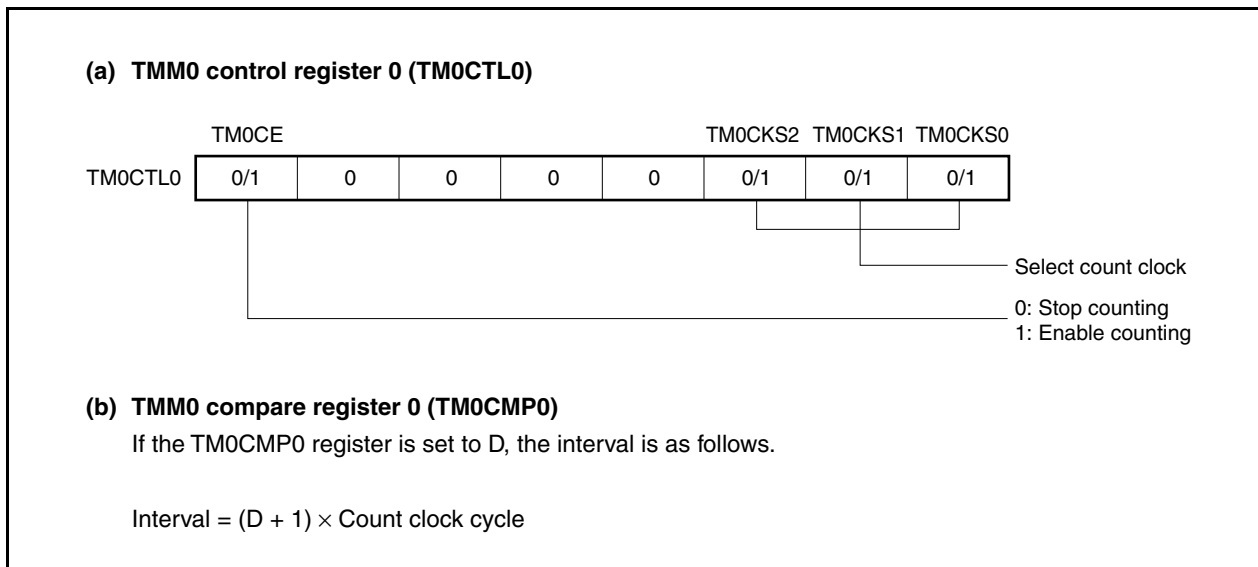
When the TM0CE bit is set to 1, the value of the 16-bit counter is cleared from FFFFH to 0000H in synchronization with the count clock, and the counter starts counting.

When the count value of the 16-bit counter matches the value of the TM0CMP0 register, the 16-bit counter is cleared to 0000H and a compare match interrupt request signal (INTTM0EQ0) is generated.

The interval can be calculated by the following expression.

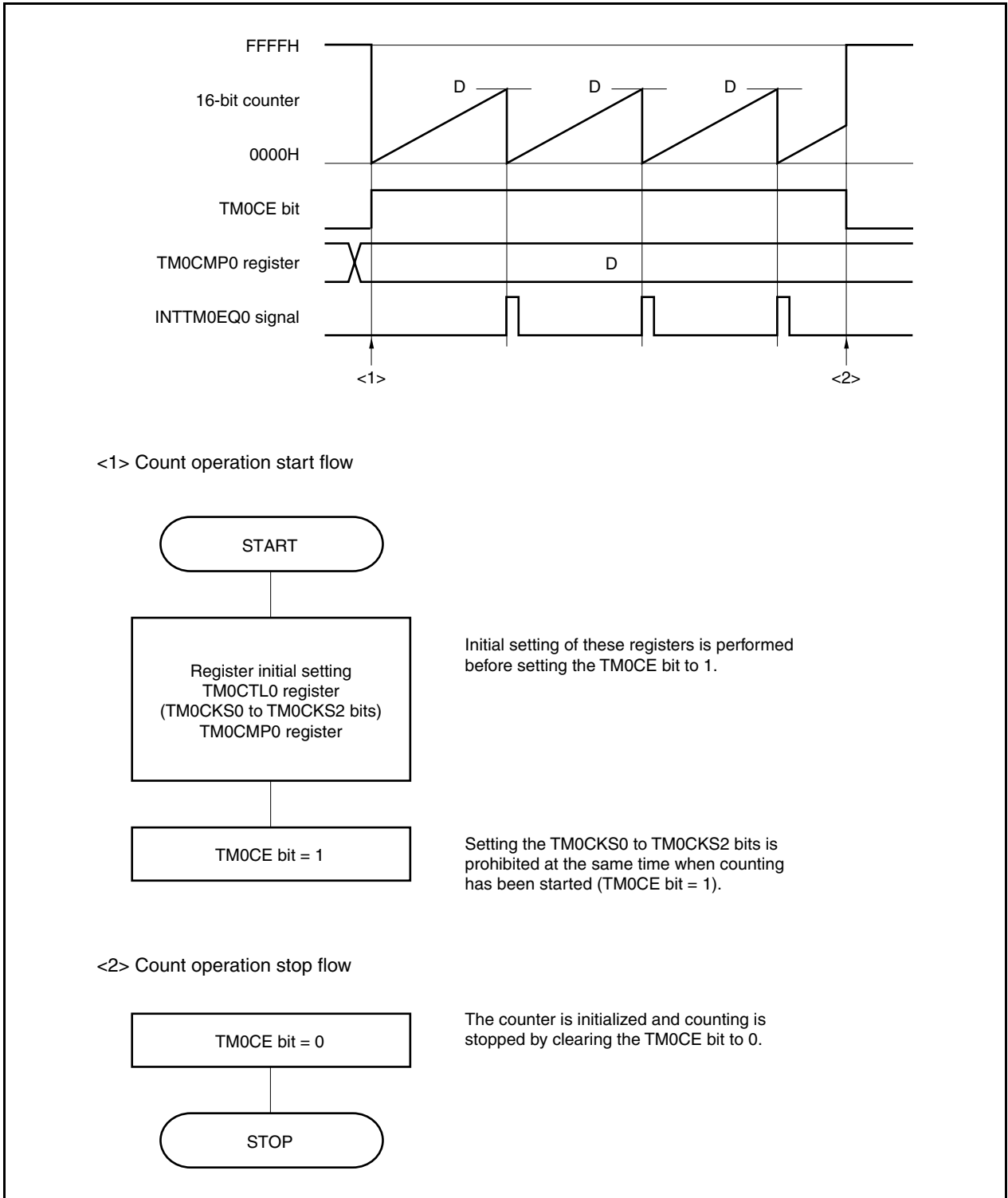
$$\text{Interval} = (\text{Set value of TM0CMP0 register} + 1) \times \text{Count clock cycle}$$

Figure 9-4. Register Setting for Interval Timer Mode Operation



(1) Interval timer mode operation flow

Figure 9-5. Software Processing Flow in Interval Timer Mode

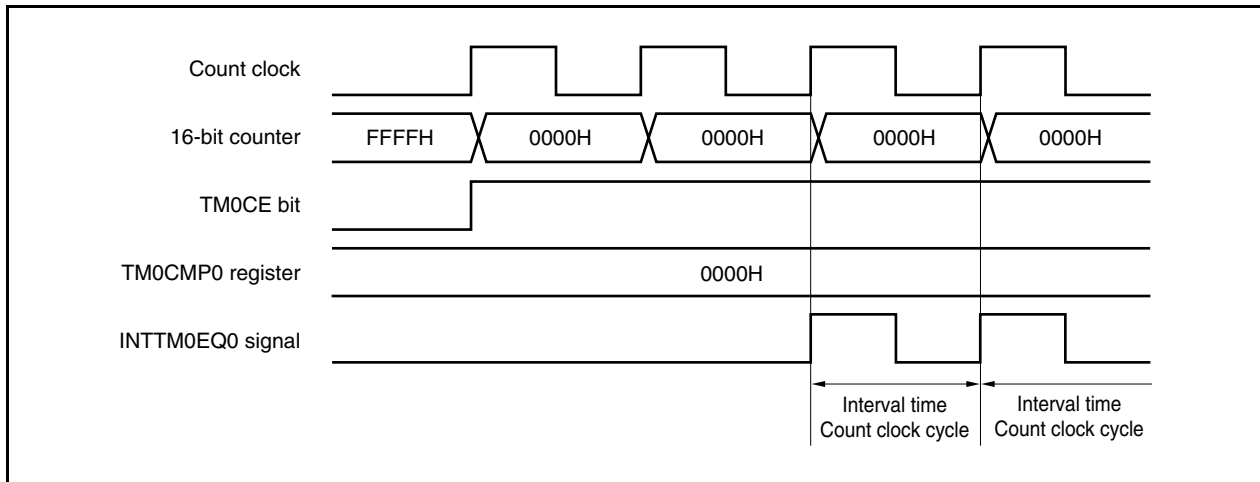


(2) Interval timer mode operation timing

Caution Do not set the TM0CMP0 register to FFFFH.

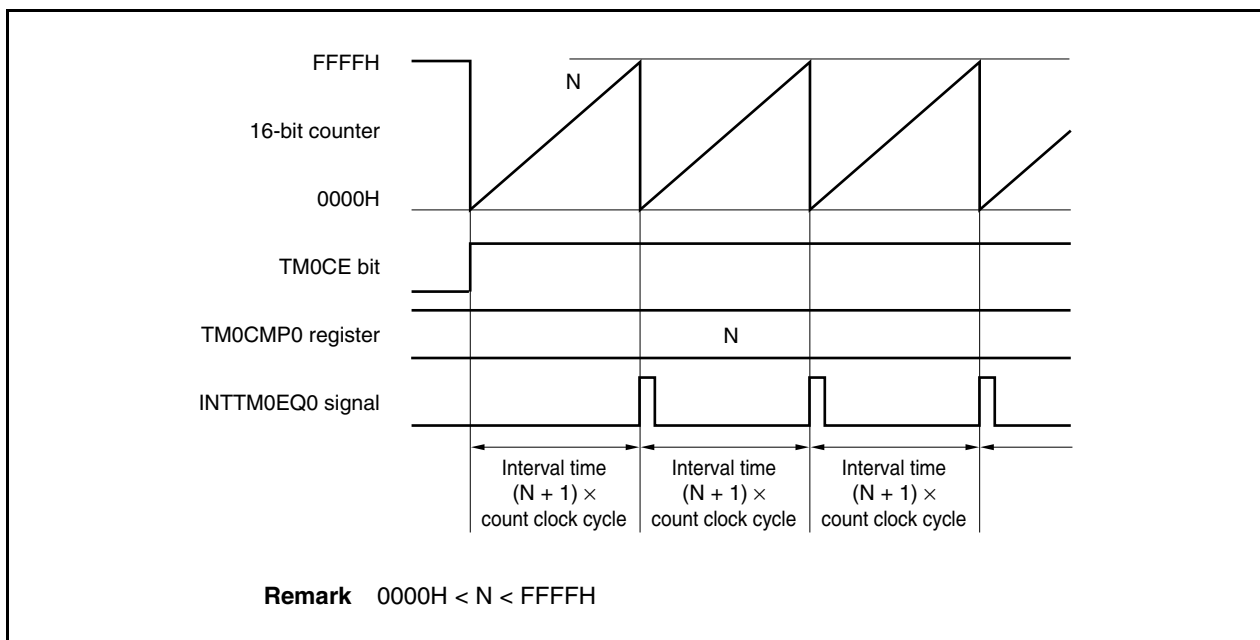
(a) Operation if TM0CMP0 register is set to 0000H

If the TM0CMP0 register is set to 0000H, the INTTM0EQ0 signal is generated at each count clock. The value of the 16-bit counter is always 0000H.



(b) Operation if TM0CMP0 register is set to N

If the TM0CMP0 register is set to N, the 16-bit counter counts up to N. The counter is cleared to 0000H in synchronization with the next count-up timing and the INTTM0EQ0 signal is generated.



9.4.2 Cautions

- (1) It takes the 16-bit counter up to the following time to start counting after the TMOCTL0.TMOCE bit is set to 1, depending on the count clock selected.

Selected Count Clock	Maximum Time Before Counting Start
f_{xx}	$2/f_{xx}$
$f_{xx}/2$	$6/f_{xx}$
$f_{xx}/4$	$24/f_{xx}$
$f_{xx}/64$	$128/f_{xx}$
$f_{xx}/512$	$1024/f_{xx}$
INTWT	Second rising edge of INTWT signal
$f_R/8$	$16/f_R$
f_{XT}	$2/f_{XT}$

- (2) Rewriting the TMOCMP0 and TMOCTL0 registers is prohibited while TMM0 is operating. If these registers are rewritten while the TMOCE bit is 1, the operation cannot be guaranteed. If they are rewritten by mistake, clear the TMOCTL0.TMOCE bit to 0, and re-set the registers.

CHAPTER 10 WATCH TIMER FUNCTIONS

10.1 Functions

The watch timer has the following functions.

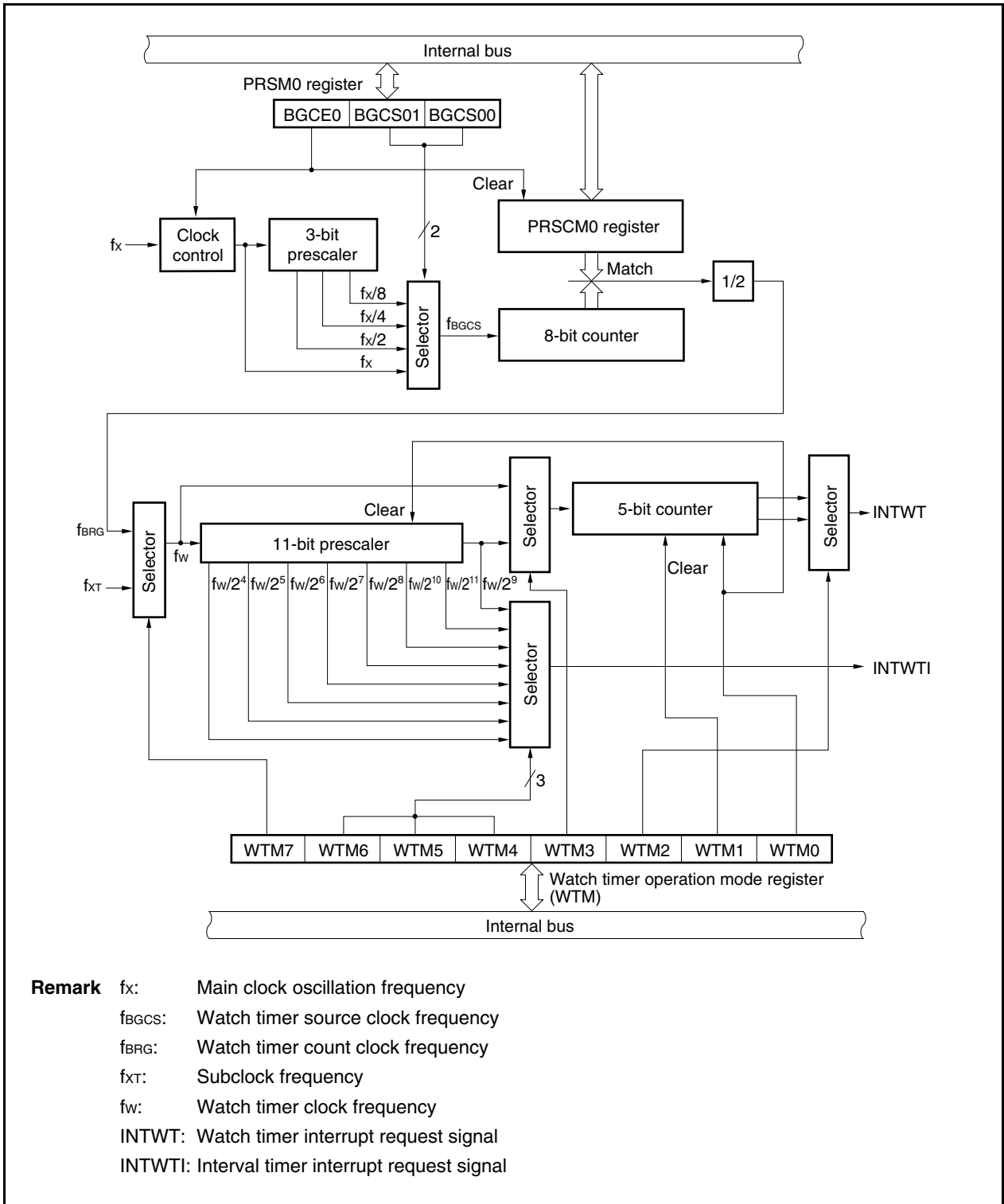
- Watch timer: An interrupt request signal (INTWT) is generated at intervals of 0.5 or 0.25 seconds by using the main clock or subclock.
- Interval timer: An interrupt request signal (INTWTI) is generated at set intervals.

The watch timer and interval timer functions can be used at the same time.

10.2 Configuration

The block diagram of the watch timer is shown below.

Figure 10-1. Block Diagram of Watch Timer



(1) Clock control

This block controls supplying and stopping the operating clock (f_x) when the watch timer operates on the main clock.

(2) 3-bit prescaler

This prescaler divides f_x to generate $f_x/2$, $f_x/4$, or $f_x/8$.

(3) 8-bit counter

This 8-bit counter counts the source clock (f_{BGS}).

(4) 11-bit prescaler

This prescaler divides f_w to generate a clock of $f_w/2^4$ to $f_w/2^{11}$.

(5) 5-bit counter

This counter counts f_w or $f_w/2^9$, and generates a watch timer interrupt request signal (INTWT) at intervals of $2^4/f_w$, $2^5/f_w$, $2^{13}/f_w$, or $2^{14}/f_w$.

(6) Selector

The watch timer has the following five selectors.

- Selector that selects one of f_x , $f_x/2$, $f_x/4$, or $f_x/8$ as the source clock of the watch timer
- Selector that selects the main clock (f_x) or subclock (f_{xT}) as the clock of the watch timer
- Selector that selects f_w or $f_w/2^9$ as the count clock frequency of the 5-bit counter
- Selector that selects $2^4/f_w$, $2^{13}/f_w$, $2^5/f_w$, or $2^{14}/f_w$ as the INTWT signal generation time interval
- Selector that selects $2^4/f_w$ to $2^{11}/f_w$ as the interval timer interrupt request signal (INTWTI) generation time interval

(7) PRSCM register

This is an 8-bit compare register that sets the interval time.

(8) PRSM register

This register controls clock supply to the watch timer.

(9) WTM register

This is an 8-bit register that controls the operation of the watch timer/interval timer, and sets the interrupt request signal generation interval.

10.3 Registers

The following registers are provided for the watch timer.

- Prescaler mode register 0 (PRSM0)
- Prescaler compare register 0 (PRSCM0)
- Watch timer operation mode register (WTM)

(1) Prescaler mode register 0 (PRSM0)

The PRSM0 register controls the generation of the watch timer count clock.

This register can be read or written in 8-bit or 1-bit units.

Reset sets this register to 00H.

After reset: 00H R/W Address: FFFFF8B0H

	7	6	5	4	3	2	1	0
PRSM0	0	0	0	BGCE0	0	0	BGCS01	BGCS00

BGCE0	Main clock operation enable
0	Disabled
1	Enabled

BGCS01	BGCS00	Selection of watch timer source clock (f_{BGS})	5 MHz	4 MHz
0	0	f_x	200 ns	250 ns
0	1	$f_x/2$	400 ns	500 ns
1	0	$f_x/4$	800 ns	1 μ s
1	1	$f_x/8$	1.6 μ s	2 μ s

Cautions

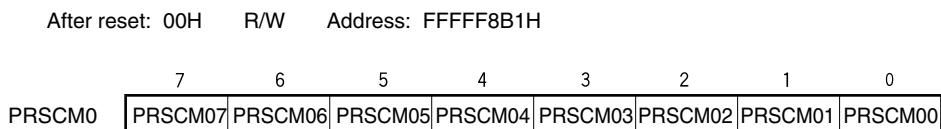
1. Do not change the values of the BGCS00 and BGCS01 bits during watch timer operation.
2. Set the PRSM0 register before setting the BGCE0 bit to 1.
3. Set the PRSM0 and PRSCM0 registers according to the main clock frequency that is used so as to obtain an f_{BRG} frequency of 32.768 kHz.

(2) Prescaler compare register 0 (PRSCM0)

The PRSCM0 register is an 8-bit compare register.

This register can be read or written in 8-bit units.

Reset sets this register to 00H.



- Cautions**
1. Do not rewrite the PRSCM0 register during watch timer operation.
 2. Set the PRSCM0 register before setting the PRSM0.BGCE0 bit to 1.
 3. Set the PRSM0 and PRSCM0 registers according to the main clock frequency that is used so as to obtain an f_{BRG} frequency of 32.768 kHz.

The calculation for f_{BRG} is shown below.

$$f_{BRG} = f_{BGCS}/2N$$

Remark f_{BGCS} : Watch timer source clock set by the PRSM0 register

N: Set value of PRSCM0 register = 1 to 256

However, N = 256 only when PRSCM0 register is set to 00H.

(3) Watch timer operation mode register (WTM)

The WTM register enables or disables the count clock and operation of the watch timer, sets the interval time of the prescaler, controls the operation of the 5-bit counter, and sets the set time of the watch flag.

Set the PRSM0 register before setting the WTM register.

This register can be read or written in 8-bit or 1-bit units.

Reset sets this register to 00H.

(1/2)

After reset: 00H R/W Address: FFFFF680H

	7	6	5	4	3	2	1	0
WTM	WTM7	WTM6	WTM5	WTM4	WTM3	WTM2	WTM1	WTM0

WTM7	WTM6	WTM5	WTM4	Selection of interval time of prescaler
0	0	0	0	$2^4/f_w$ (488 μ s: $f_w = f_{XT}$)
0	0	0	1	$2^5/f_w$ (977 μ s: $f_w = f_{XT}$)
0	0	1	0	$2^6/f_w$ (1.95 ms: $f_w = f_{XT}$)
0	0	1	1	$2^7/f_w$ (3.91 ms: $f_w = f_{XT}$)
0	1	0	0	$2^8/f_w$ (7.81 ms: $f_w = f_{XT}$)
0	1	0	1	$2^9/f_w$ (15.6 ms: $f_w = f_{XT}$)
0	1	1	0	$2^{10}/f_w$ (31.3 ms: $f_w = f_{XT}$)
0	1	1	1	$2^{11}/f_w$ (62.5 ms: $f_w = f_{XT}$)
1	0	0	0	$2^4/f_w$ (488 μ s: $f_w = f_{BRG}$)
1	0	0	1	$2^5/f_w$ (977 μ s: $f_w = f_{BRG}$)
1	0	1	0	$2^6/f_w$ (1.95 ms: $f_w = f_{BRG}$)
1	0	1	1	$2^7/f_w$ (3.90 ms: $f_w = f_{BRG}$)
1	1	0	0	$2^8/f_w$ (7.81 ms: $f_w = f_{BRG}$)
1	1	0	1	$2^9/f_w$ (15.6 ms: $f_w = f_{BRG}$)
1	1	1	0	$2^{10}/f_w$ (31.2 ms: $f_w = f_{BRG}$)
1	1	1	1	$2^{11}/f_w$ (62.5 ms: $f_w = f_{BRG}$)

WTM7	WTM3	WTM2	Selection of set time of watch flag
0	0	0	$2^{14}/f_w$ (0.5 s: $f_w = f_{XT}$)
0	0	1	$2^{13}/f_w$ (0.25 s: $f_w = f_{XT}$)
0	1	0	$2^5/f_w$ (977 μ s: $f_w = f_{XT}$)
0	1	1	$2^4/f_w$ (488 μ s: $f_w = f_{XT}$)
1	0	0	$2^{14}/f_w$ (0.5 s: $f_w = f_{BRG}$)
1	0	1	$2^{13}/f_w$ (0.25 s: $f_w = f_{BRG}$)
1	1	0	$2^5/f_w$ (977 μ s: $f_w = f_{BRG}$)
1	1	1	$2^4/f_w$ (488 μ s: $f_w = f_{BRG}$)

WTM1	Control of 5-bit counter operation
0	Clears after operation stops
1	Starts

WTM0	Watch timer operation enable
0	Stops operation (clears both prescaler and 5-bit counter)
1	Enables operation

Caution Rewrite the WTM2 to WTM7 bits while both the WTM0 and WTM1 bits are 0.

- Remarks**
1. f_w : Watch timer clock frequency
 2. Values in parentheses apply to operation with $f_w = 32.768$ kHz
 3. f_{XT} : Subclock frequency
 4. f_{BRG} : Watch timer count clock frequency

10.4 Operation

10.4.1 Operation as watch timer

The watch timer generates an interrupt request signal (INTWT) at fixed time intervals. The watch timer operates using time intervals of 0.25 or 0.5 seconds with the subclock (32.768 kHz) or main clock.

The count operation starts when the WTM.WTM1 and WTM.WTM0 bits are set to 11. When the WTM0 bit is cleared to 0, the 11-bit prescaler and 5-bit counter are cleared and the count operation stops.

The time of the watch timer can be adjusted by clearing the WTM1 bit to 0 and then the 5-bit counter when operating at the same time as the interval timer. At this time, an error of up to 15.6 ms may occur for the watch timer, but the interval timer is not affected.

If the main clock is used as the count clock of the watch timer, set the count clock using the PRSM0.BGCS01 and BGCS00 bits, the 8-bit comparison value using the PRSCM0 register, and the count clock frequency (f_{BRG}) of the watch timer to 32.768 kHz.

When the PRSM0.BGCE0 bit is set (1), f_{BRG} is supplied to the watch timer.

f_{BRG} can be calculated by the following expression.

$$f_{BRG} = f_x / (2^{m+1} \times N)$$

To set f_{BRG} to 32.768 kHz, perform the following calculation and set the BGCS01 and BGCS00 bits and the PRSCM0 register.

<1> Set $N = f_x / 65,536$. Set $m = 0$.

<2> When the value resulting from rounding up the first decimal place of N is even, set N before the roundup as $N/2$ and m as $m + 1$.

<3> Repeat <2> until N is odd or $m = 3$.

<4> Set the value resulting from rounding up the first decimal place of N to the PRSCM0 register and m to the BGCS01 and BGCS00 bits.

Example: When $f_x = 4.00$ MHz

<1> $N = 4,000,000 / 65,536 = 61.03\dots$, $m = 0$

<2>, <3> Because N (round up the first decimal place) is odd, $N = 61$, $m = 0$.

<4> Set value of PRSCM0 register: 3DH (61), set value of BGCS01 and BGCS00 bits: 00

At this time, the actual f_{BRG} frequency is as follows.

$$\begin{aligned} f_{BRG} &= f_x / (2^{m+1} \times N) = 4,000,000 / (2 \times 61) \\ &= 32.787 \text{ kHz} \end{aligned}$$

Remark m : Division value (set value of BGCS01 and BGCS00 bits) = 0 to 3

N : Set value of PRSCM0 register = 1 to 256

However, $N = 256$ only when PRSCM0 register is set to 00H.

f_x : Main clock oscillation frequency

10.4.2 Operation as interval timer

The watch timer can also be used as an interval timer that repeatedly generates an interrupt request signal (INTWTI) at intervals specified by a preset count value.

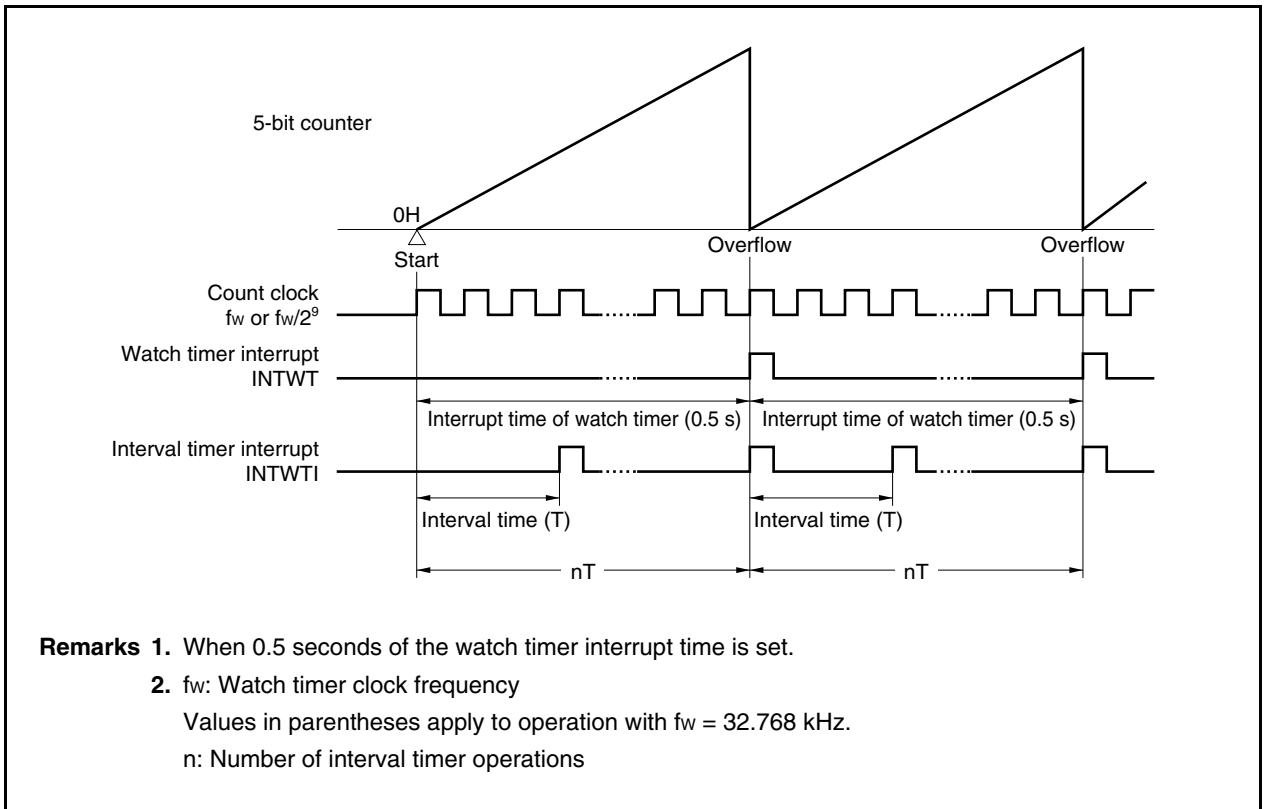
The interval time can be selected by the WTM4 to WTM7 bits of the WTM register.

Table 10-1. Interval Time of Interval Timer

WTM7	WTM6	WTM5	WTM4	Interval Time	
0	0	0	0	$2^4 \times 1/f_w$	488 μ s (operating at $f_w = f_{XT} = 32.768$ kHz)
0	0	0	1	$2^5 \times 1/f_w$	977 μ s (operating at $f_w = f_{XT} = 32.768$ kHz)
0	0	1	0	$2^6 \times 1/f_w$	1.95 ms (operating at $f_w = f_{XT} = 32.768$ kHz)
0	0	1	1	$2^7 \times 1/f_w$	3.91 ms (operating at $f_w = f_{XT} = 32.768$ kHz)
0	1	0	0	$2^8 \times 1/f_w$	7.81 ms (operating at $f_w = f_{XT} = 32.768$ kHz)
0	1	0	1	$2^9 \times 1/f_w$	15.6 ms (operating at $f_w = f_{XT} = 32.768$ kHz)
0	1	1	0	$2^{10} \times 1/f_w$	31.3 ms (operating at $f_w = f_{XT} = 32.768$ kHz)
0	1	1	1	$2^{11} \times 1/f_w$	62.5 ms (operating at $f_w = f_{XT} = 32.768$ kHz)
1	0	0	0	$2^4 \times 1/f_w$	488 μ s (operating at $f_w = f_{BRG} = 32.768$ kHz)
1	0	0	1	$2^5 \times 1/f_w$	977 μ s (operating at $f_w = f_{BRG} = 32.768$ kHz)
1	0	1	0	$2^6 \times 1/f_w$	1.95 ms (operating at $f_w = f_{BRG} = 32.768$ kHz)
1	0	1	1	$2^7 \times 1/f_w$	3.91 ms (operating at $f_w = f_{BRG} = 32.768$ kHz)
1	1	0	0	$2^8 \times 1/f_w$	7.81 ms (operating at $f_w = f_{BRG} = 32.768$ kHz)
1	1	0	1	$2^9 \times 1/f_w$	15.6 ms (operating at $f_w = f_{BRG} = 32.768$ kHz)
1	1	1	0	$2^{10} \times 1/f_w$	31.3 ms (operating at $f_w = f_{BRG} = 32.768$ kHz)
1	1	1	1	$2^{11} \times 1/f_w$	62.5 ms (operating at $f_w = f_{BRG} = 32.768$ kHz)

Remark f_w : Watch timer clock frequency

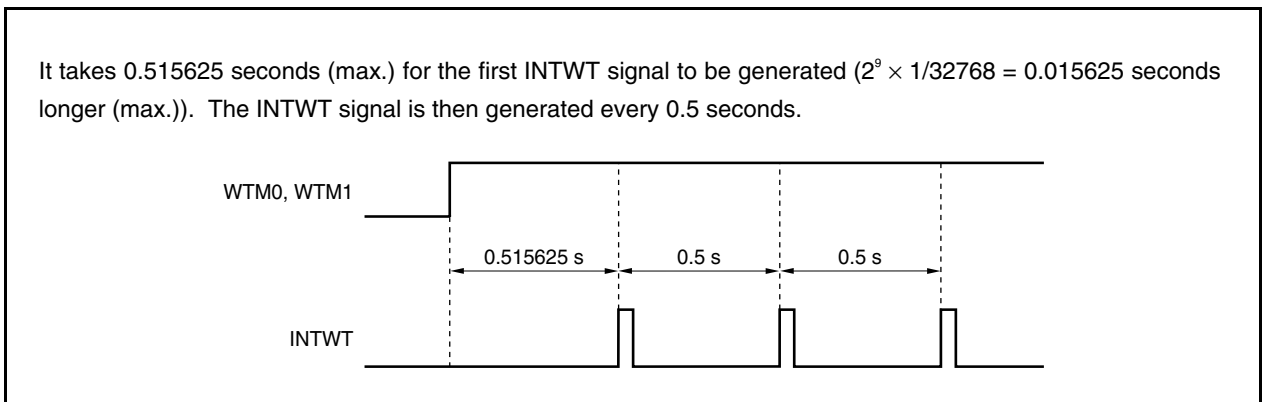
Figure 10-2. Operation Timing of Watch Timer/Interval Timer



10.4.3 Cautions

Some time is required before the first watch timer interrupt request signal (INTWT) is generated after operation is enabled (WTM.WTM1 and WTM.WTM0 bits = 1).

Figure 10-3. Example of Generation of Watch Timer Interrupt Request Signal (INTWT)
(When Interrupt Cycle = 0.5 s)



CHAPTER 11 FUNCTIONS OF WATCHDOG TIMER 2

11.1 Functions

Watchdog timer 2 has the following functions.

- Default-start watchdog timer^{Note 1}
 - Reset mode: Reset operation upon overflow of watchdog timer 2 (generation of WDT2RES signal)
 - Non-maskable interrupt request mode: NMI operation upon overflow of watchdog timer 2 (generation of INTWDT2 signal)^{Note 2}
- Input selectable from main clock and internal oscillation clock as the source clock

Notes 1. Watchdog timer 2 automatically starts in the reset mode following reset release.

When watchdog timer 2 is not used, either stop its operation before reset is executed via this function, or clear watchdog timer 2 once and stop it within the next interval time.

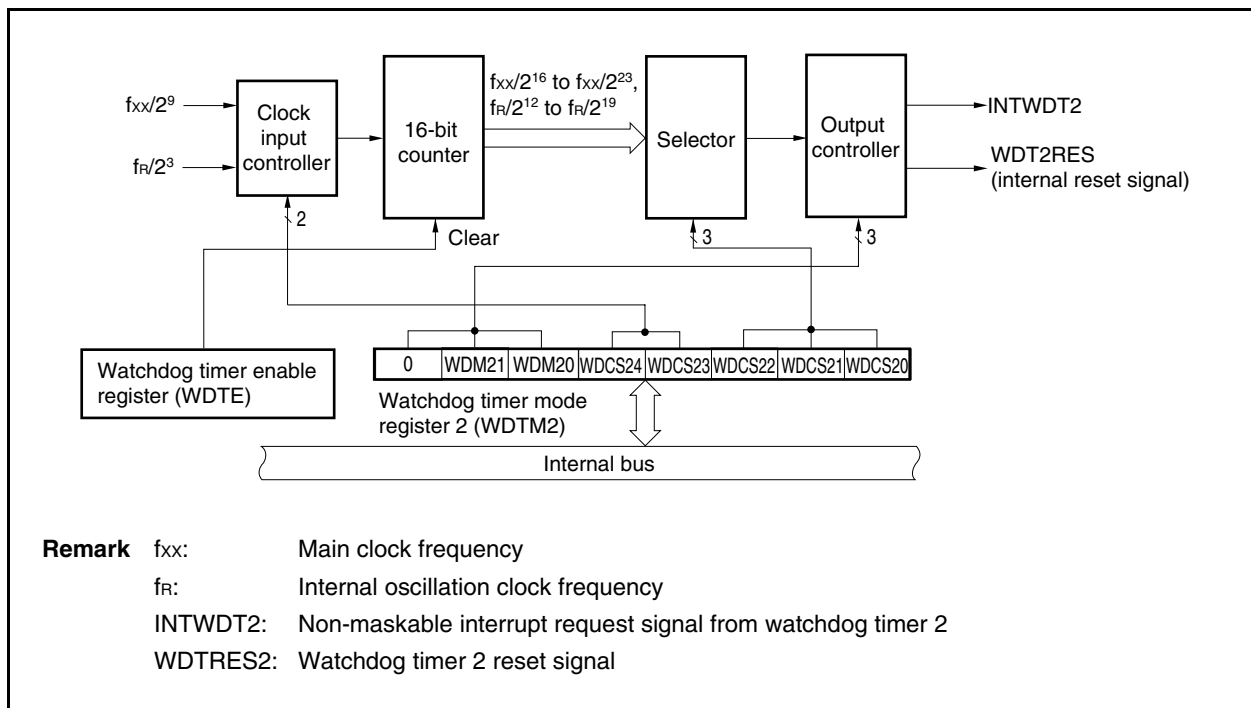
Also, write to the WDTM2 register for verification purposes only once, even if the default settings (reset mode, interval time: $f_R/2^{19}$) do not need to be changed.

2. For the non-maskable interrupt servicing due to a non-maskable interrupt request signal (INTWDT2), see **16.2.2 (2) INTWDT2 signal**.

11.2 Configuration

The following shows the block diagram of watchdog timer 2.

Figure 11-1. Block Diagram of Watchdog Timer 2



Watchdog timer 2 includes the following hardware.

Table 11-1. Configuration of Watchdog Timer 2

Item	Configuration
Control registers	Watchdog timer mode register 2 (WDTM2) Watchdog timer enable register (WDTE)

11.3 Registers

(1) Watchdog timer mode register 2 (WDTM2)

The WDTM2 register sets the overflow time and operation clock of watchdog timer 2.

This register can be read or written in 8-bit units. This register can be read any number of times, but it can be written only once following reset release.

Reset sets this register to 67H.

Caution Accessing the WDTM2 register is prohibited in the following statuses. For details, see 3.4.8

(2) Accessing specific on-chip peripheral I/O registers.

- When the CPU operates with the subclock and the main clock oscillation is stopped
- When the CPU operates with the internal oscillation clock

After reset: 67H R/W Address: FFFFF6D0H

	7	6	5	4	3	2	1	0
WDTM2	0	WDM21	WDM20	WDCS24	WDCS23	WDCS22	WDCS21	WDCS20

WDM21	WDM20	Selection of operation mode of watchdog timer 2 ^{Note}
0	0	Stops operation
0	1	Non-maskable interrupt request mode (generation of INTWDT2 signal)
1	–	Reset mode (generation of WDT2RES signal)

Note If the OPB1 bit is set to 1 by using the option byte function (see **CHAPTER 25**), the reset mode is fixed.

Cautions 1. For details of the WDCS20 to WDCS24 bits, see Table 11-2 Watchdog Timer 2 Clock Selection.

2. If the WDTM2 register is rewritten twice after reset, an overflow signal is forcibly generated and the counter is reset.

3. To intentionally generate an overflow signal, write to the WDTM2 register only twice or write a value other than ACH to the WDTE register once.

However, when watchdog timer 2 is set to stop operation, an overflow signal is not generated even if data is written to the WDTM2 register only twice, or a value other than “ACH” is written to the WDTE register only once.

4. To stop the operation of watchdog timer 2, set the RCM.RSTOP bit to 1 (internal oscillator is stopped), and write 1FH to the WDTM2 register. If the OPB1 bit is set to 1 by using the option byte function (see **CHAPTER 25**), however, watchdog timer 2 cannot be stopped by any means other than reset.

<R>

<R>

Table 11-2. Watchdog Timer 2 Clock Selection

WDCS24	WDCS23	WDCS22	WDCS21	WDCS20	Selected Clock	100 kHz (MIN.)	200 kHz (TYP.)	400 kHz (MAX.)
0	0	0	0	0	$2^{12}/f_R$	41.0 ms	20.5 ms	10.2 ms
0	0	0	0	1	$2^{13}/f_R$	81.9 ms	41.0 ms	20.5 ms
0	0	0	1	0	$2^{14}/f_R$	163.8 ms	81.9 ms	41.0 ms
0	0	0	1	1	$2^{15}/f_R$	327.7 ms	163.8 ms	81.9 ms
0	0	1	0	0	$2^{16}/f_R$	655.4 ms	327.7 ms	163.8 ms
0	0	1	0	1	$2^{17}/f_R$	1,310.7 ms	655.4 ms	327.7 ms
0	0	1	1	0	$2^{18}/f_R$	2,621.4 ms	1,310.7 ms	655.4 ms
0	0	1	1	1	$2^{19}/f_R$	5,242.9 ms	2,621.4 ms	1,310.7 ms
						$f_{XX} = 4 \text{ MHz}$	$f_{XX} = 5 \text{ MHz}$	
0	1	0	0	0	$2^{16}/f_{XX}$	16.4 ms	13.1 ms	
0	1	0	0	1	$2^{17}/f_{XX}$	32.8 ms	26.2 ms	
0	1	0	1	0	$2^{18}/f_{XX}$	65.5 ms	52.4 ms	
0	1	0	1	1	$2^{19}/f_{XX}$	131.1 ms	104.9 ms	
0	1	1	0	0	$2^{20}/f_{XX}$	262.1 ms	209.7 ms	
0	1	1	0	1	$2^{21}/f_{XX}$	524.3 ms	419.4 ms	
0	1	1	1	0	$2^{22}/f_{XX}$	1,048.6 ms	838.9 ms	
0	1	1	1	1	$2^{23}/f_{XX}$	2,097.2 ms	1,677.7 ms	
1	1	1	1	1	Operation stopped			

Caution If the OPB1 bit is set to 1 by using the option byte function, the clock is fixed to the internal oscillation clock (f_R) ($2^{12}/f_R$ to $2^{19}/f_R$ can be selected). For details, see CHAPTER 25 OPTION BYTE FUNCTION.

(2) Watchdog timer enable register (WDTE)

The counter of watchdog timer 2 is cleared and counting restarted by writing “ACH” to the WDTE register.

The WDTE register can be read or written in 8-bit units.

Reset sets this register to 9AH.



Cautions 1. When a value other than “ACH” is written to the WDTE register, an overflow signal is forcibly output.

2. When a 1-bit memory manipulation instruction is executed for the WDTE register, an overflow signal is forcibly output.

3. To intentionally generate an overflow signal, write to the WDTM2 register only twice or write a value other than ACH to the WDTE register once.

However, when the watchdog timer 2 is set to stop operation, an overflow signal is not generated even if data is written to the WDTM2 register only twice, or a value other than “ACH” is written to the WDTE register only once.

4. The read value of the WDTE register is “9AH” (which differs from written value “ACH”).

<R>

11.4 Operation

Watchdog timer 2 automatically starts in the reset mode following reset release.

The WDTM2 register can be written to only once following reset using byte access. To use watchdog timer 2, write the operation mode and the interval time to the WDTM2 register using an 8-bit memory manipulation instruction. After this, the operation of watchdog timer 2 cannot be stopped.

The WDCS24 to WDCS20 bits of the WDTM2 register are used to select the watchdog timer 2 loop detection time interval.

Writing ACH to the WDTE register clears the counter of watchdog timer 2 and starts the count operation again. After the count operation has started, write ACH to WDTE within the loop detection time interval.

If the time interval expires without ACH being written to the WDTE register, a reset signal (WDT2RES) or a non-maskable interrupt request signal (INTWDT2) is generated, depending on the set values of the WDM21 and WDTM2.WDM20 bits.

When the WDTM2.WDM21 bit is set to 1 (reset mode), if a WDT overflow occurs during oscillation stabilization after a reset or standby is released, no internal reset will occur and the CPU clock will switch to the internal oscillation clock.

To not use watchdog timer 2, write 1FH to the WDTM2 register.

For the non-maskable interrupt servicing while the non-maskable interrupt request mode is set, see **16.2.2 (2) INTWDT2 signal**.

CHAPTER 12 A/D CONVERTER

12.1 Overview

The A/D converter converts analog input signals into digital values, has a resolution of 10 bits, and can handle 24 analog input signal channels (ANI0 to ANI23).

The A/D converter has the following features.

- 10-bit resolution
- 24 channels
- Successive approximation method
- Operating voltage: $AV_{REF0} = 4.0$ to 5.5 V
- Analog input voltage: 0 V to AV_{REF0}
- The following functions are provided as operation modes.
 - Continuous select mode
 - Continuous scan mode
 - One-shot scan mode
- The following functions are provided as trigger modes.
 - Software trigger mode
 - External trigger mode (external, 1)
 - Timer trigger mode
- Power-fail monitor function (conversion result compare function)

12.2 Functions

(1) 10-bit resolution A/D conversion

An analog input channel is selected from ANI0 to ANI23, and an A/D conversion operation is repeated at a resolution of 10 bits. Each time A/D conversion has been completed, an interrupt request signal (INTAD) is generated.

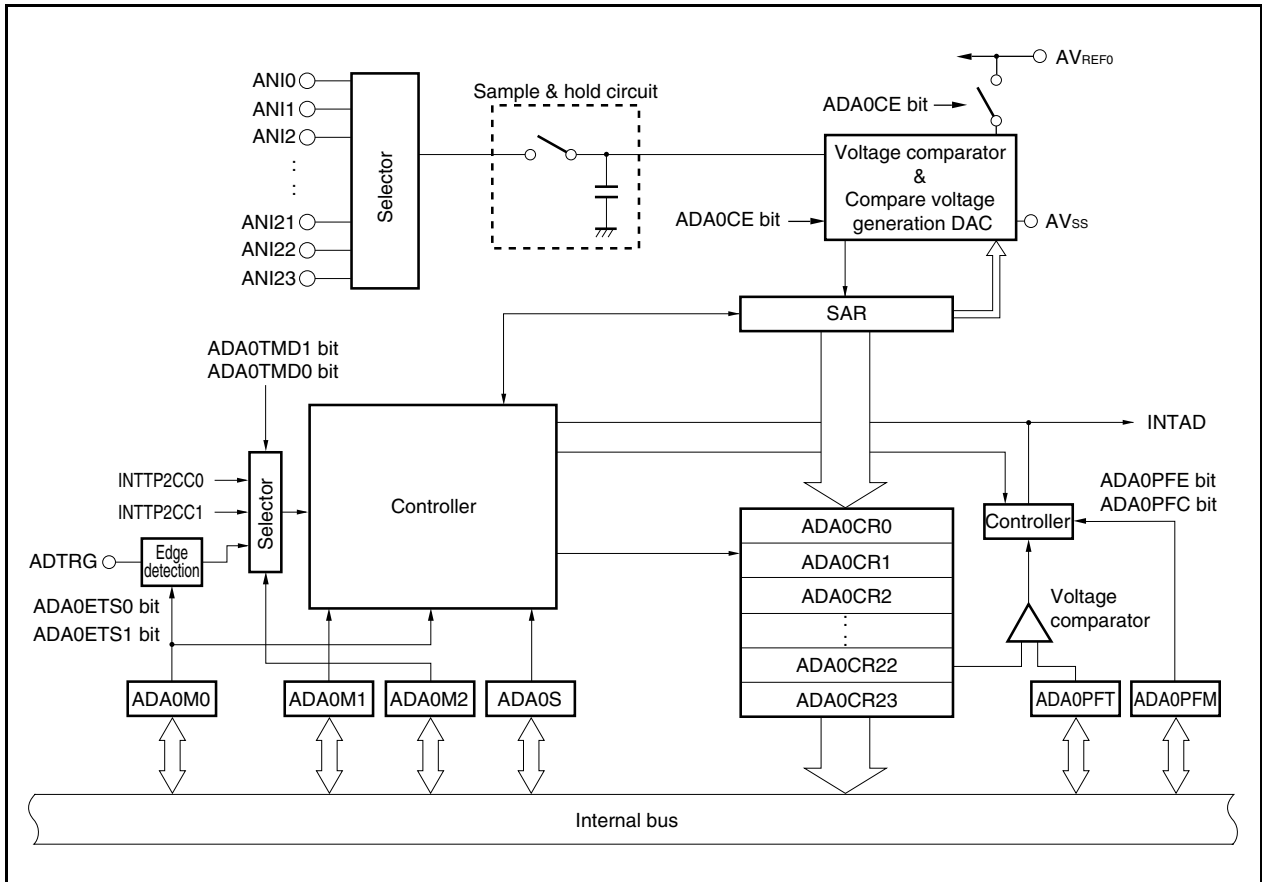
(2) Power-fail detection function

This function is used to detect a drop in the battery voltage. The result of A/D conversion (the value of the ADA0CRnH register) is compared with the value of the ADA0PFT register, and the INTAD signal is generated only when a specified comparison condition is satisfied ($n = 0$ to 23).

12.3 Configuration

The block diagram of the A/D converter is shown below.

Figure 12-1. Block Diagram of A/D Converter



The A/D converter includes the following hardware.

Table 12-1. Configuration of A/D Converter

Item	Configuration
Analog inputs	24 channels (ANI0 to ANI23 pins)
Registers	Successive approximation register (SAR) A/D conversion result registers 0 to 23 (ADA0CR0 to ADA0CR23) A/D conversion result registers 0H to 23H (ADCR0H to ADCR23H): Only higher 8 bits can be read
Control registers	A/D converter mode registers 0 to 2 (ADA0M0 to ADA0M2) A/D converter channel specification register 0 (ADA0S) Power fail compare mode register (ADA0PFM) Power fail compare threshold value register (ADA0PFT)

(1) Successive approximation register (SAR)

The SAR register compares the voltage value of the analog input signal with the output voltage of the compare voltage generation DAC (compare voltage), and holds the comparison result starting from the most significant bit (MSB).

When the comparison result has been held down to the least significant bit (LSB) (i.e., when A/D conversion is complete), the contents of the SAR register are transferred to the ADA0CRn register.

Remark $n = 0$ to 23

(2) A/D conversion result register n (ADA0CRn), A/D conversion result register nH (ADA0CRnH)

The ADA0CRn register is a 16-bit register that stores the A/D conversion result. ADA0ARn consist of 24 registers and the A/D conversion result is stored in the 10 higher bits of the ADA0CRn register corresponding to analog input. (The lower 6 bits are fixed to 0.)

(3) A/D converter mode register 0 (ADA0M0)

This register specifies the operation mode and controls the conversion operation by the A/D converter.

(4) A/D converter mode register 1 (ADA0M1)

This register sets the conversion time of the analog input signal to be converted.

(5) A/D converter mode register 2 (ADA0M2)

This register sets the hardware trigger mode.

(6) A/D converter channel specification register (ADA0S)

This register sets the input port that inputs the analog voltage to be converted.

(7) Power-fail compare mode register (ADA0PFM)

This register sets the power-fail monitor mode.

(8) Power-fail compare threshold value register (ADA0PFT)

The ADA0PFT register sets a threshold value that is compared with the value of A/D conversion result register nH (ADA0CRnH). The 8-bit data set to the ADA0PFT register is compared with the higher 8 bits of the A/D conversion result register (ADA0CRnH).

(9) Controller

The controller compares the result of the A/D conversion (the value of the ADA0CRnH register) with the value of the ADA0PFT register when A/D conversion is completed or when the power-fail detection function is used, and generates the INTAD signal only when a specified comparison condition is satisfied.

(10) Sample & hold circuit

The sample & hold circuit samples each of the analog input signals selected by the input circuit and sends the sampled data to the voltage comparator. This circuit also holds the sampled analog input signal voltage during A/D conversion.

(11) Voltage comparator

The voltage comparator compares a voltage value that has been sampled and held with the voltage value of the compare voltage generation DAC.

(12) Compare voltage generation DAC

This compare voltage generation DAC is connected between AV_{REF0} and AV_{SS} and generates a voltage for comparison with the analog input signal.

(13) ANI0 to ANI23 pins

These are analog input pins for the 24 A/D converter channels and are used to input analog signals to be converted into digital signals. Pins other than the one selected as the analog input by the ADA0S register can be used as input port pins.

- Cautions**
- 1. Make sure that the voltages input to the ANI0 to ANI23 pins do not exceed the rated values. In particular if a voltage of AV_{REF0} or higher is input to a channel, the conversion value of that channel becomes undefined, and the conversion values of the other channels may also be affected.**
 - 2. The analog input pins (ANI0 to ANI23) function alternately as input port pins (P70 to P715, P120 to P127). If any of ANI0 to ANI23 is selected to execute A/D conversion, do not execute an input instruction to ports 7 and 12 during conversion. If executed, the conversion resolution may be degraded.**

(14) AV_{REF0} pin

This is the pin used to input the reference voltage of the A/D converter. Always make the potential at this pin the same as that at the V_{DD} pin even when the A/D converter is not used. The signals input to the ANI0 to ANI23 pins are converted to digital signals based on the voltage applied between the AV_{REF0} and AV_{SS} pins.

(15) AV_{SS} pin

This is the ground pin of the A/D converter. Always make the potential at this pin the same as that at the V_{SS} pin even when the A/D converter is not used.

12.4 Registers

The A/D converter is controlled by the following registers.

- A/D converter mode registers 0, 1, 2 (ADA0M0, ADA0M1, ADA0M2)
- A/D converter channel specification register 0 (ADA0S)
- Power-fail compare mode register (ADA0PFM)

The following registers are also used.

- A/D conversion result register n (ADA0CRn)
- A/D conversion result register nH (ADA0CRnH)
- Power-fail compare threshold value register (ADA0PFT)

(1) A/D converter mode register 0 (ADA0M0)

The ADA0M0 register is an 8-bit register that specifies the operation mode and controls conversion operations. This register can be read or written in 8-bit or 1-bit units. However, ADA0EF bit is read-only. Reset sets this register to 00H.

Caution Accessing the ADA0M0 register is prohibited in the following statuses. For details, see 3.4.8

(2) Accessing specific on-chip peripheral I/O registers.

- When the CPU operates with the subclock and the main clock oscillation is stopped
- When the CPU operates with the internal oscillation clock

After reset: 00H R/W Address: FFFFF200H

	7	6	5	4	3	2	1	0
ADA0M0	ADA0CE	0	ADA0MD1	ADA0MD0	ADA0ETS1	ADA0ETS0	ADA0TMD	ADA0EF

ADA0CE	A/D conversion control	
0	Stops A/D conversion	
1	Enables A/D conversion	

ADA0MD1	ADA0MD0	Specification of A/D converter operation mode
0	0	Continuous select mode
0	1	Continuous scan mode
1	0	Setting prohibited
1	1	One-shot scan mode

ADA0ETS1	ADA0ETS0	Specification of external trigger (ADTRG pin) input valid edge
0	0	No edge detection
0	1	Falling edge detection
1	0	Rising edge detection
1	1	Detection of both rising and falling edges

ADA0TMD	Trigger mode specification
0	Software trigger mode
1	External trigger mode/timer trigger mode

ADA0EF	A/D converter status display
0	A/D conversion stopped
1	A/D conversion in progress

- Cautions**
1. Write operations to bit 0 are ignored.
 2. Changing the ADA0M1 register value is prohibited while A/D conversion is enabled (ADA0CE bit = 1).
 3. If the ADA0M0, ADA0M2, ADA0S, ADA0PFM, and ADA0PFT registers are written during A/D conversion (ADA0EF bit = 1), the following will be performed according to the mode.
 - In software trigger mode
A/D conversion is stopped and started again from the beginning.
 - In hardware trigger mode
A/D conversion is stopped, and the trigger standby state is set.
 4. When not using the A/D converter, stop the operation by setting the ADA0CE bit to 0 to reduce the power consumption.
 5. The resolution for the first conversion of the data of the input pin immediately after the start of A/D conversion may be degraded. For details, see 12.6 (7) AV_{REF0} pin.

(2) A/D converter mode register 1 (ADA0M1)

The ADA0M1 register is an 8-bit register that controls the conversion time specification.

This register can be read or written in 8-bit or 1-bit units.

Reset sets this register to 00H.

After reset: 00H R/W Address: FFFFF201H

7	6	5	4	3	2	1	0	
ADA0M1	ADA0HS1	0	0	0	ADA0FR3	ADA0FR2	ADA0FR1	ADA0FR0

Cautions

1. Be sure to clear bits 6 to 4 to “0”.
2. Be sure to set the ADA0HS1 bit to “1”.

Remark For A/D conversion time setting examples, see **Table 12-2**.

Table 12-2. Conversion Mode Setting Example

ADA0HS1	ADA0FR3 to ADA0FR0				A/D Conversion Time	f _{xx} = 20 MHz	f _{xx} = 16 MHz	f _{xx} = 4 MHz	A/D Stabilization Time ^{Note}
	3	2	1	0					
1	0	0	0	0	31/f _{xx}	Setting prohibited	Setting prohibited	7.75 μs	16/f _{xx}
	0	0	0	1	62/f _{xx}	3.10 μs	3.88 μs	15.50 μs	31/f _{xx}
	0	0	1	0	93/f _{xx}	4.65 μs	5.81 μs	Setting prohibited	47/f _{xx}
	0	0	1	1	124/f _{xx}	6.20 μs	7.75 μs	Setting prohibited	50/f _{xx}
	0	1	0	0	155/f _{xx}	7.75 μs	9.69 μs	Setting prohibited	50/f _{xx}
	0	1	0	1	186/f _{xx}	9.30 μs	11.63 μs	Setting prohibited	50/f _{xx}
	0	1	1	0	217/f _{xx}	10.85 μs	13.56 μs	Setting prohibited	50/f _{xx}
	0	1	1	1	248/f _{xx}	12.40 μs	15.50 μs	Setting prohibited	50/f _{xx}
	1	0	0	0	279/f _{xx}	13.95 μs	Setting prohibited	Setting prohibited	50/f _{xx}
	1	0	0	1	310/f _{xx}	15.50 μs	Setting prohibited	Setting prohibited	50/f _{xx}
	1	0	1	0	341/f _{xx}	Setting prohibited	Setting prohibited	Setting prohibited	50/f _{xx}
	1	0	1	1	372/f _{xx}	Setting prohibited	Setting prohibited	Setting prohibited	50/f _{xx}
	1	1	0	0	403/f _{xx}	Setting prohibited	Setting prohibited	Setting prohibited	50/f _{xx}
	1	1	0	1	434/f _{xx}	Setting prohibited	Setting prohibited	Setting prohibited	50/f _{xx}
	1	1	1	0	465/f _{xx}	Setting prohibited	Setting prohibited	Setting prohibited	50/f _{xx}
	1	1	1	1	496/f _{xx}	Setting prohibited	Setting prohibited	Setting prohibited	50/f _{xx}

Note When the ADA0CE bit of the ADA0M0 register is changed from 0 to 1 to secure the A/D converter stabilization time, the first A/D conversion starts after one of the above clock values is input.

- <R> **Cautions**
1. Set as $3.1 \mu\text{s} \leq \text{conversion time} \leq 15.5 \mu\text{s}$.
 2. Rewriting of the ADA0M0, ADA0M2, ADA0S, ADA0PFM, and ADA0PFT registers and trigger input are prohibited during the stabilization time.

(3) A/D converter mode register 2 (ADA0M2)

The ADA0M2 register specifies the hardware trigger mode.

This register can be read or written in 8-bit or 1-bit units.

Reset sets this register to 00H.

After reset: 00H R/W Address: FFFFF203H

	7	6	5	4	3	2	1	0
ADA0M2	0	0	0	0	0	0	ADA0TMD1	ADA0TMD0

ADA0TMD1	ADA0TMD0	Specification of hardware trigger mode
0	0	External trigger mode (when ADTRG pin valid edge detected)
0	1	Timer trigger mode 0 (when INTTP2CC0 interrupt request generated)
1	0	Timer trigger mode 1 (when INTTP2CC1 interrupt request generated)
1	1	Setting prohibited

Caution Be sure to clear bits 7 to 2 to “0”.

(4) A/D converter channel specification register 0 (ADA0S)

The ADA0S register specifies the pin that inputs the analog voltage to be converted into a digital signal.

This register can be read or written in 8-bit or 1-bit units.

Reset sets this register to 00H.

After reset: 00H R/W Address: FFFFF202H

	7	6	5	4	3	2	1	0
ADA0S	0	0	0	ADA0S4	ADA0S3	ADA0S2	ADA0S1	ADA0S0

ADA0S4	ADA0S3	ADA0S2	ADA0S1	ADA0S0	Select mode	Scan mode
0	0	0	0	0	ANI0	ANI0
0	0	0	0	1	ANI1	ANI0, ANI1
0	0	0	1	0	ANI2	ANI0 to ANI2
0	0	0	1	1	ANI3	ANI0 to ANI3
0	0	1	0	0	ANI4	ANI0 to ANI4
0	0	1	0	1	ANI5	ANI0 to ANI5
0	0	1	1	0	ANI6	ANI0 to ANI6
0	0	1	1	1	ANI7	ANI0 to ANI7
0	1	0	0	0	ANI8	ANI0 to ANI8
0	1	0	0	1	ANI9	ANI0 to ANI9
0	1	0	1	0	ANI10	ANI0 to ANI10
0	1	0	1	1	ANI11	ANI0 to ANI11
0	1	1	0	0	ANI12	ANI0 to ANI12
0	1	1	0	1	ANI13	ANI0 to ANI13
0	1	1	1	0	ANI14	ANI0 to ANI14
0	1	1	1	1	ANI15	ANI0 to ANI15
1	0	0	0	0	ANI16	ANI0 to ANI16
1	0	0	0	1	ANI17	ANI0 to ANI17
1	0	0	1	0	ANI18	ANI0 to ANI18
1	0	0	1	1	ANI19	ANI0 to ANI19
1	0	1	0	0	ANI20	ANI0 to ANI20
1	0	1	0	1	ANI21	ANI0 to ANI21
1	0	1	1	0	ANI22	ANI0 to ANI22
1	0	1	1	1	ANI23	ANI0 to ANI23
Other than above					Setting prohibited	

(5) A/D conversion result registers n, nH (ADA0CRn, ADA0CRnH)

The ADA0CRn and ADA0CRnH registers store the A/D conversion results.

These registers are read-only, in 16-bit or 8-bit units. However, specify the ADA0CRn register for 16-bit access and the ADA0CRnH register for 8-bit access. The 10 bits of the conversion result are read from the higher 10 bits of the ADA0CRn register, and 0 is read from the lower 6 bits. The higher 8 bits of the conversion result are read from the ADA0CRnH register.

Caution Accessing the ADA0CRn and ADA0CRnH registers is prohibited in the following statuses.

For details, see 3.4.8 (2) Accessing specific on-chip peripheral I/O registers.

- When the CPU operates with the subclock and the main clock oscillation is stopped
- When the CPU operates with the internal oscillation clock

After reset: Undefined R Address: ADA0CR0 FFFFF210H, ADA0CR1 FFFFF212H,
 ADA0CR2 FFFFF214H, ADA0CR3 FFFFF216H
 ADA0CR4 FFFFF218H, ADA0CR5 FFFFF21AH
 ADA0CR6 FFFFF21CH, ADA0CR7 FFFFF21EH
 ADA0CR8 FFFFF220H, ADA0CR9 FFFFF222H
 ADA0CR10 FFFFF224H, ADA0CR11 FFFFF226H
 ADA0CR12 FFFFF228H, ADA0CR13 FFFFF22AH
 ADA0CR14 FFFFF22CH, ADA0CR15 FFFFF22EH
 ADA0CR16 FFFFF230H, ADA0CR17 FFFFF232H
 ADA0CR18 FFFFF234H, ADA0CR19 FFFFF236H
 ADA0CR20 FFFFF238H, ADA0CR21 FFFFF23AH
 ADA0CR22 FFFFF23CH, ADA0CR23 FFFFF23EH

	15	14	13	12	11	10	9	8	7	6	5	4	3	2	1	0
ADA0CRn	AD9	AD8	AD7	AD6	AD5	AD4	AD3	AD2	AD1	AD0	0	0	0	0	0	0

After reset: Undefined R Address: ADA0CR0H FFFFF211H, ADA0CR1H FFFFF213H,
 ADA0CR2H FFFFF215H, ADA0CR3H FFFFF217H
 ADA0CR4H FFFFF219H, ADA0CR5H FFFFF21BH
 ADA0CR6H FFFFF21DH, ADA0CR7H FFFFF21FH
 ADA0CR8H FFFFF221H, ADA0CR9H FFFFF223H
 ADA0CR10H FFFFF225H, ADA0CR11H FFFFF227H
 ADA0CR12H FFFFF229H, ADA0CR13H FFFFF22BH
 ADA0CR14H FFFFF22DH, ADA0CR15H FFFFF22FH
 ADA0CR16H FFFFF231H, ADA0CR17H FFFFF233H
 ADA0CR18H FFFFF235H, ADA0CR19H FFFFF237H
 ADA0CR20H FFFFF239H, ADA0CR21H FFFFF23BH
 ADA0CR22H FFFFF23DH, ADA0CR23H FFFFF23FH

	7	6	5	4	3	2	1	0
ADA0CRnH	AD9	AD8	AD7	AD6	AD5	AD4	AD3	AD2

Remark n = 0 to 23

Caution A write operation to the ADA0M0 and ADA0S registers may cause the contents of the ADA0CRn register to become undefined. After the conversion, read the conversion result before writing to the ADA0M0 and ADA0S registers. Correct conversion results may not be read if a sequence other than the above is used.

The relationship between the analog voltage input to the analog input pins (ANI0 to ANI23) and the A/D conversion result (ADA0CRn register) is as follows.

$$SAR = \text{INT} \left(\frac{V_{IN}}{AV_{REF0}} \times 1,024 + 0.5 \right)$$

$$ADA0CR^{Note} = SAR \times 64$$

Or,

$$(SAR - 0.5) \times \frac{AV_{REF0}}{1,024} \leq V_{IN} < (SAR + 0.5) \times \frac{AV_{REF0}}{1,024}$$

INT(): Function that returns the integer of the value in ()

V_{IN}: Analog input voltage

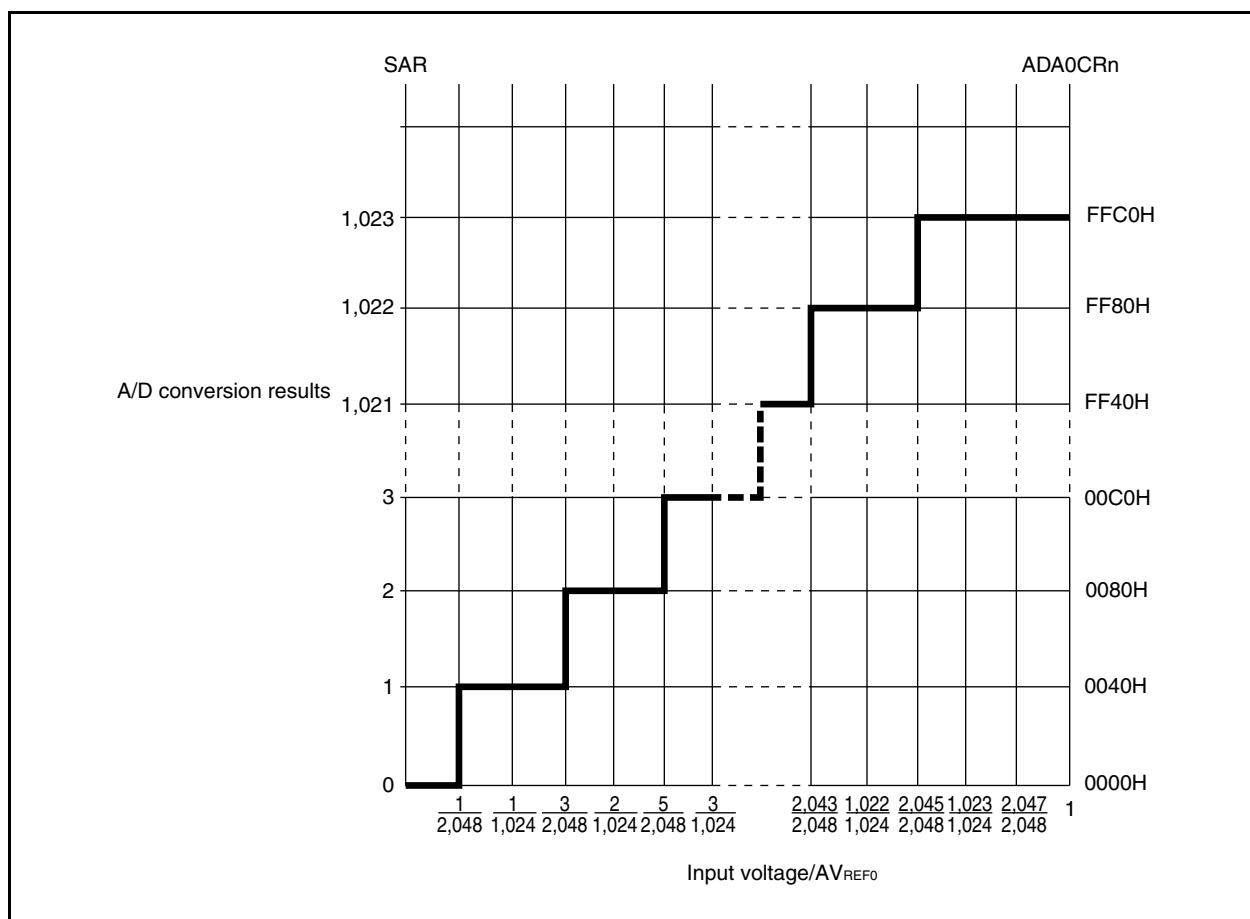
AV_{REF0}: AV_{REF0} pin voltage

ADA0CR: Value of ADA0CRn register

Note The lower 6 bits of the ADA0CRn register are fixed to 0.

The following shows the relationship between the analog input voltage and the A/D conversion results.

Figure 12-2. Relationship Between Analog Input Voltage and A/D Conversion Results



(6) Power-fail compare mode register (ADA0PFM)

The ADA0PFM register is an 8-bit register that sets the power-fail compare mode. This register can be read or written in 8-bit or 1-bit units. Reset sets this register to 00H.

After reset: 00H R/W Address: FFFFF204H

	7	6	5	4	3	2	1	0
ADA0PFM	ADA0PFE	ADA0PFC	0	0	0	0	0	0

ADA0PFE	Selection of power-fail compare enable/disable
0	Power-fail compare disabled
1	Power-fail compare enabled

ADA0PFC	Selection of power-fail compare mode
0	Generates an interrupt request signal (INTAD) when $ADA0CRnH \geq ADA0PFT$
1	Generates an interrupt request signal (INTAD) when $ADA0CRnH < ADA0PFT$

Cautions 1. In the select mode, the 8-bit data set to the ADA0PFT register is compared with the value of the ADA0CRnH register specified by the ADA0S register. If the result matches the condition specified by the ADA0PFC bit, the conversion result is stored in the ADA0CRn register and the INTAD signal is generated. If it does not match, however, the interrupt signal is not generated.

2. In the scan mode, the 8-bit data set to the ADA0PFT register is compared with the contents of the ADA0CR0H register. If the result matches the condition specified by the ADA0PFC bit, the conversion result is stored in the ADA0CR0 register and the INTAD signal is generated. If it does not match, however, the INTAD signal is not generated. Regardless of the comparison result, the scan operation is continued and the conversion result is stored in the ADA0CRn register until the scan operation is completed. However, the INTAD signal is not generated after the scan operation has been completed.

(7) Power-fail compare threshold value register (ADA0PFT)

<R>

The ADA0PFT register sets the threshold value when comparing with the A/D conversion result register nH (ADA0CRnH). The 8-bit data set in the ADA0PFT register is compared with the value of the ADA0CRnH register. The ADA0PFT register can be read or written in 8-bit or 1-bit units. Reset sets this register to 00H.

After reset: 00H R/W Address: FFFFF205H

	7	6	5	4	3	2	1	0
ADA0PFT								

12.5 Operation

12.5.1 Basic operation

- <1> Set the operation mode, trigger mode, and conversion time for executing A/D conversion by using the ADA0M0, ADA0M1, ADA0M2, and ADA0S registers. When the ADA0CE bit of the ADA0M0 register is set, conversion is started in the software trigger mode and the A/D converter waits for a trigger in the external or timer trigger mode.
- <2> When A/D conversion is started, the voltage input to the selected analog input channel is sampled by the sample & hold circuit.
- <3> When the sample & hold circuit samples the input channel for a specific time, it enters the hold status, and holds the input analog voltage until A/D conversion is complete.
- <4> Set bit 9 of the successive approximation register (SAR) to set the compare voltage generation DAC to $(1/2) AV_{REF0}$.
- <5> The voltage difference between the compare voltage generation DAC and the analog input voltage is compared by the voltage comparator. If the analog input voltage is higher than $(1/2) AV_{REF0}$, the MSB of the SAR register remains set. If it is lower than $(1/2) AV_{REF0}$, the MSB is reset.
- <6> Next, bit 8 of the SAR register is automatically set and the next comparison is started. Depending on the value of bit 9, to which a result has been already set, the compare voltage generation DAC is selected as follows.
 - Bit 9 = 1: $(3/4) AV_{REF0}$
 - Bit 9 = 0: $(1/4) AV_{REF0}$This compare voltage and the analog input voltage are compared and, depending on the result, bit 8 is manipulated as follows.
Analog input voltage \geq Compare voltage: Bit 8 = 1
Analog input voltage \leq Compare voltage: Bit 8 = 0
- <7> This comparison is continued to bit 0 of the SAR register.
- <8> When comparison of the 10 bits is complete, the valid digital result is stored in the SAR register, which is then transferred to and stored in the ADA0CRn register. After that, an A/D conversion end interrupt request signal (INTAD) is generated.

12.5.2 Trigger mode

The timing of starting the conversion operation is specified by setting a trigger mode. The trigger mode includes a software trigger mode and hardware trigger modes. The hardware trigger modes include timer trigger modes 0 and 1, and external trigger mode. The ADA0M0.ADA0TMD bit is used to set the trigger mode. The hardware trigger modes are set by the ADA0M2.ADA0TMD1 and ADA0M2.ADA0TMD0 bits.

(1) Software trigger mode

When the ADA0M0.ADA0CE bit is set to 1, the signal of the analog input pin (ANI0 to ANI23) specified by the ADA0S register is converted. When conversion is complete, the result is stored in the ADA0CRn register. At the same time, the A/D conversion end interrupt request signal (INTAD) is generated.

If the operation mode specified by the ADA0M0.ADA0MD1 and ADA0M0.ADA0MD0 bits is the continuous select/scan mode, the next conversion is started, unless the ADA0CE bit is cleared to 0 after completion of the first conversion. Conversion is performed once and ends if the operation mode is the one-shot select/scan mode.

When conversion is started, the ADA0M0.ADA0EF bit is set to 1 (indicating that conversion is in progress).

If the ADA0M0, ADA0M2, ADA0S, ADA0PFM, or ADA0PFT register is written during conversion, the conversion is aborted and started again from the beginning.

(2) External trigger mode

In this mode, converting the signal of the analog input pin (ANI0 to ANI23) specified by the ADA0S register is started when an external trigger is input (to the ADTRG pin). Which edge of the external trigger is to be detected (i.e., the rising edge, falling edge, or both rising and falling edges) can be specified by using the ADA0M0.ADA0ETS1 and ADA0M0.ATA0ETS0 bits. When the ADA0CE bit is set to 1, the A/D converter waits for the trigger, and starts conversion after the external trigger has been input.

When conversion is completed, the result of conversion is stored in the ADA0CRn register, regardless of whether the continuous select, continuous scan, or one-shot scan mode is set as the operation mode by the ADA0MD1 and ADA0MD0 bits. At the same time, the INTAD signal is generated, and the A/D converter waits for the trigger again.

When conversion is started, the ADA0EF bit is set to 1 (indicating that conversion is in progress). While the A/D converter is waiting for the trigger, however, the ADA0EF bit is cleared to 0 (indicating that conversion is stopped). If the valid trigger is input during the conversion operation, the conversion is aborted and started again from the beginning.

If the ADA0M0, ADA0M2, ADA0S, ADA0PFM, or ADA0PFT register is written during the conversion operation, the conversion is not aborted, and the A/D converter waits for the trigger again.

(3) Timer trigger mode

In this mode, converting the signal of the analog input pin (ANI0 to ANI23) specified by the ADA0S register is started by the compare match interrupt request signal (INTTP2CC0 or INTTP2CC1) of the capture/compare register connected to the timer. The INTTP2CC0 or INTTP2CC1 signal is selected by the ADA0TMD1 and ADA0TMD0 bits, and conversion is started at the rising edge of the specified compare match interrupt request signal. When the ADA0CE bit is set to 1, the A/D converter waits for a trigger, and starts conversion when the compare match interrupt request signal of the timer is input.

When conversion is completed, regardless of whether the continuous select, continuous scan, or one-shot scan mode is set as the operation mode by the ADA0MD1 and ADA0MD0 bits, the result of the conversion is stored in the ADA0CRn register. At the same time, the INTAD signal is generated, and the A/D converter waits for the trigger again.

When conversion is started, the ADA0EF bit is set to 1 (indicating that conversion is in progress). While the A/D converter is waiting for the trigger, however, the ADA0EF bit is cleared to 0 (indicating that conversion is stopped). If the valid trigger is input during the conversion operation, the conversion is aborted and started again from the beginning.

If the ADA0M0, ADA0M2, ADA0S, ADA0PFM, or ADA0PFT register is written during conversion, the conversion is stopped and the A/D converter waits for the trigger again.

12.5.3 Operation mode

Three operation modes are available as the modes in which to set the ANI0 to ANI23 pins: continuous select mode, continuous scan mode, and one-shot scan mode.

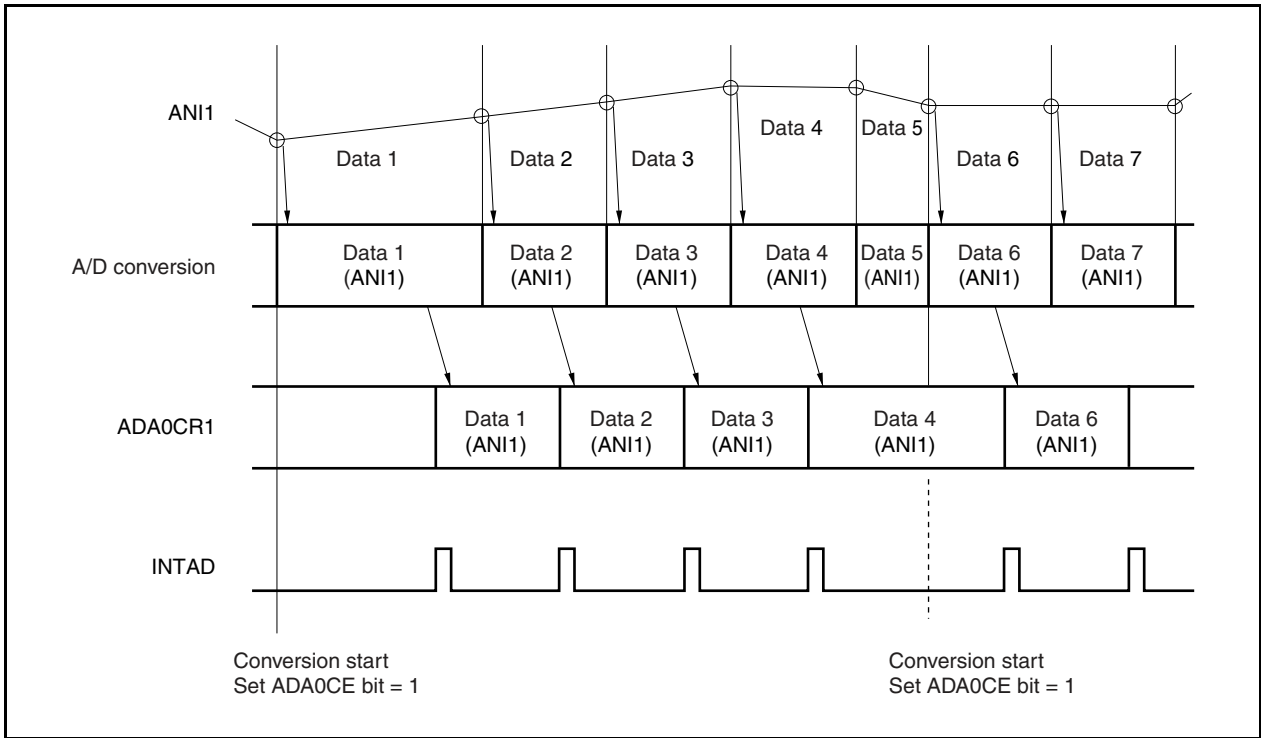
The operation mode is selected by the ADA0M0.ADA0MD1 and ADA0M0.ADA0MD0 bits.

(1) Continuous select mode

In this mode, the voltage of one analog input pin selected by the ADA0S register is continuously converted into a digital value.

The conversion result is stored in the ADA0CRn register corresponding to the analog input pin. In this mode, an analog input pin corresponds to an ADA0CRn register on a one-to-one basis. Each time A/D conversion is completed, the A/D conversion end interrupt request signal (INTAD) is generated. After completion of conversion, the next conversion is started, unless the ADA0M0.ADA0CE bit is cleared to 0 ($n = 0$ to 23).

Figure 12-3. Timing Example of Continuous Select Mode Operation (ADA0S Register = 01H)



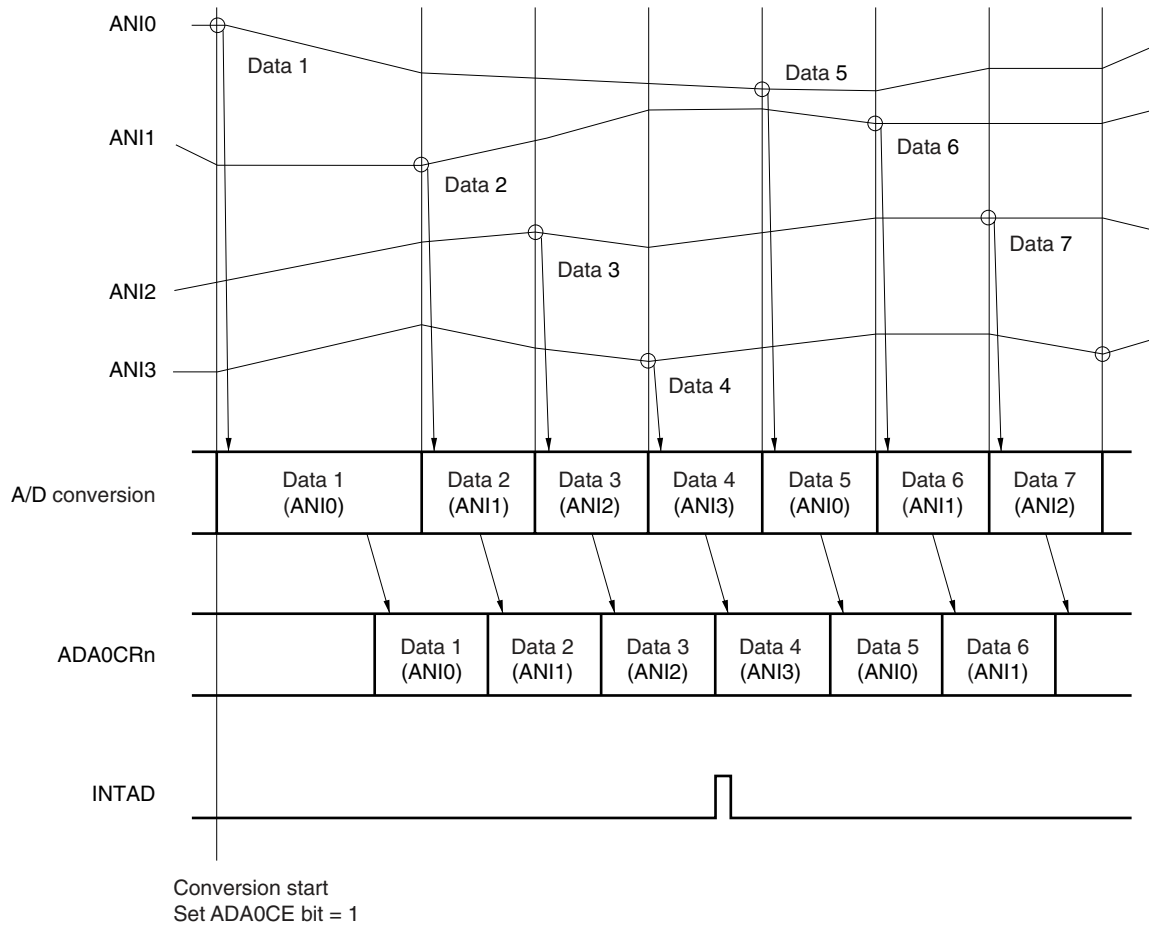
(2) Continuous scan mode

In this mode, analog input pins are sequentially selected, from the ANI0 pin to the pin specified by the ADA0S register, and their values are converted into digital values.

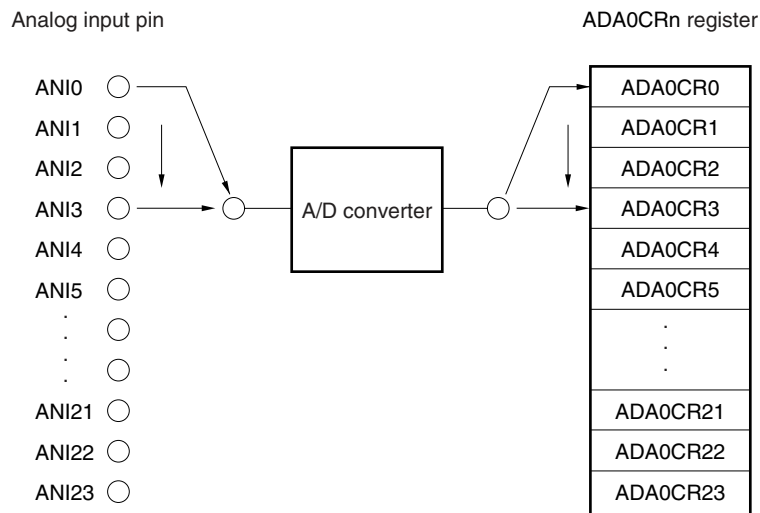
The result of each conversion is stored in the ADA0CRn register corresponding to the analog input pin. When conversion of the analog input pin specified by the ADA0S register is complete, the INTAD signal is generated, and A/D conversion is started again from the ANI0 pin, unless the ADA0CE bit is cleared to 0 ($n = 0$ to 23).

Figure 12-4. Timing Example of Continuous Scan Mode Operation (ADA0S Register = 03H)

(a) Timing example



(b) Block diagram

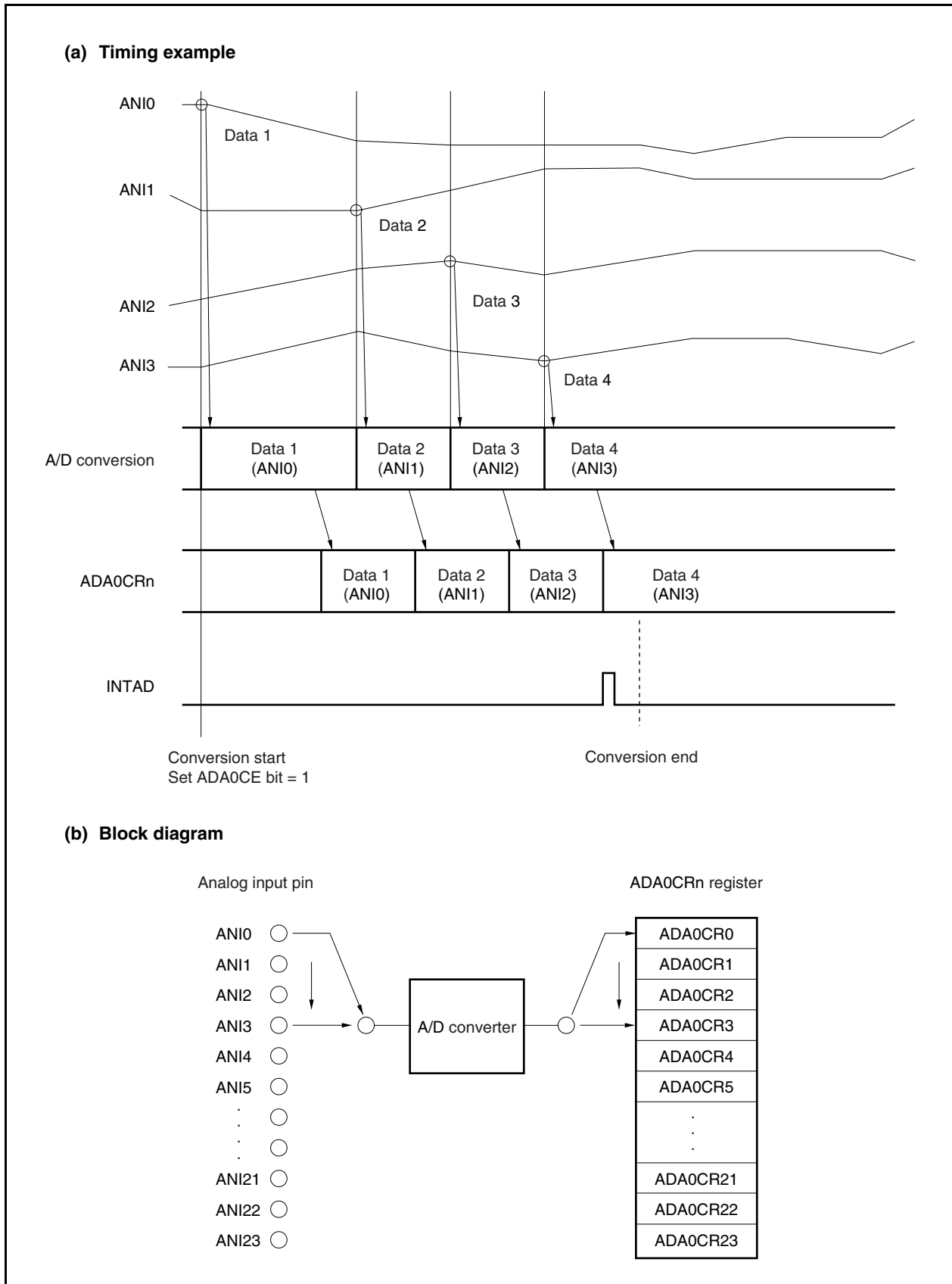


(3) One-shot scan mode

In this mode, analog input pins are sequentially selected, from the ANI0 pin to the pin specified by the ADA0S register, and their values are converted into digital values.

Each conversion result is stored in the ADA0CRn register corresponding to the analog input pin. When conversion of the analog input pin specified by the ADA0S register is complete, the INTAD signal is generated. A/D conversion is stopped after it has been completed (n = 0 to 23).

Figure 12-5. Timing Example of One-Shot Scan Mode Operation (ADA0S Register = 03H)



12.5.4 Power-fail compare mode

The A/D conversion end interrupt request signal (INTAD) can be controlled as follows by the ADA0PFM and ADA0PFT registers.

- When the ADA0PFM.ADA0PFE bit = 0, the INTAD signal is generated each time conversion is completed (normal use of the A/D converter).
- When the ADA0PFE bit = 1 and when the ADA0PFM.ADA0PFC bit = 0, the value of the ADA0CRnH register is compared with the value of the ADA0PFT register when conversion is completed, and the INTAD signal is generated only if $ADA0CRnH \geq ADA0PFT$.
- When the ADA0PFE bit = 1 and when the ADA0PFC bit = 1, the value of the ADA0CRnH register is compared with the value of the ADA0PFT register when conversion is completed, and the INTAD signal is generated only if $ADA0CRnH < ADA0PFT$.

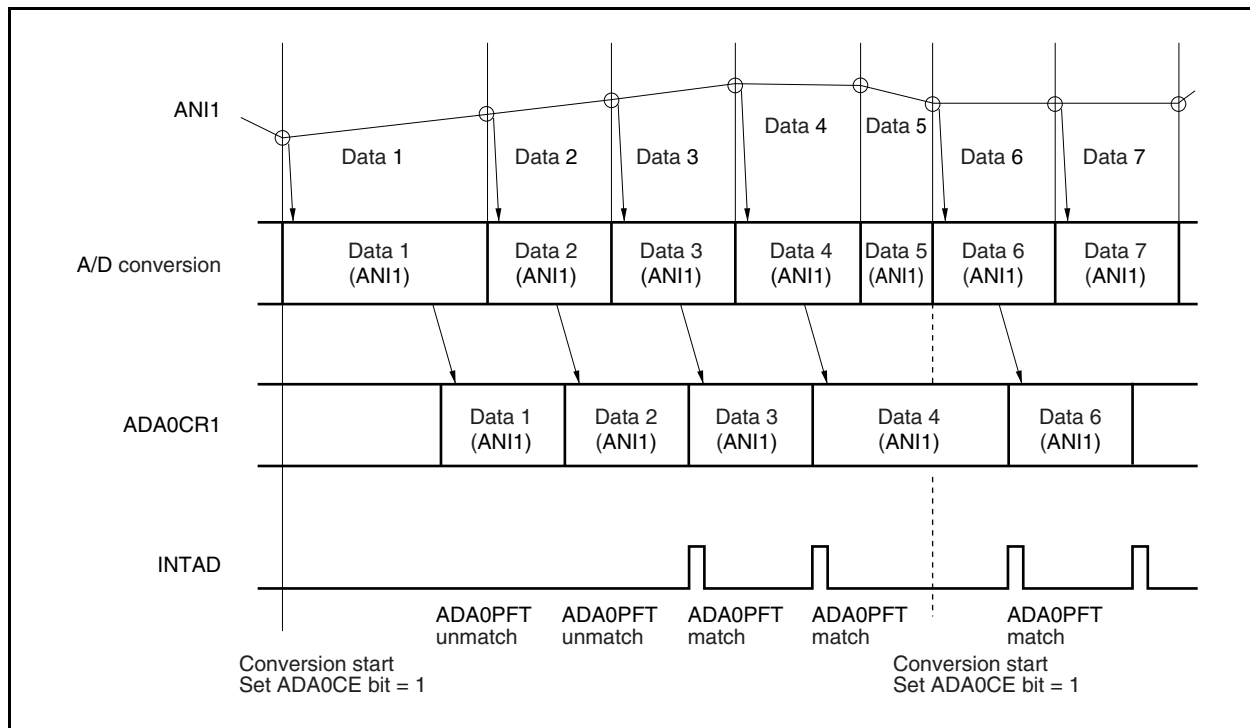
Remark n = 0 to 23

In the power-fail compare mode, three modes are available as modes in which to set the ANI0 to ANI23 pins: continuous select mode, continuous scan mode, and one-shot scan mode.

(1) Continuous select mode

In this mode, the result of converting the voltage of the analog input pin specified by the ADA0S register is compared with the set value of the ADA0PFT register. If the result of power-fail comparison matches the condition set by the ADA0PFC bit, the conversion result is stored in the ADA0CRn register, and the INTAD signal is generated. If it does not match, the conversion result is stored in the ADA0CRn register, and the INTAD signal is not generated. After completion of the first conversion, the next conversion is started, unless the ADA0M0.ADA0CE bit is cleared to 0 ($n = 0$ to 23).

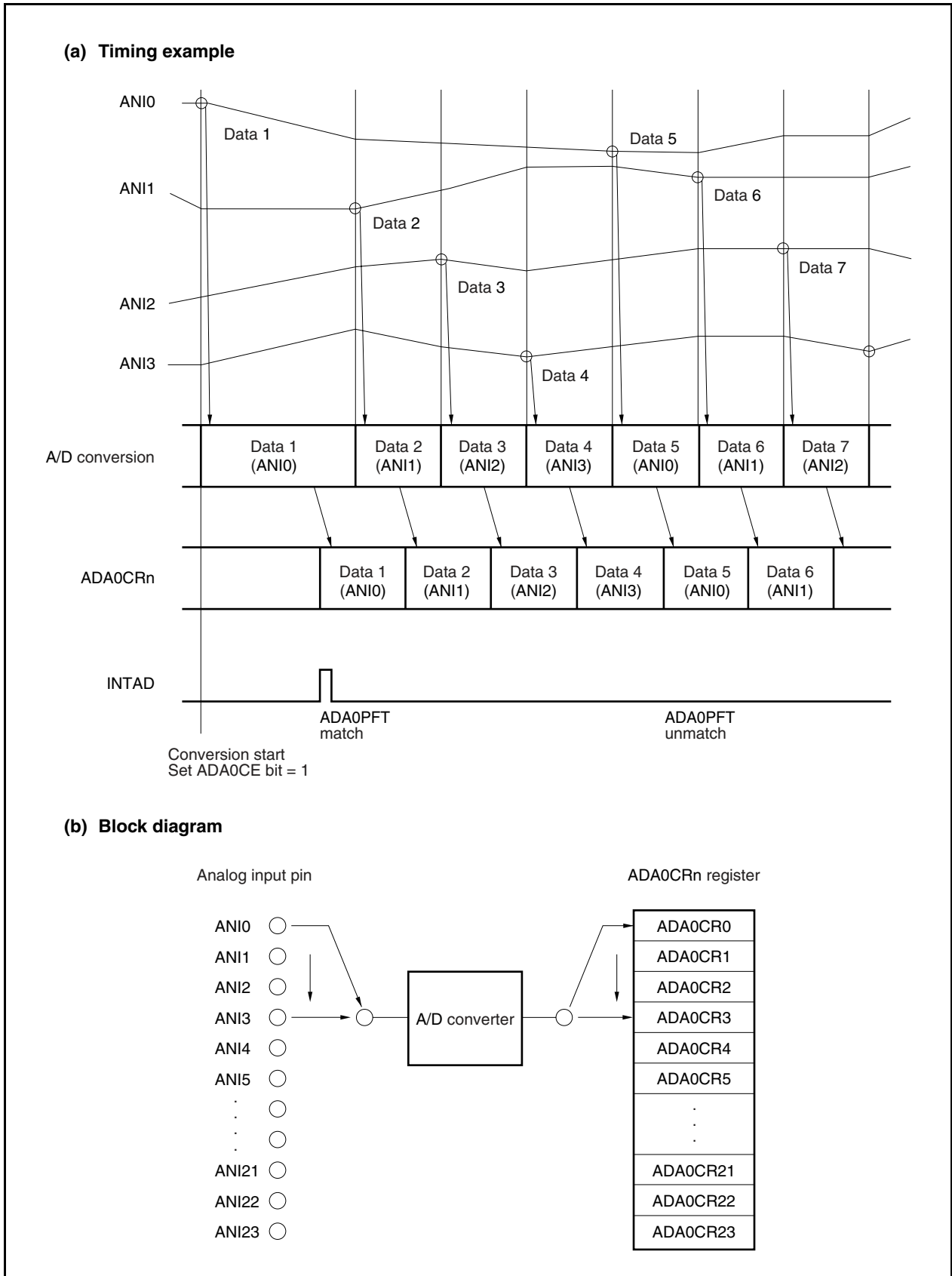
Figure 12-6. Timing Example of Continuous Select Mode Operation
(When Power-Fail Comparison Is Made: ADA0S Register = 01H)

**(2) Continuous scan mode**

In this mode, the results of converting the voltages of the analog input pins sequentially selected from the ANI0 pin to the pin specified by the ADA0S register are stored, and the set value of the ADA0CR0H register of channel 0 is compared with the value of the ADA0PFT register. If the result of power-fail comparison matches the condition set by the ADA0PFC bit, the conversion result is stored in the ADA0CR0 register, and the INTAD signal is generated. If it does not match, the conversion result is stored in the ADA0CR0 register, and the INTAD signal is not generated.

After the result of the first conversion has been stored in the ADA0CR0 register, the results of sequentially converting the voltages on the analog input pins up to the pin specified by the ADA0S register are continuously stored. After completion of conversion, the next conversion is started from the ANI0 pin again, unless the ADA0CE bit is cleared to 0.

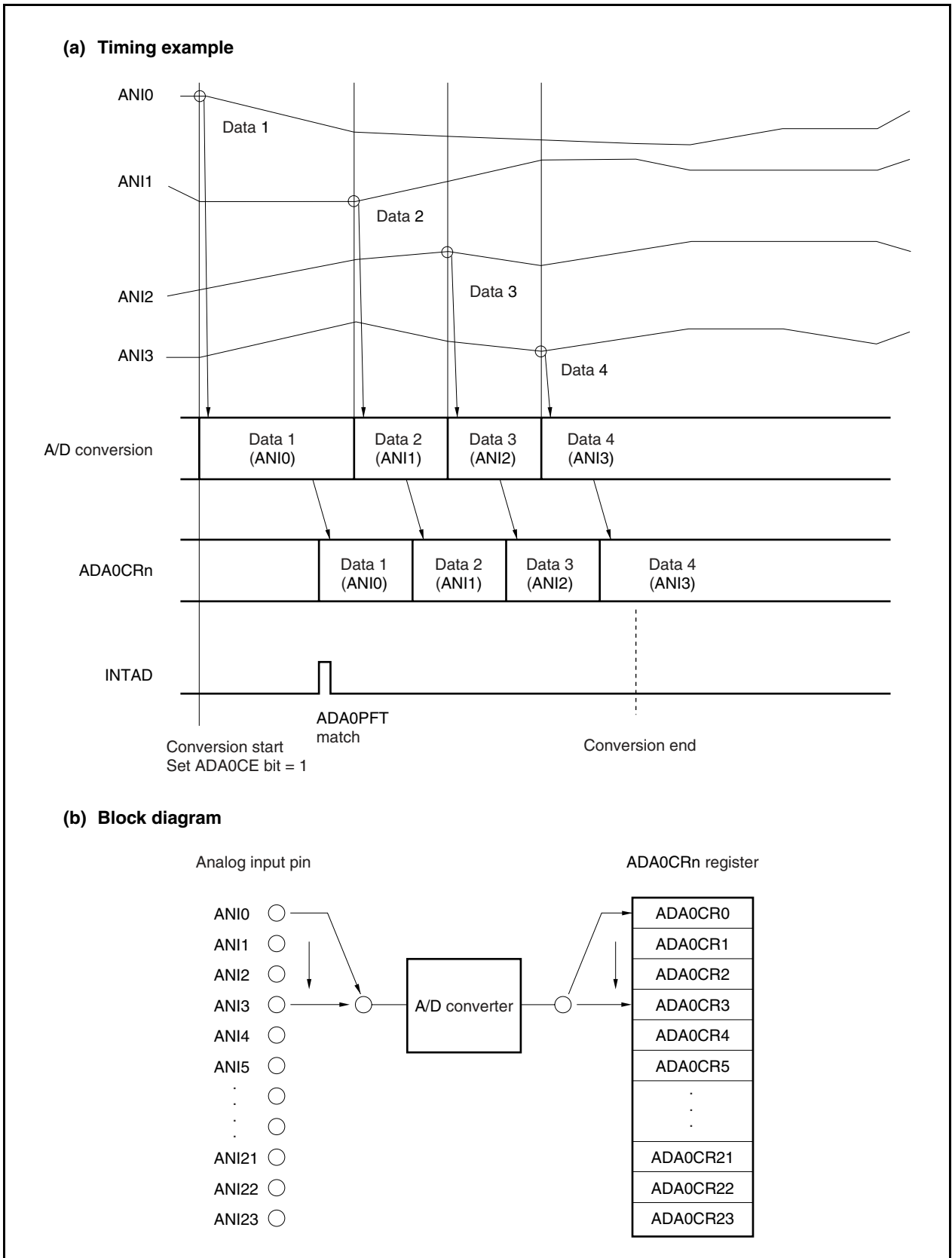
**Figure 12-7. Timing Example of Continuous Scan Mode Operation
(When Power-Fail Comparison Is Made: ADA0S Register = 03H)**



(3) One-shot scan mode

In this mode, the results of converting the voltages of the analog input pins sequentially selected from the ANIO pin to the pin specified by the ADA0S register are stored, and the set value of the ADA0CR0H register of channel 0 is compared with the set value of the ADA0PFT register. If the result of power-fail comparison matches the condition set by the ADA0PFC bit, the conversion result is stored in the ADA0CR0 register and the INTAD signal is generated. If it does not match, the conversion result is stored in the ADA0CR0 register, and the INTAD0 signal is not generated. After the result of the first conversion has been stored in the ADA0CR0 register, the results of converting the signals on the analog input pins specified by the ADA0S register are sequentially stored. The conversion is stopped after it has been completed.

**Figure 12-8. Timing Example of One-Shot Scan Mode Operation
(When Power-Fail Comparison Is Made: ADA0S Register = 03H)**



12.6 Cautions

(1) When A/D converter is not used

When the A/D converter is not used, the power consumption can be reduced by clearing the ADA0M0.ADA0CE bit to 0.

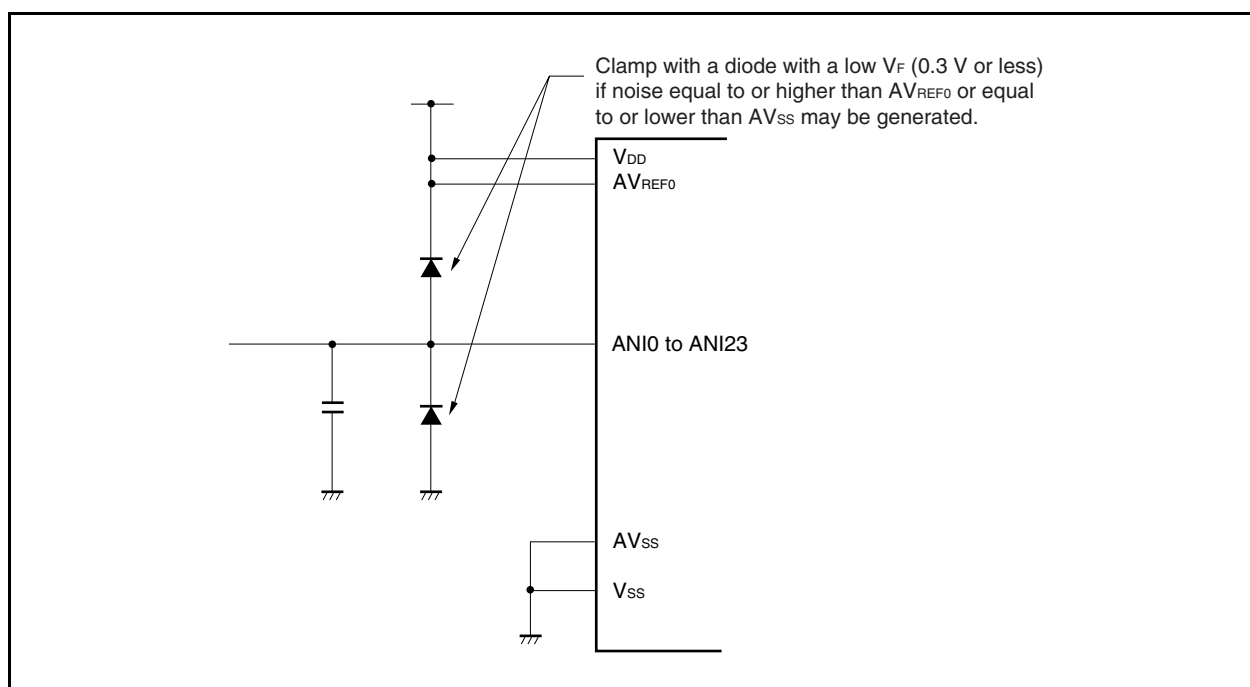
(2) Input range of ANI0 to ANI23 pins

Input the voltage within the specified range to the ANI0 to ANI23 pins. If a voltage equal to or higher than AV_{REF0} or equal to or lower than AV_{SS} (even within the range of the absolute maximum ratings) is input to any of these pins, the conversion value of that channel is undefined, and the conversion value of the other channels may also be affected.

(3) Countermeasures against noise

To maintain the 10-bit resolution, the ANI0 to ANI23 pins must be effectively protected from noise. The influence of noise increases as the output impedance of the analog input source becomes higher. To lower the noise, connecting an external capacitor as shown in Figure 12-9 is recommended.

Figure 12-9. Processing of Analog Input Pin



(4) Alternate I/O

The analog input pins (ANI0 to ANI23) function alternately as port pins. When selecting one of the ANI0 to ANI23 pins to execute A/D conversion, do not execute an instruction to read an input port or write to an output port during conversion as the conversion resolution may drop.

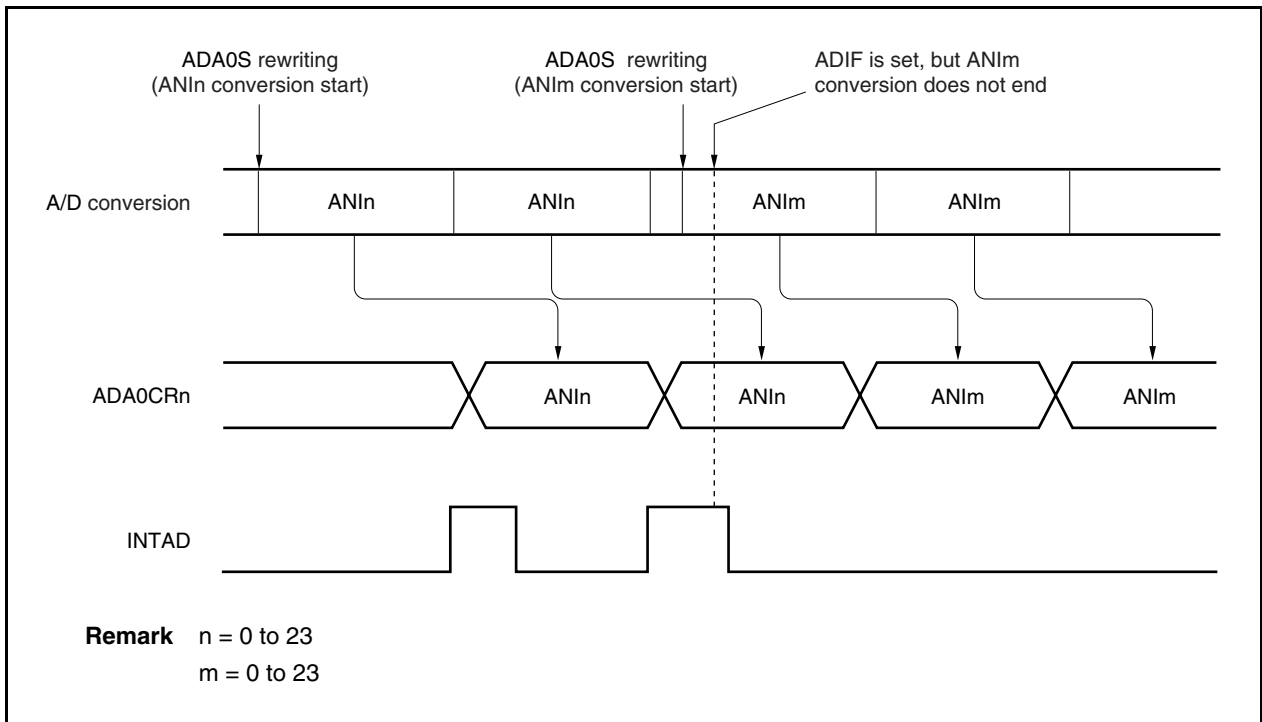
Also the conversion resolution may drop at the pins set as output port pins during A/D conversion if the current flows due to the effect of the external circuit connected to the port pins.

If a digital pulse is applied to a pin adjacent to the pin whose input signal is being converted, the A/D conversion value may not be as expected due to the influence of coupling noise. Therefore, do not apply a pulse to a pin adjacent to the pin undergoing A/D conversion.

(5) Interrupt request flag (ADIF)

The interrupt request flag (ADIF) is not cleared even if the contents of the ADA0S register are changed. If the analog input pin is changed during A/D conversion, therefore, the result of converting the previously selected analog input signal may be stored and the conversion end interrupt request flag may be set immediately before the ADA0S register is rewritten. If the ADIF flag is read immediately after the ADA0S register is rewritten, the ADIF flag may be set even though the A/D conversion of the newly selected analog input pin has not been completed. When A/D conversion is stopped, clear the ADIF flag before resuming conversion.

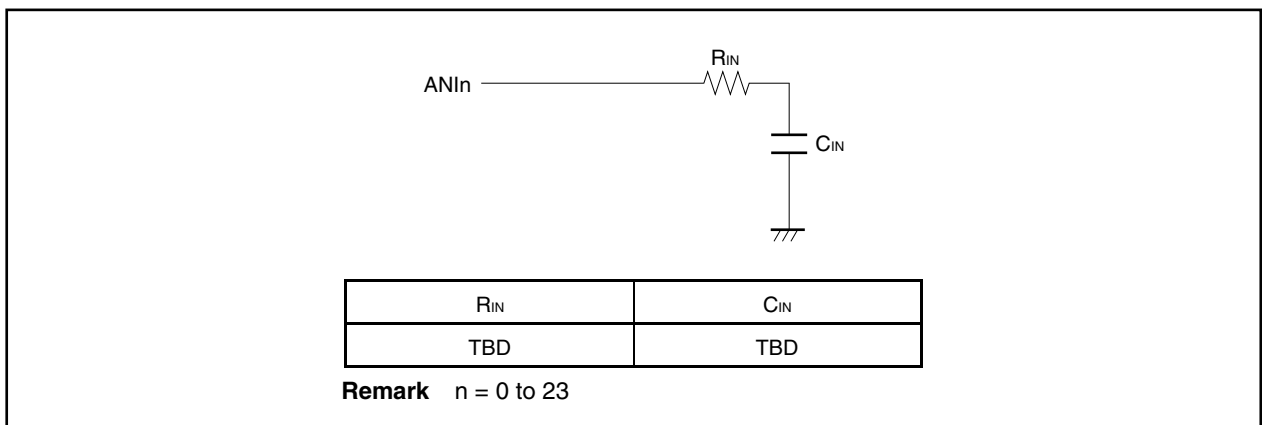
Figure 12-10. Generation Timing of A/D Conversion End Interrupt Request



(6) Internal equivalent circuit

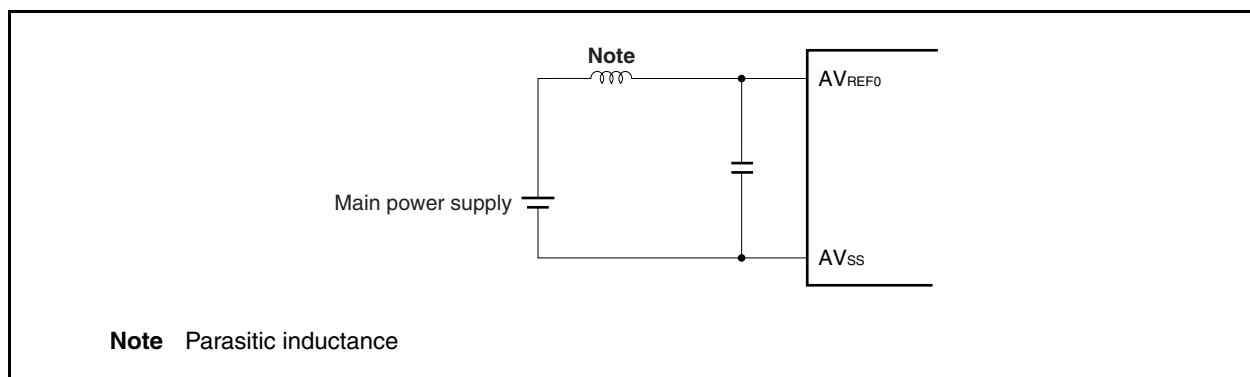
The following shows the equivalent circuit of the analog input block.

Figure 12-11. Internal Equivalent Circuit of ANIn Pin



(7) AV_{REF0} pin

- (a) The AV_{REF0} pin is used as the power supply pin of the A/D converter and also supplies power to the alternate-function ports. In an application where a backup power supply is used, be sure to supply the same voltage as V_{DD} to the AV_{REF0} pin as shown in Figure 12-12.
- (b) The AV_{REF0} pin is also used as the reference voltage pin of the A/D converter. If the source supplying power to the AV_{REF0} pin has a high impedance or if the power supply has a low current supply capability, the reference voltage may fluctuate due to the current that flows during conversion (especially, immediately after the conversion operation enable bit ADA0CE has been set to 1). As a result, the conversion accuracy may drop. To avoid this, it is recommended to connect a capacitor across the AV_{REF0} and AV_{SS} pins to suppress the reference voltage fluctuation as shown in Figure 12-12.
- (c) If the source supplying power to the AV_{REF0} pin has a high DC resistance (for example, because of insertion of a diode), the voltage when conversion is enabled may be lower than the voltage when conversion is stopped, because of a voltage drop caused by the A/D conversion current.

Figure 12-12. AV_{REF0} Pin Processing Example**<R> (8) Reading ADA0CRn result**

When the ADA0M0 to ADA0M2, ADA0S, ADA0PFM, or ADA0PFT register is written, the contents of the ADA0CRn register may be undefined. Read the conversion result after completion of conversion and before writing to the ADA0M0 to ADA0M2, ADA0S, ADA0PFM, or ADA0PFT register. Also, when an external/timer trigger is acknowledged, the contents of the ADA0CRn register may be undefined. Read the conversion result after completion of conversion and before the next external/timer trigger is acknowledged. The correct conversion result may not be read at a timing different from the above.

(9) A/D conversion result

If there is noise at the analog input pins and at the reference voltage input pins, that noise may generate an illegal conversion result. Software processing will be needed to avoid a negative effect on the system from this illegal conversion result. An example of this software processing is shown below.

- Take the average result of a number of A/D conversions and use that as the A/D conversion result.
- Execute a number of A/D conversions consecutively and use those results, omitting any exceptional results that may have been obtained.
- If an A/D conversion result that is judged to have generated a system malfunction is obtained, be sure to recheck the system malfunction before performing malfunction processing.

<R>

(10) Standby mode

Because the A/D converter stops operating in the STOP mode, conversion results are invalid, so power consumption can be reduced. Operations are resumed after the STOP mode is released, but the A/D conversion results after the STOP mode is released are invalid. When using the A/D converter after the STOP mode is released, before setting the STOP mode or releasing the STOP mode, clear the ADA0M0.ADA0CE bit to 0 then set the ADA0CE bit to 1 after releasing the STOP mode.

In the IDLE1, IDLE2, or subclock operation mode, operation continues. To lower the power consumption, therefore, clear the ADA0M0.ADA0CE bit to 0. In the IDLE1 and IDLE2 modes, since the analog input voltage value cannot be retained, the A/D conversion results after the IDLE1 and IDLE2 modes are released are invalid. The results of conversions before the IDLE1 and IDLE2 modes were set are valid.

<R>

(11) Rewriting registers and trigger input during the stabilization time

Rewriting of the ADA0M0, ADA0M2, ADA0S, ADA0PFM, and ADA0PFT registers and trigger input during the stabilization time are prohibited.

(12) Variation of A/D conversion results

The results of the A/D conversion may vary depending on the fluctuation of the supply voltage, or may be affected by noise. To reduce the variation, take counteractive measures with the program such as averaging the A/D conversion results.

(13) A/D conversion result hysteresis characteristics

The successive comparison type A/D converter holds the analog input voltage in the internal sample & hold capacitor and then performs A/D conversion. After the A/D conversion has finished, the analog input voltage remains in the internal sample & hold capacitor. As a result, the following phenomena may occur.

- When the same channel is used for A/D conversions, if the voltage is higher or lower than the previous A/D conversion, then hysteresis characteristics may appear where the conversion result is affected by the previous value.
- When switching the analog input channel, hysteresis characteristics may appear where the conversion result is affected by the previous channel value. This is because one A/D converter is used for the A/D conversions.

<R>

Therefore, to obtain more accurate conversion result, perform A/D conversion twice successively for the same channel, and discard the first conversion result.

12.7 How to Read A/D Converter Characteristics Table

This section describes the terms related to the A/D converter.

(1) Resolution

The minimum analog input voltage that can be recognized, i.e., the ratio of an analog input voltage to 1 bit of digital output is called 1 LSB (least significant bit). The ratio of 1 LSB to the full scale is expressed as %FSR (full-scale range). %FSR is the ratio of a range of convertible analog input voltages expressed as a percentage, and can be expressed as follows, independently of the resolution.

$$\begin{aligned} 1\%FSR &= (\text{Maximum value of convertible analog input voltage} - \text{Minimum value of convertible analog input voltage})/100 \\ &= (AV_{REF0} - 0)/100 \\ &= AV_{REF0}/100 \end{aligned}$$

When the resolution is 10 bits, 1 LSB is as follows:

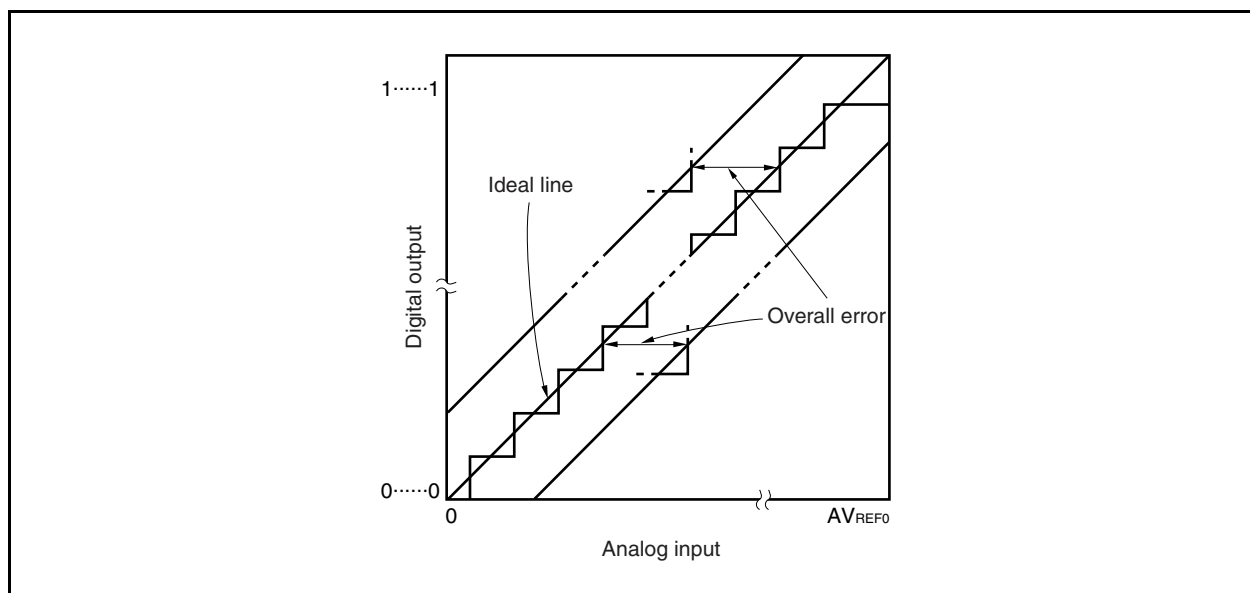
$$\begin{aligned} 1 \text{ LSB} &= 1/2^{10} = 1/1,024 \\ &= 0.098\%FSR \end{aligned}$$

The accuracy is determined by the overall error, independently of the resolution.

(2) Overall error

This is the maximum value of the difference between an actually measured value and a theoretical value. It is a total of zero-scale error, full-scale error, linearity error, and a combination of these errors. The overall error in the characteristics table does not include the quantization error.

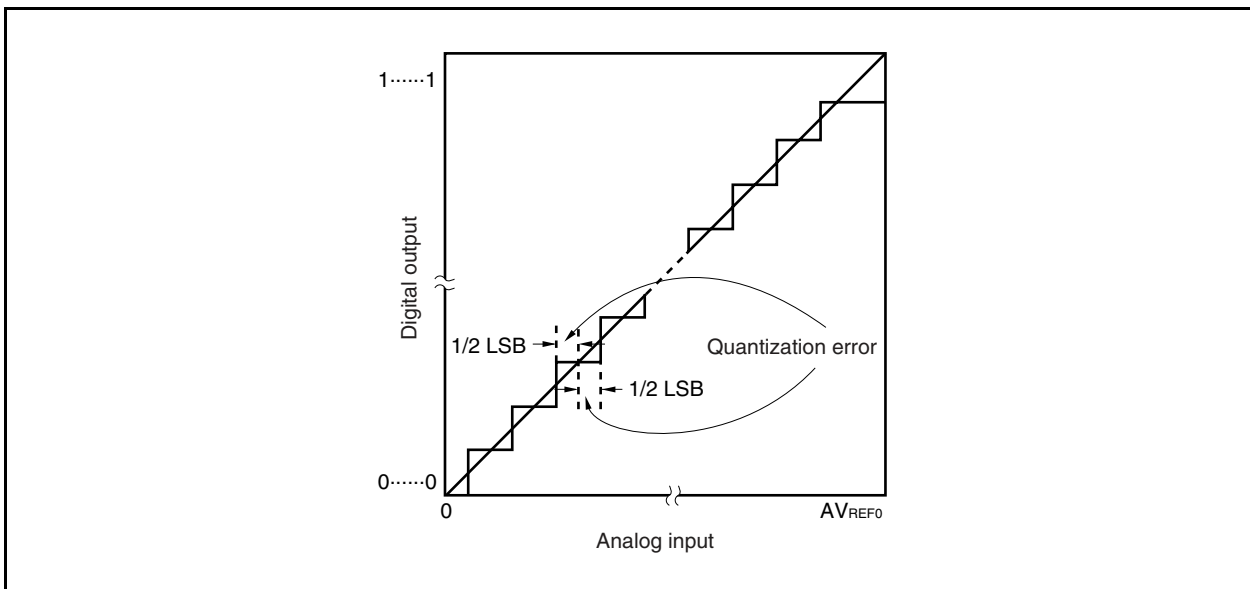
Figure 12-13. Overall Error



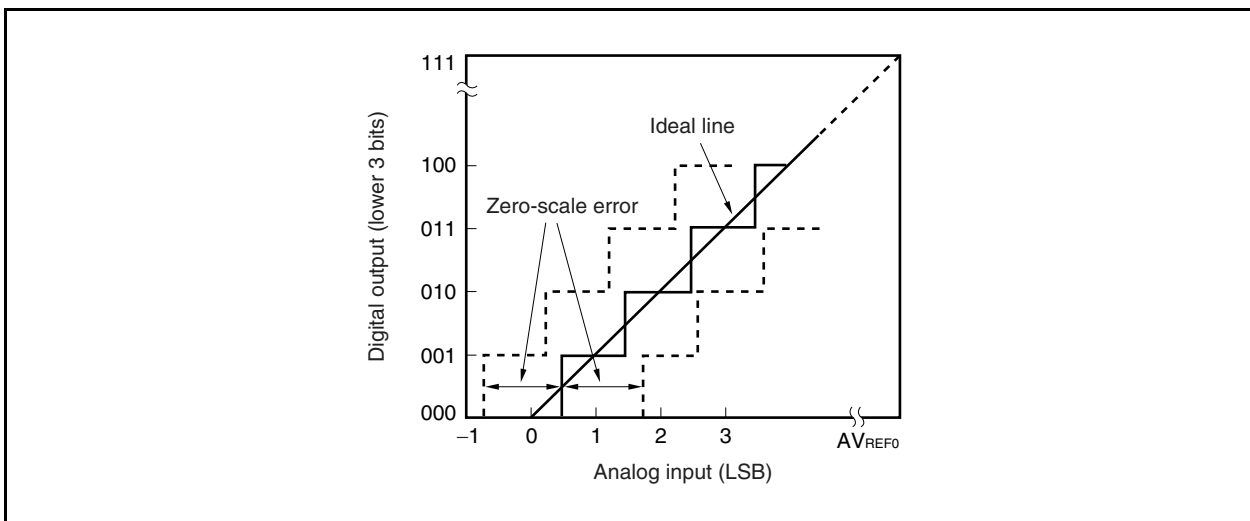
(3) Quantization error

This is an error of $\pm 1/2$ LSB that inevitably occurs when an analog value is converted into a digital value. Because the A/D converter converts analog input voltages in a range of $\pm 1/2$ LSB into the same digital codes, a quantization error is unavoidable.

This error is not included in the overall error, zero-scale error, full-scale error, integral linearity error, or differential linearity error in the characteristics table.

Figure 12-14. Quantization Error**(4) Zero-scale error**

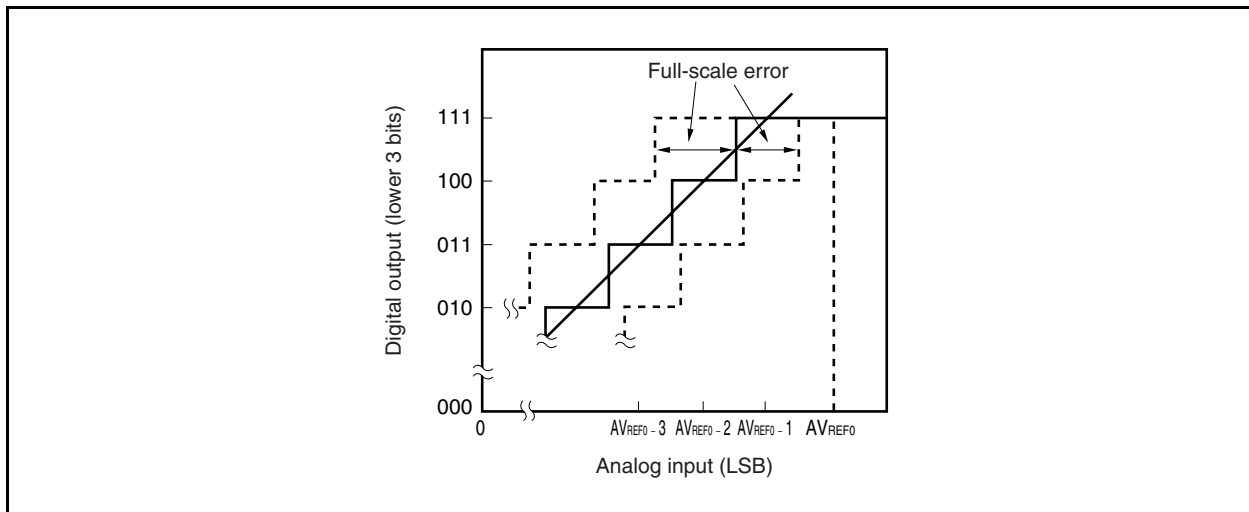
This is the difference between the actually measured analog input voltage and its theoretical value when the digital output changes from 0...000 to 0...001 (1/2 LSB).

Figure 12-15. Zero-Scale Error

(5) Full-scale error

This is the difference between the actually measured analog input voltage and its theoretical value when the digital output changes from 1...110 to 1...111 (full scale – 3/2 LSB).

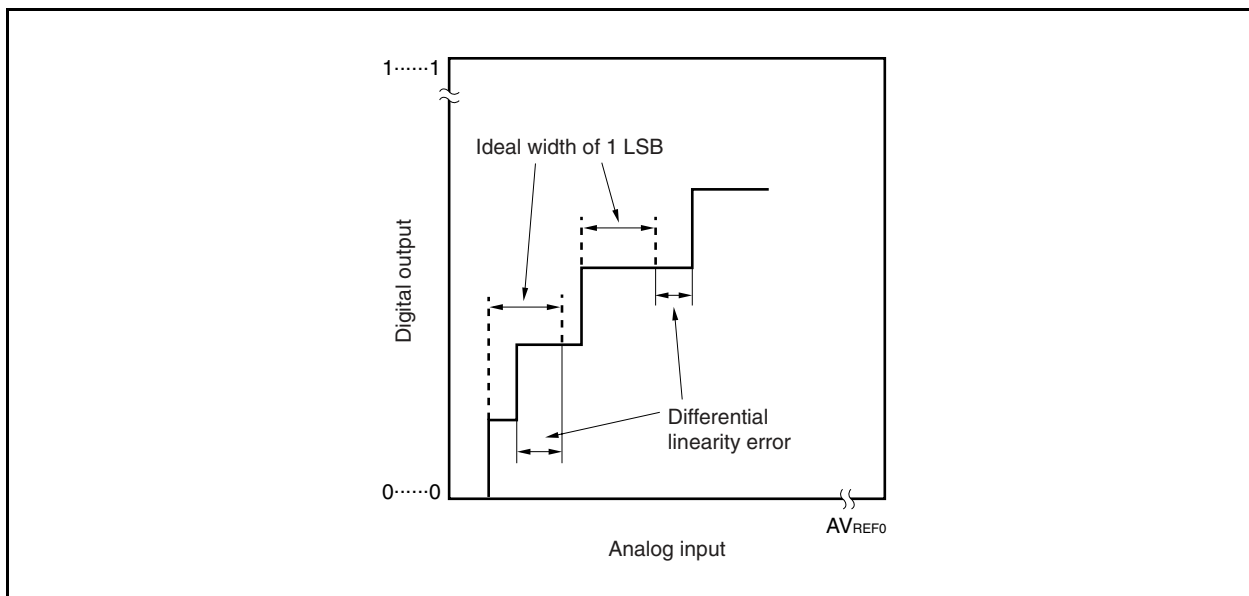
Figure 12-16. Full-Scale Error



(6) Differential linearity error

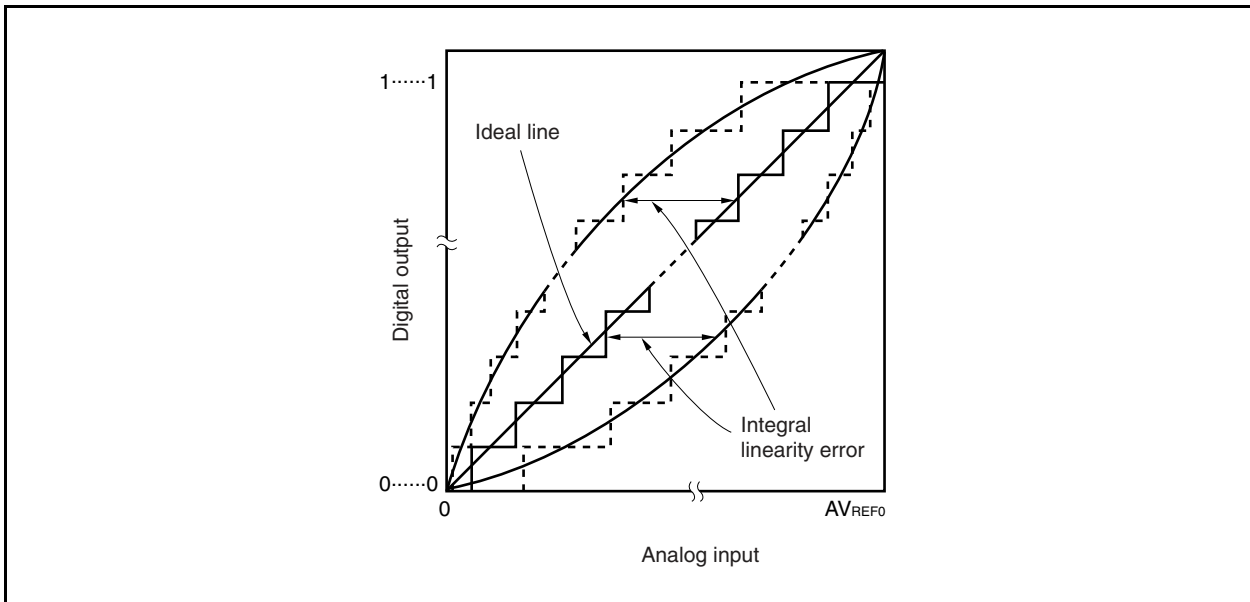
Ideally, the width to output a specific code is 1 LSB. This error indicates the difference between the actually measured value and its theoretical value when a specific code is output. This indicates the basic characteristics of the A/D conversion when the voltage applied to the analog input pins of the same channel is consistently increased bit by bit from AV_{SS} to AV_{REF0} . When the input voltage is increased or decreased, or when two or more channels are used, see 12.7 (2) Overall error.

Figure 12-17. Differential Linearity Error



(7) Integral linearity error

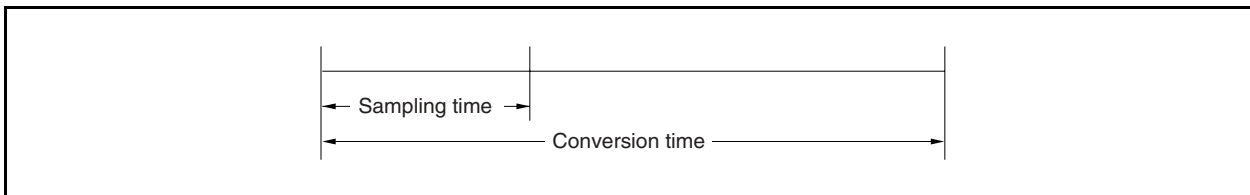
This error indicates the extent to which the conversion characteristics differ from the ideal linear relationship. It indicates the maximum value of the difference between the actually measured value and its theoretical value where the zero-scale error and full-scale error are 0.

Figure 12-18. Integral Linearity Error**(8) Conversion time**

This is the time required to obtain a digital output after each trigger has been generated. The conversion time in the characteristics table includes the sampling time.

(9) Sampling time

This is the time for which the analog switch is ON to load an analog voltage to the sample & hold circuit.

Figure 12-19. Sampling Time

CHAPTER 13 ASYNCHRONOUS SERIAL INTERFACE A (UARTA)

The V850ES/HJ2 includes asynchronous serial interface A (UARTA).

The number of channels differs depending on the product. Table 13-1 shows the number of channels of each product.

Table 13-1. Number of Channels of Asynchronous Serial Interface A

Product (Part Number)	Number of Channels
μ PD70F3709, 70F3710	3 channels (UARTA0 to UARTA2)
μ PD70F3711, 70F3712	4 channels (UARTA0 to UARTA3)

13.1 Features

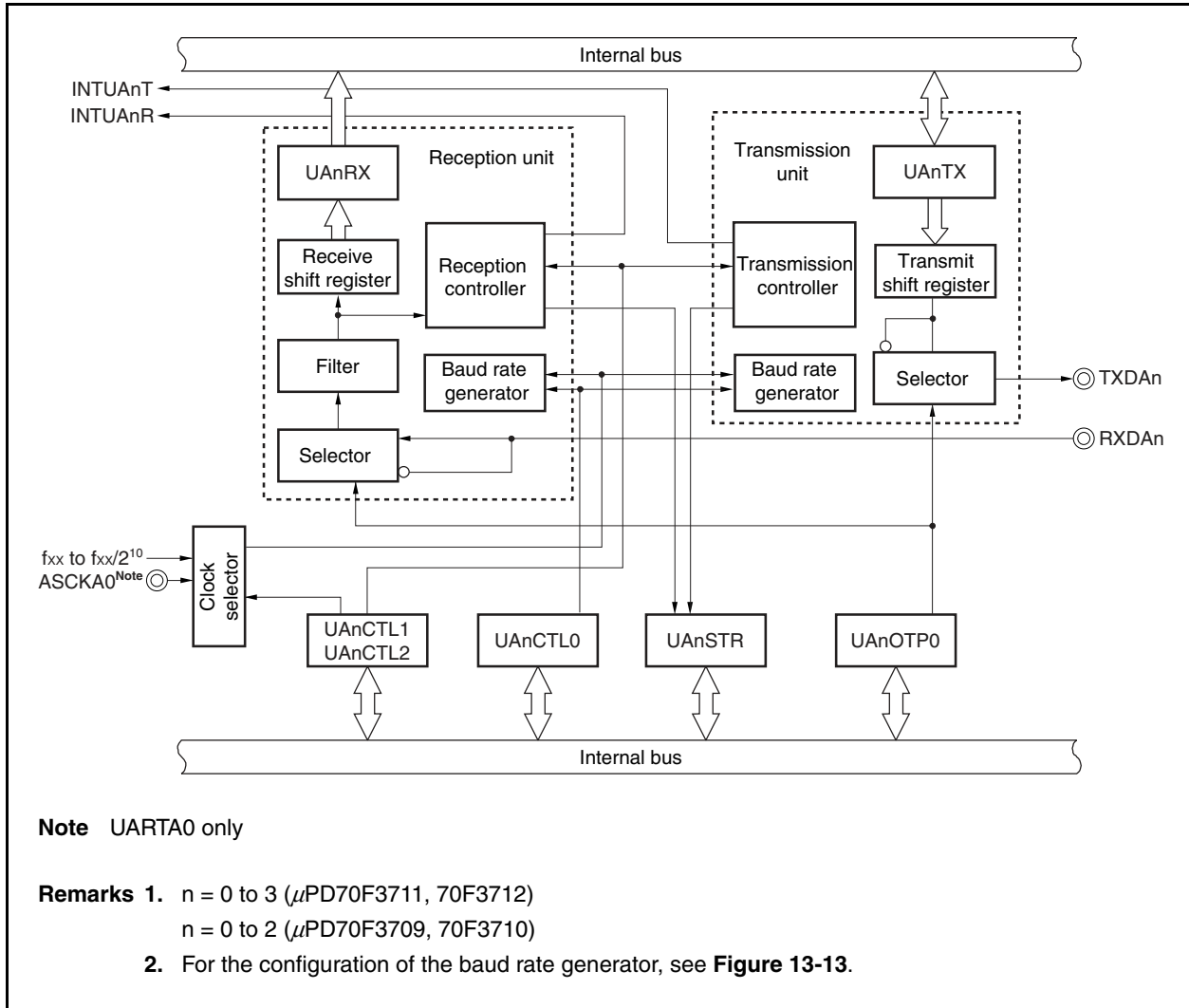
- Transfer rate: 300 bps to 312.5 kbps (using internal system clock of 20 MHz and dedicated baud rate generator)
- Full-duplex communication: Internal UARTAn receive data register (UAnRX)
Internal UARTAn transmit data register (UAnTX)
- 2-pin configuration: TXDAn: Transmit data output pin
RXDAn: Receive data input pin
- Reception error output function
 - Parity error
 - Framing error
 - Overrun error
- Interrupt sources: 2
 - Reception complete interrupt (INTUAnR): An interrupt is generated in the reception enabled status by ORing three types of reception errors. It is also generated when receive data is transferred from the receive shift register to the receive data register after completion of serial transfer.
 - Transmission enable interrupt (INTUAnT): This interrupt occurs upon transfer of transmit data from the transmit data register to the transmit shift register in the transmission enabled status.
- Character length: 7, 8 bits
- Parity function: Odd, even, 0, none
- Transmission stop bit: 1, 2 bits
- On-chip dedicated baud rate generator
- MSB-/LSB-first transfer selectable
- Transmit/receive data inverted input/output possible
- SBF (Sync Break Field) transmission/reception in the LIN (Local Interconnect Network) communication format possible
 - 13 to 20 bits selectable for SBF transmission
 - Recognition of 11 bits or more possible for SBF reception
 - SBF reception flag provided

Remark n = 0 to 3 (μ PD70F3711, 70F3712)
n = 0 to 2 (μ PD70F3709, 70F3710)

13.2 Configuration

The block diagram of the UARTAn is shown below.

Figure 13-1. Block Diagram of Asynchronous Serial Interface An



UARTAn includes the following hardware units.

Table 13-2. Configuration of UARTAn

Item	Configuration
Registers	UARTAn control register 0 (UANCTL0) UARTAn control register 1 (UANCTL1) UARTAn control register 2 (UANCTL2) UARTAn option control register 0 (UANOPT0) UARTAn status register (UANSTR) UARTAn receive shift register UARTAn receive data register (UANRX) UARTAn transmit shift register UARTAn transmit data register (UANTX)

(1) UARTAn control register 0 (UAnCTL0)

The UAnCTL0 register is an 8-bit register used to specify the UARTAn operation.

(2) UARTAn control register 1 (UAnCTL1)

The UAnCTL1 register is an 8-bit register used to select the input clock for the UARTAn.

(3) UARTAn control register 2 (UAnCTL2)

The UAnCTL2 register is an 8-bit register used to control the baud rate for the UARTAn.

(4) UARTAn option control register 0 (UAnOPT0)

The UAnOPT0 register is an 8-bit register used to control serial transfer for the UARTAn.

(5) UARTAn status register (UAnSTR)

The UAnSTRn register consists of flags indicating the error contents when a reception error occurs. Each one of the reception error flags is set (to 1) upon occurrence of a reception error and is reset (to 0) by reading the UAnSTR register.

(6) UARTAn receive shift register

This is a shift register used to convert the serial data input to the RXDAn pin into parallel data. Upon reception of 1 byte of data and detection of the stop bit, the receive data is transferred to the UAnRX register.

This register cannot be manipulated directly.

(7) UARTAn receive data register (UAnRX)

The UAnRX register is an 8-bit register that holds receive data. When 7 characters are received, 0 is stored in the highest bit (when data is received LSB first).

In the reception enabled status, receive data is transferred from the UARTAn receive shift register to the UAnRX register in synchronization with the completion of shift-in processing of 1 frame.

Transfer to the UAnRX register also causes the reception complete interrupt request signal (INTUAnR) to be output.

(8) UARTAn transmit shift register

The transmit shift register is a shift register used to convert the parallel data transferred from the UAnTX register into serial data.

When 1 byte of data is transferred from the UAnTX register, the shift register data is output from the TXDAn pin.

This register cannot be manipulated directly.

(9) UARTAn transmit data register (UAnTX)

The UAnTX register is an 8-bit transmit data buffer. Transmission starts when transmit data is written to the UAnTX register. When data can be written to the UAnTX register (when data of one frame is transferred from the UAnTX register to the UARTAn transmit shift register), the transmission enable interrupt request signal (INTUAnT) is generated.

13.3 Registers

(1) UARTAn control register 0 (UAnCTL0)

The UAnCTL0 register is an 8-bit register that controls the UARTAn serial transfer operation.

This register can be read or written in 8-bit or 1-bit units.

Reset sets this register to 10H.

(1/2)

After reset: 10H R/W Address: UA0CTL0 FFFFA00H, UA1CTL0 FFFFA10H,
UA2CTL0 FFFFA20H, UA3CTL0 FFFFA30H

UAnCTL0	7	6	5	4	3	2	1	0
	UAnPWR	UAnTXE	UAnRXE	UAnDIR	UAnPS1	UAnPS0	UAnCL	UAnSL

UAnPWR	UARTAn operation control
0	Disable UARTAn operation (UARTAn reset asynchronously)
1	Enable UARTAn operation
The UARTAn operation is controlled by the UAnPWR bit. The TXDAn pin output is fixed to high level by clearing the UAnPWR bit to 0 (fixed to low level if UAnOPT0.UAnTDL bit = 1).	

UAnTXE	Transmission operation enable
0	Disable transmission operation
1	Enable transmission operation
<ul style="list-style-type: none"> To start transmission, set the UAnPWR bit to 1 and then set the UAnTXE bit to 1. To stop, transmission clear the UAnTXE bit to 0 and then UAnPWR bit to 0. To initialize the transmission unit, clear the UAnTXE bit to 0, wait for two cycles of the base clock, and then set the UAnTXE bit to 1 again. Otherwise, initialization may not be executed (for the base clock, see 13.6 (1) (a) Base clock). 	

UAnRXE	Reception operation enable
0	Disable reception operation
1	Enable reception operation
<ul style="list-style-type: none"> To start reception, set the UAnPWR bit to 1 and then set the UAnRXE bit to 1. To stop reception, clear the UAnRXE bit to 0 and then UAnPWR bit to 0. To initialize the reception unit, clear the UAnRXE bit to 0, wait for two periods of the base clock, and then set the UAnRXE bit to 1 again. Otherwise, initialization may not be executed (for the base clock, see 13.6 (1) (a) Base clock). 	

Remark n = 0 to 3: μ PD70F3711, 70F3712
n = 0 to 2: μ PD70F3709, 70F3710

<R>

UAnDIR	Transfer direction selection
0	MSB-first transfer
1	LSB-first transfer

- This register can be rewritten only when the UAnPWR bit = 0 or the UAnTXE bit = the UAnRXE bit = 0.
- When transmission and reception are performed in the LIN format, set the UAnDIR bit to 1.

UAnPS1	UAnPS0	Parity selection during transmission	Parity selection during reception
0	0	No parity output	Reception with no parity
0	1	0 parity output	Reception with 0 parity
1	0	Odd parity output	Odd parity check
1	1	Even parity output	Even parity check

- This register is rewritten only when the UAnPWR bit = 0 or the UAnTXE bit = the UAnRXE bit = 0.
- If “Reception with 0 parity” is selected during reception, a parity check is not performed. Therefore, the UAnSTR.UAnPE bit is not set.
- When transmission and reception are performed in the LIN format, clear the UAnPS1 and UAnPS0 bits to 00.

<R>

UAnCL	Specification of data character length of 1 frame of transmit/receive data
0	7 bits
1	8 bits

- This register can be rewritten only when the UAnPWR bit = 0 or the UAnTXE bit = the UAnRXE bit = 0.
- When transmission and reception are performed in the LIN format, set the UAnCL bit to 1.

UAnSL	Specification of length of stop bit for transmit data
0	1 bit
1	2 bits

This register can be rewritten only when the UAnPWR bit = 0 or the UAnTXE bit = the UAnRXE bit = 0.

Remark For details of parity, see **13.5.9 Parity types and operations**.

(2) UARTAn control register 1 (UAnCTL1)

For details, see 13.6 (2) UARTAn control register 1 (UAnCTL1).

(3) UARTAn control register 2 (UAnCTL2)

For details, see 13.6 (3) UARTAn control register 2 (UAnCTL2).

(4) UARTAn option control register 0 (UAnOPT0)

The UAnOPT0 register is an 8-bit register that controls the serial transfer operation of the UARTAn register.

This register can be read or written in 8-bit or 1-bit units.

Reset sets this register to 14H.

(1/2)

After reset: 14H R/W Address: UA0OPT0 FFFFFFFA03H, UA1OPT0 FFFFFFFA13H,
UA2OPT0 FFFFFFFA23H, UA3OPT0 FFFFFFFA33H

UAnOPT0	7	6	5	4	3	2	1	0
	UAnSRF	UAnSRT	UAnSTT	UAnSLS2	UAnSLS1	UAnSLS0	UAnTDL	UAnRDL

UAnSRF	SBF reception flag
0	When the UAnCTL0.UAnPWR bit = UAnCTL0.UAnRXE bit = 0 are set. Also upon normal end of SBF reception.
1	During SBF reception
<ul style="list-style-type: none"> • SBF (Sync Break Field) reception is judged during LIN communication. • The UAnSRF bit is held at 1 when an SBF reception error occurs, and then SBF reception is started again. • UAnSRF bit is a read-only bit. 	

UAnSRT	SBF reception trigger
0	–
1	SBF reception trigger
<ul style="list-style-type: none"> • This is the SBF reception trigger bit during LIN communication, and when read, “0” is always read. For SBF reception, set the UAnSRT bit (to 1) to enable SBF reception. • Set the UAnSRT bit after setting the UAnPWR bit = UAnRXE bit = 1. 	

UAnSTT	SBF transmission trigger
0	–
1	SBF transmission trigger
<ul style="list-style-type: none"> • This is the SBF transmission trigger bit during LIN communication, and when read, “0” is always read. • Set the UAnSTT bit after setting the UAnPWR bit = UAnTXE bit = 1. 	

Caution Do not set the UAnSRT and UAnSTT bits (to 1) during SBF reception (UAnSRF bit = 1).

Remark n = 0 to 3: μ PD70F3711, 70F3712
n = 0 to 2: μ PD70F3709, 70F3710

<R>

UAnSLS2	UAnSLS1	UAnSLS0	SBF transmit length selection
1	0	1	13-bit output (reset value)
1	1	0	14-bit output
1	1	1	15-bit output
0	0	0	16-bit output
0	0	1	17-bit output
0	1	0	18-bit output
0	1	1	19-bit output
1	0	0	20-bit output

This register can be set when the UAnPWR bit = 0 or when the UAnTXE bit = 0.

UAnTDL	Transmit data level bit
0	Normal output of transfer data
1	Inverted output of transfer data

- The output level of the TXDAn pin can be inverted using the UAnTDL bit.
- This register can be set when the UAnPWR bit = 0 or when the UAnTXE bit = 0.

UAnRDL	Receive data level bit
0	Normal input of transfer data
1	Inverted input of transfer data

- The input level of the RXDAn pin can be inverted using the UAnRDL bit.
- This register can be set when the UAnPWR bit = 0 or the UAnRXE bit = 0.

(5) UARTAn status register (UAnSTR)

The UAnSTR register is an 8-bit register that displays the UARTAn transfer status and reception error contents. This register can be read or written in 8-bit or 1-bit units, but the UAnTSF bit is a read-only bit, while the UAnPE, UAnFE, and UAnOVE bits can both be read and written. However, these bits can only be cleared by writing 0; they cannot be set by writing 1 (even if 1 is written to them, the value is retained).

The initialization conditions are shown below.

Register/Bit	Initialization Conditions
UAnSTR register	<ul style="list-style-type: none"> • Reset • UAnCTL0.UAnPWR = 0
UAnTSF bit	<ul style="list-style-type: none"> • UAnCTL0.UAnTXE = 0
UAnPE, UAnFE, UAnOVE bits	<ul style="list-style-type: none"> • 0 write • UAnCTL0.UAnRXE = 0

After reset: 00H R/W Address: UA0STR FFFFFFFA04H, UA1STR FFFFFFFA14H,
UA2STR FFFFFFFA24H, UA3STR FFFFFFFA34H

	7	6	5	4	3	2	1	0
UAnSTR	UAnTSF	0	0	0	0	UAnPE	UAnFE	UAnOVE

UAnTSF	Transfer status flag
0	<ul style="list-style-type: none"> When the UAnPWR bit = 0 or the UAnTXE bit = 0 has been set. When, following transfer completion, there was no next data transfer from UAnTX register
1	Write to UAnTX register
<p>The UAnTSF bit is always 1 when performing continuous transmission. When initializing the transmission unit, check that the UAnTSF bit = 0 before performing initialization. The transmit data is not guaranteed when initialization is performed while the UAnTSF bit = 1.</p>	

UAnPE	Parity error flag
0	<ul style="list-style-type: none"> When the UAnPWR bit = 0 or the UAnRXE bit = 0 has been set. When 0 has been written
1	When parity of data and parity bit do not match during reception.
<ul style="list-style-type: none"> The operation of the UAnPE bit is controlled by the settings of the UAnCTL0.UAnPS1 and UAnCTL0.UAnPS0 bits. The UAnPE bit can be read and written, but it can only be cleared by writing 0 to it, and it cannot be set by writing 1 to it. When 1 is written to this bit, the value is retained. 	

UAnFE	Framing error flag
0	<ul style="list-style-type: none"> When the UAnPWR bit = 0 or the UAnRXE bit = 0 has been set When 0 has been written
1	When no stop bit is detected during reception
<ul style="list-style-type: none"> Only the first bit of the receive data stop bits is checked, regardless of the value of the UAnCTL0.UAnSL bit. The UAnFE bit can be both read and written, but it can only be cleared by writing 0 to it, and it cannot be set by writing 1 to it. When 1 is written to this bit, the value is retained. 	

UAnOVE	Overrun error flag
0	<ul style="list-style-type: none"> When the UAnPWR bit = 0 or the UAnRXE bit = 0 has been set. When 0 has been written
1	When receive data has been set to the UAnRX register and the next receive operation is completed before that receive data has been read
<ul style="list-style-type: none"> When an overrun error occurs, the data is discarded without the next receive data being written to the receive buffer. The UAnOVE bit can be both read and written, but it can only be cleared by writing 0 to it. When 1 is written to this bit, the value is retained. 	

Remark n = 0 to 3: μ PD70F3711, 70F3712
n = 0 to 2: μ PD70F3709, 70F3710

(6) UARTAn receive data register (UAnRX)

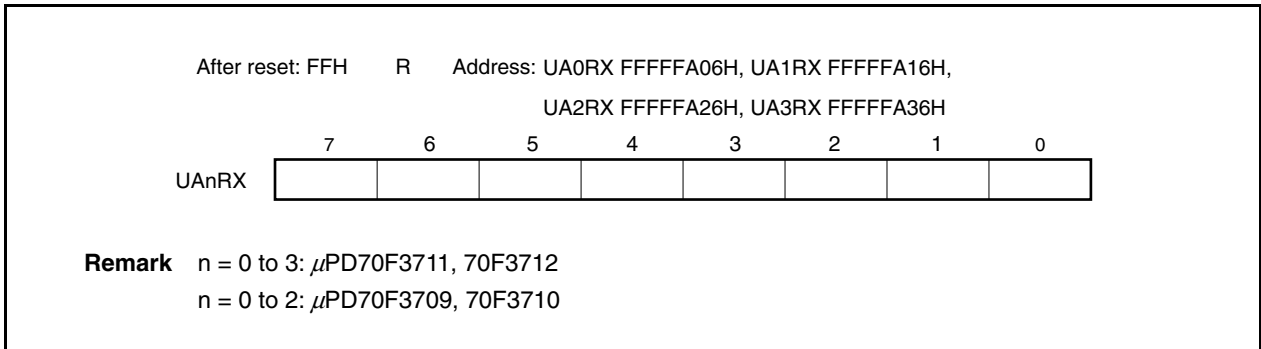
The UAnRX register is an 8-bit buffer register that stores parallel data converted by the receive shift register. The data stored in the receive shift register is transferred to the UAnRX register upon completion of reception of 1 byte of data.

During LSB-first reception when the data length has been specified as 7 bits, the receive data is transferred to bits 6 to 0 of the UAnRX register and the MSB always becomes 0. During MSB-first reception, the receive data is transferred to bits 7 to 1 of the UAnRX register and the LSB always becomes 0.

When an overrun error (UAnOVE) occurs, the receive data at this time is not transferred to the UAnRX register and is discarded.

This register is read-only, in 8-bit units.

In addition to reset input, the UAnRX register can be set to FFH by clearing the UAnCTL0.UAnPWR bit to 0.

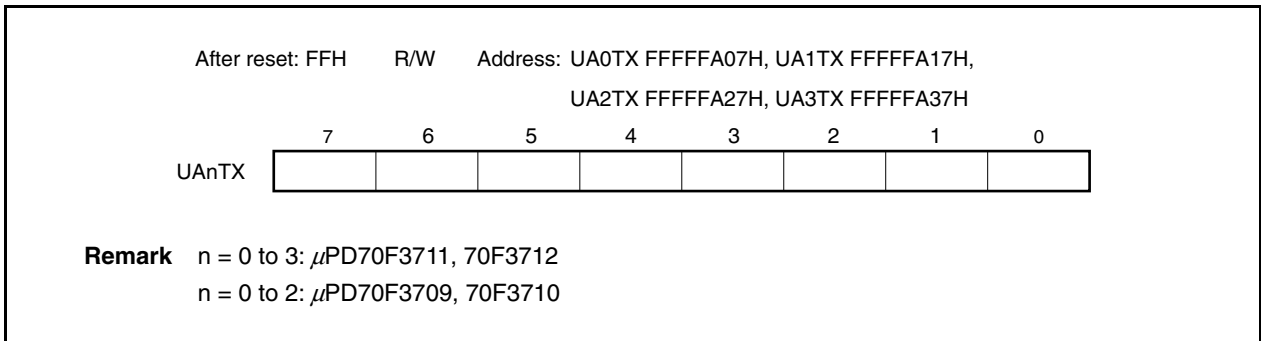


(7) UARTAn transmit data register (UAnTX)

The UAnTX register is an 8-bit register used to set transmit data.

This register can be read or written in 8-bit units.

Reset sets this register to FFH.



13.4 Interrupt Request Signals

The following two interrupt request signals are generated from UARTAn.

- Reception complete interrupt request signal (INTUAnR)
- Transmission enable interrupt request signal (INTUAnT)

The default priority for these two interrupt request signals is reception complete interrupt request signal then transmission enable interrupt request signal.

Table 13-3. Interrupts and Their Default Priorities

Interrupt	Priority
Reception complete	High
Transmission enable	Low

(1) Reception complete interrupt request signal (INTUAnR)

A reception complete interrupt request signal is output when data is shifted into the receive shift register and transferred to the UAnRX register in the reception enabled status.

<R> A reception complete interrupt request signal is also output when a reception error occurs. Therefore, when a reception complete interrupt request signal is received and the data is read, read the UAnSTR register and check that the reception result is not an error.

No reception complete interrupt request signal is generated in the reception disabled status.

(2) Transmission enable interrupt request signal (INTUAnT)

If transmit data is transferred from the UAnTX register to the UARTAn transmit shift register with transmission enabled, the transmission enable interrupt request signal is generated.

13.5 Operation

13.5.1 Data format

Full-duplex serial data reception and transmission is performed.

As shown in Figure 13-2, one data frame of transmit/receive data consists of a start bit, character bits, parity bit, and stop bit(s).

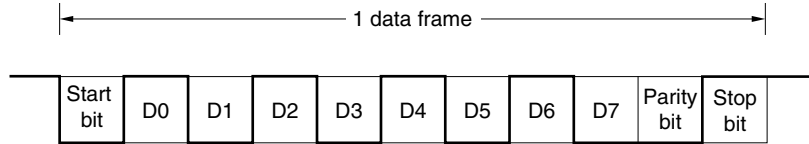
Specification of the character bit length within 1 data frame, parity selection, specification of the stop bit length, and specification of MSB/LSB-first transfer are performed using the UAnCTL0 register.

Moreover, control of UART output/inverted output for the TXDAn bit is performed using the UAnOPT0.UAnTDL bit.

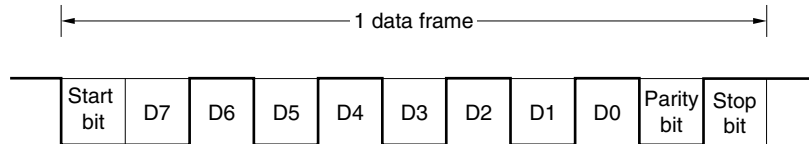
- Start bit 1 bit
- Character bits..... 7 bits/8 bits
- Parity bit Even parity/odd parity/0 parity/no parity
- Stop bit..... 1 bit/2 bits

Figure 13-2. UARTA Transmit/Receive Data Format

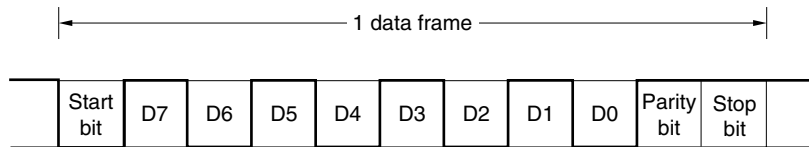
(a) 8-bit data length, LSB first, even parity, 1 stop bit, transfer data: 55H



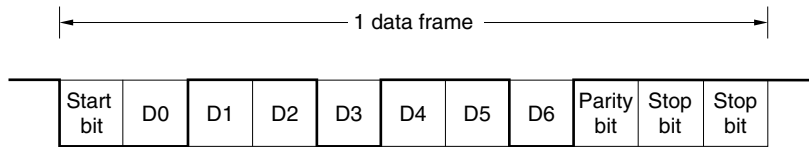
(b) 8-bit data length, MSB first, even parity, 1 stop bit, transfer data: 55H



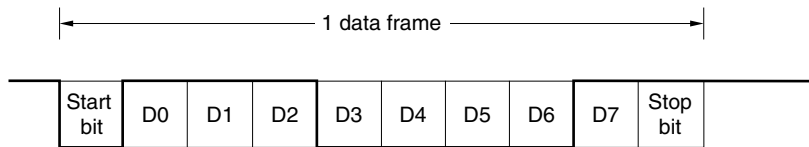
(c) 8-bit data length, MSB first, even parity, 1 stop bit, transfer data: 55H, TXDAn inversion



(d) 7-bit data length, LSB first, odd parity, 2 stop bits, transfer data: 36H



(e) 8-bit data length, LSB first, no parity, 1 stop bit, transfer data: 87H



13.5.2 SBF transmission/reception format

The V850ES/HJ2 has an SBF (Sync Break Field) transmission/reception control function to enable use of the LIN function.

Remark LIN stands for Local Interconnect Network and is a low-speed (1 to 20 kbps) serial communication protocol intended to aid the cost reduction of an automotive network.

LIN communication is single-master communication, and up to 15 slaves can be connected to one master.

The LIN slaves are used to control the switches, actuators, and sensors, and these are connected to the LIN master via the LIN network.

Normally, the LIN master is connected to a network such as CAN (Controller Area Network).

In addition, the LIN bus uses a single-wire method and is connected to the nodes via a transceiver that complies with ISO9141.

In the LIN protocol, the master transmits a frame with baud rate information and the slave receives it and corrects the baud rate error. Therefore, communication is possible when the baud rate error in the slave is $\pm 15\%$ or less.

Figures 13-3 and 13-4 outline the transmission and reception manipulations of LIN.

Figure 13-3. LIN Transmission Manipulation Outline

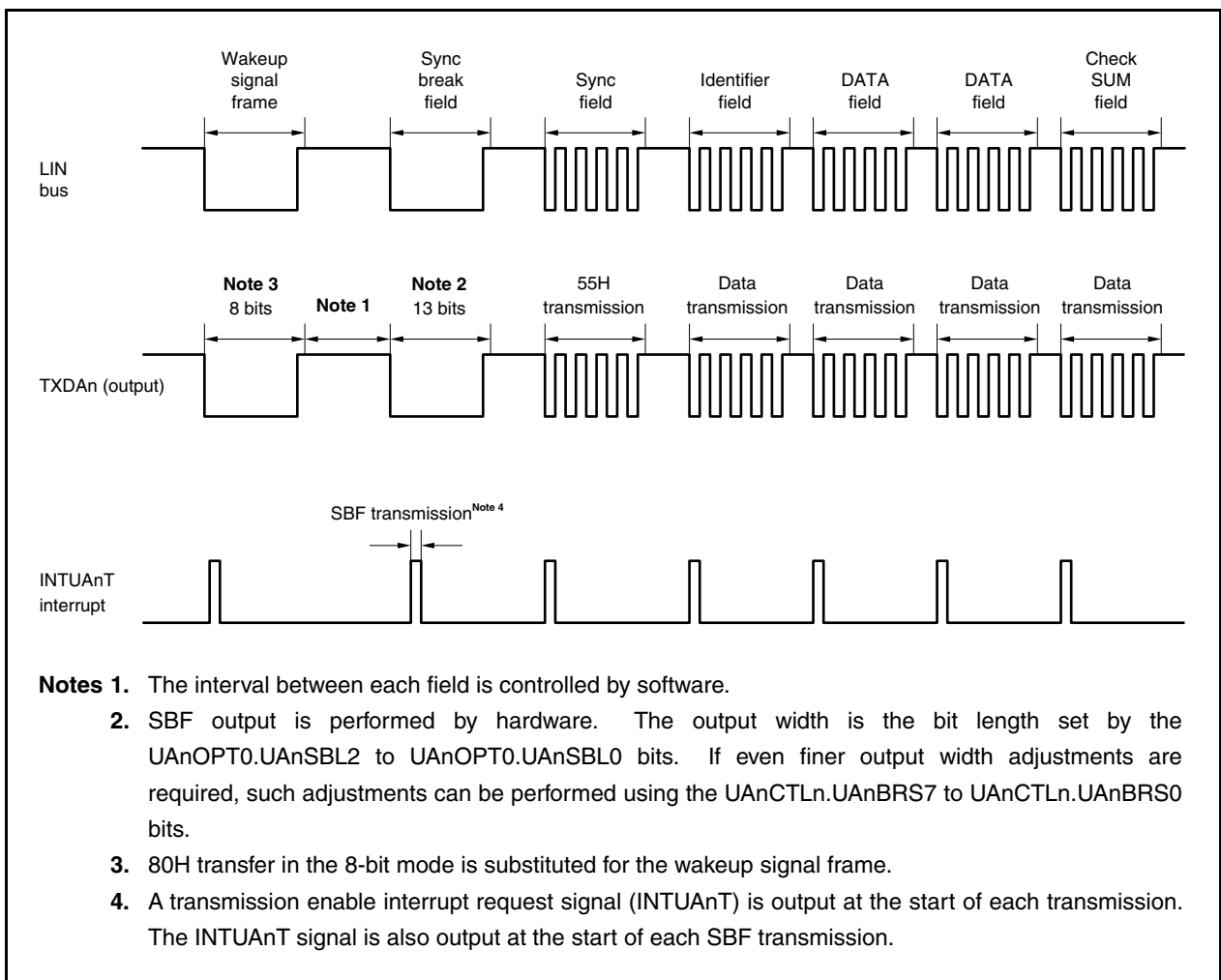
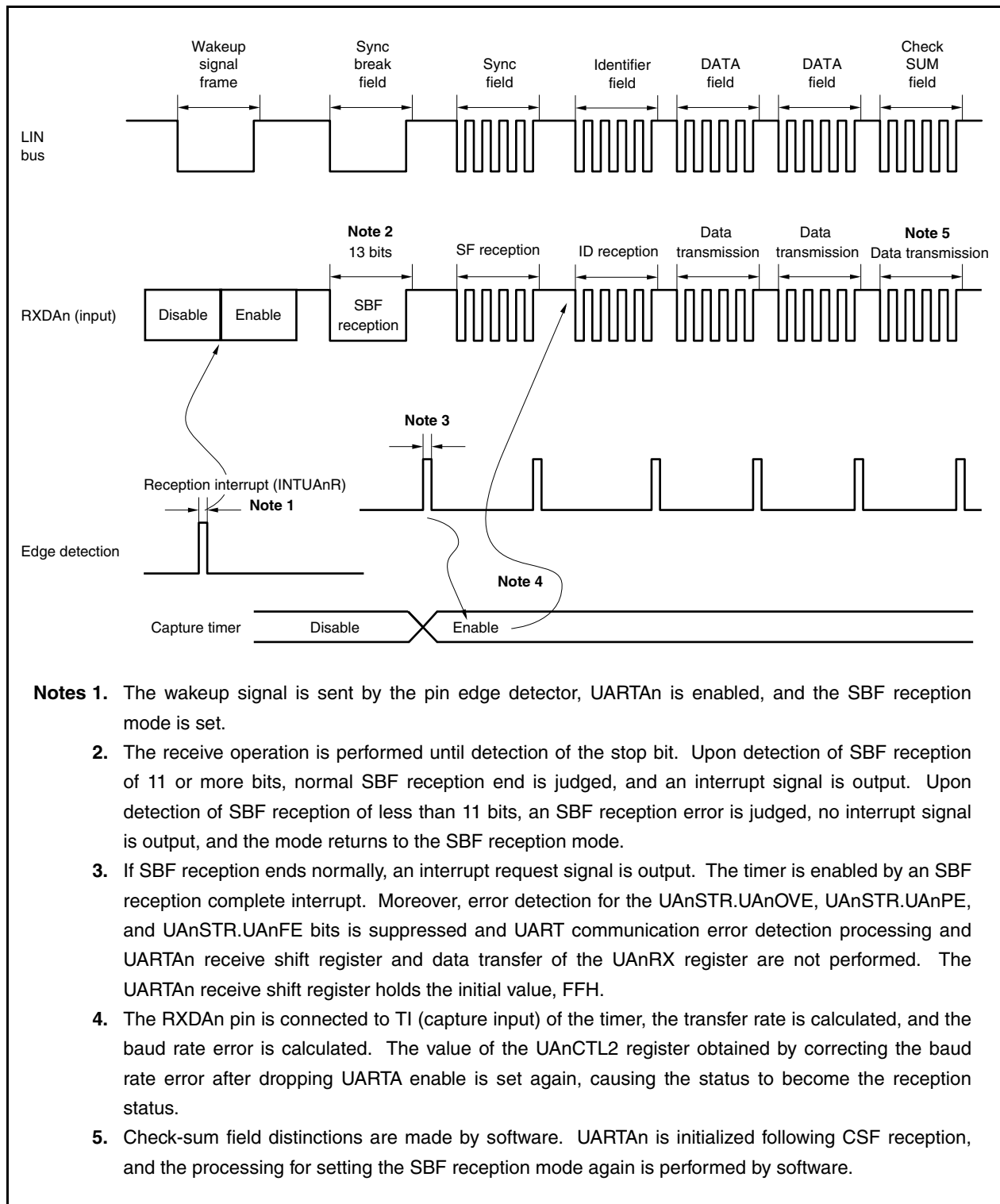


Figure 13-4. LIN Reception Manipulation Outline



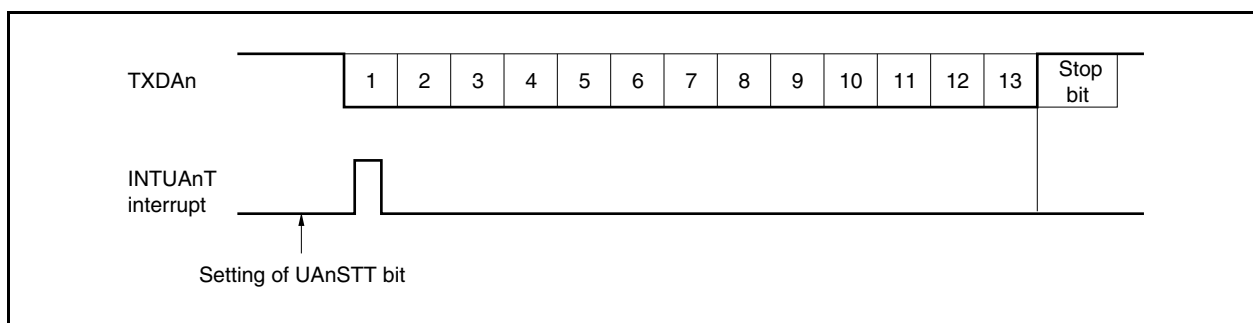
13.5.3 SBF transmission

When the UAnCTL0.UAnPWR bit = UAnCTL0.UAnTXE bit = 1, the transmission enabled status is entered, and SBF transmission is started by setting (to 1) the SBF transmission trigger (UAnOPT0.UAnSTT bit).

Thereafter, a low level the width of bits 13 to 20 specified by the UAnOPT0.UAnSLS2 to UAnOPT0.UAnSLS0 bits is output. A transmission enable interrupt request signal (INTUAnT) is generated upon SBF transmission start. Following the end of SBF transmission, the UAnSTT bit is automatically cleared. Thereafter, the UART transmission mode is restored.

Transmission is suspended until the data to be transmitted next is written to the UAnTX register, or until the SBF transmission trigger (UAnSTT bit) is set.

Figure 13-5. SBF Transmission



13.5.4 SBF reception

The reception enabled status is achieved by setting the UAnCTL0.UAnPWR bit to 1 and then setting the UAnCTL0.UAnRXE bit to 1.

The SBF reception wait status is set by setting the SBF reception trigger (UAnOPT0.UAnSTR bit) to 1.

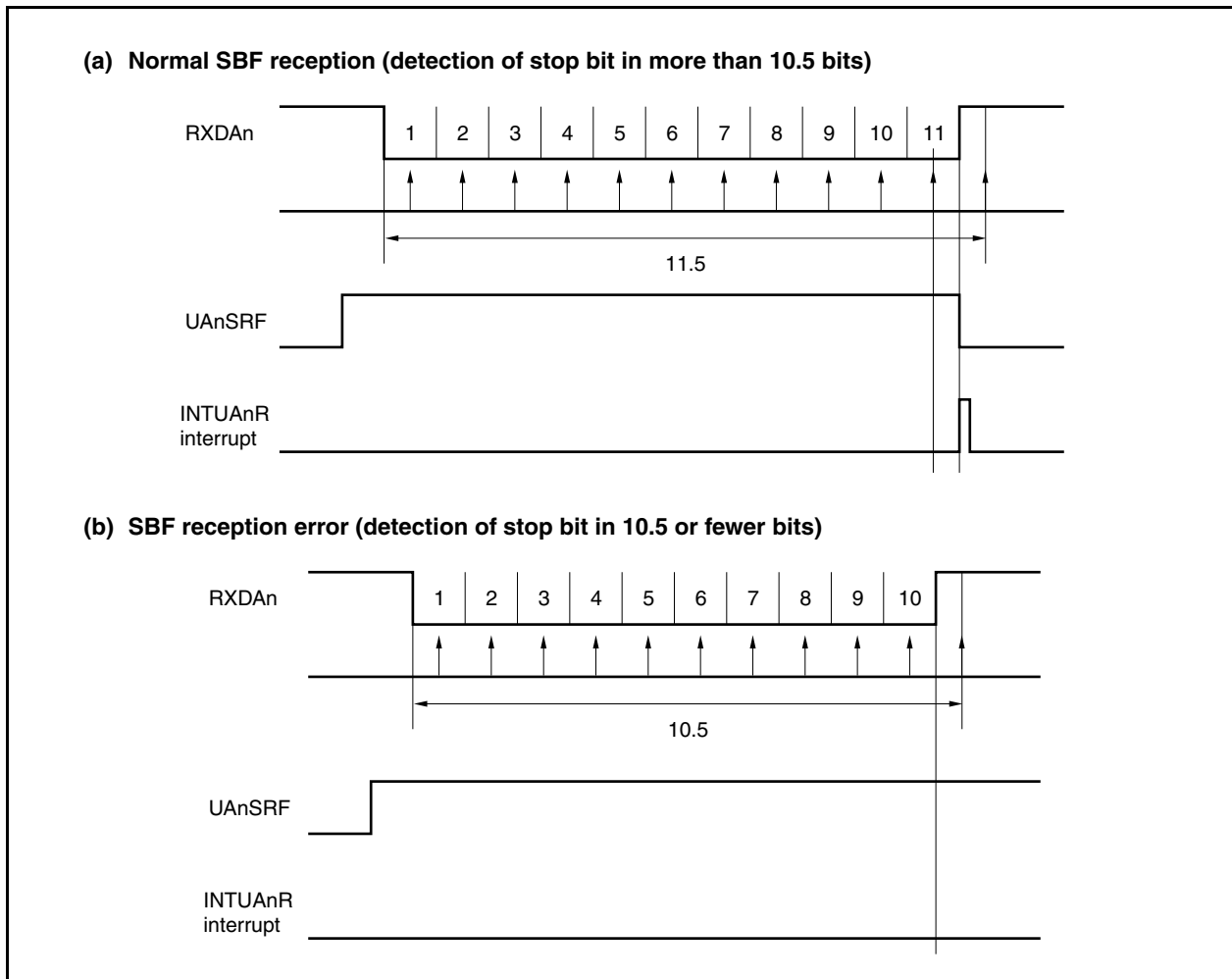
In the SBF reception wait status, similarly to the UART reception wait status, the RXDAn pin is monitored and start bit detection is performed.

Following detection of the start bit, reception is started and the internal counter counts up according to the set baud rate.

When a stop bit is received, if the SBF width is 11 or more bits, normal processing is judged and a reception complete interrupt request signal (INTUAnR) is output. The UAnOPT0.UAnSRF bit is automatically cleared and SBF reception ends. Error detection for the UAnSTR.UAnOVE, UAnSTR.UAnPE, and UAnSTR.UAnFE bits is suppressed and UART communication error detection processing is not performed. Moreover, data transfer of the UARTAn receive shift register and UAnRX register is not performed and FFH, the initial value, is held. If the SBF width is 10 or fewer bits, reception is terminated as error processing without outputting an interrupt, and the SBF reception mode is returned to. The UAnSRF bit is not cleared at this time.

- <R> **Cautions 1. If SBF is transmitted during a data reception, a framing error occurs.**
- <R> **2. Do not set the SBF reception trigger bit (UAnSRT) and SBF transmission trigger bit (UAnSTT) to 1 during an SBF reception (UAnSRF = 1).**

Figure 13-6. SBF Reception



13.5.5 UART transmission

A high level is output to the TXDAn pin by setting the UAnCTL0.UAnPWR bit to 1.

Next, the transmission enabled status is set by setting the UAnCTL0.UAnTXE bit to 1, and transmission is started by writing transmit data to the UAnTX register. The start bit, parity bit, and stop bit are automatically added.

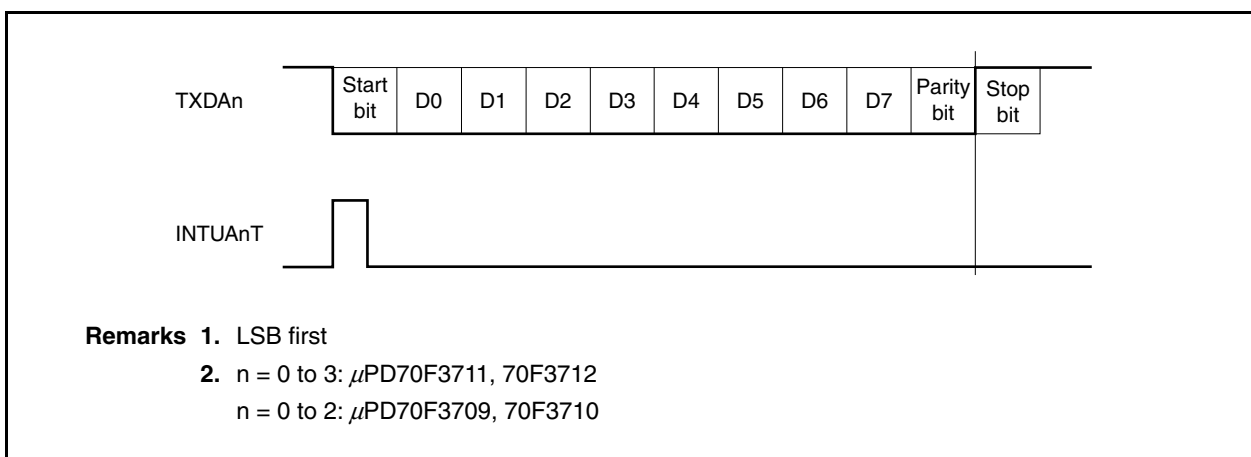
Since the CTS (transmit enable signal) input pin is not provided in UARTAn, use a port to check that reception is enabled at the transmit destination.

The data in the UAnTX register is transferred to the UARTAn transmit shift register upon the start of the transmit operation.

A transmission enable interrupt request signal (INTUAnT) is generated upon completion of transmission of the data of the UAnTX register to the UARTAn transmit shift register, and thereafter the contents of the UARTAn transmit shift register are output to the TXDAn pin.

Write of the next transmit data to the UAnTX register is enabled after the INTUAnT signal is generated.

Figure 13-7. UART Transmission



13.5.6 Continuous transmission procedure

UARTAn can write the next transmit data to the UAnTX register when the UARTAn transmit shift register starts the shift operation. The transmit timing of the UARTAn transmit shift register can be judged from the transmission enable interrupt request signal (INTUAnT).

An efficient communication rate is realized by writing the data to be transmitted next to the UAnTX register during transfer.

During continuous transmission, do not write the next transmit data to the UAnTX register before a transmit request interrupt signal (INTUAnT) is generated after transmit data is written to the UAnTX register and transferred to the UARTAn transmit shift register. If a value is written to the UAnTX register before a transmit request interrupt signal is generated, the previously set transmit data is overwritten by the latest transmit data.

Caution When initializing transmissions during the execution of continuous transmissions, make sure that the UAnSTR.UAnTSF bit is 0, then perform the initialization. Transmit data that is initialized when the UAnTSF bit is 1 cannot be guaranteed.

In the case of continuous transmission, the communication rate from the stop bit to the start bit of the next data is extended by two operating clocks from the normal rate.

Figure 13-8. Continuous Transmission Processing Flow

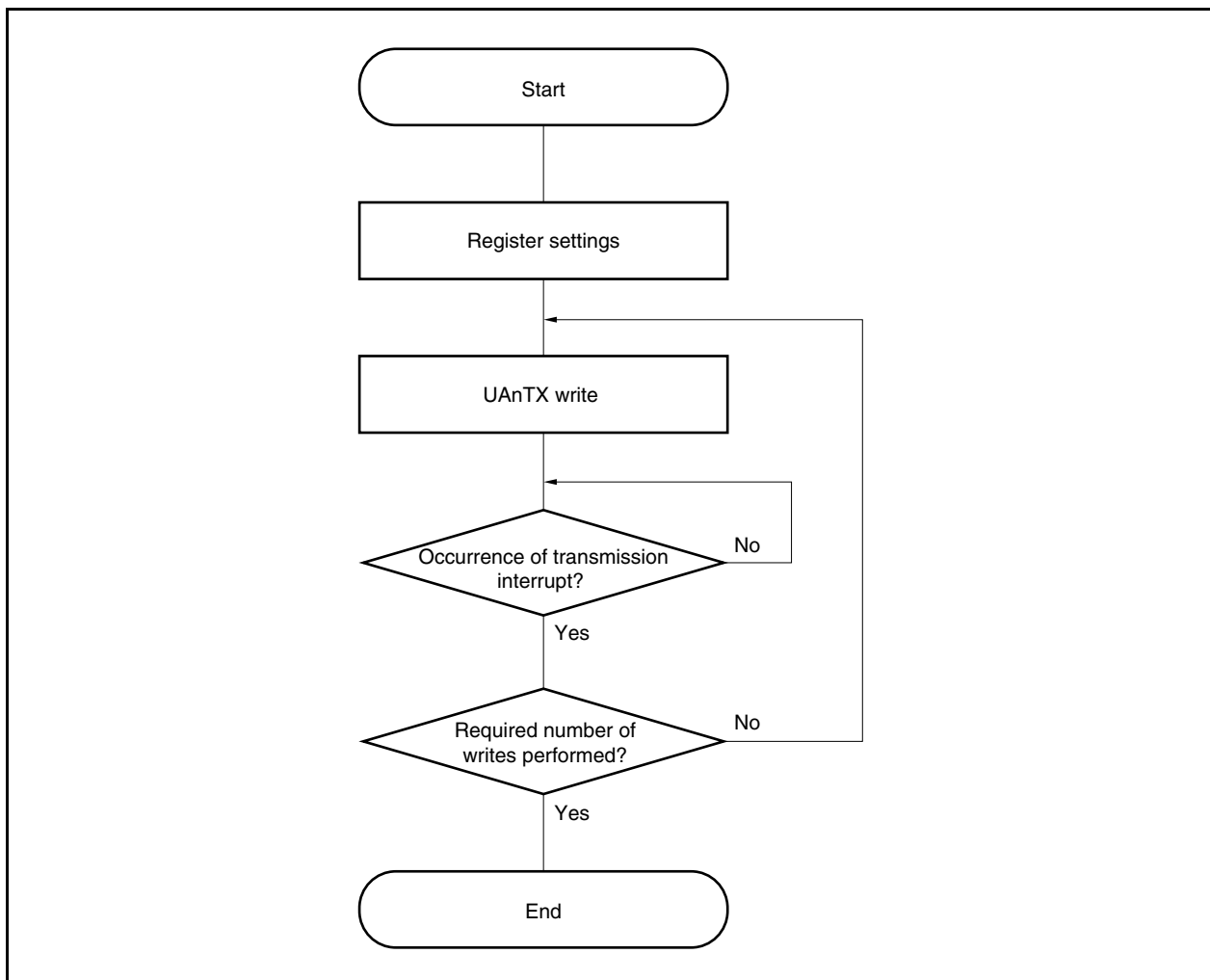
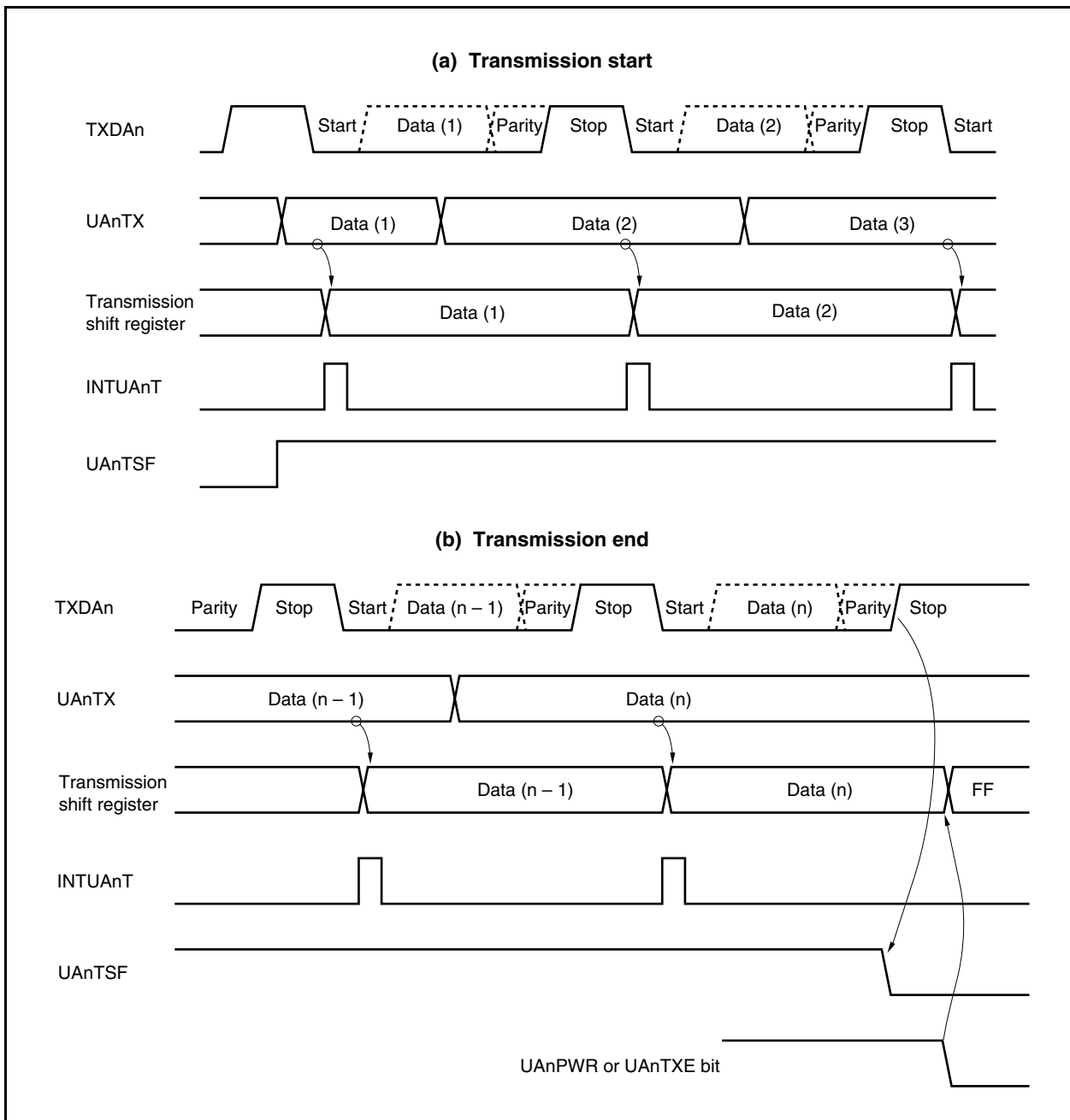


Figure 13-9. Continuous Transmission Operation Timing



13.5.7 UART reception

The reception wait status is set by setting the UAnCTL0.UAnPWR bit to 1 and then setting the UAnCTL0.UAnRXE bit to 1. In the reception wait status, the RXDAn pin is monitored and start bit detection is performed.

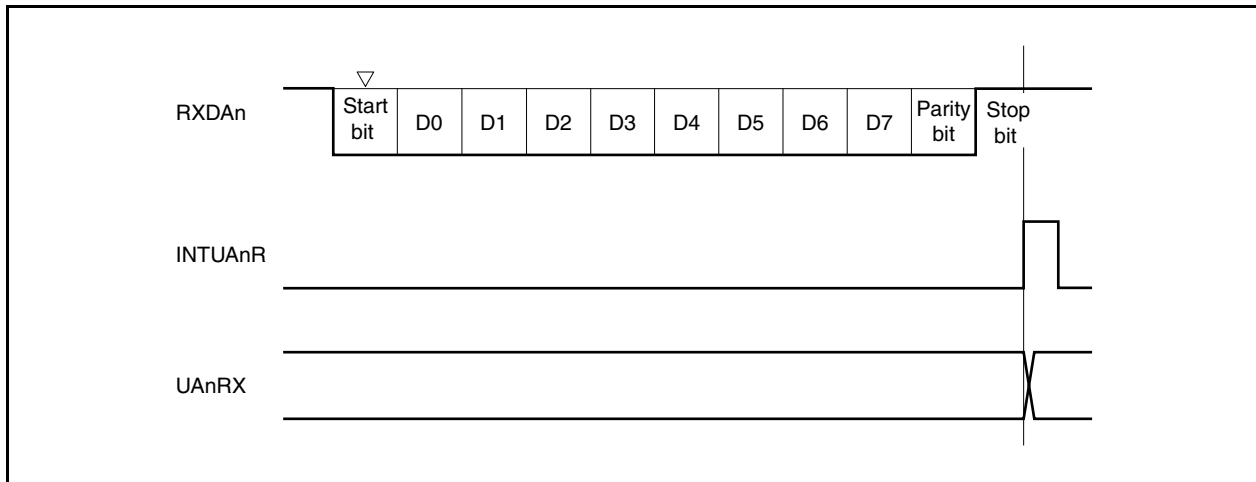
Start bit detection is performed using a two-step detection routine.

First the rising edge of the RXDAn pin is detected and sampling is started at the falling edge. The start bit is recognized if the RXDAn pin is low level at the start bit sampling point. After a start bit has been recognized, the receive operation starts, and serial data is saved to the UARTAn receive shift register according to the set baud rate.

When the reception complete interrupt request signal (INTUAnR) is output upon reception of the stop bit, the data of the UARTAn receive shift register is written to the UAnRX register. However, if an overrun error (UAnSTR.UAnOVE bit) occurs, the receive data at this time is not written to the UAnRX register and is discarded.

Even if a parity error (UAnSTR.UAnPE bit) or a framing error (UAnSTR.UAnFE bit) occurs during reception, reception continues until the reception position of the first stop bit, and INTUAnR is output following reception completion.

Figure 13-10. UART Reception



- Cautions**
1. Be sure to read the UAnRX register even when a reception error occurs. If the UAnRX register is not read, an overrun error occurs during reception of the next data, and reception errors continue occurring indefinitely.
 2. The operation during reception is performed assuming that there is only one stop bit. A second stop bit is ignored.
 3. When reception is completed, read the UAnRX register after the reception complete interrupt request signal (INTUAnR) has been generated, and clear the UAnPWR or UAnRXE bit to 0. If the UAnPWR or UAnRXE bit is cleared to 0 before the INTUAnR signal is generated, the read value of the UAnRX register cannot be guaranteed.
 4. If receive completion processing (INTUAnR signal generation) of UARTAn and the UAnPWR bit = 0 or UAnRXE bit = 0 conflict, the INTUAnR signal may be generated in spite of these being no data stored in the UAnRX register.

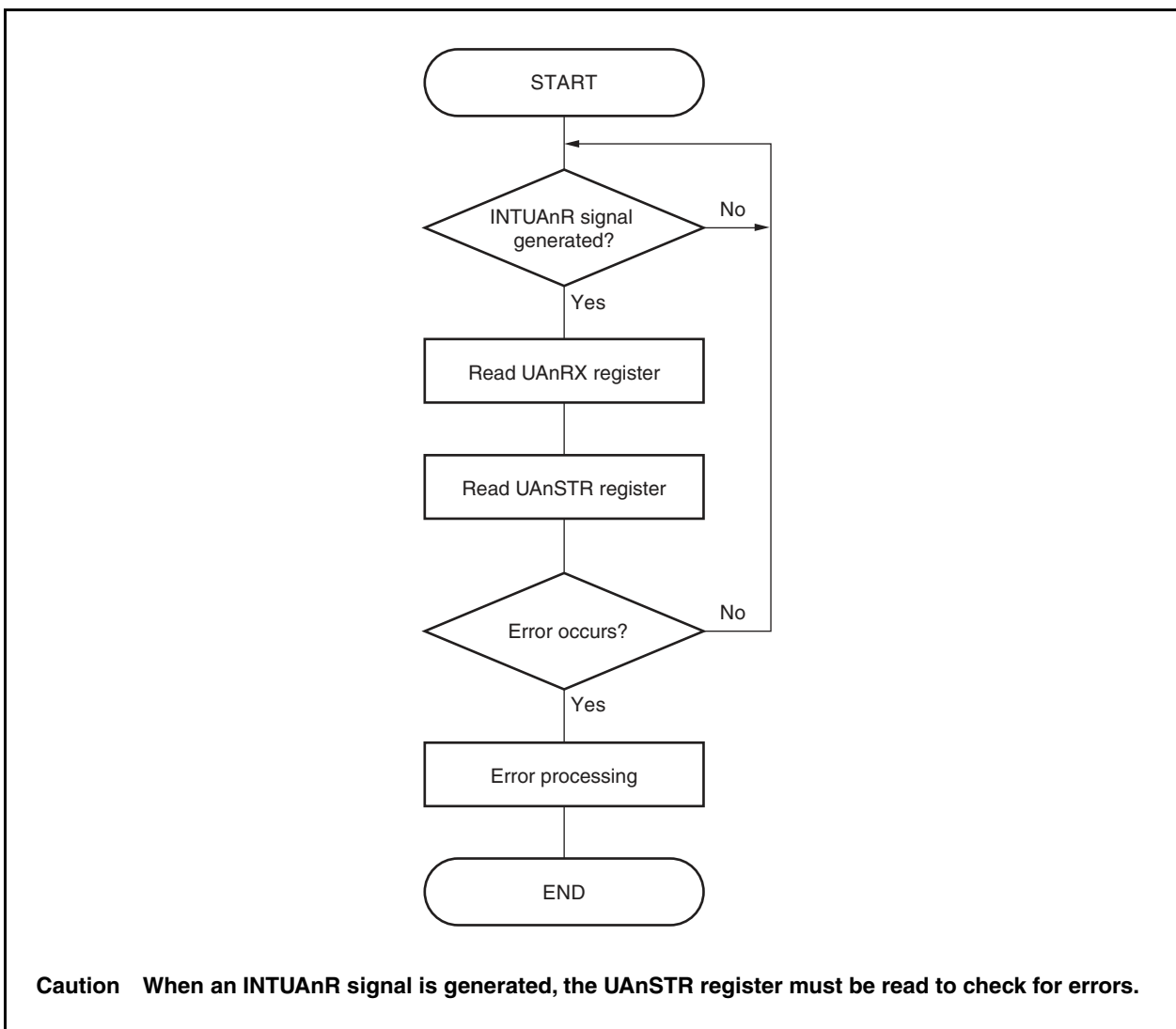
To complete reception without waiting INTUAnR signal generation, be sure to clear (0) the interrupt request flag (UAnRIF) of the UAnRIC register, after setting (1) the interrupt mask flag (UAnRMK) of the interrupt control register (UAnRIC) and then set (1) the UAnPWR bit = 0 or UAnRXE bit = 0.

13.5.8 Reception errors

Errors during a receive operation are of three types: parity errors, framing errors, and overrun errors. Data reception result error flags are set in the UAnSTR register and a reception complete interrupt request signal (INTUAnR) is output when an error occurs.

It is possible to ascertain which error occurred during reception by reading the contents of the UAnSTR register. Clear the reception error flag by writing 0 to it after reading it.

- Receive data read flow



- Reception error causes

Error Flag	Reception Error	Cause
UAnPE	Parity error	Received parity bit does not match the setting
UAnFE	Framing error	Stop bit not detected
UAnOVE	Overrun error	Reception of next data completed before data was read from receive buffer

When reception errors occur, perform the following procedures depending upon the kind of error.

- Parity error
If false data is received due to problems such as noise in the reception line, discard the received data and retransmit.
- Framing error
A baud rate error may have occurred between the reception side and transmission side or the start bit may have been erroneously detected. Since this is a fatal error for the communication format, check the operation stop in the transmission side, perform initialization processing each other, and then start the communication again.
- Overrun error
Since the next reception is completed before reading receive data, 1 frame of data is discarded. If this data was needed, do a retransmission.

Caution If a receive error interrupt occurs during continuous reception, read the contents of the UAnSTR register must be read before the next reception is completed, then perform error processing.

13.5.9 Parity types and operations

Caution When using the LIN function, fix the UAnPS1 and UAnPS0 bits of the UAnCTL0 register to 00.

The parity bit is used to detect bit errors in the communication data. Normally the same parity is used on the transmission side and the reception side.

In the case of even parity and odd parity, it is possible to detect odd-count bit errors. In the case of 0 parity and no parity, errors cannot be detected.

(a) Even parity

(i) During transmission

The number of bits whose value is “1” among the transmit data, including the parity bit, is controlled so as to be an even number. The parity bit values are as follows.

- Odd number of bits whose value is “1” among transmit data: 1
- Even number of bits whose value is “1” among transmit data: 0

(ii) During reception

The number of bits whose value is “1” among the reception data, including the parity bit, is counted, and if it is an odd number, a parity error is output.

(b) Odd parity

(i) During transmission

Opposite to even parity, the number of bits whose value is “1” among the transmit data, including the parity bit, is controlled so that it is an odd number. The parity bit values are as follows.

- Odd number of bits whose value is “1” among transmit data: 0
- Even number of bits whose value is “1” among transmit data: 1

(ii) During reception

The number of bits whose value is “1” among the receive data, including the parity bit, is counted, and if it is an even number, a parity error is output.

(c) 0 parity

During transmission, the parity bit is always made 0, regardless of the transmit data.

During reception, parity bit check is not performed. Therefore, no parity error occurs, regardless of whether the parity bit is 0 or 1.

(d) No parity

No parity bit is added to the transmit data.

Reception is performed assuming that there is no parity bit. No parity error occurs since there is no parity bit.

13.5.10 Receive data noise filter

This filter samples the RXDAn pin using the base clock of the prescaler output.

When the same sampling value is read twice, the match detector output changes and the RXDAn signal is sampled as the input data. Therefore, data not exceeding 2 clock width is judged to be noise and is not delivered to the internal circuit (see **Figure 13-12**). See **13.6 (1) (a) Base clock** regarding the base clock.

Moreover, since the circuit is as shown in Figure 13-11, the processing that goes on within the receive operation is delayed by 3 clocks in relation to the external signal status.

Figure 13-11. Noise Filter Circuit

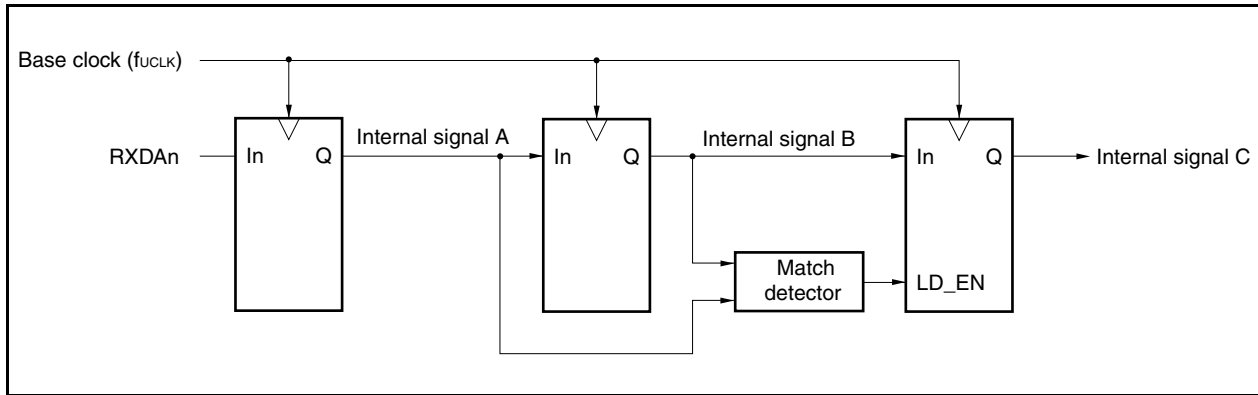
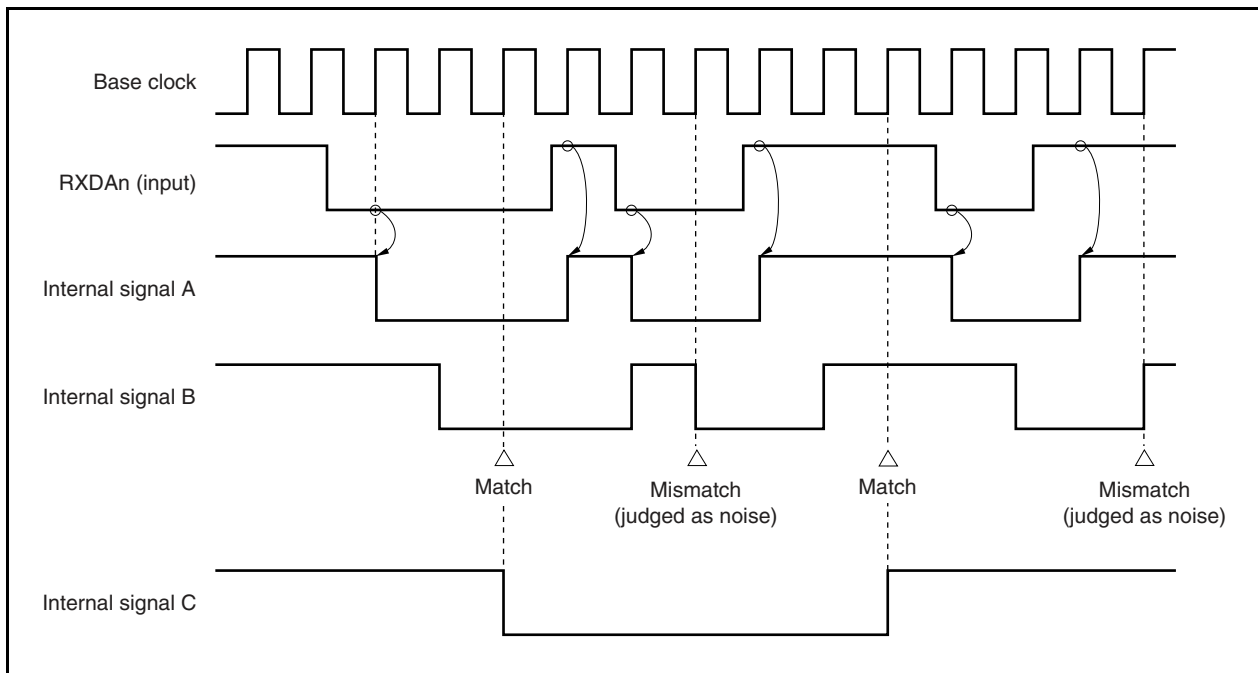


Figure 13-12. Timing of RXDAn Signal Judged as Noise



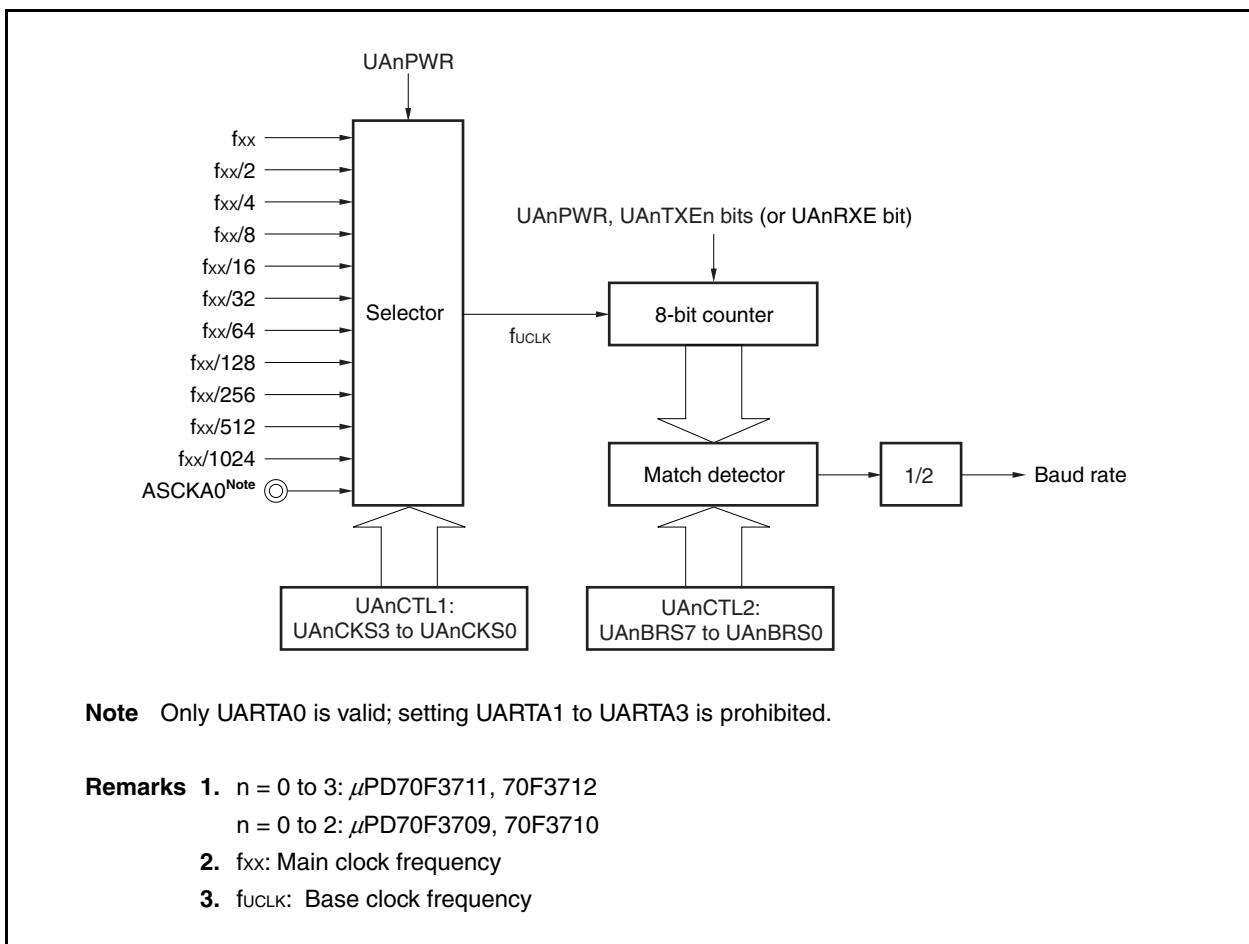
13.6 Dedicated Baud Rate Generator

The dedicated baud rate generator consists of a source clock selector block and an 8-bit programmable counter, and generates a serial clock during transmission and reception with UARTAn. Regarding the serial clock, a dedicated baud rate generator output can be selected for each channel.

There is an 8-bit counter for transmission and another one for reception.

(1) Baud rate generator configuration

Figure 13-13. Configuration of Baud Rate Generator



(a) Base clock

When the UAnCTL0.UAnPWR bit is 1, the clock selected by the UAnCTL1.UAnCKS3 to UAnCTL1.UAnCKS0 bits is supplied to the 8-bit counter. This clock is called the base clock (f_{uCLK}).

(b) Serial clock generation

A serial clock can be generated by setting the UAnCTL1 register and the UAnCTL2 register ($n = 0$ to 3). The base clock is selected by UAnCTL1.UAnCKS3 to UAnCTL1.UAnCKS0 bits.

The frequency division value for the 8-bit counter can be set using the UAnCTL2.UAnBRS7 to UAnCTL2.UAnBRS0 bits.

(2) UARTAn control register 1 (UAnCTL1)

The UAnCTL1 register is an 8-bit register that selects the UARTAn base clock.

This register can be read or written in 8-bit units.

Reset sets this register to 00H.

Caution Clear the UAnCTL0.UAnPWR bit to 0 before rewriting the UAnCTL1 register.

After reset: 00H R/W Address: UA0CTL1 FFFFFFFA01H, UA1CTL1 FFFFFFFA11H,
UA2CTL1 FFFFFFFA21H, UA3CTL1 FFFFFFFA31H

	7	6	5	4	3	2	1	0
UAnCTL1	0	0	0	0	UAnCKS3	UAnCKS2	UAnCKS1	UAnCKS0

UAnCKS3	UAnCKS2	UAnCKS1	UAnCKS0	Base clock (f _{CLK}) selection
0	0	0	0	f _{xx}
0	0	0	1	f _{xx} /2
0	0	1	0	f _{xx} /4
0	0	1	1	f _{xx} /8
0	1	0	0	f _{xx} /16
0	1	0	1	f _{xx} /32
0	1	1	0	f _{xx} /64
0	1	1	1	f _{xx} /128
1	0	0	0	f _{xx} /256
1	0	0	1	f _{xx} /512
1	0	1	0	f _{xx} /1,024
1	0	1	1	External clock ^{Note} (ASCKA0 pin)
Other than above				Setting prohibited

Note Only UARTA0 is valid; setting UARTA1 to UARTA3 is prohibited.

- Remarks**
1. f_{xx}: Main clock frequency
 2. n = 0 to 3: μ PD70F3711, 70F3712
n = 0 to 2: μ PD70F3709, 70F3710

(3) UARTAn control register 2 (UAnCTL2)

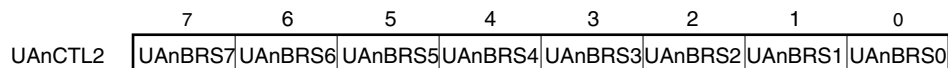
The UAnCTL2 register is an 8-bit register that selects the baud rate (serial transfer speed) clock of UARTAn.

This register can be read or written in 8-bit units.

Reset sets this register to FFH.

Caution Clear the UAnCTL0.UAnPWR bit to 0 or clear the UAnTXE and UAnRXE bits to 00 before rewriting the UAnCTL2 register.

After reset FFH R/W Address: UA0CTL2 FFFFFFFA02H, UA1CTL2 FFFFFFFA12H,
UA2CTL2 FFFFFFFA22H, UA3CTL2 FFFFFFFA32H



UAn BRS7	UAn BRS6	UAn BRS5	UAn BRS4	UAn BRS3	UAn BRS2	UAn BRS1	UAn BRS0	Default (k)	Serial clock
0	0	0	0	0	0	×	×	×	Setting prohibited
0	0	0	0	0	1	0	0	4	f _{UCLK} /4
0	0	0	0	0	1	0	1	5	f _{UCLK} /5
0	0	0	0	0	1	1	0	6	f _{UCLK} /6
:	:	:	:	:	:	:	:	:	:
1	1	1	1	1	1	0	0	252	f _{UCLK} /252
1	1	1	1	1	1	0	1	253	f _{UCLK} /253
1	1	1	1	1	1	1	0	254	f _{UCLK} /254
1	1	1	1	1	1	1	1	255	f _{UCLK} /255

- Remarks**
1. f_{UCLK}: Clock frequency selected by the UAnCTL1.UAnCKS3 to UAnCTL1.UAnCKS0 bits
 2. n = 0 to 3: μ PD70F3711, 70F3712
n = 0 to 2: μ PD70F3709, 70F3710

(4) Baud rate

The baud rate is obtained by the following equation.

$$\text{Baud rate} = \frac{f_{\text{UCLK}}}{2 \times k} \text{ [bps]}$$

When using the internal clock, the equation will be as follows (when using the ASCKA0 pin as clock at UARTA0, calculate using the above equation).

$$\text{Baud rate} = \frac{f_{\text{xx}}}{2^{m+1} \times k} \text{ [bps]}$$

Remark f_{UCLK} = Frequency of base clock selected by the UAnCTL1.UAnCKS3 to UAnCTL1.UAnCKS0 bits
 f_{xx} : Main clock frequency
 m = Value set using the UAnCTL1.UAnCKS3 to UAnCTL1.UAnCKS0 bits ($m = 0$ to 10)
 k = Value set using the UAnCTL2.UAnBRS7 to UAnCTL2.UAnBRS0 bits ($k = 4$ to 255)

The baud rate error is obtained by the following equation.

$$\begin{aligned} \text{Error (\%)} &= \left(\frac{\text{Actual baud rate (baud rate with error)}}{\text{Target baud rate (correct baud rate)}} - 1 \right) \times 100 \text{ [\%]} \\ &= \left(\frac{f_{\text{UCLK}}}{2 \times k \times \text{Target baud rate}} - 1 \right) \times 100 \text{ [\%]} \end{aligned}$$

When using the internal clock, the equation will be as follows (when using the ASCKA0 pin as clock at UARTA0, calculate the baud rate error using the above equation).

$$\text{Error (\%)} = \left(\frac{f_{\text{xx}}}{2^{m+1} \times k \times \text{Target baud rate}} - 1 \right) \times 100 \text{ [\%]}$$

- Cautions**
1. The baud rate error during transmission must be within the error tolerance on the receiving side.
 2. The baud rate error during reception must satisfy the range indicated in (5) Allowable baud rate range during reception.

To set the baud rate, perform the following calculation and set the UAnCTL1 and UAnCTL2 registers (when using internal clock).

- <1> Set $k = f_{xx}/(2 \times \text{Target baud rate})$. Set $m = 0$.
- <2> Set $k = k/2$ and $m = m + 1$ where $k \geq 256$.
- <3> Repeat <2> until $k < 256$.
- <4> Roundup the first decimal place of k .
If $k = 256$ by the roundup, perform <2> again (k will become 128).
- <5> Set m to the UAnCTL1 register and k to the UAnCTL2 register.

Example: When $f_{xx} = 20 \text{ MHz}$ and target baud rate = 153,600 bps

<1> $k = 20,000,000/(2 \times 153,600) = 65.10\dots$, $m = 0$

<2>, <3> $k = 65.10\dots < 256$, $m = 0$

<4> Set value of UAnCTL2 register: $k = 65 = 41\text{H}$, set value of UAnCTL1 register: $m = 0$

Actual baud rate = $20,000,000/(2 \times 65)$
= 153,846 [bps]

Baud rate error = $\{20,000,000/(2 \times 65 \times 153,600) - 1\} \times 100$
= 0.160 [%]

The representative examples of baud rate settings are shown below.

Table 13-4. Baud Rate Generator Setting Data

Baud Rate (bps)	$f_{xx} = 20 \text{ MHz}$			$f_{xx} = 16 \text{ MHz}$			$f_{xx} = 10 \text{ MHz}$		
	UAnCTL1	UAnCTL2	ERR (%)	UAnCTL1	UAnCTL2	ERR (%)	UAnCTL1	UAnCTL2	ERR (%)
300	08H	82H	0.16	0AH	1AH	0.16	07H	82H	0.16
600	07H	82H	0.16	0AH	0DH	0.16	06H	82H	0.16
1,200	06H	82H	0.16	09H	0DH	0.16	05H	82H	0.16
2,400	05H	82H	0.16	08H	0DH	0.16	04H	82H	0.16
4,800	04H	82H	0.16	07H	0DH	0.16	03H	82H	0.16
9,600	03H	82H	0.16	06H	0DH	0.16	02H	82H	0.16
19,200	02H	82H	0.16	05H	0DH	0.16	01H	82H	0.16
31,250	01H	A0H	0.00	01H	80H	0.00	00H	A0H	0.00
38,400	01H	82H	0.16	00H	D0H	0.16	00H	82H	0.16
76,800	00H	82H	0.16	03H	0DH	0.16	00H	41H	0.16
153,600	00H	41H	0.16	02H	0DH	0.16	00H	21H	-1.36
312,500	00H	20H	0.00	00H	1AH	-1.54	00H	10H	0.00

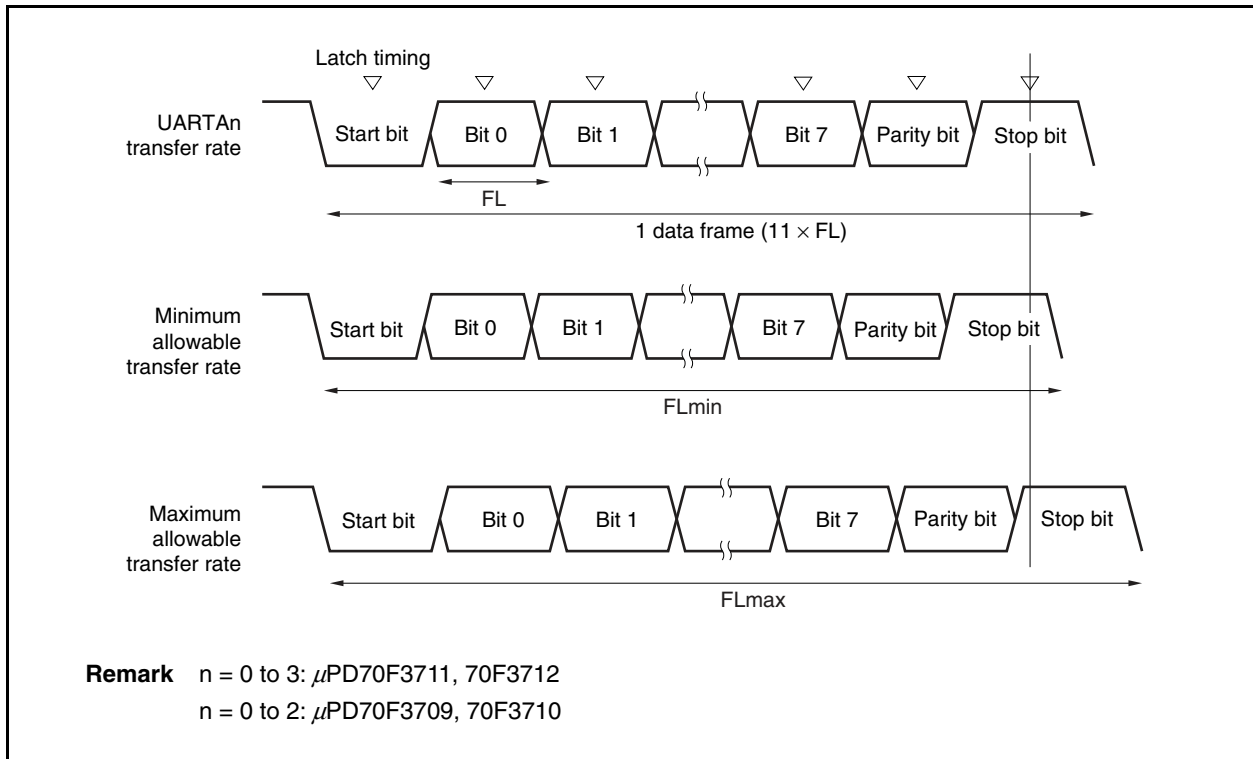
Remark f_{xx} : Main clock frequency
ERR: Baud rate error (%)

(5) Allowable baud rate range during reception

The baud rate error range at the destination that is allowable during reception is shown below.

Caution The baud rate error during reception must be set within the allowable error range using the following equation.

Figure 13-14. Allowable Baud Rate Range During Reception



As shown in Figure 13-14, the receive data latch timing is determined by the counter set using the UAnCTL2 register following start bit detection. The transmit data can be normally received if up to the last data (stop bit) can be received in time for this latch timing.

When this is applied to 11-bit reception, the following is the theoretical result.

$$FL = (\text{Brate})^{-1}$$

Brate: UARTAn baud rate (n = 0 to 3)

k: Setting value of UAnCTL2.UAnBRS7 to UAnCTL2.UAnBRS0 bits (n = 0 to 3)

FL: 1-bit data length

Latch timing margin: 2 clocks

$$\text{Minimum allowable transfer rate: } FL_{min} = 11 \times FL - \frac{k-2}{2k} \times FL = \frac{21k+2}{2k} FL$$

Therefore, the maximum baud rate that can be received by the destination is as follows.

$$BR_{max} = (FL_{min}/11)^{-1} = \frac{22k}{21k + 2} \text{ Brate}$$

Similarly, obtaining the following maximum allowable transfer rate yields the following.

$$\frac{10}{11} \times FL_{max} = 11 \times FL - \frac{k + 2}{2 \times k} \times FL = \frac{21k - 2}{2 \times k} FL$$

$$FL_{max} = \frac{21k - 2}{20 k} FL \times 11$$

Therefore, the minimum baud rate that can be received by the destination is as follows.

$$BR_{min} = (FL_{max}/11)^{-1} = \frac{20k}{21k - 2} \text{ Brate}$$

Obtaining the allowable baud rate error for UARTA and the destination from the above-described equations for obtaining the minimum and maximum baud rate values yields the following.

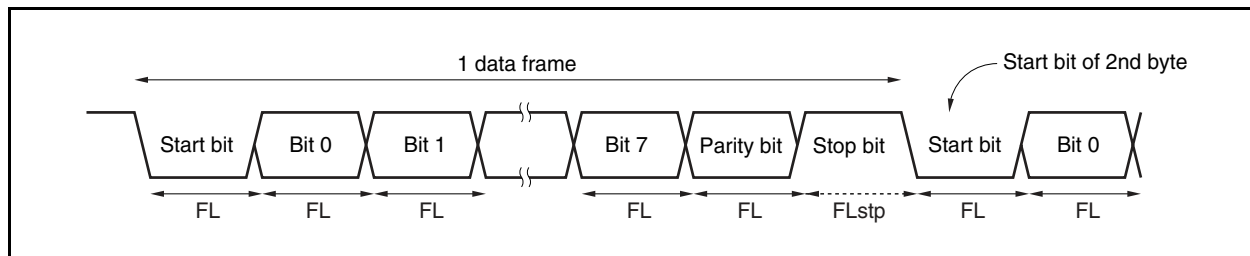
Table 13-5. Maximum/Minimum Allowable Baud Rate Error

Division Ratio (k)	Maximum Allowable Baud Rate Error	Minimum Allowable Baud Rate Error
4	+2.32%	-2.43%
8	+3.52%	-3.61%
20	+4.26%	-4.30%
50	+4.56%	-4.58%
100	+4.66%	-4.67%
255	+4.72%	-4.72%

- Remarks 1.** The reception accuracy depends on the bit count in 1 frame, the input clock frequency, and the division ratio (k). The higher the input clock frequency and the larger the division ratio (k), the higher the accuracy.
- 2.** k: Setting value of UAnCTL2.UAnBRS7 to UAnCTL2.UAnBRS0 bits (n = 0 to 3)

(6) Baud rate during continuous transmission

During continuous transmission, the transfer rate from the stop bit to the next start bit is usually 2 base clocks longer. However, timing initialization is performed via start bit detection by the receiving side, so this has no influence on the transfer result.

Figure 13-15. Transfer Rate During Continuous Transfer

Assuming 1 bit data length: FL; stop bit length: FLstp; and base clock frequency: f_{UCLK} , we obtain the following equation.

$$\text{FLstp} = \text{FL} + 2/f_{\text{UCLK}}$$

Therefore, the transfer rate during continuous transmission is as follows.

$$\text{Transfer rate} = 11 \times \text{FL} + (2/f_{\text{UCLK}})$$

13.7 Cautions

- (1) When the clock supply to UARTAn is stopped (for example, in IDLE1, IDLE2, or STOP mode), the operation stops with each register retaining the value it had immediately before the clock supply was stopped. The TXDAn pin output also holds and outputs the value it had immediately before the clock supply was stopped. However, the operation is not guaranteed after the clock supply is resumed. Therefore, after the clock supply is resumed, the circuits should be initialized by setting the UAnCTL0.UAnPWR, UAnCTL0.UAnRXEn, and UAnCTL0.UAnTXEn bits to 000.
- (2) The RXDA1 and KR7 pins must not be used at the same time. To use the RXDA1 pin, do not use the KR7 pin. To use the KR7 pin, do not use the RXDA1 pin (it is recommended to set the PFC91 bit to 1 and clear PFCE91 bit to 0).
- (3) In UARTAn, the interrupt caused by a communication error does not occur. When performing the transfer of transmit data and receive data using DMA transfer, error processing cannot be performed even if errors (parity, overrun, framing) occur during transfer. Either read the UAnSTR register after DMA transfer has been completed to make sure that there are no errors, or read the UAnSTR register during communication to check for errors.
- (4) Start up the UARTAn in the following sequence.
 - <1> Set the UAnCTL0.UAnPWR bit to 1.
 - <2> Set the ports.
 - <3> Set the UAnCTL0.UAnTXE bit to 1, UAnCTL0.UAnRXE bit to 1.
- (5) Stop the UARTAn in the following sequence.
 - <1> Set the UAnCTL0.UAnTXE bit to 0, UAnCTL0.UAnRXE bit to 0.
 - <2> Set the ports and set the UAnCTL0.UAnPWR bit to 0 (it is not a problem if port setting is not changed).
- (6) In transmit mode (UAnCTL0.UAnPWR bit = 1 and UAnCTL0.UAnTXE bit = 1), do not overwrite the same value to the UAnTX register by software because transmission starts by writing to this register. To transmit the same value continuously, overwrite the same value.
- (7) In continuous transmission, the communication rate from the stop bit to the next start bit is extended 2 base clocks more than usual. However, the reception side initializes the timing by detecting the start bit, so the reception result is not affected.
- (8) If the break command is executed in the on-chip debug (OCD) mode and if UART receives data, an overrun error occurs.

CHAPTER 14 3-WIRE VARIABLE-LENGTH SERIAL I/O (CSIB)

The V850ES/HJ2 has three channels of 3-wire serial interface (CSIB).

14.1 Features

- Transfer rate: Max. 8 Mbps ($f_{xx} = 20$ MHz, using internal clock)
- Master mode and slave mode selectable
- 8-bit to 16-bit transfer, 3-wire serial interface
- Interrupt request signals (INTCBnT, INTCBnR) $\times 3$
- Serial clock and data phase switchable
- Transfer data length selectable in 1-bit units between 8 and 16 bits
- Transfer data MSB-first/LSB-first switchable
- 3-wire transfer SOBn: Serial data output
 SIBn: Serial data input
 $\overline{\text{SCKBn}}$: Serial clock I/O

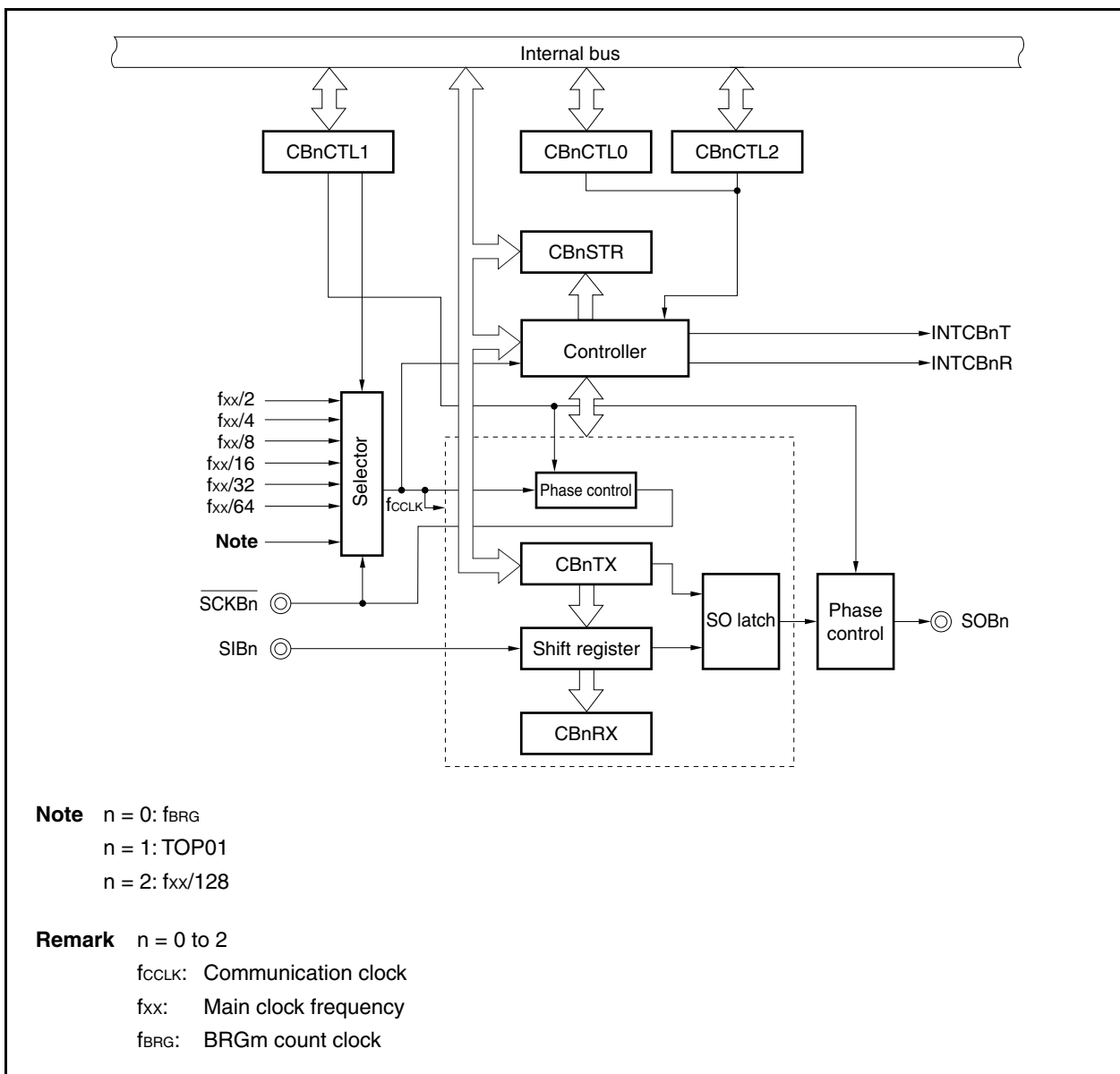
Transmission mode, reception mode, and transmission/reception mode specifiable

Remark n = 0 to 2

14.2 Configuration

The following shows the block diagram of CSIBn.

Figure 14-1. Block Diagram of CSIBn



CSIBn includes the following hardware.

Table 14-1. Configuration of CSIBn

Item	Configuration
Registers	CSIBn receive data register (CBnRX) CSIBn transmit data register (CBnTX)
Control registers	CSIBn control register 0 (CBnCTL0) CSIBn control register 1 (CBnCTL1) CSIBn control register 2 (CBnCTL2) CSIBn status register (CBnSTR)

(1) CSIBn receive data register (CBnRX)

The CBnRX register is a 16-bit buffer register that holds receive data.

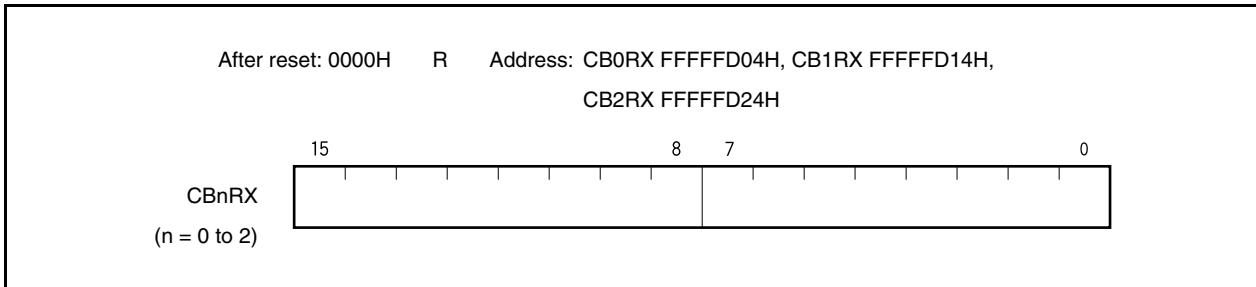
This register is read-only, in 16-bit units.

The receive operation is started by reading the CBnRX register in the reception enabled status.

If the transfer data length is 8 bits, the lower 8 bits of this register are read-only in 8-bit units as the CBnRXL register.

Reset sets this register to 0000H.

In addition to reset input, the CBnRX register can be initialized by clearing (to 0) the CBnPWR bit of the CBnCTL0 register.



(2) CSIB transmit data register (CBnTX)

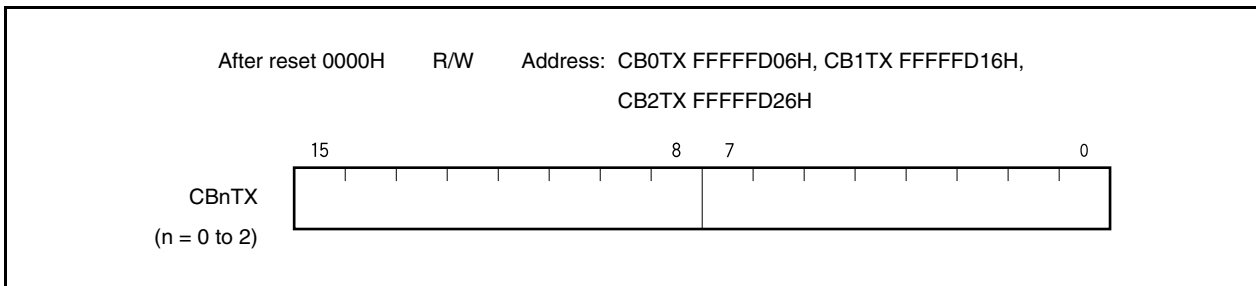
The CBnTX register is a 16-bit buffer register used to write the CSIBn transfer data.

This register can be read or written in 16-bit units.

The transmit operation is started by writing data to the CBnTX register in the transmission enabled status.

If the transfer data length is 8 bits, the lower 8 bits of this register are read-only in 8-bit units as the CBnTXL register.

Reset sets this register to 0000H.



Remark The communication start conditions are shown below.

- Transmission mode (CBnTXE bit = 1, CBnRXE bit = 0): Write to CBnTX register
- Transmission/reception mode (CBnTXE bit = 1, CBnRXE bit = 1): Write to CBnTX register
- Reception mode (CBnTXE bit = 0, CBnRXE bit = 1): Read from CBnRX register

14.3 Registers

The following registers are used to control CSIBn.

- CSIBn control register 0 (CBnCTL0)
- CSIBn control register 1 (CBnCTL1)
- CSIBn control register 2 (CBnCTL2)
- CSIBn status register (CBnSTR)

(1) CSIBn control register 0 (CBnCTL0)

CBnCTL0 is a register that controls the CSIBn serial transfer operation.

This register can be read or written in 8-bit or 1-bit units.

Reset sets this register to 01H.

(1/3)

After reset: 01H	R/W	Address: CB0CTL0 FFFFFFFD00H, CB1CTL0 FFFFFFFD10H, CB2CTL0 FFFFFFFD20H						
CBnCTL0 (n = 0 to 2)	7	6	5	4	3	2	1	0
	CBnPWR	CBnTXE ^{Note}	CBnRXE ^{Note}	CBnDIR ^{Note}	0	0	CBnTMS ^{Note}	CBnSCE
	CBnPWR	Specification of CSIBn operation disable/enable						
	0	Disable CSIBn operation and reset the CBnSTR register						
	1	Enable CSIBn operation						
	• The CBnPWR bit controls the CSIBn operation and resets the internal circuit.							
	CBnTXE ^{Note}	Specification of transmit operation disable/enable						
	0	Disable transmit operation						
	1	Enable transmit operation						
	• The SOBn output is low level when the CBnTXE bit is 0.							
	CBnRXE ^{Note}	Specification of receive operation disable/enable						
	0	Disable receive operation						
	1	Enable receive operation						
	• When the CBnRXE bit is cleared to 0, no reception complete interrupt is output even when the prescribed data is transferred in order to disable the receive operation, and the receive data (CBnRX register) is not updated.							

Note These bits can only be rewritten when the CBnPWR bit, CBnTXE bit = 0. However, CBnPWR bit = 1 can also be set at the same time as rewriting these bits.

Caution To forcibly suspend transmission/reception, clear the CBnPWR bit instead of the CBnRXE bit and CBnTXE bit to 0. At this time, the clock output is stopped.

<R>

CBnDIR ^{Note}	Specification of transfer direction mode (MSB/LSB)
0	MSB-first transfer
1	LSB-first transfer

CBnTMS ^{Note}	Transfer mode specification
0	Single transfer mode
1	Continuous transfer mode

[In single transfer mode]

The reception complete interrupt request signal (INTCBnR) is generated.

Even if transmission is enabled (CBnTXE bit = 1), the transmission enable interrupt request signal (INTCBnT) is not generated.

If the next transmit data is written during communication (CBnSTR.CBnTSF bit = 1), it is ignored and the next communication is not started. Also, if reception-only communication is set (CBnTXE bit = 0, CBnRXE bit = 1), the next communication is not started even if the receive data is read during communication (CBnSTR.CBbTSF bit = 1).

[In continuous transfer mode]

The continuous transmission is enabled by writing the next transmit data during communication (CBnSTR.CBnTSF bit = 1). Writing the next transmission data is enabled after a transmission enable interrupt (INTCBnT) occurrence.

If reception-only communication is set (CBnTXE bit = 0, CBnRXE bit = 1) in the continuous transfer mode, the next reception is started continuously after a reception complete interrupt (INTCBnR) regardless of the read operation of the CBnRX register.

Therefore, read immediately the receive data from the CBnRX register. If this read operation is delayed, an overrun error (CBnOVE bit = 1) occurs.

Note These bits can only be rewritten when the CBnPWR bit = 0. However, CBnPWR bit = 1 can also be set at the same time as rewriting these bits.

CBnSCE	Specification of start transfer disable/enable
0	Communication start trigger invalid
1	Communication start trigger valid

- In master mode
This bit enables or disables the communication start trigger.
 - (a) In single transmission or transmission/reception mode, or continuous transmission or continuous transmission/reception mode
The setting of the CBnSCE bit has no influence on communication operation.
 - (b) In single reception mode
Clear the CBnSCE bit to 0 before reading the last receive data because reception is started by reading the receive data (CBnRX register) to disable the reception startup^{Note 1}.
 - (c) In continuous reception mode
Clear the CBnSCE bit to 0 one communication clock before reception of the last data is completed to disable the reception startup after the last data is received^{Note 2}.
- In slave mode
This bit enables or disables the communication start trigger.
Set the CBnSCE bit to 1.

[Usage of CBnSCE bit]

- In single reception mode
 - <1> When reception of the last data is completed by INTCBnR interrupt servicing, clear the CBnSCE bit to 0 before reading the CBnRX register.
 - <2> After confirming the CBnSTR.CBnTSF bit = 0, clear the CBnRXE bit to 0 to disable reception.
To continue reception, set the CBnSCE bit to 1 to start up the next reception by dummy-reading the CBnRX register.
- In continuous reception mode
 - <1> Clear the CBnSCE bit to 0 during the reception of the last data by INTCBnR interrupt servicing.
 - <2> Read the CBnRX register.
 - <3> Read the last reception data by reading the CBnRX register after acknowledging the CBnTIR interrupt.
 - <4> After confirming the CBnSTR.CBnTSF bit = 0, clear the CBnRXE bit to 0 to disable reception.
To continue reception, set the CBnSCE bit to 1 to wait for the next reception by dummy-reading the CBnRX register.

Notes 1. If the CBnSCE bit is read while it is 1, the next communication operation is started.

2. The CBnSCE bit is not cleared to 0 one communication clock before the completion of the last data reception, the next communication operation is automatically started.

Caution Be sure to clear bits 3 and 2 to “0”.

(2) CSIBn control register 1 (CBnCTL1)

CBnCTL1 is an 8-bit register that controls the CSIBn serial transfer operation.

This register can be read or written in 8-bit or 1-bit units.

Reset sets this register to 00H.

<R> **Caution** The CBnCTL1 register can be rewritten only when the CBnCTL0.CBnPWR bit = 0, or CBnCTL0.CBnTXE and CBnRXE bits = 0.

After reset 00H R/W Address: CB0CTL1 FFFFD01H, CB1CTL1 FFFFD11H,
CB2CTL1 FFFFD21H

	7	6	5	4	3	2	1	0
CBnCTL1 (n = 0 to 2)	0	0	0	CBnCKP	CBnDAP	CBnCKS2	CBnCKS1	CBnCKS0

	CBnCKP	CBnDAP	Specification of data transmission/ reception timing in relation to SCKBn
Communication type 1	0	0	
Communication type 2	0	1	
Communication type 3	1	0	
Communication type 4	1	1	

CBnCKS2	CBnCKS1	CBnCKS0	Communication clock (f _{CCLK}) ^{Note 1}			Mode
			n = 0	n = 1	n = 2	
0	0	0	f _{xx} /2			Master mode
0	0	1	f _{xx} /4			Master mode
0	1	0	f _{xx} /8			Master mode
0	1	1	f _{xx} /16			Master mode
1	0	0	f _{xx} /32			Master mode
1	0	1	f _{xx} /64			Master mode
1	1	0	f _{BRG} ^{Note 2}	TMP0 (TOP01)	f _{xx} /128	Master mode
1	1	1	External clock (SCKBn)			Slave mode

Notes 1. Set so that communication clock (f_{CCLK}) is 8 MHz or less.

2. For details, see 14.7 Baud Rate Generator.

(3) CSIBn control register 2 (CBnCTL2)

CBnCTL2 is an 8-bit register that controls the number of CSIBn serial transfer bits.

This register can be read or written in 8-bit units.

Reset sets this register to 00H.

Caution The CBnCTL2 register can be rewritten only when the CBnCTL0.CBnPWR bit = 0 or when both the CBnTXE and CBnRXE bits = 0.

After reset: 00H R/W Address: CB0CTL2 FFFFFFFD02H, CB1CTL2 FFFFFFFD12H,
CB2CTL2 FFFFFFFD22H

	7	6	5	4	3	2	1	0
CBnCTL2	0	0	0	0	CBnCL3	CBnCL2	CBnCL1	CBnCL0

(n = 0 to 2)

CBnCL3	CBnCL2	CBnCL1	CBnCL0	Serial register bit length
0	0	0	0	8 bits
0	0	0	1	9 bits
0	0	1	0	10 bits
0	0	1	1	11 bits
0	1	0	0	12 bits
0	1	0	1	13 bits
0	1	1	0	14 bits
0	1	1	1	15 bits
1	×	×	×	16 bits

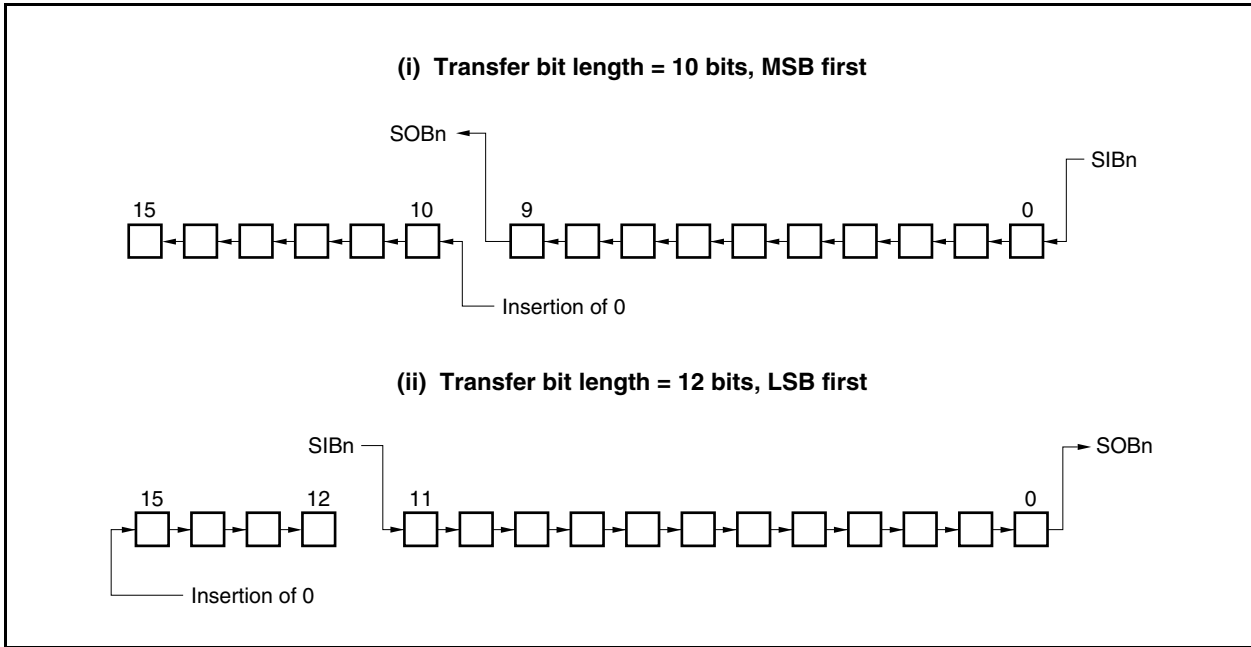
Remarks 1. If the number of transfer bits is other than 8 or 16, prepare and use data stuffed from the LSB of the CBnTX and CBnRX registers.

2. ×: don't care

(a) Transfer data length change function

The CSIBn transfer data length can be set in 1-bit units between 8 and 16 bits using the CBnCTL2.CBnCL3 to CBnCTL2.CBnCL0 bits.

When the transfer bit length is set to a value other than 16 bits, set the data to the CBnTX or CBnRX register starting from the LSB, regardless of whether the transfer start bit is the MSB or LSB. Any data can be set for the higher bits that are not used, but the receive data becomes 0 following serial transfer.



(4) CSIBn status register (CBnSTR)

CBnSTR is an 8-bit register that displays the CSIBn status.

This register can be read or written in 8-bit or 1-bit units, but the CBnTSF flag is read-only.

Reset sets this register to 00H.

In addition to reset input, the CBnSTR register can be initialized by clearing (0) the CBnCTL0.CBnPWR bit.

After reset 00H	R/W	Address: CB0STR FFFFD03H, CB1STR FFFFD13H, CB2STR FFFFD23H						
CBnSTR (n = 0 to 2)	7	6	5	4	3	2	1	0
	CBnTSF	0	0	0	0	0	0	CBnOVE
	CBnTSF	Communication status flag						
	0	Communication stopped						
	1	Communicating						
		<ul style="list-style-type: none"> • During transmission, this register is set when data is prepared in the CBnTX register, and during reception, it is set when a dummy read of the CBnRX register is performed. When transfer ends, this flag is cleared to 0 at the last edge of the clock. 						
	CBnOVE	Overrun error flag						
	0	No overrun						
	1	Overrun						
		<ul style="list-style-type: none"> • An overrun error occurs when the next reception ends without reading the value of the receive buffer by CPU, upon completion of the receive operation. The CBnOVE flag displays the overrun error occurrence status in this case. • The CBnOVE bit is valid also in the single transfer mode. Therefore, when only using transmission, note the following. <ul style="list-style-type: none"> • Do not check the CBnOVE flag. • Read this bit even if reading the reception data is not required. • The CBnOVE flag is cleared by writing 0 to it. It cannot be set even by writing 1 to it. 						

14.4 Interrupt Request Signals

CSIBn can generate the following two types of interrupt request signals.

- Reception complete interrupt request signal (INTCBnR)
- Transmission enable interrupt request signal (INTCBnT)

Of these two interrupt request signals, the reception complete interrupt request signal has the higher priority by default, and the priority of the transmission enable interrupt request signal is lower.

Table 14-2. Interrupts and Their Default Priority

Interrupt	Priority
Reception complete	High
Transmission enable	Low

(1) Reception complete interrupt request signal (INTCBnR)

When receive data is transferred to the CBnRX register while reception is enabled, the reception complete interrupt request signal is generated.

This interrupt request signal can also be generated if an overrun error occurs.

When the reception complete interrupt request signal is acknowledged and the data is read, read the CBnSTR register to check that the result of reception is not an error.

In the single transfer mode, the INTCBnR interrupt request signal is generated upon completion of transmission, even when only transmission is executed.

(2) Transmission enable interrupt request signal (INTCBnT)

In the continuous transmission or continuous transmission/reception mode, transmit data is transferred from the CBnTX register and, as soon as writing to CBnTX has been enabled, the transmission enable interrupt request signal is generated.

In the single transmission and single transmission/reception modes, the INTCBnT interrupt is not generated.

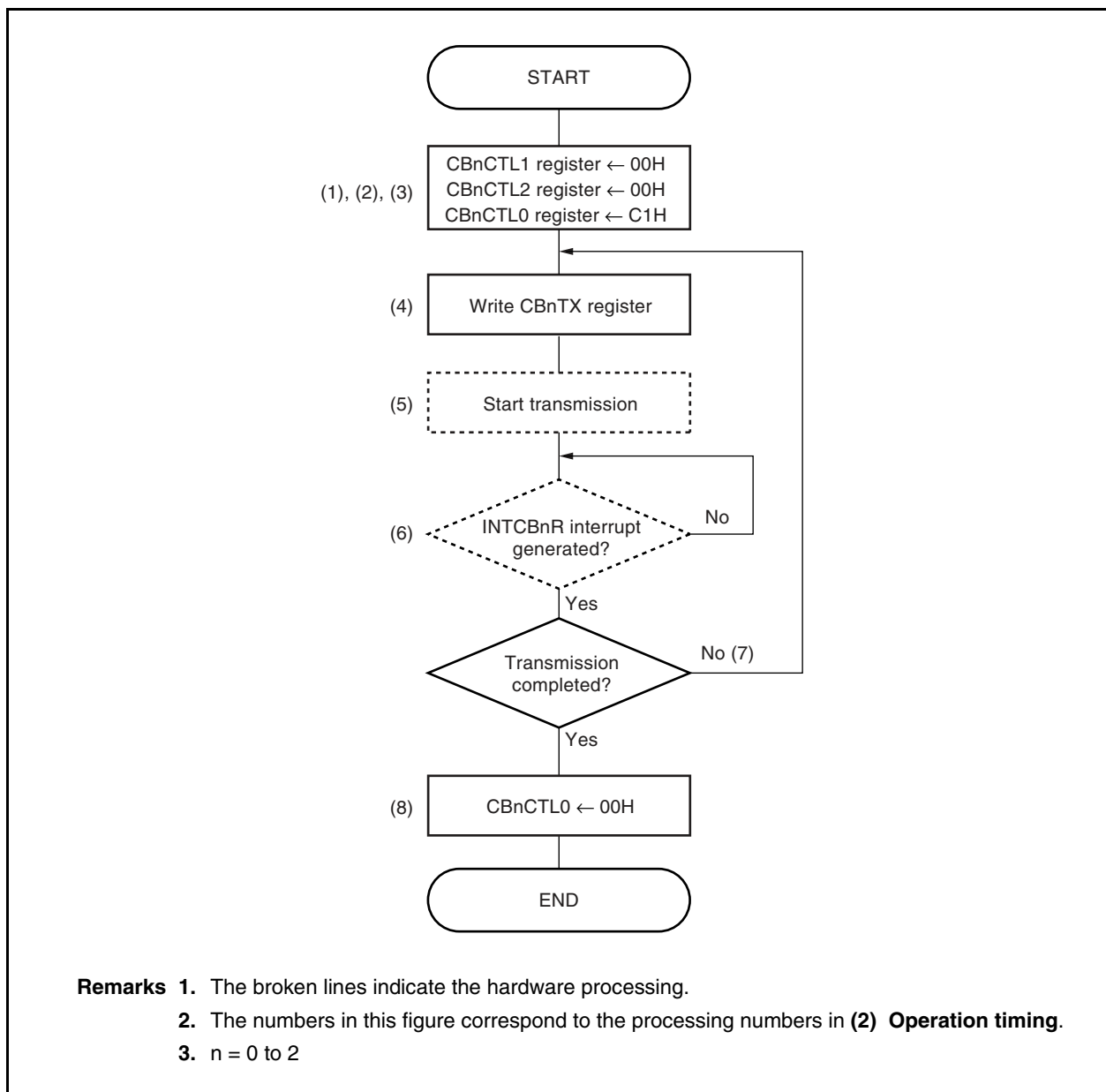
<R>

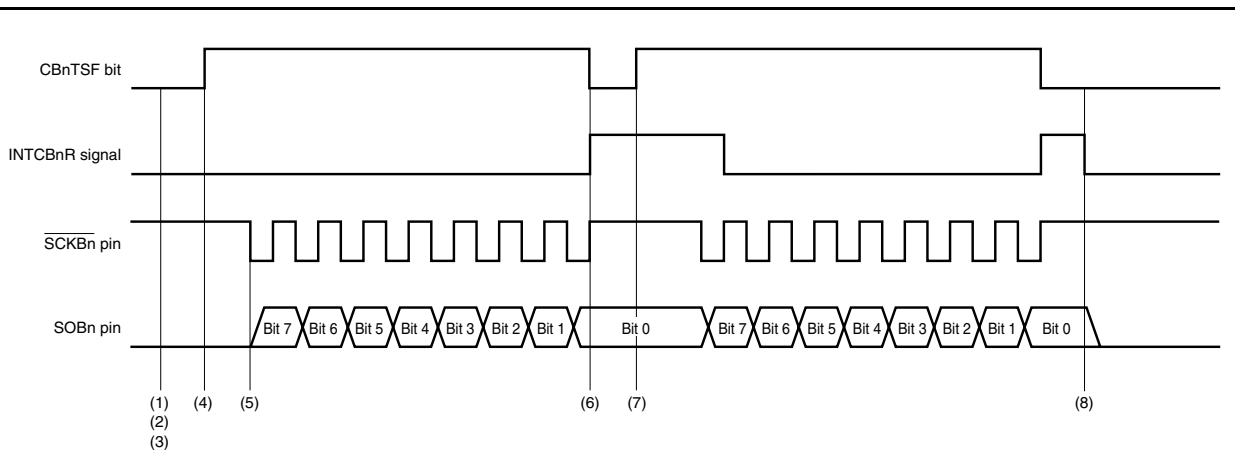
14.5 Operation

14.5.1 Single transfer mode (master mode, transmission mode)

MSB first (CBnCTL0.CBnDIR bit = 0), communication type 1 (CBnCTL1.CBnCKP and CBnCTL1.CBnDAP bits = 00), communication clock (f_{CLK}) = $f_{\text{xx}}/2$ (CBnCTL1.CBnCKS2 to CBnCTL1.CBnCKS0 bits = 000), transfer data length = 8 bits (CBnCTL2.CBnCL3 to CBnCTL2.CBnCL0 bits = 0000)

(1) Operation flow



(2) Operation timing

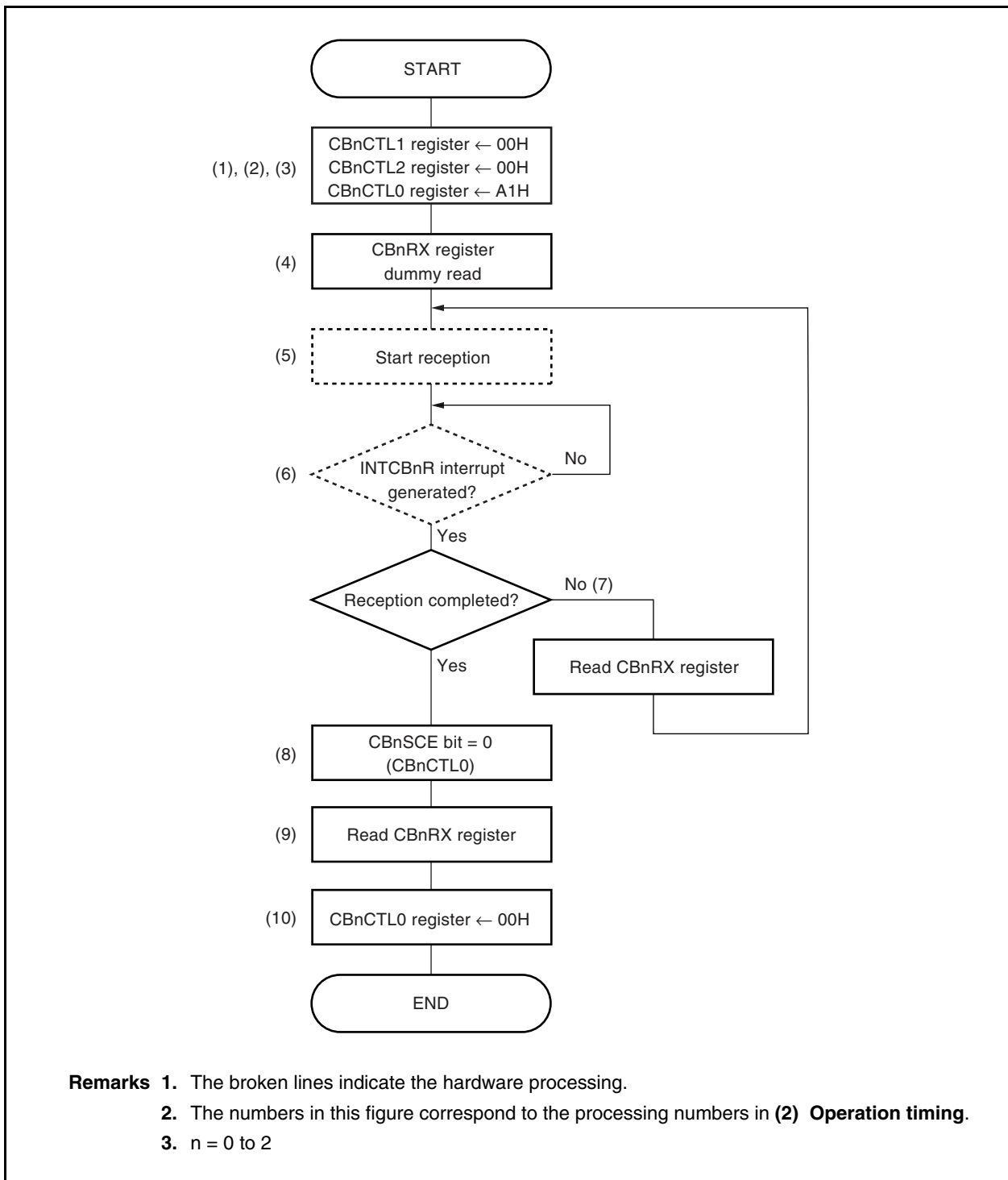
- (1) Write 00H to the CBNCTL1 register, and select communication type 1, communication clock (f_{CLK}) = $f_{\text{xx}}/2$, and master mode.
- (2) Write 00H to the CBNCTL2 register, and set the transfer data length to 8 bits.
- (3) Write C1H to the CBNCTL0 register, and select the transmission mode and MSB first at the same time as enabling the operation of the communication clock (f_{CLK}).
- (4) The CBNSTR.CBN_TSF bit is set to 1 by writing the transmit data to the CBN_TX register, and transmission is started.
- (5) When transmission is started, output the serial clock to the $\overline{\text{SCKBn}}$ pin, and output the transmit data from the SOBn pin in synchronization with the serial clock.
- (6) When transmission of the transfer data length set with the CBNCTL2 register is completed, stop the serial clock output and transmit data output, generate the reception completion interrupt request signal (INTCBnR) at the last edge of the serial clock, and clear the CBN_TSF bit to 0.
- (7) To continue transmission, start the next transmission by writing the transmit data to the CBN_TX register again after the INTCBN_R signal is generated.
- (8) To end transmission, write the CBNCTL0.CBN_PWR bit = 0 and the CBNCTL0.CBN_TXE bit = 0.

Remark n = 0 to 2

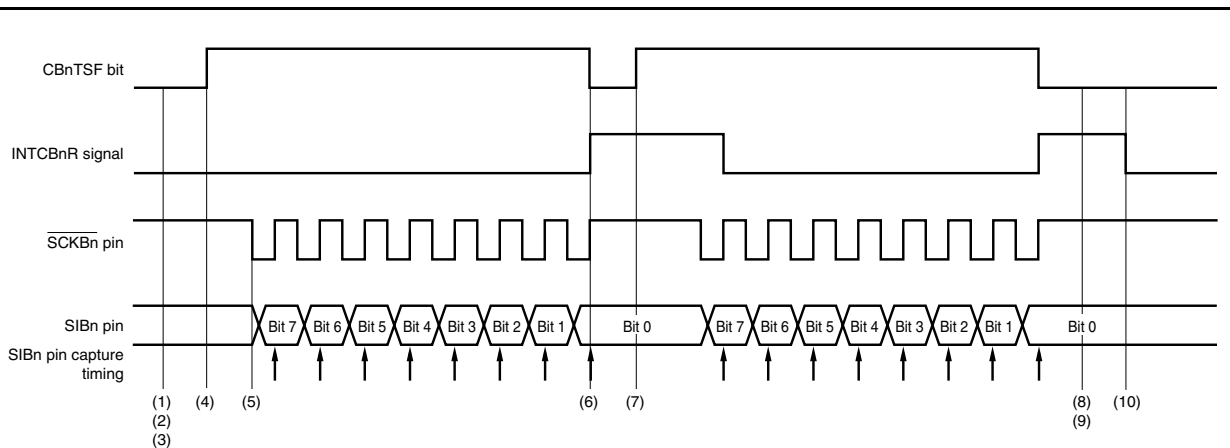
14.5.2 Single transfer mode (master mode, reception mode)

MSB first (CBnCTL0.CBnDIR bit = 0), communication type 1 (CBnCTL1.CBnCKP and CBnCTL1.CBnDAP bits = 00), communication clock (f_{CLK}) = $f_{XX}/2$ (CBnCTL1.CBnCKS2 to CBnCTL1.CBnCKS0 bits = 000), transfer data length = 8 bits (CBnCTL2.CBnCL3 to CBnCTL2.CBnCL0 bits = 0000)

(1) Operation flow



- Remarks**
1. The broken lines indicate the hardware processing.
 2. The numbers in this figure correspond to the processing numbers in (2) **Operation timing**.
 3. n = 0 to 2

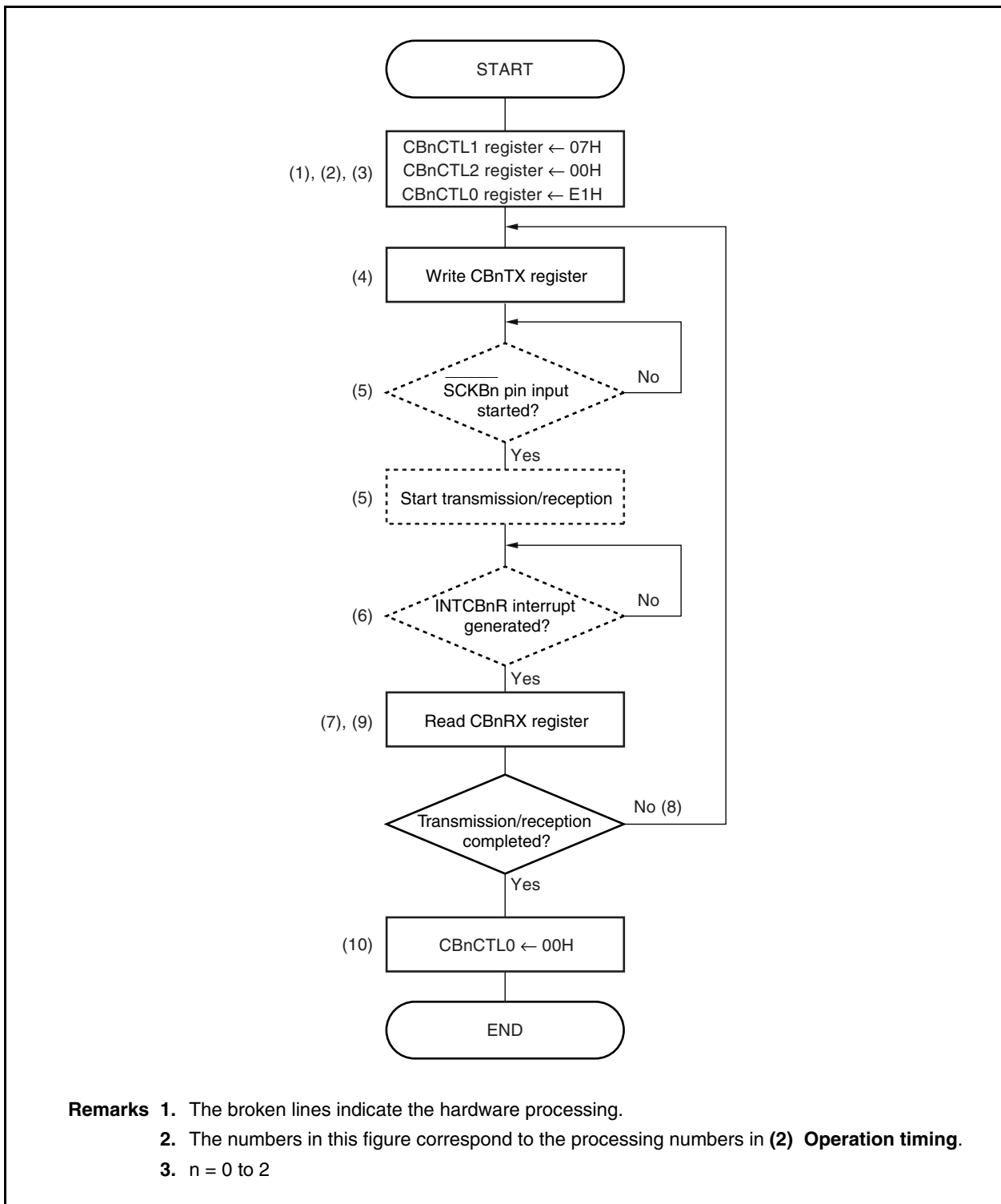
(2) Operation timing

- (1) Write 00H to the CBnCTL1 register, and select communication type 1, communication clock (f_{CLK}) = $f_{\text{xx}}/2$, and master mode.
- (2) Write 00H to the CBnCTL2 register, and set the transfer data length to 8 bits.
- (3) Write A1H to the CBnCTL0 register, and select the reception mode and MSB first at the same time as enabling the operation of the communication clock (f_{CLK}).
- (4) The CBnSTR.CBnTSF bit is set to 1 by performing a dummy read of the CBnRX register, and reception is started.
- (5) When reception is started, output the serial clock to the $\overline{\text{SCKBn}}$ pin, and capture the receive data of the SIBn pin in synchronization with the serial clock.
- (6) When reception of the transfer data length set with the CBnCTL2 register is completed, stop the serial clock output and data capturing, generate the reception completion interrupt request signal (INTCBnR) at the last edge of the serial clock, and clear the CBnTSF bit to 0.
- (7) To continue reception, read the CBnRX register with the CBnCTL0.CBnSCE bit = 1 remained after the INTCBnR signal is generated.
- (8) To read the CBnRX register without starting the next reception, write the CBnSCE bit = 0.
- (9) Read the CBnRX register.
- (10) To end reception, write the CBnCTL0.CBnPWR bit = 0 and the CBnCTL0.CBnRXE bit = 0.

Remark n = 0 to 2

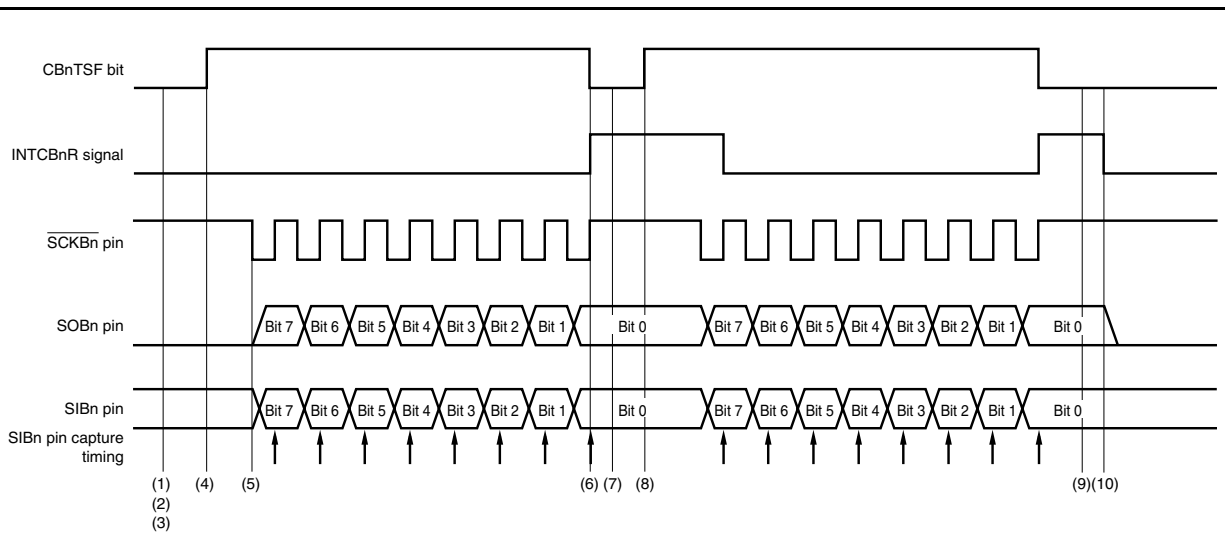
14.5.3 Single transfer mode (master mode, transmission/reception mode)

MSB first (CBnCTL0.CBnDIR bit = 0), communication type 1 (CBnCTL1.CBnCKP and CBnCTL1.CBnDAP bits = 00), communication clock (f_{CLK}) = $f_{XX}/2$ (CBnCTL1.CBnCKS2 to CBnCTL1.CBnCKS0 bits = 000), transfer data length = 8 bits (CBnCTL2.CBnCL3 to CBnCTL2.CBnCL0 bits = 0000)

(1) Operation flow

- Remarks**
1. The broken lines indicate the hardware processing.
 2. The numbers in this figure correspond to the processing numbers in **(2) Operation timing**.
 3. $n = 0$ to 2

(2) Operation timing



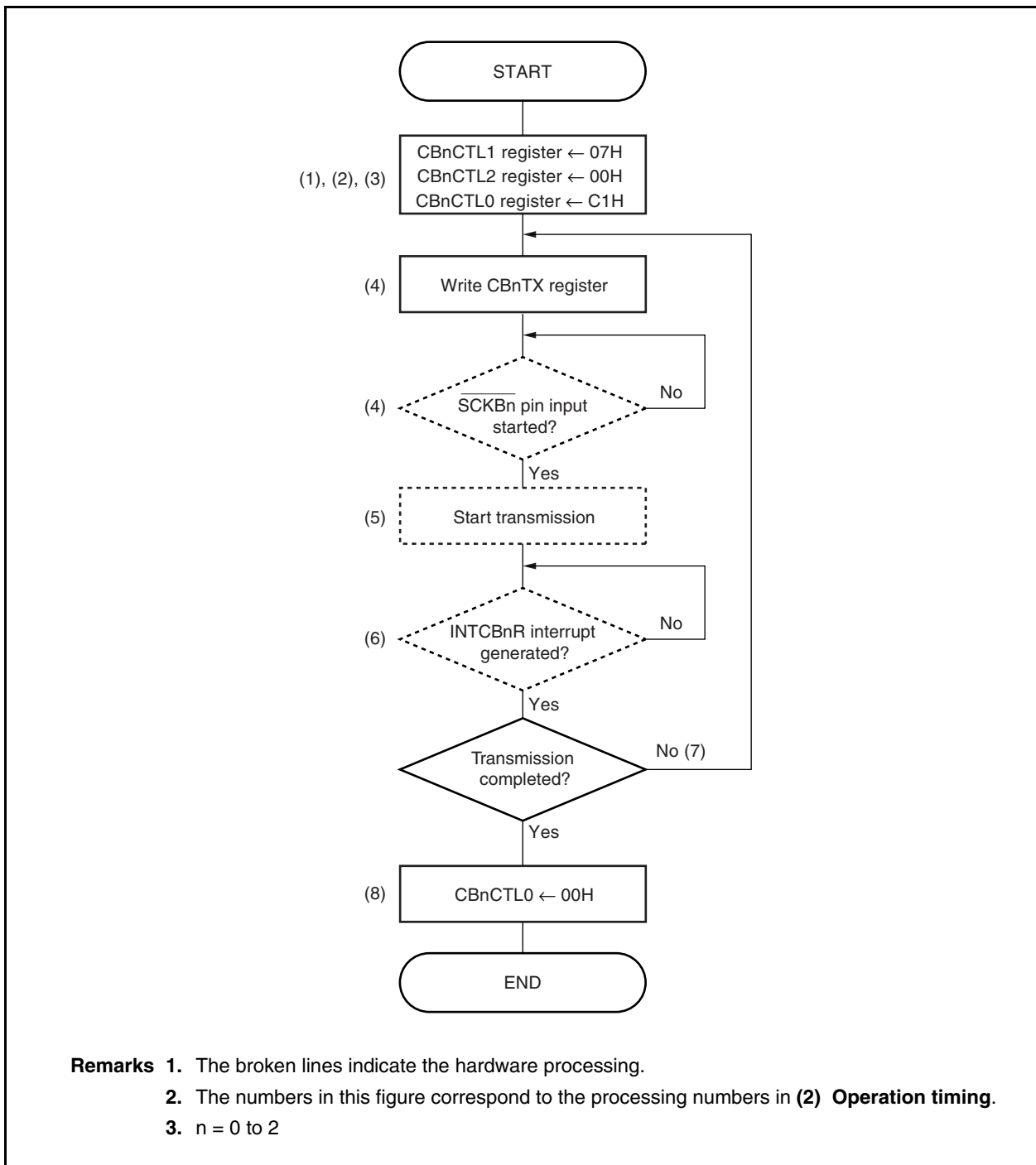
- (1) Write 00H to the CBNCTL1 register, and select communication type 1, communication clock (f_{CLK}) = $f_{\text{xx}}/2$, and master mode.
- (2) Write 00H to the CBNCTL2 register, and set the transfer data length to 8 bits.
- (3) Write E1H to the CBNCTL0 register, and select the transmission/reception mode and MSB first at the same time as enabling the operation of the communication clock (f_{CLK}).
- (4) The CBNSTR.CBN_TSF bit is set to 1 by writing the transmit data to the CBN_TX register, and transmission/reception is started.
- (5) When transmission/reception is started, output the serial clock to the SCK_Bn pin, output the transmit data to the SOBn pin in synchronization with the serial clock, and capture the receive data of the SIBn pin.
- (6) When transmission/reception of the transfer data length set with the CBNCTL2 register is completed, stop the serial clock output, transmit data output, and data capturing, generate the reception completion interrupt request signal (INT_CBN_R) at the last edge of the serial clock, and clear the CBN_TSF bit to 0.
- (7) Read the CBN_RX register.
- (8) To continue transmission/reception, write the transmit data to the CBN_TX register again.
- (9) Read the CBN_RX register.
- (10) To end transmission/reception, write the CBNCTL0.CBN_PWR bit = 0, the CBNCTL0.CBN_TXE bit = 0, and the CBNCTL0.CBN_RXE bit = 0.

Remark $n = 0$ to 2

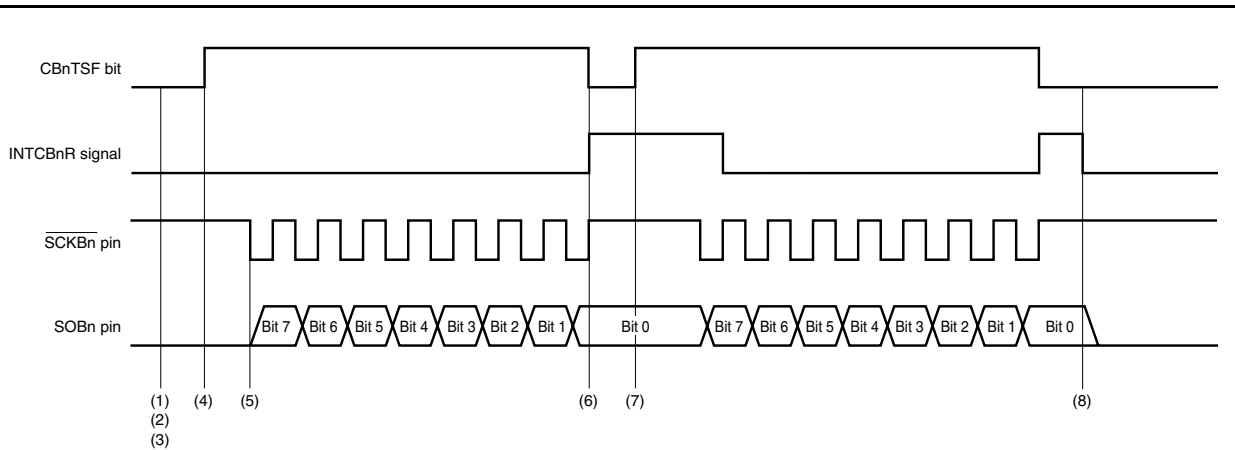
14.5.4 Single transfer mode (slave mode, transmission mode)

MSB first (CBnCTL0.CBnDIR bit = 0), communication type 1 (CBnCTL1.CBnCKP and CBnCTL1.CBnDAP bits = 00), communication clock (f_{CLK}) = external clock (\overline{SCKBn}) (CBnCTL1.CBnCKS2 to CBnCTL1.CBnCKS0 bits = 111), transfer data length = 8 bits (CBnCTL2.CBnCL3 to CBnCTL2.CBnCL0 bits = 0000)

(1) Operation flow



- Remarks**
1. The broken lines indicate the hardware processing.
 2. The numbers in this figure correspond to the processing numbers in (2) **Operation timing**.
 3. $n = 0$ to 2

(2) Operation timing

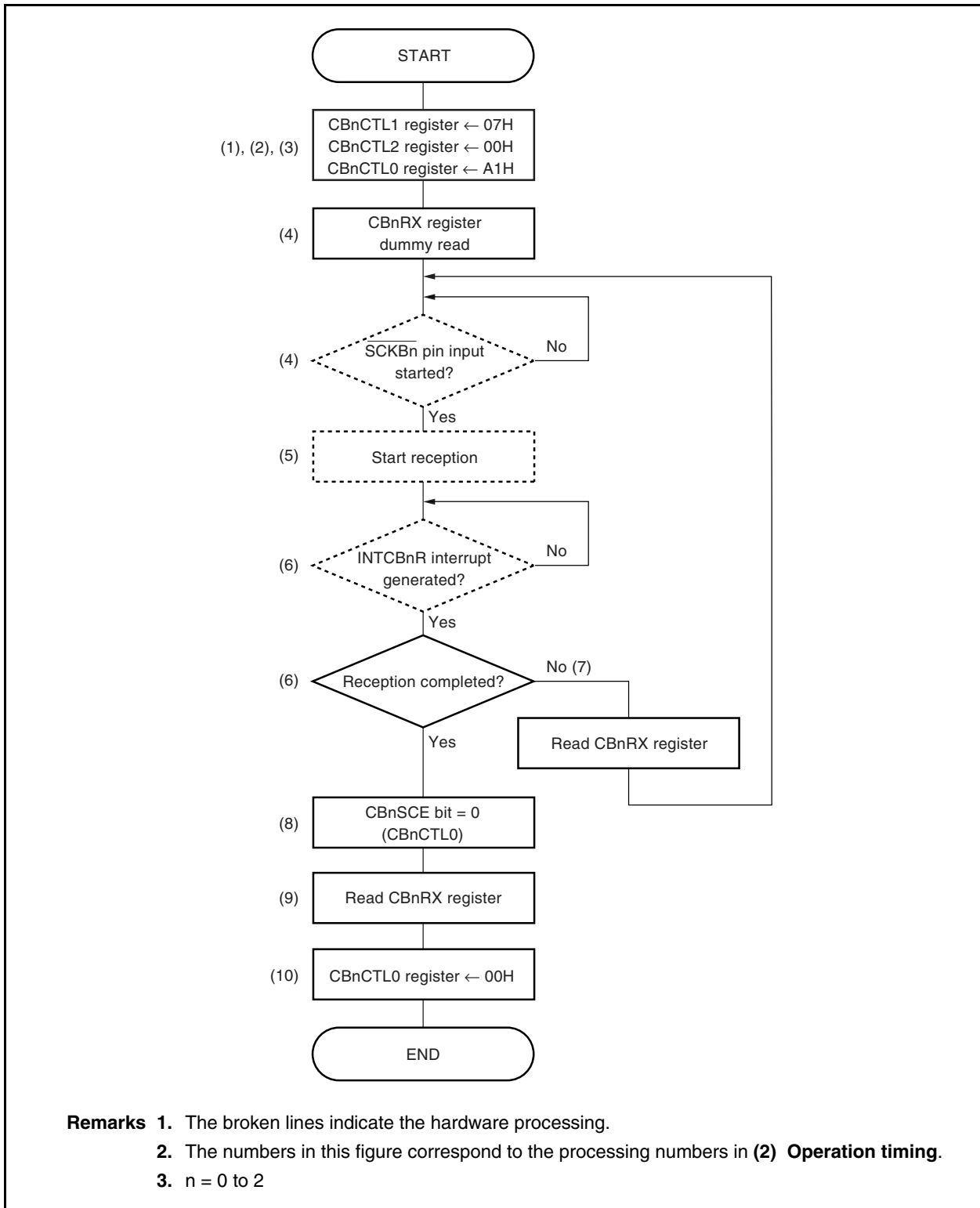
- (1) Write 07H to the CBnCTL1 register, and select communication type 1, communication clock (f_{CLK}) = external clock (SCKBn), and slave mode.
- (2) Write 00H to the CBnCTL2 register, and set the transfer data length to 8 bits.
- (3) Write C1H to the CBnCTL0 register, and select the transmission mode and MSB first at the same time as enabling the operation of the communication clock (f_{CLK}).
- (4) The CBnSTR.CBnTSF bit is set to 1 by writing the transmit data to the CBnTX register, and the device waits for a serial clock input.
- (5) When a serial clock is input, output the transmit data from the SOBn pin in synchronization with the serial clock.
- (6) When transmission of the transfer data length set with the CBnCTL2 register is completed, stop the serial clock output and transmit data output, generate the reception completion interrupt request signal (INTCBnR) at the last edge of the serial clock, and clear the CBnTSF bit to 0.
- (7) To continue transmission, write the transmit data to the CBnTX register again after the INTCBnR signal is generated, and wait for a serial clock input.
- (8) To end transmission, write the CBnCTL0.CBnPWR bit = 0 and the CBnCTL0.CBnTXE bit = 0.

Remark n = 0 to 2

14.5.5 Single transfer mode (slave mode, reception mode)

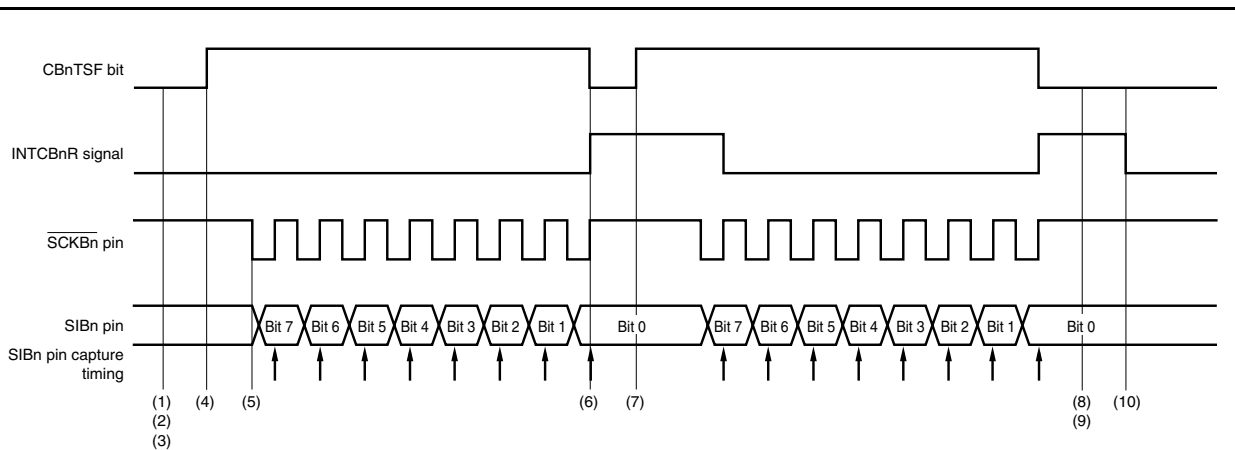
MSB first (CBnCTL0.CBnDIR bit = 0), communication type 1 (CBnCTL1.CBnCKP and CBnCTL1.CBnDAP bits = 00), communication clock (f_{CLK}) = external clock (SCKBn) (CBnCTL1.CBnCKS2 to CBnCTL1.CBnCKS0 bits = 111), transfer data length = 8 bits (CBnCTL2.CBnCL3 to CBnCTL2.CBnCL0 bits = 0000)

(1) Operation flow



- Remarks**
1. The broken lines indicate the hardware processing.
 2. The numbers in this figure correspond to the processing numbers in **(2) Operation timing**.
 3. n = 0 to 2

(2) Operation timing



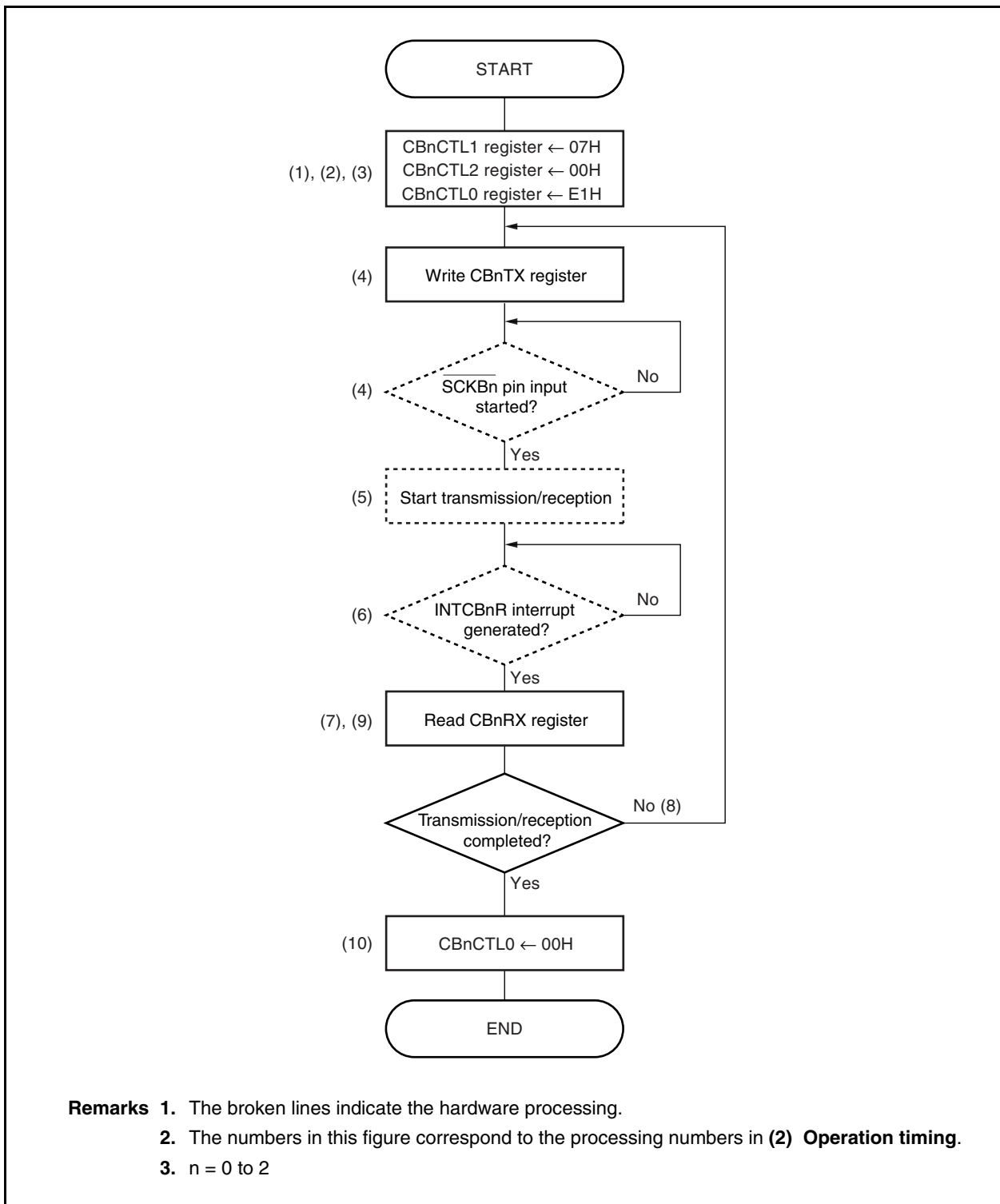
- (1) Write 07H to the `CBnCTL1` register, and select communication type 1, communication clock (f_{CLK}) = external clock (`SCKBn`), and slave mode.
- (2) Write 00H to the `CBnCTL2` register, and set the transfer data length to 8 bits.
- (3) Write A1H to the `CBnCTL0` register, and select the reception mode and MSB first at the same time as enabling the operation of the communication clock (f_{CLK}).
- (4) The `CBnSTR.CBnTSF` bit is set to 1 by performing a dummy read of the `CBnRX` register, and the device waits for a serial clock input.
- (5) When a serial clock is input, capture the receive data of the `SIBn` pin in synchronization with the serial clock.
- (6) When reception of the transfer data length set with the `CBnCTL2` register is completed, stop the serial clock output and data capturing, generate the reception completion interrupt request signal (`INTCBnR`) at the last edge of the serial clock, and clear the `CBnTSF` bit to 0.
- (7) To continue reception, read the `CBnRX` register with the `CBnCTL0.CBnSCE` bit = 1 remained after the `INTCBnR` signal is generated, and wait for a serial clock input.
- (8) To end reception, write the `CBnSCE` bit = 0.
- (9) Read the `CBnRX` register.
- (10) To end reception, write the `CBnCTL0.CBnPWR` bit = 0 and the `CBnCTL0.CBnRXE` bit = 0.

Remark $n = 0$ to 2

14.5.6 Single transfer mode (slave mode, transmission/reception mode)

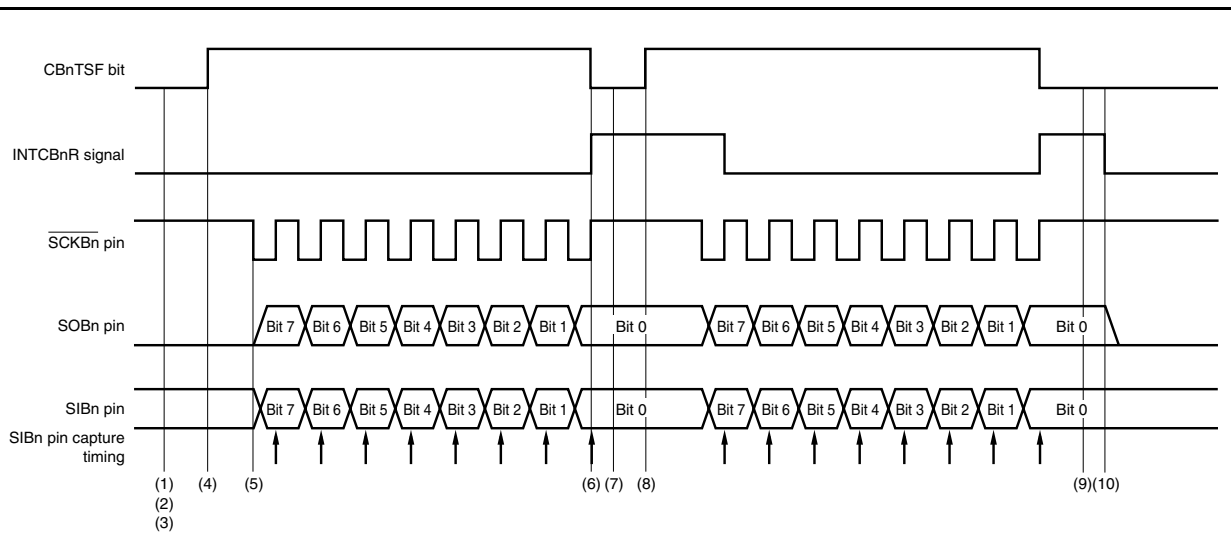
MSB first (CBnCTL0.CBnDIR bit = 0), communication type 1 (CBnCTL1.CBnCKP and CBnCTL1.CBnDAP bits = 00), communication clock (f_{CLK}) = external clock (\overline{SCKBn}) (CBnCTL1.CBnCKS2 to CBnCTL1.CBnCKS0 bits = 111), transfer data length = 8 bits (CBnCTL2.CBnCL3 to CBnCTL2.CBnCL0 bits = 0000)

(1) Operation flow



- Remarks**
1. The broken lines indicate the hardware processing.
 2. The numbers in this figure correspond to the processing numbers in (2) **Operation timing**.
 3. $n = 0$ to 2

(2) Operation timing

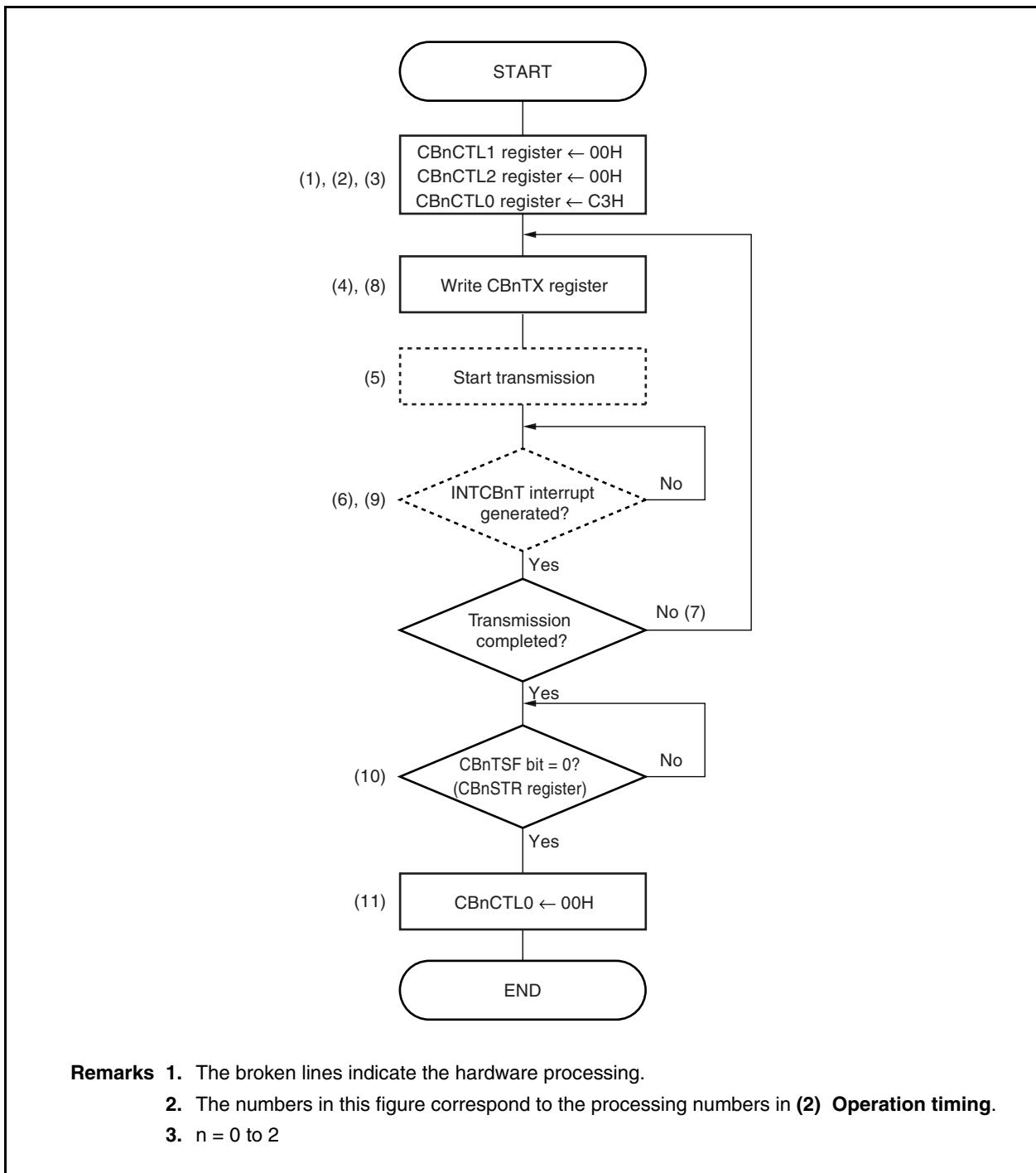


- (1) Write 07H to the CBnCTL1 register, and select communication type 1, communication clock (f_{CCLK}) = external clock (SCKBn), and slave mode.
- (2) Write 00H to the CBnCTL2 register, and set the transfer data length to 8 bits.
- (3) Write E1H to the CBnCTL0 register, and select the transmission/reception mode and MSB first at the same time as enabling the operation of the communication clock (f_{CCLK}).
- (4) The CBnSTR.CBnTSF bit is set to 1 by writing the transmit data to the CBnTX register, and the device waits for a serial clock input.
- (5) When a serial clock is input, output the transmit data to the SOBn pin in synchronization with the serial clock, and capture the receive data of the SIBn pin.
- (6) When transmission/reception of the transfer data length set with the CBnCTL2 register is completed, stop the serial clock output, transmit data output, and data capturing, generate the reception completion interrupt request signal (INTCBnR) at the last edge of the serial clock, and clear the CBnTSF bit to 0.
- (7) Read the CBnRX register.
- (8) To continue transmission/reception, write the transmit data to the CBnTX register again, and wait for a serial clock input.
- (9) Read the CBnRX register.
- (10) To end transmission/reception, write the CBnCTL0.CBnPWR bit = 0, the CBnCTL0.CBnTXE bit = 0, and the CBnCTL0.CBnRXE bit = 0.

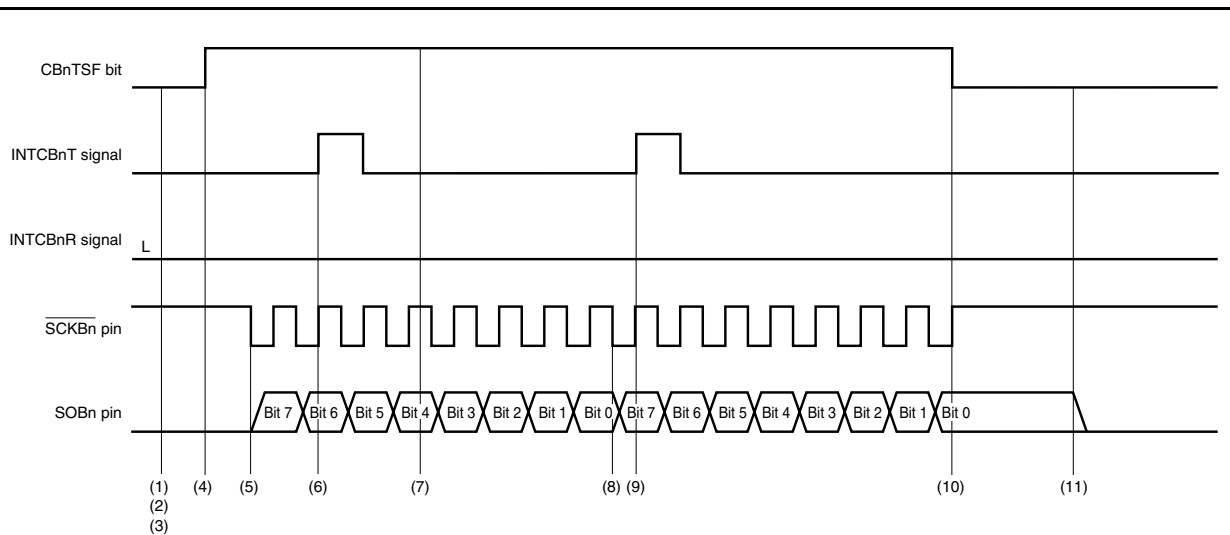
Remark n = 0 to 2

14.5.7 Continuous transfer mode (master mode, transmission mode)

MSB first (CBnCTL0.CBnDIR bit = 0), communication type 1 (CBnCTL1.CBnCKP and CBnCTL1.CBnDAP bits = 00), communication clock (f_{CLK}) = $f_{XX}/2$ (CBnCTL1.CBnCKS2 to CBnCTL1.CBnCKS0 bits = 000), transfer data length = 8 bits (CBnCTL2.CBnCL3 to CBnCTL2.CBnCL0 bits = 0000)

(1) Operation flow

(2) Operation timing



- (1) Write 00H to the CBnCTL1 register, and select communication type 1, communication clock ($f_{\text{CLK}} = f_{\text{xx}}/2$, and master mode.
- (2) Write 00H to the CBnCTL2 register, and set the transfer data length to 8 bits.
- (3) Write C3H to the CBnCTL0 register, and select the transmission mode, MSB first, and continuous transfer mode at the same time as enabling the operation of the communication clock (f_{CLK}).
- (4) The CBnSTR.CBnTnSF bit is set to 1 by writing the transmit data to the CBnTX register, and transmission is started.
- (5) When transmission is started, output the serial clock to the $\overline{\text{SCKBn}}$ pin, and output the transmit data from the SOBn pin in synchronization with the serial clock.
- (6) When transfer of the transmit data from the CBnTX register to the shift register is completed and writing to the CBnTX register is enabled, the transmission enable interrupt request signal (INTCBnT) is generated.
- (7) To continue transmission, write the transmit data to the CBnTX register again after the INTCBnT signal is generated.
- (8) When a new transmit data is written to the CBnTX register before communication completion, the next communication is started following communication completion.
- (9) The transfer of the transmit data from the CBnTX register to the shift register is completed and the INTCBnT signal is generated. To end continuous transmission with the current transmission, do not write to the CBnTX register.
- (10) When the next transmit data is not written to the CBnTX register before transfer completion, stop the serial clock output to the $\overline{\text{SCKBn}}$ pin after transfer completion, and clear the CBnTnSF bit to 0.
- (11) To release the transmission enable status, write the CBnCTL0.CBnPWR bit = 0 and the CBnCTL0.CBnTXE bit = 0 after checking that the CBnTnSF bit = 0.

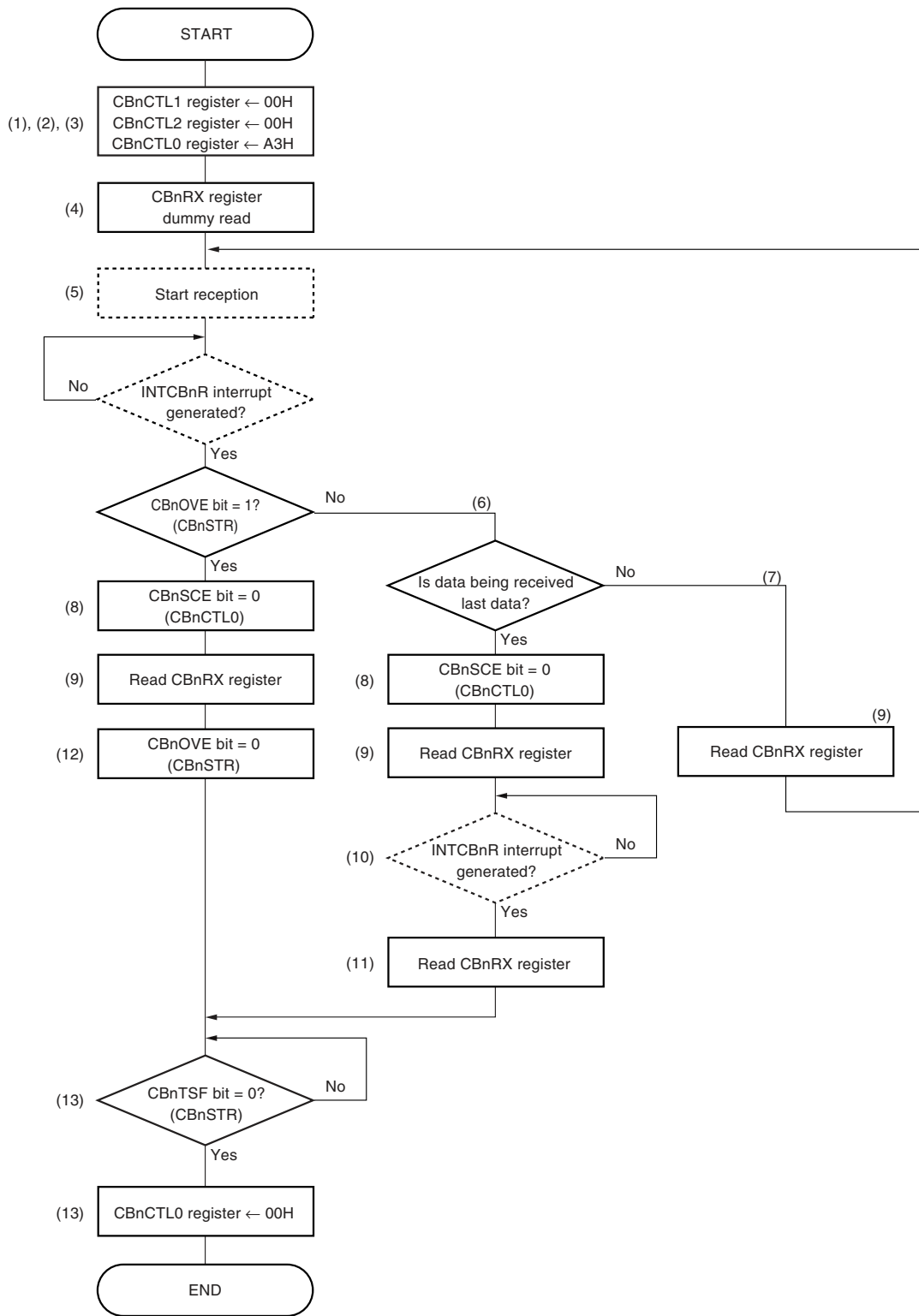
Caution In continuous transmission mode, the reception completion interrupt request signal (INTCBnR) is not generated.

Remark $n = 0$ to 2

14.5.8 Continuous transfer mode (master mode, reception mode)

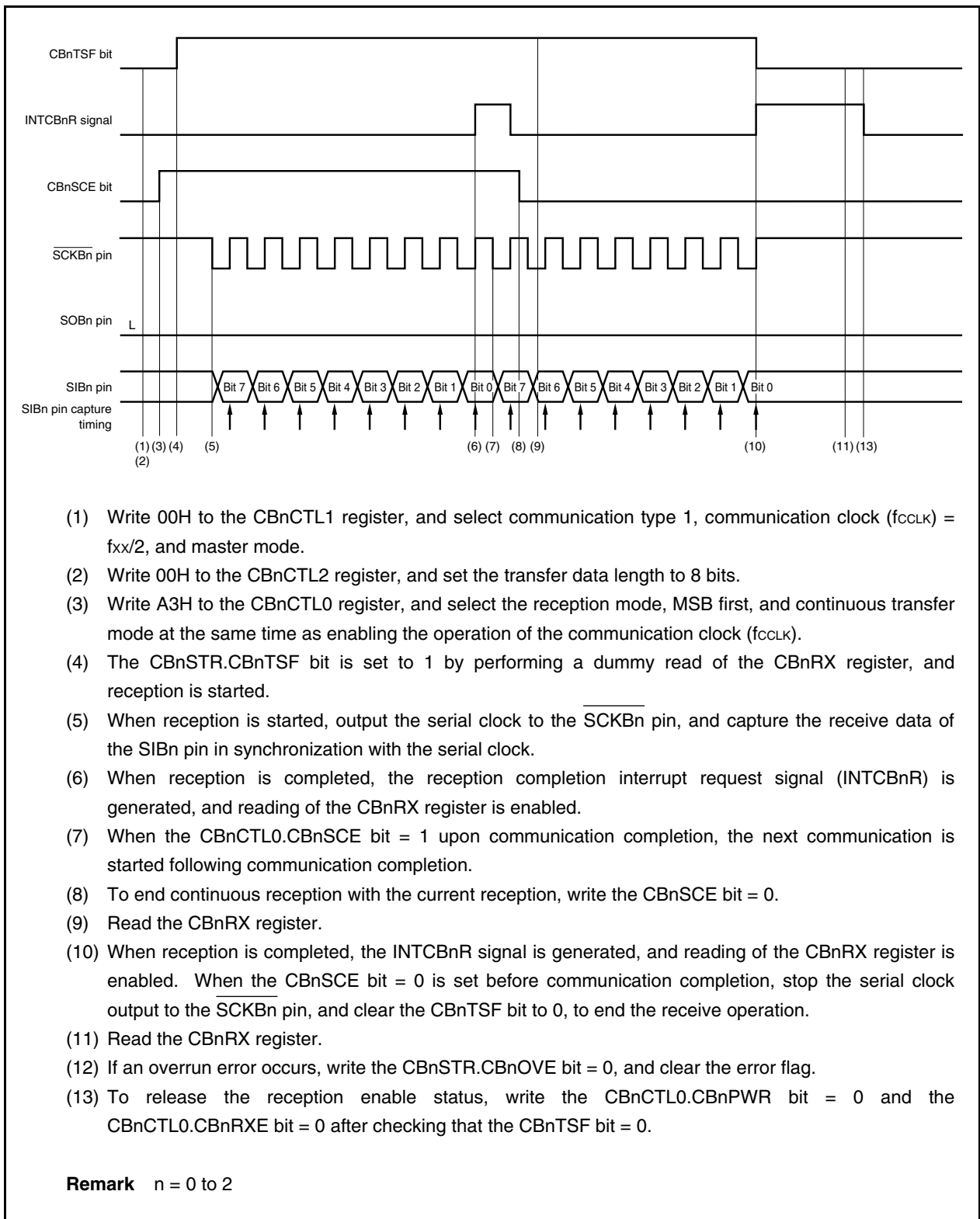
MSB first (CBnCTL0.CBnDIR bit = 0), communication type 1 (CBnCTL1.CBnCKP and CBnCTL1.CBnDAP bits = 00), communication clock (f_{CLK}) = $f_{\text{XX}}/2$ (CBnCTL1.CBnCKS2 to CBnCTL1.CBnCKS0 bits = 000), transfer data length = 8 bits (CBnCTL2.CBnCL3 to CBnCTL2.CBnCL0 bits = 0000)

(1) Operation flow



- Remarks**
1. The broken lines indicate the hardware processing.
 2. The numbers in this figure correspond to the processing numbers in (2) Operation timing.
 3. n = 0 to 2

(2) Operation timing



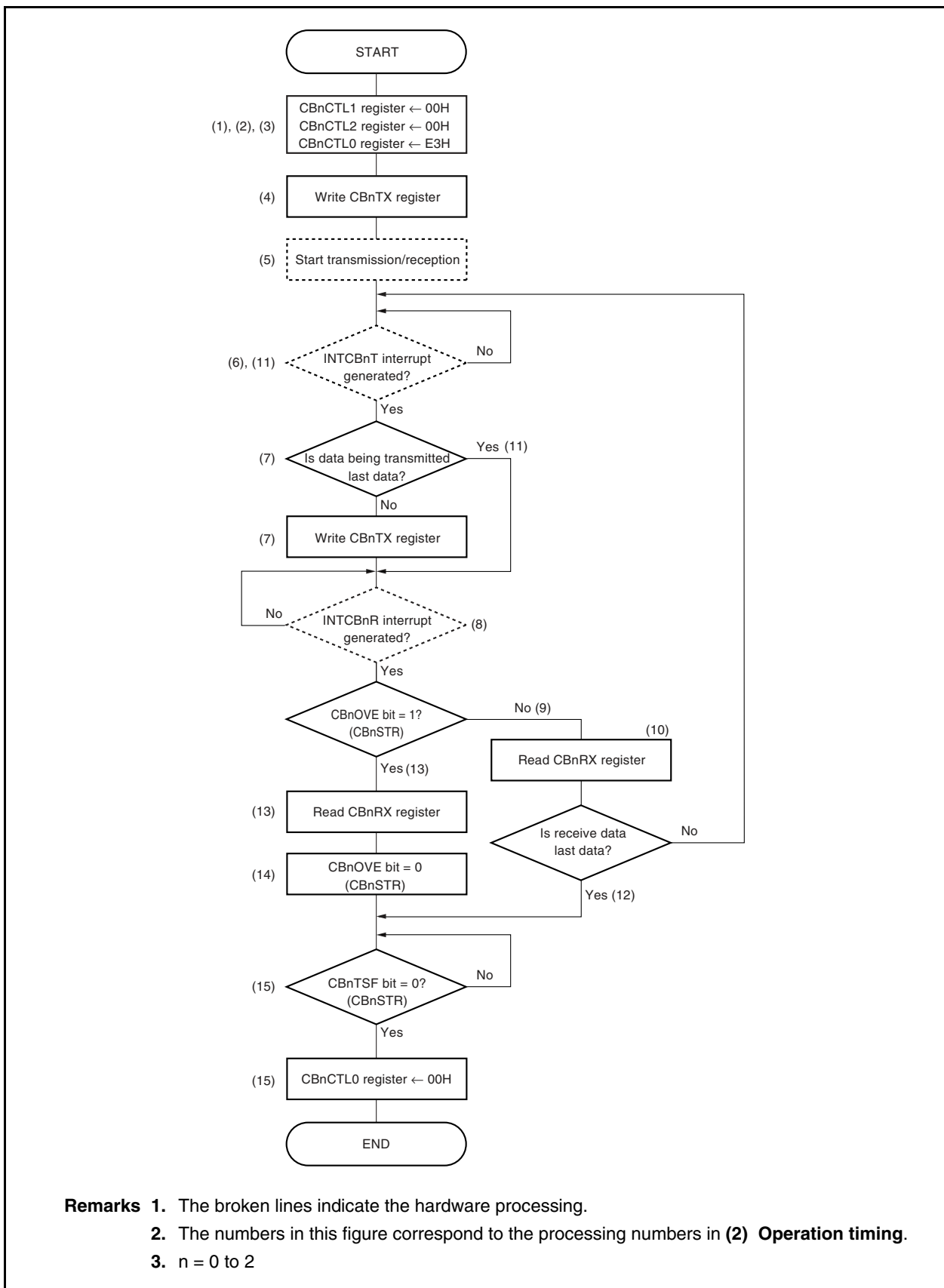
- (1) Write 00H to the CBnCTL1 register, and select communication type 1, communication clock (f_{CCLK}) = $f_{xx}/2$, and master mode.
- (2) Write 00H to the CBnCTL2 register, and set the transfer data length to 8 bits.
- (3) Write A3H to the CBnCTL0 register, and select the reception mode, MSB first, and continuous transfer mode at the same time as enabling the operation of the communication clock (f_{CCLK}).
- (4) The CBnSTR.CBnTSF bit is set to 1 by performing a dummy read of the CBnRX register, and reception is started.
- (5) When reception is started, output the serial clock to the SCKBn pin, and capture the receive data of the SIBn pin in synchronization with the serial clock.
- (6) When reception is completed, the reception completion interrupt request signal (INTCBnR) is generated, and reading of the CBnRX register is enabled.
- (7) When the CBnCTL0.CBnSCE bit = 1 upon communication completion, the next communication is started following communication completion.
- (8) To end continuous reception with the current reception, write the CBnSCE bit = 0.
- (9) Read the CBnRX register.
- (10) When reception is completed, the INTCBnR signal is generated, and reading of the CBnRX register is enabled. When the CBnSCE bit = 0 is set before communication completion, stop the serial clock output to the SCKBn pin, and clear the CBnTSF bit to 0, to end the receive operation.
- (11) Read the CBnRX register.
- (12) If an overrun error occurs, write the CBnSTR.CBnOVE bit = 0, and clear the error flag.
- (13) To release the reception enable status, write the CBnCTL0.CBnPWR bit = 0 and the CBnCTL0.CBnRXE bit = 0 after checking that the CBnTSF bit = 0.

Remark n = 0 to 2

14.5.9 Continuous transfer mode (master mode, transmission/reception mode)

MSB first (CBnCTL0.CBnDIR bit = 0), communication type 1 (CBnCTL1.CBnCKP and CBnCTL1.CBnDAP bits = 00), communication clock (f_{CLK}) = $f_{\text{XX}}/2$ (CBnCTL1.CBnCKS2 to CBnCTL1.CBnCKS0 bits = 000), transfer data length = 8 bits (CBnCTL2.CBnCL3 to CBnCTL2.CBnCL0 bits = 0000)

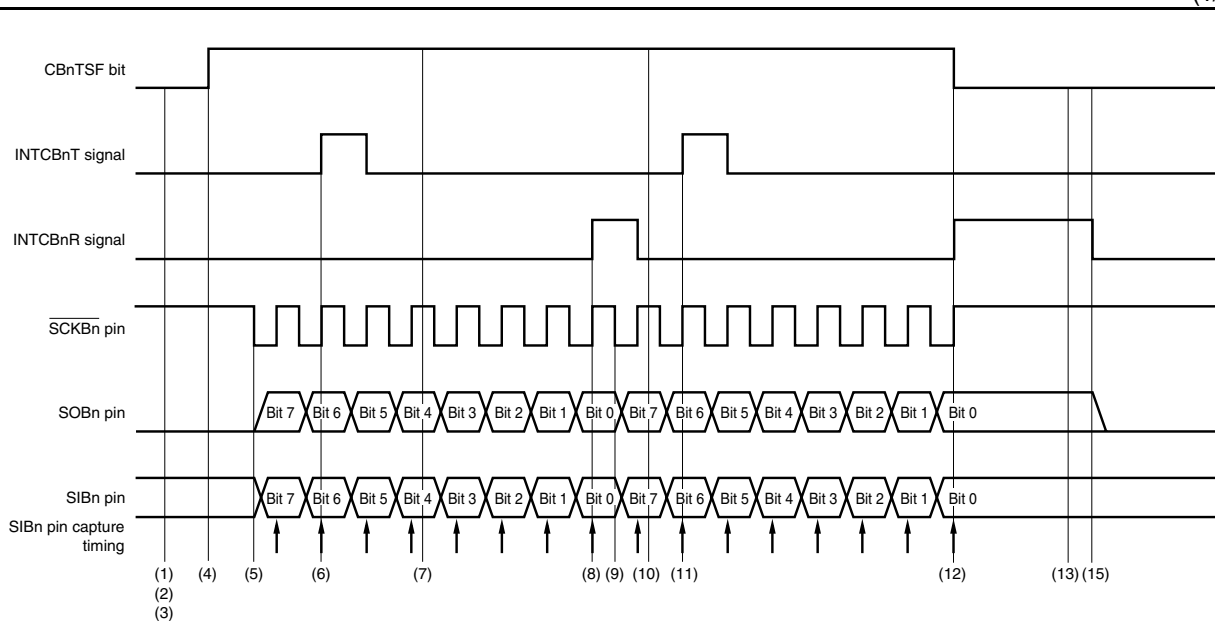
(1) Operation flow



- Remarks**
1. The broken lines indicate the hardware processing.
 2. The numbers in this figure correspond to the processing numbers in (2) **Operation timing**.
 3. n = 0 to 2

(2) Operation timing

(1/2)



- (1) Write 00H to the CBnCTL1 register, and select communication type 1, communication clock ($f_{\text{CLK}} = f_{\text{xx}}/2$), and master mode.
- (2) Write 00H to the CBnCTL2 register, and set the transfer data length to 8 bits.
- (3) Write E3H to the CBnCTL0 register, and select the transmission/reception mode, MSB first, and continuous transfer mode at the same time as enabling the operation of the communication clock (f_{CLK}).
- (4) The CBnSTR.CBnTSF bit is set to 1 by writing the transmit data to the CBnTX register, and transmission/reception is started.
- (5) When transmission/reception is started, output the serial clock to the SCKBn pin, output the transmit data to the SOBn pin in synchronization with the serial clock, and capture the receive data of the SIBn pin.
- (6) When transfer of the transmit data from the CBnTX register to the shift register is completed and writing to the CBnTX register is enabled, the transmission enable interrupt request signal (INTCBnT) is generated.
- (7) To continue transmission/reception, write the transmit data to the CBnTX register again after the INTCBnT signal is generated.
- (8) When one transmission/reception is completed, the reception completion interrupt request signal (INTCBnR) is generated, and reading of the CBnRX register is enabled.
- (9) When a new transmit data is written to the CBnTX register before communication completion, the next communication is started following communication completion.
- (10) Read the CBnRX register.

Remark $n = 0$ to 2

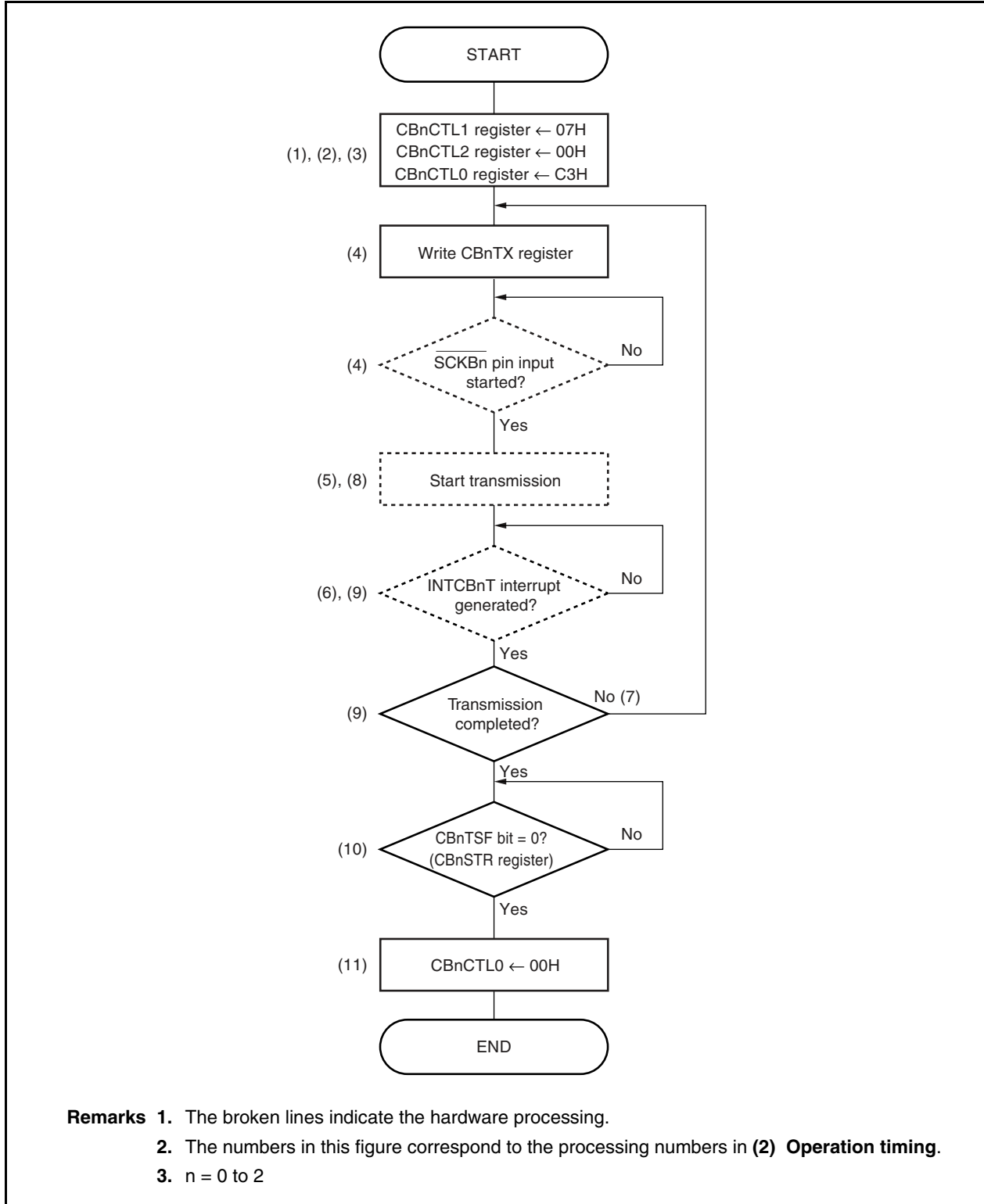
- (11) The transfer of the transmit data from the CBnTX register to the shift register is completed and the INTCBnT signal is generated. To end continuous transmission/reception with the current transmission/reception, do not write to the CBnTX register.
- (12) When the next transmit data is not written to the CBnTX register before transfer completion, stop the serial clock output to the $\overline{\text{SCKBn}}$ pin after transfer completion, and clear the CBnTSF bit to 0.
- (13) When the reception error interrupt request signal (INTCBnR) is generated, read the CBnRX register.
- (14) If an overrun error occurs, write the CBnSTR.CBnOVE bit = 0, and clear the error flag.
- (15) To release the transmission/reception enable status, write the CBnCTL0.CBnPWR bit = 0, the CBnCTL0.CBnTXE bit = 0, and the CBnCTL0.CBnRXE bit = 0 after checking that the CBnTSF bit = 0.

Remark n = 0 to 2

14.5.10 Continuous transfer mode (slave mode, transmission mode)

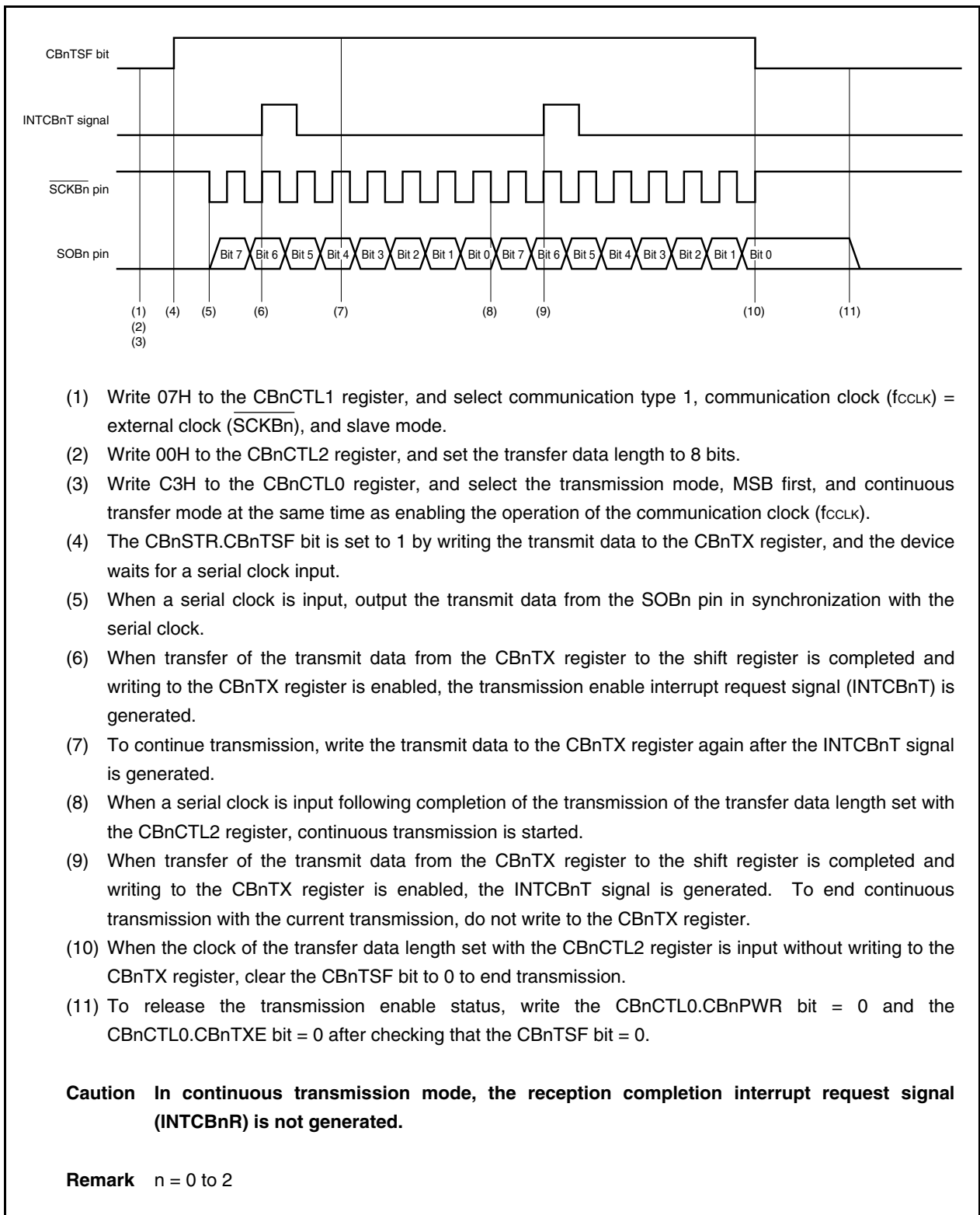
MSB first (CBnCTL0.CBnDIR bit = 0), communication type 1 (CBnCTL1.CBnCKP and CBnCTL1.CBnDAP bits = 00), communication clock (f_{CLK}) = external clock (SCKBn) (CBnCTL1.CBnCKS2 to CBnCTL1.CBnCKS0 bits = 111), transfer data length = 8 bits (CBnCTL2.CBnCL3 to CBnCTL2.CBnCL0 bits = 0000)

(1) Operation flow



- Remarks**
1. The broken lines indicate the hardware processing.
 2. The numbers in this figure correspond to the processing numbers in **(2) Operation timing**.
 3. n = 0 to 2

(2) Operation timing



- (1) Write 07H to the `CBnCTL1` register, and select communication type 1, communication clock (f_{CLK}) = external clock (`SCKBn`), and slave mode.
- (2) Write 00H to the `CBnCTL2` register, and set the transfer data length to 8 bits.
- (3) Write C3H to the `CBnCTL0` register, and select the transmission mode, MSB first, and continuous transfer mode at the same time as enabling the operation of the communication clock (f_{CLK}).
- (4) The `CBnSTR.CBnTSF` bit is set to 1 by writing the transmit data to the `CBnTX` register, and the device waits for a serial clock input.
- (5) When a serial clock is input, output the transmit data from the `SOBn` pin in synchronization with the serial clock.
- (6) When transfer of the transmit data from the `CBnTX` register to the shift register is completed and writing to the `CBnTX` register is enabled, the transmission enable interrupt request signal (`INTCBnT`) is generated.
- (7) To continue transmission, write the transmit data to the `CBnTX` register again after the `INTCBnT` signal is generated.
- (8) When a serial clock is input following completion of the transmission of the transfer data length set with the `CBnCTL2` register, continuous transmission is started.
- (9) When transfer of the transmit data from the `CBnTX` register to the shift register is completed and writing to the `CBnTX` register is enabled, the `INTCBnT` signal is generated. To end continuous transmission with the current transmission, do not write to the `CBnTX` register.
- (10) When the clock of the transfer data length set with the `CBnCTL2` register is input without writing to the `CBnTX` register, clear the `CBnTSF` bit to 0 to end transmission.
- (11) To release the transmission enable status, write the `CBnCTL0.CBnPWR` bit = 0 and the `CBnCTL0.CBnTXE` bit = 0 after checking that the `CBnTSF` bit = 0.

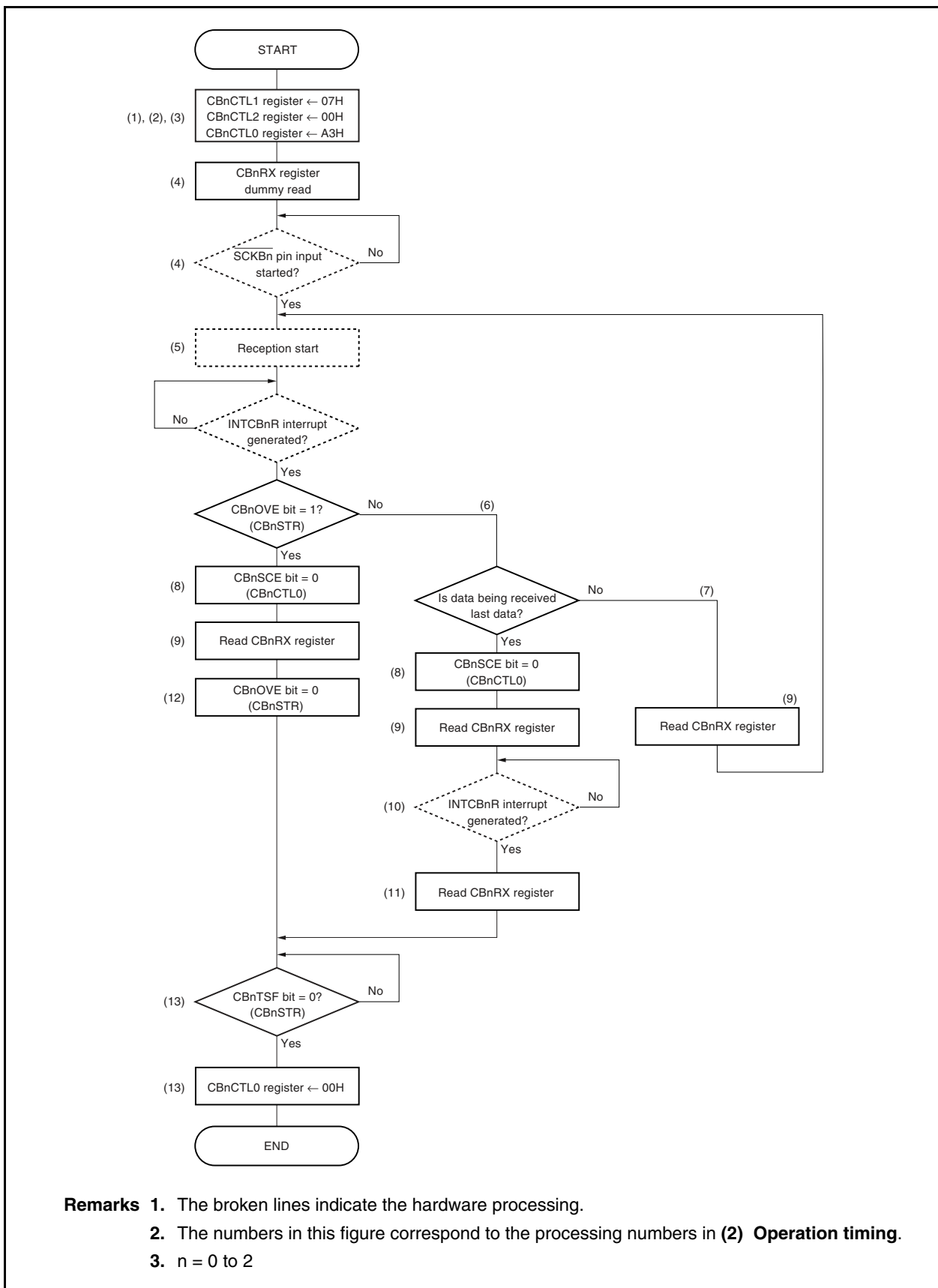
Caution In continuous transmission mode, the reception completion interrupt request signal (`INTCBnR`) is not generated.

Remark $n = 0$ to 2

14.5.11 Continuous transfer mode (slave mode, reception mode)

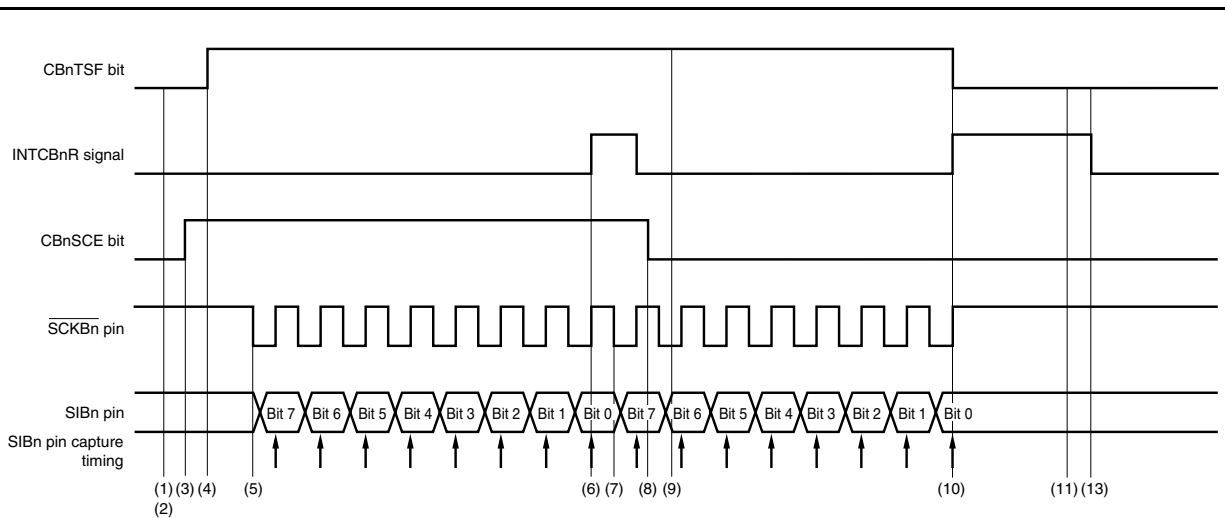
MSB first (CBnCTL0.CBnDIR bit = 0), communication type 1 (CBnCTL1.CBnCKP and CBnCTL1.CBnDAP bits = 00), communication clock (f_{CCLK}) = external clock ($\overline{\text{SCKBn}}$) (CBnCTL1.CBnCKS2 to CBnCTL1.CBnCKS0 bits = 111), transfer data length = 8 bits (CBnCTL2.CBnCL3 to CBnCTL2.CBnCL0 bits = 0000)

(1) Operation flow



- Remarks**
1. The broken lines indicate the hardware processing.
 2. The numbers in this figure correspond to the processing numbers in (2) **Operation timing**.
 3. n = 0 to 2

(2) Operation timing



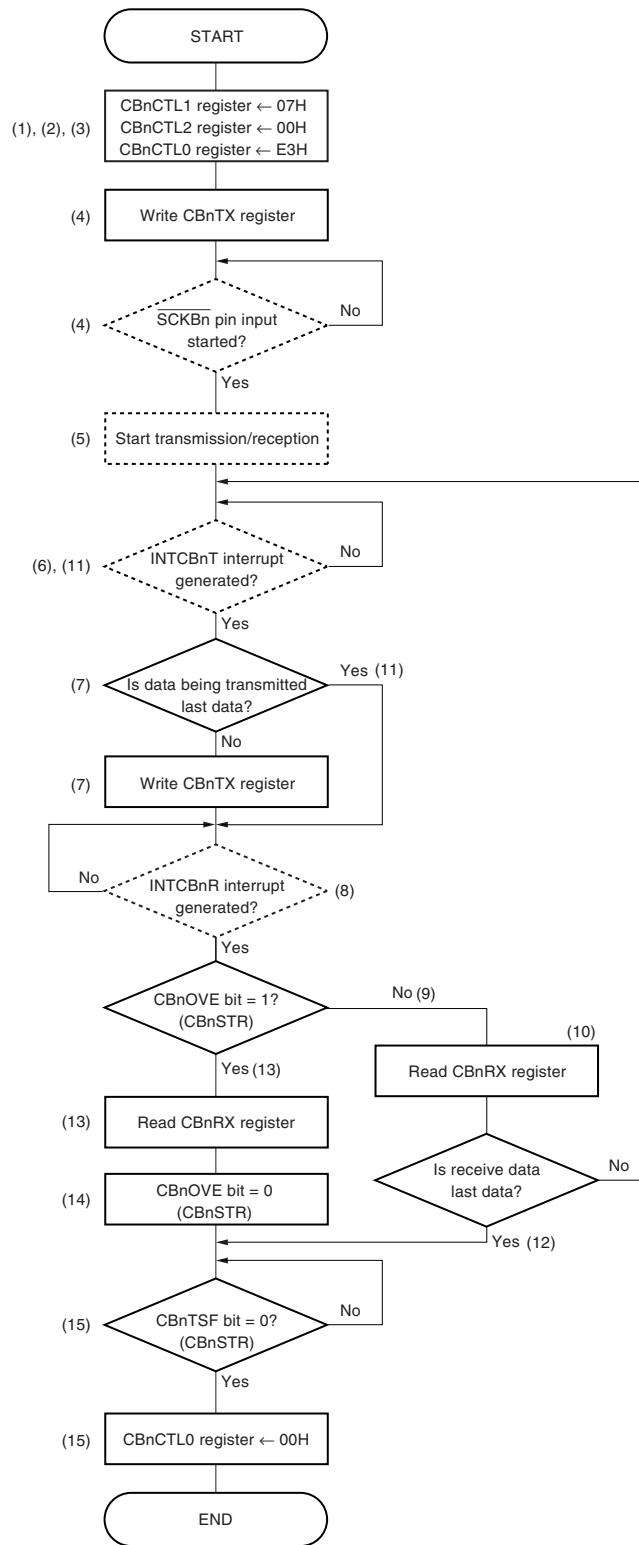
- (1) Write 07H to the `CBnCTL1` register, and select communication type 1, communication clock (f_{CLK}) = external clock (`SCKBn`), and slave mode.
- (2) Write 00H to the `CBnCTL2` register, and set the transfer data length to 8 bits.
- (3) Write A3H to the `CBnCTL0` register, and select the reception mode, MSB first, and continuous transfer mode at the same time as enabling the operation of the communication clock (f_{CLK}).
- (4) The `CBnSTR.CBnTSF` bit is set to 1 by performing a dummy read of the `CBnRX` register, and the device waits for a serial clock input.
- (5) When a serial clock is input, capture the receive data of the `SIBn` pin in synchronization with the serial clock.
- (6) When reception is completed, the reception completion interrupt request signal (`INTCBnR`) is generated, and reading of the `CBnRX` register is enabled.
- (7) When a serial clock is input in the `CBnCTL0.CBnSCE` bit = 1 status, continuous reception is started.
- (8) To end continuous reception with the current reception, write the `CBnSCE` bit = 0.
- (9) Read the `CBnRX` register.
- (10) When reception is completed, the `INTCBnR` signal is generated, and reading of the `CBnRX` register is enabled. When the `CBnSCE` bit = 0 is set before communication completion, clear the `CBnTSF` bit to 0 to end the receive operation.
- (11) Read the `CBnRX` register.
- (12) If an overrun error occurs, write the `CBnSTR.CBnOVE` bit = 0, and clear the error flag.
- (13) To release the reception enable status, write the `CBnCTL0.CBnPWR` bit = 0 and the `CBnCTL0.CBnRXE` bit = 0 after checking that the `CBnTSF` bit = 0.

Remark n = 0 to 2

14.5.12 Continuous transfer mode (slave mode, transmission/reception mode)

MSB first (CBnCTL0.CBnDIR bit = 0), communication type 1 (CBnCTL1.CBnCKP and CBnCTL1.CBnDAP bits = 00), communication clock (f_{CLK}) = external clock ($\overline{\text{SCKBn}}$) (CBnCTL1.CBnCKS2 to CBnCTL1.CBnCKS0 bits = 111), transfer data length = 8 bits (CBnCTL2.CBnCL3 to CBnCTL2.CBnCL0 bits = 0000)

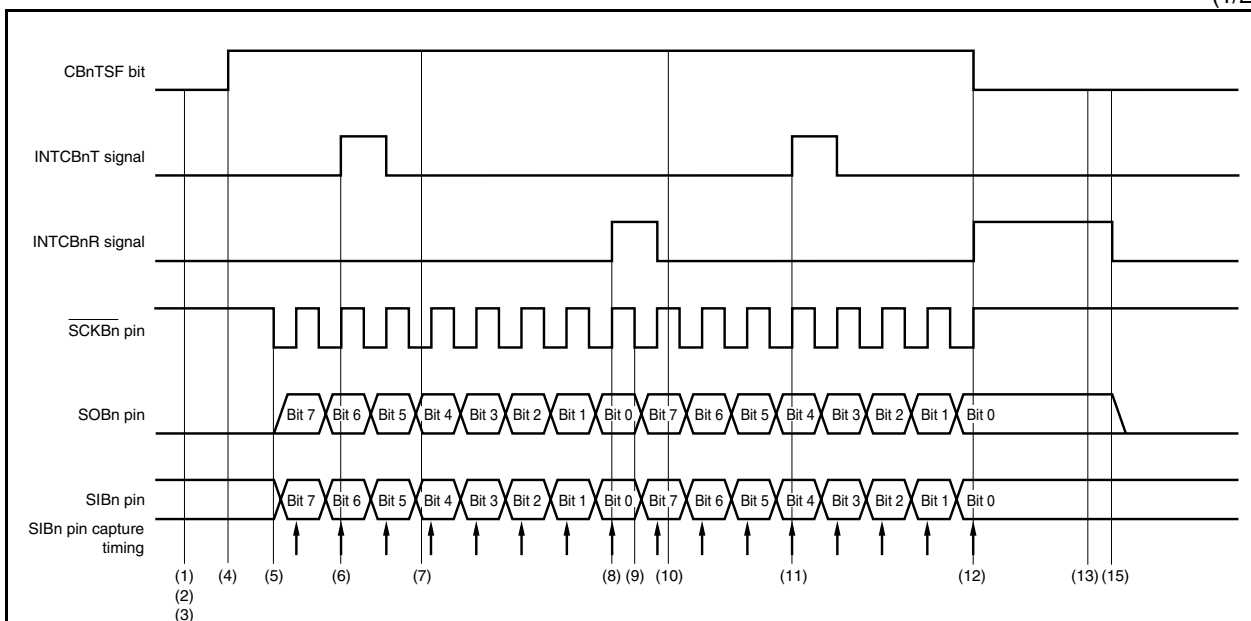
(1) Operation flow



- Remarks**
1. The broken lines indicate the hardware processing.
 2. The numbers in this figure correspond to the processing numbers in (2) Operation timing.
 3. n = 0 to 2

(2) Operation timing

(1/2)



- (1) Write 07H to the CBnCTL1 register, and select communication type 1, communication clock (f_{CCLK}) = external clock (SCKBn), and slave mode.
- (2) Write 00H to the CBnCTL2 register, and set the transfer data length to 8 bits.
- (3) Write E3H to the CBnCTL0 register, and select the transmission/reception mode, MSB first, and continuous transfer mode at the same time as enabling the operation of the communication clock (f_{CCLK}).
- (4) The CBnSTR.CBnTSF bit is set to 1 by writing the transmit data to the CBnTX register, and the device waits for a serial clock input.
- (5) When a serial clock is input, output the transmit data to the SOBn pin in synchronization with the serial clock, and capture the receive data of the SIBn pin.
- (6) When transfer of the transmit data from the CBnTX register to the shift register is completed and writing to the CBnTX register is enabled, the transmission enable interrupt request signal (INTCBnT) is generated.
- (7) To continue transmission, write the transmit data to the CBnTX register again after the INTCBnT signal is generated.
- (8) When reception of the transfer data length set with the CBnCTL2 register is completed, the reception completion interrupt request signal (INTCBnR) is generated, and reading of the CBnRX register is enabled.
- (9) When a serial clock is input continuously, continuous transmission/reception is started.
- (10) Read the CBnRX register.
- (11) When transfer of the transmit data from the CBnTX register to the shift register is completed and writing to the CBnTX register is enabled, the INTCBnT signal is generated. To end continuous transmission/reception with the current transmission/reception, do not write to the CBnTX register.

Remark n = 0 to 2

- (12) When the clock of the transfer data length set with the CBnCTL2 register is input without writing to the CBnTX register, the INTCBnR signal is generated. Clear the CBnTSF bit to 0 to end transmission/reception.
- (13) When the INTCBnR signal is generated, read the CBnRX register.
- (14) If an overrun error occurs, write the CBnSTR.CBnOVE bit = 0, and clear the error flag.
- (15) To release the transmission/reception enable status, write the CBnCTL0.CBnPWR bit = 0, the CBnCTL0.CBnTXE bit = 0, and the CBnCTL0.CBnRXE bit = 0 after checking that the CBnTSF bit = 0.

Remark n = 0 to 2

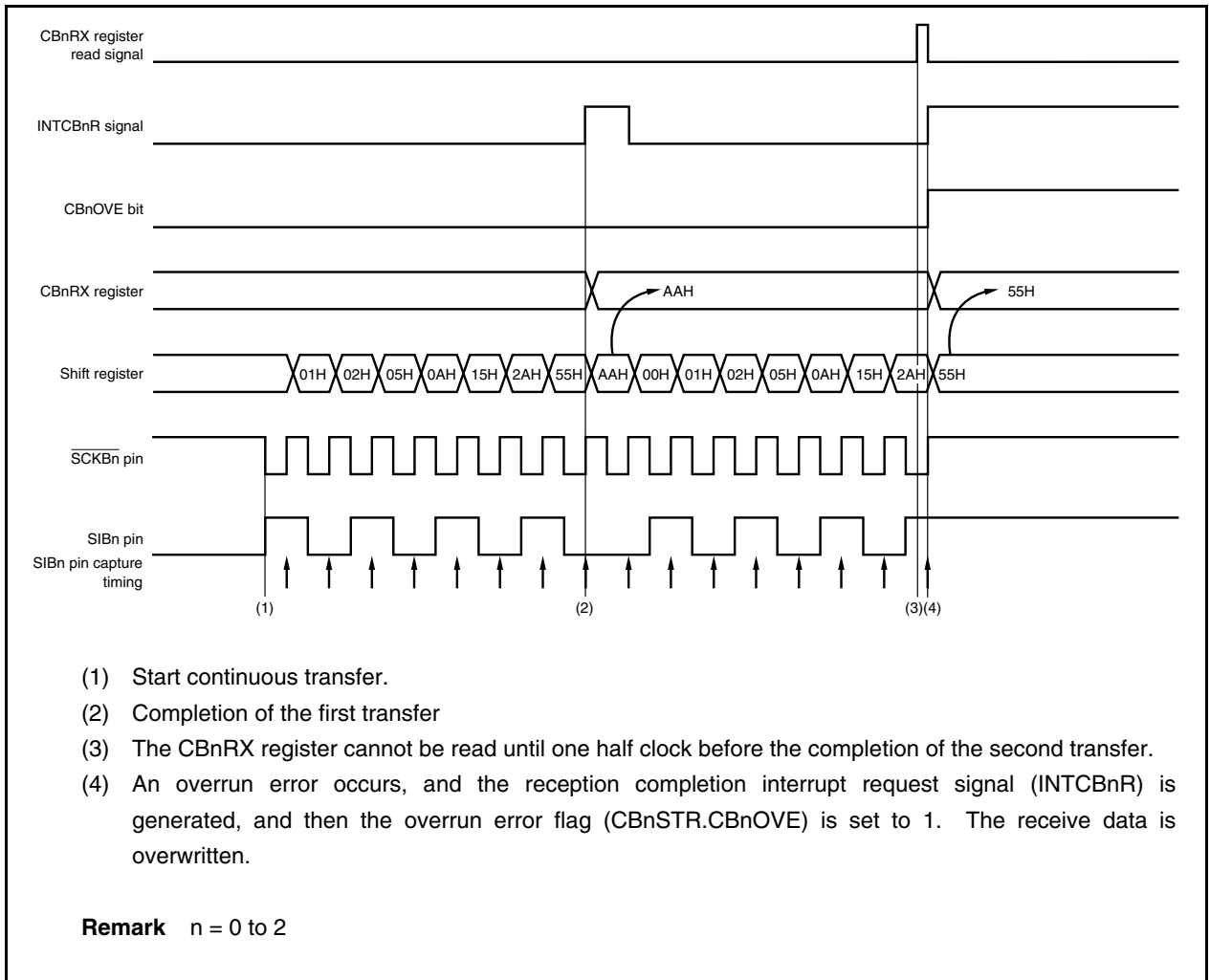
14.5.13 Reception error

When transfer is performed with reception enabled (CBnCTL0.CBnRXE bit = 1) in the continuous transfer mode, the reception completion interrupt request signal (INTCBnR) is generated again when the next receive operation is completed before the CBnRX register is read after the INTCBnR signal is generated, and the overrun error flag (CBnSTR.CBnOVE) is set to 1.

Even if an overrun error has occurred, the previous receive data is lost since the CBnRX register is updated. Even if a reception error has occurred, the INTCBnR signal is generated again upon the next reception completion if the CBnRX register is not read.

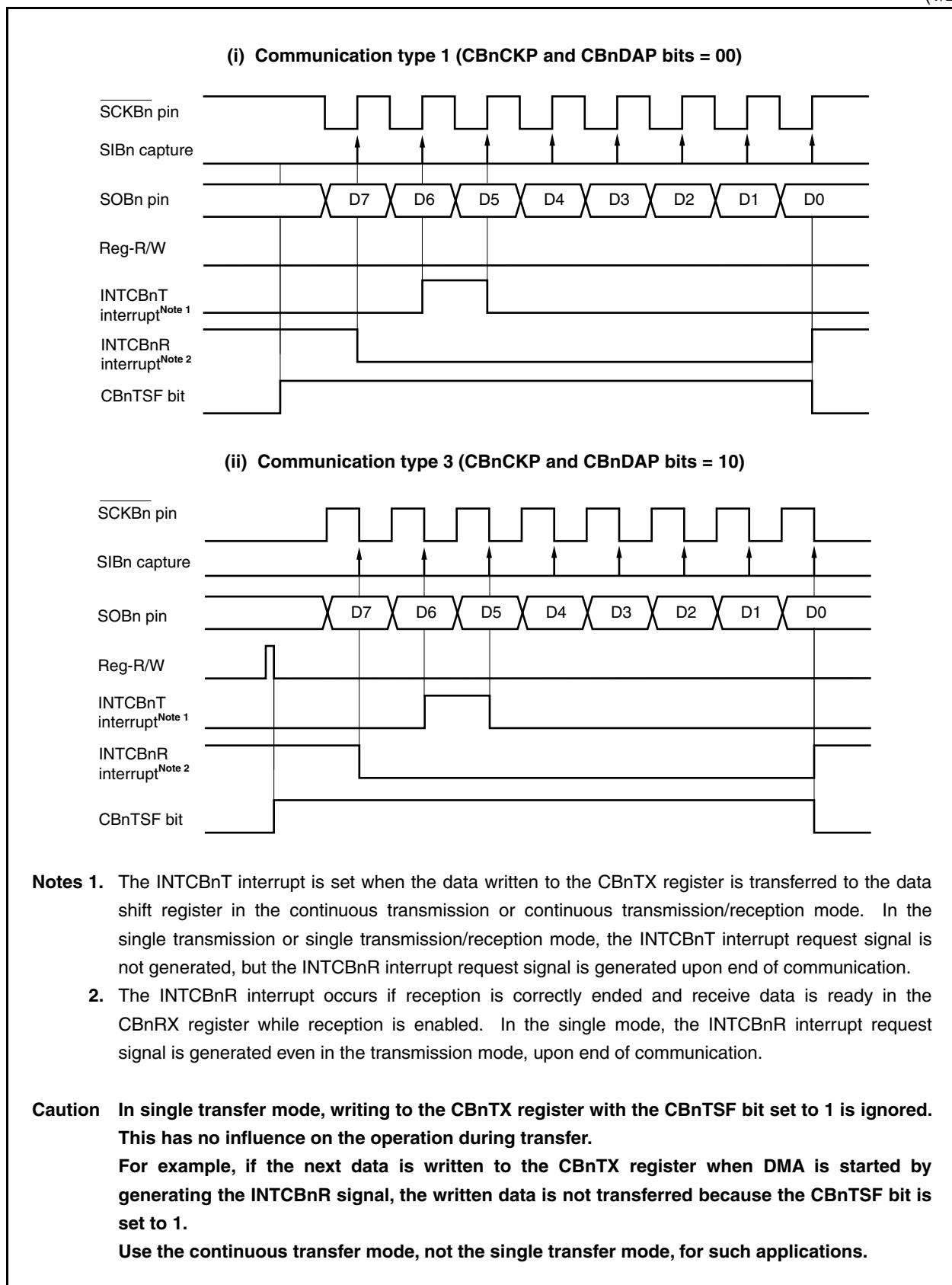
To avoid an overrun error, complete reading the CBnRX register until one half clock before sampling the last bit of the next receive data from the INTCBnR signal generation.

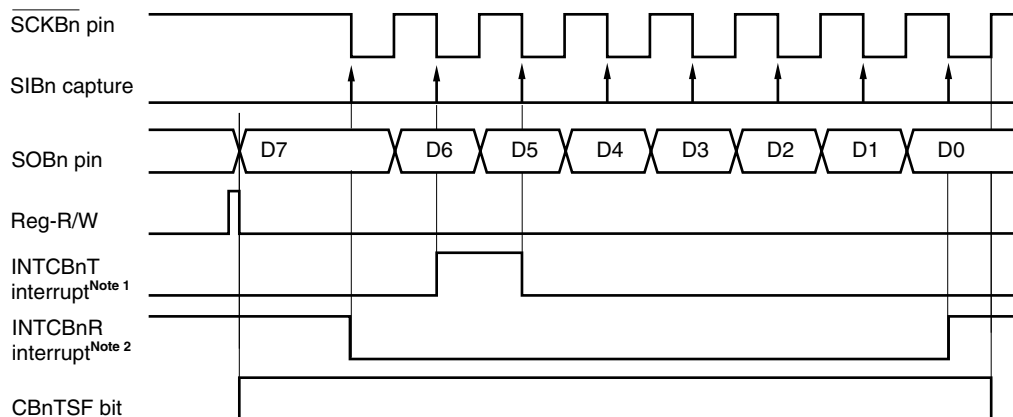
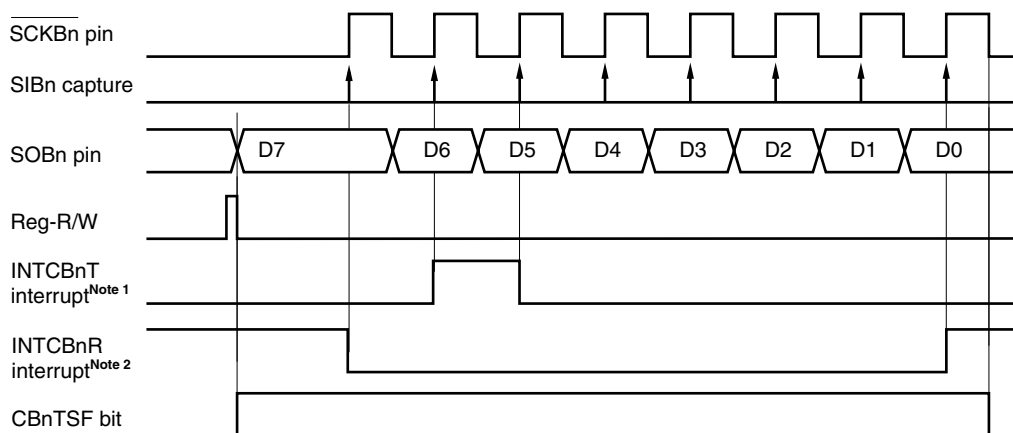
(1) Operation timing



14.5.14 Clock timing

(1/2)



(iii) Communication type 2 (CBnCKP and CBnDAP bits = 01)**(iv) Communication type 4 (CBnCKP and CBnDAP bits = 11)**

Notes 1. The INTCBnT interrupt is set when the data written to the CBnTX register is transferred to the data shift register in the continuous transmission or continuous transmission/reception modes. In the single transmission or single transmission/reception modes, the INTCBnT interrupt request signal is not generated, but the INTCBnR interrupt request signal is generated upon end of communication.

- 2.** The INTCBnR interrupt occurs if reception is correctly ended and receive data is ready in the CBnRX register while reception is enabled. In the single mode, the INTCBnR interrupt request signal is generated even in the transmission mode, upon end of communication.

Caution In single transfer mode, writing to the CBnTX register with the CBnTSF bit set to 1 is ignored. This has no influence on the operation during transfer.

For example, if the next data is written to the CBnTX register when DMA is started by generating the INTCBnR signal, the written data is not transferred because the CBnTSF bit is set to 1.

Use the continuous transfer mode, not the single transfer mode, for such applications.

14.6 Output Pin Status with Operation Disabled

(1) $\overline{\text{SCKBn}}$ pin

When CSIBn operation is disabled (CBnCTL0.CBnPWR bit = 0), the $\overline{\text{SCKBn}}$ pin output status is as follows.

CBnCKS2	CBnCKS1	CBnCKS0	CBnCKP	$\overline{\text{SCKBn}}$ Pin Output
1	1	1	×	High impedance
Other than above			0	Fixed to high level
Other than above			1	Fixed to low level

Remarks 1. The output level of the $\overline{\text{SCKBn}}$ pin changes if any of the CBnCTL1.CBnCKP and CBnCKS2 to CBnCKS0 bits is rewritten.

2. n = 0 to 2
3. ×: don't care

(2) SOBn pin

When CSIBn operation is disabled (CBnPWR bit = 0), the SOBn pin output status is as follows.

CBnTXE	CBnDAP	CBnDIR	SOBn Pin Output
0	×	×	Fixed to low level
1	0	×	SOBn latch value (low level)
	1	0	CBnTX register value (MSB)
		1	CBnTX register value (LSB)

Remarks 1. The SOBn pin output changes when any one of the CBnCTL0.CBnTXE, CBnCTL0.CBnDIR bits, and CBnCTL1.CBnDAP bit is rewritten.

2. n = 0 to 2
3. ×: don't care

14.7 Baud Rate Generator

The clock generated by the baud rate generator (prescaler 3) is supplied to the watch timer and CSIB0.

(1) Prescaler mode register 0 (PRSM0)

The PRSM0 register controls generation of the baud rate signal for CSIB.

This register can be read or written in 8-bit or 1-bit units.

Reset sets this register to 00H.

After reset: 00H		R/W	Address: FFFFF8B0H					
	7	6	5	4	3	2	1	0
PRSM0	0	0	0	BGCE0	0	0	BGCS01	BGCS00

BGCE0	Baud rate output			
0	Disabled			
1	Enabled			

BGCS01	BGCS00	Count clock selection (f_{BGCS})		
			5 MHz	4 MHz
0	0	f_x	200 ns	250 ns
0	1	$f_x/2$	400 ns	500 ns
1	0	$f_x/4$	800 ns	1 μ s
1	1	$f_x/8$	1.6 μ s	2 μ s

Cautions

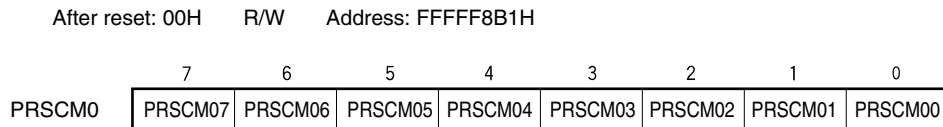
1. Do not rewrite the PRSM0 register while watch timer and CSIB0 are operating.
2. Set the PRSM0 register before setting the BGCE0 bit to 1.

(2) Prescaler compare register 0 (PRSCM0)

The PRSCM0 register is an 8-bit compare registers.

This register can be read or written in 8-bit units.

Reset sets this register to 00H.



- Cautions**
1. Do not rewrite the PRSCM0 register while watch timer and CSIB are operating.
 2. Set the PRSCM0 register before setting the PRSM0.BGCE0 bit to 1.

14.7.1 Baud rate generation

The transmission/reception clock is generated by dividing the main clock. The baud rate generated from the main clock is obtained by the following equation.

$$f_{\text{BRG}} = \frac{f_{\text{XX}}}{2^{k+1} N}$$

Caution Set so that the f_{BRG} is 8 MHz or less.

Remark

- f_{BRG} : BRG count clock
- f_{XX} : Main clock oscillation frequency
- k : PRSM0 register setting value = 0 to 3
- N : PRSCM0 register setting value = 1 to 256

However, $N = 256$ only when PRSCM0 register is set to 00H.

14.8 Cautions

- (1) When transferring transmit data and receive data using DMA transfer, error processing cannot be performed even if an overrun error occurs during serial transfer. Check that the no overrun error has occurred by reading the CBnSTR.CBnOVE bit after DMA transfer has been completed.
- (2) In regards to registers that are forbidden from being rewritten during operations (CBnCTL0.CBnPWR bit is 1), if rewriting has been carried out by mistake during operations, set the CBnCTL0.CBnPWR bit to 0 once, then initialize CSIBn.

Registers to which rewriting during operation are prohibited are shown below.

- CBnCTL0 register: CBnTXE, CBnRXE, CBnDIR, CBnTMS bits
- CBnCTL1 register: CBnCKP, CBnDAP, CBnCKS2 to CBnCKS0 bits
- CBnCTL2 register: CBnCL3 to CBnCL0 bits

- (3) In communication type 2 and 4 (CBnCTL1.CBnDAP bit = 1), the CBnSTR.CBnTSF bit is cleared half a $\overline{\text{SCKBn}}$ clock after occurrence of a reception complete interrupt (INTCBnR).

In the single transfer mode, writing the next transmit data is ignored during communication (CBnTSF bit = 1), and the next communication is not started. Also if reception-only communication (CBnCTL0.CBnTXE bit = 0, CBnCTL0.CBnRXE bit = 1) is set, the next communication is not started even if the receive data is read during communication (CBnTSF bit = 1).

Therefore, when using the single transfer mode with communication type 2 or 4 (CBnDAP bit = 1), pay particular attention to the following.

- To start the next transmission, confirm that CBnTSF bit = 0 and then write the transmit data to the CBnTX register.
- To perform the next reception continuously when reception-only communication (CBnTXE bit = 0, CBnRXE bit = 1) is set, confirm that CBnTSF bit = 0 and then read the CBnRX register.

Or, use the continuous transfer mode instead of the single transfer mode. Use of the continuous transfer mode is recommended especially for using DMA.

Remark n = 0 to 2

CHAPTER 15 DMA FUNCTION (DMA CONTROLLER)

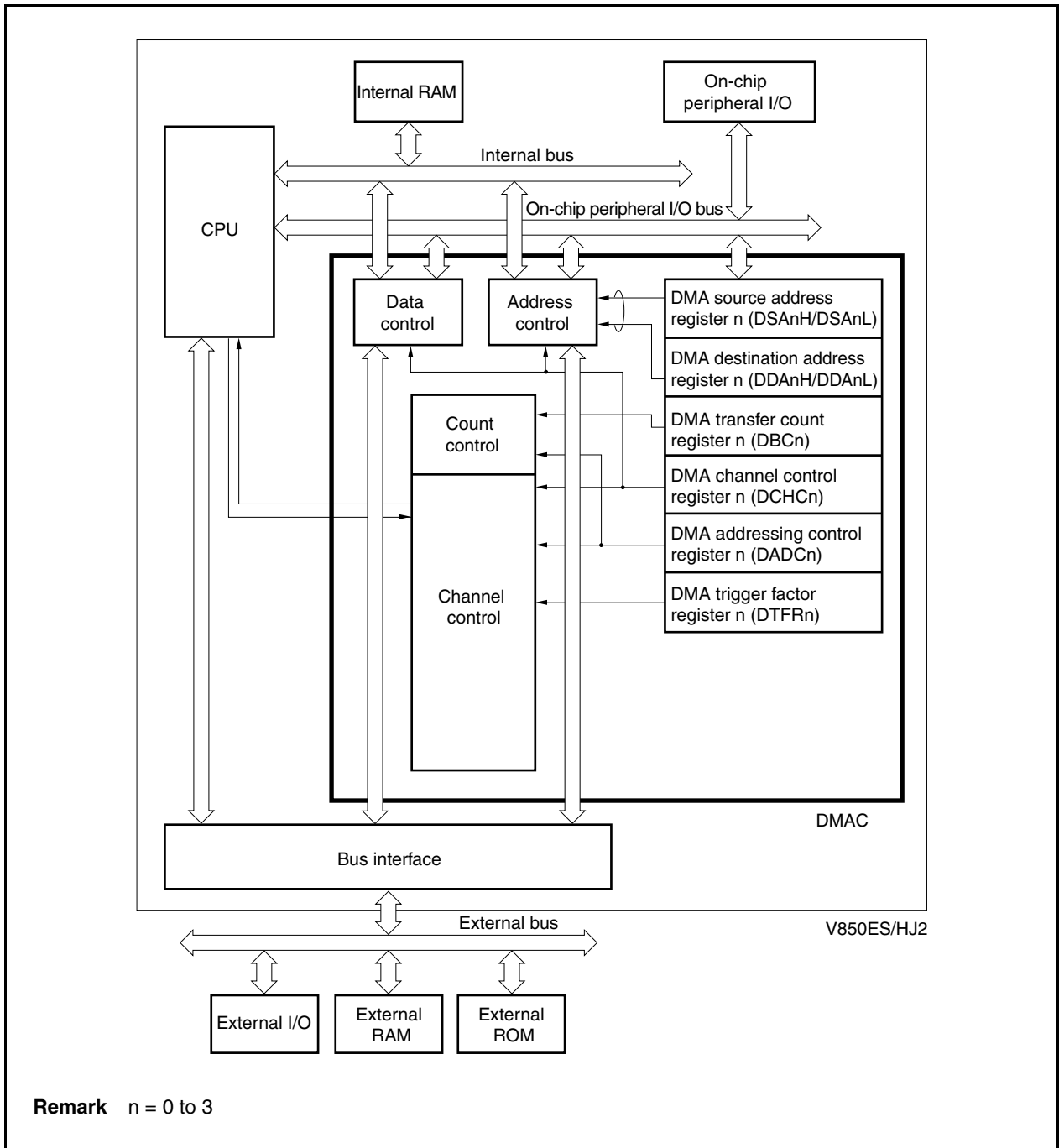
The V850ES/HJ2 includes a direct memory access (DMA) controller (DMAC) that executes and controls DMA transfer.

The DMAC controls data transfer between memory and I/O, between memories, or between I/Os based on DMA requests issued by the on-chip peripheral I/O (serial interface, timer/counter, and A/D converter), interrupts from external input pins, or software triggers (memory refers to internal RAM or external memory).

15.1 Features

- 4 independent DMA channels
- Transfer unit: 8/16 bits
- Maximum transfer count: 65,536 (2^{16})
- Transfer type: Two-cycle transfer
- Transfer mode: Single transfer mode
- Transfer requests
 - Request by interrupts from on-chip peripheral I/O (serial interface, timer/counter, A/D converter) or interrupts from external input pin
 - Requests by software trigger
- Transfer targets
 - Internal RAM ↔ Peripheral I/O
 - Peripheral I/O ↔ Peripheral I/O
 - Internal RAM ↔ External memory
 - External memory ↔ Peripheral I/O
 - External memory ↔ External memory

15.2 Configuration



15.3 Registers

(1) DMA source address registers 0 to 3 (DSA0 to DSA3)

The DSA0 to DSA3 registers set the DMA source addresses (26 bits each) for DMA channel n (n = 0 to 3).

These registers are divided into two 16-bit registers, DSAnH and DSAnL.

These registers can be read or written in 16-bit units.

After reset: Undefined R/W Address: DSA0H FFFFF082H, DSA1H FFFFF08AH,
 DSA2H FFFFF092H, DSA3H FFFFF09AH,
 DSA0L FFFFF080H, DSA1L FFFFF088H,
 DSA2L FFFFF090H, DSA3L FFFFF098H

	15	14	13	12	11	10	9	8	7	6	5	4	3	2	1	0
DSAnH (n = 0 to 3)	IR	0	0	0	0	0	SA25	SA24	SA23	SA22	SA21	SA20	SA19	SA18	SA17	SA16

	15	14	13	12	11	10	9	8	7	6	5	4	3	2	1	0
DSAnL (n = 0 to 3)	SA15	SA14	SA13	SA12	SA11	SA10	SA9	SA8	SA7	SA6	SA5	SA4	SA3	SA2	SA1	SA0

IR	Specification of DMA transfer source
0	External memory or on-chip peripheral I/O
1	Internal RAM

SA25 to SA16	Set the address (A25 to A16) of the DMA transfer source (default value is undefined). During DMA transfer, the next DMA transfer source address is held. When DMA transfer is completed, the DMA address set first is held.
--------------	-----------------------------------------------------------------------------------------------------------------------------------------------------------------------------------------------------------------------------------

SA15 to SA0	Set the address (A15 to A0) of the DMA transfer source (default value is undefined). During DMA transfer, the next DMA transfer source address is held. When DMA transfer is completed, the DMA address set first is held.
-------------	----------------------------------------------------------------------------------------------------------------------------------------------------------------------------------------------------------------------------------

- Cautions**
- Be sure to clear bits 14 to 10 of the DSAnH register to 0.
 - Set the DSAnH and DSAnL registers at the following timing when DMA transfer is disabled (DHCn.Enn bit = 0).
 - Period from after reset to start of first DMA transfer
 - Period from after channel initialization by DHCn.INITn bit to start of DMA transfer
 - Period from after completion of DMA transfer (DHCn.TCn bit = 1) to start of the next DMA transfer
 - When the value of the DSAn register is read, two 16-bit registers, DSAnH and DSAnL, are read. If reading and updating conflict, the value being updated may be read (see 15.13 Cautions).
 - Following reset, set the DSAnH, DSAnL, DDAnH, DDAnL, and DBCn registers before starting DMA transfer. If these registers are not set, the operation when DMA transfer is started is not guaranteed.

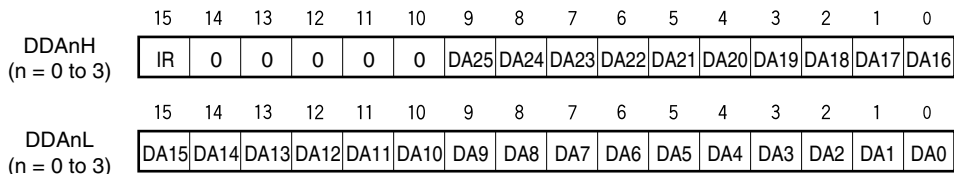
(2) DMA destination address registers 0 to 3 (DDA0 to DDA3)

The DDA0 to DDA3 registers set the DMA destination address (26 bits each) for DMA channel n (n = 0 to 3).

These registers are divided into two 16-bit registers, DDAnH and DDAnL.

These registers can be read or written in 16-bit units.

After reset: Undefined R/W Address: DDA0H FFFFFFF086H, DDA1H FFFFFFF08EH,
 DDA2H FFFFFFF096H, DDA3H FFFFFFF09EH,
 DDA0L FFFFFFF084H, DDA1L FFFFFFF08CH,
 DDA2L FFFFFFF094H, DDA3L FFFFFFF09CH



IR	Specification of DMA transfer destination
0	External memory or on-chip peripheral I/O
1	Internal RAM

DA25 to DA16	Set an address (A25 to A16) of DMA transfer destination (default value is undefined). During DMA transfer, the next DMA transfer destination address is held. When DMA transfer is completed, the DMA transfer source address set first is held.
--------------	--------------------------------------------------------------------------------------------------------------------------------------------------------------------------------------------------------------------------------------------------------

DA15 to DA0	Set an address (A15 to A0) of DMA transfer destination (default value is undefined). During DMA transfer, the next DMA transfer destination address is held. When DMA transfer is completed, the DMA transfer source address set first is held.
-------------	-------------------------------------------------------------------------------------------------------------------------------------------------------------------------------------------------------------------------------------------------------

- Cautions**
- Be sure to clear bits 14 to 10 of the DDAnH register to 0.
 - Set the DDAnH and DDAnL registers at the following timing when DMA transfer is disabled (DCHCn.Enn bit = 0).
 - Period from after reset to start of first DMA transfer
 - Period from after channel initialization by DCHCn.INITn bit to start of DMA transfer
 - Period from after completion of DMA transfer (DCHCn.TCn bit = 1) to start of the next DMA transfer
 - When the value of the DDAn register is read, two 16-bit registers, DDAnH and DDAnL, are read. If reading and updating conflict, a value being updated may be read (see 15.13 Cautions).
 - Following reset, set the DSAnH, DSAnL, DDAnH, DDAnL, and DBCn registers before starting DMA transfer. If these registers are not set, the operation when DMA transfer is started is not guaranteed.

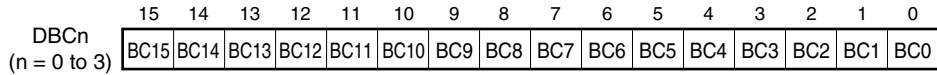
(3) DMA byte count registers 0 to 3 (DBC0 to DBC3)

The DBC0 to DBC3 registers are 16-bit registers that set the byte transfer count for DMA channel n (n = 0 to 3). These registers hold the remaining transfer count during DMA transfer.

These registers are decremented by 1 per one transfer regardless of the transfer data unit (8/16 bits), and the transfer is terminated if a borrow occurs.

These registers can be read or written in 16-bit units.

After reset: Undefined R/W Address: DBC0 FFFF0C0H, DBC1 FFFF0C2H,
 DBC2 FFFF0C4H, DBC3 FFFF0C6H



BC15 to BC0	Byte transfer count setting or remaining byte transfer count during DMA transfer
0000H	Byte transfer count 1 or remaining byte transfer count
0001H	Byte transfer count 2 or remaining byte transfer count
:	:
FFFFH	Byte transfer count 65,536 (2 ¹⁶) or remaining byte transfer count
The number of transfer data set first is held when DMA transfer is complete.	

Cautions 1. Set the DBC_n register at the following timing when DMA transfer is disabled (DCHC_n.Enn bit = 0).

- Period from after reset to start of first DMA transfer
- Period from after channel initialization by DCHC_n.INIT_n bit to start of DMA transfer
- Period from after completion of DMA transfer (DCHC_n.TC_n bit = 1) to start of the next DMA transfer

2. Following reset, set the DSAnH, DSAnL, DDAnH, DDAnL, and DBC_n registers before starting DMA transfer. If these registers are not set, the operation when DMA transfer is started is not guaranteed.

(4) DMA addressing control registers 0 to 3 (DADC0 to DADC3)

The DADC0 to DADC3 registers are 16-bit registers that control the DMA transfer mode for DMA channel n (n = 0 to 3).

These registers can be read or written in 16-bit units.

Reset sets these registers to 0000H.

After reset: 0000H R/W Address: DADC0 FFFFF0D0H, DADC1 FFFFF0D2H,
DADC2 FFFFF0D4H, DADC3 FFFFF0D6H

	15	14	13	12	11	10	9	8
DADCn	0	DS0	0	0	0	0	0	0
(n = 0 to 3)								
	7	6	5	4	3	2	1	0
	SAD1	SAD0	DAD1	DAD0	0	0	0	0

DS0	Setting of transfer data size
0	8 bits
1	16 bits

SAD1	SAD0	Setting of count direction of the transfer source address
0	0	Increment
0	1	Decrement
1	0	Fixed
1	1	Setting prohibited

DAD1	DAD0	Setting of count direction of the destination address
0	0	Increment
0	1	Decrement
1	0	Fixed
1	1	Setting prohibited

- Cautions**
- Be sure to clear bits 15, 13 to 8, and 3 to 0 of the DADCn register to “0”.
 - Set the DADCn register at the following timing when DMA transfer is disabled (DCHCn.Enn bit = 0).
 - Period from after reset to start of first DMA transfer
 - Period from after channel initialization by DCHCn.INITn bit to start of DMA transfer
 - Period from after completion of DMA transfer (DCHCn.TCn bit = 1) to start of the next DMA transfer
 - The DS0 bit specifies the size of the transfer data, and does not control bus sizing. If 8-bit data (DS0 bit = 0) is set, therefore, the lower data bus is not always used.
 - If the transfer data size is set to 16 bits (DS0 bit = 1), transfer cannot be started from an odd address. Transfer is always started from an address with the first bit of the lower address aligned to 0.
 - If DMA transfer is executed on an on-chip peripheral I/O register (as the transfer source or destination), be sure to specify the same transfer size as the register size. For example, to execute DMA transfer on an 8-bit register, be sure to specify 8-bit transfer.

(5) DMA channel control registers 0 to 3 (DCHC0 to DCHC3)

The DCHC0 to DCHC3 registers are 8-bit registers that control the DMA transfer operating mode for DMA channel n.

These registers can be read or written in 8-bit or 1-bit units. (However, bit 7 is read-only and bits 1 and 2 are write-only. If bit 1 or 2 is read, the read value is always 0.)

Reset sets these registers to 00H.

After reset: 00H R/W Address: DCHC0 FFFF0E0H, DCHC1 FFFF0E2H,
DCHC2 FFFF0E4H, DCHC3 FFFF0E6H

	7	6	5	4	3	2	1	0
DCHCn (n = 0 to 3)	TCn ^{Note 1}	0	0	0	0	INITn ^{Note 2}	STGn ^{Note 2}	Enn

TCn ^{Note 1}	Status flag indicates whether DMA transfer through DMA channel n has completed or not
0	DMA transfer had not completed.
1	DMA transfer had completed.
It is set to 1 on the last DMA transfer and cleared to 0 when it is read.	

INITn ^{Note 2}	If the INITn bit is set to 1 with DMA transfer disabled (Enn bit = 0), the DMA transfer status can be initialized. When re-setting the DMA transfer status (re-setting the DDAnH, DDAnL, DSAnH, DSAnL, DBCn, and DADCn registers) before DMA transfer is completed (before the TCn bit is set to 1), be sure to initialize the DMA channel. When initializing the DMA controller, however, be sure to observe the procedure described in 15.13 Cautions .
-------------------------	------------------------------------------------------------------------------------------------------------------------------------------------------------------------------------------------------------------------------------------------------------------------------------------------------------------------------------------------------------------------------------------------------------------------------------------------------------------------

STGn ^{Note 2}	This is a software startup trigger of DMA transfer. If this bit is set to 1 in the DMA transfer enable state (TCn bit = 0, Enn bit = 1), DMA transfer is started.
------------------------	----------------------------------------------------------------------------------------------------------------------------------------------------------------------

Enn	Setting of whether DMA transfer through DMA channel n is to be enabled or disabled
0	DMA transfer disabled
1	DMA transfer enabled
DMA transfer is enabled when the Enn bit is set to 1. When DMA transfer is completed (when a terminal count is generated), this bit is automatically cleared to 0. To abort DMA transfer, clear the Enn bit to 0 by software. To resume, set the Enn bit to 1 again. When aborting or resuming DMA transfer, however, be sure to observe the procedure described in 15.13 Cautions .	

- Notes**
1. The TCn bit is read-only.
 2. The INITn and STGn bits are write-only.

- Cautions**
1. Be sure to clear bits 6 to 3 of the DCHCn register to “0”.
 2. When DMA transfer is completed (when a terminal count is generated), the Enn bit is cleared to 0 and then the TCn bit is set to 1. If the DCHCn register is read while its bits are being updated, a value indicating “transfer not completed and transfer is disabled” (TCn bit = 0 and Enn bit = 0) may be read.

(6) DMA trigger factor registers 0 to 3 (DTFR0 to DTFR3)

The DTFR0 to DTFR3 registers are 8-bit registers that control the DMA transfer start trigger via interrupt request signals from on-chip peripheral I/O.

The interrupt request signals set by these registers serve as DMA transfer start factors.

These registers can be read or written in 8-bit units. However, DF_n bit can be read or written in 1-bit units.

Reset sets these registers to 00H.

After reset: 00H R/W Address: DTFR0 FFFFF810H, DTFR1 FFFFF812H,
DTFR2 FFFFF814H, DTFR3 FFFFF816H

	7	6	5	4	3	2	1	0
DTFR _n	DF _n	0	IFC _n 5	IFC _n 4	IFC _n 3	IFC _n 2	IFC _n 1	IFC _n 0

(n = 0 to 3)

DF _n ^{Note}	DMA transfer request status flag
0	No DMA transfer request
1	DMA transfer request

<R>

Note Do not set the DF_n bit to 1 by software. Write 0 to this bit to clear a DMA transfer request if an interrupt that is specified as the cause of starting DMA transfer occurs while DMA transfer is disabled.

Cautions 1. Set the IFC_n5 to IFC_n0 bits at the following timing when DMA transfer is disabled (DCHC_n.Enn bit = 0).

- Period from after reset to start of first DMA transfer
 - Period from after channel initialization by DCHC_n.INIT_n bit to start of DMA transfer
 - Period from after completion of DMA transfer (DCHC_n.TC_n bit = 1) to start of the next DMA transfer
2. An interrupt request that is generated in the standby mode (IDEL1, IDLE2, STOP, or sub-IDLE mode) does not start the DMA transfer cycle (nor is the DF_n bit set to 1).
 3. If a DMA start factor is selected by the IFC_n5 to IFC_n0 bits, the DF_n bit is set to 1 when an interrupt occurs from the selected on-chip peripheral I/O, regardless of whether the DMA transfer is enabled or disabled. If DMA is enabled in this status, DMA transfer is immediately started.

Remark For the IFC_n5 to IFC_n0 bits, see Table 15-1 DMA Start Factors.

Table 15-1. DMA Start Factors (1/2)

IFCn5	IFCn4	IFCn3	IFCn2	IFCn1	IFCn0	Interrupt Source
0	0	0	0	0	0	DMA request by interrupt disabled
0	0	0	0	0	1	INTLVI
0	0	0	0	1	0	INTP0
0	0	0	0	1	1	INTP1
0	0	0	1	0	0	INTP2
0	0	0	1	0	1	INTP3
0	0	0	1	1	0	INTP4
0	0	0	1	1	1	INTP5
0	0	1	0	0	0	INTP6
0	0	1	0	0	1	INTP7
0	0	1	0	1	0	INTTQ0OV
0	0	1	0	1	1	INTTQ0CC0
0	0	1	1	0	0	INTTQ0CC1
0	0	1	1	0	1	INTTQ0CC2
0	0	1	1	1	0	INTTQ0CC3
0	0	1	1	1	1	INTTP0OV
0	1	0	0	0	0	INTTP0CC0
0	1	0	0	0	1	INTTP0CC1
0	1	0	0	1	0	INTTP1OV
0	1	0	0	1	1	INTTP1CC0
0	1	0	1	0	0	INTTP1CC1
0	1	0	1	0	1	INTTP2OV
0	1	0	1	1	0	INTTP2CC0
0	1	0	1	1	1	INTTP2CC1
0	1	1	0	0	0	INTTP3OV
0	1	1	0	0	1	INTTP3CC0
0	1	1	0	1	0	INTTP3CC1
0	1	1	0	1	1	INTTM0EQ0
0	1	1	1	0	0	INTCB0R
0	1	1	1	0	1	INTCB0T
0	1	1	1	1	0	INTCB1R
0	1	1	1	1	1	INTCB1T
1	0	0	0	0	0	INTUA0R
1	0	0	0	0	1	INTUA0T
1	0	0	0	1	0	INTUA1R
1	0	0	0	1	1	INTUA1T
1	0	0	1	0	0	INTAD
1	0	1	0	0	1	INTKR
1	0	1	0	1	0	INTTQ1OV

Remark n = 0 to 3

Table 15-1. DMA Start Factors (2/2)

IFCn5	IFCn4	IFCn3	IFCn2	IFCn1	IFCn0	Interrupt Source
1	0	1	0	1	1	INTTQ1CC0
1	0	1	1	0	0	INTTQ1CC1
1	0	1	1	0	1	INTTQ1CC2
1	0	1	1	1	0	INTTQ1CC3
1	0	1	1	1	1	INTUA2R
1	1	0	0	0	0	INTUA2T
1	1	0	1	0	1	INTTQ2OV
1	1	0	1	1	0	INTTQ2CC0
1	1	0	1	1	1	INTTQ2CC1
1	1	1	0	0	0	INTTQ2CC2
1	1	1	0	0	1	INTTQ2CC3
1	1	1	0	1	0	INTCB2R
1	1	1	0	1	1	INTCB2T

Remark n = 0 to 3

15.4 Transfer Targets

Table 15-2 shows the relationship between the transfer targets (√: Transfer enabled, ×: Transfer disabled).

Table 15-2. Relationship Between Transfer Targets

		Transfer Destination			
		Internal ROM	On-Chip Peripheral I/O	Internal RAM	External Memory
Source	On-chip peripheral I/O	×	√	√	√
	Internal RAM	×	√	×	√
	External memory	×	√	√	√
	Internal ROM	×	×	×	×

Caution The operation is not guaranteed for combinations of transfer destination and source marked with “×” in Table 15-2.

15.5 Transfer Modes

Single transfer is supported as the transfer mode.

In single transfer mode, the bus is released at each byte/halfword transfer. If there is a subsequent DMA transfer request, transfer is performed again once. This operation continues until a terminal count occurs.

When the DMAC has released the bus, if another higher priority DMA transfer request is issued, the higher priority DMA request always takes precedence.

If a new transfer request of the same channel and a transfer request of another channel with a lower priority are generated in a transfer cycle, DMA transfer of the channel with the lower priority is executed after the bus is released to the CPU (the new transfer request of the same channel is ignored in the transfer cycle).

15.6 Transfer Types

As a transfer type, the 2-cycle transfer is supported.

In two-cycle transfer, data transfer is performed in two cycles, a read cycle and a write cycle.

In the read cycle, the transfer source address is output and reading is performed from the source to the DMAC. In the write cycle, the transfer destination address is output and writing is performed from the DMAC to the destination.

An idle cycle of one clock is always inserted between a read cycle and a write cycle. If the data bus width differs between the transfer source and destination for DMA transfer of two cycles, the operation is performed as follows.

<16-bit data transfer>

<1> Transfer from 32-bit bus → 16-bit bus

A read cycle (the higher 16 bits are in a high-impedance state) is generated, followed by generation of a write cycle (16 bits).

<2> Transfer from 16-/32-bit bus to 8-bit bus

A 16-bit read cycle is generated once, and then an 8-bit write cycle is generated twice.

<3> Transfer from 8-bit bus to 16-/32-bit bus

An 8-bit read cycle is generated twice, and then a 16-bit write cycle is generated once.

<4> Transfer between 16-bit bus and 32-bit bus

A 16-bit read cycle is generated once, and then a 16-bit write cycle is generated once.

For DMA transfer executed to an on-chip peripheral I/O register (transfer source/destination), be sure to specify the same transfer size as the register size. For example, for DMA transfer to an 8-bit register, be sure to specify byte (8-bit) transfer.

Remark The bus width of each transfer target (transfer source/destination) is as follows.

- On-chip peripheral I/O: 16-bit bus width
- Internal RAM: 32-bit bus width
- External memory: 8-bit or 16-bit bus width

15.7 DMA Channel Priorities

The DMA channel priorities are fixed as follows.

DMA channel 0 > DMA channel 1 > DMA channel 2 > DMA channel 3

The priorities are checked for every transfer cycle.

15.8 Time Related to DMA Transfer

The time required to respond to a DMA request, and the minimum number of clocks required for DMA transfer are shown below.

Single transfer: DMA response time (<1>) + Transfer source memory access (<2>) + 1^{Note 1} + Transfer destination memory access (<2>)

DMA Cycle		Minimum Number of Execution Clocks
<1> DMA request response time		4 clocks (MIN.) + Noise elimination time ^{Note 2}
<2> Memory access	External memory access	Depends on connected memory.
	Internal RAM access	2 clocks ^{Note 3}
	Peripheral I/O register access	3 clocks + Number of wait cycles specified by VSWC register ^{Note 4}

- Notes**
1. One clock is always inserted between a read cycle and a write cycle in DMA transfer.
 2. If an external interrupt (INTPn) is specified as the trigger to start DMA transfer, noise elimination time is added (n = 0 to 14).
 3. Two clocks are required for a DMA cycle.
 4. More wait cycles are necessary for accessing a specific peripheral I/O register (for details, see **3.4.8 (2)**).

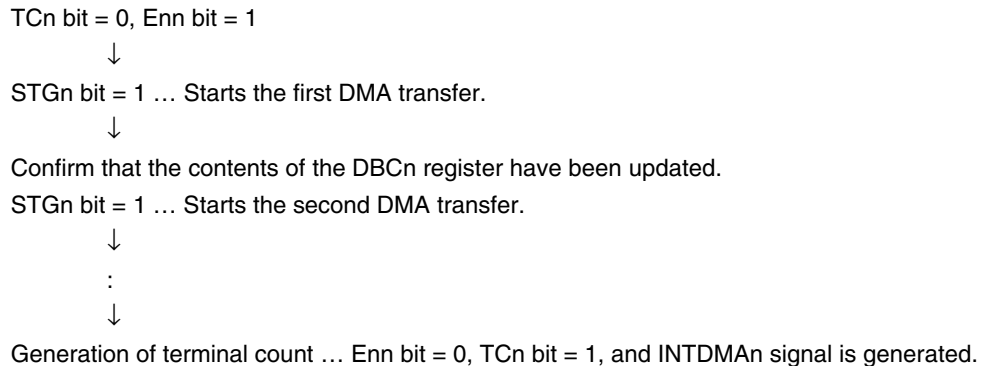
15.9 DMA Transfer Start Factors

There are two types of DMA transfer start factors, as shown below.

(1) Request by software

If the STGn bit is set to 1 while the DCHCn.TCn bit = 1 and Enn bit = 1 (DMA transfer enabled), DMA transfer is started.

To request the next DMA transfer cycle immediately after that, confirm, by using the DBCn register, that the preceding DMA transfer cycle has been completed, and set the STGn bit to 1 again (n = 0 to 3).



(2) Request by on-chip peripheral I/O

If an interrupt request is generated from the on-chip peripheral I/O set by the DTFRn register when the DCHCn.TCn bit = 0 and Enn bit = 1 (DMA transfer enabled), DMA transfer is started.

- Cautions**
- Two start factors (software trigger and hardware trigger) cannot be used for one DMA channel. If two start factors are simultaneously generated for one DMA channel, only one of them is valid. The start factor that is valid cannot be identified.**
 - A new transfer request that is generated after the preceding DMA transfer request was generated or in the preceding DMA transfer cycle is ignored (cleared).**
 - The transfer request interval of the same DMA channel varies depending on the setting of bus wait in the DMA transfer cycle, the start status of the other channels, or the external bus hold request. In particular, as described in Caution 2, a new transfer request that is generated for the same channel before the DMA transfer cycle or during the DMA transfer cycle is ignored. Therefore, the transfer request intervals for the same DMA channel must be sufficiently separated by the system. When the software trigger is used, completion of the DMA transfer cycle that was generated before can be checked by updating the DBCn register.**

15.10 DMA Abort Factors

DMA transfer is aborted if a bus hold occurs.

The same applies if transfer is executed between the internal memory/on-chip peripheral I/O and internal memory/on-chip peripheral I/O.

When the bus hold is cleared, DMA transfer is resumed.

15.11 End of DMA Transfer

When DMA transfer has been completed the number of times set to the DBCn register and when the DHCn.Enn bit is cleared to 0 and TCn bit is set to 1, a DMA transfer end interrupt request signal (INTDMAn) is generated for the interrupt controller (INTC) (n = 0 to 3).

The V850ES/HJ2 does not output a terminal count signal to an external device. Therefore, confirm completion of DMA transfer by using the DMA transfer end interrupt or polling the TCn bit.

15.12 Operation Timing

Figures 15-1 to 15-4 show DMA operation timing.

Figure 15-1. Priority of DMA (1)

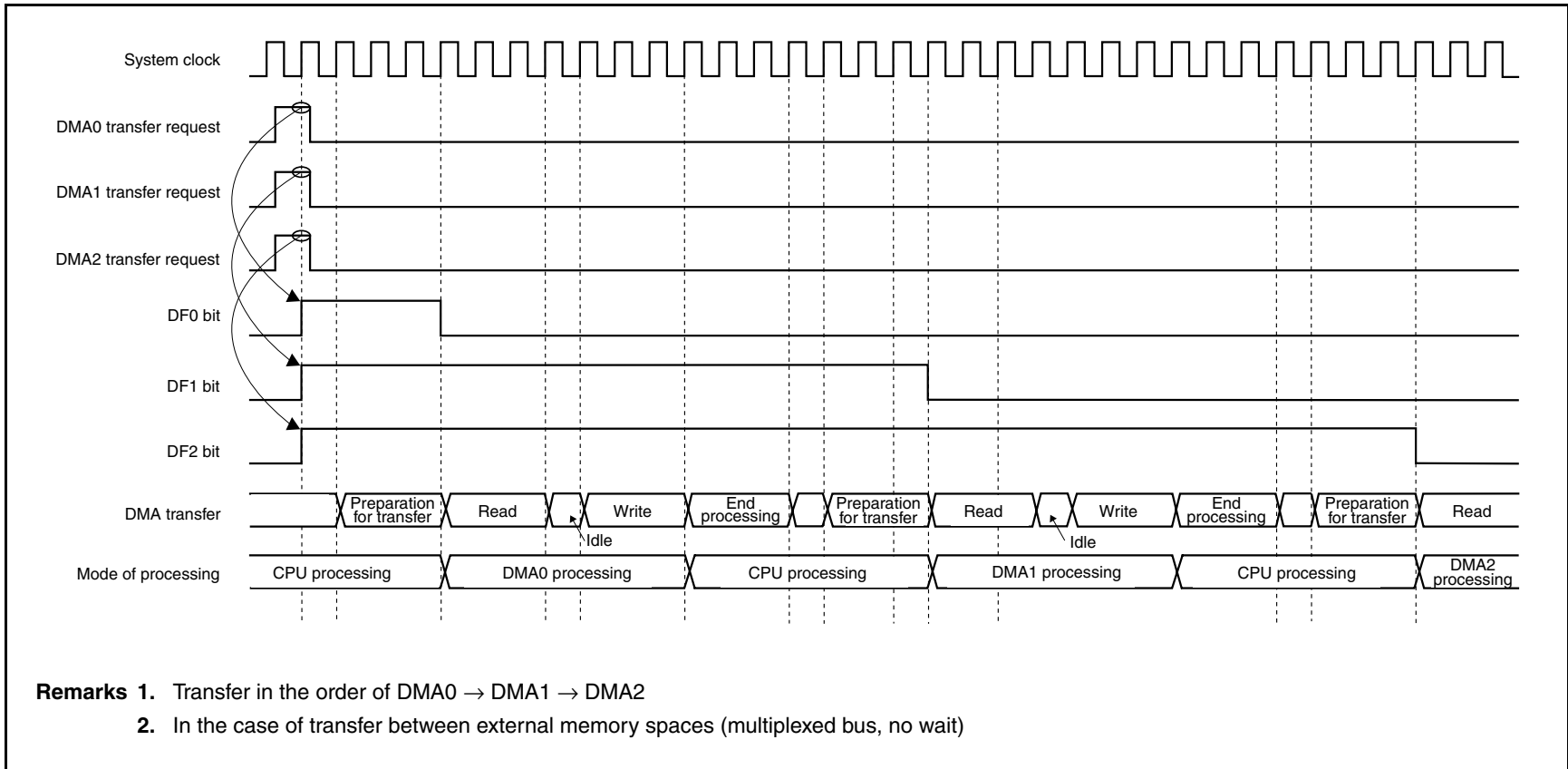
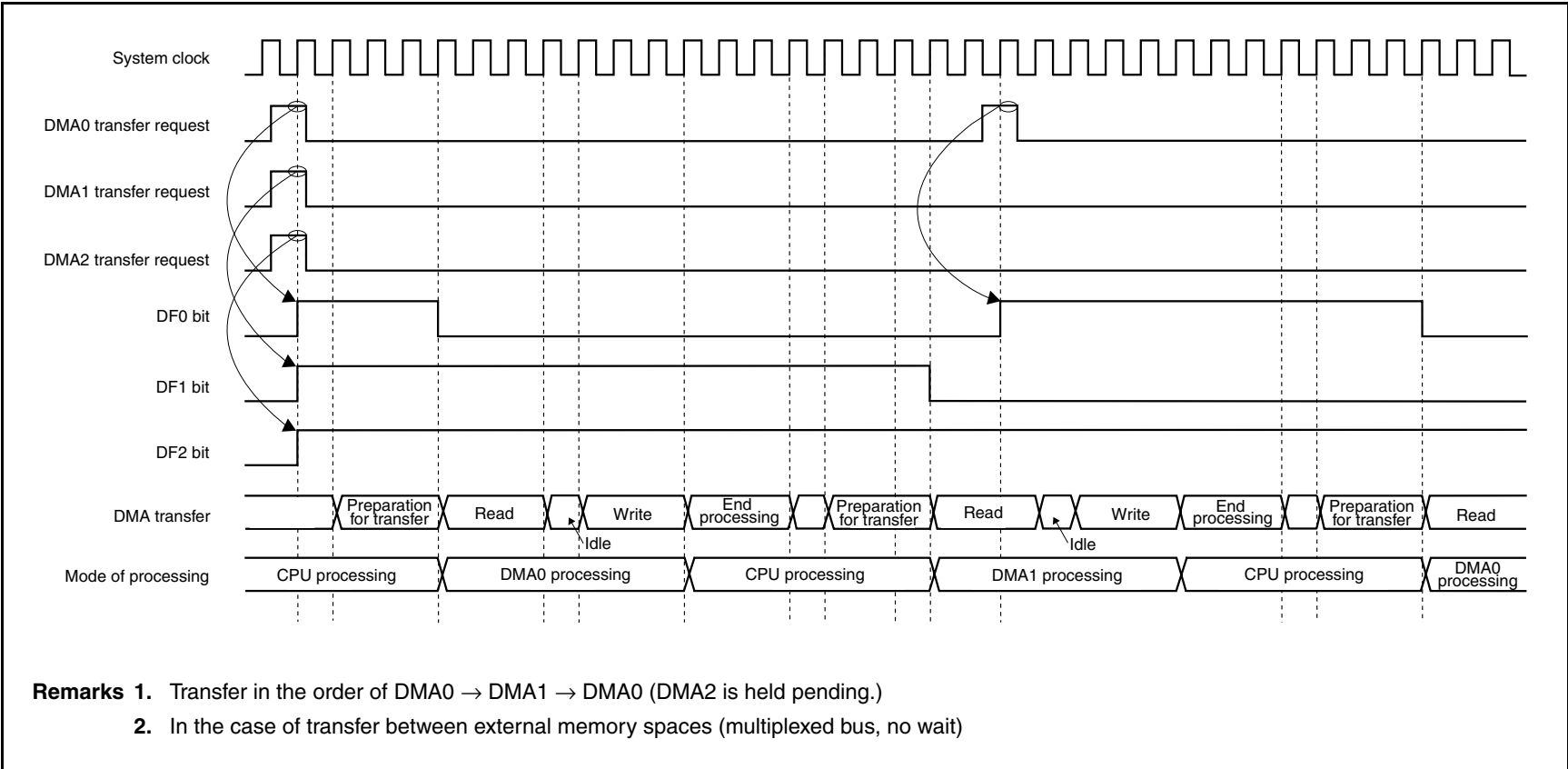


Figure 15-2. Priority of DMA (2)



- Remarks**
1. Transfer in the order of DMA0 → DMA1 → DMA0 (DMA2 is held pending.)
 2. In the case of transfer between external memory spaces (multiplexed bus, no wait)

Figure 15-3. Period in Which DMA Transfer Request Is Ignored (1)

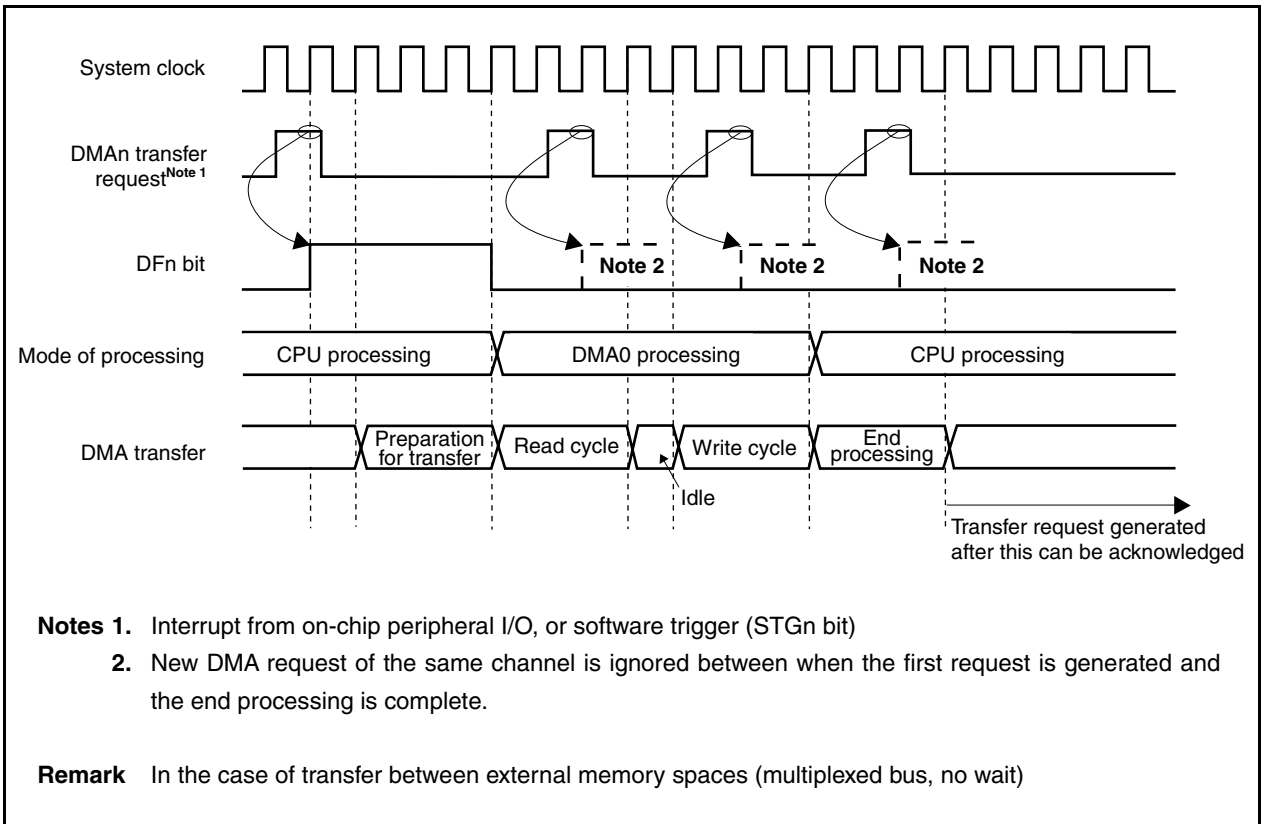
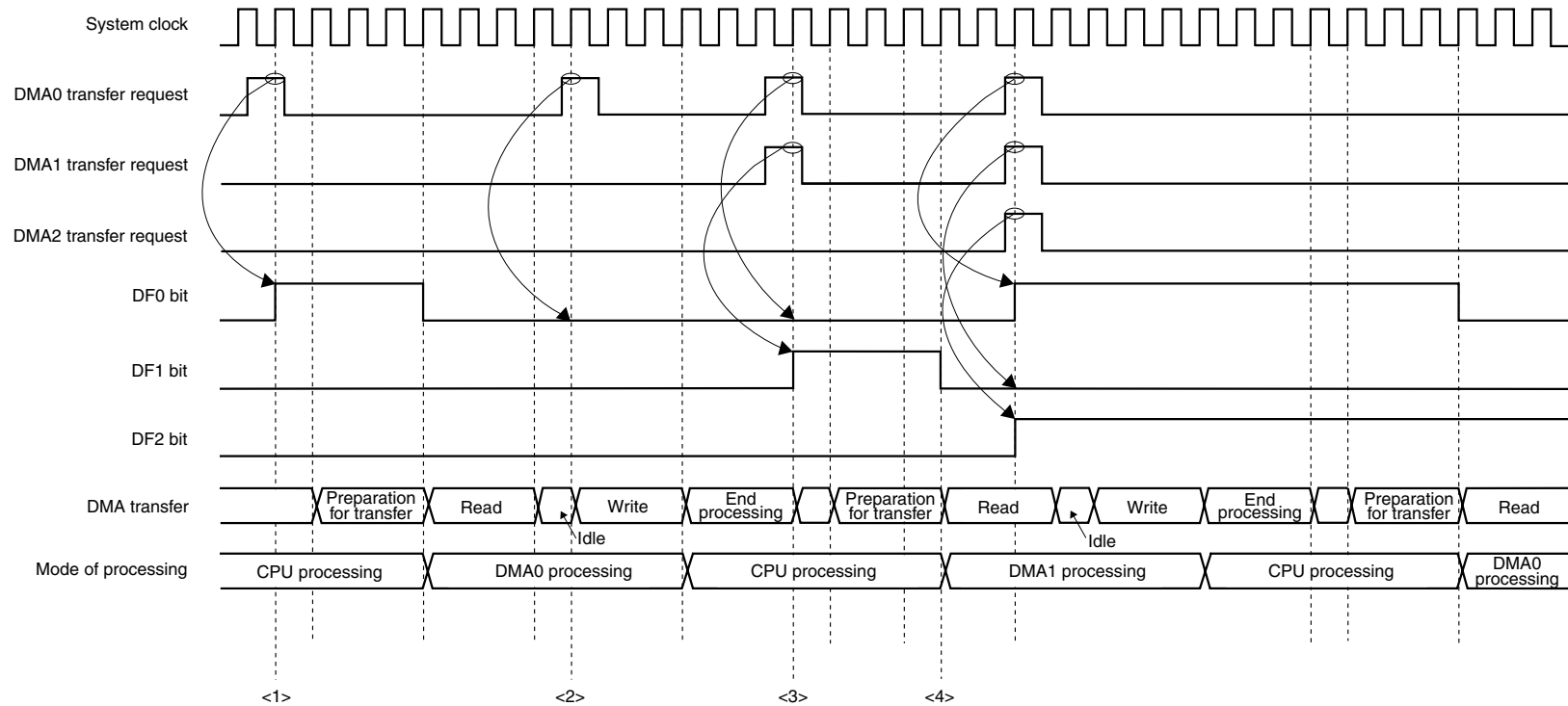


Figure 15-4. Period in Which DMA Transfer Request Is Ignored (2)



<1> DMA0 transfer request

<2> New DMA0 transfer request is generated during DMA0 transfer.

→ A DMA transfer request of the same channel is ignored during DMA transfer.

<3> Requests for DMA0 and DMA1 are generated at the same time.

→ DMA0 request is ignored (a DMA transfer request of the same channel during transfer is ignored).

→ DMA1 request is acknowledged.

<4> Requests for DMA0, DMA1, and DMA2 are generated at the same time.

→ DMA1 request is ignored (a DMA transfer request of the same channel during transfer is ignored).

→ DMA0 request is acknowledged according to priority. DMA2 request is held pending (transfer of DMA2 occurs next).

15.13 Cautions

(1) Caution for VSWC register

When using the DMAC, be sure to set an appropriate value, in accordance with the operating frequency, to the VSWC register.

When the default value (77H) of the VSWC register is used, or if an inappropriate value is set to the VSWC register, the operation is not correctly performed (for details of the VSWC register, see **3.4.8 (1) (a) System wait control register (VSWC)**).

(2) Caution for DMA transfer executed on internal RAM

When executing the following instructions located in the internal RAM, do not execute a DMA transfer that transfers data to/from the internal RAM (transfer source/destination), because the CPU may not operate correctly afterward.

- Data access instruction to misaligned address located in internal RAM

Conversely, when executing a DMA transfer to transfer data to/from the internal RAM (transfer source/destination), do not execute the above instruction.

(3) Caution for reading DCHCn.TCn bit (n = 0 to 3)

The TCn bit is cleared to 0 when it is read, but it is not automatically cleared even if it is read at a specific timing. To accurately clear the TCn bit, add the following processing.

(a) When waiting for completion of DMA transfer by polling TCn bit

Confirm that the TCn bit has been set to 1 (after TCn bit = 1 is read), and then read the TCn bit three more times.

(b) When reading TCn bit in interrupt servicing routine

Execute reading the TCn bit three times.

(4) DMA transfer initialization procedure (setting DHCn.INITn bit to 1)

Even if the INITn bit is set to 1 when the channel executing DMA transfer is to be initialized, the channel may not be initialized. To accurately initialize the channel, execute either of the following two procedures.

(a) Temporarily stop transfer of all DMA channels

Initialize the channel executing DMA transfer using the procedure in <1> to <7> below.

Note, however, that TCn bit is cleared to 0 when step <5> is executed. Make sure that the other processing programs do not expect that the TCn bit is 1.

- <1> Disable interrupts (DI).
- <2> Read the DHCn.Enn bit of DMA channels other than the one to be forcibly terminated, and transfer the value to a general-purpose register.
- <3> Clear the Enn bit of the DMA channels used (including the channel to be forcibly terminated) to 0. To clear the Enn bit of the last DMA channel, execute the clear instruction twice. If the target of DMA transfer (transfer source/destination) is the internal RAM, execute the instruction three times.

Example: Execute instructions in the following order if channels 0, 1, and 2 are used (if the target of transfer is not the internal RAM).

- Clear DHC0.E00 bit to 0.
- Clear DHC1.E11 bit to 0.
- Clear DHC2.E22 bit to 0.
- Clear DHC2.E22 bit to 0 again.

- <4> Set the INITn bit of the channel to be forcibly terminated to 1.
- <5> Read the TCn bit of each channel not to be forcibly terminated. If both the TCn bit and the Enn bit read in <2> are 1 (logical product (AND) is 1), clear the saved Enn bit to 0.
- <6> After the operation in <5>, write the Enn bit value to the DHCn register.
- <7> Enable interrupts (EI).

Caution Be sure to execute step <5> above to prevent illegal setting of the Enn bit of the channels whose DMA transfer has been normally completed between <2> and <3>.

(b) Repeatedly execute setting INITn bit until transfer is forcibly terminated correctly

- <1> Suppress a request from the DMA request source of the channel to be forcibly terminated (stop operation of the on-chip peripheral I/O).
- <2> Check that the DMA transfer request of the channel to be forcibly terminated is not held pending, by using the DTFRn.DFn bit. If a DMA transfer request is held pending, wait until execution of the pending request is completed.
- <3> When it has been confirmed that the DMA request of the channel to be forcibly terminated is not held pending, clear the Enn bit to 0.
- <4> Again, clear the Enn bit of the channel to be forcibly terminated.
If the target of transfer for the channel to be forcibly terminated (transfer source/destination) is the internal RAM, execute this operation once more.
- <5> Copy the initial number of transfers of the channel to be forcibly terminated to a general-purpose register.
- <6> Set the INITn bit of the channel to be forcibly terminated to 1.
- <7> Read the value of the DBCn register of the channel to be forcibly terminated, and compare it with the value copied in <5>. If the two values do not match, repeat operations <6> and <7>.

- Remarks**
1. When the value of the DBCn register is read in <7>, the initial number of transfers is read if forced termination has been correctly completed. If not, the remaining number of transfers is read.
 2. Note that method (b) may take a long time if the application frequently uses DMA transfer for a channel other than the DMA channel to be forcibly terminated.

(5) Procedure of temporarily stopping DMA transfer (clearing Enn bit)

Stop and resume the DMA transfer under execution using the following procedure.

- <1> Suppress a transfer request from the DMA request source (stop the operation of the on-chip peripheral I/O).
- <2> Check the DMA transfer request is not held pending, by using the DFn bit (check if the DFn bit = 0).
If a request is pending, wait until execution of the pending DMA transfer request is completed.
- <3> If it has been confirmed that no DMA transfer request is held pending, clear the Enn bit to 0 (this operation stops DMA transfer).
- <4> Set the Enn bit to 1 to resume DMA transfer.
- <5> Resume the operation of the DMA request source that has been stopped (start the operation of the on-chip peripheral I/O).

(6) Memory boundary

The operation is not guaranteed if the address of the transfer source or destination exceeds the area of the DMA target (external memory, internal RAM, or on-chip peripheral I/O) during DMA transfer.

(7) Transferring misaligned data

DMA transfer of misaligned data with a 16-bit bus width is not supported.

If an odd address is specified as the transfer source or destination, the least significant bit of the address is forcibly assumed to be 0.

(8) Bus arbitration for CPU

Because the DMA controller has a higher priority bus mastership than the CPU, a CPU access that takes place during DMA transfer is held pending until the DMA transfer cycle is completed and the bus is released to the CPU.

However, the CPU can access the external memory, on-chip peripheral I/O, and internal RAM to/from which DMA transfer is not being executed.

- The CPU can access the internal RAM when DMA transfer is being executed between the external memory and on-chip peripheral I/O.
- The CPU can access the internal RAM and on-chip peripheral I/O when DMA transfer is being executed between the external memory and external memory.

(9) Registers/bits that must not be rewritten during DMA operation

Set the following registers at the following timing when a DMA operation is not under execution.

[Registers]

- DSAnH, DSAnL, DDAnH, DDAnL, DBCn, and DADCn registers
- DTFRn.IFCn5 to DTFRn.IFCn0 bits

[Timing of setting]

- Period from after reset to start of the first DMA transfer
- Time after channel initialization to start of DMA transfer
- Period from after completion of DMA transfer (TCn bit = 1) to start of the next DMA transfer

(10) Be sure to set the following register bits to 0.

- Bits 14 to 10 of DSAnH register
- Bits 14 to 10 of DDAnH register
- Bits 15, 13 to 8, and 3 to 0 of DADCn register
- Bits 6 to 3 of DCHCn register

(11) DMA start factor

<R> Do not start two or more DMA channels with the same start factor. If two or more channels are started with the same factor, DMA for which a channel has already been set may be started or a DMA channel with a lower priority may be acknowledged earlier than a DMA channel with a higher priority. The operation cannot be guaranteed.

(12) Read values of DSAn and DDAn registers

Values in the middle of updating may be read from the DSAn and DDAn registers during DMA transfer (n = 0 to 3).

For example, if the DSAnH register and then the DSAnL register are read when the DMA transfer source address (DSAn register) is 0000FFFFH and the count direction is incremental (DADCn.SAD1 and DADCn.SAD0 bits = 00), the value of the DSAn register differs as follows, depending on whether DMA transfer is executed immediately after the DSAnH register is read.

(a) If DMA transfer does not occur while DSAn register is read

- <1> Read value of DSAnH register: DSAnH = 0000H
- <2> Read value of DSAnL register: DSAnL = FFFFH

(b) If DMA transfer occurs while DSAn register is read

- <1> Read value of DSAnH register: DSAnH = 0000H
- <2> Occurrence of DMA transfer
- <3> Incrementing DSAn register: DSAn = 00100000H
- <4> Read value of DSAnL register: DSAnL = 0000H

CHAPTER 16 INTERRUPT/EXCEPTION PROCESSING FUNCTION

The V850ES/HJ2 is provided with a dedicated interrupt controller (INTC) for interrupt servicing and can process a total of 66/68 interrupt requests.

An interrupt is an event that occurs independently of program execution, and an exception is an event whose occurrence is dependent on program execution.

The V850ES/HJ2 can process interrupt request signals from the on-chip peripheral hardware and external sources. Moreover, exception processing can be started by the TRAP instruction (software exception) or by generation of an exception event (i.e. fetching of an illegal opcode) (exception trap).

16.1 Features

- Interrupts
 - Non-maskable interrupts: 2 sources
 - Maskable interrupts: External: 15, Internal: 49/51 sources (see **Table 1-1**)
 - 8 levels of programmable priorities (maskable interrupts)
 - Multiple interrupt control according to priority
 - Masks can be specified for each maskable interrupt request.
 - Noise elimination, edge detection, and valid edge specification for external interrupt request signals.
- Exceptions
 - Software exceptions: 32 sources
 - Exception trap: 2 sources (illegal opcode exception, debug trap)

Interrupt/exception sources are listed in Table 16-1.

Table 16-1. Interrupt Source List (1/3)

Type	Classification	Default Priority	Name	Trigger	Generating Unit	Exception Code	Handler Address	Restored PC	Interrupt Control Register
Reset	Interrupt	–	RESET	RESET pin input Reset input by internal source	RESET	0000H	00000000H	Undefined	–
Non-maskable	Interrupt	–	NMI	NMI pin valid edge input	Pin	0010H	00000010H	nextPC	–
		–	INTWDT2	WDT2 overflow	WDT2	0020H	00000020H	Note 1	–
Software exception	Exception	–	TRAP0n ^{Note 2}	TRAP instruction	–	004nH ^{Note 2}	00000040H	nextPC	–
		–	TRAP1n ^{Note 2}	TRAP instruction	–	005nH ^{Note 2}	00000050H	nextPC	–
Exception trap	Exception	–	ILGOP/ DBG0	Illegal opcode/ DBTRAP instruction	–	0060H	00000060H	nextPC	–
Maskable	Interrupt	0	INTLVI	Low voltage detection	POCLVI	0080H	00000080H	nextPC	LVIIC
		1	INTP0	External interrupt pin input edge detection (INTP0)	Pin	0090H	00000090H	nextPC	PIC0
		2	INTP1	External interrupt pin input edge detection (INTP1)	Pin	00A0H	000000A0H	nextPC	PIC1
		3	INTP2	External interrupt pin input edge detection (INTP2)	Pin	00B0H	000000B0H	nextPC	PIC2
		4	INTP3	External interrupt pin input edge detection (INTP3)	Pin	00C0H	000000C0H	nextPC	PIC3
		5	INTP4	External interrupt pin input edge detection (INTP4)	Pin	00D0H	000000D0H	nextPC	PIC4
		6	INTP5	External interrupt pin input edge detection (INTP5)	Pin	00E0H	000000E0H	nextPC	PIC5
		7	INTP6	External interrupt pin input edge detection (INTP6)	Pin	00F0H	000000F0H	nextPC	PIC6
		8	INTP7	External interrupt pin input edge detection (INTP7)	Pin	0100H	00000100H	nextPC	PIC7
		9	INTTQ0OV	TMQ0 overflow	TMQ0	0110H	00000110H	nextPC	TQ0OVIC
		10	INTTQ0CC0	TMQ0 capture 0/compare 0 match	TMQ0	0120H	00000120H	nextPC	TQ0CCIC0
		11	INTTQ0CC1	TMQ0 capture 1/compare 1 match	TMQ0	0130H	00000130H	nextPC	TQ0CCIC1
		12	INTTQ0CC2	TMQ0 capture 2/compare 2 match	TMQ0	0140H	00000140H	nextPC	TQ0CCIC2
		13	INTTQ0CC3	TMQ0 capture 3/compare 3 match	TMQ0	0150H	00000150H	nextPC	TQ0CCIC3
		14	INTTP0OV	TMP0 overflow	TMP0	0160H	00000160H	nextPC	TP0OVIC
		15	INTTP0CC0	TMP0 capture 0/compare 0 match	TMP0	0170H	00000170H	nextPC	TP0CCIC0
		16	INTTP0CC1	TMP0 capture 1/compare 1 match	TMP0	0180H	00000180H	nextPC	TP0CCIC1
		17	INTTP1OV	TMP1 overflow	TMP1	0190H	00000190H	nextPC	TP1OVIC
		18	INTTP1CC0	TMP1 capture 0/compare 0 match	TMP1	01A0H	000001AH	nextPC	TP1CCIC0
		19	INTTP1CC1	TMP1 capture 1/compare 1 match	TMP1	01B0H	000001B0H	nextPC	TP1CCIC1
		20	INTTP2OV	TMP2 overflow	TMP2	01C0H	000001C0H	nextPC	TP2OVIC
21	INTTP2CC0	TMP2 capture 0/compare 0 match	TMP2	01D0H	000001D0H	nextPC	TP2CCIC0		

Notes 1. For the restoring in the case of INTWDT2, see 16.2.2 (2) From INTWDT2 signal.

2. n = 0H to FH

Table 16-1. Interrupt Source List (2/3)

Type	Classification	Default Priority	Name	Trigger	Generating Unit	Exception Code	Handler Address	Restored PC	Interrupt Control Register
Maskable	Interrupt	22	INTTP2CC1	TMP2 capture 1/compare 1 match	TMP2	01E0H	000001E0H	nextPC	TP2CCIC1
		23	INTTP3OV	TMP3 overflow	TMP3	01F0H	000001F0H	nextPC	TP3OVIC
		24	INTTP3CC0	TMP3 capture 0/compare 0 match	TMP3	0200H	00000200H	nextPC	TP3CCIC0
		25	INTTP3CC1	TMP3 capture 1/compare 1 match	TMP3	0210H	00000210H	nextPC	TP3CCIC1
		26	INTTM0EQ0	TMM0 compare match	TMM0	0220H	00000220H	nextPC	TM0EQIC0
		27	INTCB0R	CSIB0 reception completion/error	CSIB0	0230H	00000230H	nextPC	CB0RIC
		28	INTCB0T	CSIB0 consecutive transmission write enable	CSIB0	0240H	00000240H	nextPC	CB0TIC
		29	INTCB1R	CSIB1 reception completion/error	CSIB1	0250H	00000250H	nextPC	CB1RIC
		30	INTCB1T	CSIB1 consecutive transmission write enable	CSIB1	0260H	00000260H	nextPC	CB1TIC
		31	INTUA0R	UARTA0 reception completion/error	UARTA0	0270H	00000280H	nextPC	UA0RIC
		32	INTUA0T	UARTA0 transmission enable	UARTA0	0280H	00000280H	nextPC	UA0TIC
		33	INTUA1R	UARTA1 reception completion/error	UARTA1	0290H	00000290H	nextPC	UA1RIC
		34	INTUA1T	UARTA1 transmission enable	UARTA1	02A0H	000002A0H	nextPC	UA1TIC
		35	INTAD	A/D conversion completion	A/D	02BH	000002B0H	nextPC	ADIC
		36	INTKR	Key return interrupt request	KR	0300H	00000300H	nextPC	KRIC
		37	INTWTI	Watch timer interval	WT	0310H	00000310H	nextPC	WTIIC
		38	INTWT	Watch timer reference time	WT	0320H	00000320H	nextPC	WTIC
		39	INTP8	External interrupt pin input edge detection (INTP8)	Pin	0330H	00000330H	nextPC	PIC8
		40	INTP9	External interrupt pin input edge detection (INTP9)	Pin	0340H	00000340H	nextPC	PIC9
		41	INTP10	External interrupt pin input edge detection (INTP10)	Pin	0350H	00000350H	nextPC	PIC10
		42	INTTQ1OV	TMQ1 overflow	TMQ1	0360H	00000360H	nextPC	TQ1OVIC
		43	INTTQ1CC0	TMQ1 capture 0/compare 0 match	TMQ1	0370H	00000370H	nextPC	TQ1CCIC0
		44	INTTQ1CC1	TMQ1 capture 1/compare 1 match	TMQ1	0380H	00000380H	nextPC	TQ1CCIC1
		45	INTTQ1CC2	TMQ1 capture 2/compare 2 match	TMQ1	0390H	00000390H	nextPC	TQ1CCIC2
		46	INTTQ1CC3	TMQ1 capture 3/compare 3 match	TMQ1	03A0H	000003A0H	nextPC	TQ1CCIC3
		47	INTUA2R	UARTA2 reception completion/error	UARTA2	03B0H	000003B0H	nextPC	UA2RIC
		48	INTUA2T	UARTA2 transmission enable	UARTA2	03C0H	000003C0H	nextPC	UA2TIC
		49	INTDMA0	DMA0 transfer end	DMA	0410H	00000410H	nextPC	DMAIC0
		50	INTDMA1	DMA1 transfer end	DMA	0420H	00000420H	nextPC	DMAIC1
		51	INTDMA2	DMA2 transfer end	DMA	0430H	00000430H	nextPC	DMAIC2
		52	INTDMA3	DMA3 transfer end	DMA	0440H	00000440H	nextPC	DMAIC3

Table 16-1. Interrupt Source List (3/3)

Type	Classification	Default Priority	Name	Trigger	Generating Unit	Exception Code	Handler Address	Restored PC	Interrupt Control Register
Maskable	Interrupt	53	INTP11	External interrupt pin input edge detection (INTP11)	Pin	0450H	00000450H	nextPC	PIC11
		54	INTP12	External interrupt pin input edge detection (INTP12)	Pin	0460H	00000460H	nextPC	PIC12
		55	INTP13	External interrupt pin input edge detection (INTP13)	Pin	0470H	00000470H	nextPC	PIC13
		56	INTP14	External interrupt pin input edge detection (INTP14)	Pin	0480H	00000480H	nextPC	PIC14
		57	INTTQ2OV	TMQ2 overflow	TMQ2	0490H	00000490H	nextPC	TQ2OVIC
		58	INTTQ2CC0	TMQ2 capture 0/compare 0 match	TMQ2	04A0H	000004A0H	nextPC	TQ2CCIC0
		59	INTTQ2CC1	TMQ2 capture 1/compare 1 match	TMQ2	04B0H	000004B0H	nextPC	TQ2CCIC1
		60	INTTQ2CC2	TMQ2 capture 2/compare 2 match	TMQ2	04C0H	000004C0H	nextPC	TQ2CCIC2
		61	INTTQ2CC3	TMQ2 capture 3/compare 3 match	TMQ2	04D0H	000004D0H	nextPC	TQ2CCIC3
		62	INTCB2R	CSIB2 reception completion/error	CSIB2	04E0H	000004E0H	nextPC	CB2RIC
		63	INTCB2T	CSIB2 continuous transmission write enable	CSIB2	04F0H	000004F0H	nextPC	CB2TIC
		64	INTUA3R ^{Note}	UARTA3 reception completion/error	UARTA3	0500H	00000500H	nextPC	UA3RIC
		65	INTUA3T ^{Note}	UARTA3 transmission enable	UARTA3	0510H	00000510H	nextPC	UA3TIC

Note μ PD70F3711, 70F3712 only

Remarks 1. Default priority: The priority order when two or more maskable interrupt requests occur at the same time. The highest priority is 0.

The priority order of non-maskable interrupt is INTWDT2 > NMI.

Restored PC: The value of the program counter (PC) saved to EIPC, FEPC, or DBPC when interrupt servicing is started. Note, however, that the restored PC when a non-maskable or maskable interrupt is acknowledged while one of the following instructions is being executed does not become the nextPC (if an interrupt is acknowledged during interrupt execution, execution stops, and then resumes after the interrupt servicing has finished).

- Load instructions (SLD.B, SLD.BU, SLD.H, SLD.HU, SLD.W)
- Division instructions (DIV, DIVH, DIVU, DIVHU)
- PREPARE, DISPOSE instructions (only if an interrupt is generated before the stack pointer is updated)

nextPC: The PC value that starts the processing following interrupt/exception processing.

2. The execution address of the illegal instruction when an illegal opcode exception occurs is calculated by (Restored PC – 4).

16.2 Non-Maskable Interrupts

A non-maskable interrupt request signal is acknowledged unconditionally, even when interrupts are in the interrupt disabled (DI) status. An NMI is not subject to priority control and takes precedence over all the other interrupt request signals.

This product has the following two non-maskable interrupt request signals.

- NMI pin input (NMI)
- Non-maskable interrupt request signal generated by overflow of watchdog timer (INTWDT2)

The valid edge of the NMI pin can be selected from four types: “rising edge”, “falling edge”, “both edges”, and “no edge detection”.

The function of the NMI pin is enabled by setting the PMC0.PMC02 bit to 1 and the INTF0.INTF02 bit and INTR0.INTR02 bit to a desired value, and specifying a desired valid edge.

The non-maskable interrupt request signal generated by overflow of watchdog timer 2 (INTWDT2) functions when the WDTM2.WDM21 and WDTM2.WDM20 bits are set to “01”.

If two or more non-maskable interrupt request signals occur at the same time, the interrupt with the higher priority is serviced, as follows (the interrupt request signal with the lower priority is ignored).

INTWDT2 > NMI

If a new NMI or INTWDT2 request signal is issued while an NMI is being serviced, it is serviced as follows.

(1) If new NMI request signal is issued while NMI is being serviced

The new NMI request signal is held pending, regardless of the value of the PSW.NP bit. The pending NMI request signal is acknowledged after the NMI currently under execution has been serviced (after the RETI instruction has been executed).

(2) If INTWDT2 request signal is issued while NMI is being serviced

The INTWDT2 request signal is held pending if the NP bit remains set (1) while the NMI is being serviced. The pending INTWDT2 request signal is acknowledged after the NMI currently under execution has been serviced (after the RETI instruction has been executed).

If the NP bit is cleared (0) while the NMI is being serviced, the newly generated INTWDT2 request signal is executed (the NMI servicing is stopped).

Caution For the non-maskable interrupt servicing executed by the non-maskable interrupt request signal (INTWDT2), see 16.2.2 (2) From INTWDT2 signal.

Figure 16-1. Non-Maskable Interrupt Request Signal Acknowledgment Operation (1/2)

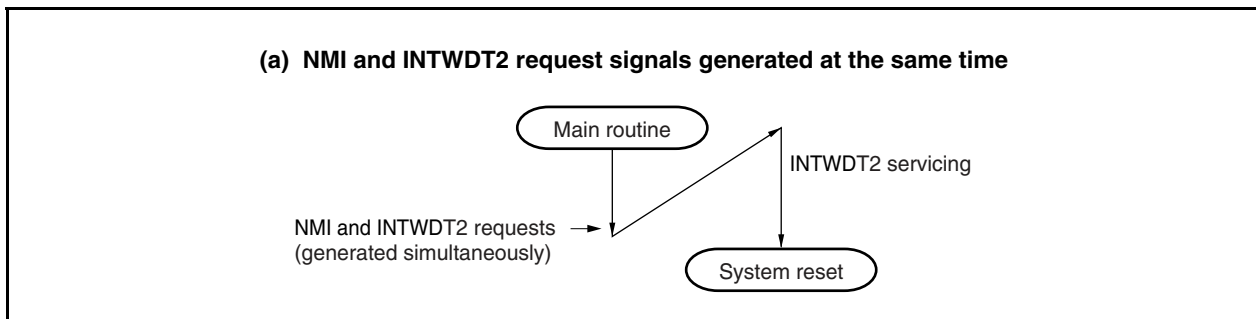
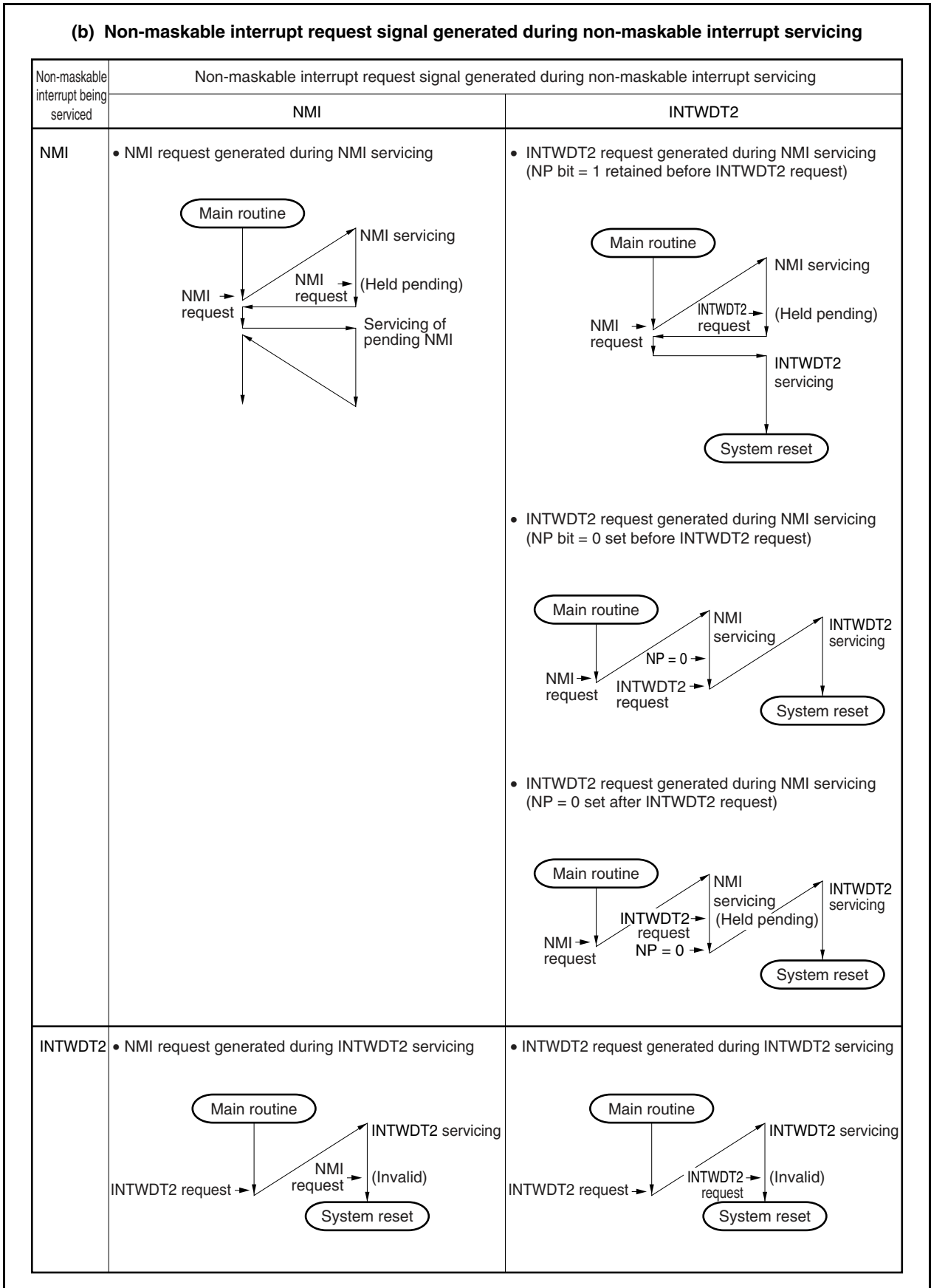


Figure 16-1. Non-Maskable Interrupt Request Signal Acknowledgment Operation (2/2)



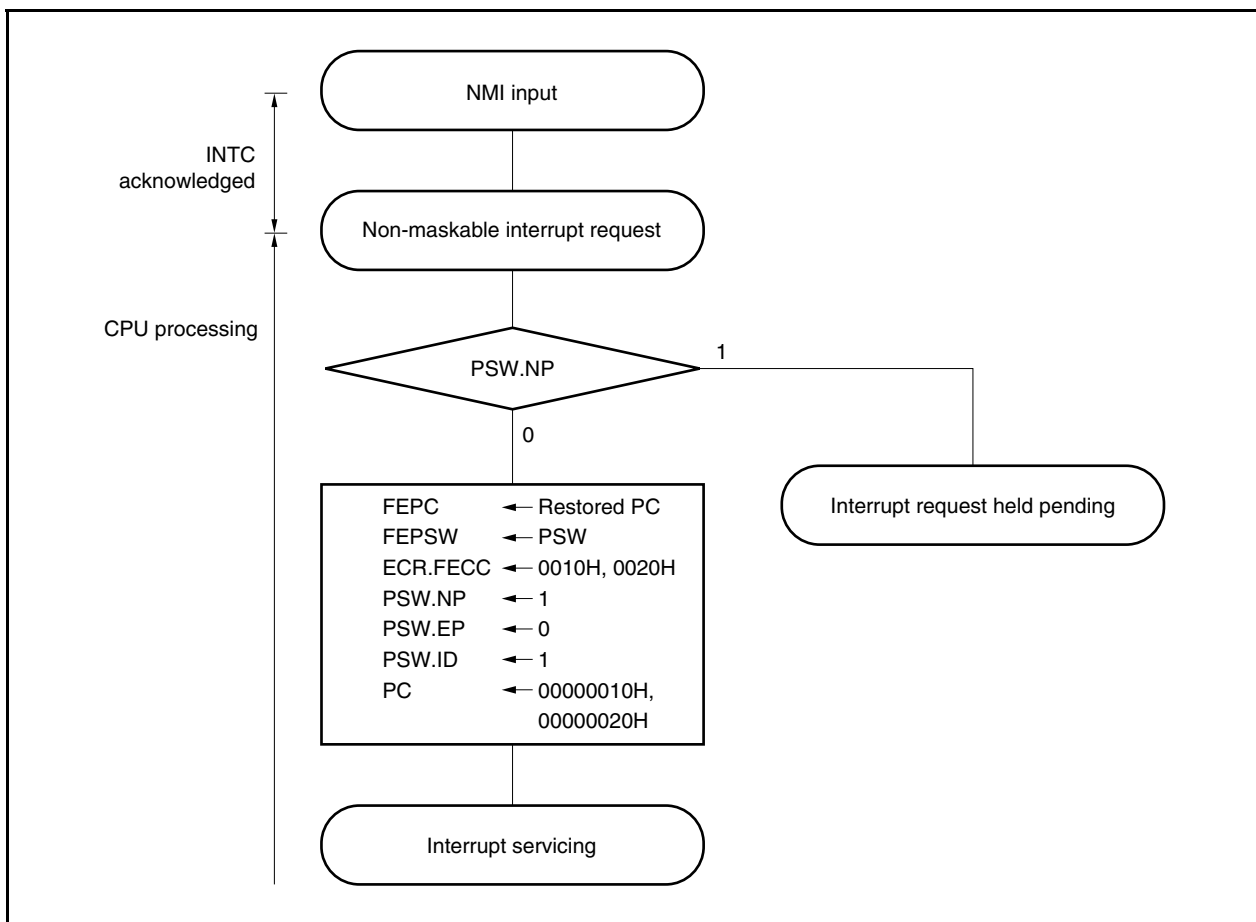
16.2.1 Operation

If a non-maskable interrupt request signal is generated, the CPU performs the following processing, and transfers control to the handler routine.

- <1> Saves the restored PC to FEPC.
- <2> Saves the current PSW to FEPSW.
- <3> Writes exception code (0010H, 0020H) to the higher halfword (FECC) of ECR.
- <4> Sets the PSW.NP and PSW.ID bits to 1 and clears the PSW.EP bit to 0.
- <5> Sets the handler address (00000010H, 00000020H) corresponding to the non-maskable interrupt to the PC, and transfers control.

The servicing configuration of a non-maskable interrupt is shown in Figure 16-2.

Figure 16-2. Servicing Configuration of Non-Maskable Interrupt



16.2.2 Restore

(1) From NMI pin input

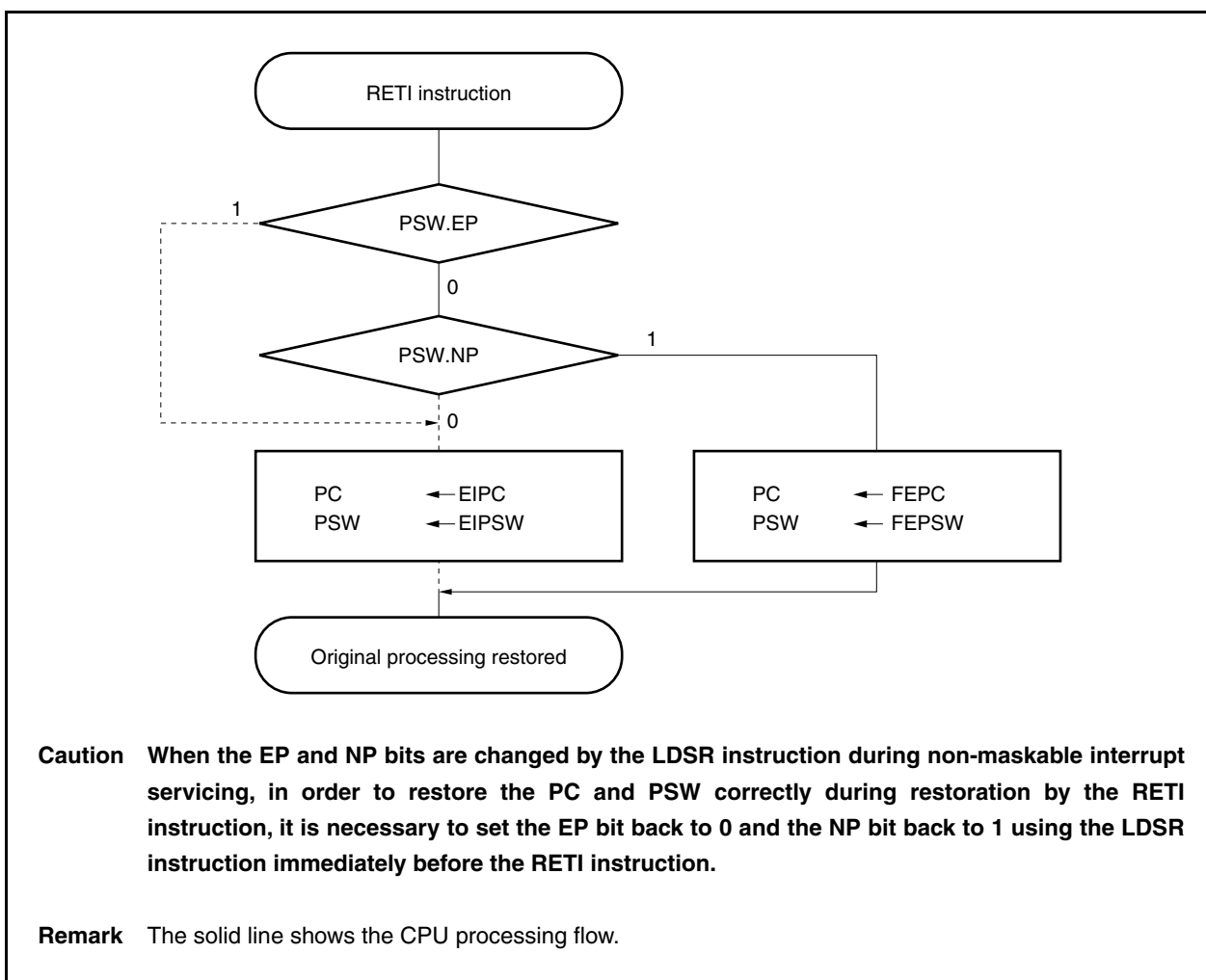
Execution is restored from the NMI servicing by the RETI instruction.

When the RETI instruction is executed, the CPU performs the following processing, and transfers control to the address of the restored PC.

- <1> Loads the restored PC and PSW from FEPC and FEPSW, respectively, because the PSW.EP bit is 0 and the PSW.NP bit is 1.
- <2> Transfers control back to the address of the restored PC and PSW.

Figure 16-3 illustrates how the RETI instruction is processed.

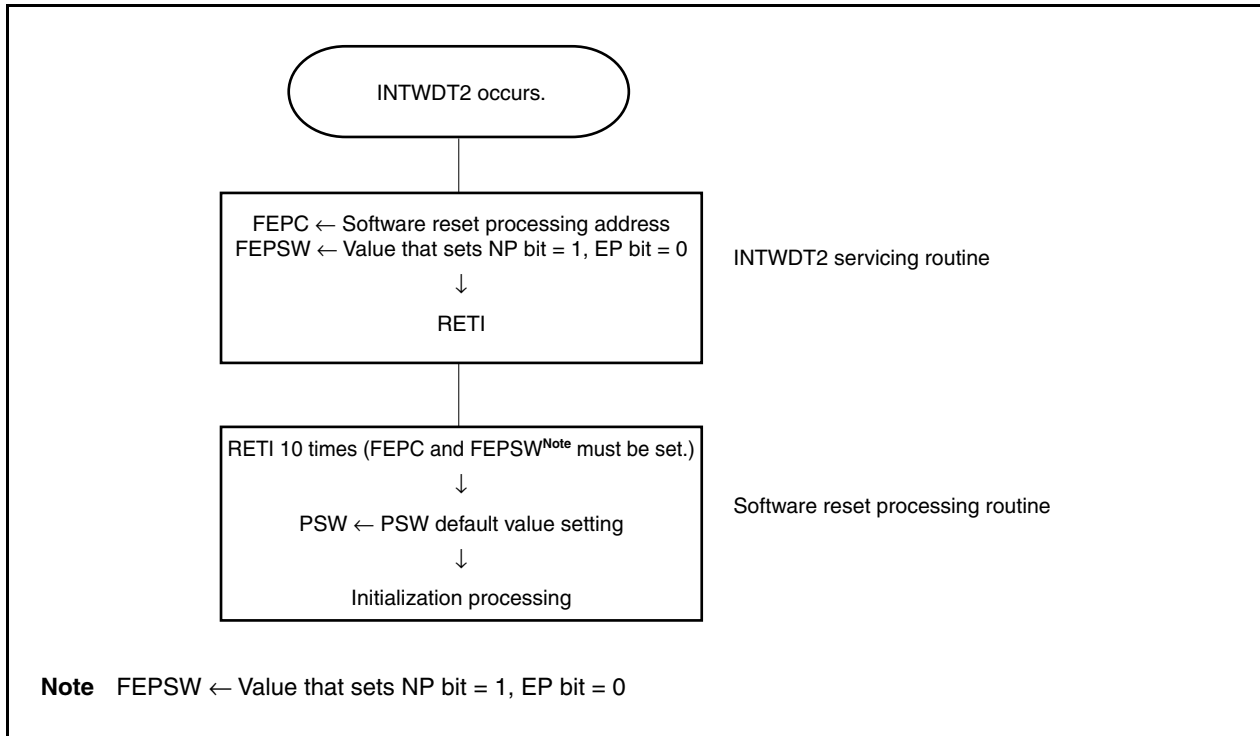
Figure 16-3. RETI Instruction Processing



(2) From INTWDT2 signal

Restoring from non-maskable interrupt servicing executed by the non-maskable interrupt request (INTWDT2) by using the RETI instruction is disabled. Execute the following software reset processing.

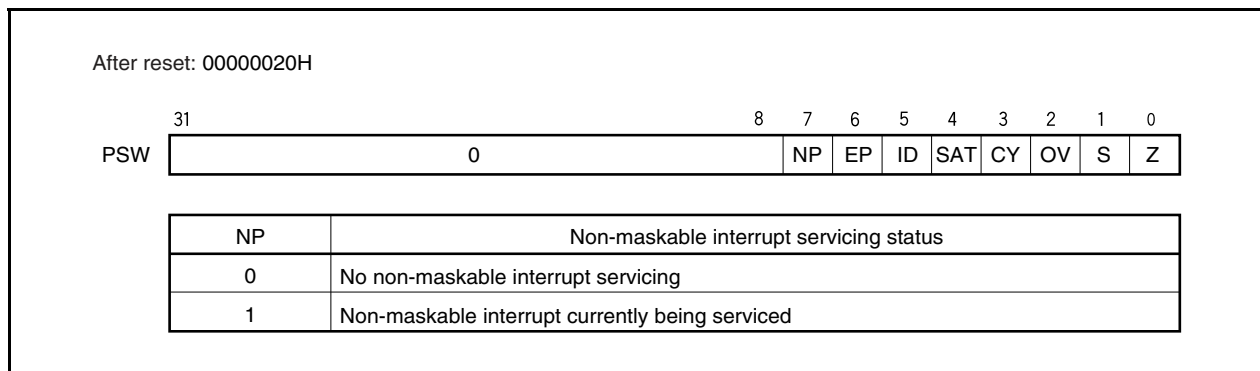
Figure 16-4. Software Reset Processing



16.2.3 NP flag

The NP flag is a status flag that indicates that non-maskable interrupt servicing is under execution.

This flag is set when a non-maskable interrupt request signal has been acknowledged, and masks non-maskable interrupt requests to prohibit multiple interrupts from being acknowledged.



16.3 Maskable Interrupts

Maskable interrupt request signals can be masked by interrupt control registers. The V850ES/HJ2 has 64/66 maskable interrupt sources.

If two or more maskable interrupt request signals are generated at the same time, they are acknowledged according to the default priority. In addition to the default priority, eight levels of priorities can be specified by using the interrupt control registers (programmable priority control).

When an interrupt request signal has been acknowledged, the acknowledgment of other maskable interrupt request signals is disabled and the interrupt disabled (DI) status is set.

When the EI instruction is executed in an interrupt service routine, the interrupt enabled (EI) status is set, which enables servicing of interrupts having a higher priority than the interrupt request signal in progress (specified by the interrupt control register). Note that only interrupts with a higher priority will have this capability; interrupts with the same priority level cannot be nested.

To enable multiple interrupts, however, save EIPC and EIPSW to memory or general-purpose registers before executing the EI instruction, and execute the DI instruction before the RETI instruction to restore the original values of EIPC and EIPSW.

16.3.1 Operation

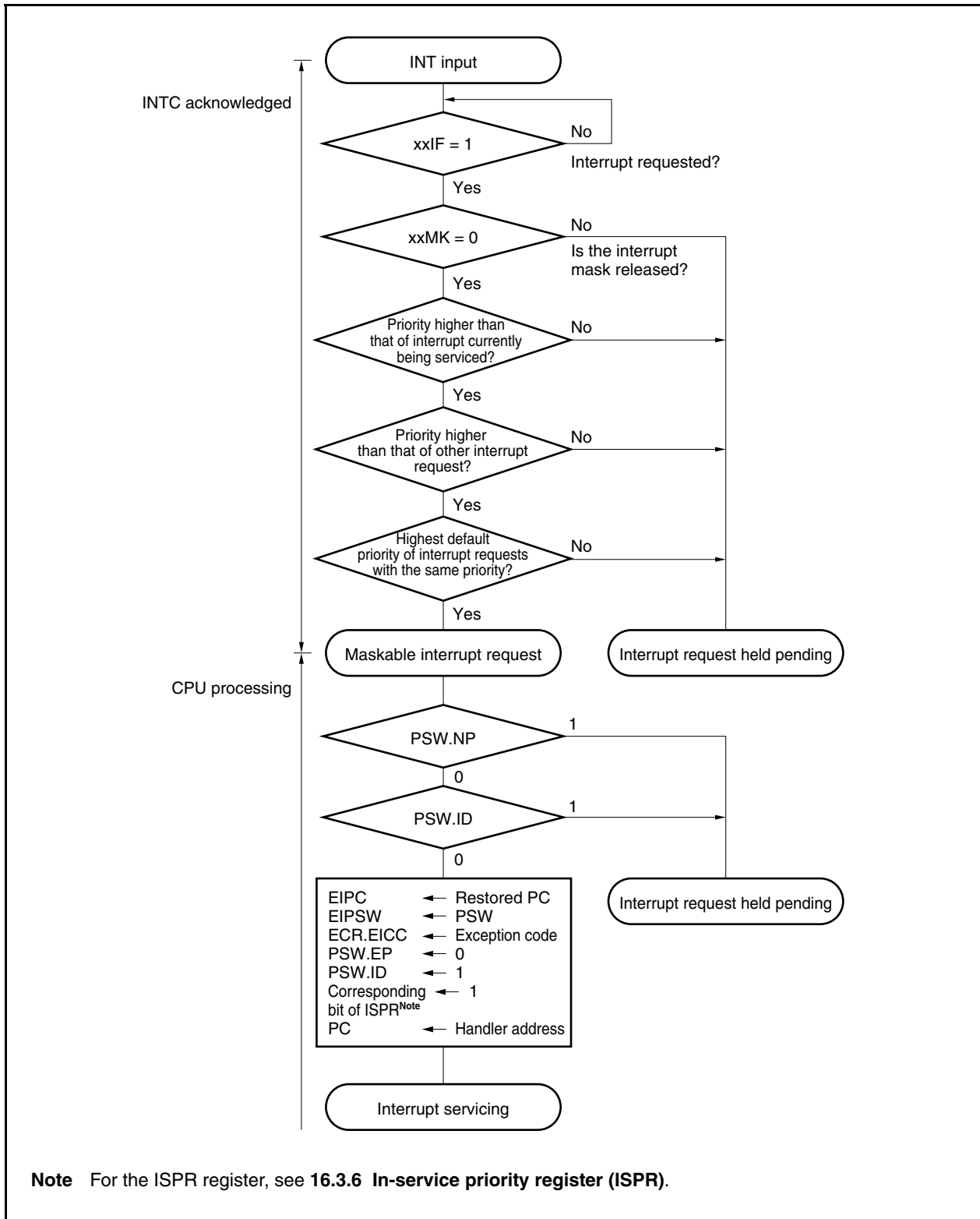
If a maskable interrupt occurs, the CPU performs the following processing, and transfers control to a handler routine.

- <1> Saves the restored PC to EIPC.
- <2> Saves the current PSW to EIPSW.
- <3> Writes an exception code to the lower halfword of ECR (EICC).
- <4> Sets the PSW.ID bit to 1 and clears the PSW.EP bit to 0.
- <5> Sets the handler address corresponding to each interrupt to the PC, and transfers control.

The maskable interrupt request signal masked by INTC and the maskable interrupt request signal generated while another interrupt is being serviced (while the PSW.NP bit = 1 or the PSW.ID bit = 1) are held pending inside INTC. In this case, servicing a new maskable interrupt is started in accordance with the priority of the pending maskable interrupt request signal if either the maskable interrupt is unmasked or the NP and ID bits are cleared to 0 by using the RETI or LDSR instruction.

How maskable interrupts are serviced is illustrated below.

Figure 16-5. Maskable Interrupt Servicing



16.3.2 Restore

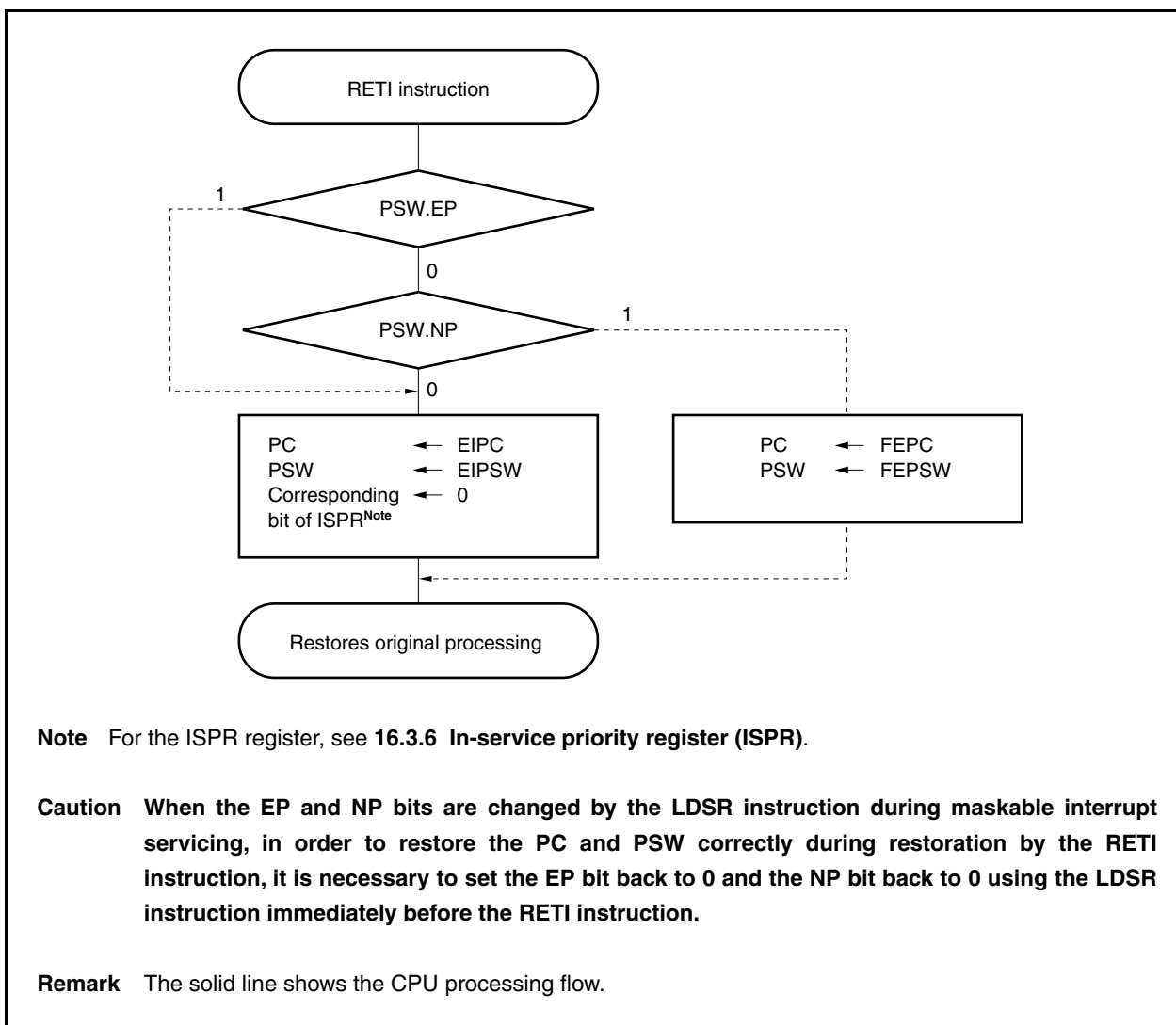
Restoration from maskable interrupt servicing is carried out by the RETI instruction.

When the RETI instruction is executed, the CPU performs the following steps, and transfers control to the address of the restored PC.

- <1> Loads the restored PC and PSW from EIPC and EIPSW because the PSW.EP bit is 0 and the PSW.NP bit is 0.
- <2> Transfers control to the address of the restored PC and PSW.

Figure 16-6 illustrates the processing of the RETI instruction.

Figure 16-6. RETI Instruction Processing



16.3.3 Priorities of maskable interrupts

The INTC performs multiple interrupt servicing in which an interrupt is acknowledged while another interrupt is being serviced. Multiple interrupts can be controlled by priority levels.

There are two types of priority level control: control based on the default priority levels, and control based on the programmable priority levels that are specified by the interrupt priority level specification bit (xxPRn) of the interrupt control register (xxICn). When two or more interrupts having the same priority level specified by the xxPRn bit are generated at the same time, interrupt request signals are serviced in order depending on the priority level allocated to each interrupt request type (default priority level) beforehand. For more information, see **Table 16-1 Interrupt/Exception Source List**. The programmable priority control customizes interrupt request signals into eight levels by setting the priority level specification flag.

Note that when an interrupt request signal is acknowledged, the PSW.ID flag is automatically set to 1. Therefore, when multiple interrupts are to be used, clear the ID flag to 0 beforehand (for example, by placing the EI instruction in the interrupt service program) to set the interrupt enable mode.

Remark xx: Identification name of each peripheral unit (see **Table 16-2 Interrupt Control Register (xxICn)**)
n: Peripheral unit number (see **Table 16-2 Interrupt Control Register (xxICn)**).

Figure 16-7. Example of Processing in Which Another Interrupt Request Signal Is Issued While an Interrupt Is Being Serviced (1/2)

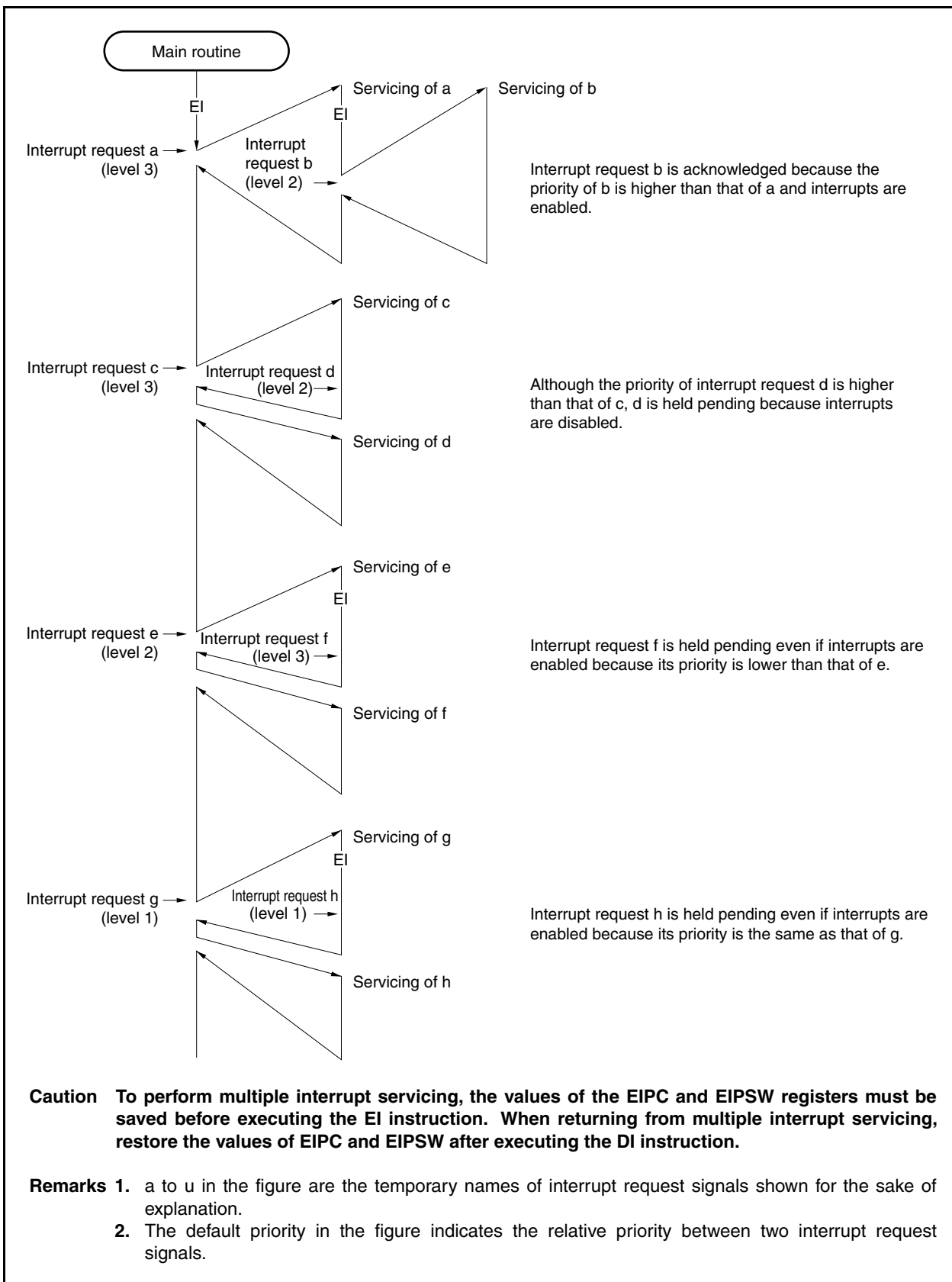


Figure 16-7. Example of Processing in Which Another Interrupt Request Signal Is Issued While an Interrupt Is Being Serviced (2/2)

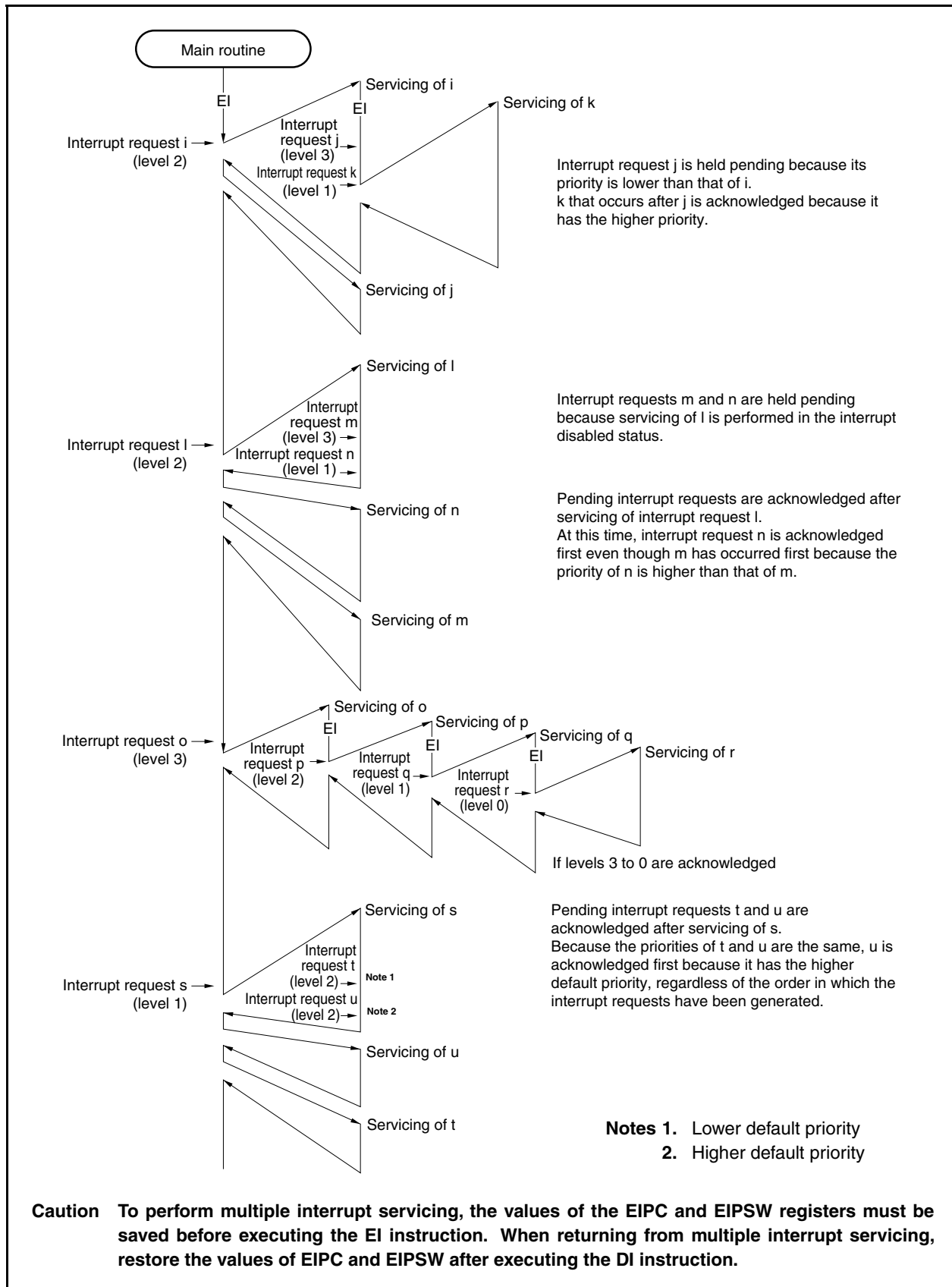
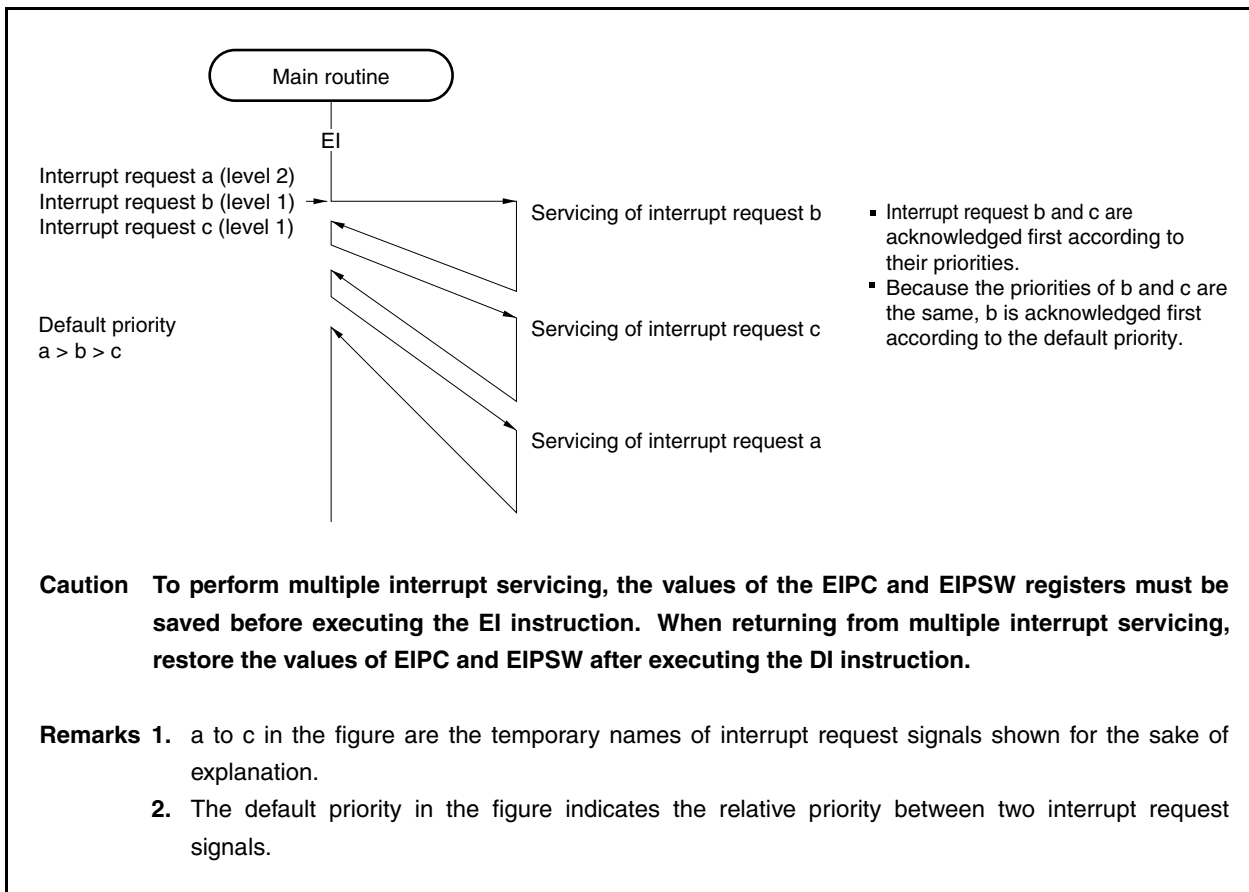


Figure 16-8. Example of Servicing Interrupt Request Signals Simultaneously Generated



16.3.4 Interrupt control register (xxICn)

The xxICn register is assigned to each interrupt request signal (maskable interrupt) and sets the control conditions for each maskable interrupt request.

This register can be read or written in 8-bit or 1-bit units.

Reset sets this register to 47H.

Caution Disable interrupts (DI) or mask the interrupt to read the xxICn.xxIFn bit. If the xxIFn bit is read while interrupts are enabled (EI) or while the interrupt is unmasked, the correct value may not be read when acknowledging an interrupt and reading the bit conflict.

After reset: 47H R/W Address: FFFFF110H to FFFFF1A2H

	7	6	5	4	3	2	1	0
xxICn	xxIFn	xxMKn	0	0	0	xxPRn2	xxPRn1	xxPRn0

xxIFn	Interrupt request flag ^{Note}
0	Interrupt request not issued
1	Interrupt request issued

xxMKn	Interrupt mask flag
0	Interrupt servicing enabled
1	Interrupt servicing disabled (pending)

xxPRn2	xxPRn1	xxPRn0	Interrupt priority specification bit
0	0	0	Specifies level 0 (highest).
0	0	1	Specifies level 1.
0	1	0	Specifies level 2.
0	1	1	Specifies level 3.
1	0	0	Specifies level 4.
1	0	1	Specifies level 5.
1	1	0	Specifies level 6.
1	1	1	Specifies level 7 (lowest).

Note The flag xxIFn is reset automatically by the hardware if an interrupt request signal is acknowledged.

Remark xx: Identification name of each peripheral unit (see **Table 16-2 Interrupt Control Registers (xxICn)**)
n: Peripheral unit number (see **Table 16-2 Interrupt Control Registers (xxICn)**).

The addresses and bits of the interrupt control registers are as follows.

Table 16-2. Interrupt Control Registers (xxICn) (1/2)

Address	Register	Bit							
		7	6	5	4	3	2	1	0
FFFFF110H	LVIIIC	LVIIIF	LVIMK	0	0	0	LVIPR2	LVIPR1	LVIPR0
FFFFF112H	PIC0	PIF0	PMK0	0	0	0	PPR02	PPR01	PPR00
FFFFF114H	PIC1	PIF1	PMK1	0	0	0	PPR12	PPR11	PPR10
FFFFF116H	PIC2	PIF2	PMK2	0	0	0	PPR22	PPR21	PPR20
FFFFF118H	PIC3	PIF3	PMK3	0	0	0	PPR32	PPR31	PPR30
FFFFF11AH	PIC4	PIF4	PMK4	0	0	0	PPR42	PPR41	PPR40
FFFFF11CH	PIC5	PIF5	PMK5	0	0	0	PPR52	PPR51	PPR50
FFFFF11EH	PIC6	PIF6	PMK6	0	0	0	PPR62	PPR61	PPR60
FFFFF120H	PIC7	PIF7	PMK7	0	0	0	PPR72	PPR71	PPR70
FFFFF122H	TQ0OVIC	TQ0OVIF	TQ0OVMK	0	0	0	TQ0OVPR2	TQ0OVPR1	TQ0OVPR0
FFFFF124H	TQ0CCIC0	TQ0CCIF0	TQ0CCMK0	0	0	0	TQ0CCPR02	TQ0CCPR01	TQ0CCPR00
FFFFF126H	TQ0CCIC1	TQ0CCIF1	TQ0CCMK1	0	0	0	TQ0CCPR12	TQ0CCPR11	TQ0CCPR10
FFFFF128H	TQ0CCIC2	TQ0CCIF2	TQ0CCMK2	0	0	0	TQ0CCPR22	TQ0CCPR21	TQ0CCPR20
FFFFF12AH	TQ0CCIC3	TQ0CCIF3	TQ0CCMK3	0	0	0	TQ0CCPR32	TQ0CCPR31	TQ0CCPR30
FFFFF12CH	TP0OVIC	TP0OVIF	TP0OVMK	0	0	0	TP0OVPR2	TP0OVPR1	TP0OVPR0
FFFFF12EH	TP0CCIC0	TP0CCIF0	TP0CCMK0	0	0	0	TP0CCPR02	TP0CCPR01	TP0CCPR00
FFFFF130H	TP0CCIC1	TP0CCIF1	TP0CCMK1	0	0	0	TP0CCPR12	TP0CCPR11	TP0CCPR10
FFFFF132H	TP1OVIC	TP1OVIF	TP1OVMK	0	0	0	TP1OVPR2	TP1OVPR1	TP1OVPR0
FFFFF134H	TP1CCIC0	TP1CCIF0	TP1CCMK0	0	0	0	TP1CCPR02	TP1CCPR01	TP1CCPR00
FFFFF136H	TP1CCIC1	TP1CCIF1	TP1CCMK1	0	0	0	TP1CCPR12	TP1CCPR11	TP1CCPR10
FFFFF138H	TP2OVIC	TP2OVIF	TP2OVMK	0	0	0	TP2OVPR2	TP2OVPR1	TP2OVPR0
FFFFF13AH	TP2CCIC0	TP2CCIF0	TP2CCMK0	0	0	0	TP2CCPR02	TP2CCPR01	TP2CCPR00
FFFFF13CH	TP2CCIC1	TP2CCIF1	TP2CCMK1	0	0	0	TP2CCPR12	TP2CCPR11	TP2CCPR10
FFFFF13EH	TP3OVIC	TP3OVIF	TP3OVMK	0	0	0	TP3OVPR2	TP3OVPR1	TP3OVPR0
FFFFF140H	TP3CCIC0	TP3CCIF0	TP3CCMK0	0	0	0	TP3CCPR02	TP3CCPR01	TP3CCPR00
FFFFF142H	TP3CCIC1	TP3CCIF1	TP3CCMK1	0	0	0	TP3CCPR12	TP3CCPR11	TP3CCPR10
FFFFF144H	TM0EQIC0	TM0EQIF0	TM0EQMK0	0	0	0	TM0EQPR02	TM0EQPR01	TM0EQPR00
FFFFF146H	CB0RIC	CB0RIF	CB0RMK	0	0	0	CB0RPR2	CB0RPR1	CB0RPR0
FFFFF148H	CB0TIC	CB0TIF	CB0TMK	0	0	0	CB0TPR2	CB0TPR1	CB0TPR0
FFFFF14AH	CB1RIC	CB1RIF	CB1RMK	0	0	0	CB1RPR2	CB1RPR1	CB1RPR0
FFFFF14CH	CB1TIC	CB1TIF	CB1TMK	0	0	0	CB1TPR2	CB1TPR1	CB1TPR0
FFFFF14EH	UA0RIC	UA0RIF	UA0RMK	0	0	0	UA0RPR2	UA0RPR1	UA0RPR0
FFFFF150H	UA0TIC	UA0TIF	UA0TMK	0	0	0	UA0TPR2	UA0TPR1	UA0TPR0
FFFFF152H	UA1RIC	UA1RIF	UA1RMK	0	0	0	UA1RPR2	UA1RPR1	UA1RPR0
FFFFF154H	UA1TIC	UA1TIF	UA1TMK	0	0	0	UA1TPR2	UA1TPR1	UA1TPR0
FFFFF156H	ADIC	ADIF	ADMK	0	0	0	ADPR2	ADPR1	ADPR0
FFFFF160H	KRIC	KRIF	KRMK	0	0	0	KRPR2	KRPR1	KRPR0
FFFFF162H	WTIIC	WTIIF	WTIMK	0	0	0	WTIPR2	WTIPR1	WTIPR0
FFFFF164H	WTIC	WTIF	WTMK	0	0	0	WTPR2	WTPR1	WTPR0
FFFFF166H	PIC8	PIF8	PMK8	0	0	0	PPR82	PPR81	PPR80
FFFFF168H	PIC9	PIF9	PMK9	0	0	0	PPR92	PPR91	PPR90
FFFFF16AH	PIC10	PIF10	PMK10	0	0	0	PPR102	PPR101	PPR100

Table 16-2. Interrupt Control Registers (xxICn) (2/2)

Address	Register	Bit							
		7	6	5	4	3	2	1	0
FFFFF16CH	TQ1OVIC	TQ1OVIF	TQ1OVMK	0	0	0	TQ1OVPR2	TQ1OVPR1	TQ1OVPR0
FFFFF16EH	TQ1CCIC0	TQ1CCIF0	TQ1CCMK0	0	0	0	TQ1CCPR02	TQ1CCPR01	TQ1CCPR00
FFFFF170H	TQ1CCIC1	TQ1CCIF1	TQ1CCMK1	0	0	0	TQ1CCPR12	TQ1CCPR11	TQ1CCPR10
FFFFF172H	TQ1CCIC2	TQ1CCIF2	TQ1CCMK2	0	0	0	TQ1CCPR22	TQ1CCPR21	TQ1CCPR20
FFFFF174H	TQ1CCIC3	TQ1CCIF3	TQ1CCMK3	0	0	0	TQ1CCPR32	TQ1CCPR31	TQ1CCPR30
FFFFF176H	UA2RIC	UA2RIF	UA2RMK	0	0	0	UA2RPR2	UA2RPR1	UA2RPR0
FFFFF178H	UA2TIC	UA2TIF	UA2TMK	0	0	0	UA2TPR2	UA2TPR1	UA2TPR0
FFFFF182H	DMAIC0	DMAIF0	DMAMK0	0	0	0	DMAPR02	DMAPR01	DMAPR00
FFFFF184H	DMAIC1	DMAIF1	DMAMK1	0	0	0	DMAPR12	DMAPR11	DMAPR10
FFFFF186H	DMAIC2	DMAIF2	DMAMK2	0	0	0	DMAPR22	DMAPR21	DMAPR20
FFFFF188H	DMAIC3	DMAIF3	DMAMK3	0	0	0	DMAPR32	DMAPR31	DMAPR30
FFFFF18AH	PIC11	PIF11	PMK11	0	0	0	PPR112	PPR111	PPR110
FFFFF18CH	PIC12	PIF12	PMK12	0	0	0	PPR122	PPR121	PPR120
FFFFF18EH	PIC13	PIF13	PMK13	0	0	0	PPR132	PPR131	PPR130
FFFFF190H	PIC14	PIF14	PMK14	0	0	0	PPR142	PPR141	PPR140
FFFFF192H	TQ2OVIC	TQ2OVIF	TQ2OVMK	0	0	0	TQ2OVPR2	TQ2OVPR1	TQ2OVPR0
FFFFF194H	TQ2CCIC0	TQ2CCIF0	TQ2CCMK0	0	0	0	TQ2CCPR02	TQ2CCPR01	TQ2CCPR00
FFFFF196H	TQ2CCIC1	TQ2CCIF1	TQ2CCMK1	0	0	0	TQ2CCPR12	TQ2CCPR11	TQ2CCPR10
FFFFF198H	TQ2CCIC2	TQ2CCIF2	TQ2CCMK2	0	0	0	TQ2CCPR22	TQ2CCPR21	TQ2CCPR20
FFFFF19AH	TQ2CCIC3	TQ2CCIF3	TQ2CCMK3	0	0	0	TQ2CCPR32	TQ2CCPR31	TQ2CCPR30
FFFFF19CH	CB2RIC	CB2RIF	CB2RMK	0	0	0	CB2RPR2	CB2RPR1	CB2RPR0
FFFFF19EH	CB2TIC	CB2TIF	CB2TMK	0	0	0	CB2TPR2	CB2TPR1	CB2TPR0
FFFFF1A0H	UA3RIC ^{Note}	UA3RIF	UA3RMK	0	0	0	UA3RPR2	UA3RPR1	UA3RPR0
FFFFF1A2H	UA3TIC ^{Note}	UA3TIF	UA3TMK	0	0	0	UA3TPR2	UA3TPR1	UA3TPR0

Note μ PD70F3711, 70F3712 only

16.3.5 Interrupt mask registers 0 to 4 (IMR0 to IMR4)

The IMR0 to IMR4 registers set the interrupt mask state for the maskable interrupts. The xxMKn bit of the IMR0 to IMR4 registers is equivalent to the xxICn.xxMKn bit.

The IMRm register can be read or written in 16-bit units (m = 0 to 4).

If the higher 8 bits of the IMRm register are used as an IMRmH register and the lower 8 bits as an IMRmL register, these registers can be read or written in 8-bit or 1-bit units (m = 0 to 4).

Reset sets these registers to FFFFH.

Caution The device file defines the xxICn.xxMKn bit as a reserved word. If a bit is manipulated using the name of xxMKn, the contents of the xxICn register, instead of the IMRm register, are rewritten (as a result, the contents of the IMRm register are also rewritten).

After reset: FFFFH R/W Address: IMR4 FFFFF108H,
IMR4L FFFFF108H, IMR4H FFFFF109H

	15	14	13	12	11	10	9	8
IMR4 (IMR4H ^{Note 1})	1	1	1	1	1	1	UA3TMK ^{Note 2}	UA3RMK ^{Note 2}
	7	6	5	4	3	2	1	0
IMR4L	CB2TMK	CB2RMK	TQ2CCMK3	TQ2CCMK2	TQ2CCMK1	TQ2CCMK0	TQ2OVMK	PMK14

After reset: FFFFH R/W Address: IMR3 FFFFF106H,
IMR3L FFFFF106H, IMR3H FFFFF107H

	15	14	13	12	11	10	9	8
IMR3 (IMR3H ^{Note 1})	PMK13	PMK12	PMK11	DMAMK3	DMAMK2	DMAMK1	DMAMK0	1
	7	6	5	4	3	2	1	0
IMR3L	1	1	1	UA2TMK	UA2RMK	TQ1CCMK3	TQ1CCMK2	TQ1CCMK1

After reset: FFFFH R/W Address: IMR2 FFFFF104H,
IMR2L FFFFF104H, IMR2H FFFFF105H

	15	14	13	12	11	10	9	8
IMR2 (IMR2H ^{Note 1})	TQ1CCMK0	TQ1OVMK	PMK10	PMK9	PMK8	WTMK	WTIMK	KRMK
	7	6	5	4	3	2	1	0
IMR2L	1	1	1	1	ADMK	UA1TMK	UA1RMK	UAOTMK

After reset: FFFFH R/W Address: IMR1 FFFFF102H,
IMR1L FFFFF102H, IMR1H FFFFF103H

	15	14	13	12	11	10	9	8
IMR1 (IMR1H ^{Note 1})	UA0RMK	CB1TMK	CB1RMK	CB0TMK	CB0RMK	TM0EQMK0	TP3CCMK1	TP3CCMK0
	7	6	5	4	3	2	1	0
IMR1L	TP3OVMK	TP2CCMK1	TP2CCMK0	TP2OVMK	TP1CCMK1	TP1CCMK0	TP1OVMK	TP0CCMK1

After reset: FFFFH R/W Address: IMR0 FFFFF100H,
IMR0L FFFFF100H, IMR0H FFFFF101H

	15	14	13	12	11	10	9	8
IMR0 (IMR0H ^{Note 1})	TP0CCMK0	TP0OVMK	TQ0CCMK3	TQ0CCMK2	TQ0CCMK1	TQ0CCMK0	TQ0OVMK	PMK7
	7	6	5	4	3	2	1	0
IMR0L	PMK6	PMK5	PMK4	PMK3	PMK2	PMK1	PMK0	LVIMK

xxMKn	Setting of interrupt mask flag
0	Interrupt servicing enabled
1	Interrupt servicing disabled

Notes 1. To read bits 8 to 15 of the IMR0 to IMR4 registers in 8-bit or 1-bit units, specify them as bits 0 to 7 of IMR0H to IMR4H registers.

2. μ PD70F3711, 70F3712 only

Caution Set bits 15 to 10 of the IMR4 register, bits 8 to 5 of the IMR3 register, and bits 7 to 4 of the IMR2 register to 1. If the setting of these bits is changed, the operation is not guaranteed.

Remark xx: Identification name of each peripheral unit (see Table 16-2 Interrupt Control Registers (xxICn)).

n: Peripheral unit number (see Table 16-2 Interrupt Control Registers (xxICn))

16.3.6 In-service priority register (ISPR)

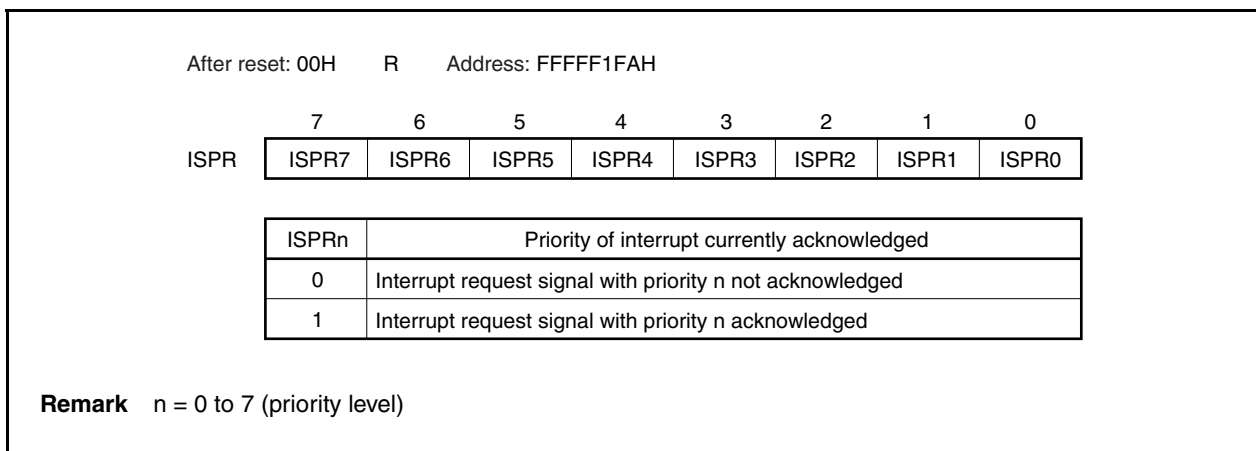
The ISPR register holds the priority level of the maskable interrupt currently acknowledged. When an interrupt request signal is acknowledged, the bit of this register corresponding to the priority level of that interrupt request signal is set to 1 and remains set while the interrupt is serviced.

When the RETI instruction is executed, the bit corresponding to the interrupt request signal having the highest priority is automatically reset to 0 by hardware. However, it is not reset to 0 when execution is returned from non-maskable interrupt servicing or exception processing.

This register is read-only, in 8-bit or 1-bit units.

Reset sets this register to 00H.

Caution If an interrupt is acknowledged while the ISPR register is being read in the interrupt enabled (EI) status, the value of the ISPR register after the bits of the register have been set by acknowledging the interrupt may be read. To accurately read the value of the ISPR register before an interrupt is acknowledged, read the register while interrupts are disabled (DI).



16.3.7 ID flag

This flag controls the maskable interrupt's operating state, and stores control information regarding enabling or disabling of interrupt request signals. An interrupt disable flag (ID) is assigned to the PSW.

Reset sets this flag to 00000020H.

After reset: 00000020H

	31	8	7	6	5	4	3	2	1	0	
PSW	0			NP	EP	ID	SAT	CY	OV	S	Z

ID	Specification of maskable interrupt servicing ^{Note}
0	Maskable interrupt request signal acknowledgment enabled
1	Maskable interrupt request signal acknowledgment disabled (pending)

Note Interrupt disable flag (ID) function
 This bit is set to 1 by the DI instruction and cleared to 0 by the EI instruction. Its value is also modified by the RETI instruction or LDSR instruction when referencing the PSW.
 Non-maskable interrupt request signals and exceptions are acknowledged regardless of this flag. When a maskable interrupt request signal is acknowledged, the ID flag is automatically set to 1 by hardware.
 The interrupt request signal generated during the acknowledgment disabled period (ID flag = 1) is acknowledged when the xxICn.xxIFn bit is set to 1, and the ID flag is cleared to 0.

16.3.8 Watchdog timer mode register 2 (WDTM2)

This register can be read or written in 8-bit units (for details, see **CHAPTER 11 FUNCTIONS OF WATCHDOG TIMER 2**).

Reset sets this register to 67H.

After reset: 67H R/W Address: FFFFF6D0H

	7	6	5	4	3	2	1	0
WDTM2	0	WDM21	WDM20	0	0	0	0	0

WDM21	WDM20	Selection of watchdog timer operation mode
0	0	Stops operation
0	1	Non-maskable interrupt request mode
1	×	Reset mode (initial-value)

16.4 Software Exception

A software exception is generated when the CPU executes the TRAP instruction, and can always be acknowledged.

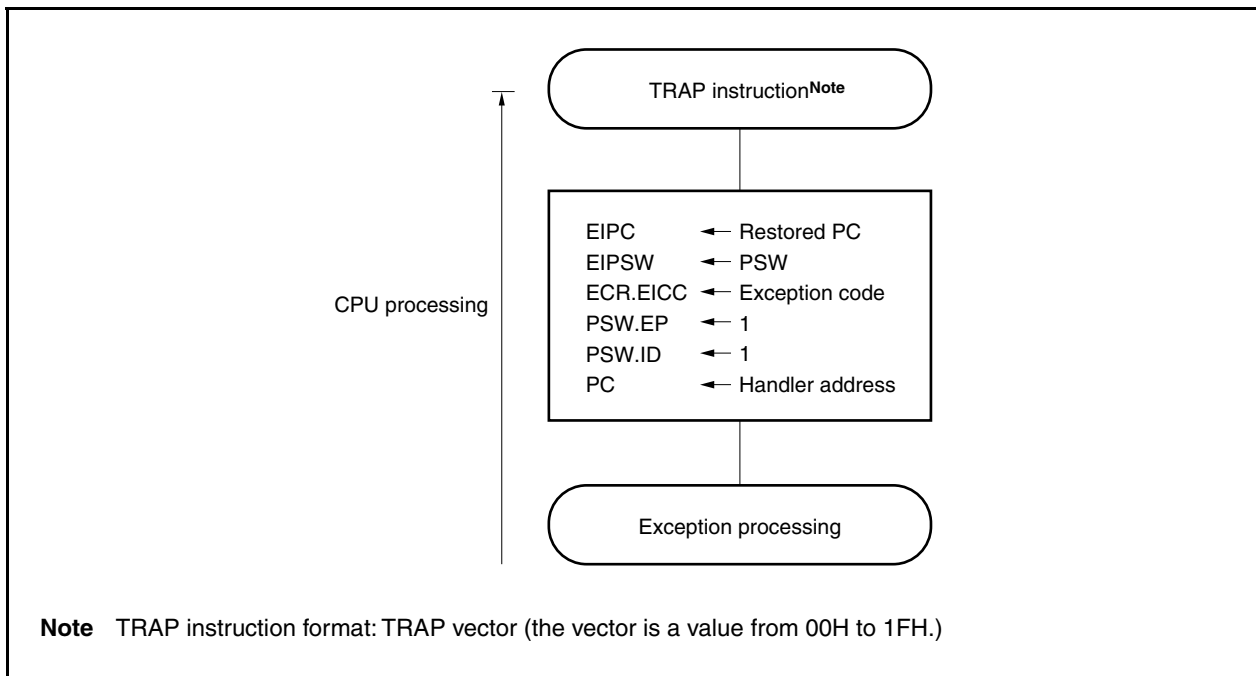
16.4.1 Operation

If a software exception occurs, the CPU performs the following processing, and transfers control to the handler routine.

- <1> Saves the restored PC to EIPC.
- <2> Saves the current PSW to EIPSW.
- <3> Writes an exception code to the lower 16 bits (EICC) of ECR (interrupt source).
- <4> Sets the PSW.EP and PSW.ID bits to 1.
- <5> Sets the handler address (00000040H or 00000050H) corresponding to the software exception to the PC, and transfers control.

Figure 16-9 illustrates the processing of a software exception.

Figure 16-9. Software Exception Processing



The handler address is determined by the TRAP instruction's operand (vector). If the vector is 00H to 0FH, it becomes 00000040H, and if the vector is 10H to 1FH, it becomes 00000050H.

16.4.2 Restore

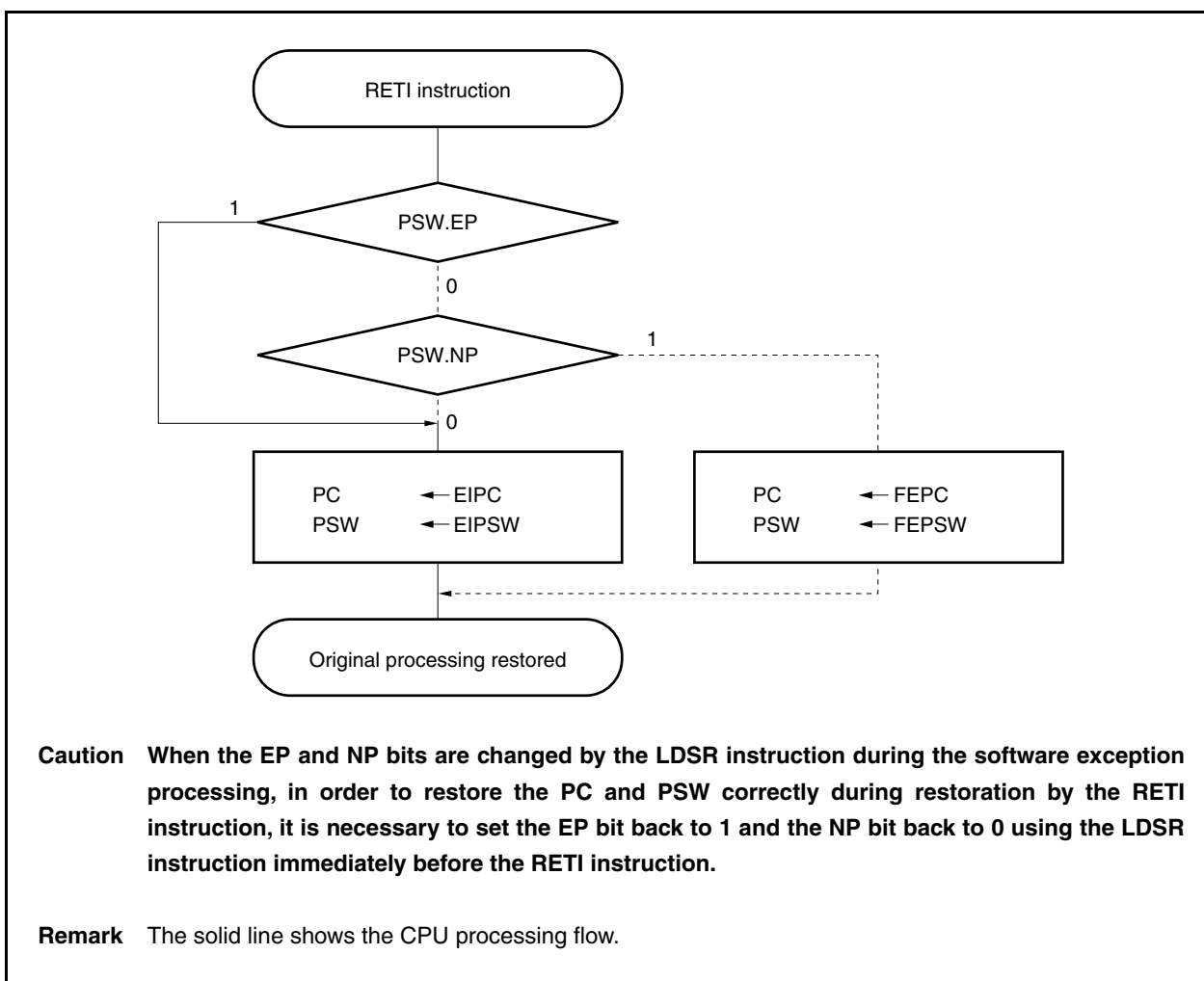
Restoration from software exception processing is carried out by the RETI instruction.

By executing the RETI instruction, the CPU carries out the following processing and shifts control to the restored PC's address.

- <1> Loads the restored PC and PSW from EIPC and EIPSW because the PSW.EP bit is 1.
- <2> Transfers control to the address of the restored PC and PSW.

Figure 16-10 illustrates the processing of the RETI instruction.

Figure 16-10. RETI Instruction Processing



16.4.3 EP flag

The EP flag is a status flag used to indicate that exception processing is in progress. It is set when an exception occurs.

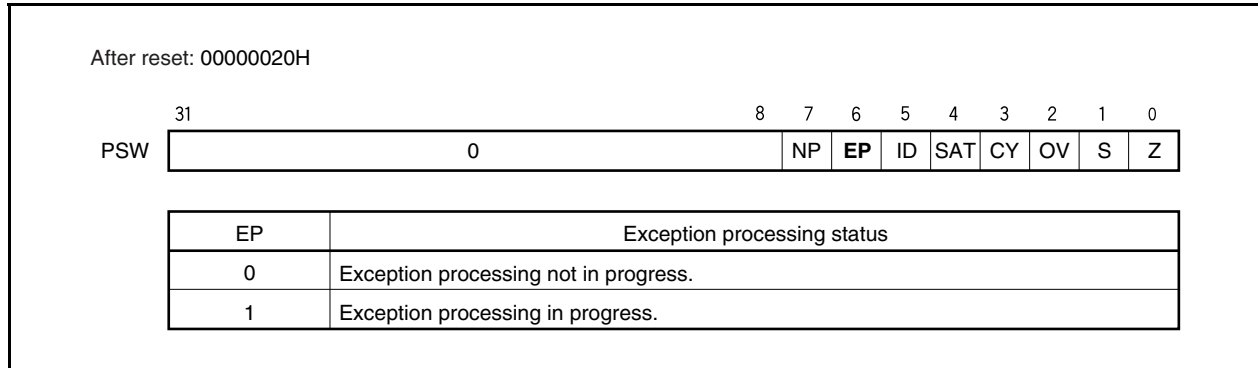
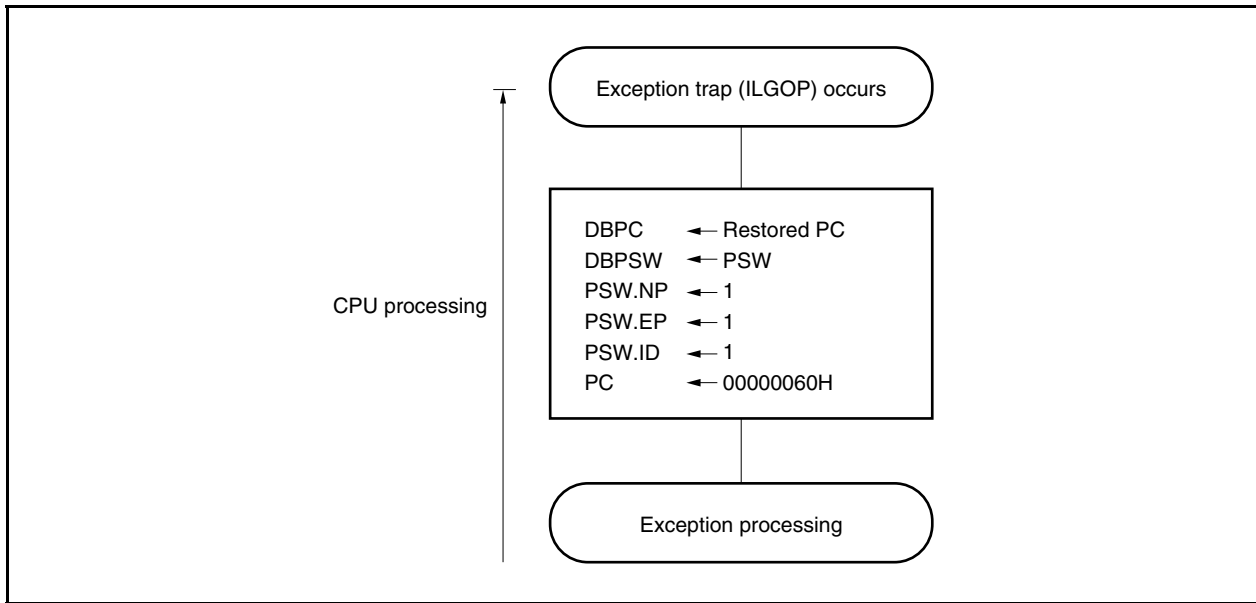


Figure 16-11. Exception Trap Processing

**(2) Restore**

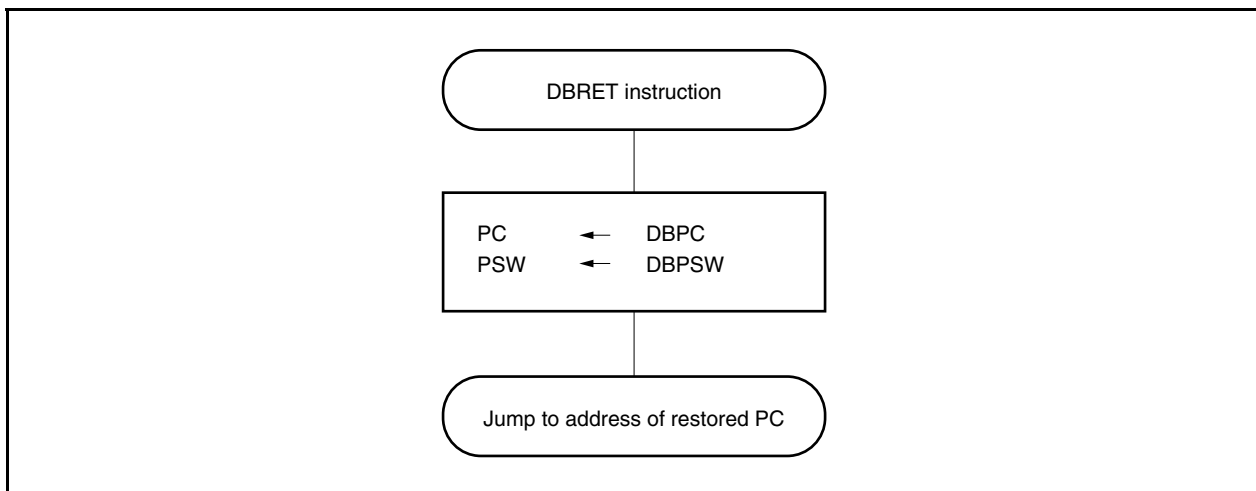
Restoration from an exception trap is carried out by the DBRET instruction. By executing the DBRET instruction, the CPU carries out the following processing and controls the address of the restored PC.

- <1> Loads the restored PC and PSW from DBPC and DBPSW.
- <2> Transfers control to the address indicated by the restored PC and PSW.

Caution DBPC and DBPSW can be accessed only during the interval between the execution of the illegal opcode and the DBRET instruction.

Figure 16-12 illustrates the restore processing from an exception trap.

Figure 16-12. Restore Processing from Exception Trap



16.5.2 Debug trap

A debug trap is an exception that is generated when the DBTRAP instruction is executed and is always acknowledged.

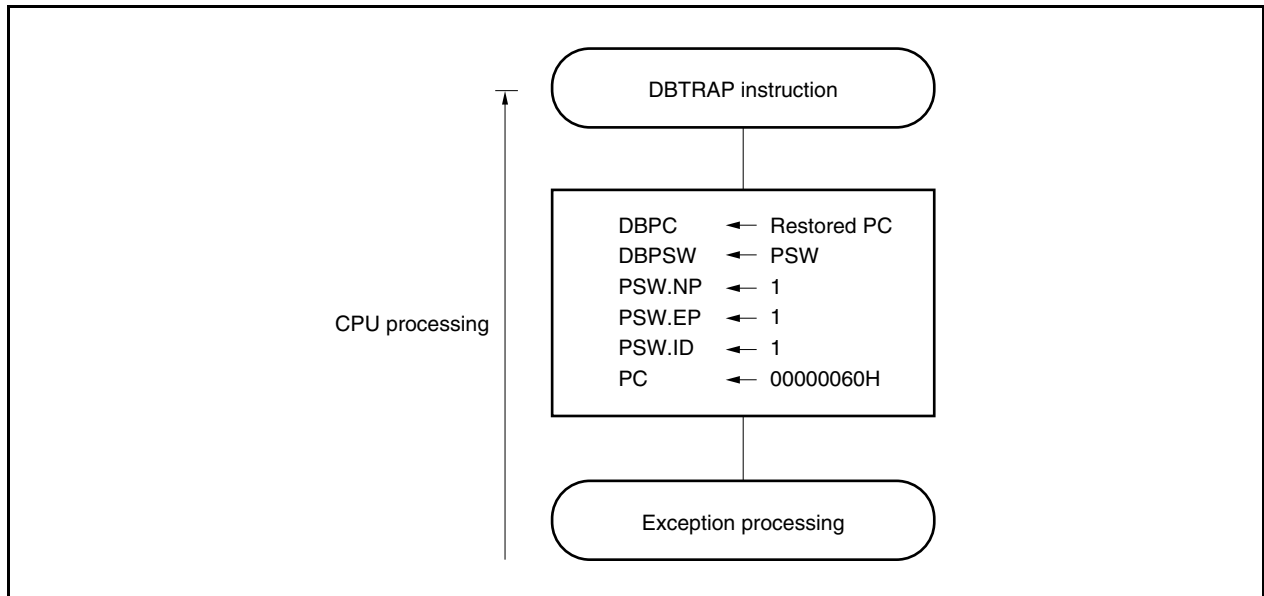
(1) Operation

Upon occurrence of a debug trap, the CPU performs the following processing.

- <1> Saves restored PC to DBPC.
- <2> Saves current PSW to DBPSW.
- <3> Sets the PSW.NP, PSW.EP, and PSW.ID bits to 1.
- <4> Sets handler address (00000060H) for debug trap to PC and transfers control.

Figure 16-13 shows the debug trap processing format.

Figure 16-13. Debug Trap Processing Format



(2) Restore

Restoration from a debug trap is executed with the DBRET instruction.

With the DBRET instruction, the CPU performs the following steps and transfers control to the address of the restored PC.

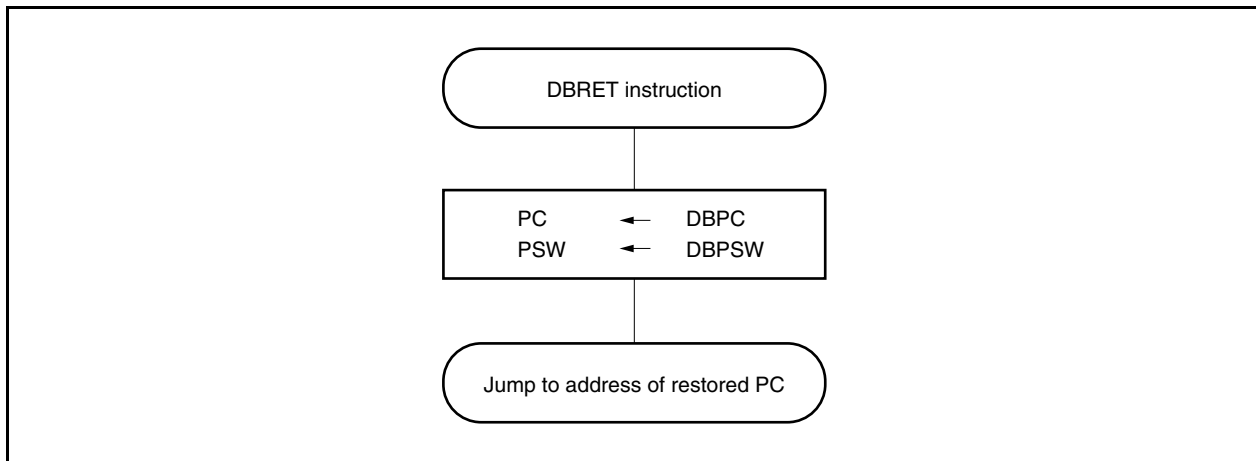
<1> The restored PC and PSW are read from DBPC and DBPSW.

<2> Control is transferred to the fetched address of the restored PC and PSW.

Caution DBPC and DBPSW can be accessed only during the interval between the execution of the DBTRAP instruction and the DBRET instruction.

Figure 16-14 shows the processing format for restoration from a debug trap.

Figure 16-14. Processing Format of Restoration from Debug Trap



16.6 External Interrupt Request Input Pins (NMI and INTP0 to INTP14)

16.6.1 Noise elimination

(1) Eliminating noise on NMI pin

The NMI pin has an internal noise elimination circuit that uses analog delay. Therefore, the input level of the NMI pin is not detected as an edge unless it is maintained for a specific time or longer. Therefore, an edge is detected after specific time.

The NMI pin can be used to release the STOP mode. In the STOP mode, noise is not eliminated by using the system clock because the internal system clock is stopped.

(2) Eliminating noise on INTP0 to INTP14 pins

The INTP0 to INTP14 pins have an internal noise elimination circuit that uses analog delay. Therefore, the input level of the NMI pin is not detected as an edge unless it is maintained for a specific time or longer. Therefore, an edge is detected after specific time.

16.6.2 Edge detection

The valid edge of each of the NMI and INTP0 to INTP14 pins can be selected from the following four.

- Rising edge
- Falling edge
- Both rising and falling edges
- No edge detected

The edge of the NMI pin is not detected after reset. Therefore, the interrupt request signal is not acknowledged unless a valid edge is enabled by using the INTF0 and INTR0 register (the NMI pin functions as a normal port pin).

(1) External interrupt falling, rising edge specification register 0 (INTF0, INTR0)

The INTF0 and INTR0 registers are 8-bit registers that specify detection of the falling and rising edges of the NMI pin via bit 2 and the external interrupt pins (INTP0 to INTP3) via bits 3 to 6.

These registers can be read or written in 8-bit or 1-bit units.

Reset sets these registers to 00H.

Caution When the function is changed from the external interrupt function (alternate function) to the port function, an edge may be detected. Therefore, clear the INTF0n and INTR0n bits to 00, and then set the port mode.

After reset: 00H R/W Address: INTF0 FFFFFFFC00H, INTR0 FFFFFFFC20H

7	6	5	4	3	2	1	0
INTF0	0	INTF06	INTF05	INTF04	INTF03	INTF02	0
		└─┬─┘	└─┬─┘	└─┬─┘	└─┬─┘	└─┬─┘	
		INTP3	INTP2	INTP1	INTP0	NMI	

7	6	5	4	3	2	1	0
INTR0	0	INTR06	INTR05	INTR04	INTR03	INTR02	0
		└─┬─┘	└─┬─┘	└─┬─┘	└─┬─┘	└─┬─┘	
		INTP3	INTP2	INTP1	INTP0	NMI	

Remark For the valid edge specification combinations, see **Table 16-3**.

Table 16-3. Valid Edge Specification

INTF0n	INTR0n	Valid Edge Specification (n = 2 to 6)
0	0	No edge detected
0	1	Rising edge
1	0	Falling edge
1	1	Both rising and falling edges

Caution Be sure to clear the INTF0n and INTR0n bits to 00 if the corresponding pin is not used as the NMI or INTP0 to INTP3 pins.

Remark n = 2: Control of NMI pin
 n = 3 to 6: Control of INTP0 to INTP3 pins

(2) External interrupt rising, falling edge specification register 1 (INTR1, INTF1)

The INTR1 and INTF1 registers are 8-bit registers that specify detection of the rising and falling edges of the INTP9 and INTP10 pins.

These registers can be read or written in 8-bit or 1-bit units.

Reset sets these registers to 00H.

Caution When the function is changed from the external interrupt function (alternate function) to the port function, an edge may be detected. Therefore, clear the INTF1n and INTR1n bits to 00, and then set the port mode.

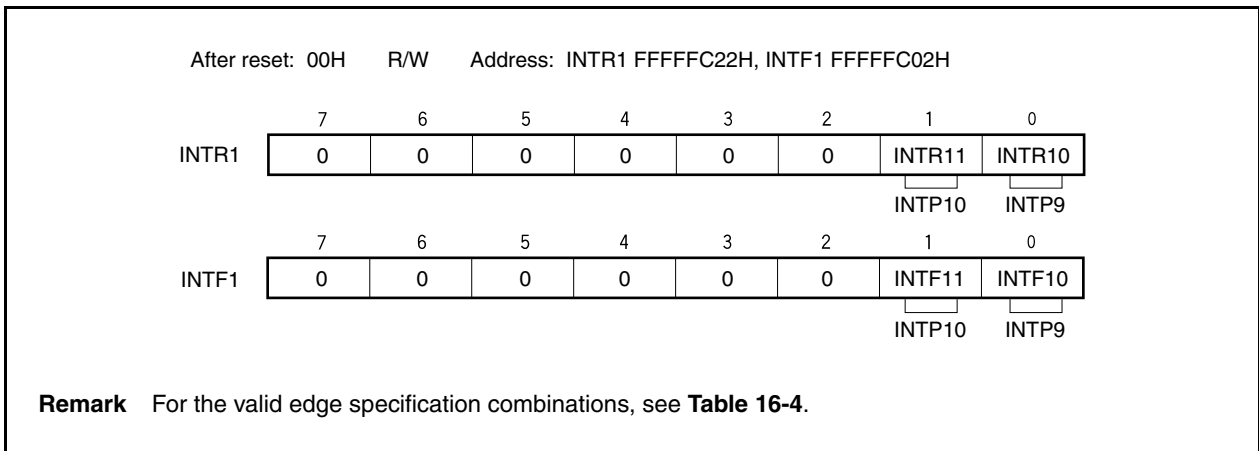


Table 16-4. Valid Edge Specification

INTF1n	INTR1n	Valid Edge Specification (n = 0, 1)
0	0	No edge detected
0	1	Rising edge
1	0	Falling edge
1	1	Both rising and falling edges

Caution Be sure to clear the INTF1n and INTR1n bits to 00 if the corresponding pin is not used as the INTP9 and INTP10 pins.

Remark n = 0: Control of INTP9 pin
n = 1: Control of INTP10 pin

(3) External interrupt rising, falling edge specification register 3 (INTR3, INTF3)

The INTR3 and INTF3 registers are 8-bit registers that specify detection of the rising and falling edges of the INTP7 and INTP8 pins.

These registers can be read or written in 16-bit units.

However, when the higher 8 bits of INTF3 register are used as the INTF3H register and the lower 8 bits as the INTF3L register, they can be read or written in 8-bit or 1-bit units.

Reset sets these registers to 00H.

Caution When the function is changed from the external interrupt function (alternate function) to the port function, an edge may be detected. Therefore, clear the INTF3n and INTR3n bits to 00, and then set the port mode.

After reset: 0000H R/W Address: INTF3 FFFFFFFC06H,
INTF3L FFFFFFFC06H, INTF3H FFFFFFFC07H

	7	6	5	4	3	2	1	0
INTF3 (INTF3H ^{Note})	0	0	0	0	0	0	INTF39	0
							┌	
							└	
							INTP8	
(INTF3L)	0	0	0	0	0	0	INTF31	0
							┌	
							└	
							INTP7	

After reset: 0000H R/W Address: INTR3 FFFFFFFC26H,
INTR3L FFFFFFFC26H, INTR3H FFFFFFFC27H

	7	6	5	4	3	2	1	0
INTR3 (INTR3H ^{Note})	0	0	0	0	0	0	INTR39	0
							┌	
							└	
							INTP8	
(INTR3L)	0	0	0	0	0	0	INTR31	0
							┌	
							└	
							INTP7	

Caution When bits 8 to 15 of the INTF3 and INTR3 registers are read or written in 8-bit or 1-bit units, specify them as bits 0 to 7 of the INTF3H and INTR3H registers.

Remark For the valid edge specification combinations, see Table 16-5.

Table 16-5. Valid Edge Specification

INTF3n	INTR3n	Valid Edge Specification (n = 1, 9)
0	0	No edge detected
0	1	Rising edge
1	0	Falling edge
1	1	Both rising and falling edges

Caution Be sure to clear the INTF3n and INTR3n bits to 00 if the corresponding pin is not used as the INTP7 and INTP8 pins.

Remark n = 1: Control of INTP7 pin
n = 9: Control of INTP8 pin

(4) External interrupt rising, falling edge specification register 6L (INTR6L, INTF6L)

The INTR6L and INTF6L registers are 8-bit registers that specify detection of the rising and falling edges of the INTP11 to INTP13 pins.

These registers can be read or written in 8-bit or 1-bit units.

Reset sets these registers to 00H.

Caution When the function is changed from the external interrupt function (alternate function) to the port function, an edge may be detected. Therefore, clear the INTF6n and INTR6n bits to 00, and then set the port mode.

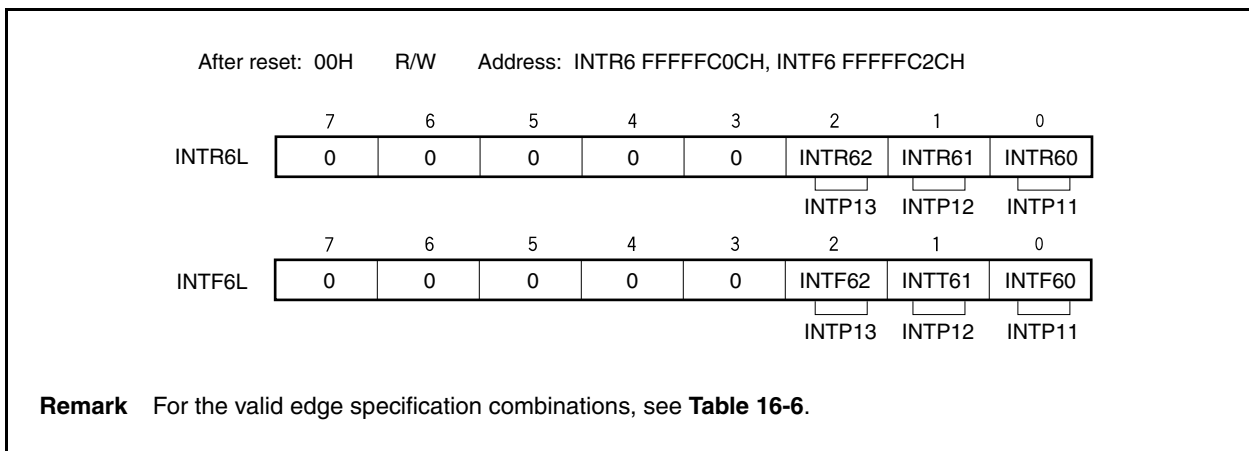


Table 16-6. Valid Edge Specification

INTF6n	INTR6n	Valid Edge Specification (n = 0 to 2)
0	0	No edge detected
0	1	Rising edge
1	0	Falling edge
1	1	Both rising and falling edges

Caution Be sure to clear the INTF6n and INTR6n bits to 00 if the corresponding pin is not used as the NMI or INTP11 to INTP13 pins.

Remark n = 0: Control of INTP11 pin
 n = 1: Control of INTP12 pin
 n = 2: Control of INTP13 pin

(5) External interrupt falling, rising edge specification register 8 (INTF8, INTR8)

The INTF8 and INTR8 registers are 8-bit registers that specify detection of the falling and rising edges of the external interrupt pin (INTP14).

These registers can be read or written in 8-bit or 1-bit units.

Reset sets these registers to 00H.

Cautions 1. When the function is changed from the external interrupt function (alternate function) to the port function, an edge may be detected. Therefore, clear the INTF80 and INTR80 bits to 00, and then set the port mode.

2. The INTP14 pin and RXDA3 pin are alternate-function pins. When using the pin as the RXDA3 pin, disable edge detection for the INTP14 alternate-function pin (clear the INTF8.INTF80 bit and the INTR8.INTR80 bit to 0). When using the pin as the INTP14 pin, stop UARTA3 reception (clear the UA3CTL0.UA3RXE bit to 0).

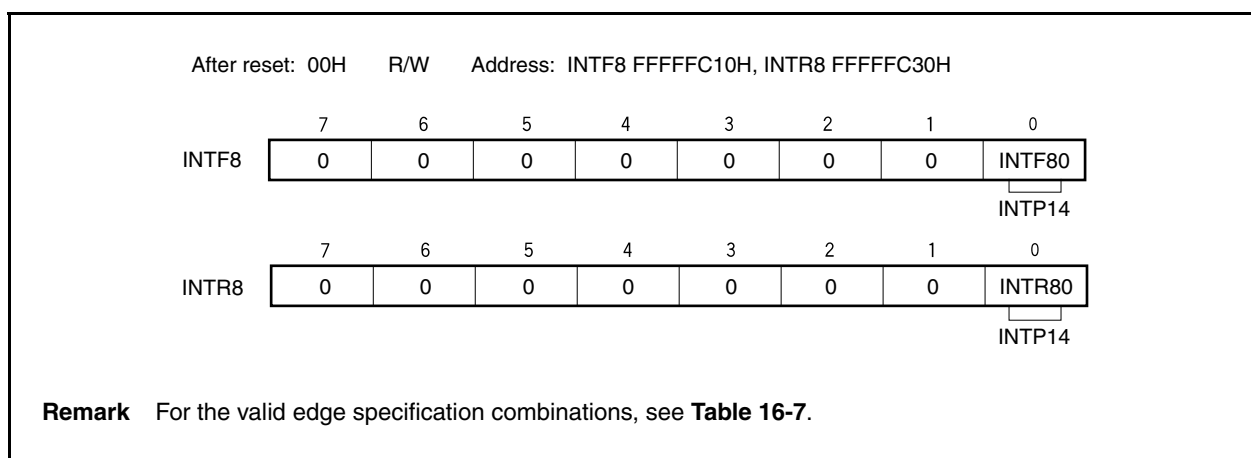


Table 16-7. Valid Edge Specification

INTF80	INTR80	Valid Edge Specification
0	0	No edge detected
0	1	Rising edge
1	0	Falling edge
1	1	Both rising and falling edges

Caution Be sure to clear the INTF80 and INTR80 bits to 00 if the corresponding pin is not used as INTP14 pin.

(6) External interrupt falling, rising edge specification register 9H (INTF9H, INTR9H)

The INTF9H and INTR9H registers are 8-bit registers that specify detection of the falling and rising edges of the external interrupt pins (INTP4 to INTP6).

These registers can be read or written in 8-bit or 1-bit units.

Reset sets these registers to 00H.

Caution When the function is changed from the external interrupt function (alternate function) to the port function, an edge may be detected. Therefore, clear the INTF9n and INTR9n bits to 0, and then set the port mode.

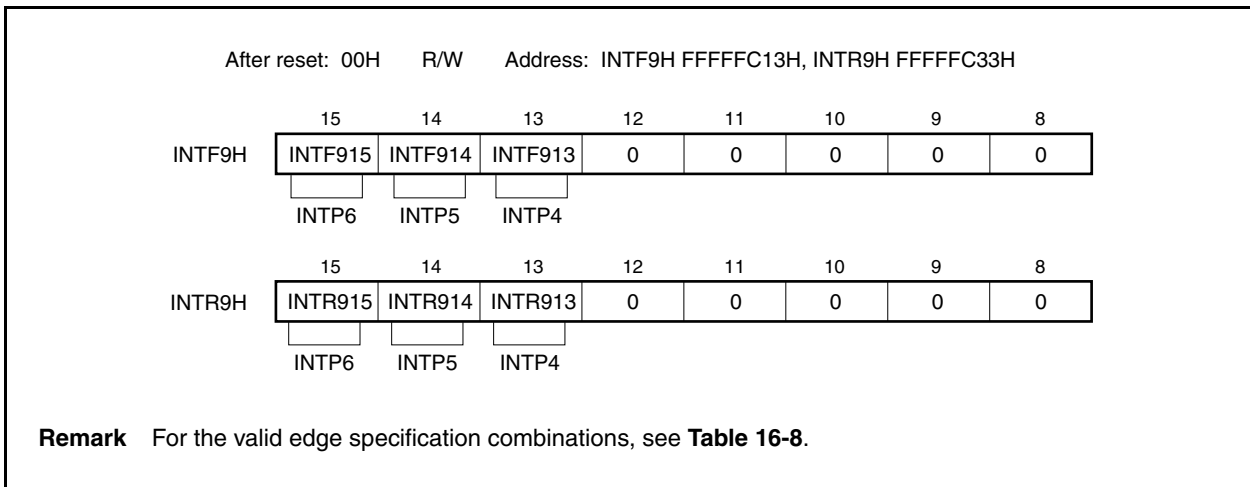


Table 16-8. Valid Edge Specification

INTF9n	INTR9n	Valid Edge Specification (n = 13 to 15)
0	0	No edge detected
0	1	Rising edge
1	0	Falling edge
1	1	Both rising and falling edges

Caution Be sure to clear the INTF9n and INTR9n bits to 00 if the corresponding pin is not used as INTP4 to INTP6 pins.

Remark n = 13 to 15: Control of INTP4 to INTP6 pins

(7) Noise elimination control register (NFC)

Digital noise elimination can be selected for the INTP3 pin. The noise elimination settings are performed using the NFC register.

<R> When digital noise elimination is selected, the sampling clock for digital sampling can be selected from among $f_{xx}/64$, $f_{xx}/128$, $f_{xx}/256$, $f_{xx}/512$, $f_{xx}/1,024$, and f_{XT} . Sampling times are set by the NFC.NFSTS bit.

When digital noise elimination is selected, if the clock that performs sampling in the standby mode is stopped, then the INTP3 interrupt request signal cannot be used for releasing the standby mode. When f_{XT} is used as the sampling clock, the INTP3 interrupt request signal can be used for releasing either the subclock operating mode or the IDLE1/IDLE2/STOP/sub-IDLE mode.

This register can be read or written in 8-bit units.

Reset sets this register to 00H.

Caution Time equal to the sampling clock \times the number of times set by the NFSTS bit is required until the digital noise eliminator is initialized after the sampling clock has been changed. If the valid edge of INTP3 is input after the sampling clock has been changed and before the time of the sampling clock \times the number of times set by the NFSTS bit passes, therefore, the interrupt request signal may be generated. Therefore, note the following points when using the interrupt and DMA functions.

- When using the interrupt function, after the sampling clock \times the number of times set by the NFSTS bit have elapsed, enable interrupts after the interrupt request flag (PIC3.PIF3 bit) has been cleared.
- When using the DMA function (started by INTP3), enable DMA after the sampling clock \times the number of times set by the NFSTS bit have elapsed.

After reset: 00H R/W Address: FFFFF318H

	7	6	5	4	3	2	1	0
NFC	NFEN	NFSTS	0	0	0	NFC2	NFC1	NFC0

NFEN	Settings of INTP3 pin noise elimination
0	Analog noise elimination
1	Digital noise elimination

NFSTS	Setting of number of times of sampling of digital noise elimination
0	Number of times of sampling × 3 times
1	Number of times of sampling × twice

NFC2	NFC1	NFC0	Digital sampling clock
0	0	0	$f_{xx}/64$
0	0	1	$f_{xx}/128$
0	1	0	$f_{xx}/256$
0	1	1	$f_{xx}/512$
1	0	0	$f_{xx}/1,024$
1	0	1	f_{xt} (subclock)
Other than above			Setting prohibited

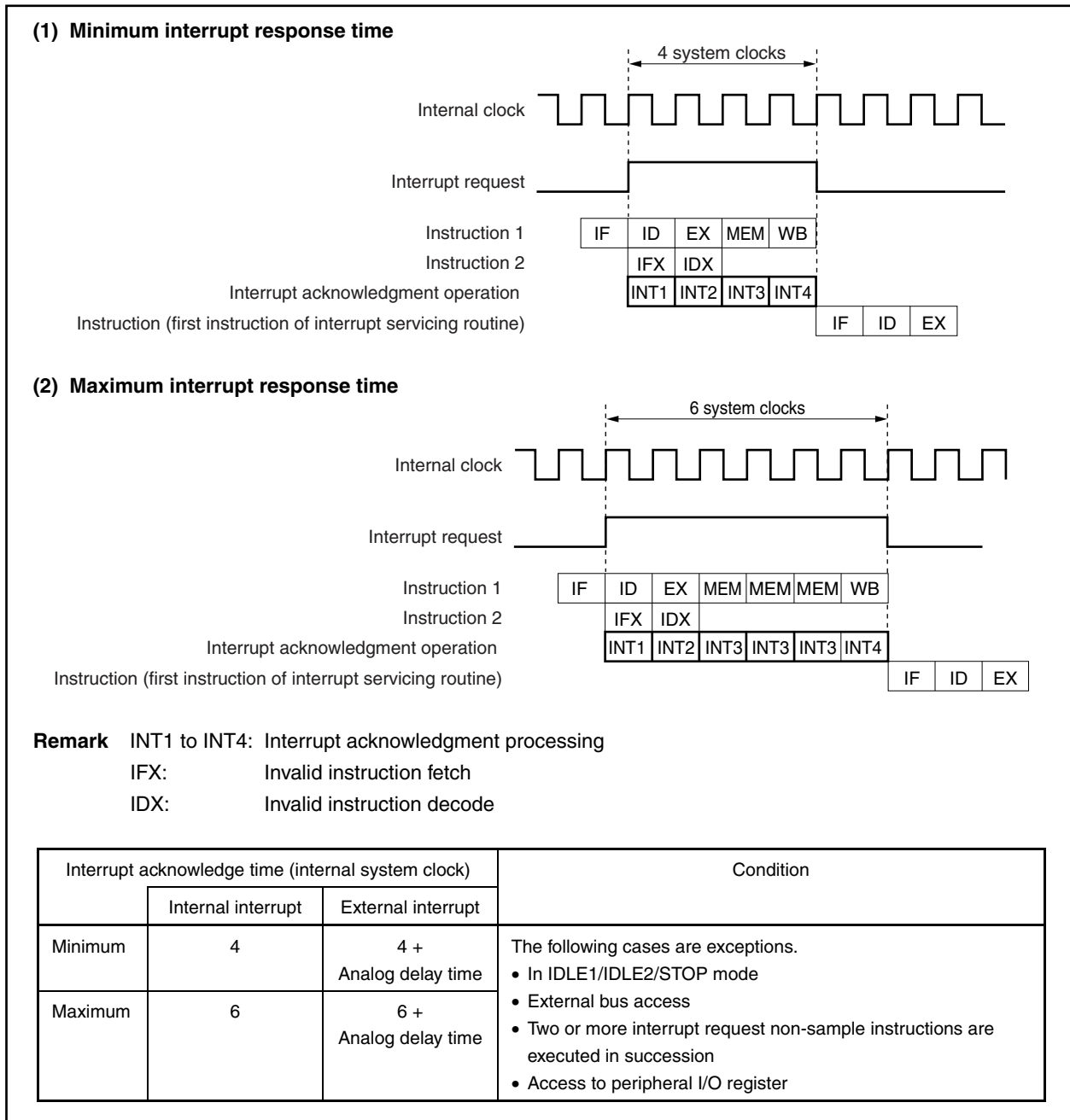
- Remarks**
1. Since sampling is performed three times, the reliably eliminated noise width is 2 sampling clocks.
 2. In the case of noise with a width smaller than 2 sampling clocks, an interrupt request signal is generated if noise synchronized with the sampling clock is input.

16.7 Interrupt Acknowledge Time of CPU

Except the following cases, the interrupt acknowledge time of the CPU is 4 clocks minimum. To input interrupt request signals successively, input the next interrupt request signal at least 5 clocks after the preceding interrupt.

- In IDLE1/IDLE2/STOP mode
- When the external bus is accessed
- When interrupt request non-sampling instructions are successively executed (see 16.8 Periods in Which Interrupts Are Not Acknowledged by CPU.)
- When the interrupt control register is accessed

Figure 16-15. Pipeline Operation at Interrupt Request Signal Acknowledgment (Outline)



16.8 Periods in Which Interrupts Are Not Acknowledged by CPU

An interrupt is acknowledged by the CPU while an instruction is being executed. However, no interrupt will be acknowledged between an interrupt request non-sample instruction and the next instruction (interrupt is held pending).

The interrupt request non-sample instructions are as follows.

- EI instruction
- DI instruction
- LDSR reg2, 0x5 instruction (for PSW)
- The store instruction for the PRCMD register
- The store, SET1, NOT1, or CLR1 instructions for the following registers:
 - Interrupt-related registers:
Interrupt control register (xxICn), interrupt mask registers 0 to 4 (IMR0 to IMR4)
 - Power save control register (PSC)
 - On-chip debug mode register (OCDM)
 - Peripheral emulation register 1 (PEMU1):

Remark xx: Identification name of each peripheral unit (see **Table 16-2 Interrupt Control Registers (xxICn)**)

n: Peripheral unit number (see **Table 16-2 Interrupt Control Registers (xxICn)**).

16.9 Cautions

The NMI pin alternately functions as the P02 pin. It functions as a normal port pin after reset. To enable the NMI pin, validate the NMI pin with the PMC0 register. The initial setting of the NMI pin is “No edge detected”. Select the NMI pin valid edge using the INTF0 and INTR0 registers.

CHAPTER 17 KEY INTERRUPT FUNCTION

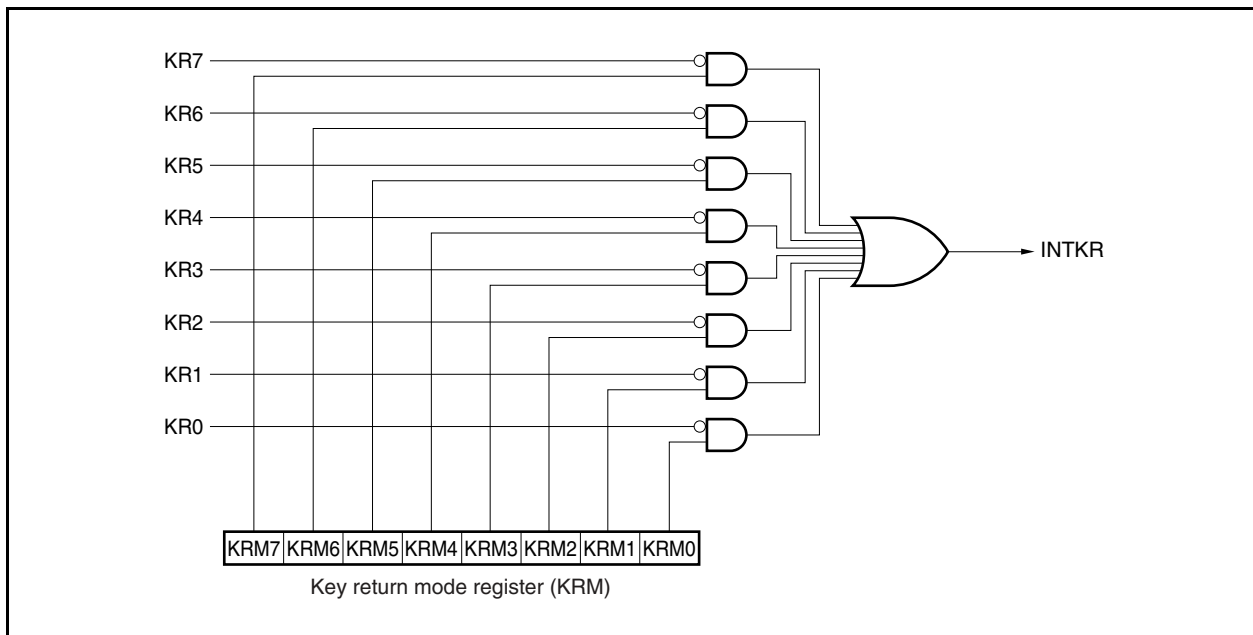
17.1 Function

A key interrupt request signal (INTKR) can be generated by inputting a falling edge to the eight key input pins (KR0 to KR7) by setting the KRM register.

Table 17-1. Assignment of Key Return Detection Pins

Flag	Pin Description
KRM0	Controls KR0 signal in 1-bit units
KRM1	Controls KR1 signal in 1-bit units
KRM2	Controls KR2 signal in 1-bit units
KRM3	Controls KR3 signal in 1-bit units
KRM4	Controls KR4 signal in 1-bit units
KRM5	Controls KR5 signal in 1-bit units
KRM6	Controls KR6 signal in 1-bit units
KRM7	Controls KR7 signal in 1-bit units

Figure 17-1. Key Return Block Diagram



17.2 Register

(1) Key return mode register (KRM)

The KRM register controls the KRM0 to KRM7 bits using the KR0 to KR7 signals.

This register can be read or written in 8-bit or 1-bit units.

Reset sets this register to 00H.

After reset: 00H		R/W	Address: FFFFF300H					
	7	6	5	4	3	2	1	0
KRM	KRM7	KRM6	KRM5	KRM4	KRM3	KRM2	KRM1	KRM0
KRMn	Control of key return mode							
0	Does not detect key return signal							
1	Detects key return signal							

Caution Rewrite the KRM register after once clearing the KRM register to 00H.

Remark For the alternate-function pin settings, see **Table 4-19 Using Port Pin as Alternate Function Pin**.

17.3 Cautions

- (1) If a low level is input to any of the KR0 to KR7 pins, the INTKR signal is not generated even if the falling edge of another pin is input.
- (2) The RXDA1 and KR7 pins must not be used at the same time. To use the RXDA1 pin, do not use the KR7 pin. To use the KR7 pin, do not use the RXDA1 pin (it is recommended to set the PFC91 bit to 1 and clear PFCE91 bit to 0).
- (3) If the KRM register is changed, an interrupt request signal (INTKR) may be generated. To prevent this, change the KRM register after disabling interrupts (DI) or masking, then clear the interrupt request flag (KRIC.KRIF bit) to 0, and enable interrupts (EI) or clear the mask.
- (4) To use the key interrupt function, be sure to set the port pin to the key return pin and then enable the operation with the KRM register. To switch from the key return pin to the port pin, disable the operation with the KRM register and then set the port pin.

CHAPTER 18 STANDBY FUNCTION

18.1 Overview

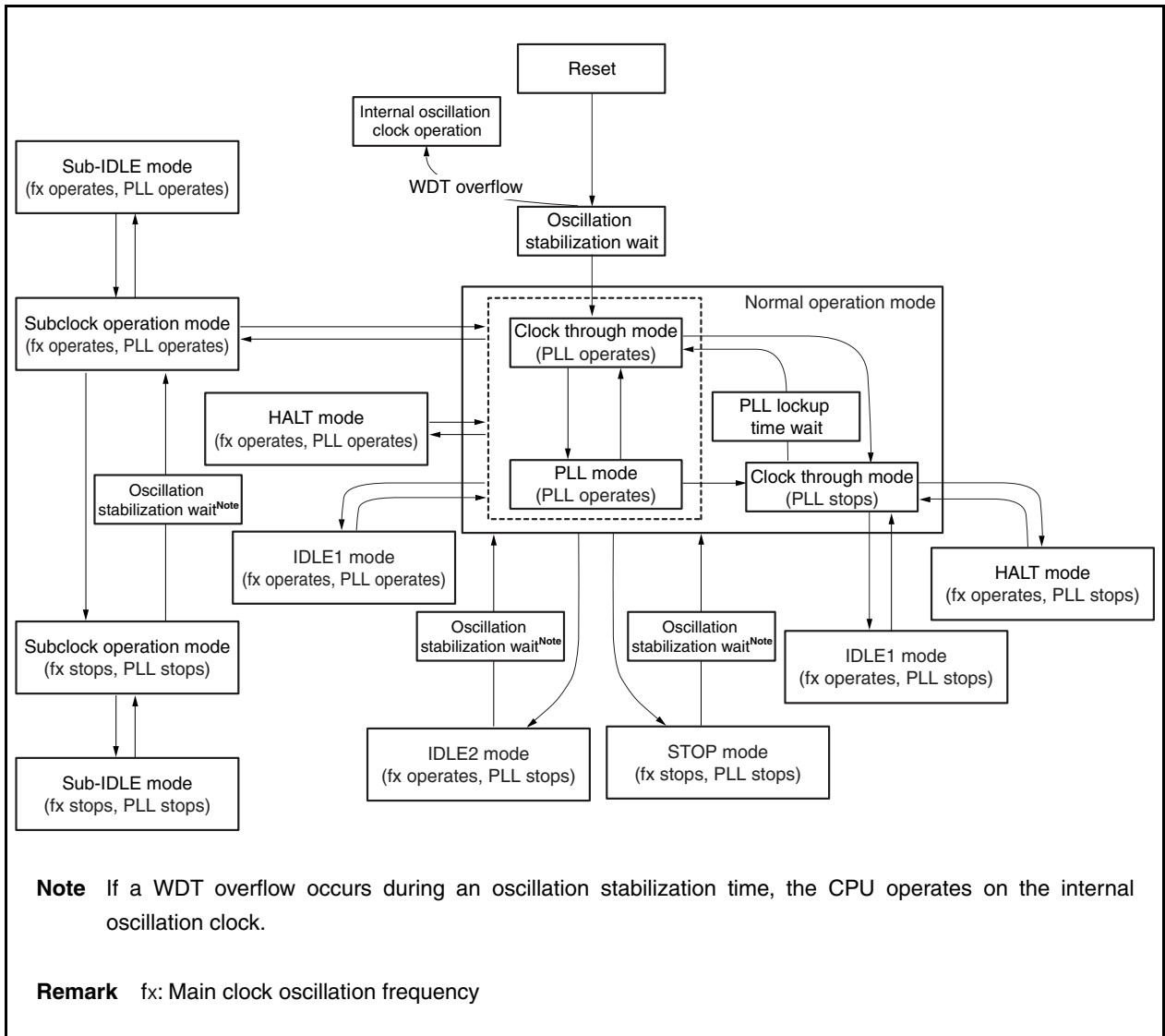
The power consumption of the system can be effectively reduced by using the standby modes in combination and selecting the appropriate mode for the application. The available standby modes are listed in Table 18-1.

Table 18-1. Standby Modes

Mode	Functional Outline
HALT mode	Mode in which only the operating clock of the CPU is stopped
IDLE1 mode	Mode in which all the operations of the internal circuits except the oscillator, PLL ^{Note} , and flash memory are stopped
IDLE2 mode	Mode in which all the internal operations of the chip except the oscillator are stopped
STOP mode	Mode in which all the internal operations of the chip except the subclock oscillator are stopped
Subclock operation mode	Mode in which the subclock is used as the internal system clock
Sub-IDLE mode	Mode in which all the internal operations of the chip except the oscillator are stopped, in the subclock operation mode

Note The PLL holds the previous operating status.

Figure 18-1. Status Transition



18.2 Registers

(1) Power save control register (PSC)

The PSC register is an 8-bit register that controls the standby function. The STP bit of this register is used to specify the STOP mode. This register is a special register that can be written only by the special sequence combinations (see 3.4.7 Special registers).

This register can be read or written in 8-bit or 1-bit units.

Reset sets this register to 00H.

After reset: 00H R/W Address: FFFFF1FEH

	7	6	5	4	3	2	1	0
PSC	0	NMI1M	NMI0M	INTM	0	0	STP	0

NMI1M	Standby mode release control upon occurrence of INTWDT2 signal
0	Standby mode release by INTWDT2 signal enabled
1	Standby mode release by INTWDT2 signal disabled

NMI0M	Standby mode release control by NMI pin input
0	Standby mode release by NMI pin input enabled
1	Standby mode release by NMI pin input disabled

INTM	Standby mode release control via maskable interrupt request signal
0	Standby mode release by maskable interrupt request signal enabled
1	Standby mode release by maskable interrupt request signal disabled

STP	Standby mode ^{Note} setting
0	Normal mode
1	Standby mode

Note Standby mode set by STP bit: IDLE1, IDLE2, STOP, or sub-IDLE mode

- Cautions**
1. Before setting the IDLE1, IDLE2, STOP, or sub-IDLE mode, set the PSMR.PSM1 and PSMR.PSM0 bits and then set the STP bit.
 2. Settings of the NMI1M, NMI0M, and INTM bits are invalid when HALT mode is released.
 3. If the NMI1M, NMI0M, or INTM bit is set to 1 at the same time the STP bit is set to 1, the setting of NMI1M, NMI0M, or INTM bit becomes invalid. If there is an unmasked interrupt request signal being held pending when the IDLE1/IDLE2/STOP mode is set, set the bit corresponding to the interrupt request signal (NMI1M, NMI0M, or INTM) to 1, and then set the STP bit to 1.

<R>

(2) Power save mode register (PSMR)

The PSMR register is an 8-bit register that controls the operation status in the power save mode and the clock operation.

This register can be read or written in 8-bit or 1-bit units.

Reset sets this register to 00H.

After reset: 00H R/W Address: FFFFF820H

	7	6	5	4	3	2	1	0
PSMR	0	0	0	0	0	0	PSM1	PSM0

PSM1	PSM0	Specification of operation in software standby mode
0	0	IDLE1
0	1	STOP mode
1	0	IDLE2, sub-IDLE modes
1	1	STOP mode

Cautions 1. Be sure to clear bits 2 to 7 to “0”.

2. The PSM0 and PSM1 bits are valid only when the PSC.STP bit is 1.

Remark IDLE1: In this mode, all operations except the oscillator operation and some other circuits (flash memory and PLL) are stopped.
After the IDLE1 mode is released, the normal operation mode is restored without needing to secure the oscillation stabilization time, like the HALT mode.

IDLE2: In this mode, all operations except the oscillator operation are stopped.
After the IDLE2 mode is released, the normal operation mode is restored following the lapse of the setup time specified by the OSTS register (flash memory and PLL).

STOP: In this mode, all operations except the subclock oscillator operation are stopped.
After the STOP mode is released, the normal operation mode is restored following the lapse of the oscillation stabilization time specified by the OSTS register.

Sub-IDLE: In this mode, all other operations are halted except for the oscillator. After the IDLE mode has been released by the interrupt request signal, the subclock operation mode will be restored after 12 cycles of the subclock have been secured.

(3) Oscillation stabilization time select register (OSTS)

The wait time until the oscillation stabilizes after the STOP mode is released or the wait time until the on-chip flash memory stabilizes after the IDLE2 mode is released is controlled by the OSTS register.

The OSTS register can be read or written 8-bit units.

Reset sets this register to 06H.

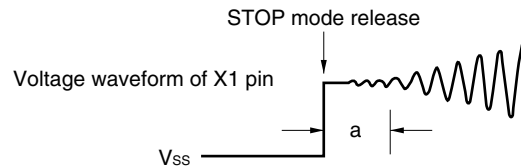
After reset: 06H R/W Address: FFFFF6C0H

	7	6	5	4	3	2	1	0
OSTS	0	0	0	0	0	OSTS2	OSTS1	OSTS0

OSTS2	OSTS1	OSTS0	Selection of oscillation stabilization time/setup time ^{Note}	f _x	
				4 MHz	5 MHz
				0	0
0	0	1	2 ¹¹ /f _x	0.512 ms	0.410 ms
0	1	0	2 ¹² /f _x	1.024 ms	0.819 ms
0	1	1	2 ¹³ /f _x	2.048 ms	1.638 ms
1	0	0	2 ¹⁴ /f _x	4.096 ms	3.277 ms
1	0	1	2 ¹⁵ /f _x	8.192 ms	6.554 ms
1	1	0	2 ¹⁶ /f _x	16.38 ms	13.107 ms
1	1	1	Setting prohibited		

Note The oscillation stabilization time and setup time are required when the STOP mode and IDLE2 mode are released, respectively.

Cautions 1. The wait time following release of the STOP mode does not include the time until the clock oscillation starts (“a” in the figure below) following release of the STOP mode, regardless of whether the STOP mode is released by reset or the occurrence of an interrupt request signal.



2. Be sure to clear bits 3 to 7 to “0”.
3. The oscillation stabilization time following reset release is 2¹⁶/f_x (because the initial value of the OSTS register = 06H).

Remark f_x = Main clock oscillation frequency

18.3 HALT Mode

18.3.1 Setting and operation status

The HALT mode is set when a dedicated instruction (HALT) is executed in the normal operation mode.

In the HALT mode, the clock oscillator continues operating. Only clock supply to the CPU is stopped; clock supply to the other on-chip peripheral functions continues.

As a result, program execution is stopped, and the internal RAM retains the contents before the HALT mode was set. The on-chip peripheral functions that are independent of instruction processing by the CPU continue operating.

Table 18-3 shows the operating status in the HALT mode.

The average current consumption of the system can be reduced by using the HALT mode in combination with the normal operation mode for intermittent operation.

- Cautions**
1. **Insert five or more NOP instructions after the HALT instruction.**
 2. **If the HALT instruction is executed while an unmasked interrupt request signal is being held pending, the status shifts to HALT mode, but the HALT mode is then released immediately by the pending interrupt request.**

18.3.2 Releasing HALT mode

The HALT mode is released by a non-maskable interrupt request signal (NMI pin input, INTWDT2 signal), unmasked external interrupt request signal (INTP0 to INTP14 pin input), unmasked internal interrupt request signal from a peripheral function operable in the HALT mode, or reset signal (reset by $\overline{\text{RESET}}$ pin input, WDT2RES signal, power-on clear circuit (POC), low-voltage detector (LVI), or clock monitor (CLM)).

After the HALT mode has been released, the normal operation mode is restored.

(1) Releasing HALT mode by non-maskable interrupt request signal or unmasked maskable interrupt request signal

The HALT mode is released by a non-maskable interrupt request signal or an unmasked maskable interrupt request signal, regardless of the priority of the interrupt request signal. If the HALT mode is set in an interrupt servicing routine, however, an interrupt request signal that is issued later is serviced as follows.

- (a) If an interrupt request signal with a priority lower than that of the interrupt request currently being serviced is issued, the HALT mode is released, but that interrupt request signal is not acknowledged. The interrupt request signal itself is retained.
- (b) If an interrupt request signal with a priority higher than that of the interrupt request currently being serviced is issued (including a non-maskable interrupt request signal), the HALT mode is released and that interrupt request signal is acknowledged.

Table 18-2. Operation After Releasing HALT Mode by Interrupt Request Signal

Release Source	Interrupt Enabled (EI) Status	Interrupt Disabled (DI) Status
Non-maskable interrupt request signal	Execution branches to the handler address.	
Maskable interrupt request signal	Execution branches to the handler address or the next instruction is executed.	The next instruction is executed.

(2) Releasing HALT mode by reset

The same operation as the normal reset operation is performed.

Table 18-3. Operating Status in HALT Mode

Setting of HALT Mode		Operating Status	
		When Subclock Is Not Used	When Subclock Is Used
Main clock oscillator		Oscillation enabled	
Subclock oscillator		–	Oscillation enabled
Internal oscillator		Oscillation enabled	
PLL		Operable	
CPU		Stops operation	
DMA		Operable	
Interrupt controller		Operable	
Timer P (TMP0 to TMP3)		Operable	
Timer Q (TMQ0 to TMQ2)		Operable	
Timer M (TMM0)		Operable when a clock other than f_{XT} is selected as the count clock	Operable
Watch timer		Operable when f_x (divided BRG) is selected as the count clock	Operable
Watchdog timer 2		Operable	
Serial interface	CSIB0 to CSIB2	Operable	
	UARTA0 to UARTA3	Operable	
A/D converter		Operable	
Key interrupt function (KR)		Operable	
External bus interface		See 2.2 Pin States .	
Port function		Retains status before HALT mode was set	
Internal data		The CPU registers, statuses, data, and all other internal data such as the contents of the internal RAM are retained as they were before the HALT mode was set.	

18.4 IDLE1 Mode

18.4.1 Setting and operation status

The IDLE1 mode is set by clearing the PSMR.PSM1 and PSMR.PSM0 bits to 00 and setting the PSC.STP bit to 1 in the normal operation mode.

In the IDLE1 mode, the clock oscillator, PLL, and flash memory continue operating but clock supply to the CPU and other on-chip peripheral functions stops.

As a result, program execution stops and the contents of the internal RAM before the IDLE1 mode was set are retained. The CPU and other on-chip peripheral functions stop operating. However, the on-chip peripheral functions that can operate with the subclock or an external clock continue operating.

Table 18-5 shows the operating status in the IDLE1 mode.

The IDLE1 mode can reduce the power consumption more than the HALT mode because it stops the operation of the on-chip peripheral functions. The main clock oscillator does not stop, so the normal operation mode can be restored without waiting for the oscillation stabilization time after the IDLE1 mode has been released, in the same manner as when the HALT mode is released.

- Cautions**
1. **Insert five or more NOP instructions after the instruction that stores data in the PSC register to set the IDLE1 mode.**
 2. **If the IDLE1 mode is set while an unmasked interrupt request signal is being held pending, the IDLE1 mode is released immediately by the pending interrupt request.**

18.4.2 Releasing IDLE1 mode

The IDLE1 mode is released by a non-maskable interrupt request signal (NMI pin input, INTWDT2 signal), unmasked external interrupt request signal (INTP0 to INTP14 pin input), unmasked internal interrupt request signal from a peripheral function operable in the IDLE1 mode, or reset signal (reset by $\overline{\text{RESET}}$ pin input, WDT2RES signal, power-on clear circuit (POC), low-voltage detector (LVI), or clock monitor (CLM)).

After the IDLE1 mode has been released, the normal operation mode is restored.

(1) Releasing IDLE1 mode by non-maskable interrupt request signal or unmasked maskable interrupt request signal

The IDLE1 mode is released by a non-maskable interrupt request signal or an unmasked maskable interrupt request signal, regardless of the priority of the interrupt request signal. If the IDLE1 mode is set in an interrupt servicing routine, however, an interrupt request signal that is issued later is processed as follows.

- Cautions**
1. **An interrupt request signal that is disabled by setting the PSC.NMI1M, PSC.NMI0M, and PSC.INTM bits to 1 becomes invalid and IDLE1 mode is not released.**
 2. **If eliminating digital noise is selected by using the NFC register and if the sampling clock is selected from $f_{xx}/64$, $f_{xx}/128$, $f_{xx}/256$, $f_{xx}/512$, and $f_{xx}/1024$, the IDLE1 mode cannot be released by the interrupt request signal of the INTP3 pin. For details, see 16.6.2 (7) Noise elimination control register (NFC).**
 - (a) If an interrupt request signal with a priority lower than that of the interrupt request currently being serviced is issued, the IDLE1 mode is released, but that interrupt request signal is not acknowledged. The interrupt request signal itself is retained.
 - (b) If an interrupt request signal with a priority higher than that of the interrupt request currently being serviced is issued (including a non-maskable interrupt request signal), the IDLE1 mode is released and that interrupt request signal is acknowledged.

Table 18-4. Operation After Releasing IDLE1 Mode by Interrupt Request Signal

Release Source	Interrupt Enabled (EI) Status	Interrupt Disabled (DI) Status
Non-maskable interrupt request signal	Execution branches to the handler address.	
Maskable interrupt request signal	Execution branches to the handler address or the next instruction is executed.	The next instruction is executed.

(2) Releasing IDLE1 mode by reset

The same operation as the normal reset operation is performed.

Table 18-5. Operating Status in IDLE1 Mode

Setting of IDLE1 Mode		Operating Status	
		When Subclock Is Not Used	When Subclock Is Used
Main clock oscillator		Oscillation enabled	
Subclock oscillator		–	Oscillation enabled
Internal oscillator		Oscillation enabled	
PLL		Operable	
CPU		Stops operation	
DMA		Stops operation	
Interrupt controller		Stops operation (but standby mode release is possible)	
Timer P (TMP0 to TMP3)		Stops operation	
Timer Q (TMQ0 to TMQ2)		Stops operation	
Timer M (TMM0)		Operable when $f_{R/8}$ is selected as the count clock	Operable when $f_{R/8}$ or f_{XT} is selected as the count clock
Watch timer		Operable when f_x (divided BRG) is selected as the count clock	Operable
Watchdog timer 2		Operable	
Serial interface	CSIB0 to CSIB2	Operable when the \overline{SCKBn} input clock is selected as the count clock ($n = 0$ to 2)	
	UARTA0 to UARTA3	Stops operation (but UARTA0 is operable when the ASCKA0 input clock is selected)	
A/D converter		Holds operation (conversion result held) ^{Note}	
Key interrupt function (KR)		Operable	
External bus interface		See 2.2 Pin States .	
Port function		Retains status before IDLE1 mode was set	
Internal data		The CPU registers, statuses, data, and all other internal data such as the contents of the internal RAM are retained as they were before the IDLE1 mode was set.	

Note To realize low power consumption, stop the A/D converter before shifting to the IDLE1 mode.

18.5 IDLE2 Mode

18.5.1 Setting and operation status

The IDLE2 mode is set by setting the PSMR.PSM1 and PSMR.PSM0 bits to 10 and setting the PSC.STP bit to 1 in the normal operation mode.

In the IDLE2 mode, the clock oscillator continues operation but clock supply to the CPU, PLL, flash memory, and other on-chip peripheral functions stops.

As a result, program execution stops and the contents of the internal RAM before the IDLE2 mode was set are retained. The CPU, PLL, and other on-chip peripheral functions stop operating. However, the on-chip peripheral functions that can operate with the subclock or an external clock continue operating.

Table 18-7 shows the operating status in the IDLE2 mode.

The IDLE2 mode can reduce the power consumption more than the IDLE1 mode because it stops the operations of the on-chip peripheral functions, PLL, and flash memory. However, because the PLL and flash memory are stopped, a setup time for the PLL and flash memory is required when IDLE2 mode is released.

- Cautions 1. Insert five or more NOP instructions after the instruction that stores data in the PSC register to set the IDLE2 mode.**
- 2. If the IDLE2 mode is set while an unmasked interrupt request signal is being held pending, the IDLE2 mode is released immediately by the pending interrupt request.**

18.5.2 Releasing IDLE2 mode

The IDLE2 mode is released by a non-maskable interrupt request signal (NMI pin input, INTWDT2 signal), unmasked external interrupt request signal (INTP0 to INTP14 pin input), unmasked internal interrupt request signal from the peripheral functions operable in the IDLE2 mode, or reset signal (reset by $\overline{\text{RESET}}$ pin input, WDT2RES signal, power-on clear circuit (POC), low-voltage detector (LVI), or clock monitor (CLM)). The PLL returns to the operating status it was in before the IDLE2 mode was set.

After the IDLE2 mode has been released, the normal operation mode is restored.

(1) Releasing IDLE2 mode by non-maskable interrupt request signal or unmasked maskable interrupt request signal

The IDLE2 mode is released by a non-maskable interrupt request signal or an unmasked maskable interrupt request signal, regardless of the priority of the interrupt request signal. If the IDLE2 mode is set in an interrupt servicing routine, however, an interrupt request signal that is issued later is processed as follows.

- Cautions 1. The interrupt request signal that is disabled by setting the PSC.NMI1M, PSC.NMI0M, and PSC.INTM bits to 1 becomes invalid and IDLE2 mode is not released.**
- 2. If eliminating digital noise is selected by using the NFC register and if the sampling clock is selected from $f_{xx}/64$, $f_{xx}/128$, $f_{xx}/256$, $f_{xx}/512$, and $f_{xx}/1024$, the IDLE2 mode cannot be released by the interrupt request signal of the INTP3 pin. For details, see 16.6.2 (7) Noise elimination control register (NFC).**
- (a) If an interrupt request signal with a priority lower than that of the interrupt request currently being serviced is issued, the IDLE2 mode is released, but that interrupt request signal is not acknowledged. The interrupt request signal itself is retained.
- (b) If an interrupt request signal with a priority higher than that of the interrupt request currently being serviced is issued (including a non-maskable interrupt request signal), the IDLE2 mode is released and that interrupt request signal is acknowledged.

Table 18-6. Operation After Releasing IDLE2 Mode by Interrupt Request Signal

Release Source	Interrupt Enabled (EI) Status	Interrupt Disabled (DI) Status
Non-maskable interrupt request signal	Execution branches to the handler address after securing the prescribed setup time.	
Maskable interrupt request signal	Execution branches to the handler address or the next instruction is executed after securing the prescribed setup time.	The next instruction is executed after securing the prescribed setup time.

(2) Releasing IDLE2 mode by reset

The same operation as the normal reset operation is performed.

Table 18-7. Operating Status in IDLE2 Mode

Item	Setting of IDLE2 Mode	Operating Status	
		When Subclock Is Not Used	When Subclock Is Used
Main clock oscillator		Oscillation enabled	
Subclock oscillator		–	Oscillation enabled
Internal oscillator		Oscillation enabled	
PLL		Stops operation	
CPU		Stops operation	
DMA		Stops operation	
Interrupt controller		Stops operation (but standby mode release is possible)	
Timer P (TMP0 to TMP3)		Stops operation	
Timer Q (TMQ0 to TMQ2)		Stops operation	
Timer M (TMM0)		Operable when $f_{R/8}$ is selected as the count clock	Operable when $f_{R/8}$ or f_{XT} is selected as the count clock
Watch timer		Operable when f_x (divided BRG) is selected as the count clock	Operable
Watchdog timer 2		Operable	
Serial interface	CSIB0 to CSIB2	Operable when the $SCKB_n$ input clock is selected as the count clock ($n = 0$ to 2)	
	UARTA0 to UARTA3	Stops operation (but UARTA0 is operable when the ASCKA0 input clock is selected)	
A/D converter		Holds operation (conversion result held) ^{Note}	
Key interrupt function (KR)		Operable	
External bus interface		See 2.2 Pin States .	
Port function		Retains status before IDLE2 mode was set	
Internal data		The CPU registers, statuses, data, and all other internal data such as the contents of the internal RAM are retained as they were before the IDLE2 mode was set.	

Note To realize low power consumption, stop the A/D converter before shifting to the IDLE2 mode.

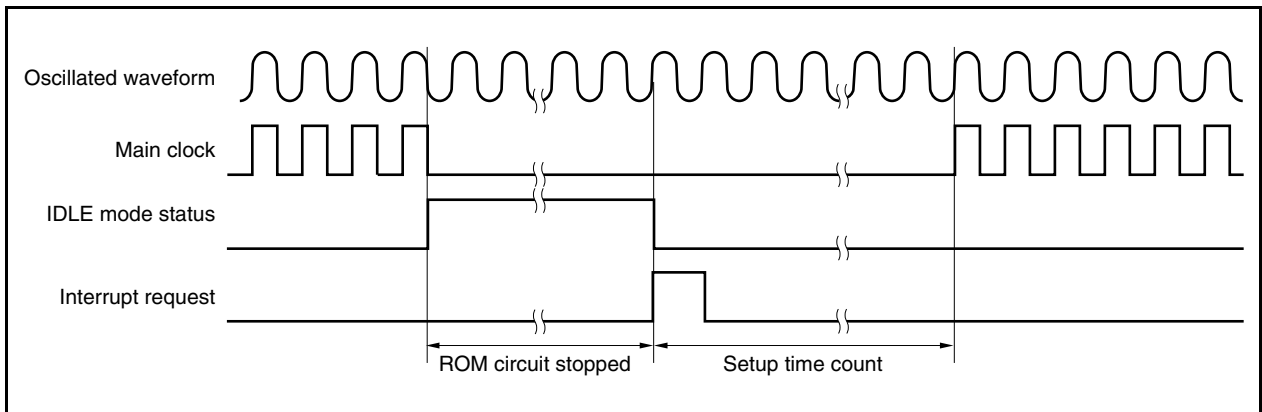
18.5.3 Securing setup time when releasing IDLE2 mode

Secure the setup time for the ROM (flash memory) after releasing the IDLE2 mode because the operation of the blocks other than the main clock oscillator stops after the IDLE2 mode is set.

(1) Releasing IDLE2 mode by non-maskable interrupt request signal or unmasked maskable interrupt request signal

Secure the specified setup time by setting the OSTS register.

When the releasing source is generated, the dedicated internal timer starts counting according to the OSTS register setting. When it overflows, the normal operation mode is restored.



(2) Release by reset ($\overline{\text{RESET}}$ pin input, WDT2RES generation)

This operation is the same as that of a normal reset.

The oscillation stabilization time is the initial value of the OSTS register, $2^{16}/f_x$.

18.6 STOP Mode

18.6.1 Setting and operation status

The STOP mode is set by setting the PSMR.PSM1 and PSMR.PSM0 bits to 01 or 11 and setting the PSC.STP bit to 1 in the normal operation mode.

In the STOP mode, the subclock oscillator continues operating but the main clock oscillator stops. Clock supply to the CPU and the on-chip peripheral functions is stopped.

As a result, program execution stops, and the contents of the internal RAM before the STOP mode was set are retained. The on-chip peripheral functions that operate with the clock oscillated by the subclock oscillator or an external clock continue operating.

Table 18-9 shows the operating status in the STOP mode.

Because the STOP mode stops operation of the main clock oscillator, it reduces the power consumption to a level lower than the IDLE2 mode. If the subclock oscillator, internal oscillator, and external clock are not used, the power consumption can be minimized with only leakage current flowing.

- Cautions**
- 1. Insert five or more NOP instructions after the instruction that stores data in the PSC register to set the STOP mode.**
 - 2. If the STOP mode is set while an unmasked interrupt request signal is being held pending, the STOP mode is released immediately by the pending interrupt request.**

18.6.2 Releasing STOP mode

The STOP mode is released by a non-maskable interrupt request signal (NMI pin input, INTWDT2 signal), unmasked external interrupt request signal (INTP0 to INTP14 pin input), unmasked internal interrupt request signal from the peripheral functions operable in the STOP mode, or reset signal (reset by $\overline{\text{RESET}}$ pin input, WDT2RES signal, power-on clear circuit (POC), or low-voltage detector (LVI)).

After the STOP mode has been released, the normal operation mode is restored after the oscillation stabilization time has been secured.

- Cautions**
- 1. The interrupt request that is disabled by setting the PSC.NMI1M, PSC.NMI0M, and PSC.INTM bits to 1 becomes invalid and STOP mode is not released.**
 - 2. If eliminating digital noise is selected by using the NFC register and if the sampling clock is selected from fxx/64, fxx/128, fxx/256, fxx/512, and fxx/1024, the STOP mode cannot be released by the interrupt request signal of the INTP3 pin. For details, see 16.6.2 (7) Noise elimination control register (NFC).**

(1) Releasing STOP mode by non-maskable interrupt request signal or unmasked maskable interrupt request signal

The STOP mode is released by a non-maskable interrupt request signal or an unmasked maskable interrupt request signal, regardless of the priority of the interrupt request signal. If the STOP mode is set in an interrupt servicing routine, however, an interrupt request signal that is issued later is serviced as follows.

- If an interrupt request signal with a priority lower than that of the interrupt request currently being serviced is issued, the STOP mode is released, but that interrupt request signal is not acknowledged. The interrupt request signal itself is retained.
- If an interrupt request signal with a priority higher than that of the interrupt request currently being serviced is issued (including a non-maskable interrupt request signal), the STOP mode is released and that interrupt request signal is acknowledged.

Table 18-8. Operation After Releasing STOP Mode by Interrupt Request Signal

Release Source	Interrupt Enabled (EI) Status	Interrupt Disabled (DI) Status
Non-maskable interrupt request signal	Execution branches to the handler address after securing the oscillation stabilization time.	
Maskable interrupt request signal	Execution branches to the handler address or the next instruction is executed after securing the oscillation stabilization time.	The next instruction is executed after securing the oscillation stabilization time.

(2) Releasing STOP mode by reset

The same operation as the normal reset operation is performed.

Table 18-9. Operating Status in STOP Mode

Setting of STOP Mode		Operating Status	
		When Subclock Is Not Used	When Subclock Is Used
Item			
Main clock oscillator	Stops oscillation		
Subclock oscillator	–	Oscillation enabled	
Internal oscillator	Oscillation enabled		
PLL	Stops operation		
CPU	Stops operation		
DMA	Stops operation		
Interrupt controller	Stops operation (but standby mode release is possible)		
Timer P (TMP0 to TMP3)	Stops operation		
Timer Q (TMQ0 to TMQ2)	Stops operation		
Timer M (TMM0)	Operable when $f_{R/8}$ is selected as the count clock	Operable when $f_{R/8}$ or f_{XT} is selected as the count clock	
Watch timer	Stops operation	Operable when f_{XT} is selected as the count clock	
Watchdog timer 2	Operable when f_{R} is selected as the count clock		
Serial interface	CSIB0 to CSIB2	Operable when the \overline{SCKBn} input clock is selected as the count clock ($n = 0$ to 2)	
	UARTA0 to UARTA3	Stops operation (but UARTA0 is operable when the ASCKA0 input clock is selected)	
A/D converter	Stops operation (conversion result undefined) ^{Notes 1, 2}		
Key interrupt function (KR)	Operable		
External bus interface	See 2.2 Pin States .		
Port function	Retains status before STOP mode was set		
Internal data	The CPU registers, statuses, data, and all other internal data such as the contents of the internal RAM are retained as they were before the STOP mode was set.		

Notes 1. If the STOP mode is set while the A/D converter is operating, the A/D converter is automatically stopped and starts operating again after the STOP mode is released. However, in that case, the A/D conversion results after the STOP mode is released are invalid. All the A/D conversion results before the STOP mode is set are invalid.

2. Even if the STOP mode is set while the A/D converter is operating, the power consumption is reduced equivalently to when the A/D converter is stopped before the STOP mode is set.

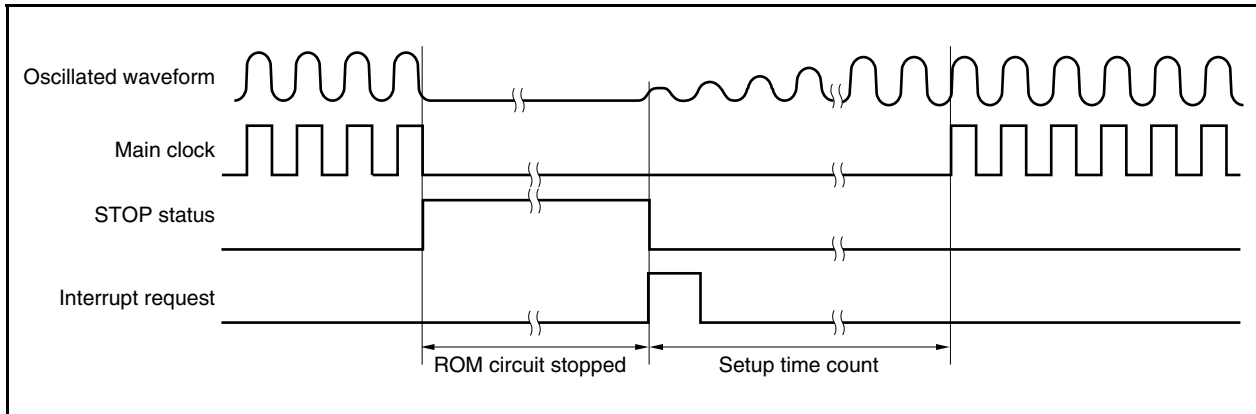
18.6.3 Securing oscillation stabilization time when releasing STOP mode

Secure the oscillation stabilization time for the main clock oscillator after releasing the STOP mode because the operation of the main clock oscillator stops after STOP mode is set.

(1) Releasing STOP mode by non-maskable interrupt request signal or unmasked maskable interrupt request signal

Secure the oscillation stabilization time by setting the OSTS register.

When the releasing source is generated, the dedicated internal timer starts counting according to the OSTS register setting. When it overflows, the normal operation mode is restored.



(2) Release by reset

This operation is the same as that of a normal reset.

The oscillation stabilization time is the initial value of the OSTS register, $2^{16}/f_x$.

18.7 Subclock Operation Mode

18.7.1 Setting and operation status

The subclock operation mode is set by setting the PCC.CK3 bit to 1 in the normal operation mode.

When the subclock operation mode is set, the internal system clock is changed from the main clock to the subclock. Check whether the clock has been switched by using the PCC.CLS bit.

When the PCC.MCK bit is set to 1, the operation of the main clock oscillator is stopped. As a result, the system operates only on the subclock.

In the subclock operation mode, the power consumption can be reduced to a level lower than in the normal operation mode because the subclock is used as the internal system clock. In addition, the power consumption can be further reduced to the level of the STOP mode by stopping the operation of the main clock oscillator.

Table 18-10 shows the operating status in subclock operation mode.

- Cautions**
1. **When manipulating the CK3 bit, do not change the set values of the PCC.CK2 to PCC.CK0 bits (using a bit manipulation instruction to manipulate the bit is recommended). For details of the PCC register, see 6.3 (1) Processor clock control register (PCC).**
 2. **If the following conditions are not satisfied, change the CK2 to CK0 bits so that the conditions are satisfied and set the subclock operation mode.**
Internal system clock (f_{CLK}) > Subclock (f_{XT}) × 4

Remark Internal system clock (f_{CLK}): Clock generated from main clock (f_{XX}) in accordance with the settings of the CK2 to CK0 bits

18.7.2 Releasing subclock operation mode

The subclock operation mode is released by a reset signal (reset by \overline{RESET} pin input, WDT2RES signal, power-on clear circuit (POC), low-voltage detector (LVI), or clock monitor (CLM)) when the CK3 bit is cleared to 0.

If the main clock is stopped (MCK bit = 1), set the MCK bit to 1, secure the oscillation stabilization time of the main clock by software, and clear the CK3 bit to 0.

The normal operation mode is restored when the subclock operation mode is released.

- Caution** **When manipulating the CK3 bit, do not change the set values of the CK2 to CK0 bits (using a bit manipulation instruction to manipulate the bit is recommended).**
For details of the PCC register, see 6.3 (1) Processor clock control register (PCC).

Table 18-10. Operating Status in Subclock Operation Mode

Setting of Subclock Operation Mode Item		Operating Status	
		When Main Clock Is Oscillating	When Main Clock Is Stopped
Subclock oscillator		Oscillation enabled	
Internal oscillator		Oscillation enabled	
PLL		Operable	Stops operation ^{Note}
CPU		Operable	
DMA		Operable	
Interrupt controller		Operable	
Timer P (TMP0 to TMP3)		Operable	Stops operation
Timer Q (TMQ0 to TMQ2)		Operable	Stops operation
Timer M (TMM0)		Operable	Operable when $f_{R/8}$ or f_{XT} is selected as the count clock
Watch timer		Operable	Operable when f_{XT} is selected as the count clock
Watchdog timer 2		Operable	Operable when f_R is selected as the count clock
Serial interface	CSIB0 to CSIB2	Operable	Operable when the \overline{SCKBn} input clock is selected as the count clock ($n = 0$ to 2)
	UARTA0 to UARTA3	Operable	Stops operation (but UARTA0 is operable when the ASCKA0 input clock is selected)
A/D converter		Operable	Stops operation
Key interrupt function (KR)		Operable	
External bus interface		See 2.2 Pin States.	
Port function		Settable	
Internal data		Settable	

Note Be sure to stop the PLL (PLLCTL.PLLON = 0) before stopping the main clock.

Caution When the CPU is operating on the subclock and main clock oscillation is stopped, accessing a register in which a wait occurs is disabled. If a wait is generated, it can be released only by reset (see 3.4.8 (2)).

18.8 Sub-IDLE Mode

18.8.1 Setting and operation status

The sub-IDLE mode is set by setting the PSMR.PSM1 and PSMR.PSM0 bits to 10 and setting the PSC.STP bit to 1 in the subclock operation mode.

In this mode, the clock oscillator continues operating but clock supply to the CPU, flash memory, and the other on-chip peripheral functions is stopped.

As a result, program execution stops and the contents of the internal RAM before the sub-IDLE mode was set are retained. The CPU and the other on-chip peripheral functions are stopped. However, the on-chip peripheral functions that can operate with the subclock or an external clock continue operating.

Because the sub-IDLE mode stops operation of the CPU, flash memory, and other on-chip peripheral functions, it can reduce the power consumption more than the subclock operation mode. If the sub-IDLE mode is set after the main clock has been stopped, the current consumption can be reduced to a level as low as that in the STOP mode.

Table 18-12 shows the operating status in the sub-IDLE mode.

- Cautions**
- 1. Following the store instruction to set the PSC register to the sub-IDLE mode, insert five or more NOP instructions.**
 - 2. If the sub-IDLE mode is set while an unmasked interrupt request signal is being held pending, the sub-IDLE mode is then released immediately by the pending interrupt request.**

18.8.2 Releasing sub-IDLE mode

The sub-IDLE mode is released by a non-maskable interrupt request signal (NMI pin input, INTWDT2 signal), unmasked external interrupt request signal (INTP0 to INTP14 pin input), unmasked internal interrupt request signal from the peripheral functions operable in the sub-IDLE mode, or reset signal (reset by $\overline{\text{RESET}}$ pin input, WDT2RES signal, power-on clear circuit (POC), low-voltage detector (LVI), or clock monitor (CLM)). The PLL returns to the operating status it was in before the sub-IDLE mode was set.

When the sub-IDLE mode is released by an interrupt request signal, the subclock operation mode is set.

(1) Releasing sub-IDLE mode by non-maskable interrupt request signal or unmasked maskable interrupt request signal

The sub-IDLE mode is released by a non-maskable interrupt request signal or an unmasked maskable interrupt request signal, regardless of the priority of the interrupt request signal.

If the sub-IDLE mode is set in an interrupt servicing routine, however, an interrupt request signal that is issued later is serviced as follows.

Cautions 1. The interrupt request signal that is disabled by setting the PSC.NMI1M, PSC.NMI0M, and PSC.INTM bits to 1 becomes invalid and sub-IDLE mode is not released.

2. When the sub-IDLE mode is released, 12 cycles of the subclock (about 366 μs) elapse from when the interrupt request signal that releases the sub-IDLE mode is generated to when the mode is released.

3. If eliminating digital noise is selected by using the NFC register and if the sampling clock is selected from $f_{xx}/64$, $f_{xx}/128$, $f_{xx}/256$, $f_{xx}/512$, and $f_{xx}/1024$, the sub-IDLE mode cannot be released by the interrupt request signal of the INTP3 pin. For details, see 16.6.2 (7) Noise elimination control register (NFC).

(a) If an interrupt request signal with a priority lower than that of the interrupt request currently being serviced is issued, the sub-IDLE mode is released, but that interrupt request signal is not acknowledged. The interrupt request signal itself is retained.

(b) If an interrupt request signal with a priority higher than that of the interrupt request currently being serviced is issued (including a non-maskable interrupt request signal), the sub-IDLE mode is released and that interrupt request signal is acknowledged.

Table 18-11. Operation After Releasing Sub-IDLE Mode by Interrupt Request Signal

Release Source	Interrupt Enabled (EI) Status	Interrupt Disabled (DI) Status
Non-maskable interrupt request signal	Execution branches to the handler address.	
Maskable interrupt request signal	Execution branches to the handler address or the next instruction is executed.	The next instruction is executed.

(2) Releasing sub-IDLE mode by reset

The same operation as the normal reset operation is performed.

Table 18-12. Operating Status in Sub-IDLE Mode

Setting of Sub-IDLE Mode		Operating Status	
		When Main Clock Is Oscillating	When Main Clock Is Stopped
Subclock oscillator		Oscillation enabled	
Internal oscillator		Oscillation enabled	
PLL		Operable	Stops operation ^{Note 1}
CPU		Stops operation	
DMA		Stops operation	
Interrupt controller		Stops operation (but standby mode release is possible)	
Timer P (TMP0 to TMP3)		Stops operation	
Timer Q (TMQ0 to TMQ2)		Stops operation	
Timer M (TMM0)		Operable when $f_{R/8}$ or f_{XT} is selected as the count clock	
Watch timer		Stops operation	Operable when f_{XT} is selected as the count clock
Watchdog timer 2		Operable when f_{R} is selected as the count clock	
Serial interface	CSIB0 to CSIB2	Operable when the \overline{SCKBn} input clock is selected as the count clock ($n = 0$ to 2)	
	UARTA0 to UARTA3	Stops operation (but UARTA0 is operable when the ASCKA0 input clock is selected)	
A/D converter		Holds operation (conversion result held) ^{Note 2}	
Key interrupt function (KR)		Operable	
External bus interface		See 2.2 Pin States (same operation status as IDLE1, IDLE2 mode).	
Port function		Retains status before sub-IDLE mode was set	
Internal data		The CPU registers, statuses, data, and all other internal data such as the contents of the internal RAM are retained as they were before the sub-IDLE mode was set.	

Notes 1. Be sure to stop the PLL (PLLCTL.PLLON bit = 0) before stopping the main clock.

2. To realize low power consumption, stop the A/D converter before shifting to the sub-IDLE mode.

CHAPTER 19 RESET FUNCTIONS

19.1 Overview

The following reset functions are available.

(1) Four kinds of reset sources

- External reset input via the $\overline{\text{RESET}}$ pin
- Reset via the watchdog timer 2 (WDT2) overflow (WDT2RES)
- System reset via the comparison of the low-voltage detector (LVI) supply voltage and detected voltage
- System reset via the detecting clock monitor (CLM) oscillation stop
- System reset via the power-on clear circuit

After a reset is released, the source of the reset can be confirmed with the reset source flag register (RESF).

(2) Emergency operation mode

If the WDT2 overflows during the main clock oscillation stabilization time inserted after reset, a main clock oscillation anomaly is judged and the CPU starts operating on the internal oscillation clock.

Caution When the CPU is being operated with the internal oscillation clock, access to the register in which a wait state is generated is prohibited. For the register in which a wait state is generated, see 3.4.8 (2) Accessing specific on-chip peripheral I/O registers.

19.2 Registers to Check Reset Source

The V850ES/HJ2 has four kinds of reset sources. After a reset has been released, the source of the reset that occurred can be checked with the reset source flag register (RESF).

(1) Reset source flag register (RESF)

The RESF register is a special register that can be written only by a combination of specific sequences (see **3.4.7 Special registers**).

The RESF register indicates the source from which a reset signal is generated.

This register is read or written in 8-bit or 1-bit units.

$\overline{\text{RESET}}$ pin input or POC reset sets this register to 00H. The default value differs if the source of reset is other than the $\overline{\text{RESET}}$ pin signal.

After reset: 00H^{Note} R/W Address: FFFFF888H

	7	6	5	4	3	2	1	0
RESF	0	0	0	WDT2RF	0	0	CLMRF	LVIRF

WDT2RF	Reset signal from WDT2
0	Not generated
1	Generated

CLMRF	Reset signal from CLM
0	Not generated
1	Generated

LVIRF	Reset signal from LVI
0	Not generated
1	Generated

Note The value of the RESF register is cleared to 00H when a reset is executed via the $\overline{\text{RESET}}$ pin. When a reset is executed by watchdog timer 2 (WDT2), low-voltage detector (LVI), or clock monitor (CLM), the reset flags of this register (WDT2RF bit, CLMRF bit, and LVIRF bit) are set. However, other sources are retained.

Caution Only “0” can be written to each bit of this register. If writing “0” conflicts with setting the flag (occurrence of reset), setting the flag takes precedence.

19.3 Operation

19.3.1 Reset operation via $\overline{\text{RESET}}$ pin

When a low level is input to the $\overline{\text{RESET}}$ pin, the system is reset, and each hardware unit is initialized.

When the level of the $\overline{\text{RESET}}$ pin is changed from low to high, the reset status is released.

Table 19-1. Hardware Status on $\overline{\text{RESET}}$ Pin Input

Item	During Reset	After Reset
Main clock oscillator (f_x)	Oscillation stops	Oscillation starts
Subclock oscillator (f_{XT})	Crystal oscillation	Oscillation continues
	RC oscillation	Oscillation stops Oscillation starts
Internal oscillator	Oscillation stops	Oscillation starts
Peripheral clock (f_x to $f_x/1,024$)	Operation stops	Operation starts after securing oscillation stabilization time
Internal system clock (f_{CLK}), CPU clock (f_{CPU})	Operation stops	Operation starts after securing oscillation stabilization time (initialized to $f_x/8$)
CPU	Initialized	Program execution starts after securing oscillation stabilization time
Watchdog timer 2	Operation stops (initialized to 0)	Operation starts
Internal RAM	Undefined if power-on reset or CPU access and reset input conflict (data is damaged). Otherwise value immediately after reset input is retained ^{Note 1} .	
I/O lines (ports/alternate-function pins)	High impedance ^{Note 2}	
On-chip peripheral I/O registers	Initialized to specified status, OCDM register is set (01H).	
Other on-chip peripheral functions	Operation stops	Operation can be started after securing oscillation stabilization time

<R> **Notes 1.** The firmware of the V850ES/HJ2 uses a part of the internal RAM after the internal system reset status has been released because it supports a boot swap function. Therefore, the contents of some internal RAM areas are not retained after power-on reset. For details, see **19.4 Operation After Reset Release**.

2. When the power is turned on, the following pin may output an undefined level temporarily even during reset.

- P53/KR3/TIQ00/TOQ00/DDO pin

Caution The OCDM register is initialized by the $\overline{\text{RESET}}$ pin input. Therefore, note with caution that, if a high level is input to the P05/ $\overline{\text{DRST}}$ pin after a reset release before the OCDM.OCDM0 bit is cleared, the on-chip debug mode is entered. For details, see CHAPTER 4 PORT FUNCTIONS.

Figure 19-1. Timing of Reset Operation by $\overline{\text{RESET}}$ Pin Input

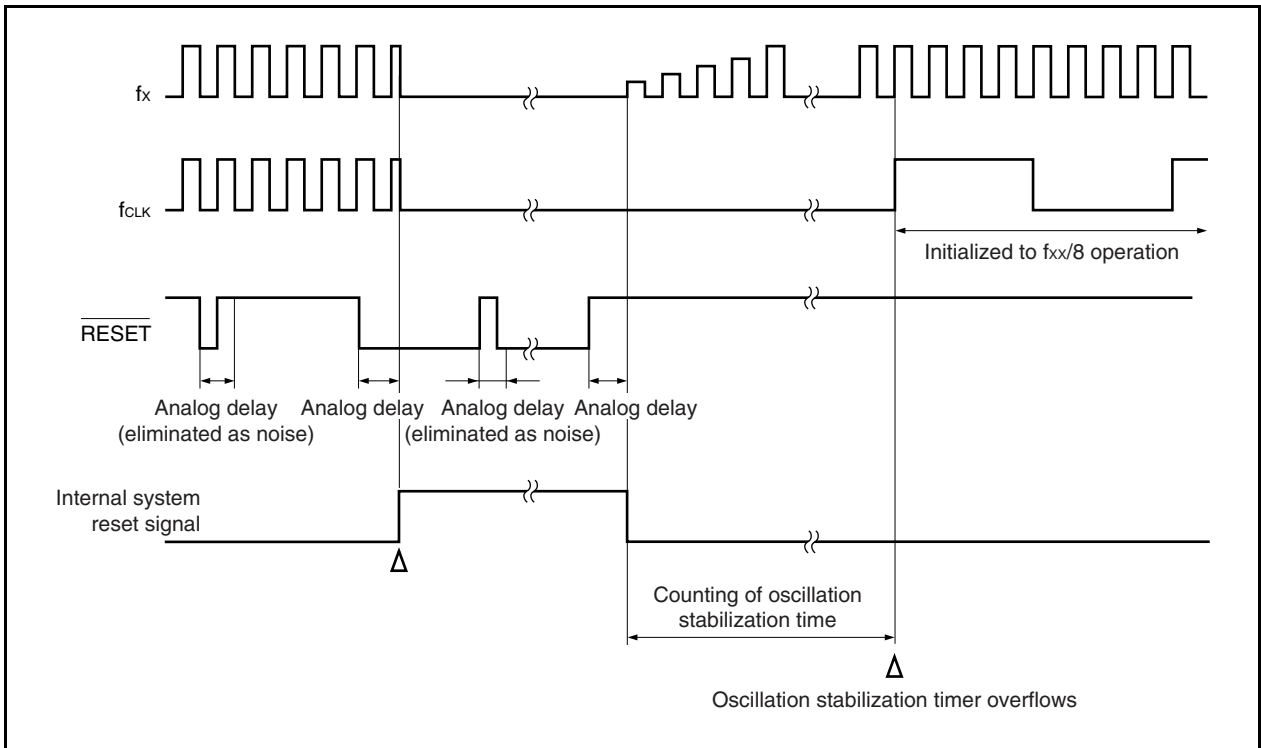
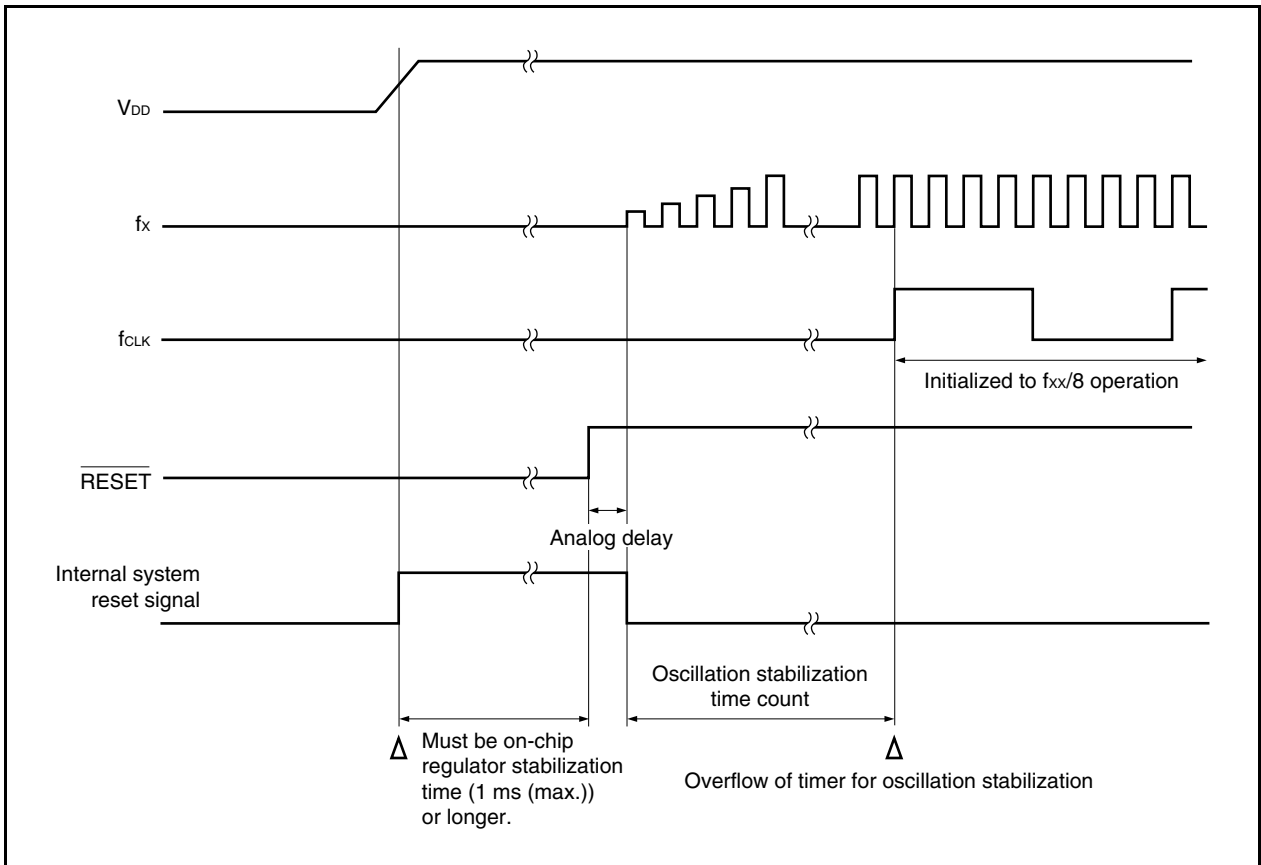


Figure 19-2. Timing of Power-on Reset Operation



19.3.2 Reset operation by watchdog timer 2

When watchdog timer 2 is set to the reset operation mode due to overflow, upon watchdog timer 2 overflow (WDT2RES signal generation), a system reset is executed and the hardware is initialized to the initial status.

Following watchdog timer 2 overflow, the reset status is entered and lasts the predetermined time (analog delay), and the reset status is then automatically released.

The main clock oscillator is stopped during the reset period.

Table 19-2. Hardware Status During Watchdog Timer 2 Reset Operation

Item		During Reset	After Reset
Main clock oscillator (f_x)		Oscillation stops	Oscillation starts
Subclock oscillator (f_{XT})	Crystal oscillation	Oscillation continues	
	RC oscillation	Oscillation stops	Oscillation starts
Internal oscillator		Oscillation stops	Oscillation starts
Peripheral clock (f_{xx} to $f_{xx}/1,024$)		Operation stops	Operation starts after securing oscillation stabilization time
Internal system clock (f_{xx}), CPU clock (f_{CPU})		Operation stops	Operation starts after securing oscillation stabilization time (initialized to $f_{xx}/8$)
CPU		Initialized	Program execution after securing oscillation stabilization time
Watchdog timer 2		Operation stops (initialized to 0)	Operation starts
Internal RAM		Undefined if power-on reset or CPU access and reset input conflict (data is damaged). Otherwise value immediately after reset input is retained ^{Note} .	
I/O lines (ports/alternate-function pins)		High impedance	
On-chip peripheral I/O register		Initialized to specified status, OCDM register retains its value.	
On-chip peripheral functions other than above		Operation stops	Operation can be started after securing oscillation stabilization time.

<R> **Note** The firmware of the V850ES/HJ2 uses a part of the internal RAM after the internal system reset status has been released because it supports a boot swap function. Therefore, the contents of some internal RAM areas are not retained after power-on reset. For details, see **19.4 Operation After Reset Release**.

19.3.3 Reset operation by power-on clear circuit

The supply voltage and detection voltage are compared when the power-on clear operation is enabled. If the supply voltage drops below the detection voltage (including when power is applied), the system is reset and each hardware unit is initialized to the default status.

The reset status lasts since the voltage drop has been detected until the supply voltage rises above the detection voltage, and then is automatically cleared. After the reset status is cleared, time to stabilize oscillation of the main clock oscillator (default value of OSTS register: $2^{16}/f_x$) elapses, and then the CPU starts program execution. For details, see **CHAPTER 21 POWER-ON CLEAR CIRCUIT**.

19.3.4 Reset operation by low-voltage detector

When LVI operation is enabled and when the LVIM.LVIMD bit is set to “1”, the supply voltage and detection voltage are compared. If the supply voltage drops below the detection voltage, the system is reset and each hardware unit is initialized to the default status.

The reset status lasts from detection of the voltage drop until the supply voltage rises above the detection voltage, and then is automatically cleared. After the reset status is cleared, time to stabilize oscillation of the main clock oscillator (default value of OSTS register: $2^{16}/f_x$) elapses, and then the CPU starts program execution.

For details, see **CHAPTER 22 LOW-VOLTAGE DETECTOR**.

19.3.5 Reset operation by clock monitor

When the clock monitor operation is enabled, the main clock is monitored by using the sampling clock (internal oscillator). If stoppage of the main clock is detected, the system is reset and each hardware unit is initialized to the default status.

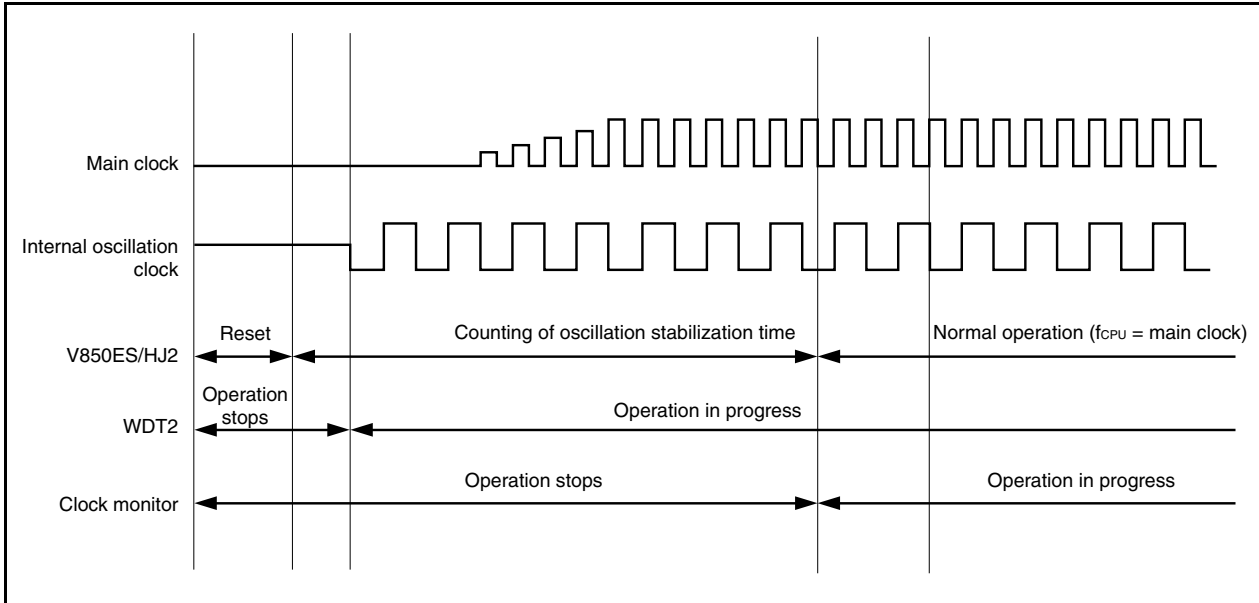
For details, see **CHAPTER 20 CLOCK MONITOR**.

<R> **19.4 Operation After Reset Release**

After the reset is released, the main clock starts oscillation and oscillation stabilization time (OSTS register initial value: $2^{16}/f_x$) is secured, and the CPU starts program execution.

WDT2 immediately begins to operate after a reset has been released using the internal oscillation clock as a source clock.

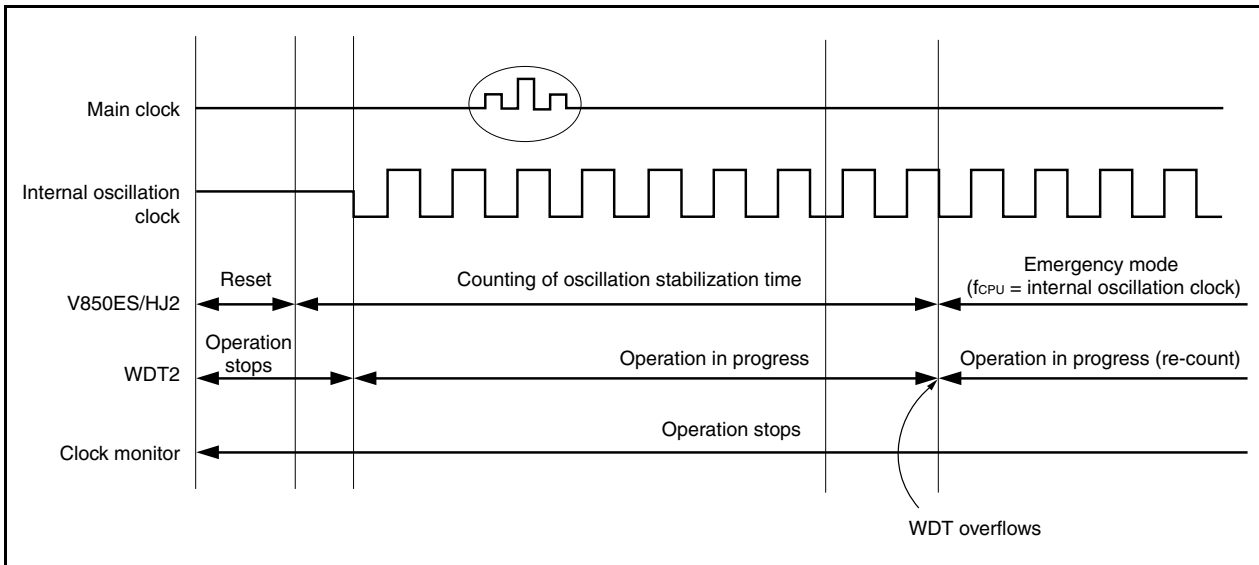
Figure 19-3. Operation After Reset Release



(1) Emergent operation mode

If an anomaly occurs in the main clock before oscillation stabilization time is secured, the WDT2 overflows before executing the CPU program. At this time, the CPU starts program execution by using the internal oscillation clock as the source clock.

Figure 19-4. Operation After Reset Release

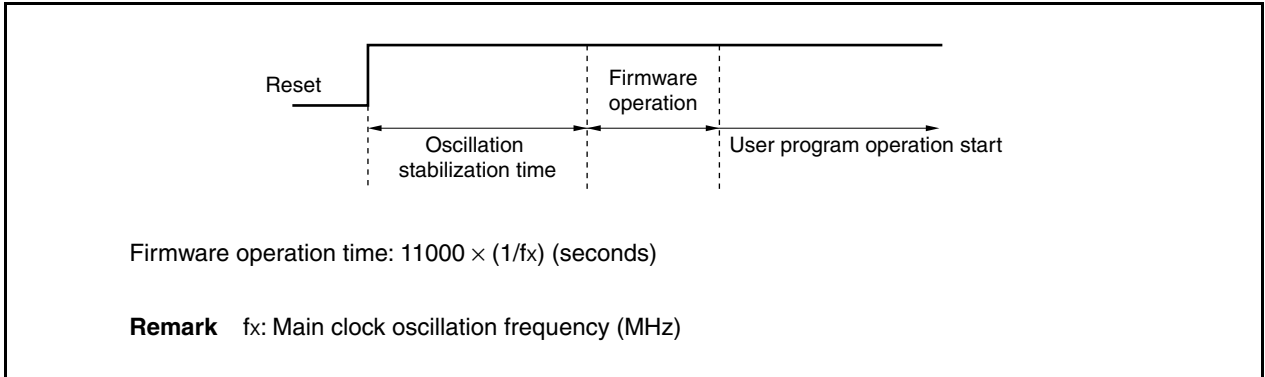


The CPU operation clock states can be checked with the CPU operation clock status register (CCLS).

(2) Firmware operation

In the V850ES/HJ2, after a reset is released, the on-chip firmware operates before starting the user program to support the boot switch function.

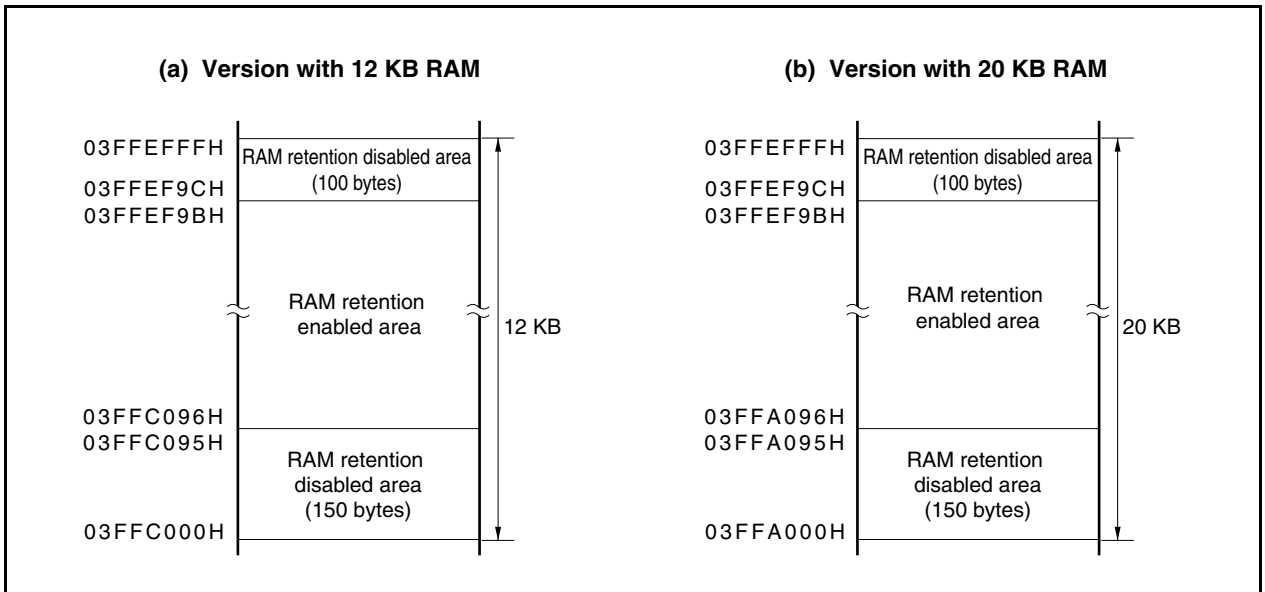
Figure 19-5. Firmware Operation



Since the firmware uses a portion of the internal RAM, the contents of the following RAM areas are not retained through a reset even in power on status.

- Version with 12 KB RAM: 03FFC000H to 03FFC095H, 03FFEF9CH to 03FFFFFFFFH
- Version with 20 KB RAM: 03FFFA000H to 03FFFA095H, 03FFEF9CH to 03FFFFFFFFH

Figure 19-6. RAM Retention Enabled Area



CHAPTER 20 CLOCK MONITOR

20.1 Functions

The clock monitor samples the main clock by using the internal oscillation clock and generates a reset request signal when oscillation of the main clock is stopped.

Once the operation of the clock monitor has been enabled by an operation enable flag, it cannot be cleared to 0 by any means other than reset.

When a reset by the clock monitor occurs, the RESF.CLMRF bit is set. For details on the RESF register, see **19.2 Registers to Check Reset Source**.

The clock monitor automatically stops under the following conditions.

- During oscillation stabilization time after STOP mode is released
- When the main clock is stopped (from when the PCC.MCK bit = 1 during subclock operation, until the PCC.CLS bit = 0 during main clock operation)
- When the sampling clock (internal oscillation clock) is stopped
- When the CPU operates with the internal oscillation clock

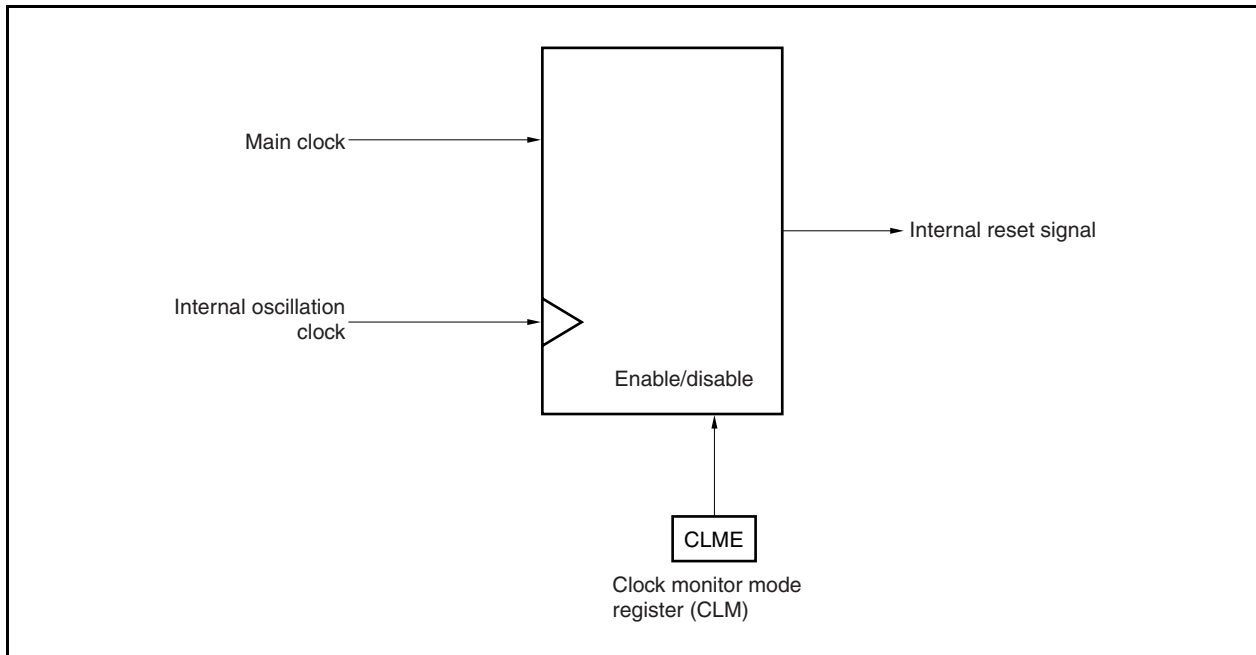
20.2 Configuration

The clock monitor includes the following hardware.

Table 20-1. Configuration of Clock Monitor

Item	Configuration
Control register	Clock monitor mode register (CLM)

Figure 20-1. Block Diagram of Clock Monitor



20.3 Register

The clock monitor is controlled by the clock monitor mode register (CLM).

(1) Clock monitor mode register (CLM)

The CLM register is a special register. This can be written only in a special combination of sequences (see **3.4.7 Special registers**).

This register is used to set the operation mode of the clock monitor.

This register can be read or written in 8-bit or 1-bit units.

Reset sets this register to 00H.

	After reset: 00H	R/W	Address: FFFFF870H					
	7	6	5	4	3	2	1	0
CLM	0	0	0	0	0	0	0	CLME
	CLME	Clock monitor operation enable or disable						
	0	Disable clock monitor operation.						
	1	Enable clock monitor operation.						

- Cautions**
1. Once the CLME bit has been set to 1, it cannot be cleared to 0 by any means other than reset.
 2. When a reset by the clock monitor occurs, the CLME bit is cleared to 0 and the RESF.CLMRF bit is set to 1.

20.4 Operation

This section explains the functions of the clock monitor. The start and stop conditions are as follows.

<Start condition>

Enabling operation by setting the CLM.CLME bit to 1

<Stop conditions>

- While oscillation stabilization time is being counted after STOP mode is released
- When the main clock is stopped (from when PCC.MCK bit = 1 during subclock operation to when PCC.CLS bit = 0 during main clock operation)
- When the sampling clock (internal oscillation clock) is stopped
- When the CPU operates using the internal oscillation clock

**Table 20-2. Operation Status of Clock Monitor
(When CLM.CLME Bit = 1, During Internal Oscillation Clock Operation)**

CPU Operating Clock	Operation Mode	Status of Main Clock	Status of Internal Oscillation Clock	Status of Clock Monitor
Main clock	HALT mode	Oscillates	Oscillates ^{Note 1}	Operates ^{Note 2}
	IDLE1, IDLE2 modes	Oscillates	Oscillates ^{Note 1}	Operates ^{Note 2}
	STOP mode	Stops	Oscillates ^{Note 1}	Stops
Subclock (MCK bit of PCC register = 0)	Sub-IDLE mode	Oscillates	Oscillates ^{Note 1}	Operates ^{Note 2}
Subclock (MCK bit of PCC register = 1)	Sub-IDLE mode	Stops	Oscillates ^{Note 1}	Stops
Internal oscillation clock	–	Stops	Oscillates ^{Note 1}	Stops
During reset	–	Stops	Stops	Stops

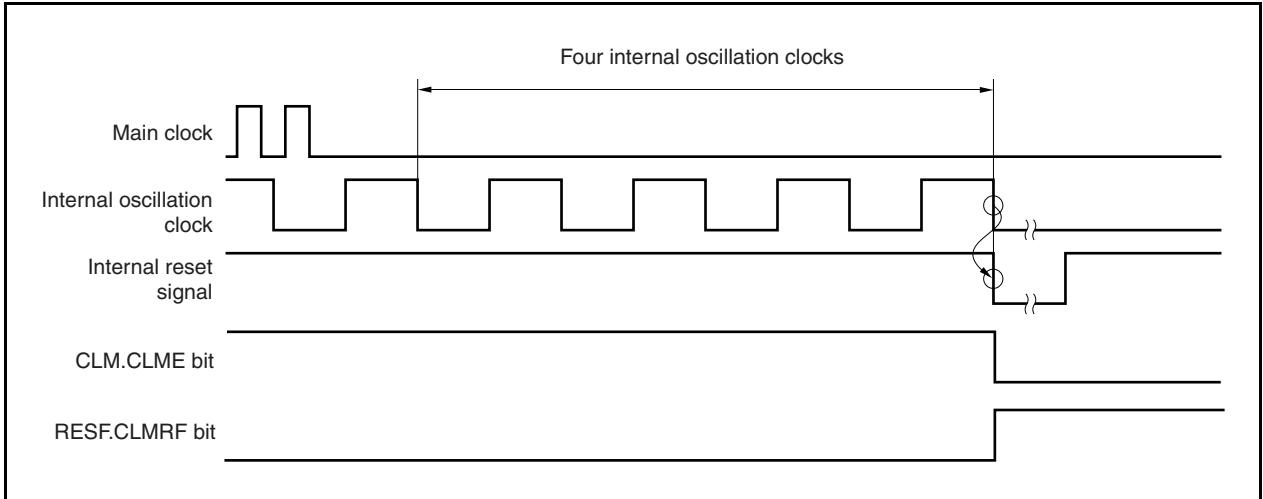
Notes 1. The internal oscillator can be stopped by using the option byte function (see **CHAPTER 25**) to enable the internal oscillator to stop, and setting the RCM.RSTOP bit to 1.

2. The clock monitor is stopped while the internal oscillator is stopped.

(1) Operation when main clock oscillation is stopped (CLME bit = 1)

If oscillation of the main clock is stopped when the CLME bit = 1, an internal reset signal is generated as shown in Figure 20-2.

Figure 20-2. Reset Period Due to That Oscillation of Main Clock Is Stopped

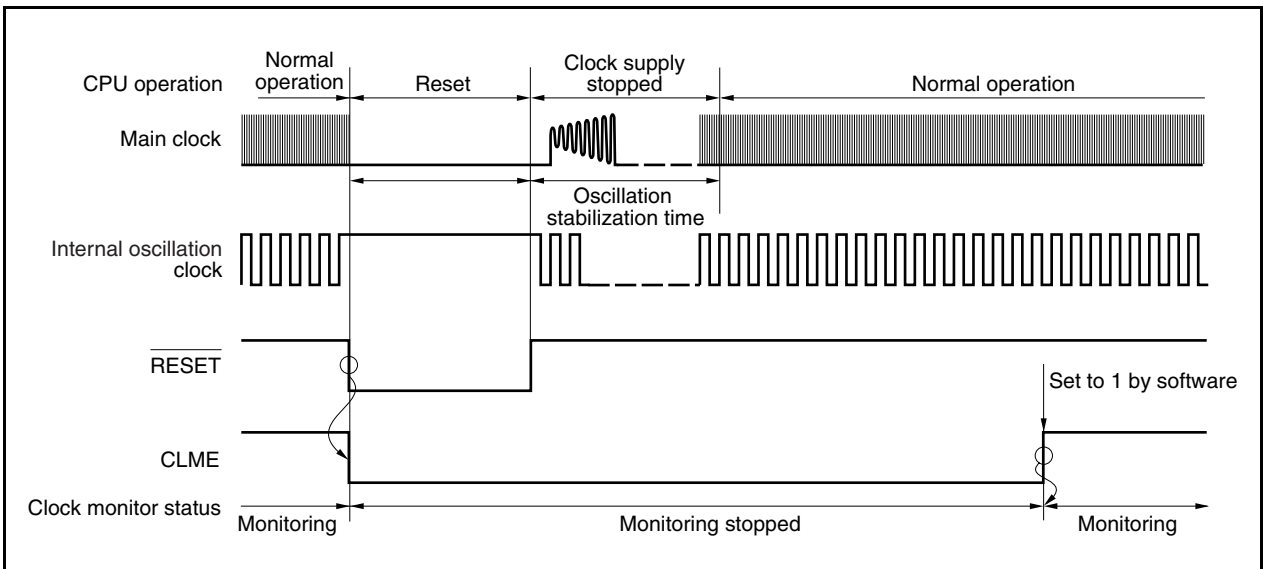


(2) Clock monitor status after $\overline{\text{RESET}}$ input

$\overline{\text{RESET}}$ input clears the CLM.CLME bit to 0 and stops the clock monitor operation. When CLME bit is set to 1 by software at the end of the oscillation stabilization time of the main clock, monitoring is started.

Figure 20-3. Clock Monitor Status After $\overline{\text{RESET}}$ Input

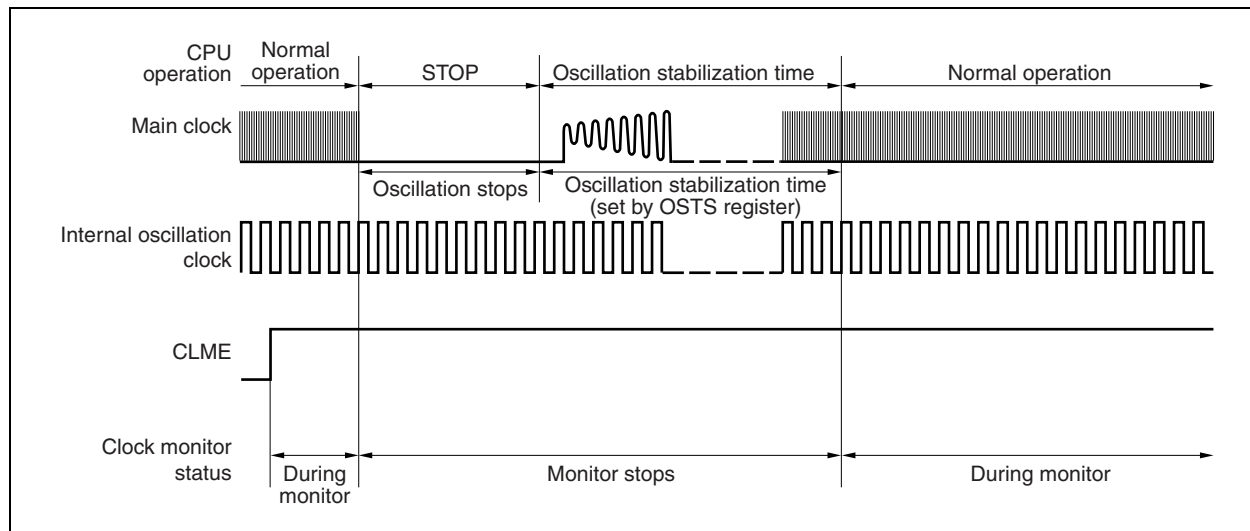
(CLM.CLME bit = 1 is set after $\overline{\text{RESET}}$ input and at the end of main clock oscillation stabilization time)



(3) Operation in STOP mode or after STOP mode is released

If the STOP mode is set with the CLM.CLME bit = 1, the monitor operation is stopped in the STOP mode and while the oscillation stabilization time is being counted. After the oscillation stabilization time, the monitor operation is automatically started.

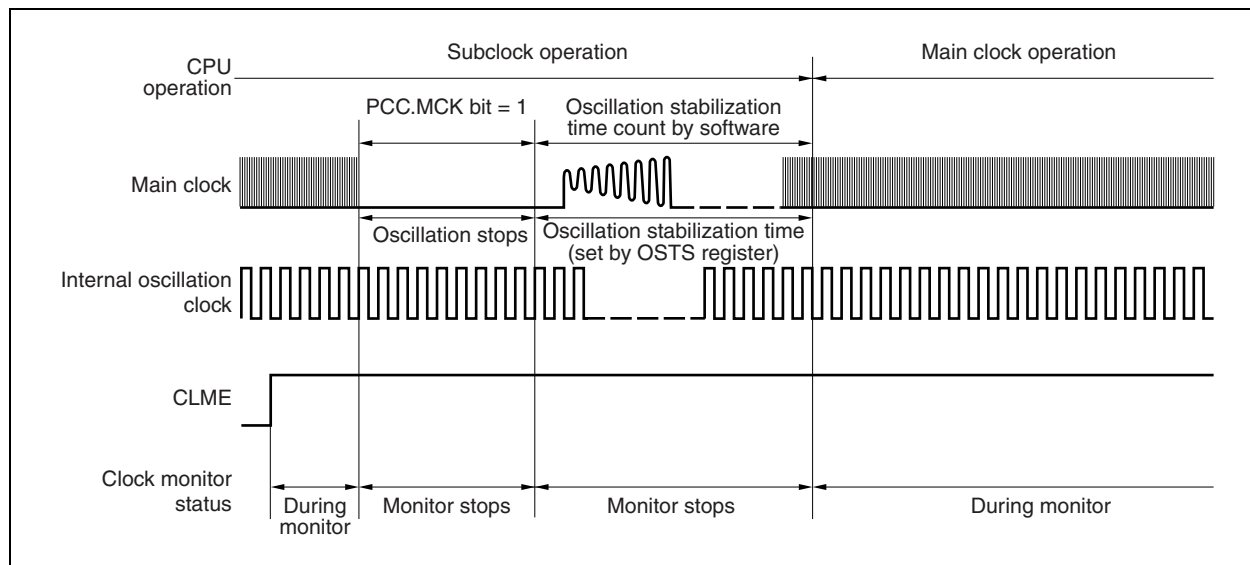
Figure 20-4. Operation in STOP Mode or After STOP Mode Is Released



(4) Operation when main clock is stopped (arbitrary)

During subclock operation (PCC.CLS bit = 1) or when the main clock is stopped by setting the PCC.MCK bit to 1, the monitor operation is stopped until the main clock operation is started (PCC.CLS bit = 0). The monitor operation is automatically started when the main clock operation is started.

Figure 20-5. Operation When Main Clock Is Stopped (Arbitrary)



(5) Operation while CPU is operating on internal oscillation clock (CCLS.CCLS bit = 1)

The monitor operation is not stopped when the CCLS bit is 1, even if the CLME bit is set to 1.

CHAPTER 21 POWER-ON CLEAR CIRCUIT

21.1 Function

Functions of the power-on-clear (POC) circuit are shown below.

- Generates a reset signal upon power application.
- Compares the supply voltage (V_{DD}) and detection voltage (V_{POC0}), and generates a reset signal when $V_{DD} < V_{POC0}$ (detection voltage (V_{POC0}): $3.7\text{ V} \pm 0.2\text{ V}$).

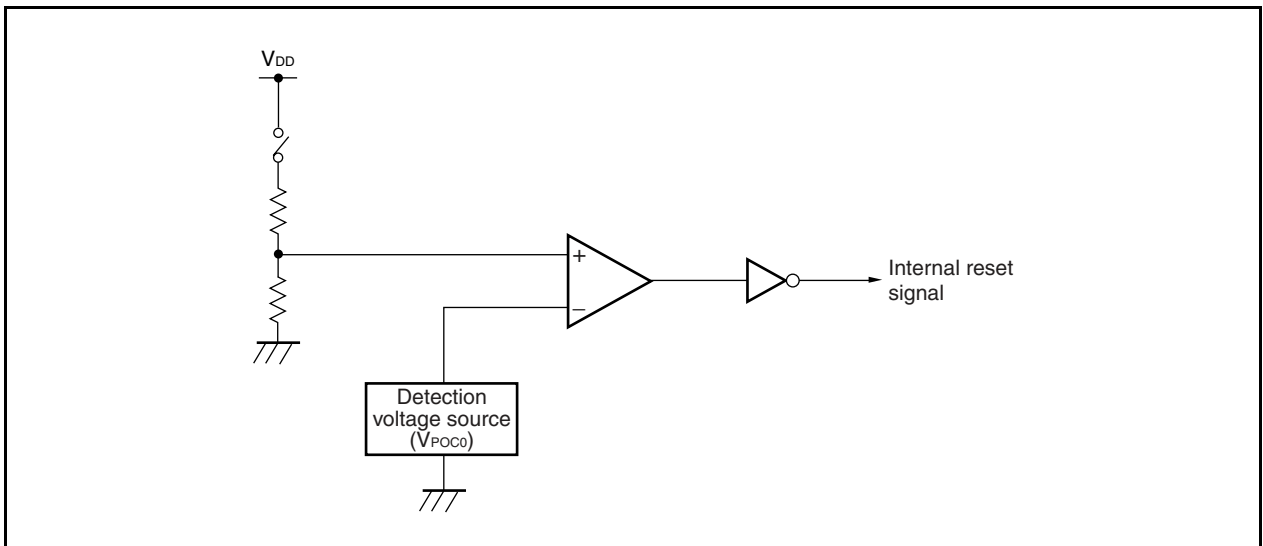
Remarks 1. The V850ES/HJ2 has plural internal hardware units that generate an internal reset signal. When the system is reset by watchdog timer 2 (WDT2RES), low-voltage detector (LVI), or clock monitor (CLM), a flag corresponding to the reset source is allocated to the reset source flag register (RESF). The RESF register is not cleared when an internal reset signal is generated by WDT2RES, LVI, or clock monitor, and its flag corresponding to the reset source is set to 1. For details of the RESF register, see **CHAPTER 19 RESET FUNCTIONS**.

2. The time from power application to starting program execution is “Time from power application to releasing reset + 16 ms” if the operating frequency of a resonator externally connected is 5 MHz. However, it varies depending on the external cause (such as a status of supply voltage to the microcontroller and the stabilization time of the resonator).

21.2 Configuration

The block diagram is shown below.

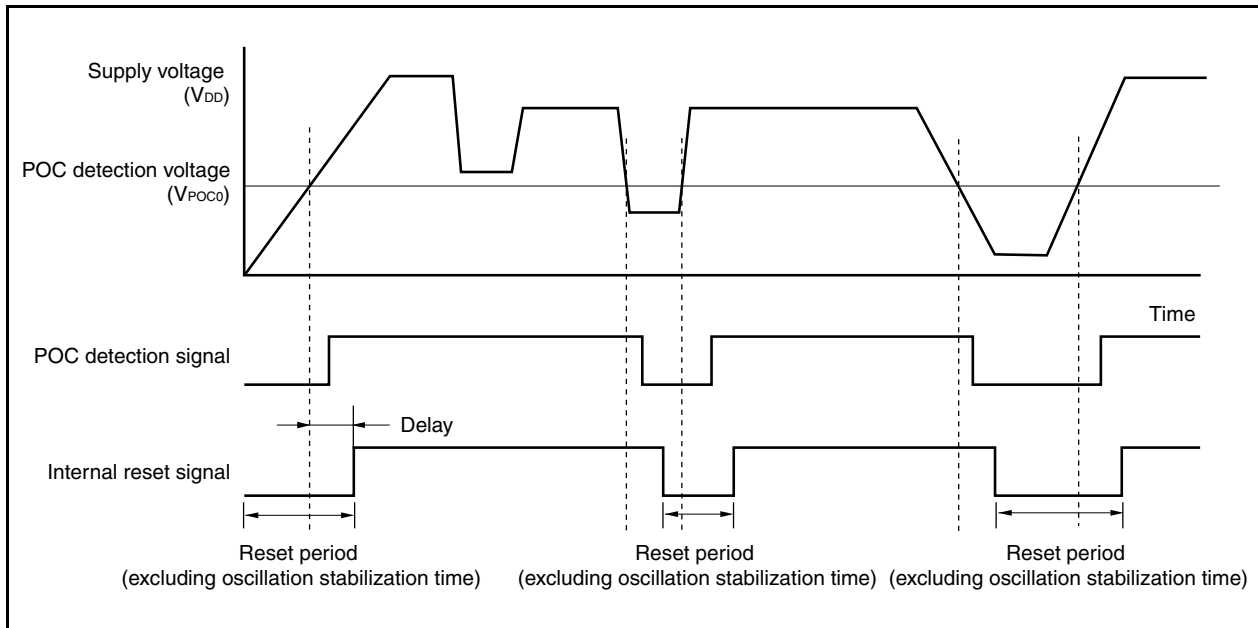
Figure 21-1. Block Diagram of Power-on-Clear Circuit



21.3 Operation

When the supply voltage and detection voltage are compared and if the supply voltage is lower than the detection voltage (including at power application), the system is reset and each hardware is returned to the specific status.

Figure 21-2. Timing of Reset Signal Generation by Power-on-Clear Circuit



CHAPTER 22 LOW-VOLTAGE DETECTOR

22.1 Functions

The low-voltage detector (LVI) has the following functions.

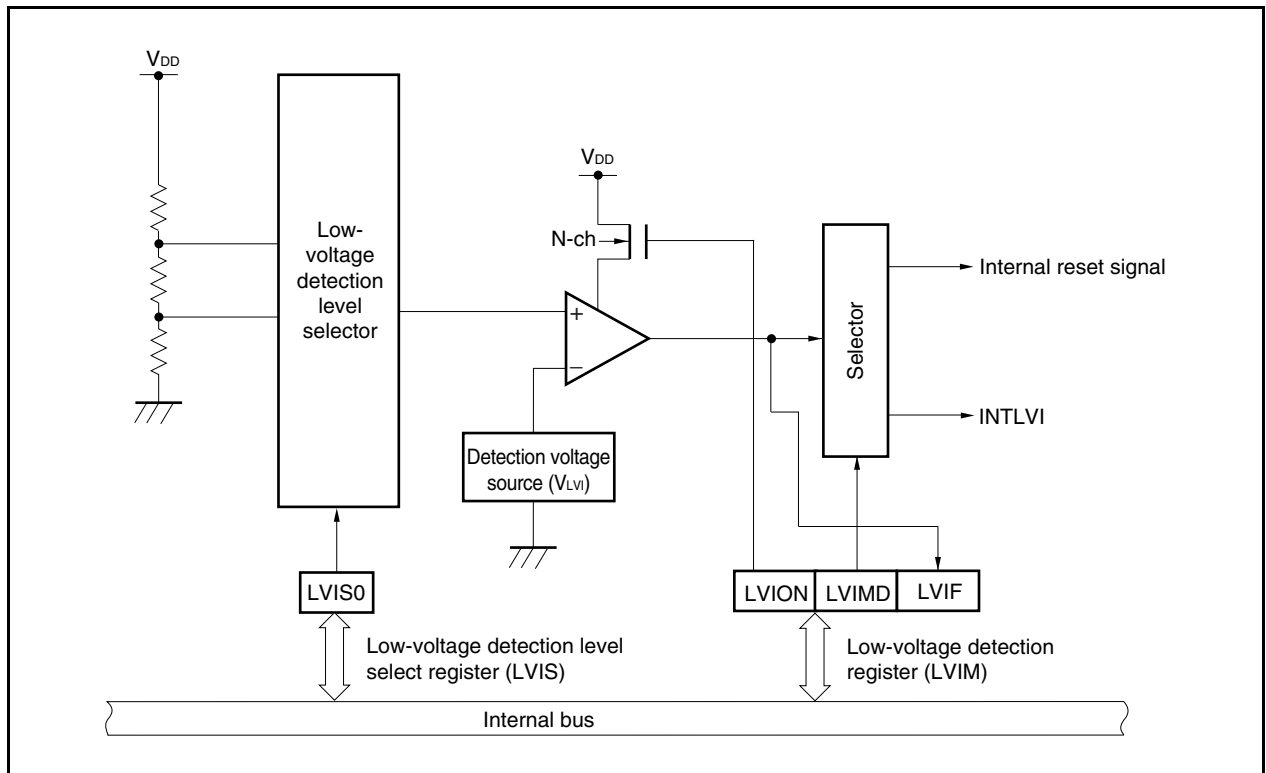
- Compares the supply voltage (V_{DD}) and detection voltage (V_{LVI}) and generates an interrupt request signal or internal reset signal when $V_{DD} < V_{LVI}$.
- The level of the supply voltage to be detected can be changed by software (in two steps).
- An interrupt request signal or internal reset signal can be selected.
- Can operate in STOP mode.
- Operation can be stopped by software.

If the low-voltage detector is used to generate a reset signal, the RESF.LVIRF bit is set to 1 when the reset signal is generated. For details of the RESF register, see **CHAPTER 19 RESET FUNCTIONS**.

22.2 Configuration

The block diagram is shown below.

Figure 22-1. Block Diagram of Low-Voltage Detector



22.3 Registers

(1) Low-voltage detection register (LVIM)

The LVIM register is used to enable or disable low voltage detection, and to set the operation mode of the low-voltage detector. The LVIM register is a special register. It can be written only by a combination of specific sequences (see 3.4.7 **Special registers**).

This register can be read or written in 8-bit or 1-bit units. However, bit 0 is read-only.

After reset: 00H	R/W	Address: FFFFF890H							
		7	6	5	4	3	2	1	0
LVIM		LVION	0	0	0	0	0	LVIMD	LVIF
LVION	Low voltage detection operation enable or disable								
0	Disable operation.								
1	Enable operation.								
LVIMD	Selection of operation mode of low voltage detection								
0	Generate interrupt request signal INTLVI when supply voltage < detection voltage.								
1	Generate internal reset signal LVIREN when supply voltage < detection voltage.								
LVIF	Low voltage detection flag								
0	When supply voltage > detection voltage, or when operation is disabled								
1	Supply voltage < detection voltage								

- Cautions**
1. After setting the LVION bit to 1, wait for 0.2 ms (MAX.) before checking the voltage using the LVIF bit.
 2. The value of the LVIF flag is output as the output signal INTLVI when the LVION bit = 1 and LVIMD bit = 0.
 3. Be sure to clear bits 2 to 6 to "0".
 4. The low-voltage detector cannot be stopped until a reset request due to something other than low-voltage detection is generated after the LVIM.LVION and LVIM.LVIMD bits are set to 1.

<R>

(2) Low-voltage detection level select register (LVIS)

The LVIS register is used to select the level of low voltage to be detected.

This register can be read or written in 8-bit units.

	After reset: 00H	R/W	Address: FFFF891H					
	7	6	5	4	3	2	1	0
LVIS	0	0	0	0	0	0	0	LVIS0

LVIS0	Detection level
0	4.4 V ±0.2 V
1	4.2 V ±0.2 V

Cautions

1. This register cannot be written until a reset request due to something other than low-voltage detection is generated after the LVIM.LVION and LVIM.LVIMD bits are set to 1.
2. Be sure to clear bits 1 to 7 to “0”.

(3) Internal RAM data status register (RAMS)

The RAMS register is a flag register that indicates whether the internal RAM is valid or not. The RAMS register is a special register. It can be written only by a combination of specific sequences (see 3.4.7 Special registers).

For the RAMS register, see 22.5 RAM Retention Voltage Detection Operation.

This register can be read or written in 8-bit or 1-bit units.

Caution The following shows the specific sequence after reset.

- **Setting conditions: Detection of voltage lower than detection level**
 - Set by instruction
 - Generation of reset signal by watchdog timer overflow
 - Generation of reset signal while RAM is being accessed
 - Generation of reset signal by clock monitor
- **Clearing condition: Writing of 0 in specific sequence**

	After reset: 01H	R/W	Address: FFFF892H					
	7	6	5	4	3	2	1	0
RAMS	0	0	0	0	0	0	0	RAMF

RAMF	Internal RAM data valid/invalid
0	Valid
1	Invalid

22.4 Operation

Depending on the setting of the LVIM.LVIMD bit, an interrupt request signal (INTLVI) or an internal reset signal is generated.

22.4.1 To use for internal reset signal

<To start operation>

<1> Mask the interrupt of LVI.

<2> Select the voltage to be detected by using the LVIS.LVIS0 bit.

<3> Set the LVIM.LVION bit to 1 (to enable operation).

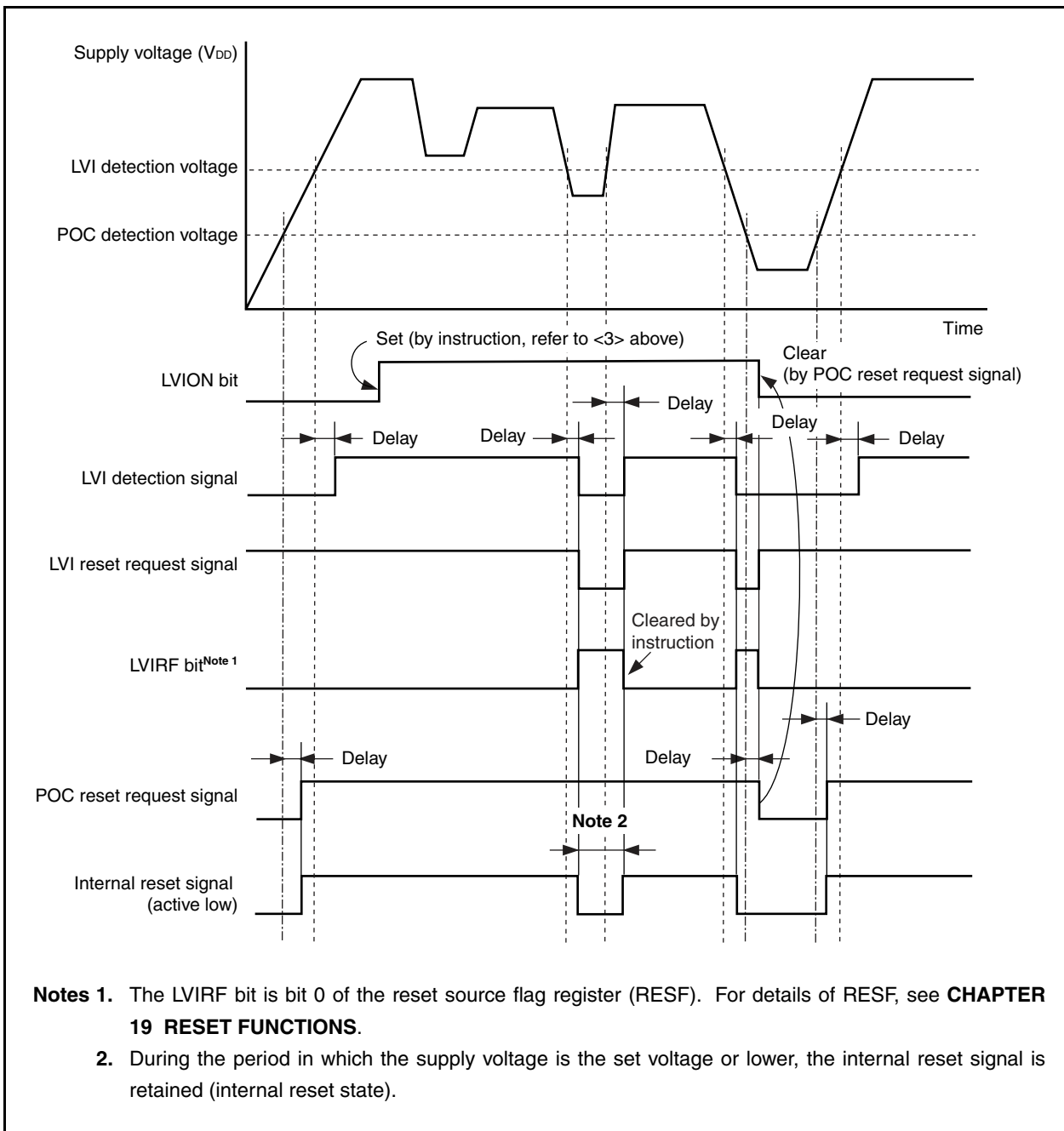
<4> Insert a wait cycle of 0.2 ms MAX. by software.

<5> By using the LVIM.LVIF bit, check if the supply voltage > detection voltage.

<6> Set the LVIM.LVIMD bit to 1 (to generate an internal reset signal).

Caution If the LVIMD bit is set to 1, the contents of the LVIM and LVIS registers cannot be changed until a reset request other than LVI is generated.

Figure 22-2. Operation Timing of Low-Voltage Detector (LVIMD Bit = 1)



<R>

22.4.2 To use for interrupt

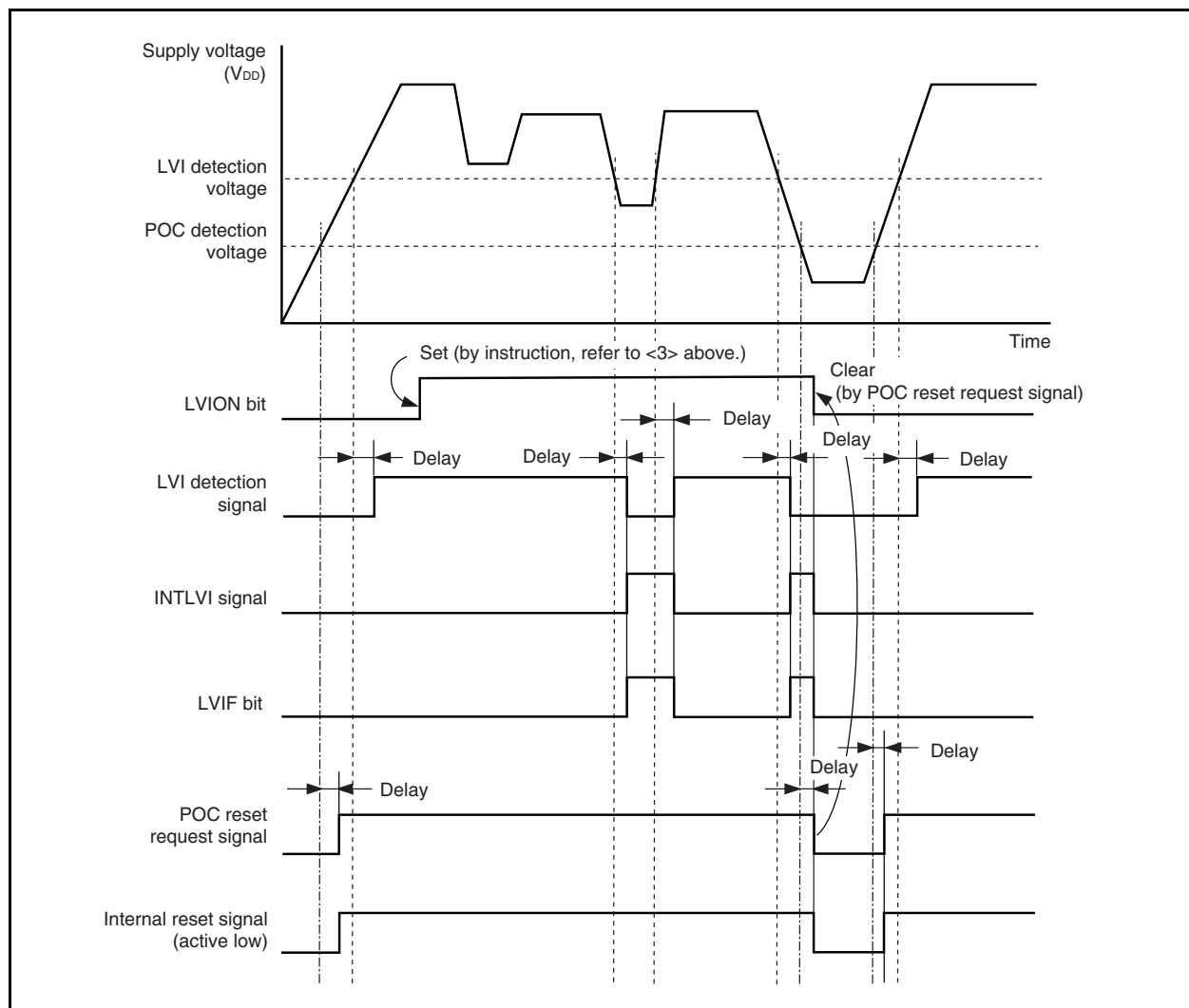
<To start operation>

- <1> Mask the interrupt of LVI.
- <2> Select the voltage to be detected by using the LVIS.LVIS0 bit.
- <3> Set the LVIM.LVION bit to 1 (to enable operation).
- <4> Insert a wait cycle of 0.2 ms MAX, by software.
- <5> By using the LVIM.LVIF bit, check if the supply voltage > detection voltage.
- <6> Clear the interrupt request flag of LVI.
- <7> Unmask the interrupt of LVI.

<To stop operation>

Clear the LVION bit to 0.

Figure 22-3. Operation Timing of Low-Voltage Detector (LVIM Bit = 0)

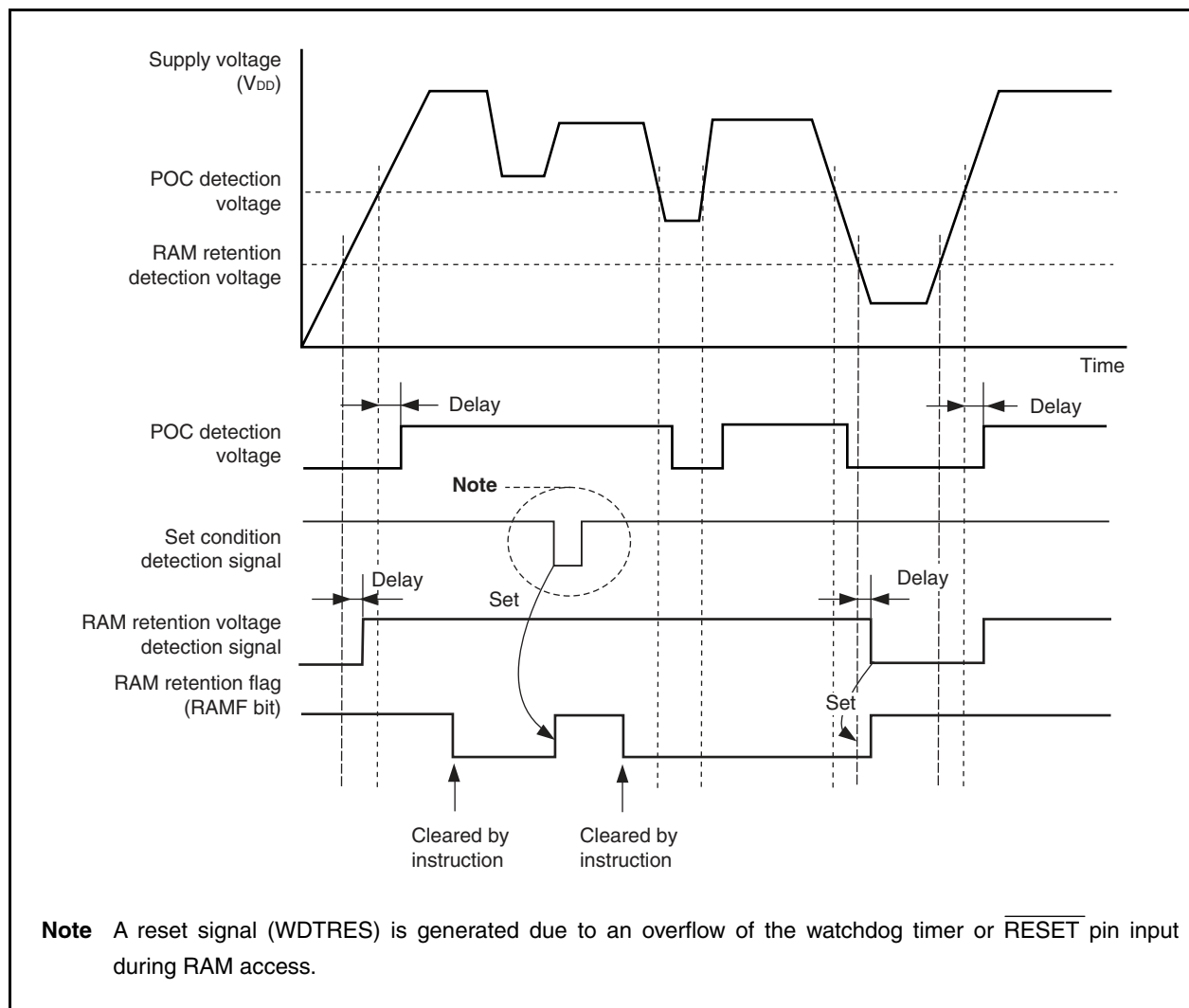


22.5 RAM Retention Voltage Detection Operation

The supply voltage and detection voltage are compared. When the supply voltage drops below the detection voltage (including on power application), the RAMS.RAMF bit is set (1).

When the POC function is not used and when the RAM retention voltage detection function is used, be sure to input an external reset signal if the detected voltage falls below the operating voltage.

Figure 22-4. Operation Timing of RAM Retention Voltage Detection Function



22.6 Emulation Function

When an in-circuit emulator is used, the operation of the RAM retention flag (RAMS.RAMF bit) can be pseudo-controlled and emulated by manipulating the PEMU1 register on the debugger.

This register is valid only in the emulation mode. It is invalid in the normal mode.

(1) Peripheral emulation register 1 (PEMU1)

After reset: 00H	R/W	Address: FFFFF9FEH							
		7	6	5	4	3	2	1	0
PEMU1		0	0	0	0	0	EVARAMIN	0	0

EVARAMIN	Pseudo specification of RAM retention voltage detection signal
0	Do not detect voltage lower than RAM retention voltage.
1	Detect voltage lower than RAM retention voltage (set RAMF flag).

Caution This bit is not automatically cleared.

[Usage]

When an in-circuit emulator is used, pseudo emulation of RAMF is realized by rewriting this register on the debugger.

<1> CPU break (CPU operation stops.)

<2> Set the EVARAMIN bit to 1 by using a register write command.

By setting the EVARAMIN bit to 1, the RAMF bit is set to 1 on hardware (the internal RAM data is invalid).

<3> Clear the EVARAMIN bit to 0 by using a register write command again.

Unless this operation is performed (clearing the EVARAMIN bit to 0), the RAMF bit cannot be cleared to 0 by a CPU operation instruction.

<4> Run the CPU and resume emulation.

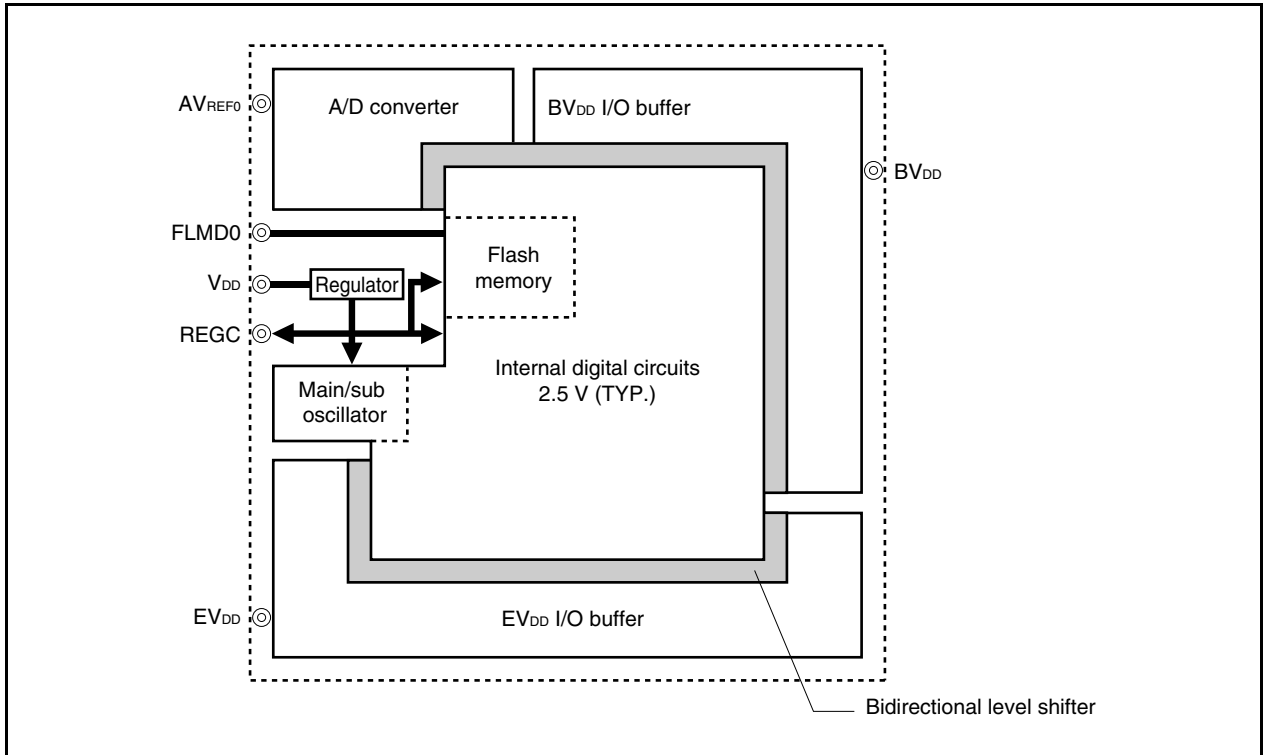
CHAPTER 23 REGULATOR

23.1 Overview

The V850ES/HJ2 includes a regulator to reduce power consumption and noise.

This regulator supplies a stepped-down V_{DD} power supply voltage to the oscillator block and internal logic circuits (except the A/D converter and output buffers). The regulator output voltage is set to 2.5 V (TYP.).

Figure 23-1. Regulator



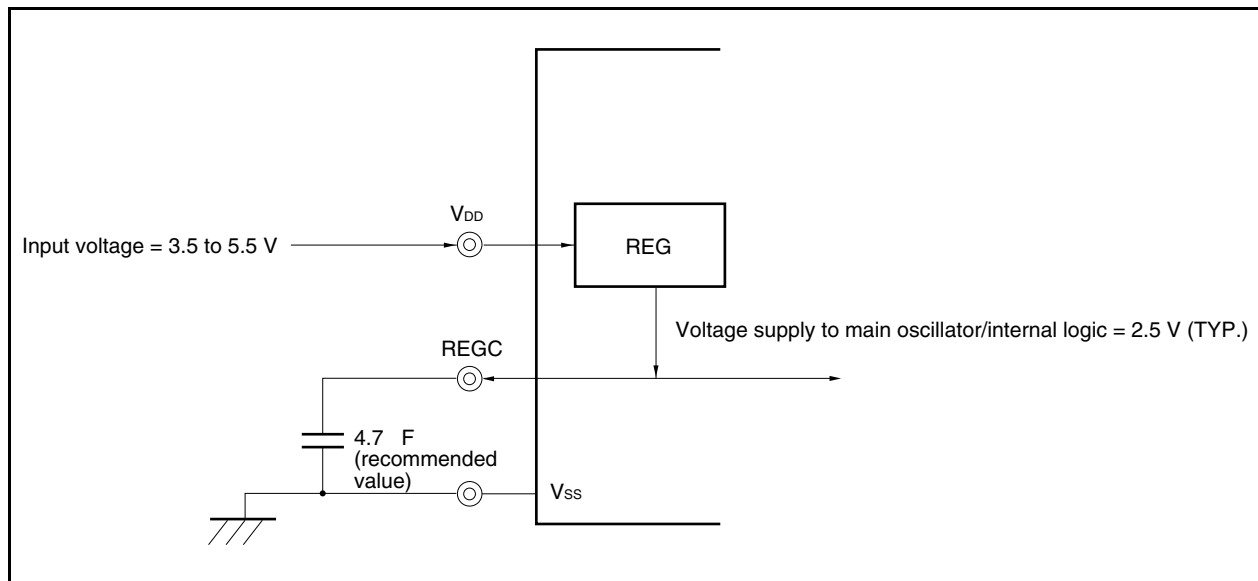
23.2 Operation

The regulator of this product always operates in any mode (normal operation mode, HALT mode, IDLE1 mode, IDLE2 mode, STOP mode, or during reset).

Be sure to connect a capacitor (4.7 F (recommended value)) to the REGC pin to stabilize the regulator output.

A diagram of the regulator pin connection method is shown below.

Figure 23-2. REGC Pin Connection



CHAPTER 24 FLASH MEMORY

The following can be considered as the development environment and mass production applications using flash memory versions.

- For altering software after the V850ES/HJ2 is soldered onto the target system.
- For data adjustment when starting mass production.
- For differentiating software according to the specification in small scale production of various models.
- For facilitating inventory management.
- For updating software after shipment.

24.1 Features

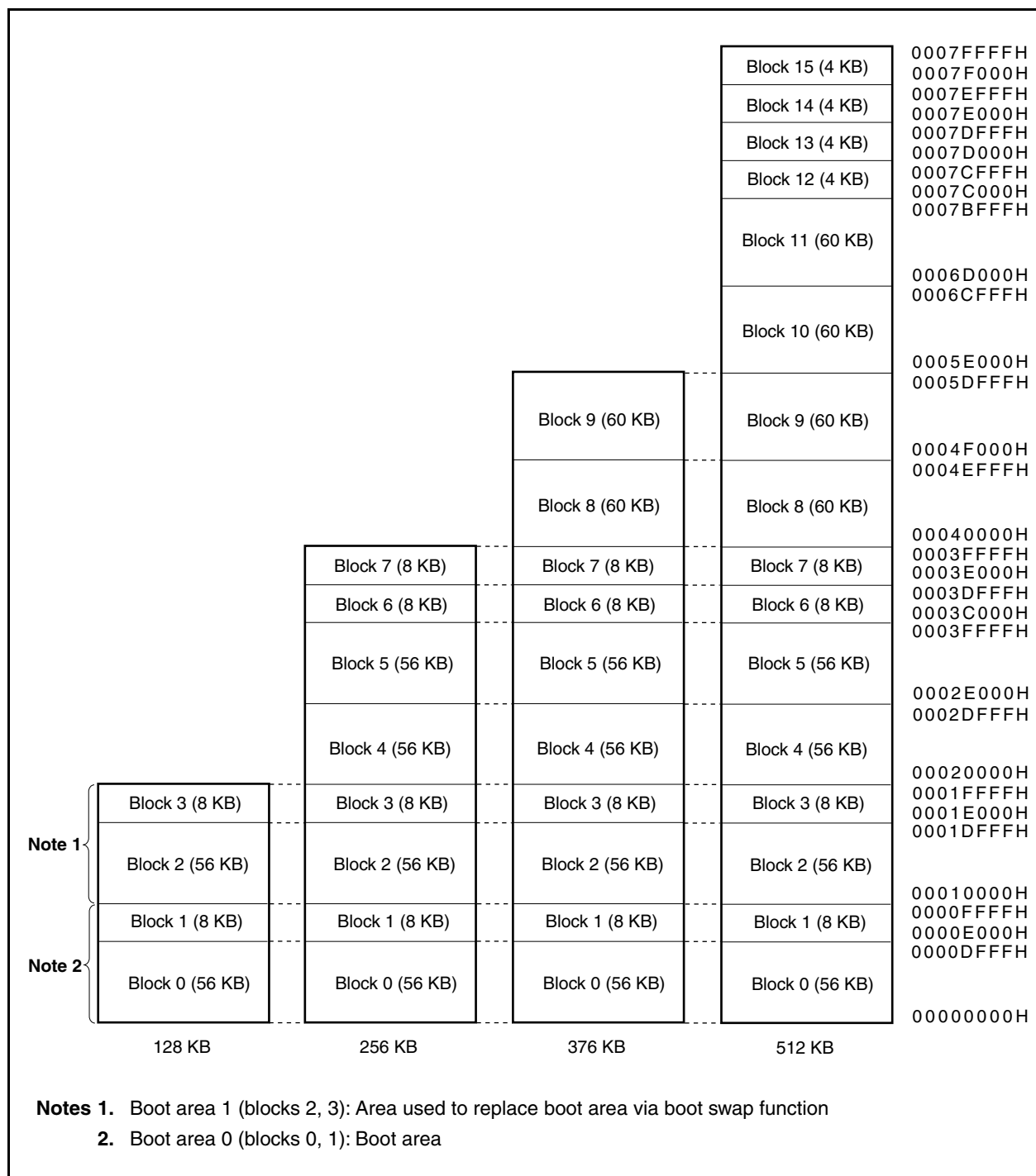
- 4-byte/1-clock access (when instruction is fetched)
- Capacity: 512/376/256/128 KB
- Write voltage: Erase/write with a single power supply
- Rewriting method
 - Rewriting by communication with dedicated flash programmer via serial interface (on-board/off-board programming)
 - Rewriting flash memory by user program (self programming)
- Flash memory write prohibit function supported (security function)
- Safe rewriting of entire flash memory area by self programming using boot swap function
- Interrupts can be acknowledged during self programming.

<R> 24.2 Memory Configuration

The 512 KB, 376 KB, 256 KB, and 128 KB internal flash memory areas are divided into 16, 10, 8, and 4 blocks and can be programmed/erased in block units. All the blocks can also be erased at once.

When the boot swap function is used, the physical memory (blocks 0, 1) located at the addresses of boot area 0 is replaced by the physical memory (blocks 2, 3) located at the addresses of boot area 1. For details of the boot swap function, refer to 24.5 **Rewriting by Self Programming**.

Figure 24-1. Flash Memory Mapping



<R>

24.3 Functional Outline

The internal flash memory of the V850ES/HJ2 can be rewritten by using the rewrite function of the dedicated flash programmer, regardless of whether the V850ES/HJ2 has already been mounted on the target system or not (on-board/off-board programming).

In addition, a security function that prohibits rewriting the user program written to the internal flash memory is also supported, so that the program cannot be changed by an unauthorized person.

The rewrite function using the user program (self programming) is ideal for an application where it is assumed that the program is changed after production/shipment of the target system. A boot swap function that rewrites the entire flash memory area safely is also supported. In addition, interrupt servicing is supported during self programming, so that the flash memory can be rewritten under various conditions, such as while communicating with an external device.

Table 24-1. Rewrite Method

Rewrite Method	Functional Outline	Operation Mode
On-board programming	Flash memory can be rewritten after the device is mounted on the target system, by using a dedicated flash programmer.	Flash memory programming mode
Off-board programming	Flash memory can be rewritten before the device is mounted on the target system, by using a dedicated flash programmer and a dedicated program adapter board (FA series).	
Self programming	Flash memory can be rewritten by executing a user program that has been written to the flash memory in advance by means of on-board/off-board programming. (During self-programming, instructions cannot be fetched from or data access cannot be made to the internal flash memory area. Therefore, the rewrite program must be transferred to the internal RAM or external memory in advance).	Normal operation mode

Remark The FA series is a product of Naito Densai Machida Mfg. Co., Ltd.

Table 24-2. Basic Functions

Function	Functional Outline	Support (√: Supported, ×: Not supported)	
		On-Board/Off-Board Programming	Self Programming
Block erasure	The contents of specified memory blocks are erased.	√	√
Chip erasure	The contents of the entire memory area are erased all at once.	√	×
Write	Writing to specified addresses, and a verify check to see if write level is secured are performed.	√	√
Verify/checksum	Data read from the flash memory is compared with data transferred from the flash programmer.	√	× (Can be read by user program)
Blank check	The erasure status of the entire memory is checked.	√	√
Security setting	Use of the block erase command, chip erase command, program command, and read command are prohibited.	√	× (Supported only when setting is changed from enable to disable)

The following table lists the security functions. The block erase command prohibit, chip erase command prohibit, and program command prohibit functions are enabled by default after shipment, and security can be set by rewriting via on-board/off-board programming. Each security function can be used in combination with the others at the same time.

Table24-3. Security Functions

Function	Function Outline
Block erase command prohibit	Execution of a block erase command on all blocks is prohibited. Setting of prohibition can be initialized by execution of a chip erase command.
Chip erase command prohibit	Execution of block erase and chip erase commands on all the blocks is prohibited. Once prohibition is set, setting of prohibition cannot be initialized because the chip erase command cannot be executed.
Program command prohibit	Program and block erase commands on all the blocks are prohibited. Setting of prohibition can be initialized by execution of the chip erase command.
Read command prohibit	Read command on all the blocks is prohibited. Setting of prohibition can be initialized by execution of the chip erase command.
Boot area rewrite prohibit	Not supported.

Table 24-4. Security Setting

Function	Erase, Write, Read Operations When Each Security Is Set (√: Executable, ×: Not Executable, -: Not Supported)		Notes on Security Setting	
	On-Board/ Off-Board Programming	Self Programming	On-Board/ Off-Board Programming	Self Programming
Block erase command prohibit	Block erase command: × Chip erase command: √ Program command: √ Read command: √	Block erasure (FlashBlockErase): √ Chip erasure: – Write (FlashWordWrite): √ Read (FlashWordRead): √	Setting of prohibition can be initialized by chip erase command.	Supported only when setting is changed from enable to prohibit
Chip erase command prohibit	Block erase command: × Chip erase command: × Program command: √ ^{Note} Read command: √	Block erasure (FlashBlockErase): √ Chip erasure: – Write (FlashWordWrite): √ Read (FlashWordRead): √	Setting of prohibition cannot be initialized.	
Program command prohibit	Block erase command: × Chip erase command: √ Program command: × Read command: √	Block erasure (FlashBlockErase): √ Chip erasure: – Write (FlashWordWrite): √ Read (FlashWordRead): √	Setting of prohibition can be initialized by chip erase command.	
Read command prohibit	Block erase command: √ Chip erase command: √ Program command: √ Read command: ×	Block erasure (FlashBlockErase): √ Chip erasure: – Write (FlashWordWrite): √ Read (FlashWordRead): √	Setting of prohibition can be initialized by chip erase command.	

Note In this case, since the erase command is invalid, data different from the data already written in the flash memory cannot be written.

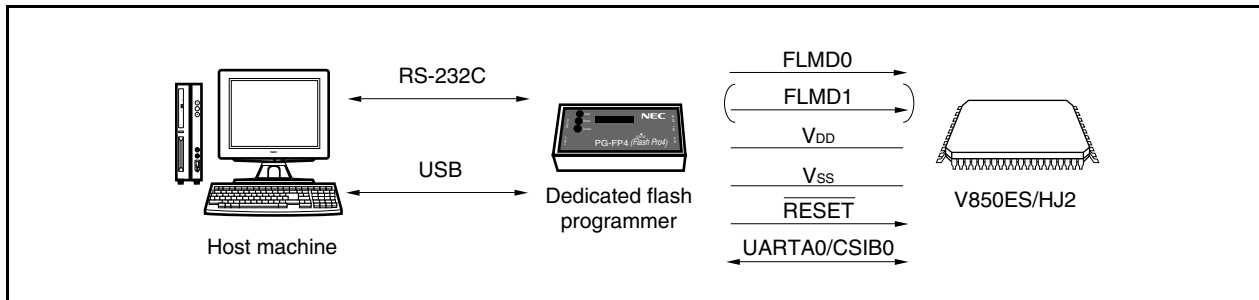
24.4 Rewriting by Dedicated Flash Programmer

The flash memory can be rewritten by using a dedicated flash programmer after the V850ES/HJ2 is mounted on the target system (on-board programming). The flash memory can also be rewritten before the device is mounted on the target system (off-board programming) by using a dedicated program adapter (FA series).

24.4.1 Programming environment

The following shows the environment required for writing programs to the flash memory of the V850ES/HJ2.

Figure 24-2. Environment Required for Writing Programs to Flash Memory



A host machine is required for controlling the dedicated flash programmer.

UARTA0 or CSIB0 is used for the interface between the dedicated flash programmer and the V850ES/HJ2 to perform writing, erasing, etc. A dedicated program adapter (FA series) required for off-board writing.

- FA-70F3712GJ-UEN-MX (already wired)
- FA-144GJ-UEN-A (not wired: wiring required)

Remark The FA series is a product of Naito Densai Machida Mfg. Co., Ltd.

24.4.2 Communication mode

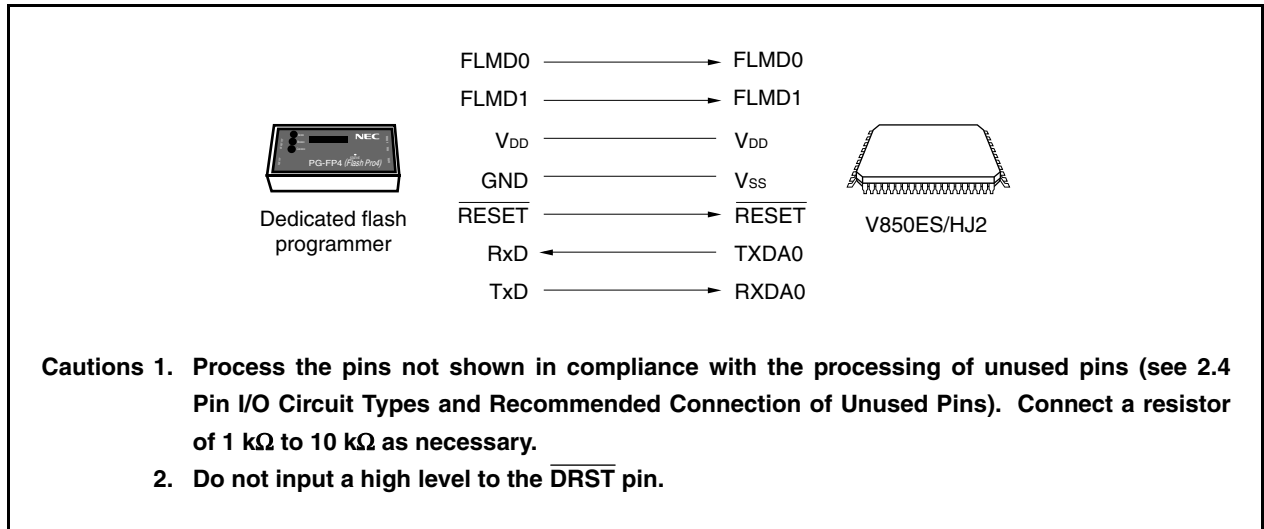
Communication between the dedicated flash programmer and the V850ES/HJ2 is performed by serial communication using the UARTA0 or CSIB0 interfaces of the V850ES/HJ2.

<R>

(1) UARTA0

Transfer rate: 9,600, 19,200, 31,250, 38,400, 76,800, 153,600 bps
(57,600, 115,200, and 128,000 bps are not supported.)

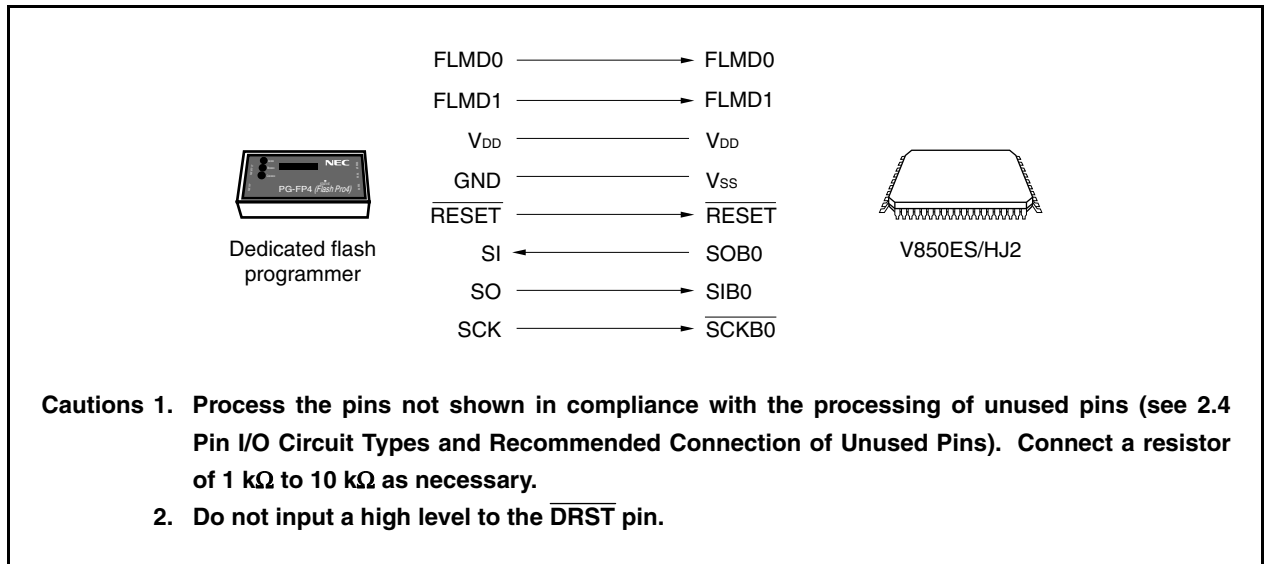
Figure 24-3. Communication with Dedicated Flash Programmer (UARTA0)



(2) CSIB0

Serial clock: 2.4 kHz to 2.5 MHz (MSB first)

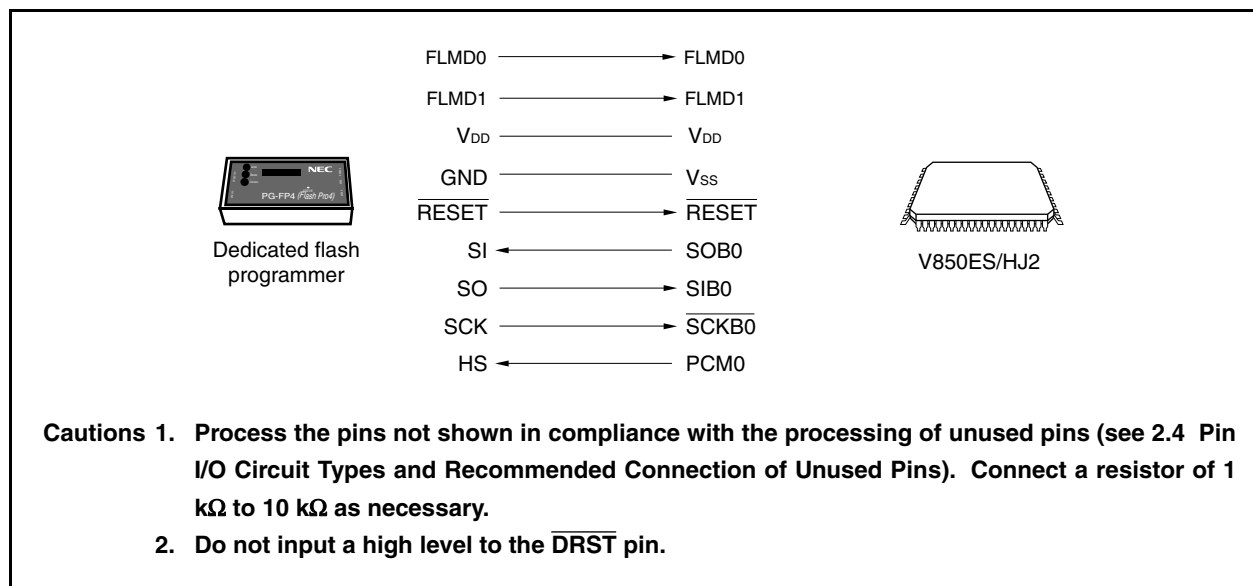
Figure 24-4. Communication with Dedicated Flash Programmer (CSIB0)



(3) CSIB0 + HS

Serial clock: 2.4 kHz to 2.5 MHz (MSB first)

Figure 24-5. Communication with Dedicated Flash Programmer (CSIB0 + HS)



The dedicated flash programmer outputs the transfer clock, and the V850ES/HJ2 operates as a slave.

When the PG-FP4 is used as the dedicated flash programmer, it generates the following signals to the V850ES/HJ2. For details, refer to the **PG-FP4 User's Manual (U15260E)**.

Table 24-5. Signal Connections of Dedicated Flash Programmer (PG-FP4)

PG-FP4			V850ES/HJ2	Processing for Connection		
Signal Name	I/O	Pin Function	Pin Name	UARTA0	CSIB0	CSIB0 + HS
FLMD0	Output	Write enable/disable	FLMD0	○	○	○
FLMD1	Output	Write enable/disable	FLMD1	○ ^{Note 1}	○ ^{Note 1}	○ ^{Note 1}
VDD	–	V _{DD} voltage generation/voltage monitor	V _{DD}	○	○	○
GND	–	Ground	V _{SS}	○	○	○
CLK	Output	Clock output to V850ES/HJ2	X1, X2	× ^{Note 2}	× ^{Note 2}	× ^{Note 2}
$\overline{\text{RESET}}$	Output	Reset signal	$\overline{\text{RESET}}$	○	○	○
SI/RxD	Input	Receive signal	SOB0, TXDA0	○	○	○
SO/TxD	Output	Transmit signal	SIB0, RXDA0	○	○	○
SCK	Output	Transfer clock	$\overline{\text{SCKB0}}$	×	○	○
HS	Input	Handshake signal for CSIB0 + HS communication	PCM0	×	×	○

Notes 1. Wire these pins as shown in Figure 24-6, or connect them to GND via pull-down resistor on board.

2. Clock cannot be supplied via the CLK pin of the flash programmer. Create an oscillator on board and supply the clock.

Remark ○: Must be connected.

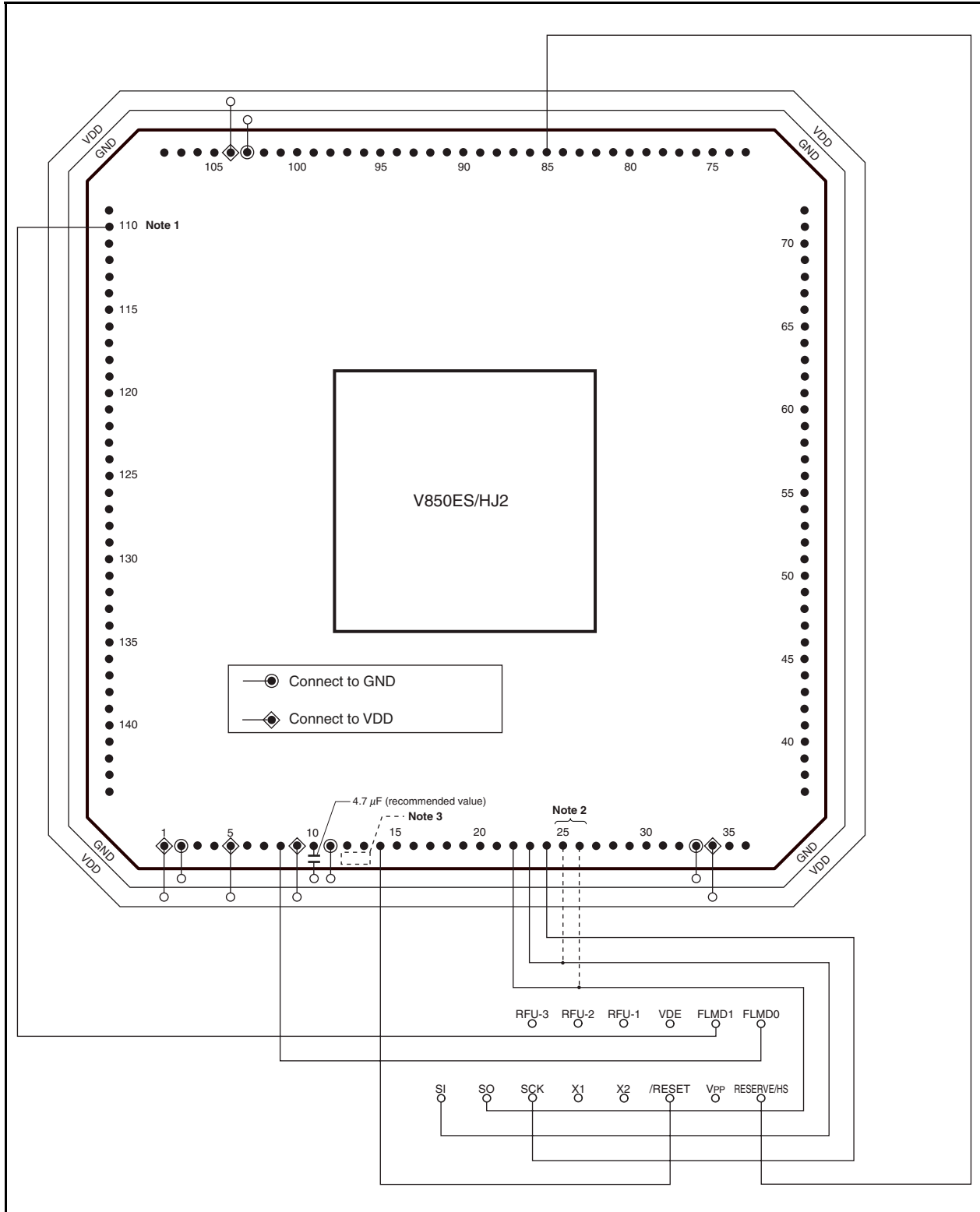
×: Does not have to be connected.

Table 24-6. Wiring of Flash Writing Adapter for V850ES/HJ2 (FA-144GJ-UEN-A)

Flash Programmer (PG-FP4) Connection Pins			Pin Name on FA Board	When CSIB0 + HS Is Used		When CSIB0 Is Used		When UARTA0 Is Used	
Signal Name	I/O	Pin Function		Pin Name	Pin No.	Pin Name	Pin No.	Pin Name	Pin No.
SI/RxD	Input	Receive signal	SI	P41/SOB0	23	P41/SOB0	23	P30/TXDA0	25
SO/TxD	Output	Transmit signal	SO	P40/SIB0	22	P40/SIB0	22	P31/RXDA0/INTP7	26
SCK	Output	Transfer clock	SCK	P42/ $\overline{\text{SCKB0}}$	24	P42/ $\overline{\text{SCKB0}}$	24	Not necessary	–
CLK	Output	Clock to V850ES/HJ2	X1	Not necessary	–	Not necessary	–	Not necessary	–
			X2	Not necessary	–	Not necessary	–	Not necessary	–
/RESET	Output	Reset signal	/RESET	$\overline{\text{RESET}}$	14	$\overline{\text{RESET}}$	14	$\overline{\text{RESET}}$	14
FLMD0	Output	Write voltage	FLMD0	FLMD0	8	FLMD0	8	FLMD0	8
FLMD1	Output	Write voltage	FLMD1	PDL5/AD5/FLMD1	110	PDL5/AD5/FLMD1	110	PDL5/AD5/FLMD1	110
HS	Input	Handshake signal of CSIO + HS communication	RESERVE/ HS	PCM0/ $\overline{\text{WAIT}}$	85	Not necessary	–	Not necessary	–
VDD	–	VDD voltage generation/ voltage monitor	VDD	V _{DD}	9	V _{DD}	9	V _{DD}	9
				BV _{DD}	104	BV _{DD}	104	BV _{DD}	104
				EV _{DD}	5, 34	EV _{DD}	5, 34	EV _{DD}	5, 34
				AV _{REF0}	1	AV _{REF0}	1	AV _{REF0}	1
GND	–	Ground	GND	V _{SS}	11	V _{SS}	11	V _{SS}	11
				AV _{SS}	2	AV _{SS}	2	AV _{SS}	2
				BV _{SS}	103	BV _{SS}	103	BV _{SS}	103
				EV _{SS}	33	EV _{SS}	33	EV _{SS}	33

- Cautions**
1. Be sure to connect the REGC pin to GND via a 4.7 μF (recommended value) capacitor.
 2. A clock cannot be supplied from the CLK pin of the flash programmer. Create an oscillator on the board and supply the clock from that oscillator.

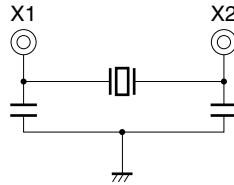
Figure 24-6. Example of Wiring of V850ES/HJ2 Flash Writing Adapter (FA-144GJ-UEN-A) (in CSIB0 + HS Mode) (1/2)



**Figure 24-6. Example of Wiring of V850ES/HJ2 Flash Writing Adapter (FA-144GJ-UEN-A)
(in CSIB0 + HS Mode) (2/2)**

- Notes**
1. Wire the FLMD1 pin as shown below, or connect it to GND on board via a pull-down resistor.
 2. Pins used when UARTA0 is used
 3. Supply a clock by creating an oscillator on the flash writing adapter (enclosed by the broken lines). Here is an example of the oscillator.

Example



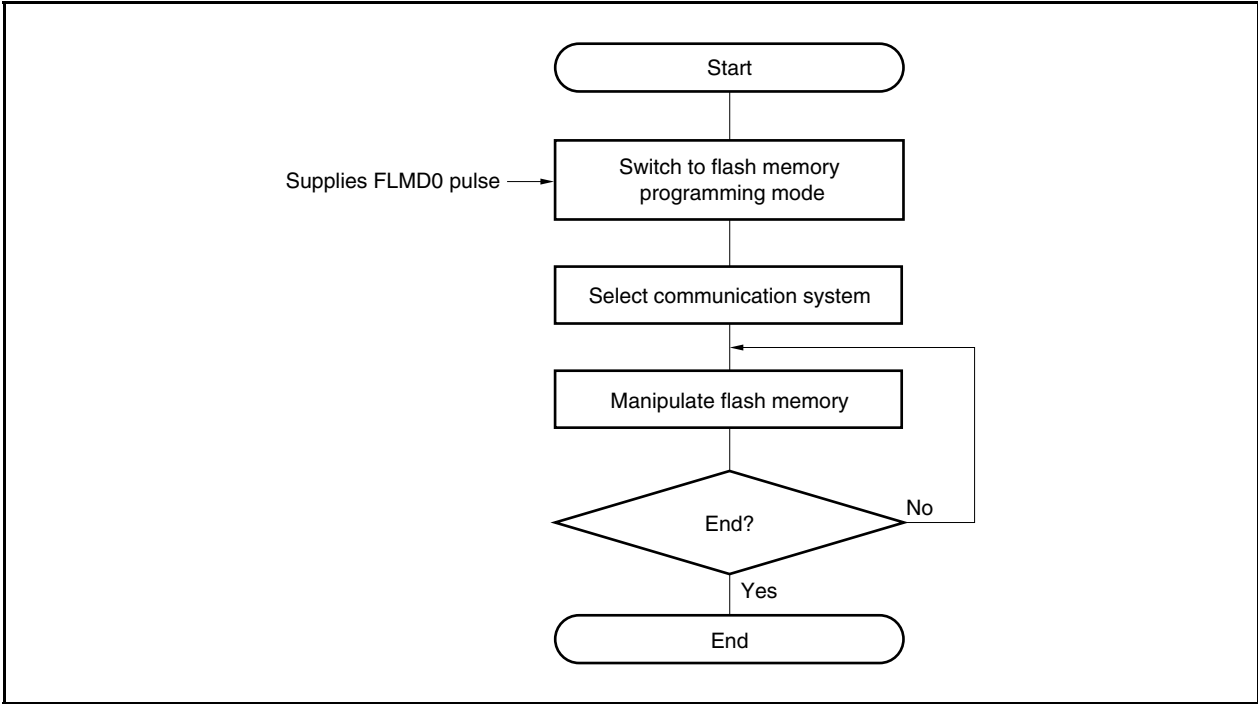
Caution Do not input a high level to the $\overline{\text{DRST}}$ pin.

- Remarks**
1. Process the pins not shown in accordance with processing of unused pins (see 2.4 Pin I/O Circuit Types and Recommended Connection of Unused Pins).
 2. This adapter is used for the 144-pin plastic LQFP package.

24.4.3 Flash memory control

The following shows the procedure for manipulating the flash memory.

Figure 24-7. Procedure for Manipulating Flash Memory

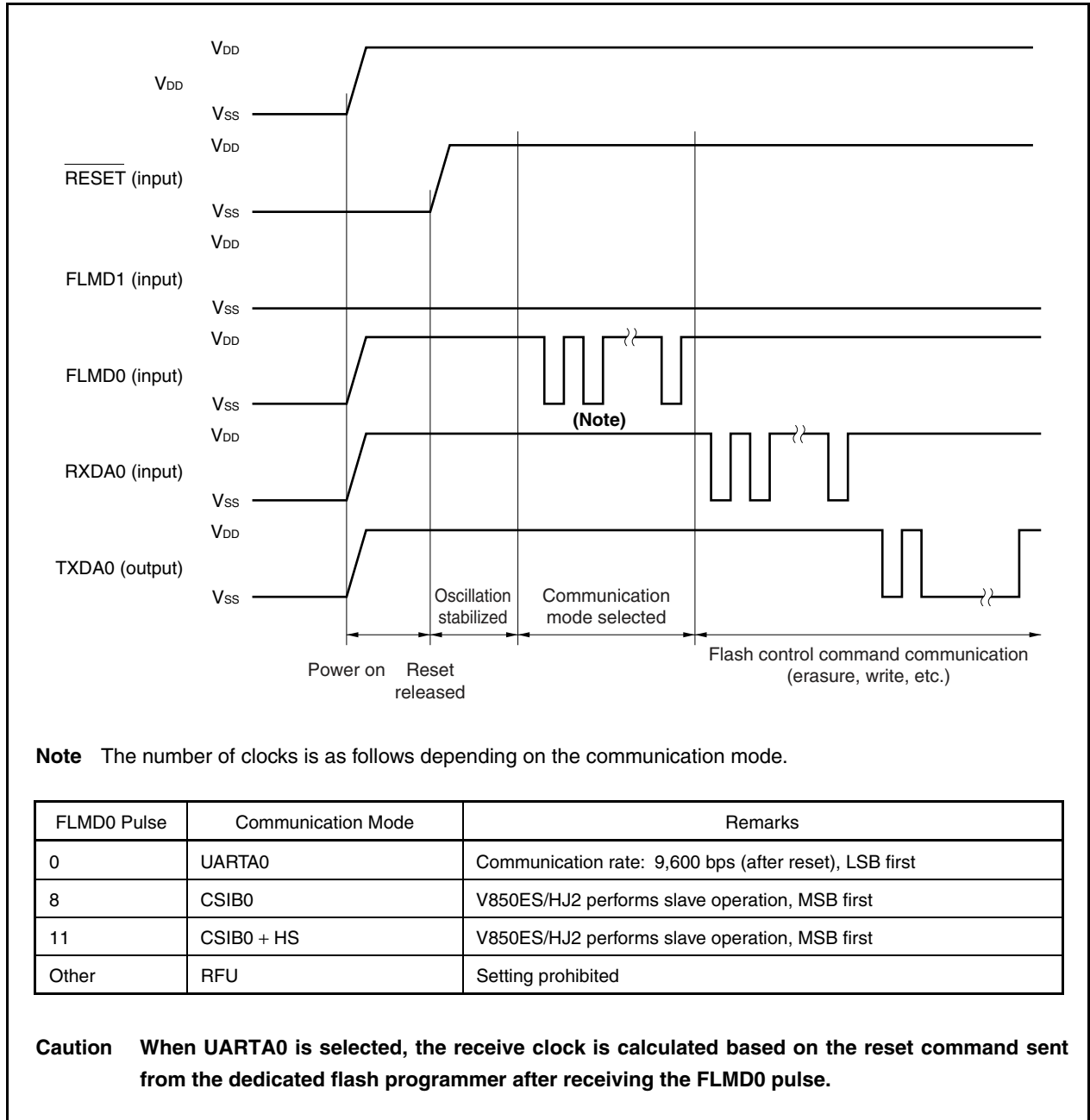


24.4.4 Selection of communication mode

In the V850ES/HJ2, the communication mode is selected by inputting pulses (11 pulses max.) to the FLMD0 pin after switching to the flash memory programming mode. The FLMD0 pulse is generated by the dedicated flash programmer.

The following shows the relationship between the number of pulses and the communication mode.

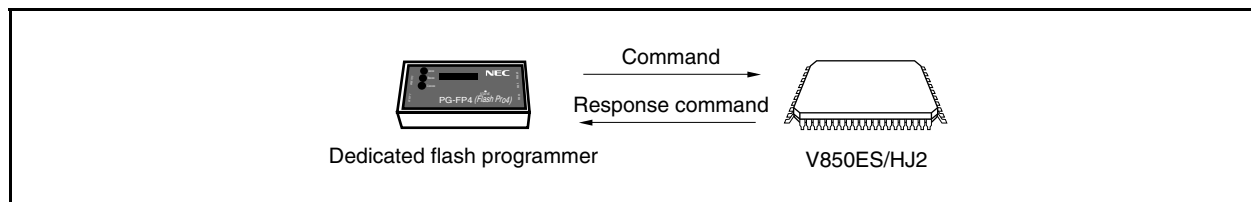
Figure 24-8. Selection of Communication Mode



24.4.5 Communication commands

The V850ES/HJ2 communicates with the dedicated flash programmer by means of commands. The signals sent from the dedicated flash programmer to the V850ES/HJ2 are called “commands”. The response signals sent from the V850ES/HJ2 to the dedicated flash programmer are called “response commands”.

Figure 24-9. Communication Commands



The following shows the commands for flash memory control in the V850ES/HJ2. All of these commands are issued from the dedicated flash programmer, and the V850ES/HJ2 performs the processing corresponding to the commands.

Table 24-7. Flash Memory Control Commands

Classification	Command Name	Support			Function
		CSIB0	CSIB0 + HS	UARTA0	
Blank check	Block blank check command	√	√	√	Checks if the contents of the memory in the specified block have been correctly erased.
Erase	Chip erase command	√	√	√	Erases the contents of the entire memory.
	Block erase command	√	√	√	Erases the contents of the memory of the specified block.
Write	Program command	√	√	√	Writes the specified address range, and executes a contents verify check.
Verify	Verify command	√	√	√	Compares the contents of memory in the specified address range with data transferred from the flash programmer.
	Checksum command	√	√	√	Reads the checksum in the specified address range.
System setting, control	Silicon signature command	√	√	√	Reads silicon signature information.
	Security setting command	√	√	√	Disables the chip erase command, block erase command, program command, and read command.

<R>

24.4.6 Pin connection

When performing on-board writing, mount a connector on the target system to connect to the dedicated flash programmer. Also, incorporate a function on-board to switch from the normal operation mode to the flash memory programming mode.

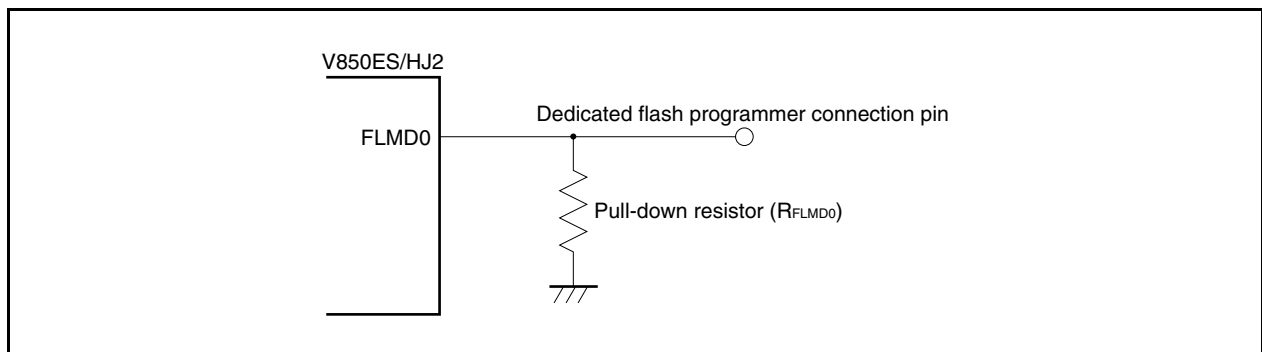
In the flash memory programming mode, all the pins not used for flash memory programming become the same status as that immediately after reset. Therefore, pin handling is required when the external device does not acknowledge the status immediately after a reset.

(1) FLMD0 pin

In the normal operation mode, input a voltage of V_{SS} level to the FLMD0 pin. In the flash memory programming mode, supply a write voltage of V_{DD} level to the FLMD0 pin.

Because the FLMD0 pin serves as a write protection pin in the self programming mode, a voltage of V_{DD} level must be supplied to the FLMD0 pin via port control, etc., before writing to the flash memory. For details, see **24.5.5 (1) FLMD0 pin**.

Figure 24-10. FLMD0 Pin Connection Example



(2) FLMD1 pin

When 0 V is input to the FLMD0 pin, the FLMD1 pin does not function. When V_{DD} is supplied to the FLMD0 pin, the flash memory programming mode is entered, so 0 V must be input to the FLMD1 pin. The following shows an example of the connection of the FLMD1 pin.

Figure 24-11. FLMD1 Pin Connection Example

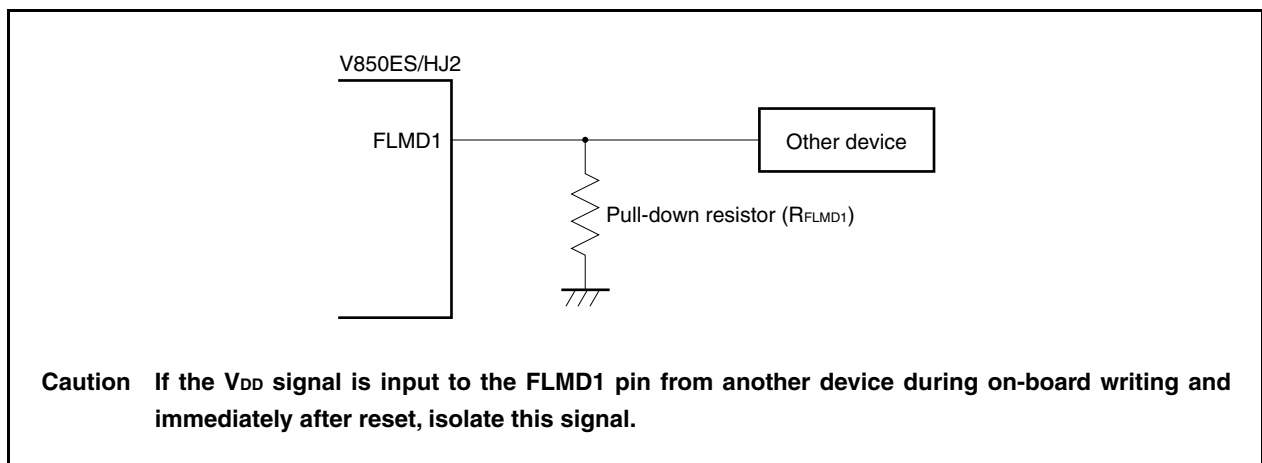


Table 24-8. Relationship Between FLMD0 and FLMD1 Pins and Operation Mode When Reset Is Released

FLMD0	FLMD1	Operation Mode
0	Don't care	Normal operation mode
V _{DD}	0	Flash memory programming mode
V _{DD}	V _{DD}	Setting prohibited

(3) Serial interface pin

The following shows the pins used by each serial interface.

Table 24-9. Pins Used by Serial Interfaces

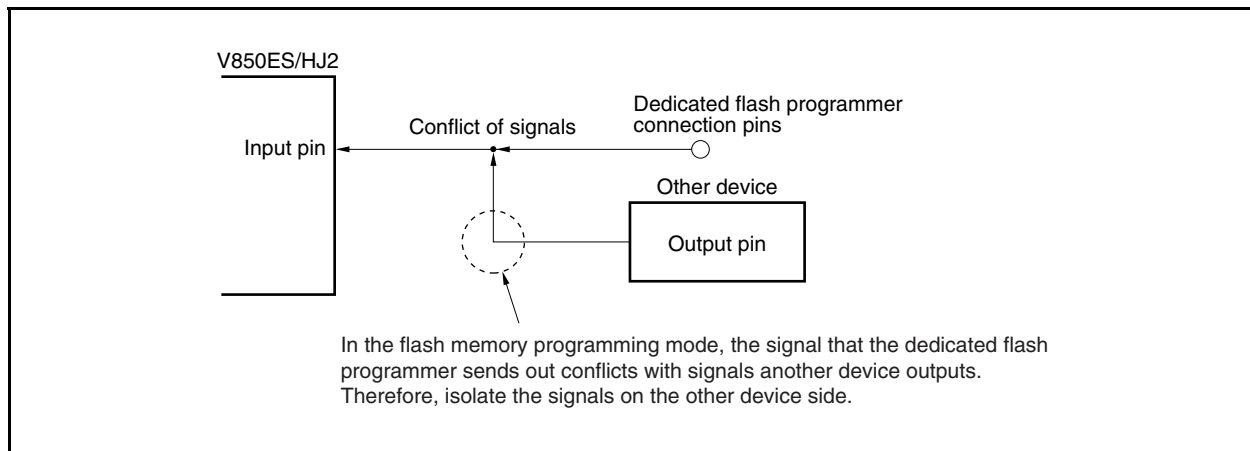
Serial Interface	Pins Used
UARTA0	TXDA0, RXDA0
CSIB0	SOB0, SIB0, $\overline{SCKB0}$
CSIB0 + HS	SOB0, SIB0, $\overline{SCKB0}$, PCMO

When connecting a dedicated flash programmer to a serial interface pin that is connected to another device on-board, care should be taken to avoid conflict of signals and malfunction of the other device.

(a) Conflict of signals

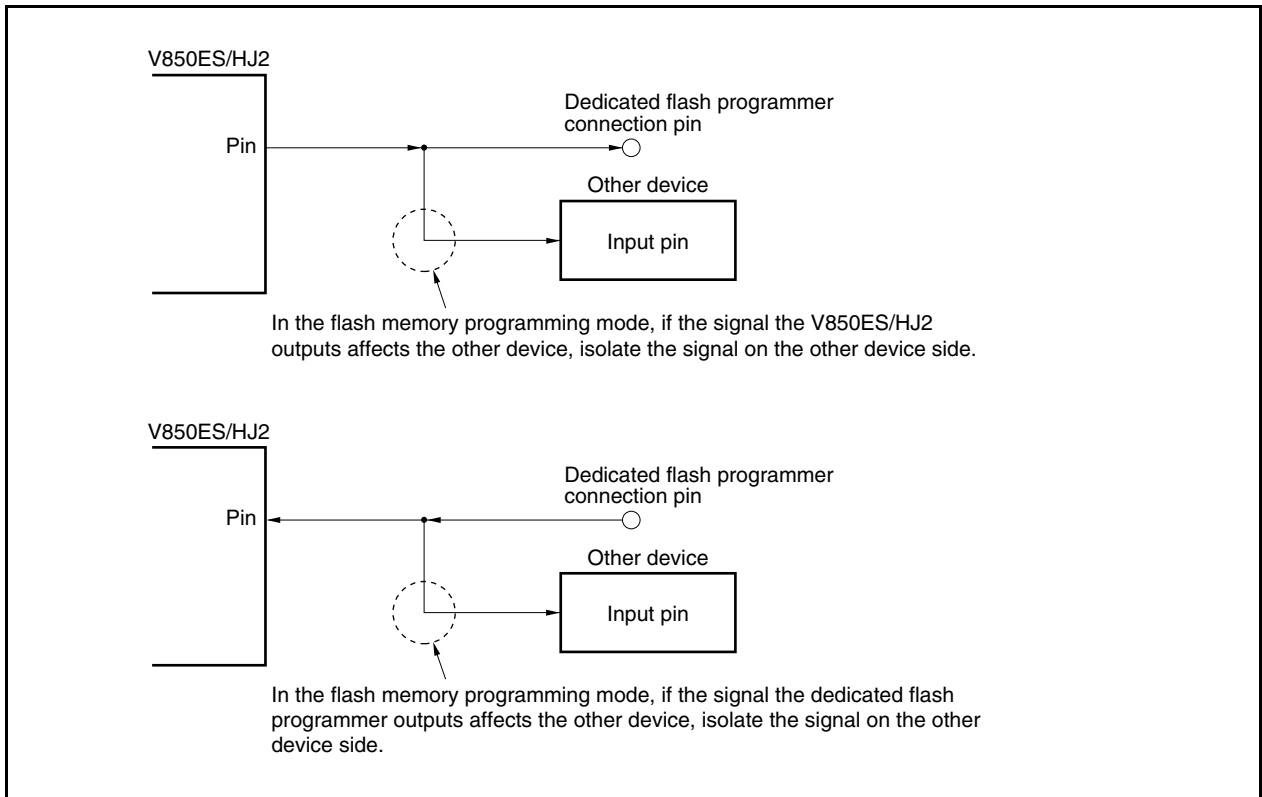
When the dedicated flash programmer (output) is connected to a serial interface pin (input) that is connected to another device (output), a conflict of signals occurs. To avoid the conflict of signals, isolate the connection to the other device or set the other device to the output high-impedance status.

Figure 24-12. Conflict of Signals (Serial Interface Input Pin)



(b) Malfunction of other device

When the dedicated flash programmer (output or input) is connected to a serial interface pin (input or output) that is connected to another device (input), the signal is output to the other device, causing the device to malfunction. To avoid this, isolate the connection to the other device.

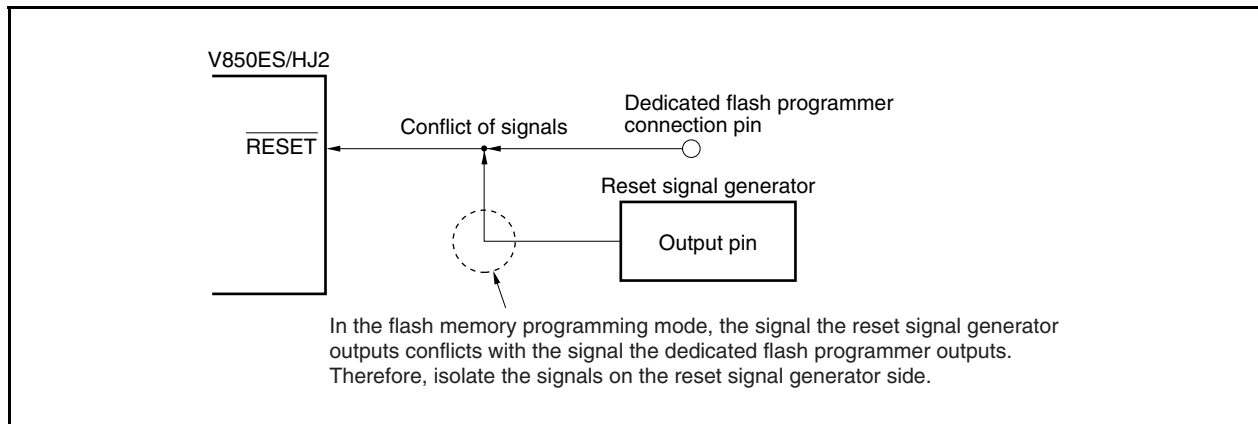
Figure 24-13. Malfunction of Other Device

(4) RESET pin

When the reset signals of the dedicated flash programmer are connected to the $\overline{\text{RESET}}$ pin that is connected to the reset signal generator on-board, a conflict of signals occurs. To avoid the conflict of signals, isolate the connection to the reset signal generator.

When a reset signal is input from the user system in the flash memory programming mode, the programming operation will not be performed correctly. Therefore, do not input signals other than the reset signals from the dedicated flash programmer.

Figure 24-14. Conflict of Signals ($\overline{\text{RESET}}$ Pin)

**(5) Port pins (including NMI)**

When the system shifts to the flash memory programming mode, all the pins that are not used for flash memory programming are in the same status as that immediately after reset. If the external device connected to each port does not recognize the status of the port immediately after reset, pins require appropriate processing, such as connecting to V_{DD} via a resistor or connecting to V_{SS} via a resistor.

(6) Other signal pins

Connect X1, X2, XT1, and XT2 in the same status as that in the normal operation mode.

During flash memory programming, input a low level to the $\overline{\text{DRST}}$ pin or leave it open. Do not input a high level.

(7) Power supply

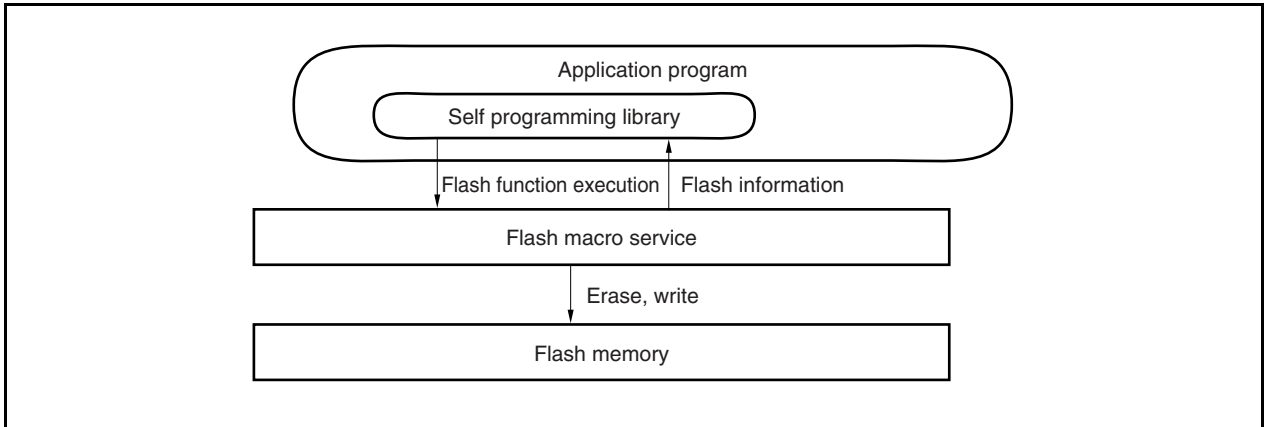
Supply the same power (V_{DD} , V_{SS} , EV_{DD} , EV_{SS} , BV_{DD} , BV_{SS} , AV_{REF0} , AV_{SS} , $REGC$) as in normal operation mode.

24.5 Rewriting by Self Programming

24.5.1 Overview

The V850ES/HJ2 supports a flash macro service that allows the user program to rewrite the internal flash memory by itself. By using this interface and a self programming library that is used to rewrite the flash memory with a user application program, the flash memory can be rewritten by a user application transferred in advance to the internal RAM or external memory. Consequently, the user program can be upgraded and constant data can be rewritten in the field.

Figure 24-15. Concept of Self Programming

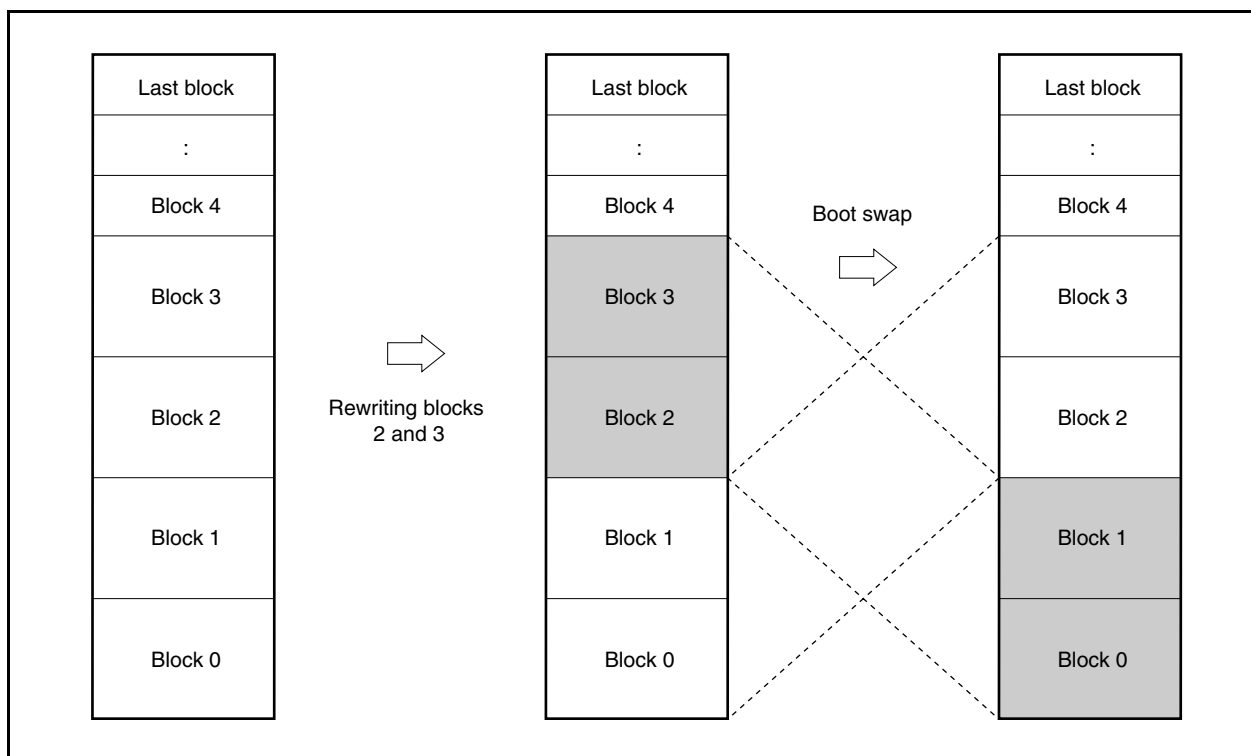


24.5.2 Features

(1) Secure self programming (boot swap function)

The V850ES/HJ2 supports a boot swap function that can exchange the physical memory of blocks 0 and 1 with the physical memory of blocks 2 and 3. By writing the start program to be rewritten to blocks 2 and 3 in advance and then swapping the physical memory, the entire area can be safely rewritten even if a power failure occurs during rewriting because the correct user program always exists in blocks 0 and 1.

Figure 24-16. Rewriting Entire Memory Area (Boot Swap)



(2) Interrupt support

Instructions cannot be fetched from the flash memory during self programming. Conventionally, a user handler written to the flash memory could not be used even if an interrupt occurred.

Therefore, in the V850ES/HJ2, to use an interrupt during self programming, processing transits to the specific address^{Note} in the internal RAM. Allocate the jump instruction that transits processing to the user interrupt servicing at the specific address^{Note} in the internal RAM.

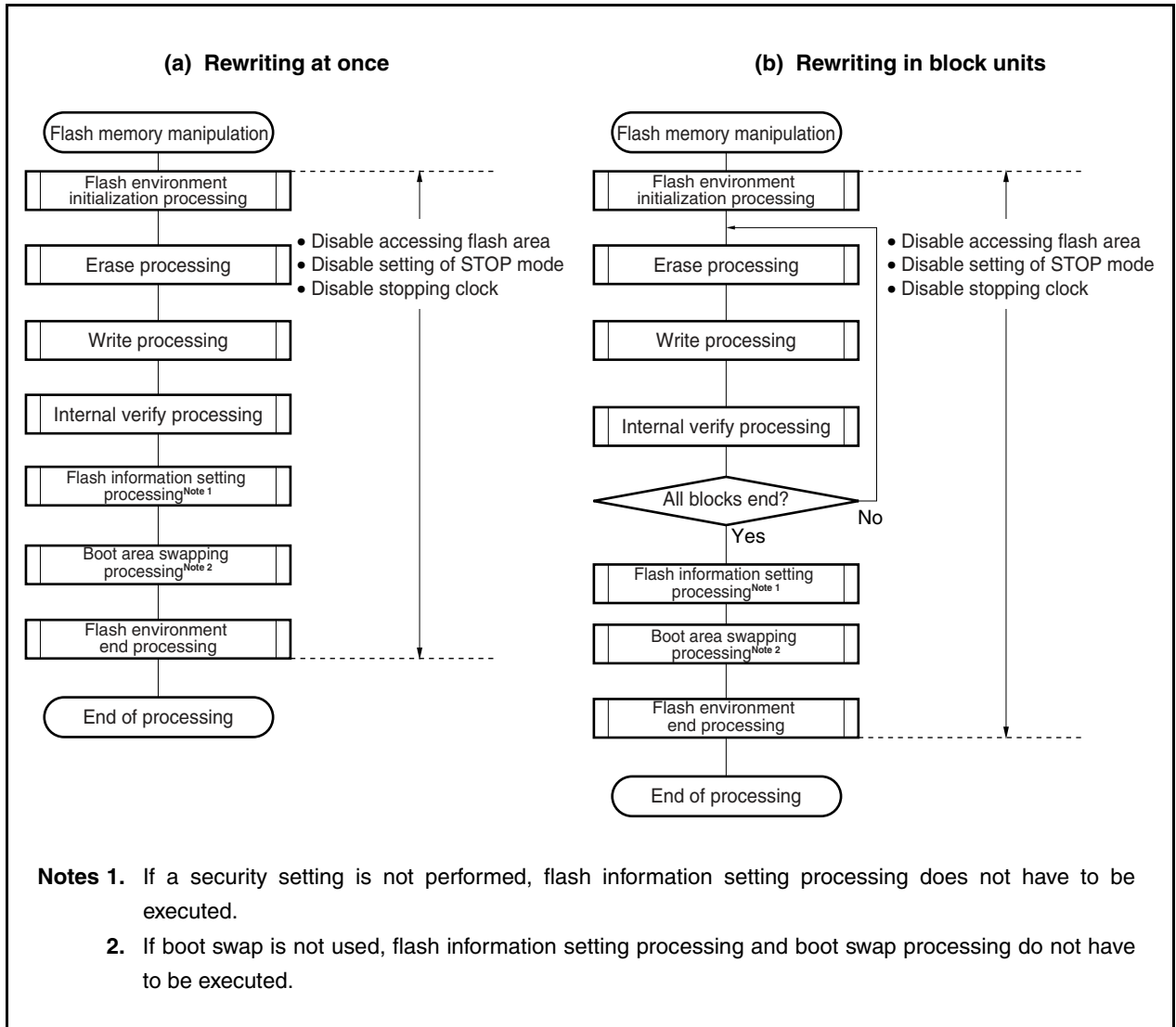
Note NMI interrupt: Start address of internal RAM
 Maskable interrupt: Start address of internal RAM + 4 addresses

24.5.3 Standard self programming flow

The entire processing to rewrite the flash memory by flash self programming is illustrated below.

<R>

Figure 24-17. Standard Self Programming Flow



24.5.4 Flash functions

Table 24-10. Flash Function List

Function Name	Outline	Support
FlashEnv	Initialization of flash control macro	√
FlashBlockErase	Erasure of specified one block	√
FlashWordWrite	Writing from specified address	√
FlashBlockVerify	Internal verification of specified one block	√
FlashBlockBlankCheck	Blank check of specified one block	√
FlashFLMDCheck	Check of FLMD pin	√
FlashStatusCheck	Status check of operation specified immediately before	√
FlashGetInfo	Reading of flash information	√
FlashSetInfo	Setting of flash information	√
FlashBootSwap	Swapping of boot area	√
FlashWordRead	Data read from specified address	√
FlashSetUserHandler	User interrupt handler registration function	√

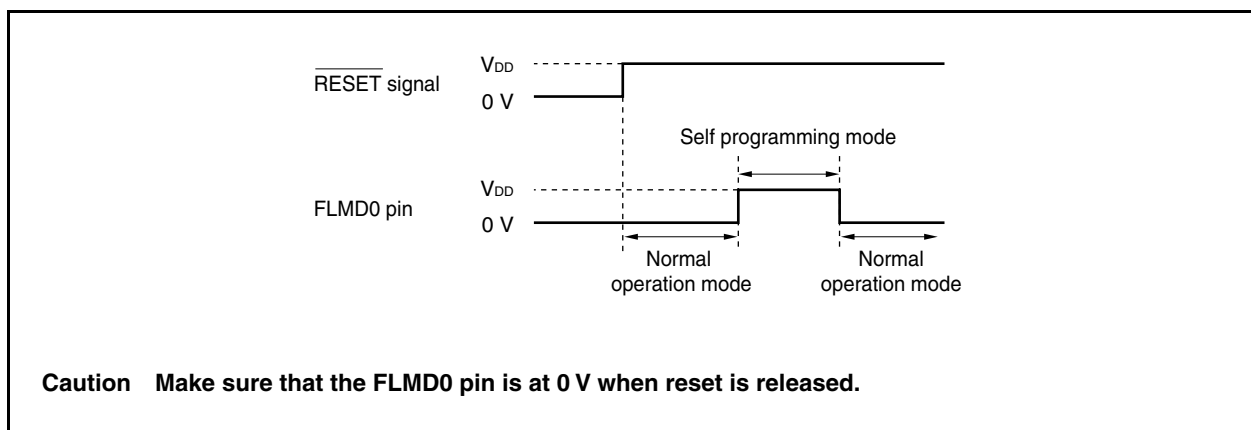
24.5.5 Pin processing

(1) FLMD0 pin

The FLMD0 pin is used to set the operation mode when reset is released and to protect the flash memory from being written during self rewriting. It is therefore necessary to keep the voltage applied to the FLMD0 pin at 0 V when reset is released and a normal operation is executed. It is also necessary to apply a voltage of V_{DD} level to the FLMD0 pin during the self programming mode period via port control before the memory is rewritten.

When self programming has been completed, the voltage on the FLMD0 pin must be returned to 0 V.

Figure 24-18. Mode Change Timing



24.5.6 Internal resources used

The following table lists the internal resources used for self programming. These internal resources can also be used freely for purposes other than self programming.

Table 24-11. Internal Resources Used

Resource Name	Description
<R> Stack area (user stack + 300 bytes)	An extension of the stack used by the user is used by the library (can be used in both the internal RAM and external RAM).
<R> Library code (about 2,500 bytes)	Program entity of library (can be used anywhere other than the flash memory block to be manipulated).
Application program	Executed as a user application. Calls flash functions.
Maskable interrupt	Can be used in user application execution status or self programming status. To use this interrupt in the self-programming status, since the processing transits to the address of the internal RAM start address + 4 addresses, allocate the jump instruction that transits the processing to the user interrupt servicing at the address of the internal RAM start address + 4 addresses in advance.
NMI interrupt	Can be used in user application execution status or self programming status. To use this interrupt in the self-programming status, since the processing transits to the address of the internal RAM start address, allocate the jump instruction that transits the processing to the user interrupt servicing at the internal RAM start address in advance.

CHAPTER 25 OPTION BYTE FUNCTION

The option byte is stored in address 000007AH of the internal flash memory (internal ROM area) as 8-bit data.

When writing a program to the V850ES/HJ2, be sure to set the option data corresponding to the following option in the program at address 000007AH as default data.

The data in this area cannot be rewritten during program execution.

Address: 000007AH

7	6	5	4	3	2	1	0
OPB7	OPB6	–	–	–	–	OPB1	OPB0

OPB7	OPB6	Subclock operation mode setting
0	0	Crystal resonator mode
1	1	RC oscillator mode

OPB1	Watchdog timer 2 mode setting
0	Operating clock (f_x/f_R) selectable INTWDT2 mode/WDTRES mode selectable
1	Fixed to internal oscillation clock (f_R) Fixed to WDTRES mode

OPB0	Stopping internal oscillator enable/disable
0	Stopping enabled
1	Stopping disabled

<R> A sample program for using the CA850 is shown below.

[Sample Program]

```
#-----  
# OPTION_BYTES  
#-----  
.section "OPTION_BYTES"  
.byte 0b00000001 -- 0x7a  
.byte 0b00000000 -- 0x7b  
.byte 0b00000000 -- 0x7c  
.byte 0b00000000 -- 0x7d  
.byte 0b00000000 -- 0x7e  
.byte 0b00000000 -- 0x7f
```

Caution Be sure to write for 6 bytes in this section. If less than 6 bytes, an error occurs on a linker operation.

Error message: F4112: illegal "OPTION_BYTES" section size.

Remark Set 0x00 to addresses 007BH to 007FH.

CHAPTER 26 ON-CHIP DEBUG FUNCTION

The V850ES/HJ2 on-chip debug function can be implemented by the following two methods.

- Using the DCU (debug control unit)
On-chip debug function is implemented by the on-chip DCU in the V850ES/HJ2, with using the $\overline{\text{DRST}}$, DCK, DMS, DDI, and DDO pins as the debug interface pins.
- Not using the DCU
On-chip debug function is implemented by MINICUBE2 or the like, using the user resources, instead of the DCU.

The following table shows the features of the two on-chip debug functions.

Table 26-1. On-Chip Debug Function Features

		Debugging Using DCU	Debugging Without Using DCU
Debug interface pins		$\overline{\text{DRST}}$, DCK, DMS, DDI, DDO	<ul style="list-style-type: none"> • When UARTA0 is used RXD0, TXD0 • When CSIB0 is used SIB0, SOB0, SCKB0, HS (PCM0)
Securement of user resources		Not required	Required
Hardware break function		2 points	2 points
Software break function	Internal ROM area	4 points	4 points
	Internal RAM area	2000 points	2000 points
Real-time RAM monitor function ^{Note 1}		Available	Available
Dynamic memory modification (DMM) function ^{Note 2}		Available	Available
Mask function		Reset, NMI, INTWDT2, $\overline{\text{HLDRQ}}$, $\overline{\text{WAIT}}$	$\overline{\text{RESET}}$ pin
ROM security function		10-byte ID code authentication	10-byte ID code authentication
Hardware used		NINICUBE [®] , etc.	NINICUBE2, etc.
Trace function		Not supported.	Not supported.
Debug interrupt interface function (DBINT)		Not supported.	Not supported.

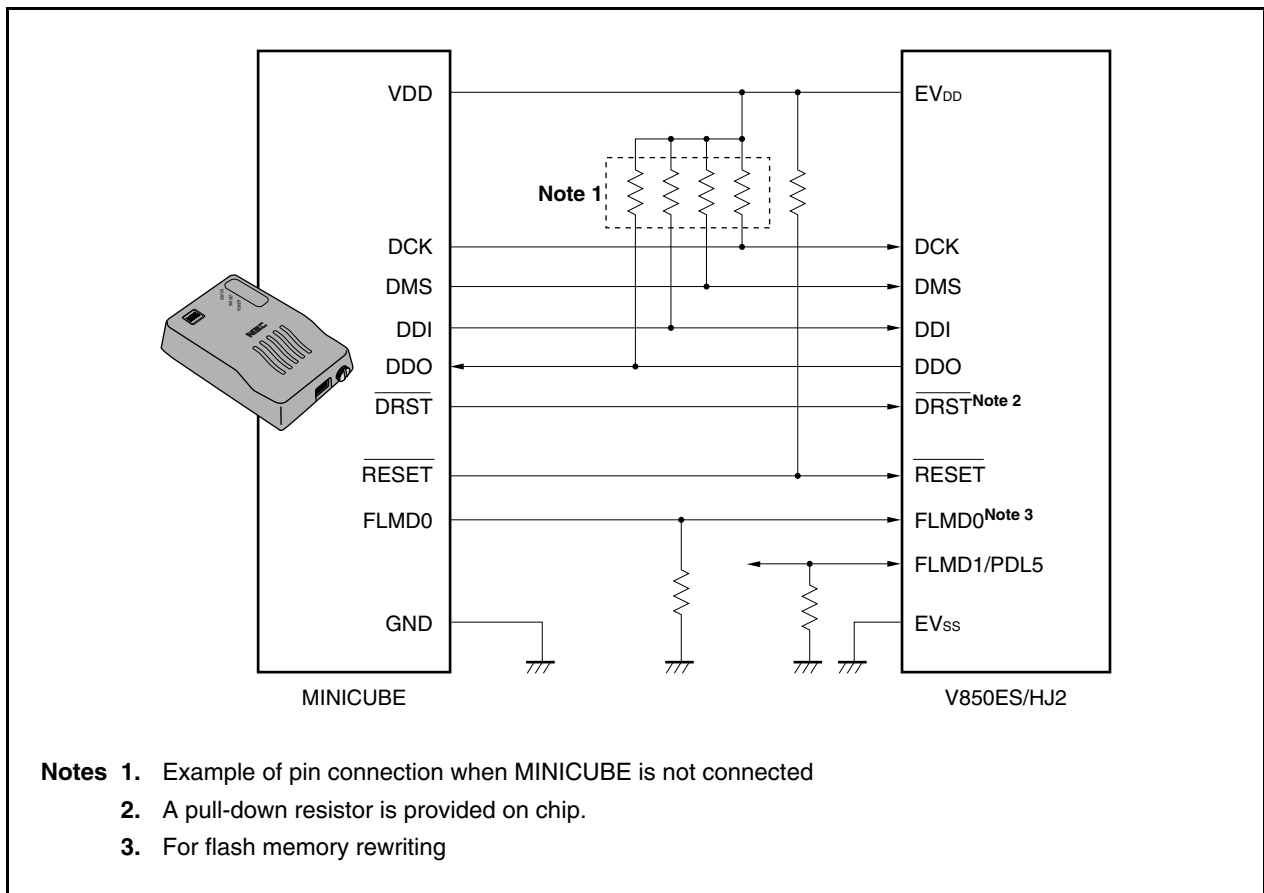
- Notes**
1. This is a function which reads out memory contents during program execution.
 2. This is a function which rewrites RAM contents during program execution.

26.1 Debugging with DCU

Programs can be debugged using the debug interface pins ($\overline{\text{DRST}}$, DCK, DMS, DDI, and DDO) to connect the on-chip debug emulator (MINICUBE).

26.1.1 Connection circuit example

Figure 26-1. Circuit Connection Example When Debug Interface Pins Are Used for Communication Interface



26.1.2 Interface signals

The interface signals are described below.

(1) $\overline{\text{DRST}}$

This is a reset input signal for the on-chip debug unit. It is a negative-logic signal that asynchronously initializes the debug control unit.

MINICUBE raises the $\overline{\text{DRST}}$ signal when it detects V_{DD} of the target system after the integrated debugger is started, and starts the on-chip debug unit of the device.

When the $\overline{\text{DRST}}$ signal goes high, a reset signal is also generated in the CPU.

When starting debugging by starting the integrated debugger, a CPU reset is always generated.

(2) DCK

This is a clock input signal. It supplies a 20 MHz clock from MINICUBE. In the on-chip debug unit, the DMS and DDI signals are sampled at the rising edge of the DCK signal, and the data DDO is output at its falling edge.

(3) DMS

This is a transfer mode select signal. The transfer status in the debug unit changes depending on the level of the DMS signal.

(4) DDI

This is a data input signal. It is sampled in the on-chip debug unit at the rising edge of DCK.

(5) DDO

This is a data output signal. It is output from the on-chip debug unit at the falling edge of the DCK signal.

(6) EV_{DD}

This signal is used to detect VDD of the target system. If VDD from the target system is not detected, the signals output from MINICUBE (\overline{DRST} , DCK, DMS, DDI, FLMD0, and \overline{RESET}) go into a high-impedance state.

(7) FLMD0

The flash self programming function is used for the function to download data to the flash memory via the integrated debugger. During flash self programming, the FLMD0 pin must be kept high. In addition, connect a pull-down resistor to the FLMD0 pin.

The FLMD0 pin can be controlled in either of the following two ways.

<1> To control from MINICUBE

Connect the FLMD0 signal of MINICUBE to the FLMD0 pin.

In the normal mode, nothing is driven by MINICUBE (high impedance).

During a break, MINICUBE raises the FLMD0 pin to the high level when the download function of the integrated debugger is executed.

<2> To control from port

Connect any port of the device to the FLMD0 pin.

The same port as the one used by the user program to realize the flash self programming function may be used.

On the console of the integrated debugger, make a setting to raise the port pin to high level before executing the download function, or lower the port pin after executing the download function.

For details, refer to the **ID850QB Ver. 3.10 Integrated Debugger Operation User's Manual (U17435E)**.

(8) \overline{RESET}

This is a system reset input pin. If the \overline{DRST} pin is made invalid by the value of the OCDM0 bit of the OCDM register set by the user program, on-chip debugging cannot be executed. Therefore, reset is effected by MINICUBE, using the \overline{RESET} pin, to make the \overline{DRST} pin valid (initialization).

26.1.3 Maskable functions

Reset, NMI, INTWDT2, $\overline{\text{WAIT}}$, and $\overline{\text{HLDRQ}}$ signals can be masked.

The maskable functions with the debugger (ID850QB) and the corresponding V850ES/HJ2 functions are listed below.

Table 26-2. Maskable Functions

Maskable Functions with ID850QB	Corresponding V850ES/HJ2 Functions
NMI0	NMI pin input
NMI2	Non-maskable interrupt request signal (INTWDT2) generation
STOP	–
HOLD	$\overline{\text{HLDRQ}}$ pin input
RESET	Reset signal generation by $\overline{\text{RESET}}$ pin input, low-voltage detector, clock monitor, power-on clear circuit, or watchdog timer (WDT2) overflow
WAIT	$\overline{\text{WAIT}}$ pin input

26.1.4 Register

(1) On-chip debug mode register (OCDM)

The OCDM register is used to select the normal operation mode or on-chip debug mode. This register is a special register and can be written only in a combination of specific sequences (see **3.4.7 Special registers**). This register is also used to specify whether a pin provided with an on-chip debug function is used as an on-chip debug pin or as an ordinary port/peripheral function pin. It also is used to disconnect the internal pull-down resistor of the P05/INTP2/ $\overline{\text{DRST}}$ pin.

The OCDM register can be written only while a low level is input to the $\overline{\text{DRST}}$ pin.

This register can be read or written in 8-bit or 1-bit units.

After reset: 01H^{Note} R/W Address: FFFFF9FCH

	7	6	5	4	3	2	1	0
OCDM	0	0	0	0	0	0	0	OCDM0

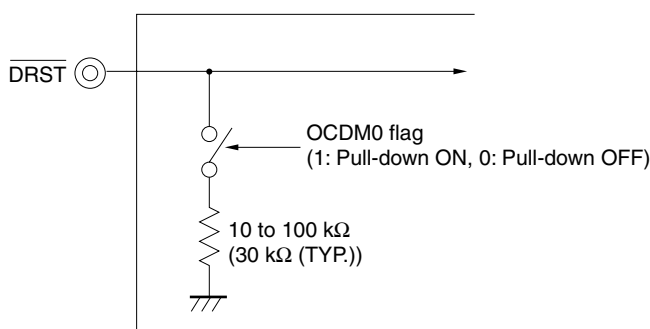
OCDM0	Operation mode
0	Selects normal operation mode (in which a pin that functions alternately as on-chip debug function pin is used as a port/peripheral function pin) and disconnects the on-chip pull-down resistor of the P05/INTP2/ \overline{DRST} pin.
1	When \overline{DRST} pin is low: Normal operation mode (in which a pin that functions alternately as an on-chip debug function pin is used as a port/peripheral function pin) When \overline{DRST} pin is high: On-chip debug mode (in which a pin that functions alternately as an on-chip debug function pin is used as an on-chip debug mode pin)

Note \overline{RESET} input sets this register to 01H. After reset by the WDT2RES signal, clock monitor (CLM), or low-voltage detector (LVI), power-on clear circuit (POC), however, the value of the OCDM0 register is retained.

Cautions 1. When using the DDI, DDO, DCK, and DMS pins not as on-chip debug pins but as port pins after external reset, any of the following actions must be taken.

- Input a low level to the P05/INTP2/ \overline{DRST} pin.
- Set the OCDM0 bit. In this case, take the following actions.
 - <1> Clear the OCDM0 bit to 0.
 - <2> Fix the P05/INTP2/ \overline{DRST} pin to low level until <1> is completed.

2. The \overline{DRST} pin has an on-chip pull-down resistor. This resistor is disconnected when the OCDM0 flag is cleared to 0.



26.1.5 Operation

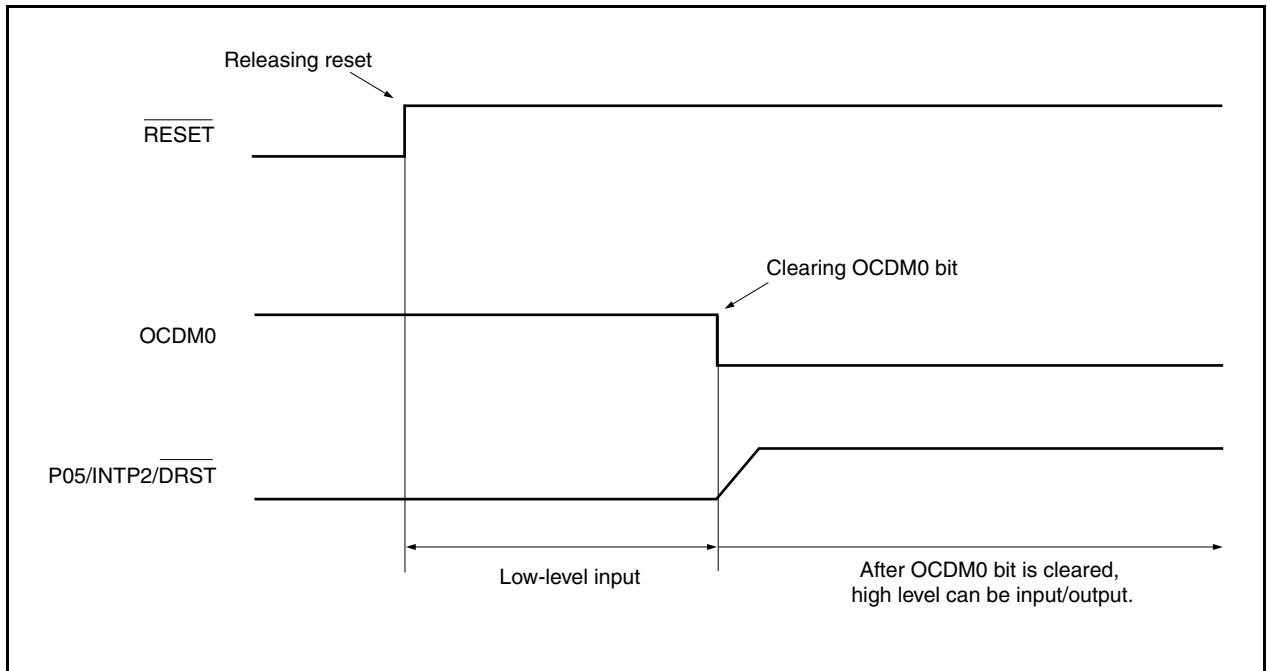
The on-chip debug function is made invalid under the conditions shown in the table below.

When this function is not used, keep the $\overline{\text{DRST}}$ pin low until the OCDM.OCDM0 flag is cleared to 0.

OCDM0 Flag $\overline{\text{DRST}}$ Pin	0	1
L	Invalid	Invalid
H	Invalid	Valid

Remark L: Low-level input
H: High-level input

Figure 26-2. Timing When On-Chip Debug Function Is Not Used



26.1.6 Cautions

- (1) If a reset signal is input (from the target system or a reset signal from an internal reset source) during RUN (program execution), the break function may malfunction.
- (2) Even if the reset signal is masked by the mask function, the I/O buffer (port pin) may be reset if a reset signal is input from a pin.
- (3) Because a software breakpoint set in the internal flash memory is made temporarily invalid by target reset or internal reset generated by watchdog timer 2. The breakpoint becomes valid again when a hardware break or forced break occurs, but a software break does not occur until then.
- (4) Pin reset during a break is masked and the CPU and peripheral I/O are not reset. If pin reset or internal reset is generated as soon as the flash memory is rewritten by DMM or read by the RAM monitor function while the user program is being executed, the CPU and peripheral I/O may not be correctly reset.
- (5) When the following conditions (a) and (b) are satisfied and operation is stopped on the emulator (IECUBE®, MINICUBE) due to a break, etc., watchdog timer 2 does not stop and a reset or non-maskable interrupt occurs. When a reset occurs, the debugger hangs up.
 - (a) The main clock or subclock is used as the source clock for watchdog timer 2.
 - (b) The internal oscillation clock is stopped (RCM.RSTOP bit = 1).

To avoid this, perform either of the following.

- When an emulator is used, use the internal oscillation clock as the source clock.
- When an emulator is used, do not stop the internal oscillator.

- (6) When the following conditions (a) and (b) are satisfied and operation is stopped on the emulator (IECUBE, MINICUBE) due to a break, etc., TMM does not stop even if the peripheral break function is set to "Break".
 - (a) Either the INTWT, internal oscillation clock ($f_R/8$), or subclock are selected as the TMM source clock.
 - (b) The main clock is stopped.

To avoid this, perform either of the following.

- When an emulator is used, the main clock (f_{xx} , $f_{xx}/2$, $f_{xx}/4$, $f_{xx}/64$, $f_{xx}/512$) is used as the source clock.
- When an emulator is used, disable the main clock oscillation.

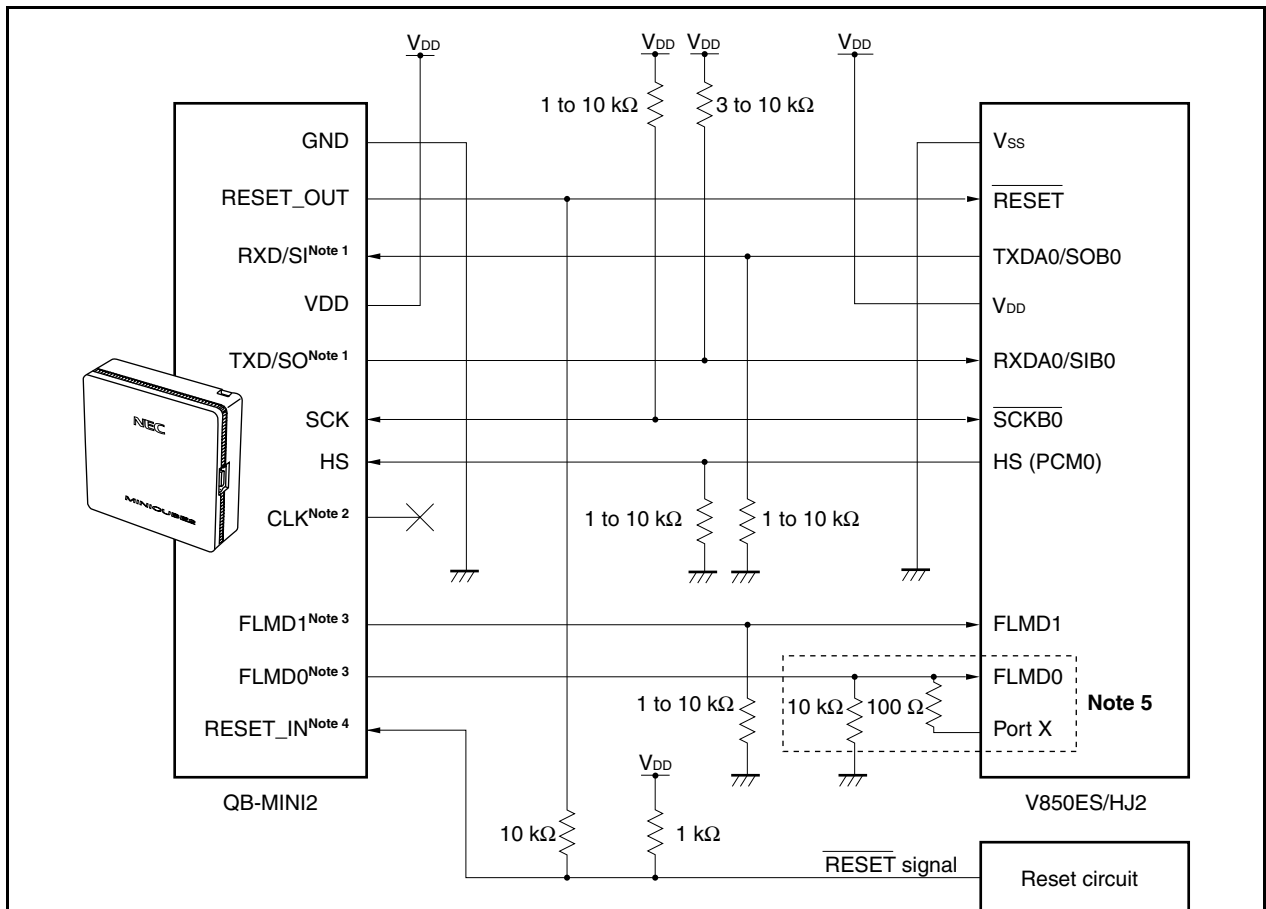
- (7) In the on-chip debug mode, the DDO pin is forcibly set to the high-level output.

26.2 Debugging Without Using DCU

The following describes how to implement an on-chip debug function using MINICUBE2 with pins for UARTA0 (RXDA0 and TXDA0), or pins for CSIB0 (SIB0, SOB0, $\overline{\text{SCKB0}}$, and HS (PMC0)) as debug interfaces, without using the DCU.

26.2.1 Circuit connection examples

Figure 26-3. Circuit Connection Example When UARTA0/CSIB0 Is Used for Communication Interface



- Notes**
1. Connect TXDA0/SOB0 (transmit side) of the V850ES/HJ2 to RXD/SI (receive side) of the target connector, and TXD/SO (transmit side) of the target connector to RXDA0/SIB0 (receive side) of the V850ES/HJ2.
 2. This pin may be used to supply a clock from MINICUBE2 during flash memory programming. For details, refer to **CHAPTER 24 FLASH MEMORY**.
 3. The alternate function of this pin can be used because this pin goes to Hi-Z while the memory is not written during a break when debugging.
 4. This connection is designed assuming that the $\overline{\text{RESET}}$ signal is output from the N-ch open-drain buffer (output resistance: 100 Ω or less).
 5. The circuit enclosed by a dashed line is designed for flash self programming, which controls the FLMD0 pin via ports. Use the port for inputting or outputting the high level. When flash self programming is not performed, a pull-down resistance for the FLMD0 pin can be within 1 to 10 k Ω .

Remark Refer to **Table 26-3** for pins used when UARTA0, or CSIB0 is used for communication interface.

Table 26-3. Wiring Between V850ES/HJ2 and MINICUBE2

Pin Configuration of MINICUBE2 (QB-MINI2)			With CSIB0-HS		With UARTA	
Signal Name	I/O	Pin Function	Pin Name	Pin No.	Pin Name	Pin No.
SI/RxD	Input	Pin to receive commands and data from V850ES/HJ2	P41/SOB0	23	P30/TXD0	25
SO/TxD	Output	Pin to transmit commands and data to V850ES/HJ2	P40/SIB0	22	P31/RXD0	26
SCK	Output	Clock output pin for 3-wire serial communication	P42/ $\overline{\text{SCKB0}}$	24	Not needed	–
CLK ^{Note}	Output	Clock output pin to V850ES/HJ2	Not needed ^{Note}	–	Not needed ^{Note}	–
			Not needed ^{Note}	–	Not needed ^{Note}	–
RESET_OUT	Output	Reset output pin to V850ES/HJ2	$\overline{\text{RESET}}$	14	$\overline{\text{RESET}}$	14
FLMD0	Output	Output pin to set V850ES/HJ2 to debug mode or programming mode	FLMD0	8	FLMD0	8
FLMD1	Output	Output pin to set programming mode	PDL5/AD5/ FLMD1	110	PDL5/AD5/ FLMD1	110
HS	Input	Handshake signal for CSIO + HS communication	PCM0/ $\overline{\text{WAIT}}$	85	Not needed	–
GND	–	Ground	V _{SS}	11	V _{SS}	11
			AV _{SS}	2	AV _{SS}	2
			BV _{SS}	103	BV _{SS}	69
			EV _{SS}	33	EV _{SS}	33
RESET_IN	Input	Reset input pin on the target system				

Note It is used as the clock output of the flash programmer for MINICUBE2. For details, refer to **CHAPTER 24 FLASH MEMORY**.

26.2.2 Maskable functions

Only reset signals can be masked.

The maskable functions with the debugger (ID850QB) and the corresponding V850ES/HJ2 functions are listed below.

Table 26-4. Maskable Functions

Maskable Functions with ID850QB	Corresponding V850ES/HJ2 Functions
NMI0	–
NMI1	–
NMI2	–
STOP	–
HOLD	–
RESET	Reset signal generation by $\overline{\text{RESET}}$ pin input
WAIT	–

26.2.3 Securement of user resources

The user must prepare the following to perform communication between MINICUBE2 and the target device and implement each debug function. These items need to be set in the user program or using the compiler options.

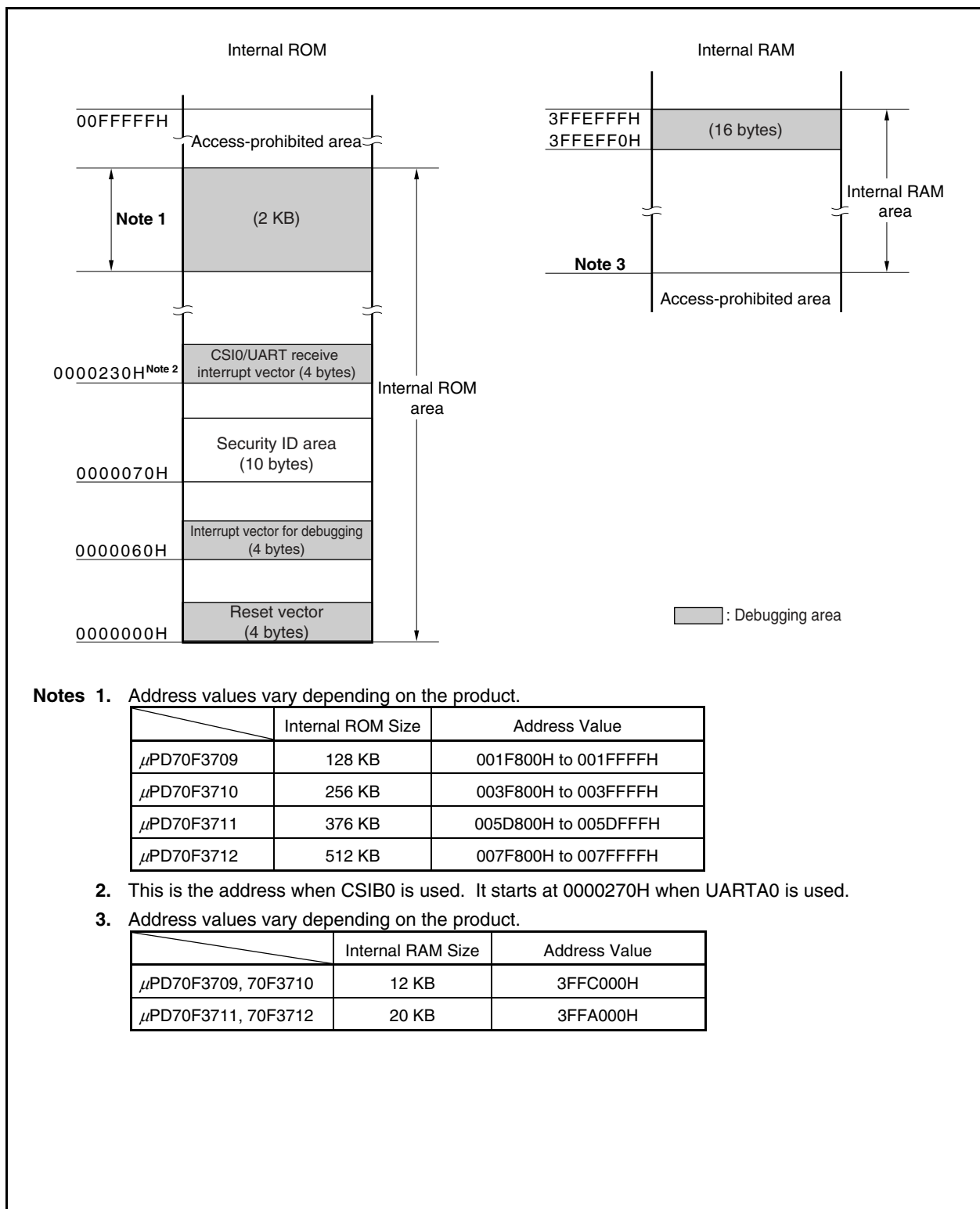
(1) Securement of memory space

The shaded portions in Figure 26-4 are the areas reserved for placing the debug monitor program, so user programs and data cannot be allocated in these spaces. These spaces must be secured so as not to be used by the user program.

(2) Security ID setting

The ID code must be embedded in the area between 0000070H and 0000079H in Figure 26-4, to prevent the memory from being read by an unauthorized person. For details, refer to **26.3 ROM Security Function**.

Figure 26-4. Memory Spaces Where Debug Monitor Programs Are Allocated



Notes 1. Address values vary depending on the product.

	Internal ROM Size	Address Value
μPD70F3709	128 KB	001F800H to 001FFFFH
μPD70F3710	256 KB	003F800H to 003FFFFH
μPD70F3711	376 KB	005D800H to 005DFFFH
μPD70F3712	512 KB	007F800H to 007FFFFH

2. This is the address when CSIB0 is used. It starts at 0000270H when UARTA0 is used.

3. Address values vary depending on the product.

	Internal RAM Size	Address Value
μPD70F3709, 70F3710	12 KB	3FFC000H
μPD70F3711, 70F3712	20 KB	3FFA000H

(3) Reset vector

A reset vector includes the jump instruction for the debug monitor program.

[How to secure areas]

It is not necessary to secure this area intentionally. When downloading a program, however, the debugger rewrites the reset vector in accordance with the following cases. If the rewritten pattern does not match the following cases, the debugger generates an error (F0C34 when using the ID850QB).

(a) When two nop instructions are placed in succession from address 0

Before rewriting		After rewriting
0x0 nop	→	Jumps to debug monitor program at 0x0
0x2 nop		0x4 xxxx
0x4 xxxx		

(b) When two 0xFFFF are successively placed from address 0 (already erased device)

Before rewriting		After rewriting
0x0 0xFFFF	→	Jumps to debug monitor program at 0x0
0x2 0xFFFF		0x4 xxxx
0x4 xxxx		

(c) The jr instruction is placed at address 0 (when using CA850)

Before rewriting		After rewriting
0x0 jr disp22	→	Jumps to debug monitor program at 0x0
		0x4 jr disp22 - 4

(d) mov32 and jmp are placed in succession from address 0 (when using IAR compiler ICCV850)

Before rewriting		After rewriting
0x0 mov imm32,reg1	→	Jumps to debug monitor program at 0x0
0x6 jmp [reg1]		0x4 mov imm32,reg1
		0xa jmp [reg1]

(e) The jump instruction for the debug monitor program is placed at address 0

Before rewriting		After rewriting
Jumps to debug monitor program at 0x0	→	No change

(4) Securement of area for debug monitor program

The shaded portions in Figure 26-4 are the areas where the debug monitor program is allocated. The monitor program performs initialization processing for debug communication interface and RUN or break processing for the CPU. The internal ROM area must be filled with 0xFF. This area must not be rewritten by the user program.

[How to secure areas]

It is not necessarily required to secure this area if the user program does not use this area.

To avoid problems that may occur during the debugger startup, however, it is recommended to secure this area in advance, using the compiler.

The following shows examples for securing the area, using the NEC Electronics compiler CA850. Add the assemble source file and link directive code, as shown below.

- Assemble source (Add the following code as an assemble source file.)

```

-- Secures 2 KB space for monitor ROM section
.section "MonitorROM", const
.space 0x800, 0xff

-- Secures interrupt vector for debugging
.section "DBG0"
.space 4, 0xff

-- Secures interrupt vector for serial communication
-- Change the section name according to the serial communication mode used
.section "INTCB0R"
.space 4, 0xff

-- Secures 16-byte space for monitor RAM section
.section "MonitorRAM", bss
.lcomm monitorramsym, 16, 4 -- defines symbol monitorramsym

```

- Link directive (Add the following code to the link directive file.)

The following shows an example when the internal ROM has 256 KB (end address is 003FFFFH) and internal RAM has 12 KB (end address is 3FFEFFFH).

```

MROMSEG : !LOAD ?R V0x03f800{
        MonitorROM = $PROGBITS ?A MonitorROM;
};

MRAMSEG : !LOAD ?RW V0x03ffeff0{
        MonitorRAM = $NOBITS ?AW MonitorRAM;
};

```

(5) Securement of communication serial interface

UARTA0 or CSIB0 is used for communication between MINICUBE2 and the target system. The settings related to the serial interface modes are performed by the debug monitor program, but if the setting is changed by the user program, a communication error may occur.

To prevent such a problem from occurring, communication serial interface must be secured in the user program.

[How to secure communication serial interface]

- On-chip debug mode register (OCDM)

For the on-chip debug function using the UARTA0 or CSIB0, set the OCDM register functions to normal mode. Be sure to set as follows.

 - Input low level to the P05/INTP2/ $\overline{\text{DRST}}$ pin.
 - Set the OCDM0 bit as shown below.
 - <1> Clear the OCDM0 bit to 0.
 - <2> Fix the P05/INTP2/ $\overline{\text{DRST}}$ pin input to low level until the processing of <1> is complete.
- Serial interface registers

Do not set the registers related to CSIB0 or UARTA0 in the user program.
- Interrupt mask register

When CSIB0 is used, do not mask the transmit end interrupt (INTCB0R). When UARTA0 is used, do not mask the receive end interrupt (INTUA0R).

(a) When CSIB0 is used

	7	6	5	4	3	2	1	0
CB0RIC	×	0	×	×	×	×	×	×

(b) When UARTA0 is used

	7	6	5	4	3	2	1	0
UA0RIC	×	0	×	×	×	×	×	×

Remark ×: don't care

- Port registers when UAR_{TA0} is used

When UAR_{TA0} is used, port registers are set to make the TXDA₀ and RXDA₀ pins valid by the debug monitor program. Do not change the following register settings with the user program during debugging. (The same value can be overwritten.)

	7	6	5	4	3	2	1	0
PMC3L	x	x	x	x	x	x	1	1

Remark x: don't care

- Port registers when CSIB₀ is used

When CSIB₀ is used, port registers are set to make the SIB₀, SOB₀, $\overline{\text{SCKB}}_0$, and HS (PMC₀) pins valid by the debug monitor program. Do not change the following register settings with the user program during debugging. (The same value can be overwritten.)

(a) SIB₀, SOB₀, and $\overline{\text{SCKB}}_0$ settings

	7	6	5	4	3	2	1	0
PMC4	x	x	x	x	x	1	1	1

(b) HS (PMC₀ pin) settings

	7	6	5	4	3	2	1	0
PMCM	x	x	x	x	x	x	x	0
PCM	x	x	x	x	x	x	x	Note

Note Writing to this bit is prohibited.
The port values corresponding to the HS pin are changed by the monitor program according to the debugger status. To perform port register settings in 8-bit units, the user program can usually use read-modify-write. If an interrupt for debugging occurs before writing, however, an unexpected operation may be performed.

Remark x: don't care

26.2.4 Cautions

(1) Handling of device that was used for debugging

Do not mount a device that was used for debugging on a mass-produced product, because the flash memory was rewritten during debugging and the number of rewrites of the flash memory cannot be guaranteed. Moreover, do not embed the debug monitor program into mass-produced products.

(2) When breaks cannot be executed

Forced breaks cannot be executed if one of the following conditions is satisfied.

- Interrupts are disabled (DI)
- Interrupts issued for the serial interface, which is used for communication between MINICUBE2 and the target device, are masked
- Standby mode is entered while standby release by a maskable interrupt is prohibited
- Mode for communication between MINICUBE2 and the target device is UARTA0, and the main clock has been stopped

(3) When pseudo real-time RAM monitor (RRM) function and DMM function do not operate

The pseudo RRM function and DMM function do not operate if one of the following conditions is satisfied.

- Interrupts are disabled (DI)
- Interrupts issued for the serial interface, which is used for communication between MINICUBE2 and the target device, are masked
- Standby mode is entered while standby release by a maskable interrupt is prohibited
- Mode for communication between MINICUBE2 and the target device is UARTA0, and the main clock has been stopped
- Mode for communication between MINICUBE2 and the target device is UARTA0, and a clock different from the one specified in the debugger is used for communication

(4) Standby release with pseudo RRM and DMM functions enabled

The standby mode is released by the pseudo RRM function and DMM function if one of the following conditions is satisfied.

- Mode for communication between MINICUBE2 and the target device is CSIB0
- Mode for communication between MINICUBE2 and the target device is UARTA0, and the main clock has been supplied.

(5) Writing to peripheral I/O registers that requires a specific sequence, using DMM function

Peripheral I/O registers that requires a specific sequence cannot be written with the DMM function.

(6) Devices for which debugger startup becomes slow

Chip erase and writing of the monitor program for debugging are conducted when the debugger is first started up, but this operation takes about a dozen seconds.

(7) Writing of the monitor program for debugging

When CPU operation clock settings are changed with the debugger, the debugger rewrites the monitor program. The time required is the same as that mentioned just above in (6). For the integrated debugger ID850QB, this applies when settings of the Clock column in the configuration dialog box are changed.

(8) Flash self programming

If a space where the debug monitor program is allocated is rewritten by flash self programming, the debugger can no longer operate normally.

26.3 ROM Security Function

26.3.1 Security ID

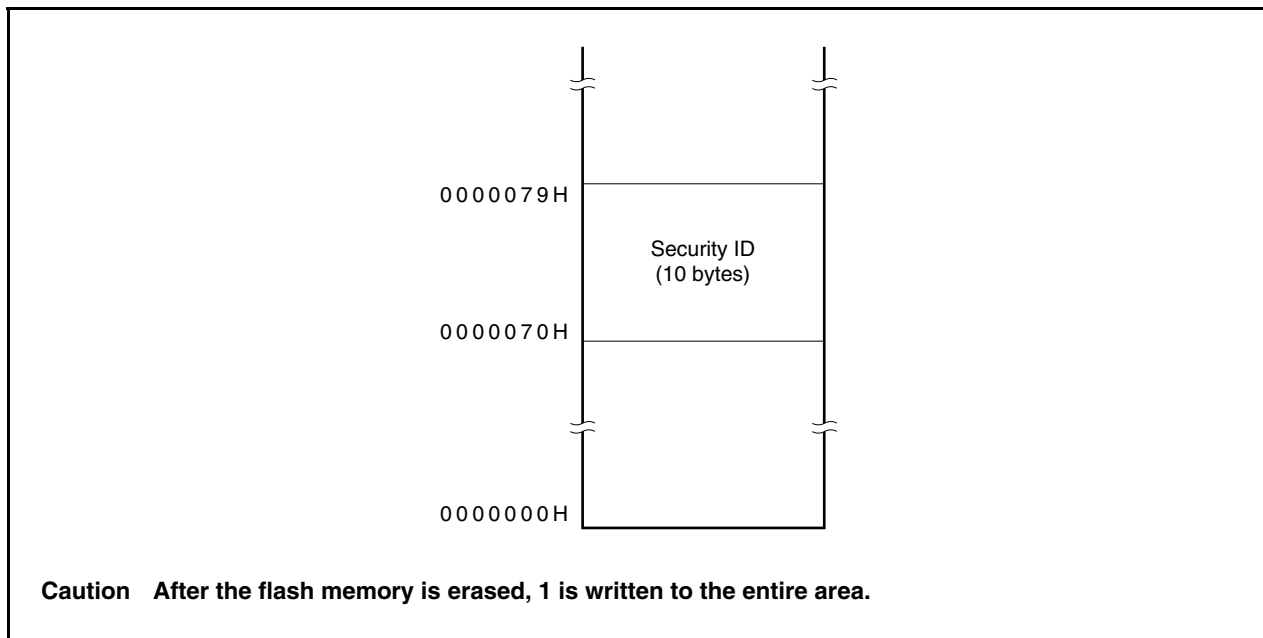
The flash memory versions of the V850ES/HJ2 perform authentication using a 10-byte ID code to prevent the contents of the flash memory from being read by an unauthorized person during on-chip debugging by the on-chip debug emulator.

Set the ID code in the 10-byte on-chip flash memory area from 0000070H to 0000079H to allow the debugger perform ID authentication.

If the IDs match, the security is released and reading flash memory and using the on-chip debug emulator are enabled.

- Set the 10-byte ID code to 0000070H to 0000079H.
- Bit 7 of 0000079H is the on-chip debug emulator enable flag.
(0: Disable, 1: Enable)
- When the on-chip debug emulator is started, the debugger requests ID input. When the ID code input on the debugger and the ID code set in 0000070H to 0000079H match, the debugger starts.
- Debugging cannot be performed if the on-chip debug emulator enable flag is 0, even if the ID codes match.

Figure 26-5. Security ID Area



Caution After the flash memory is erased, 1 is written to the entire area.

26.3.2 Setting

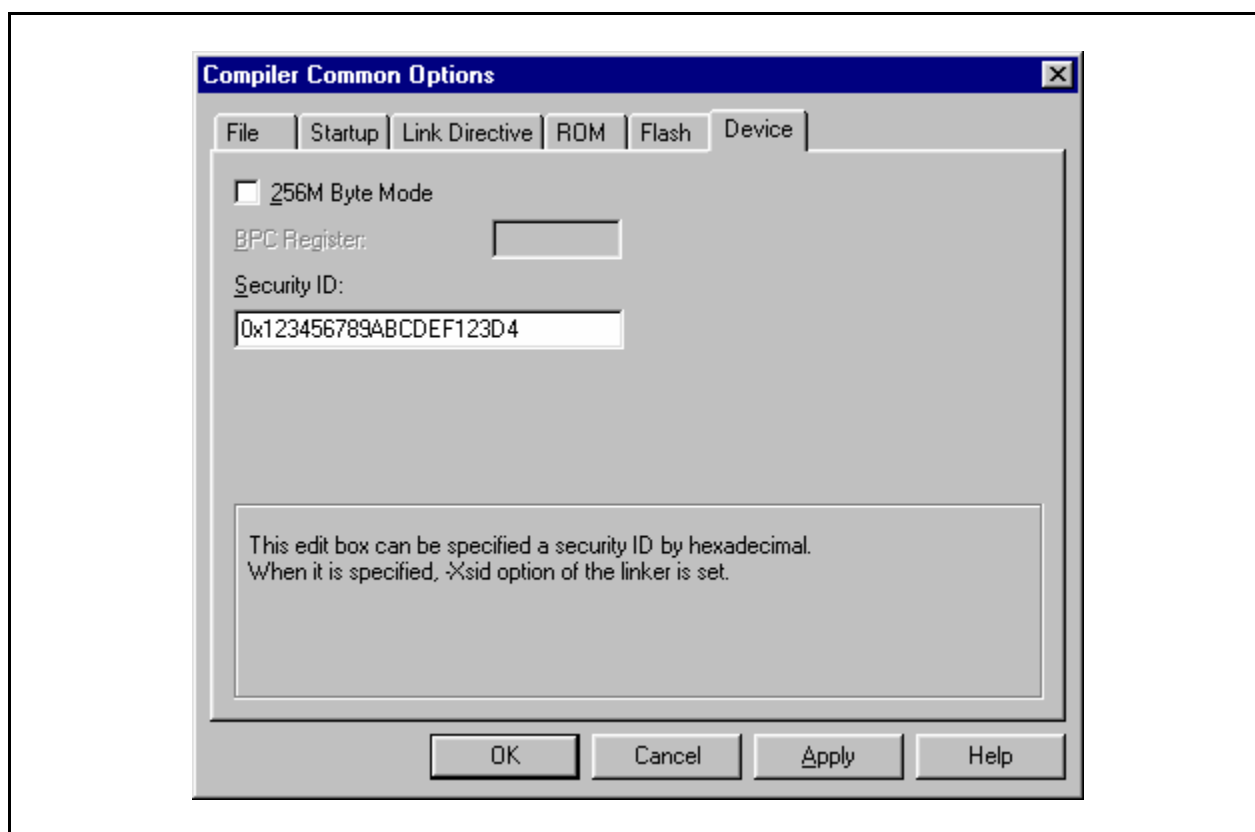
The following shows how to set the ID code as shown in Table 26-5.

When the ID code is set as shown in Table 26-5, the ID code input in the configuration dialog box of the ID850QB is "123456789ABCDEF123D4" (the ID code is case-insensitive).

Table 26-5. ID Code

Address	Value
0x70	0x12
0x71	0x34
0x72	0x56
0x73	0x78
0x74	0x9A
0x75	0xBC
0x76	0xDE
0x77	0XF1
0x78	0x23
0x79	0xD4

The ID code can be specified for the device file that supports CA850 Ver. 3.10 or later and the security ID using the PM+ compiler common option setting.



[Program example (when using CA850 Ver. 3.10 or later)]

```
#-----  
# SECURITYID  
#-----  
    .section "SECURITY_ID" --Interrupt handler address 0x70  
    .word    0x78563412    --0-3 byte code  
    .word    0xF1DEBC9A    --4-7 byte code  
    .hword   0xD423        --8-9 byte code
```

Remark Add the above program example to the startup files.

CHAPTER 27 ELECTRICAL SPECIFICATIONS

27.1 Electrical Specifications

Absolute Maximum Ratings ($T_A = 25^\circ\text{C}$) (1/2)

Parameter	Symbol	Conditions	Ratings	Unit
Supply voltage	V_{DD}	$V_{DD} = EV_{DD} = BV_{DD}$	-0.5 to +6.5	V
	BV_{DD}	$V_{DD} = EV_{DD} = BV_{DD}$	-0.5 to +6.5	V
	EV_{DD}	$V_{DD} = EV_{DD} = BV_{DD}$	-0.5 to +6.5	V
	AV_{REF0}		-0.5 to +6.5	V
	V_{SS}	$V_{SS} = EV_{SS} = BV_{SS} = AV_{SS}$	-0.5 to +0.5	V
	AV_{SS}	$V_{SS} = EV_{SS} = BV_{SS} = AV_{SS}$	-0.5 to +0.5	V
	BV_{SS}	$V_{SS} = EV_{SS} = BV_{SS} = AV_{SS}$	-0.5 to +0.5	V
	EV_{SS}	$V_{SS} = EV_{SS} = BV_{SS} = AV_{SS}$	-0.5 to +0.5	V
Input voltage	V_{I1}	P00 to P06, P10, P11, P30 to P39, P40 to P42, P50 to P55, P60 to P615, P80, P81, P90 to P915, RESET, FLMD0	-0.5 to $EV_{DD} + 0.5^{\text{Note}}$	V
	V_{I2}	PCD0 to PCD3, PCM0 to PCM5, PCS0 to PCS7, PCT0 to PCT7, PDL0 to PDL15	-0.5 to $BV_{DD} + 0.5^{\text{Note}}$	V
	V_{I3}	X1, X2, XT1, XT2	-0.5 to $V_{RO} + 0.5$	V
Analog input voltage	V_{IAN}	P70 to P715, P120 to P127	-0.5 to $AV_{REF0} + 0.5^{\text{Note}}$	V

Note Be sure not to exceed the absolute maximum ratings (MAX. value) of each supply voltage.

- Cautions**
1. Do not directly connect the output (or I/O) pins of IC products to each other, or to V_{DD} , V_{CC} and GND.
 2. Product quality may suffer if the absolute maximum rating is exceeded even momentarily for any parameter. That is, the absolute maximum ratings are rated values at which the product is on the verge of suffering physical damage, and therefore the product must be used under conditions that ensure that the absolute maximum ratings are not exceeded.
The ratings and conditions indicated for DC characteristics and AC characteristics represent the quality assurance range during normal operation.
 3. When directly connecting to the external circuit the pin that becomes high impedance state, the timing must be designed such that the output conflict is avoided on the external circuit.

Remark Unless specified otherwise, the characteristics of alternate-function pins are the same as those of port pins.

Absolute Maximum Ratings (T_A = 25°C) (2/2)

Parameter	Symbol	Conditions	Ratings	Unit			
Output current, low	I _{OL}	P00 to P06, P10, P11, P30 to P39, P40 to P42, P50 to P55, P60 to P615, P80, P81, P90 to P915	Per pin	4	mA		
			Total of all pins	50	mA		
		P70 to P715, P120 to P127	Per pin	4	mA		
			Total of all pins	20	mA		
		PCD0 to PCD3, PCM0 to PCM5, PCS0 to PCS7, PCT0 to PCT7, PDL0 to PDL15	Per pin	4	mA		
			Total of all pins	50	mA		
		Output current, high	I _{OH}	P00 to P06, P10, P11, P30 to P39, P40 to P42, P50 to P55, P60 to P615, P80, P81, P90 to P915	Per pin	-4	mA
					Total of all pins	-50	mA
P70 to P715, P120 to P127	Per pin			-4	mA		
	Total of all pins			-20	mA		
PCD0 to PCD3, PCM0 to PCM5, PCS0 to PCS7, PCT0 to PCT7, PDL0 to PDL15	Per pin			-4	mA		
	Total of all pins			-50	mA		
Operating ambient temperature	T _A			Normal operation mode	-40 to +85	°C	
				Flash memory programming mode			
Storage temperature	T _{stg}		-40 to +125	°C			

- Cautions**
1. Do not directly connect the output (or I/O) pins of IC products to each other, or to V_{DD}, V_{CC} and GND.
 2. Product quality may suffer if the absolute maximum rating is exceeded even momentarily for any parameter. That is, the absolute maximum ratings are rated values at which the product is on the verge of suffering physical damage, and therefore the product must be used under conditions that ensure that the absolute maximum ratings are not exceeded.
The ratings and conditions indicated for DC characteristics and AC characteristics represent the quality assurance range during normal operation.
 3. When directly connecting to the external circuit the pin that becomes high impedance state, the timing must be designed such that the output conflict is avoided on the external circuit.

Remark Unless specified otherwise, the characteristics of alternate-function pins are the same as those of port pins.

27.2 Capacitance

($T_A = 25^\circ\text{C}$, $V_{DD} = EV_{DD} = AV_{REF0} = BV_{DD} = V_{SS} = EV_{SS} = BV_{SS} = AV_{SS} = 0\text{ V}$)

Parameter	Symbol	Conditions	MIN.	TYP.	MAX.	Unit
I/O capacitance	C_{IO}	$f_x = 1\text{ MHz}$, Unmeasured pins returned to 0 V.			10	pF

27.3 Operating Conditions

($T_A = -40\text{ to }+85^\circ\text{C}$, $V_{DD} = EV_{DD} = BV_{DD} = 3.5\text{ V to }5.5\text{ V}$, $4.0\text{ V} \leq AV_{REF0} \leq 5.5\text{ V}$, $V_{SS} = EV_{SS} = BV_{SS} = AV_{SS} = 0\text{ V}$)

Parameter	Symbol	Conditions	MIN.	TYP.	MAX.	Unit
Internal system clock frequency	f_{CLK}	REGC = 4.7 μF , at operation with main clock	4		20	MHz
		REGC = 4.7 μF , at operation with subclock (crystal resonator)	32		35	kHz
		REGC = 4.7 μF , at operation with subclock (RC resonator)	12.5 ^{Note 2}		27.5 ^{Note 2}	kHz

Note The internal system clock frequency is half the oscillation frequency.

27.4 Oscillator Characteristics

27.4.1 Main clock oscillator characteristics

($T_A = -40$ to $+85^\circ\text{C}$, $V_{DD} = EV_{DD} = BV_{DD} = 3.5$ V to 5.5 V, 4.0 V \leq $AV_{REF0} \leq 5.5$ V, $V_{SS} = EV_{SS} = BV_{SS} = AV_{SS} = 0$ V)

Resonator	Recommended Circuit	Parameter	Conditions	MIN.	TYP.	MAX.	Unit
Ceramic resonator		Oscillation frequency (f_x) ^{Note 1}		4		5	MHz
		Oscillation stabilization time ^{Note 2}	After reset release			$2^{16}/f_x$	s
			After STOP mode release	0.5 ^{Note 3}	Note 4	ms	
Crystal resonator		Oscillation frequency (f_x) ^{Note 1}		4		5	MHz
		Oscillation stabilization time ^{Note 2}	After reset release			$2^{16}/f_x$	s
			After STOP mode release	0.5 ^{Note 3}	Note 4	ms	
			After IDLE2 mode release	0.35 ^{Note 3}	Note 4	ms	

- Notes**
1. Indicates only oscillator characteristics.
 2. Time required to stabilize the oscillation after reset or STOP mode is released.
 3. Time required to stabilize access to the internal flash memory.
 4. The value differs depending on the OSTS register settings.

Cautions 1. When using the main clock oscillator, wire as follows in the area enclosed by the broken lines in the above figures to avoid an adverse effect from wiring capacitance.

- Keep the wiring length as short as possible.
 - Do not cross the wiring with the other signal lines.
 - Do not route the wiring near a signal line through which a high fluctuating current flows.
 - Always make the ground point of the oscillator capacitor the same potential as V_{SS} .
 - Do not ground the capacitor to a ground pattern through which a high current flows.
 - Do not fetch signals from the oscillator.
2. When the main clock is stopped and the subclock is operating, wait until the oscillation stabilization time has been secured by the program before switching back to the main clock.

27.4.2 Subclock oscillator characteristics

($T_A = -40$ to $+85^\circ\text{C}$, $V_{DD} = EV_{DD} = BV_{DD} = 3.5$ V to 5.5 V, 4.0 V $\leq AV_{REF0} \leq 5.5$ V, $V_{SS} = EV_{SS} = BV_{SS} = AV_{SS} = 0$ V)

Resonator	Recommended Circuit	Parameter	Conditions	MIN.	TYP.	MAX.	Unit
Crystal resonator		Oscillation frequency (f_{XT}) ^{Note 1}		32	32.768	35	kHz
		Oscillation stabilization time ^{Note 2}				10	s
RC resonator		Oscillation frequency ^{Notes 1, 4}	R = 390 k Ω $\pm 5\%$ ^{Note 3} C = 47 pF $\pm 10\%$ ^{Note 3}	25	40	55	kHz
		Oscillation stabilization time ^{Note 2}				100	μs

- Notes**
- Indicates only oscillator characteristics. For the CPU operation clock, see **27.8 AC Characteristics**.
 - Time required from when V_{DD} reaches oscillation voltage range (MIN.: 3.5 V) to when the oscillation stabilizes.
 - To avoid an adverse effect from wiring capacitance, keep the wiring length as short as possible.
 - RC oscillation frequency is 40 kHz (TYP.). This clock is internally divided by 2. In the case of the RC resonator, the internal system clock frequency is half the oscillation frequency: MIN. = 12.5 kHz, TYP. = 20 kHz, MAX. = 27.5 kHz.

Cautions 1. When using the subclock oscillator, wire as follows in the area enclosed by the broken lines in the above figures to avoid an adverse effect from wiring capacitance.

- Keep the wiring length as short as possible.
 - Do not cross the wiring with the other signal lines.
 - Do not route the wiring near a signal line through which a high fluctuating current flows.
 - Always make the ground point of the oscillator capacitor the same potential as V_{SS} .
 - Do not ground the capacitor to a ground pattern through which a high current flows.
 - Do not fetch signals from the oscillator.
2. The subclock oscillator is designed as a low-amplitude circuit for reducing current consumption, and is more prone to malfunction due to noise than the main clock oscillator. Particular care is therefore required with the wiring method when the subclock is used.

27.4.3 PLL characteristics

($T_A = -40$ to $+85^\circ\text{C}$, $V_{DD} = EV_{DD} = BV_{DD} = 3.5$ V to 5.5 V, 4.0 V $\leq AV_{REF0} \leq 5.5$ V, $V_{SS} = EV_{SS} = BV_{SS} = AV_{SS} = 0$ V)

Parameter	Symbol	Conditions	MIN.	TYP.	MAX.	Unit
Input frequency	f_x		4		5	MHz
Output frequency	f_{xx}		16		20	MHz
Lock time	t_{PLL}	After V_{DD} reaches MIN.: 3.5 V			800	μs

27.4.4 Internal oscillator characteristics

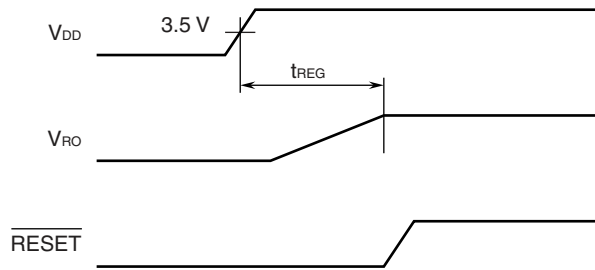
($T_A = -40$ to $+85^\circ\text{C}$, $V_{DD} = EV_{DD} = BV_{DD} = 3.5$ V to 5.5 V, 4.0 V $\leq AV_{REF0} \leq 5.5$ V, $V_{SS} = EV_{SS} = BV_{SS} = AV_{SS} = 0$ V)

Parameter	Symbol	Conditions	MIN.	TYP.	MAX.	Unit
Output frequency	f_r		100	200	400	kHz

27.5 Voltage Regulator Characteristics

($T_A = -40$ to $+85^\circ\text{C}$, $V_{DD} = EV_{DD} = BV_{DD}$, $V_{SS} = EV_{SS} = BV_{SS} = AV_{SS} = 0$ V)

Parameter	Symbol	Conditions	MIN.	TYP.	MAX.	Unit
Input frequency	V_{DD}		3.5		5.5	V
Output frequency	V_{RO}			2.5		V
Lock time	t_{REG}	After V_{DD} reaches MIN.: 3.5 V, $C = 4.7 \mu\text{F} \pm 20\%$ connected to REGC pin			1	ms



<R>

Caution Be sure that V_{DD} rises while $\overline{\text{RESET}} = V_{SS} = 0$ V.

27.6 DC Characteristics

27.6.1 I/O level

($T_A = -40$ to $+85^\circ\text{C}$, $V_{DD} = EV_{DD} = BV_{DD} = 3.5\text{ V to }5.5\text{ V}$, $4.0\text{ V} \leq AV_{REF0} \leq 5.5\text{ V}$, $V_{SS} = EV_{SS} = BV_{SS} = AV_{SS} = 0\text{ V}$)

(1/2)

Parameter	Symbol	Conditions	MIN.	TYP.	MAX.	Unit
Input voltage, high	V_{IH1}	P30, P34, P36 to P38, P41, P63 to P69, P614, P615, P81, P98, P911	$0.7EV_{DD}$		EV_{DD}	V
	V_{IH2}	P00 to P06, P10, P11, P31 to P33, P35, P39, P40, P42, P50 to P55, P60 to P62, P610 to P613, P80, P90 to P97, P99, P910, P912 to P915	$0.8EV_{DD}$		EV_{DD}	V
	V_{IH3}	PCD0 to PCD3, PCM0 to PCM5, PCS0 to PCS7, PCT0 to PCT7, PDL0 to PDL15	$0.7BV_{DD}$		BV_{DD}	V
	V_{IH4}	P70 to P715, P120 to P127	$0.7AV_{REF0}$		AV_{REF0}	V
	V_{IH5}	$\overline{\text{RESET}}$, FLMD0	$0.8EV_{DD}$		EV_{DD}	V
Input voltage, low	V_{IL1}	P30, P34, P36 to P38, P41, P63 to P69, P614, P615, P81, P98, P911	EV_{SS}		$0.3EV_{DD}$	V
	V_{IL2}	P00 to P06, P10, P11, P31 to P33, P35, P39, P40, P42, P50 to P55, P60 to P62, P610 to P613, P80, P90 to P97, P99, P910, P912 to P915	EV_{SS}		$0.2EV_{DD}$	V
	V_{IL3}	PCD0 to PCD3, PCM0 to PCM5, PCS0 to PCS7, PCT0 to PCT7, PDL0 to PDL15	BV_{SS}		$0.3BV_{DD}$	V
	V_{IL4}	P70 to P715, P120 to P127	AV_{SS}		$0.3AV_{REF0}$	V
	V_{IL5}	$\overline{\text{RESET}}$, FLMD0	EV_{SS}		$0.2EV_{DD}$	V

Remark Unless specified otherwise, the characteristics of alternate-function pins are the same as those of port pins.

($T_A = -40$ to $+85^\circ\text{C}$, $V_{DD} = EV_{DD} = BV_{DD} = 3.5$ V to 5.5 V, 4.0 V $\leq AV_{REF0} \leq 5.5$ V, $V_{SS} = EV_{SS} = BV_{SS} = AV_{SS} = 0$ V)

(2/2)

Parameter	Symbol	Conditions	MIN.	TYP.	MAX.	Unit	
Output voltage, high ^{Note 1}	V _{OH1}	P00 to P06, P10, P11, P30 to P39, P40 to P42, P50 to P55, P60 to P615, P80 to P81, P90 to P915	I _{OH} = -1.0 mA	EV _{DD} - 1.0		EV _{DD}	V
			I _{OH} = -0.1 mA	EV _{DD} - 0.5		EV _{DD}	V
	V _{OH2}	PCD0 to PCD3, PCM0 to PCM5, PCS0 to PCS7, PCT0 to PCT7, PDL0 to PDL15	I _{OH} = -1.0 mA	BV _{DD} - 1.0		BV _{DD}	V
			I _{OH} = -0.1 mA	BV _{DD} - 0.5		BV _{DD}	V
	V _{OH3}	P70 to P715, P120 to P127	I _{OH} = -1.0 mA	AV _{REF0} - 1.0		AV _{REF0}	V
			I _{OH} = -0.1 mA	AV _{REF0} - 0.5		AV _{REF0}	V
Output voltage, low ^{Note 1}	V _{OL1}	P00 to P06, P10, P11, P30 to P39, P40 to P42, P50 to P55, P60 to P615, P80, P81, P90 to P915	I _{OL} = 1.0 mA	0		0.4	V
	V _{OL2}	PCD0 to PCD3, PCM0 to PCM5, PCS0 to PCS7, PCT0 to PCT7, PDL0 to PDL15	I _{OL} = 1.0 mA	0		0.4	V
	V _{OL3}	P70 to P715, P120 to P127	I _{OL} = 1.0 mA	0		0.4	V
Pull-up resistor	R ₁	V _I = 0 V	10	30	100	k Ω	
Pull-down resistor ^{Note 2}	R ₂	V _I = V _{DD}	10	30	100	k Ω	

- Notes**
- The maximum value of the total of I_{OH}/I_{OL} is 20 mA/-20 mA for each power supply (EV_{DD}, BV_{DD}, AV_{REF0}).
 - DRST pin only

Remark Unless specified otherwise, the characteristics of alternate-function pins are the same as those of port pins.

27.6.2 Pin leakage current

($T_A = -40$ to $+85^\circ\text{C}$, $V_{DD} = EV_{DD} = BV_{DD} = 3.5$ V to 5.5 V, 4.0 V $\leq AV_{REF0} \leq 5.5$ V, $V_{SS} = EV_{SS} = BV_{SS} = AV_{SS} = 0$ V)

Parameter	Symbol	Conditions	MIN.	TYP.	MAX.	Unit
Input leakage current, high	I _{LIH1}	V _{IN} = V _{DD}	Analog pin		+0.2	μA
			Other than analog pin		+0.5	
Input leakage current, low	I _{LIL1}	V _{IN} = 0 V	Analog pin		-0.2	μA
			Other than analog pin		-0.5	
Output leakage current, high	I _{LOH1}	V _O = V _{DD}	Analog pin		+0.2	μA
			Other than analog pin		+0.5	
Output leakage current, low	I _{LOL1}	V _O = 0 V	Analog pin		-0.2	μA
			Other than analog pin		-0.5	

Caution The value of the FLMD0 pin is as follows.

- Input leakage current, high: 2 μA (MAX.)
- Input leakage current, low: -2 μA (MAX.)

27.6.3 Supply current

(1) μ PD70F3711, 70F3712

($T_A = -40$ to $+85^\circ\text{C}$, $V_{DD} = EV_{DD} = BV_{DD} = 3.5$ V to 5.5 V, 4.0 V $\leq AV_{REF0} \leq 5.5$ V, $V_{SS} = EV_{SS} = BV_{SS} = AV_{SS} = 0$ V)

Parameter	Symbol	Conditions		MIN.	TYP.	MAX.	Unit	
Supply current ^{Note 1}	I _{DD1}	Normal operation mode	f _{XX} = 20 MHz (f _X = 5 MHz)	All peripheral function operating		40	55	mA
				All peripheral function stopped		27		mA
	I _{DD2}	HALT mode	f _{XX} = 20 MHz (f _X = 5 MHz)	All peripheral function operating		25	35	mA
				All peripheral function stopped		14		mA
	I _{DD3}	IDLE1 mode	f _{XX} = 5 MHz (f _X = 5 MHz), PLL off			0.6	0.9	mA
	I _{DD4}	IDLE2 mode	f _{XX} = 5 MHz (f _X = 5 MHz), PLL off			0.25	0.7	mA
	I _{DD5}	Subclock operation mode ^{Notes 2, 3}	Crystal resonator (f _{XT} = 32.768 kHz)			200	400	μ A
			RC oscillator (f _{XT} = 40 kHz ^{Note 4})			200	400	μ A
	I _{DD6}	Sub-IDLE mode ^{Notes 2, 3}	Crystal resonator (f _{XT} = 32.768 kHz)			20	120	μ A
			RC oscillator (f _{XT} = 40 kHz ^{Note 4})			35	140	μ A
	I _{DD7}	Stop mode ^{Notes 2, 5}	POC stopped, internal oscillator stopped			7	50	μ A
			POC operating, internal oscillator stopped			10	55	μ A
			POC stopped, internal oscillator operating			15	65	μ A
POC operating, internal oscillator operating				18	70	μ A		

- Notes**
1. Total current of V_{DD}, EV_{DD}, and BV_{DD} (all ports stopped). The current of AV_{REF0} and the port buffer current including the current flowing through the on-chip pull-up/pull-down resistors are not included.
 2. When the main clock oscillation is stopped.
 3. POC operating, internal oscillator operating.
 4. The RC oscillation frequency is 40 kHz (TYP.). This clock is internally divided by 2.
 5. When the subclock oscillation is not used.

(2) μ PD70F3709, 70F3710

 (T_A = -40 to +85°C, V_{DD} = EV_{DD} = BV_{DD} = 3.5 V to 5.5 V, 4.0 V ≤ AV_{REF0} ≤ 5.5 V, V_{SS} = EV_{SS} = BV_{SS} = AV_{SS} = 0 V)

Parameter	Symbol	Conditions		MIN.	TYP.	MAX.	Unit	
Supply current ^{Note 1}	I _{DD1}	Normal operation mode	f _{XX} = 20 MHz (f _X = 5 MHz)	All peripheral function operating		30	45	mA
				All peripheral function stopped		22		mA
	I _{DD2}	HALT mode	f _{XX} = 20 MHz (f _X = 5 MHz)	All peripheral function operating		18	28	mA
				All peripheral function stopped		11		mA
	I _{DD3}	IDLE1 mode	f _{XX} = 5 MHz (f _X = 5 MHz), PLL off			0.6	0.9	mA
	I _{DD4}	IDLE2 mode	f _{XX} = 5 MHz (f _X = 5 MHz), PLL off			0.25	0.7	mA
	I _{DD5}	Subclock operation mode ^{Notes 2, 3}	Crystal resonator (f _{XT} = 32.768 kHz)			200	400	μA
			RC resonator (f _{XT} = 40 kHz ^{Note 4})			200	400	μA
	I _{DD6}	Sub-IDLE mode ^{Notes 2, 3}	Crystal resonator (f _{XT} = 32.768 kHz)			20	120	μA
			RC resonator (f _{XT} = 40 kHz ^{Note 4})			35	140	μA
	I _{DD7}	Stop mode ^{Notes 2, 5}	POC stopped, internal oscillator stopped			7	50	μA
			POC operating, internal oscillator stopped			10	55	μA
			POC stopped, internal oscillator operating			15	65	μA
POC operating, internal oscillator operating				18	70	μA		

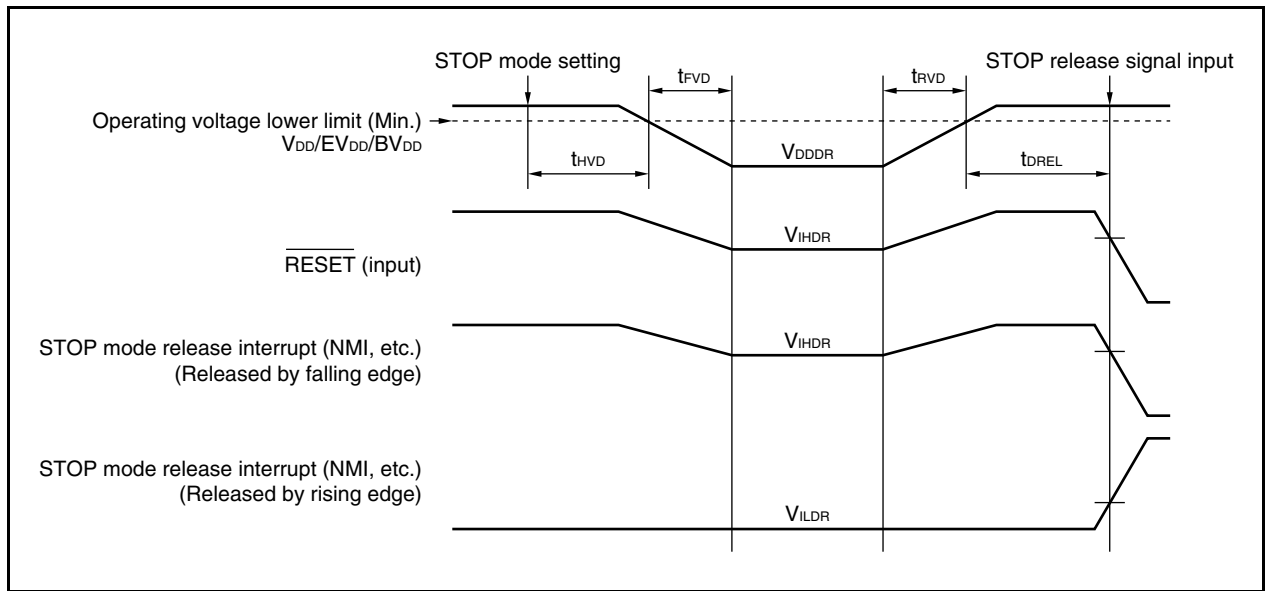
- Notes**
- Total current of V_{DD}, EV_{DD}, and BV_{DD} (all ports stopped). The current of AV_{REF0} and the port buffer current including the current flowing through the on-chip pull-up/pull-down resistors are not included.
 - When the main clock oscillation is stopped.
 - POC operating, internal oscillator operating.
 - The RC oscillation frequency is 40 kHz (TYP.). This clock is internally divided by 2.
 - When the subclock oscillation is not used.

27.7 Data Retention Characteristics

STOP Mode ($T_A = -40$ to $+85^\circ\text{C}$, $V_{DD} = EV_{DD} = BV_{DD} = 1.9$ V to 5.5 V, $V_{SS} = EV_{SS} = BV_{SS} = AV_{SS} = 0$ V)

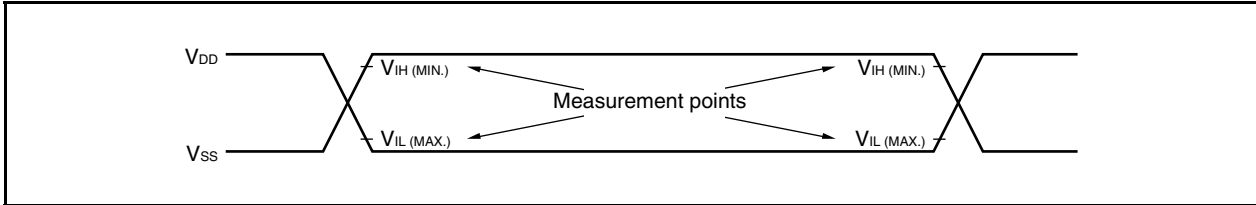
Parameter	Symbol	Conditions	MIN.	TYP.	MAX.	Unit
Data retention voltage	V_{DDDR}	In STOP mode (all functions stopped)	1.9		5.5	V
Data retention current	I_{DDDR}	$V_{DDDR} = 2.0$ V (all functions stopped)		6	45	μA
Supply voltage rise time	t_{RVD}		1			μs
Supply voltage fall time	t_{FVD}		1			μs
Supply voltage retention time	t_{HVD}	After STOP mode release	0			ms
STOP release signal input time	t_{DREL}	After V_{DD} reaches MIN.: 3.5 V	0			μs
Data retention input voltage, high	V_{IHDR}	All input ports	$0.9V_{DDDR}$		V_{DDDR}	V
Data retention input voltage, low	V_{ILDR}	All input ports	0		$0.1V_{DDDR}$	V

Caution Shifting to STOP mode and restoring from STOP mode must be performed within the rated operating range.

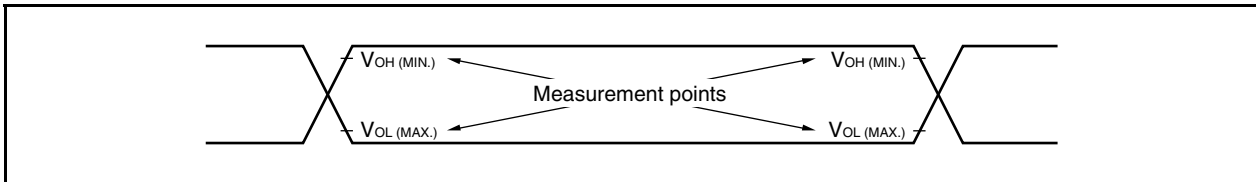


27.8 AC Characteristics

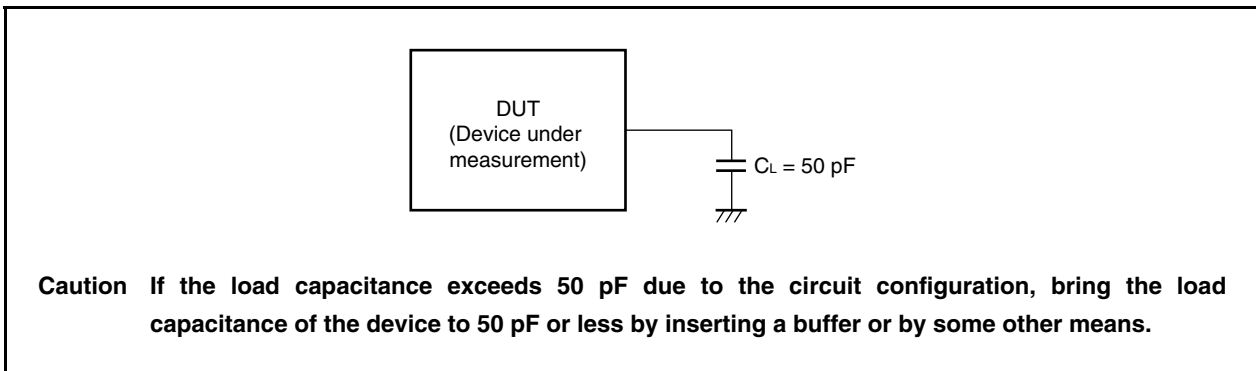
(1) AC test input measurement points (V_{DD} , AV_{REF0} , EV_{DD} , BV_{DD})



(2) AC test output measurement points



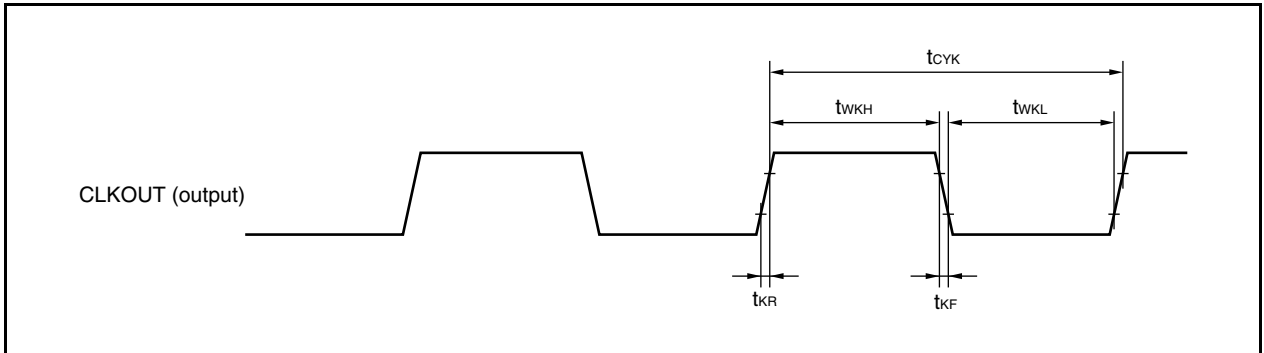
(3) Load conditions



27.8.1 CLKOUT Output Timing

($T_A = -40$ to $+85^\circ\text{C}$, $V_{DD} = EV_{DD} = BV_{DD} = 3.5$ V to 5.5 V, 4.0 V $\leq AV_{REF0} \leq 5.5$ V, $V_{SS} = EV_{SS} = BV_{SS} = AV_{SS} = 0$ V, $C_L = 50$ pF)

Parameter	Symbol	Conditions	MIN.	MAX.	Unit
Output cycle	t_{CYK}		50 ns	80 μs	
High-level width	t_{WKH}		$t_{CYK}/2 - 15$		ns
Low-level width	t_{WKL}		$t_{CYK}/2 - 15$		ns
Rise time	t_{KR}			15	ns
Fall time	t_{KF}			15	ns



27.8.2 Bus Timing

(1) CLKOUT asynchronous

($T_A = -40$ to $+85^\circ\text{C}$, $V_{DD} = EV_{DD} = BV_{DD} = 3.5\text{ V to }5.5\text{ V}$, $4.0\text{ V} \leq AV_{REF0} \leq 5.5\text{ V}$, $V_{SS} = EV_{SS} = BV_{SS} = AV_{SS} = 0\text{ V}$, $C_L = 50\text{ pF}$)

Parameter	Symbol	Conditions	MIN.	MAX.	Unit
Address setup time (to $ASTB\downarrow$)	t_{SAST}		$(0.5 + t_{ASW}) - 20$		ns
Address hold time (from $ASTB\downarrow$)	t_{HSTA}		$(0.5 + t_{AHW}) - 15$		ns
Delay time from $\overline{RD}\downarrow$ to address float	t_{FRDA}			16	ns
Data input setup time from address	t_{SAID}			$(2 + n + t_{ASW} + t_{AHW})T - 40$	ns
Data input setup time from $\overline{RD}\downarrow$	t_{SRDID}			$(1 + n)T - 30$	ns
Delay time from $ASTB\downarrow$ to \overline{RD} , $\overline{WRm}\downarrow$	$t_{DSTRDWR}$		$(0.5 + t_{AHW})T - 15$		ns
Data input hold time (from $\overline{RD}\uparrow$)	t_{HRDID}		0		ns
Address output time from $\overline{RD}\uparrow$	t_{DRDA}		$(1 + i)T - 15$		ns
Delay time from \overline{RD} , $\overline{WRm}\uparrow$ to $ASTB\uparrow$	$t_{DRDWRST}$		$0.5T - 15$		ns
Delay time from $\overline{RD}\uparrow$ to $ASTB\downarrow$	t_{DRDST}		$(1.5 + i + t_{ASW})T - 15$		ns
\overline{RD} , \overline{WRm} low-level width	$t_{WRDWRLL}$		$(1 + n)T - 20$		ns
$ASTB$ high-level width	t_{WSTH}		$(1 + i + t_{ASW})T - 15$		ns
Data output time from $\overline{WRm}\downarrow$	t_{DWROD}			15	ns
Data output setup time (to $\overline{WRm}\uparrow$)	t_{SODWR}		$(1 + n)T - 25$		ns
Data output hold time (from $\overline{WRm}\uparrow$)	t_{HWROD}		$T - 15$		ns
\overline{WAIT} setup time (to address)	t_{SAWT1}	$n \geq 1$		$(1.5 + t_{ASW} + t_{AHW})T - 45$	ns
	t_{SAWT2}			$(1.5 + n + t_{ASW} + t_{AHW})T - 45$	ns
\overline{WAIT} hold time (from address)	t_{HAWT1}	$n \geq 1$	$(0.5 + n + t_{ASW} + t_{AHW})T$		ns
	t_{HAWT2}		$(1.5 + n + t_{ASW} + t_{AHW})T$		ns
\overline{WAIT} setup time (to $ASTB\downarrow$)	t_{SSWT1}	$n \geq 1$		$(1 + t_{AHW})T - 35$	ns
	t_{SSWT2}			$(1 + n + t_{AHW})T - 35$	ns
\overline{WAIT} hold time (from $ASTB\downarrow$)	t_{HSTWT1}	$n \geq 1$	$(n + t_{AHW})T$		ns
	t_{HSTWT2}		$(1 + n + t_{AHW})T$		ns
\overline{HLDRQ} high-level width	t_{WHQH}		$T + 10$		ns
\overline{HLDAK} low-level width	t_{WHAL}		$T - 20$		ns
Delay time from $\overline{HLDAK}\uparrow$ to bus output	t_{DHAC}		-3		ns
Delay time from $\overline{HLDRQ}\downarrow$ to $\overline{HLDAK}\downarrow$	t_{DHQA1}			$(2n + 7.5)T + 25$	ns
Delay time from $\overline{HLDRQ}\uparrow$ to $\overline{HLDAK}\uparrow$	t_{DHQA2}		$0.5T$	$1.5T + 35$	ns

Remarks 1. $T = 1/f_{CPU}$ (f_{CPU} : CPU operating clock frequency)

2. n : Number of wait clocks inserted in the bus cycle.

The sampling timing changes when a programmable wait is inserted.

3. $m = 0, 1$

4. i : Number of idle states inserted after a read cycle (0 or 1).

5. The values in the above specifications are values for when clocks with a 1:1 duty ratio are input from X1.

6. t_{ASW} : Number of address setup wait clocks (0 or 1)

t_{AHW} : Number of address hold wait clocks (0 or 1)

(2) CLKOUT synchronous

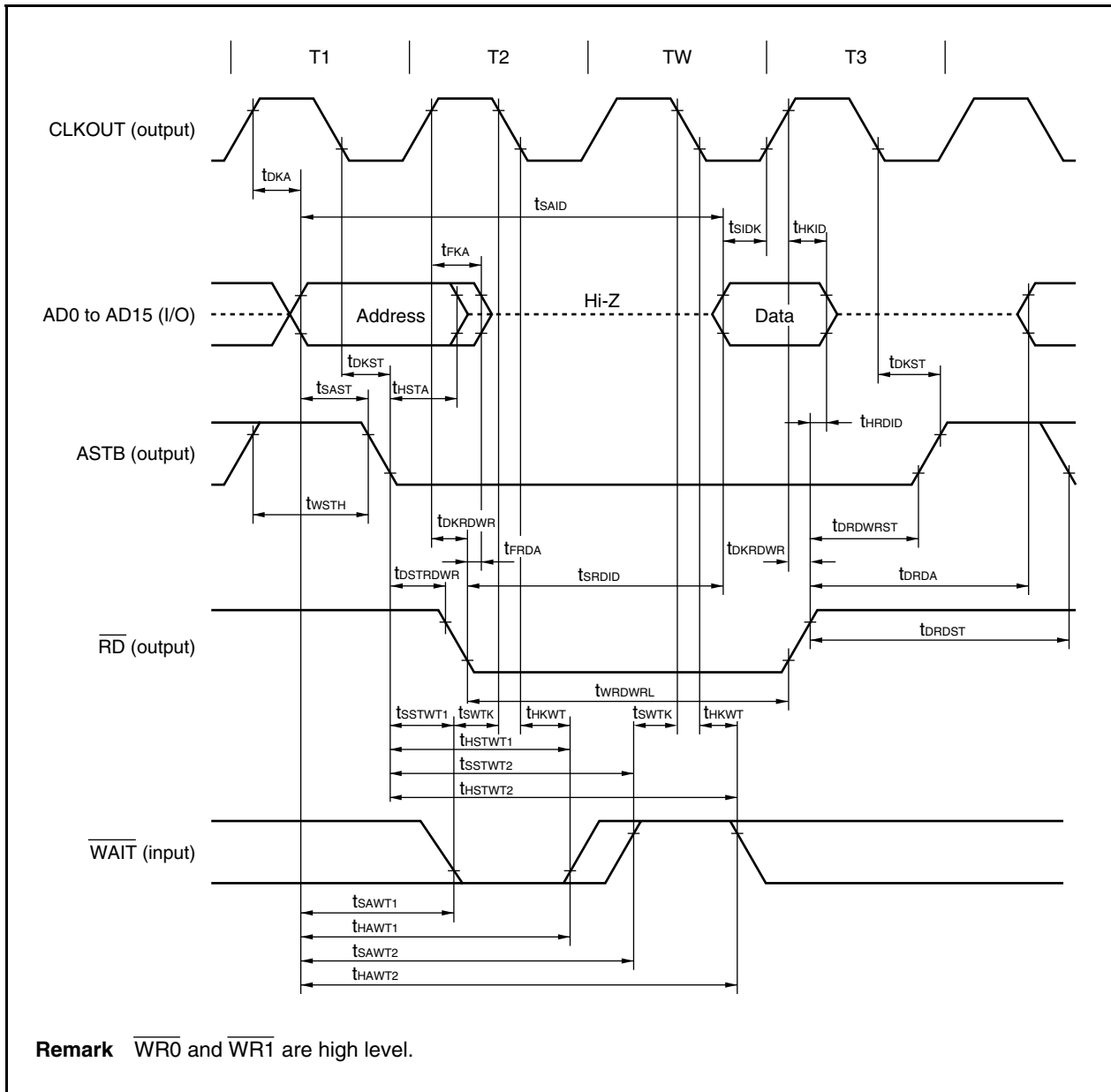
($T_A = -40$ to $+85^\circ\text{C}$, $V_{DD} = EV_{DD} = BV_{DD} = 3.5$ V to 5.5 V, 4.0 V $\leq AV_{REF0} \leq 5.5$ V, $V_{SS} = EV_{SS} = BV_{SS} = AV_{SS} = 0$ V, $C_L = 50$ pF)

Parameter	Symbol	Conditions	MIN.	MAX.	Unit
Delay time from CLKOUT \uparrow to address	t _{DKA}		0	24	ns
Delay time from CLKOUT \uparrow to address float	t _{FKA}		0	24	ns
Delay time from CLKOUT \downarrow to ASTB	t _{DKST}		-12	+12	ns
Delay time from CLKOUT \uparrow to \overline{RD} , \overline{WR}_m	t _{DKRDWR}		-5	14	ns
Data input setup time (to CLKOUT \uparrow)	t _{SIDK}		20		ns
Data input hold time (from CLKOUT \uparrow)	t _{HKID}		5		ns
Data output delay time from CLKOUT \uparrow	t _{DKOD}			22	ns
\overline{WAIT} setup time (to CLKOUT \downarrow)	t _{SWTK}		30		ns
\overline{WAIT} hold time (from CLKOUT \downarrow)	t _{HKWT}		5		ns
\overline{HLDRQ} setup time (to CLKOUT \downarrow)	t _{SHQK}		30		ns
\overline{HLDRQ} hold time (from CLKOUT \downarrow)	t _{HKHQ}		5		ns
Delay time from CLKOUT \uparrow to \overline{HLDAK}	t _{DKHA}			24	ns
Delay time from CLKOUT \uparrow to bus float	t _{DKF}			25	ns

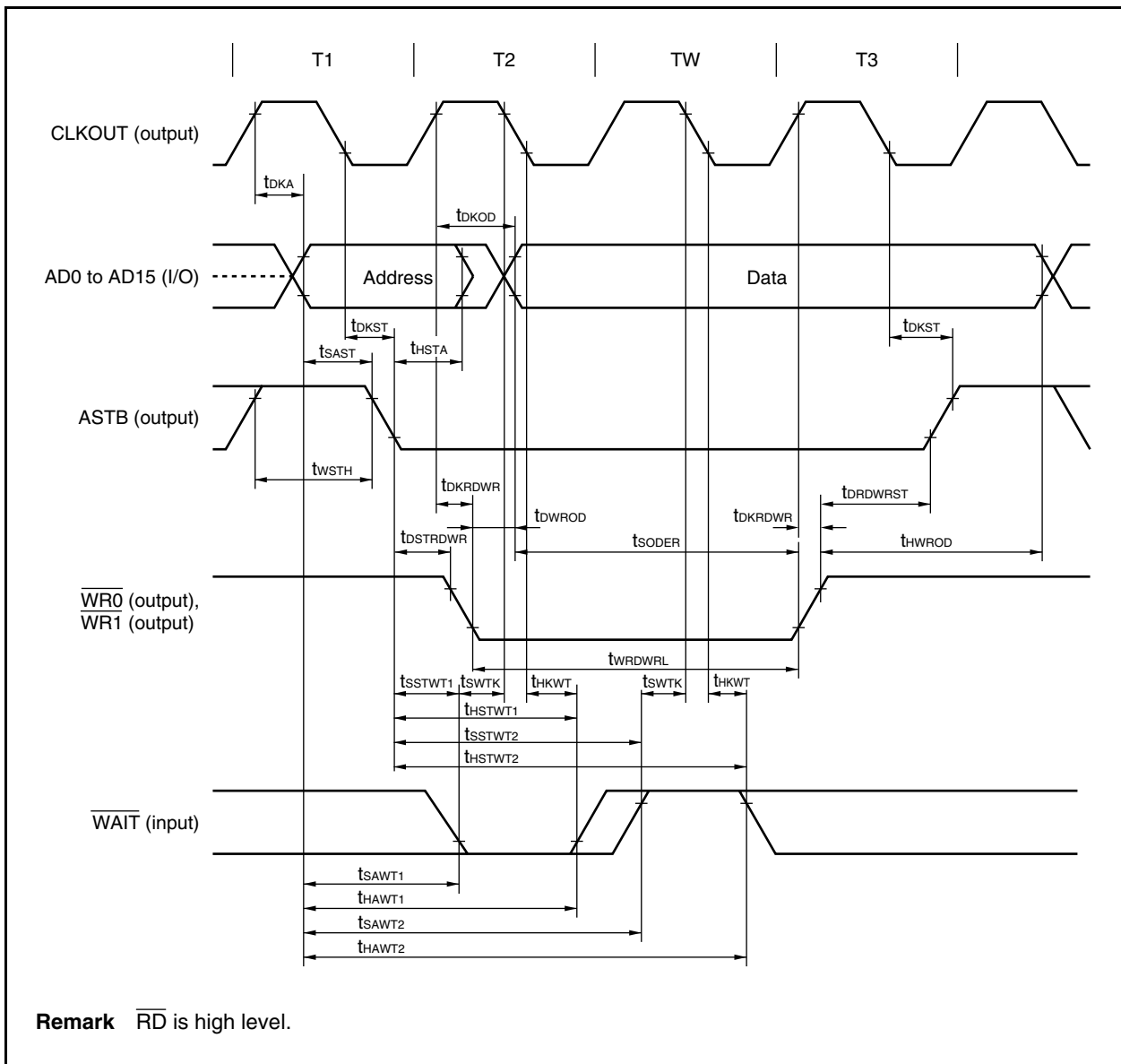
Remarks 1. m = 0, 1

2. The values in the above specifications are values for when clocks with a 1:1 duty ratio are input from X1.

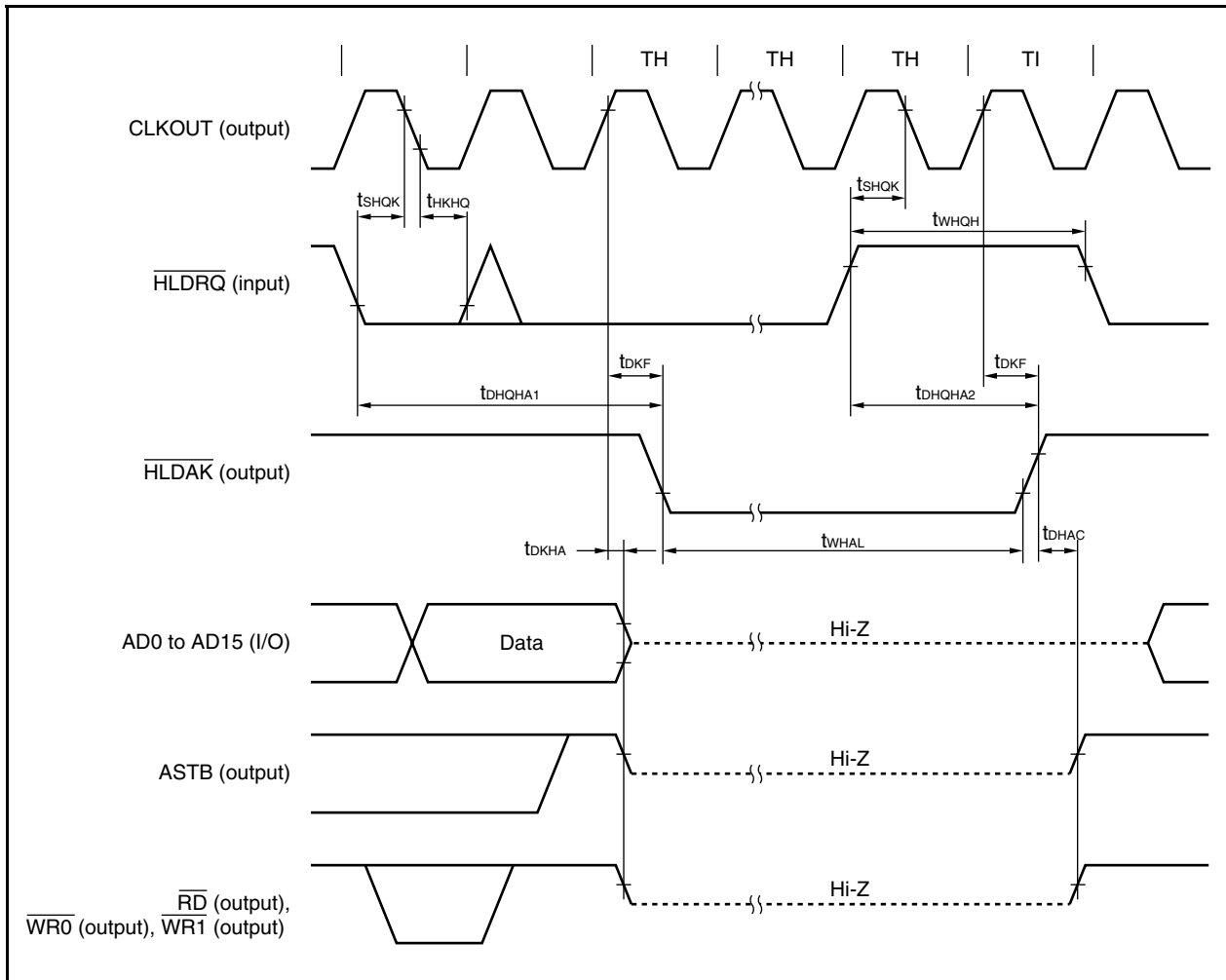
Read Cycle (CLKOUT Synchronous/Asynchronous, 1 Wait)



Write Cycle (CLKOUT Synchronous/Asynchronous, 1 Wait)



Bus Hold



27.9 Basic Operation

(1) Reset, interrupt timing

($T_A = -40$ to $+85^\circ\text{C}$, $V_{DD} = EV_{DD} = BV_{DD} = 3.5\text{ V to }5.5\text{ V}$, $4.0\text{ V} \leq AV_{REF0} \leq 5.5\text{ V}$, $V_{SS} = EV_{SS} = BV_{SS} = AV_{SS} = 0\text{ V}$, $C_L = 50\text{ pF}$)

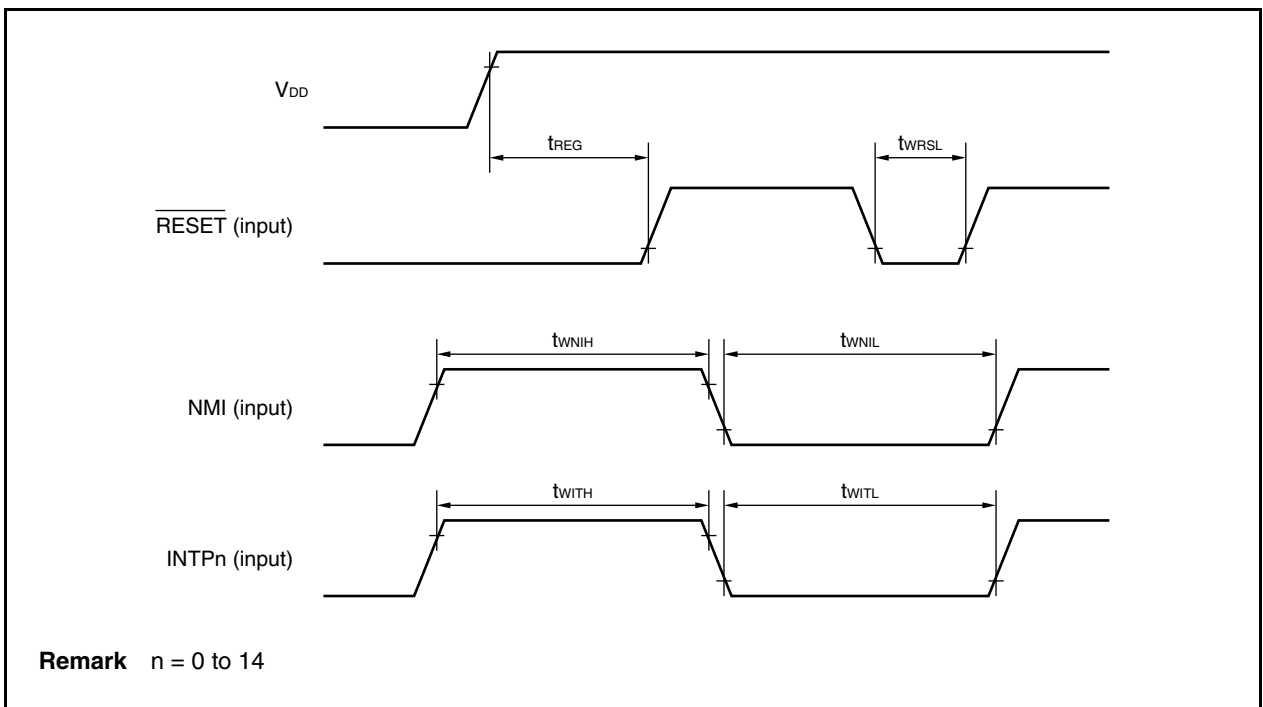
Parameter	Symbol	Conditions	MIN.	MAX.	Unit
RESET low-level width	t_{WRSL}		500		ns
NMI high-level width	t_{WNIH}	Analog noise elimination	500		ns
NMI low-level width	t_{WNIL}	Analog noise elimination	500		ns
INTPn ^{Note 1} high-level width	t_{WITH}	Analog noise elimination (n = 0 to 14)	500		ns
		Digital noise elimination (n = 3)	Note 2		ns
INTPn ^{Note 1} low-level width	t_{WITL}	Analog noise elimination (n = 0 to 14)	500		ns
		Digital noise elimination (n = 3)	Note 2		ns

Notes 1. The same value as the INTP0/P03 pin applies in the case of the ADTRG pin. The same value as the INTP2/P05 pin applies in the case of the \overline{DRST} pin.

2. $2T_{\text{samp}} + 20$ or $3T_{\text{samp}} + 20$

T_{samp} : Sampling clock for noise elimination

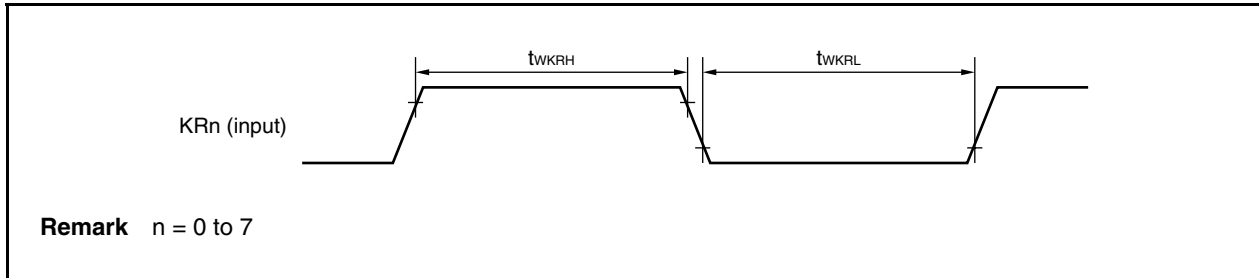
Reset/Interrupt



(2) Key interrupt timing

($T_A = -40$ to $+85^\circ\text{C}$, $V_{DD} = EV_{DD} = BV_{DD} = 3.5\text{ V to }5.5\text{ V}$, $4.0\text{ V} \leq AV_{REF0} \leq 5.5\text{ V}$, $V_{SS} = EV_{SS} = BV_{SS} = AV_{SS} = 0\text{ V}$, $C_L = 50\text{ pF}$)

Parameter	Symbol	Conditions	MIN.	MAX.	Unit
KRn input high-level width	t_{WKRH}	Analog noise elimination ($n = 0$ to 7)	500		ns
KRn input low-level width	t_{WKRL}		500		ns

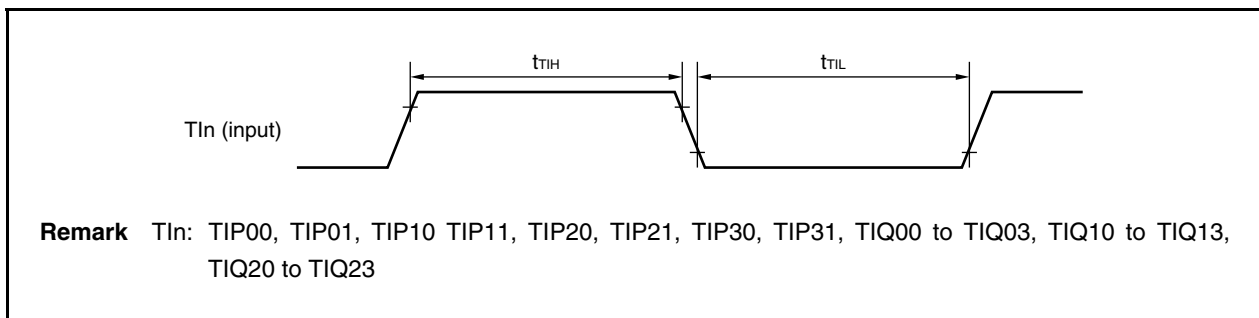


(3) Timer input timing

($T_A = -40$ to $+85^\circ\text{C}$, $V_{DD} = EV_{DD} = BV_{DD} = 3.5\text{ V to }5.5\text{ V}$, $4.0\text{ V} \leq AV_{REF0} \leq 5.5\text{ V}$, $V_{SS} = EV_{SS} = BV_{SS} = AV_{SS} = 0\text{ V}$, $C_L = 50\text{ pF}$)

Parameter	Symbol	Conditions	MIN.	MAX.	Unit
TIn high-level width	t_{TIH}	TIP00, TIP01, TIP10, TIP11, TIP20, TIP21, TIP30, TIP31,	Note 2		ns
TIn low-level width	t_{TIL}	TIQ00 to TIQ03, TIQ10 to TIQ13, TIQ20 to TIQ23 ^{Note 1}		Note 2	

- Notes**
- Noise on the TIP00, TIP10, TIP20, TIP30, TIQ00, TIQ10, and TIQ20 pins can be eliminated only when a capture signal is input.
The noise cannot be eliminated when an external trigger signal or an external event counter signal is input.
 - $2T_{\text{samp}} + 20$ or $3T_{\text{samp}} + 20$
 T_{samp} : Sampling clock for noise elimination



(4) CSIB timing**(a) Master mode**

($T_A = -40$ to $+85^\circ\text{C}$, $V_{DD} = EV_{DD} = BV_{DD} = 3.5$ V to 5.5 V, 4.0 V $\leq AV_{REF0} \leq 5.5$ V, $V_{SS} = EV_{SS} = BV_{SS} = AV_{SS} = 0$ V, $C_L = 50$ pF)

Parameter	Symbol	Conditions	MIN.	MAX.	Unit
SCKBn cycle time	t_{KCYn}		125		ns
SCKBn high-level width	t_{KHn}		$t_{KCYn}/2 - 15$		ns
$\overline{\text{SCKBn}}$ low-level width	t_{KLn}		$t_{KCYn}/2 - 15$		ns
SIBn setup time (to $\overline{\text{SCKBn}}\uparrow$)	t_{SIKn}		30		ns
SIBn hold time (from $\overline{\text{SCKBn}}\uparrow$)	t_{KSIIn}		25		ns
Output delay time from $\overline{\text{SCKBn}}\downarrow$ to SOBn	t_{KSON}			25	ns

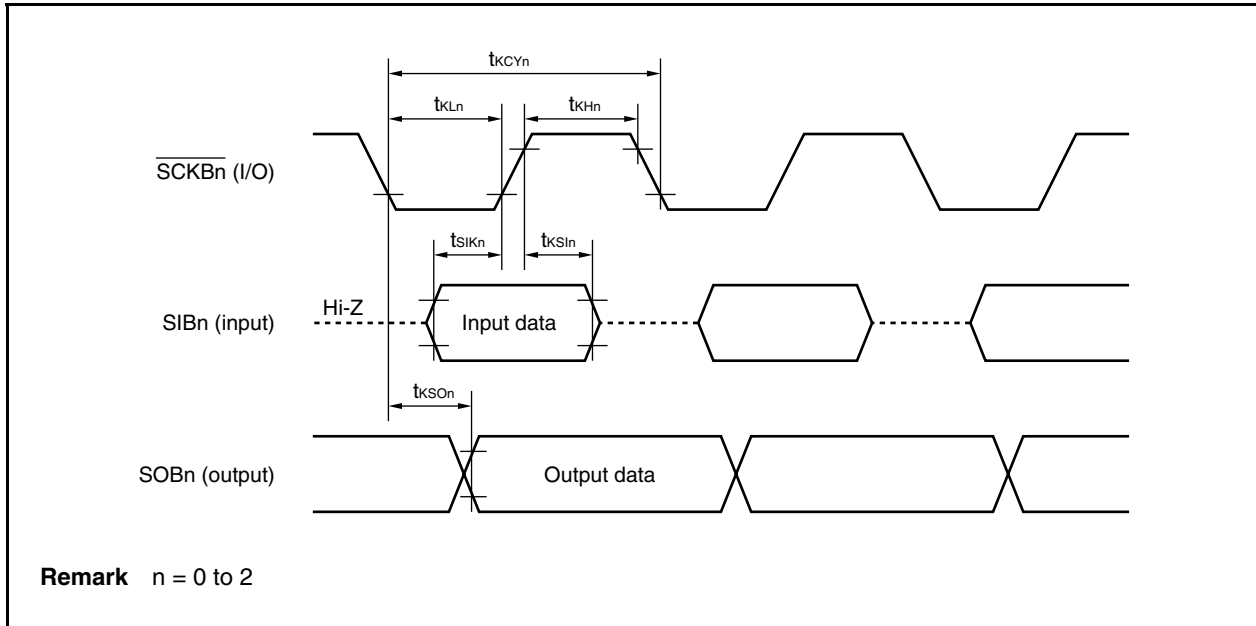
Remark n = 0 to 2

(b) Slave mode

($T_A = -40$ to $+85^\circ\text{C}$, $V_{DD} = EV_{DD} = BV_{DD} = 3.5$ V to 5.5 V, 4.0 V $\leq AV_{REF0} \leq 5.5$ V, $V_{SS} = EV_{SS} = BV_{SS} = AV_{SS} = 0$ V, $C_L = 50$ pF)

Parameter	Symbol	Conditions	MIN.	MAX.	Unit
$\overline{\text{SCKBn}}$ cycle time	t_{KCYn}		200		ns
$\overline{\text{SCKBn}}$ high-level width	t_{KHn}		90		ns
$\overline{\text{SCKBn}}$ low-level width	t_{KLn}		90		ns
SIBn setup time (to $\overline{\text{SCKBn}}\uparrow$)	t_{SIKn}		50		ns
SIBn hold time (from $\overline{\text{SCKBn}}\uparrow$)	t_{KSIIn}		50		ns
Output delay time from $\overline{\text{SCKBn}}\downarrow$ to SOBn	t_{KSON}			50	ns

Remark n = 0 to 2



(5) UARTA timing

($T_A = -40$ to $+85^\circ\text{C}$, $V_{DD} = EV_{DD} = BV_{DD} = 3.5$ V to 5.5 V, 4.0 V $\leq AV_{REF0} \leq 5.5$ V, $V_{SS} = EV_{SS} = BV_{SS} = AV_{SS} = 0$ V, $C_L = 50$ pF)

Parameter	Symbol	Conditions	MIN.	MAX.	Unit
Communication rate				312.5	kbps
ASCK0 cycle time				10	MHz

(6) A/D converter

($T_A = -40$ to $+85^\circ\text{C}$, $V_{DD} = EV_{DD} = BV_{DD} = 3.5$ V to 5.5 V, 4.0 V $\leq AV_{REF0} \leq 5.5$ V, $V_{SS} = EV_{SS} = BV_{SS} = AV_{SS} = 0$ V, $C_L = 50$ pF)

Parameter	Symbol	Conditions	MIN.	TYP.	MAX.	Unit
Resolution					10	bit
Overall error ^{Note}		$4.0 \leq AV_{REF0} \leq 5.5$ V		± 0.15	± 0.3	%FSR
Conversion time	t_{CONV}		3.1		16	μs
Analog input voltage	V_{IAN}		AV_{SS}		AV_{REF0}	V
AV_{REF0} current	I_{AREF0}	When using A/D converter		5	10	mA
		When not using A/D converter		1	10	μA

Note Excluding quantization error (± 0.05 %FSR). Indicates the ratio to the full-scale value (%FSR).

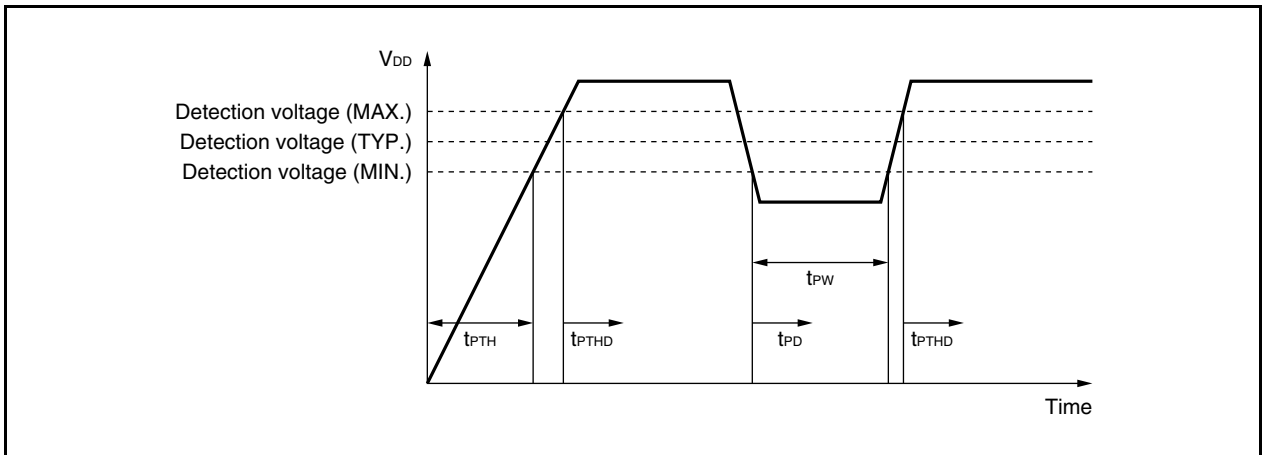
Remark FSR: Full Scale Range

(7) POC circuit characteristics

($T_A = -40$ to $+85^\circ\text{C}$, $V_{DD} = EV_{DD} = BV_{DD} = 3.5$ V to 5.5 V, 4.0 V $\leq AV_{REF0} \leq 5.5$ V, $V_{SS} = EV_{SS} = BV_{SS} = AV_{SS} = 0$ V, $C_L = 50$ pF)

Parameter	Symbol	Conditions	MIN.	TYP.	MAX.	Unit
Detection voltage	V_{POC0}		3.5	3.7	3.9	V
Power supply startup time	t_{PTH}	$V_{DD} = 0$ V \rightarrow 3.5 V	0.002			ms
Response delay time 1 ^{Note 1}	t_{PTH0}	After V_{DD} reaches 3.9 V on power application			3.0	ms
Response delay time 2 ^{Note 2}	t_{PD}	After V_{DD} drops below 3.5 V on power drop			1	ms
Minimum V_{DD} width	t_{PW}		0.2			ms

- Notes**
1. The time required to release a reset after the detection voltage is detected.
 2. The time required to output a reset after the detection voltage is detected.

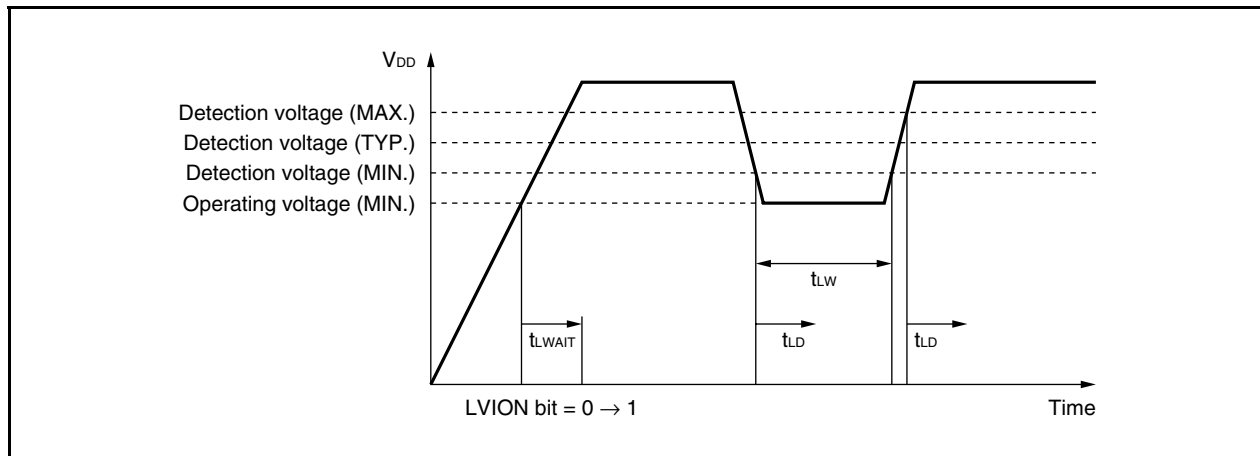


(8) LVI circuit characteristics

($T_A = -40$ to $+85^\circ\text{C}$, $V_{DD} = EV_{DD} = BV_{DD} = 3.5$ V to 5.5 V, 4.0 V $\leq AV_{REF0} \leq 5.5$ V, $V_{SS} = EV_{SS} = BV_{SS} = AV_{SS} = 0$ V, $C_L = 50$ pF)

Parameter	Symbol	Conditions	MIN.	TYP.	MAX.	Unit
Detection voltage	V_{LV10}		4.2	4.4	4.6	V
	V_{LV11}		4.0	4.2	4.4	V
Response time ^{Note 1}	t_{LD}	After V_{DD} reaches V_{LV10}/V_{LV11} (MAX.) or drops below V_{LV10}/V_{LV11} (MIN.)		0.2	2	ms
Minimum V_{DD} width	t_{LW}		0.2			ms
Reference voltage stabilization wait time ^{Note 2}	t_{LWAIT}	After V_{DD} reaches 3.5 V or LVION bit (LVIM.bit7) changes from 0 to 1		0.1	0.2	ms

- Notes**
1. The time required to output an interrupt/reset after the detection voltage is detected.
 2. Unnecessary when the POC function is used.

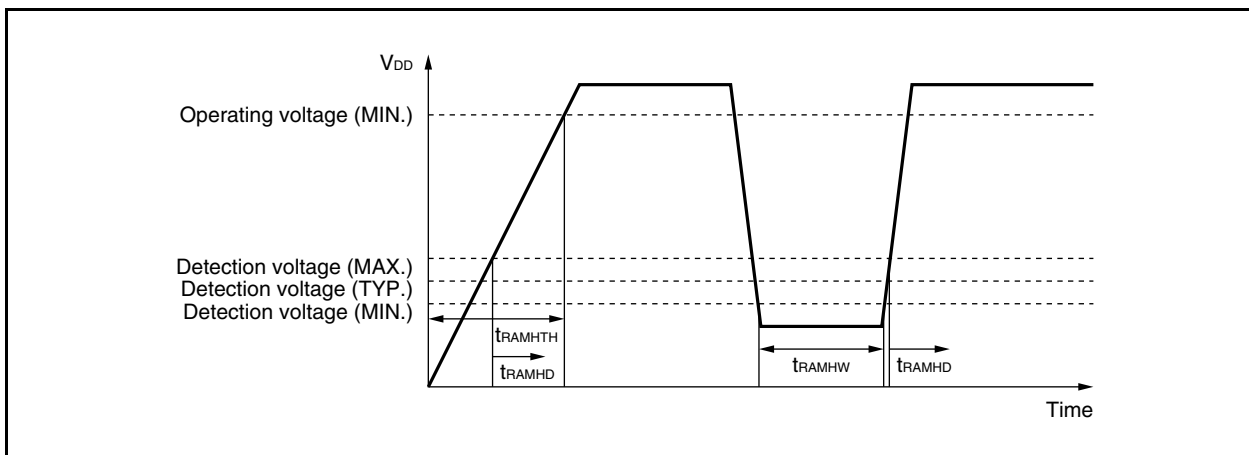


(9) RAM retention flag characteristics

($T_A = -40$ to $+85^\circ\text{C}$, $V_{DD} = EV_{DD} = BV_{DD} = 3.5$ V to 5.5 V, 4.0 V $\leq AV_{REF0} \leq 5.5$ V, $V_{SS} = EV_{SS} = BV_{SS} = AV_{SS} = 0$ V, $C_L = 50$ pF)

Parameter	Symbol	Conditions	MIN.	TYP.	MAX.	Unit
Detection voltage	V_{RAMH}		1.9	2.0	2.1	V
Supply voltage rise time	t_{RAMHTH}	$V_{DD} = 0$ V \rightarrow 3.5 V	0.002		1800	ms
Response time ^{Note}	t_{RAMHD}	After the supply voltage reaches the detection voltage (MAX.)		0.2	2.0	ms
Minimum V_{DD} width	t_{RAMHW}		0.2			ms

Note Time required to set the RAMF bit after the detection voltage is detected.



27.10 Flash Memory Programming Characteristics

(1) Basic characteristics

($T_A = -40$ to $+85^\circ\text{C}$, $V_{DD} = EV_{DD} = BV_{DD} = 3.5$ V to 5.5 V, 4.0 V $\leq AV_{REF0} \leq 5.5$ V, $V_{SS} = EV_{SS} = BV_{SS} = AV_{SS} = 0$ V, $C_L = 50$ pF)

Parameter	Symbol	Conditions	MIN.	TYP.	MAX.	Unit
Operating frequency	f_{CPU}		4		20	MHz
Supply voltage	V_{DD}		3.5		5.5	V
Number of writes	C_{WRT}^{Note}				100	Times
Input voltage, high	V_{IH}	FLMD0	$0.8EV_{DD}$		EV_{DD}	V
Input voltage, low	V_{IL}	FLMD0	EV_{SS}		$0.2EV_{SS}$	V
Write time + erase time	$t_{WRT} + t_{ERASE}$				TBD	s
Programming temperature	t_{PRG}		-40		+85	$^\circ\text{C}$

Note When writing initially to shipped products, it is counted as one rewrite for both “erase to write” and “write only”.

Example (P: Write, E: Erase)

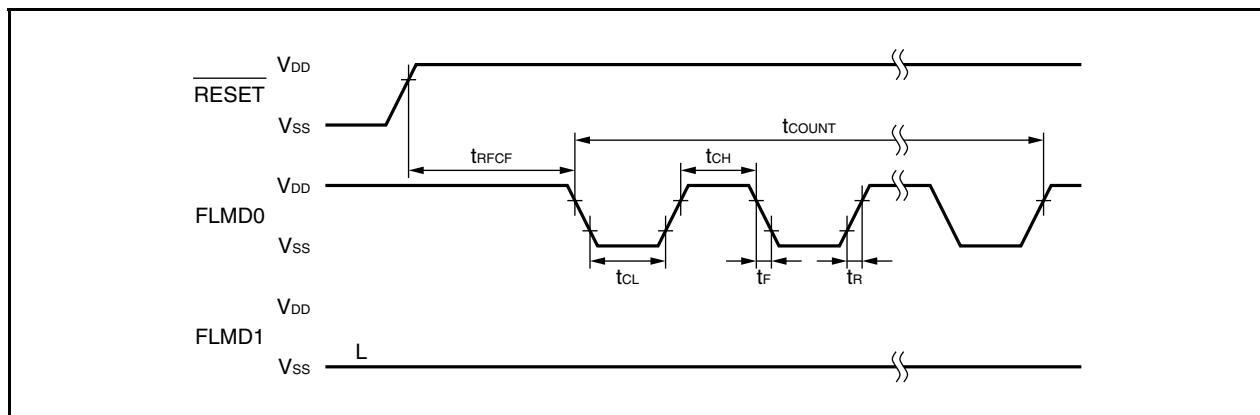
Shipped product → P → E → P → E → P: 3 rewrites

Shipped product → E → P → E → P → E → P: 3 rewrites

(2) Serial write operation characteristics

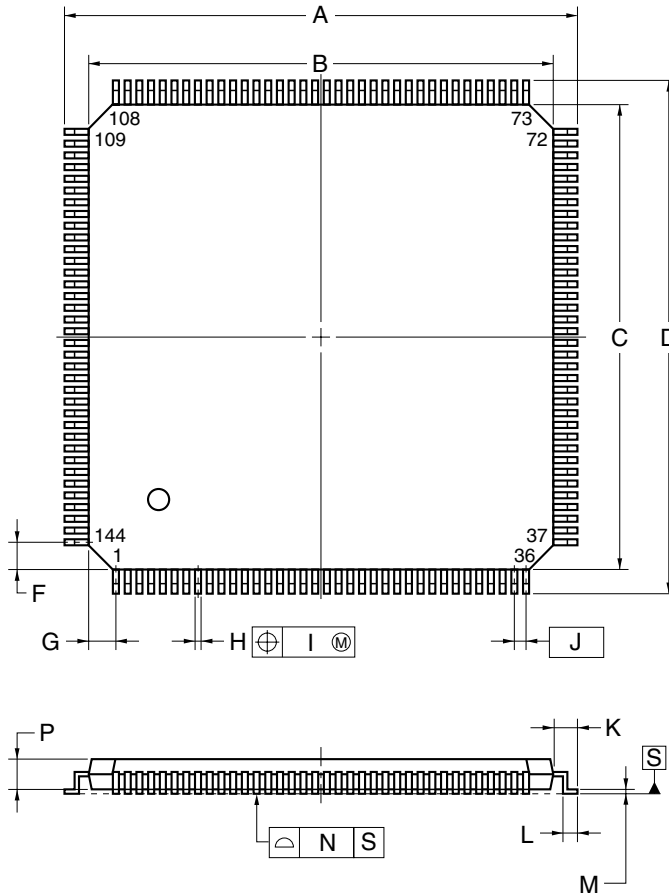
($T_A = -40$ to $+85^\circ\text{C}$, $V_{DD} = EV_{DD} = BV_{DD} = 3.5$ V to 5.5 V, 4.0 V $\leq AV_{REF0} \leq 5.5$ V, $V_{SS} = EV_{SS} = BV_{SS} = AV_{SS} = 0$ V, $C_L = 50$ pF)

Parameter	Symbol	Conditions	MIN.	TYP.	MAX.	Unit
FLMD0 setup time from $\overline{\text{RESET}}\uparrow$	t_{RFCF}		$70536/f_x$			s
Count execution time	t_{COUNT}				3	ms
FLMD0 high-level width	t_{CH}		10		100	μs
FLMD0 low-level width	t_{CL}		10		100	μs
FLMD0 rise time	t_R				50	ns
FLMD0 fall time	t_F				50	ns



CHAPTER 28 PACKAGE DRAWING

144-PIN PLASTIC LQFP (FINE PITCH) (20x20)



NOTE

Each lead centerline is located within 0.08 mm of its true position (T.P.) at maximum material condition.

ITEM	MILLIMETERS
A	22.0±0.2
B	20.0±0.2
C	20.0±0.2
D	22.0±0.2
F	1.25
G	1.25
H	0.22±0.05
I	0.08
J	0.5 (T.P.)
K	1.0±0.2
L	0.5±0.2
M	0.17 ^{+0.03} _{-0.07}
N	0.08
P	1.4
Q	0.10±0.05
R	3° ^{+4°} _{-3°}
S	1.5±0.1

S144GJ-50-UEN

CHAPTER 29 RECOMMENDED SOLDERING CONDITIONS

The V850ES/HJ2 should be soldered and mounted under the following recommended conditions. For technical information, see the following website.

Semiconductor Device Mount Manual (<http://www.necel.com/pkg/en/mount/index.html>)

Table 29-1. Surface Mounting Type Soldering Conditions

PD70F3709GJ-UEN-A: 144-pin plastic LQFP (fine pitch) (20 20)
PD70F3710GJ-UEN-A: 144-pin plastic LQFP (fine pitch) (20 20)
PD70F3711GJ-UEN-A: 144-pin plastic LQFP (fine pitch) (20 20)
PD70F3712GJ-UEN-A: 144-pin plastic LQFP (fine pitch) (20 20)

Soldering Method	Soldering Conditions	Recommended Condition Symbol
Infrared reflow	Package peak temperature: 260°C, Time: 60 seconds max. (at 220°C or higher), Count: Three times or less, Exposure limit: 7 days ^{Note} (after that, prebake at 125°C for 20 to 72 hours)	IR60-207-3
Partial heating	Pin temperature: 350°C max., Time: 3 seconds max. (per pin row)	—

Note After opening the dry pack, store it at 25°C or less and 65% RH or less for the allowable storage period.

Caution Do not use different soldering methods together (except for partial heating).

- Remarks**
1. Products with -A at the end of the part number are lead-free products.
 2. For soldering methods and conditions other than those recommended above, please contact an NEC Electronics sales representative.

APPENDIX A DEVELOPMENT TOOLS

The following development tools are available for the development of systems that employ the V850ES/HJ2. Figure A-1 shows the development tool configuration.

- **Support for PC98-NX series**

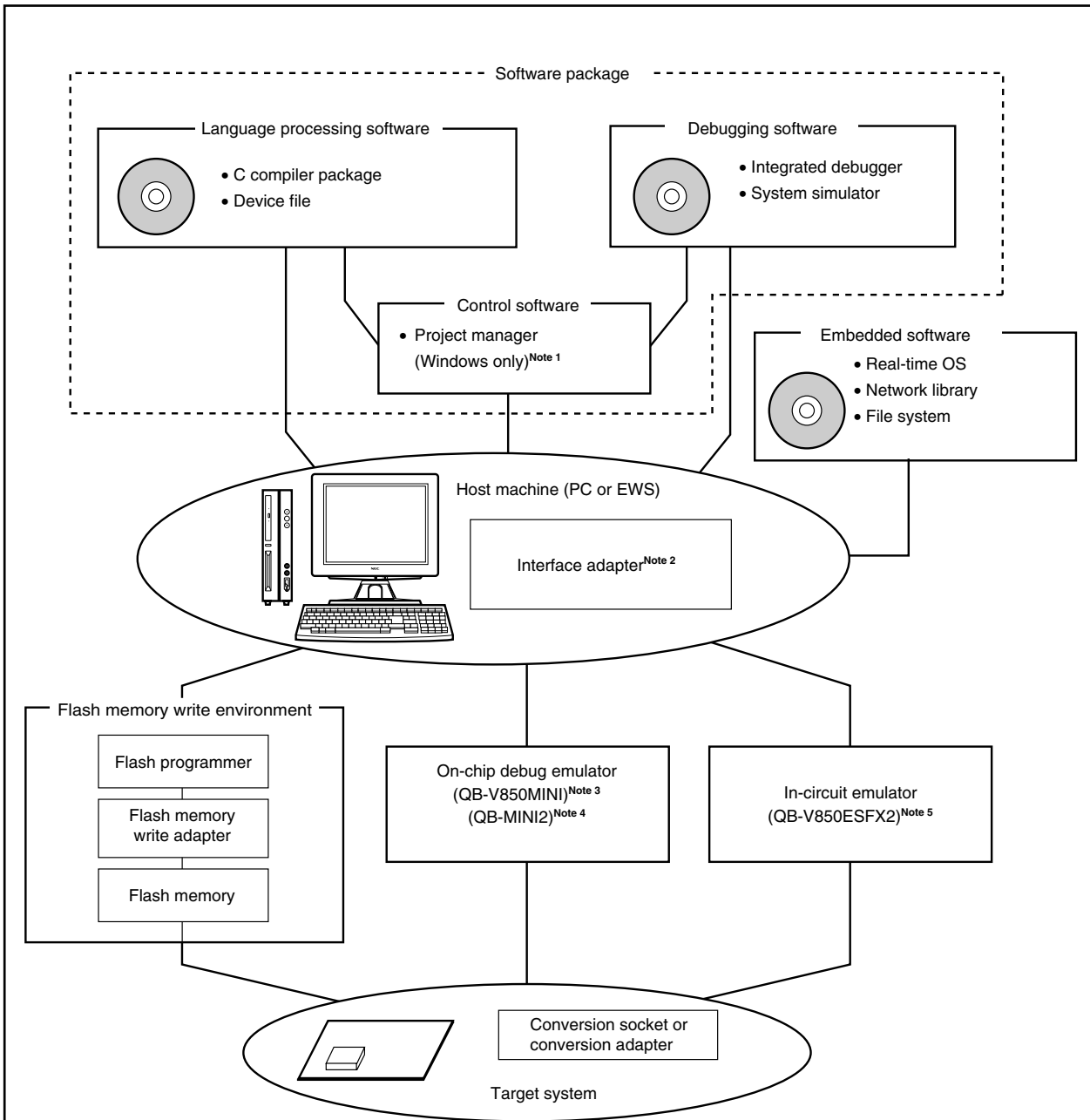
Unless otherwise specified, products supported by IBM PC/AT™ compatibles are compatible with PC98-NX series computers. When using PC98-NX series computers, refer to the explanation for IBM PC/AT compatibles.

- **Windows™**

Unless otherwise specified, "Windows" means the following OSs.

- Windows 98, 2000
- Windows Me
- Windows XP
- Windows NT™ Ver. 4.0

Figure A-1. Development Tool Configuration



- Notes**
1. Project manager PM+ is included in the C compiler package. PM+ is only used in Windows.
 2. The QB-V850MINI, QB-MINI2, and QB-V850ESFX2 support the USB interface only.
 3. The QB-V850MINI is supplied with the ID850QB, USB interface cable, OCD cable, self-check board, KEL adapter, and KEL connector. All other products are optional.
 4. The QB-MINI2 is supplied with USB interface cable, 16-pin target cable, 10-pin target cable, and 78K0-OCD board (integrated debugger is not supplied.) All other products are optional.
 5. The QB-V850ESFX2 is supplied with the ID850QB, flash memory programmer PG-FPL, power supply unit, and USB interface adapter. All other products are optional.

A.1 Software Package

SP850 Software package for V850 microcontrollers	Development tools (software) commonly used with V850 microcontrollers are included this package.
	Part number: S SP850

Remark in the part number differs depending on the host machine and OS used.

S SP850

	Host Machine	OS	Supply Medium
AB17	PC-9800 series,	Windows (Japanese version)	CD-ROM
BB17	IBM PC/AT compatibles	Windows (English version)	

A.2 Language Processing Software

CA850 C compiler package	This compiler converts programs written in C into object codes executable with a microcontroller. This compiler is started from project manager PM+.
	Part number: S CA703000
DF703712 Device file	This file contains information peculiar to the device. This device file should be used in combination with a tool (CA850, SM+ for V850ES/Hx2, or ID850QB). The corresponding OS and host machine differ depending on the tool to be used.

Remark in the part number differs depending on the host machine and OS used.

S CA703000

	Host Machine	OS	Supply Medium
AB17	PC-9800 series,	Windows (Japanese version)	CD-ROM
BB17	IBM PC/AT compatibles	Windows (English version)	
3K17	SPARCstation™	SunOS™ (Rel. 4.1.4), Solaris™ (Rel. 2.5.1)	

A.3 Control Software

PM+ Project manager	This is control software designed to enable efficient user program development in the Windows environment. All operations used in development of a user program, such as starting the editor, building, and starting the debugger, can be performed from PM+. <Caution> PM+ is included in C compiler package CA850. It can only be used in Windows.
------------------------	----------------------------------------------------------------------------------------------------------------------------------------------------------------------------------------------------------------------------------------------------------------------------------------------------------------------------------------------------------------------------------

A.4 Debugging Tools (Hardware)

A.4.1 When using IECUBE QB-V850ESFX2

The system configuration when connecting the QB-V850ESFX2 to the host machine (PC-9821 series, PC/AT compatible) is shown below. Even if optional products are not prepared, connection is possible.

Figure A-2. System Configuration (When Using QB-V850ESFX2) (1/2)

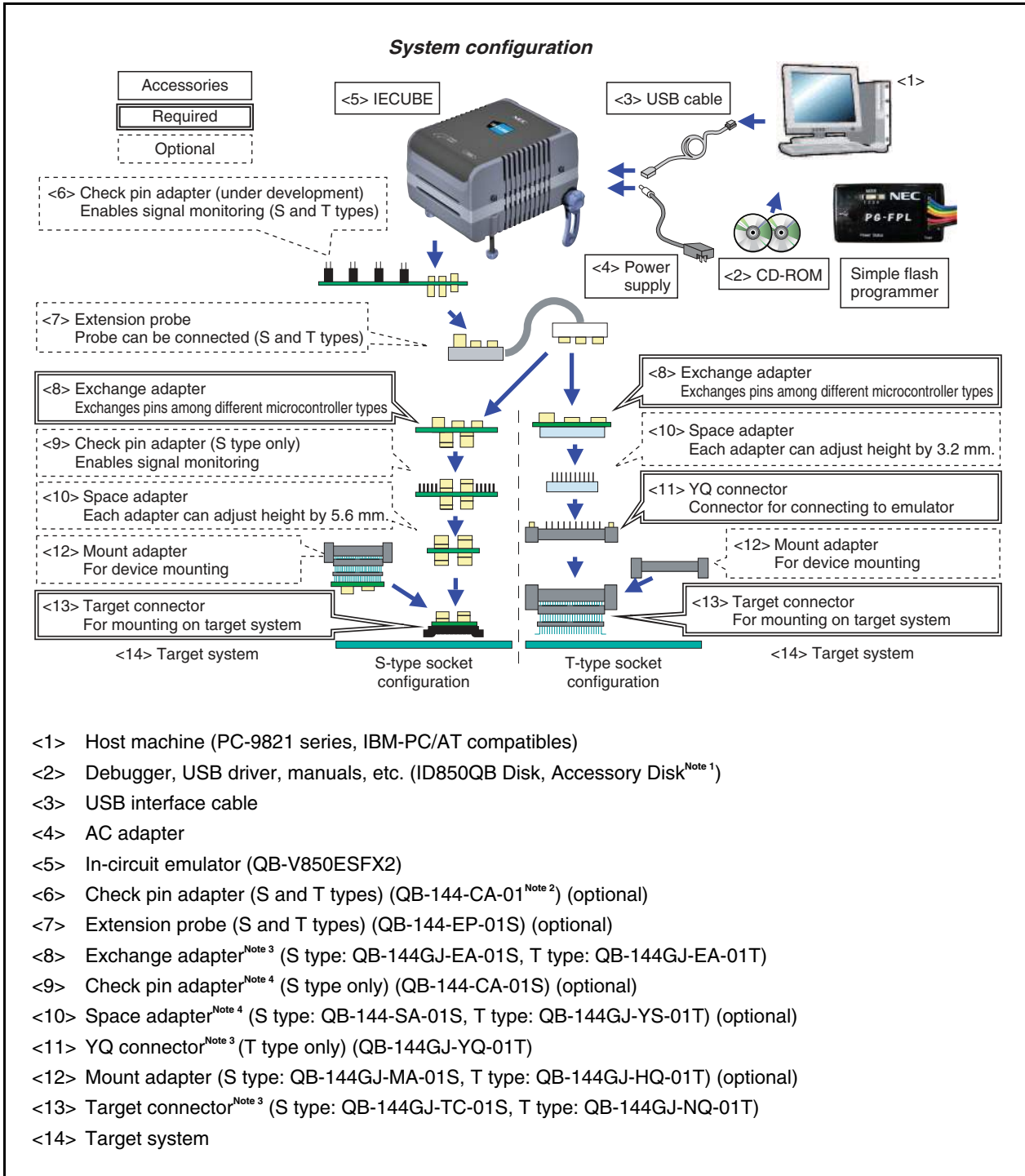


Figure A-2. System Configuration (When Using QB-V850ESFX2) (2/2)

<p>Notes</p> <ol style="list-style-type: none"> 1. Download the device file from the NEC Electronics website. http://www.necel.com/micro/ods/eng/ 2. Under development 3. Supplied with the device depending on the ordering number. <ul style="list-style-type: none"> • When QB-V850ESFX2-ZZZ is ordered The exchange adapter and the target connector are not supplied. • When QB-V850ESFX2-S144GJ is ordered The QB-144GJ-EA-01S and QB-144GJ-TC-01S are supplied. • When QB-V850ESFX2-T144GJ is ordered The QB-144GJ-EA-01T, QB-144GJ-YQ-01T, and QB-144GJ-NQ-01T are supplied. 4. When using both <9> and <10>, the order between <9> and <10> is not cared. 	
-----------------------------------------------------------------------------------------------------------------------------------------------------------------------------------------------------------------------------------------------------------------------------------------------------------------------------------------------------------------------------------------------------------------------------------------------------------------------------------------------------------------------------------------------------------------------------------------------------------------------------------------------------------------------------------------------------------------------------------------------------------------------------------------------------------------------------------------------------	--

<5> QB-V850ESFX2 ^{Note} In-circuit emulator	The in-circuit emulator serves to debug hardware and software when developing application systems using the V850ES/HJ2. It supports to the integrated debugger ID850QB. This emulator should be used in combination with a power supply unit and emulation probe. Use the USB interface cable to connect this emulator to the host machine.
<3> USB interface cable	Cable to connect the host machine and the QB-V850ESFX2.
<4> AC adapter	100 to 240 V can be supported by replacing the AC plug.
<8> QB-144GJ-EA-01S QB-144GJ-EA-01T Exchange adapter	Adapter to perform pin conversion.
<9> QB-144-CA-01S Check pin adapter	Adapter used in waveform monitoring using the oscilloscope, etc.
<10> QB-144-SA-01S QB-144GJ-YS-01T Space adapter	Adapter to adjust the height.
<11> QB-100GC-YQ-01T YQ connector	Connector to connect target connector and exchange adapter
<12> QB-144GJ-MA-01S QB-144GJ-HQ-01T Mount adapter	Adapter to mount the V850ES/HJ2 with socket.
<13> QB-144GJ-TC-01S QB-144GJ-NQ-01T Target connector	Connector to solder on the target system.

Note The QB-V850ESFX2 is supplied with a power supply unit, USB interface cable, and flash memory programmer PG-FPL. It is also supplied with integrated debugger ID850QB as control software.

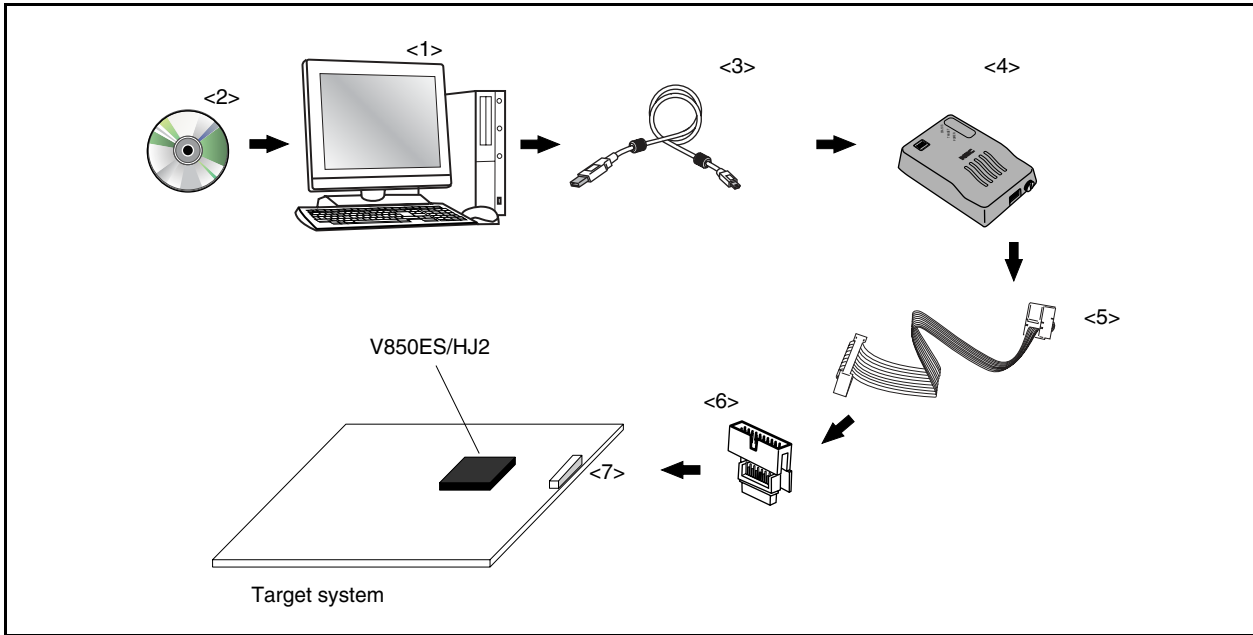
Remark The numbers in the angle brackets correspond to the numbers in Figure A-2.

A.4.2 When using MINICUBE QB-V850MINI

(1) On-chip emulation using MINICUBE

The system configuration when connecting MINICUBE to the host machine (PC-9821 series, PC/AT compatible) is shown below.

Figure A-3. On-Chip Emulation System Configuration



<1> Host machine	PC with USB ports
<2> CD-ROM ^{Note 1}	Contents such as integrated debugger ID850QB, N-Wire Checker, device driver, and documents are included in CD-ROM. It is supplied with MINICUBE.
<3> USB interface cable	USB cable to connect the host machine and MINICUBE. It is supplied with MINICUBE. The cable length is approximately 2 m.
<4> MINICUBE On-chip debug emulator	This on-chip debug emulator serves to debug hardware and software when developing application systems using the V850ES/HJ2. It supports integrated debugger ID850QB.
<5> OCD cable	Cable to connect MINICUBE and the target system. It is supplied with MINICUBE. The cable length is approximately 20 cm.
<6> Connector conversion board KEL adapter	This conversion board is supplied with MINICUBE.
<7> MINICUBE connector KEL connector ^{Note 2}	8830E-026-170S (supplied with MINICUBE) 8830E-026-170L (sold separately)

Notes 1. Download the device file from the NEC Electronics website.

<http://www.necel.com/micro/ods/eng/index.html>

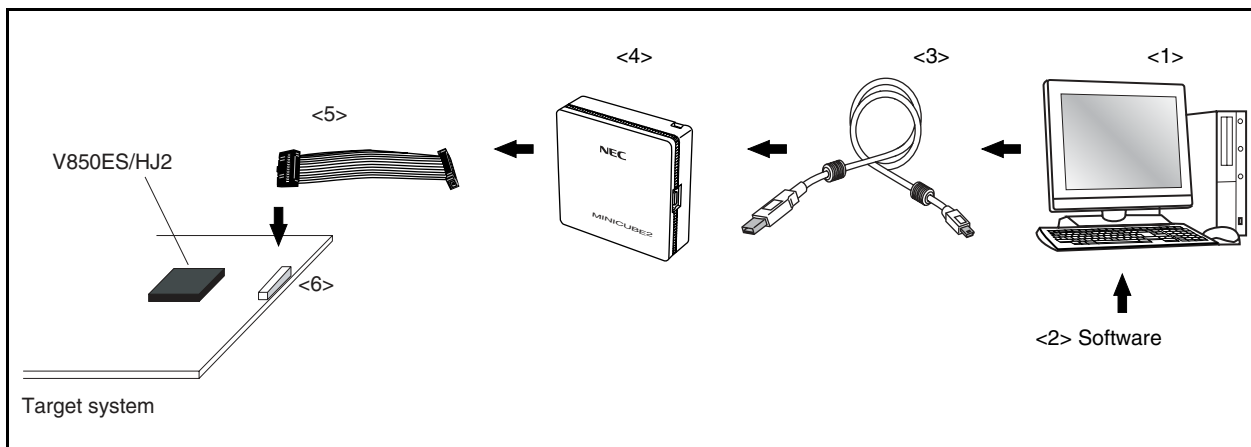
2. Product of KEL Corporation

Remark The numbers in the angular brackets correspond to the numbers in Figure A-3.

A.4.3 When using MINICUBE2 QB-MINI2

The system configuration when connecting MINICUBE2 to the host machine (PC-9821 series, PC/AT compatible) is shown below.

Figure A-4. System Configuration of On-Chip Emulation System



<1> Host machine	PC with USB ports
<2> Software	The integrated debugger ID850QB, device file, etc. Download the device file from the NEC Electronics website. http://www.necel.com/micro/ods/eng/
<3> USB interface cable	USB cable to connect the host machine and MINICUBE. It is supplied with MINICUBE. The cable length is approximately 2 m.
<4> MINICUBE2 On-chip debug emulator	This on-chip debug emulator serves to debug hardware and software when developing application systems using the V850ES/HJ2. It supports integrated debugger ID850QB.
<5> 16-pin target cable	Cable to connect MINICUBE2 and the target system. It is supplied with MINICUBE. The cable length is approximately 15 cm.
<6> Target connector (sold separately)	Use a 16-pin general-purpose connector with 2.54 mm pitch.

Remark The numbers in the angular brackets correspond to the numbers in Figure A-4.

A.5 Debugging Tools (Software)

SM+ for V850ES/Hx2 (under development) System simulator	This simulator is used with V850 microcontrollers. SM+ for V850ES/Hx2 is Windows-based software. Debugging of C source and assembler files is possible during simulation of the target system operation on the host machine. By using SM+ for V850ES/Hx2, logic verification and performance verification of applications can be performed independently from hardware development. Therefore, development efficiency and software quality can be improved. It should be used in combination with the device file.
Part number: μ SxxxxSM703712-B	
ID850QB Integrated debugger	This debugger supports the in-circuit emulators for V850 microcontrollers. The ID850QB is Windows-based software. It has improved C-compatible debugging functions and can display the results of tracing with the source program using an integrating window function that associates the source program, disassemble display, and memory display with the trace result. It should be used in combination with the device file.
Part number: μ Sxxxx ID703000-QB (ID850QB)	

Remark xxxx in the part number differs depending on the host machine and OS used.

μ SxxxxID703000-QB

xxxx	Host Machine	OS	Supply Medium
AB17	PC-9800 series,	Windows (Japanese version)	CD-ROM
BB17	IBM PC/AT compatibles	Windows (English version)	

A.6 Embedded Software

RX850, RX850 Pro Real-time OS	The RX850 and RX850 Pro are real-time OSs conforming to μ ITRON 3.0 specifications. A tool (configurator) for generating multiple information tables is supplied. RX850 Pro has more functions than the RX850.
	Part number: μ SxxxxRX703000- $\Delta\Delta\Delta\Delta$ (RX850) μ SxxxxRX703100- $\Delta\Delta\Delta\Delta$ (RX850 Pro)
Applilet ^{®Note}	This is a driver configurator that automatically generates sample programs for the V850ES/HJ2.
RX-FS850 (File system)	This is a FAT file system function. It is a file system that supports the CD-ROM file system function. This file system is used with the real-time OS RX850 Pro.

Note For how to obtain Applilet, consult an NEC Electronics sales representative.

Caution To purchase the RX850 or RX850 Pro, first fill in the purchase application form and sign the license agreement.

Remark xxxx and $\Delta\Delta\Delta\Delta$ in the part number differ depending on the host machine and OS used.

μ SxxxxRX703000- $\Delta\Delta\Delta\Delta$

μ SxxxxRX703100- $\Delta\Delta\Delta\Delta$

$\Delta\Delta\Delta\Delta$	Product Outline	Maximum Number for Use in Mass Production
001	Evaluation object	Do not use for mass-produced product.
100K	Mass-production object	0.1 million units
001M		1 million units
010M		10 million units
S01	Source program	Object source program for mass production

xxxx	Host Machine	OS	Supply Medium
AB17	PC-9800 series, IBM PC/AT compatibles	Windows (Japanese version)	CD-ROM
BB17		Windows (English version)	
3K17	SPARCstation	Solaris (Rel. 2.5.1)	

A.7 Flash Memory Writing Tools

Flashpro IV (part number: PG-FP4) Flash programmer	Flash programmer dedicated to microcontrollers with on-chip flash memory.
QB-MINI2 (MINICUBE2)	On-chip debug emulator with programming function.
FA-144GJ-UEN-A Flash memory writing adapter	Flash memory writing adapter used connected to the Flashpro IV, etc. (not wired).
FA-70F3712GJ-UEN-MX Flash memory writing adapter	Flash memory writing adapter used connected to the Flashpro IV, etc. (already wired).

Remark FA-144GJ-UEN-A and FA-70F3712GJ-UEN-MX are products of Naito Densai Machida Mfg. Co., Ltd.
TEL: +81-42-750-4172

APPENDIX B REGISTER INDEX

(1/11)

Symbol	Name	Unit	Page
ADA0CR0	A/D conversion result register 0	ADC	461
ADA0CR0H	A/D conversion result register 0H	ADC	461
ADA0CR1	A/D conversion result register 1	ADC	461
ADA0CR1H	A/D conversion result register 1H	ADC	461
ADA0CR10	A/D conversion result register 10	ADC	461
ADA0CR10H	A/D conversion result register 10H	ADC	461
ADA0CR11	A/D conversion result register 11	ADC	461
ADA0CR11H	A/D conversion result register 11H	ADC	461
ADA0CR12	A/D conversion result register 12	ADC	461
ADA0CR12H	A/D conversion result register 12H	ADC	461
ADA0CR13	A/D conversion result register 13	ADC	461
ADA0CR13H	A/D conversion result register 13H	ADC	461
ADA0CR14	A/D conversion result register 14	ADC	461
ADA0CR14H	A/D conversion result register 14H	ADC	461
ADA0CR15	A/D conversion result register 15	ADC	461
ADA0CR15H	A/D conversion result register 15H	ADC	461
ADA0CR16	A/D conversion result register 16	ADC	461
ADA0CR16H	A/D conversion result register 16H	ADC	461
ADA0CR17	A/D conversion result register 17	ADC	461
ADA0CR17H	A/D conversion result register 17H	ADC	461
ADA0CR18	A/D conversion result register 18	ADC	461
ADA0CR18H	A/D conversion result register 18H	ADC	461
ADA0CR19	A/D conversion result register 19	ADC	461
ADA0CR19H	A/D conversion result register 19H	ADC	461
ADA0CR2	A/D conversion result register 2	ADC	461
ADA0CR2H	A/D conversion result register 2H	ADC	461
ADA0CR20	A/D conversion result register 20	ADC	461
ADA0CR20H	A/D conversion result register 20H	ADC	461
ADA0CR21	A/D conversion result register 21	ADC	461
ADA0CR21H	A/D conversion result register 21H	ADC	461
ADA0CR22	A/D conversion result register 22	ADC	461
ADA0CR22H	A/D conversion result register 22H	ADC	461
ADA0CR23	A/D conversion result register 23	ADC	461
ADA0CR23H	A/D conversion result register 23H	ADC	461
ADA0CR3	A/D conversion result register 3	ADC	461
ADA0CR3H	A/D conversion result register 3H	ADC	461
ADA0CR4	A/D conversion result register 4	ADC	461
ADA0CR4H	A/D conversion result register 4H	ADC	461
ADA0CR5	A/D conversion result register 5	ADC	461

Symbol	Name	Unit	Page
ADA0CR5H	A/D conversion result register 5H	ADC	461
ADA0CR6	A/D conversion result register 6	ADC	461
ADA0CR6H	A/D conversion result register 6H	ADC	461
ADA0CR7	A/D conversion result register 7	ADC	461
ADA0CR7H	A/D conversion result register 7H	ADC	461
ADA0CR8	A/D conversion result register 8	ADC	461
ADA0CR8H	A/D conversion result register 8H	ADC	461
ADA0CR9	A/D conversion result register 9	ADC	461
ADA0CR9H	A/D conversion result register 9H	ADC	461
ADA0M0	A/D converter mode register 0	ADC	456
ADA0M1	A/D converter mode register 1	ADC	458
ADA0M2	A/D converter mode register 2	ADC	459
ADA0PFM	Power-fail compare mode register	ADC	463
ADA0PFT	Power-fail compare threshold value register	ADC	463
ADA0S	A/D converter channel specification register 0	ADC	460
ADIC	Interrupt control register	INTC	606
AWC	Address wait control register	BCU	204
BCC	Bus cycle control register	BCU	205
BSC	Bus size configuration register bus	BCU	194
CB0CTL0	CSIB0 control register 0	CSI	521
CB0CTL1	CSIB0 control register 1	CSI	524
CB0CTL2	CSIB0 control register 2	CSI	525
CB0RIC	Interrupt control register	INTC	606
CB0RX	CSIB0 receive data register	CSI	520
CB0RXL	CSIB0 receive data register L	CSI	520
CB0STR	CSIB0 status register	CSI	527
CB0TIC	Interrupt control register	INTC	606
CB0TX	CSIB0 transmit data register	CSI	520
CB0TXL	CSIB0 transmit data register L	CSI	520
CB1CTL0	CSIB1 control register 0	CSI	521
CB1CTL1	CSIB1 control register 1	CSI	524
CB1CTL2	CSIB1 control register 2	CSI	525
CB1RIC	Interrupt control register	INTC	606
CB1RX	CSIB1 receive data register	CSI	520
CB1RXL	CSIB1 receive data register L	CSI	520
CB1STR	CSIB1 status register	CSI	527
CB1TIC	Interrupt control register	INTC	606
CB1TX	CSIB1 transmit data register	CSI	520
CB1TXL	CSIB1 transmit data register L	CSI	520
CB2CTL0	CSIB2 control register 0	CSI	521
CB2CTL1	CSIB2 control register 1	CSI	524
CB2CTL2	CSIB2 control register 2	CSI	525
CB2RIC	Interrupt control register	INTC	606

Symbol	Name	Unit	Page
CB2RX	CSIB2 receive data register	CSI	520
CB2RXL	CSIB2 receive data register L	CSI	520
CB2STR	CSIB2 status register	CSI	527
CB2TIC	Interrupt control register	INTC	606
CB2TX	CSIB2 transmit data register	CSI	520
CB2TXL	CSIB2 transmit data register L	CSI	520
CCLS	CPU operation clock status register	CG	219
CLM	Clock monitor mode register	CLM	661
CTBP	CALL base pointer	CPU	58
CTPC	CALLT execution status saving register	CPU	57
CTPSW	CALLT execution status saving register	CPU	57
DADC0	DMA addressing control register 0	DMA	571
DADC1	DMA addressing control register 1	DMA	571
DADC2	DMA addressing control register 2	DMA	571
DADC3	DMA addressing control register 3	DMA	571
DBC0	DMA transfer count register 0	DMA	570
DBC1	DMA transfer count register 1	DMA	570
DBC2	DMA transfer count register 2	DMA	570
DBC3	DMA transfer count register 3	DMA	570
DBPC	Exception/debug trap status saving register	CPU	58
DBPSW	Exception/debug trap status saving register	CPU	58
DCHC0	DMA channel control register 0	DMA	572
DCHC1	DMA channel control register 1	DMA	572
DCHC2	DMA channel control register 2	DMA	572
DCHC3	DMA channel control register 3	DMA	572
DDA0H	DMA destination address register 0H	DMA	569
DDA0L	DMA destination address register 0L	DMA	569
DDA1H	DMA destination address register 1H	DMA	569
DDA1L	DMA destination address register 1L	DMA	569
DDA2H	DMA destination address register 2H	DMA	569
DDA2L	DMA destination address register 2L	DMA	569
DDA3H	DMA destination address register 3H	DMA	569
DDA3L	DMA destination address register 3L	DMA	569
DMAIC0	Interrupt control register	INTC	606
DMAIC1	Interrupt control register	INTC	606
DMAIC2	Interrupt control register	INTC	606
DMAIC3	Interrupt control register	INTC	606
DSA0H	DMA source address register 0H	DMA	568
DSA0L	DMA source address register 0L	DMA	568
DSA1H	DMA source address register 1H	DMA	568
DSA1L	DMA source address register 1L	DMA	568
DSA2H	DMA source address register 2H	DMA	568
DSA2L	DMA source address register 2L	DMA	568

Symbol	Name	Unit	Page
DSA3H	DMA source address register 3H	DMA	568
DSA3L	DMA source address register 3L	DMA	568
DTFR0	DMA trigger factor register 0	DMA	573
DTFR1	DMA trigger factor register 1	DMA	573
DTFR2	DMA trigger factor register 2	DMA	573
DTFR3	DMA trigger factor register 3	DMA	573
DWC0	Data wait control register 0	BCU	202
ECR	Interrupt source register	CPU	55
EIPC	Interrupt status saving register	CPU	54
EIPSW	Interrupt status saving register	CPU	54
FEPC	NMI status saving register	CPU	55
FEPSW	NMI status saving register	CPU	55
IMR0	Interrupt mask register 0	INTC	606
IMR0H	Interrupt mask register 0H	INTC	606
IMR0L	Interrupt mask register 0L	INTC	606
IMR1	Interrupt mask register 1	INTC	606
IMR1H	Interrupt mask register 1H	INTC	606
IMR1L	Interrupt mask register 1L	INTC	606
IMR2	Interrupt mask register 2	INTC	606
IMR2H	Interrupt mask register 2H	INTC	606
IMR2L	Interrupt mask register 2L	INTC	606
IMR3	Interrupt mask register 3	INTC	606
IMR3H	Interrupt mask register 3H	INTC	606
IMR3L	Interrupt mask register 3L	INTC	606
IMR4	Interrupt mask register 4	INTC	606
IMR4H	Interrupt mask register 4H	INTC	606
IMR4L	Interrupt mask register 4L	INTC	606
INTF0	External interrupt falling edge specification register 0	INTC	620
INTF1	External interrupt falling edge specification register 1	INTC	621
INTF3	External interrupt falling edge specification register 3	INTC	622
INTF3H	External interrupt falling edge specification register 3H	INTC	622
INTF3L	External interrupt falling edge specification register 3L	INTC	622
INTF6L	External interrupt falling edge specification register 6L	INTC	623
INTF8	External interrupt falling edge specification register 8	INTC	624
INTF9H	External interrupt falling edge specification register 9H	INTC	625
INTR0	External interrupt rising edge specification register 0	INTC	620
INTR1	External interrupt rising edge specification register 1	INTC	621
INTR3	External interrupt rising edge specification register 3	INTC	622
INTR3H	External interrupt rising edge specification register 3H	INTC	622
INTR3L	External interrupt rising edge specification register 3L	INTC	622
INTR6L	External interrupt rising edge specification register 6L	INTC	623
INTR8	External interrupt rising edge specification register 8	INTC	624
INTR9H	External interrupt rising edge specification register 9H	INTC	625

Symbol	Name	Unit	Page
ISPR	In-service priority register	INTC	610
KRIC	Interrupt control register	INTC	606
KRM	Key return mode register	KR	631
LOCKR	Lock register	CG	222
LVIIC	Interrupt control register	INTC	606
LVIM	Low-voltage detection register	LVI	668
LVIS	Low-voltage detection level select register	LVI	669
NFC	Noise elimination control register	INTC	626
OCDM	On-chip debug mode register	DCU	705
OSTS	Oscillation stabilization time select register	WDT	636
P0	Port 0	Port	94
P00NFC	TIP00 pin noise elimination control register	Timer	242
P01NFC	TIP01 pin noise elimination control register	Timer	242
P1	Port 1	Port	98
P10NFC	TIP10 pin noise elimination control register	Timer	242
P11NFC	TIP11 pin noise elimination control register	Timer	242
P12	Port 12	Port	138
P20NFC	TIP20 pin noise elimination control register	Timer	242
P21NFC	TIP21 pin noise elimination control register	Timer	242
P3	Port 3	Port	101
P30NFC	TIP30 pin noise elimination control register	Timer	242
P31NFC	TIP31 pin noise elimination control register	Timer	242
P3H	Port 3H	Port	101
P3L	Port 3L	Port	101
P4	Port 4	Port	107
P5	Port 5	Port	110
P6	Port 6	Port	116
P6H	Port 6H	Port	116
P6L	Port 6L	Port	116
P7H	Port 7H	Port	123
P7L	Port 7L	Port	123
P8	Port 8	Port	125
P9	Port 9	Port	128
P9H	Port 9H	Port	128
P9L	Port 9L	Port	128
PC	Program counter	CPU	52
PCC	Processor clock control register	CG	215
PCD	Port CD	Port	140
PCLM	Programmable clock mode register	CG	224
PCM	Port CM	Port	142
PCS	Port CS	Port	145
PCT	Port CT	Port	148
PDL	Port DL	Port	151
PDLH	Port DLH	Port	151

Symbol	Name	Unit	Page
PDLL	Port DLL	Port	151
PEMU1	Peripheral emulation register 1	LVI	674
PFC0	Port function control register 0	Port	96
PFC3L	Port function control register 3L	Port	103
PFC5	Port function control register 5	Port	112
PFC6	Port function control register 6	Port	119
PFC6H	Port function control register 6H	Port	119
PFC6L	Port function control register 6L	Port	119
PFC9	Port function control register 9	Port	131
PFC9H	Port function control register 9H	Port	131
PFC9L	Port function control register 9L	Port	131
PFCE3L	Port function control expansion register 3L	Port	104
PFCE5	Port function control expansion register 5	Port	112
PFCE9	Port function control expansion register 9	Port	132
PFCE9H	Port function control expansion register 9H	Port	132
PFCE9L	Port function control expansion register 9L	Port	132
PIC0	Interrupt control register	INTC	606
PIC1	Interrupt control register	INTC	606
PIC10	Interrupt control register	INTC	606
PIC11	Interrupt control register	INTC	606
PIC12	Interrupt control register	INTC	606
PIC13	Interrupt control register	INTC	606
PIC14	Interrupt control register	INTC	606
PIC2	Interrupt control register	INTC	606
PIC3	Interrupt control register	INTC	606
PIC4	Interrupt control register	INTC	606
PIC5	Interrupt control register	INTC	606
PIC6	Interrupt control register	INTC	606
PIC7	Interrupt control register	INTC	606
PIC8	Interrupt control register	INTC	606
PIC9	Interrupt control register	INTC	606
PLLCTL	PLL control register	CG	221
PLLS	PLL lockup time specification register	CG	223
PM0	Port mode register 0	Port	94
PM1	Port mode register 1	Port	98
PM12	Port mode register 12	Port	138
PM3	Port mode register 3	Port	101
PM3H	Port mode register 3H	Port	101
PM3L	Port mode register 3L	Port	101
PM4	Port mode register 4	Port	107
PM5	Port mode register 5	Port	110
PM6	Port mode register 6	Port	116
PM6H	Port mode register 6H	Port	116

Symbol	Name	Unit	Page
PM6L	Port mode register 6L	Port	116
PM7H	Port mode register 7H	Port	123
PM7L	Port mode register 7L	Port	123
PM8	Port mode register 8	Port	125
PM9	Port mode register 9	Port	128
PM9H	Port mode register 9H	Port	128
PM9L	Port mode register 9L	Port	128
PMC0	Port mode control register 0	Port	95
PMC1	Port mode control register 1	Port	99
PMC3	Port mode control register 3	Port	102
PMC3H	Port mode control register 3H	Port	102
PMC3L	Port mode control register 3L	Port	102
PMC4	Port mode control register 4	Port	108
PMC5	Port mode control register 5	Port	111
PMC6	Port mode control register 6	Port	117
PMC6H	Port mode control register 6H	Port	117
PMC6L	Port mode control register 6L	Port	117
PMC8	Port mode control register 8	Port	126
PMC9	Port mode control register 9	Port	129
PMC9H	Port mode control register 9H	Port	129
PMC9L	Port mode control register 9L	Port	129
PMCCM	Port mode control register CM	Port	143
PMCCS	Port mode control register CS	Port	146
PM CCT	Port mode control register CT	Port	149
PMCD	Port mode register CD	Port	140
PMCDL	Port mode control register DL	Port	152
PMCDLH	Port mode control register DLH	Port	152
PMCDLL	Port mode control register DLL	Port	152
PMCM	Port mode register CM	Port	142
PMCS	Port mode register CS	Port	145
PMCT	Port mode register CT	Port	148
PMDL	Port mode register DL	Port	151
PMDLH	Port mode register DLH	Port	151
PMDLL	Port mode register DLL	Port	151
PRCMD	Command register	CPU	84
PRSCM0	Prescaler compare register 0	WT	440, 564
PRSM0	Prescaler mode register 0	WT	439, 563
PSC	Power save control register	CG	634
PSMR	Power save mode register	CG	635
PSW	Program status word	CPU	56
PU0	Pull-up resistor option register 0	Port	96
PU1	Pull-up resistor option register 1	Port	99
PU3	Pull-up resistor option register 3	Port	105

Symbol	Name	Unit	Page
PU3H	Pull-up resistor option register 3H	Port	105
PU3L	Pull-up resistor option register 3L	Port	105
PU4	Pull-up resistor option register 4	Port	108
PU5	Pull-up resistor option register 5	Port	114
PU6	Pull-up resistor option register 6	Port	121
PU6H	Pull-up resistor option register 6H	Port	121
PU6L	Pull-up resistor option register 6L	Port	121
PU8	Pull-up resistor option register 8	Port	126
PU9	Pull-up resistor option register 9	Port	136
PU9H	Pull-up resistor option register 9H	Port	136
PU9L	Pull-up resistor option register 9L	Port	136
Q00NFC	TIQ00 pin noise elimination control register	Timer	342
Q01NFC	TIQ01 pin noise elimination control register	Timer	342
Q02NFC	TIQ02 pin noise elimination control register	Timer	342
Q03NFC	TIQ03 pin noise elimination control register	Timer	342
Q10NFC	TIQ10 pin noise elimination control register	Timer	342
Q11NFC	TIQ11 pin noise elimination control register	Timer	342
Q12NFC	TIQ12 pin noise elimination control register	Timer	342
Q13NFC	TIQ13 pin noise elimination control register	Timer	342
Q20NFC	TIQ20 pin noise elimination control register	Timer	342
Q21NFC	TIQ21 pin noise elimination control register	Timer	342
Q22NFC	TIQ22 pin noise elimination control register	Timer	342
Q23NFC	TIQ23 pin noise elimination control register	Timer	342
r0 to r31	General-purpose register	CPU	52
RAMS	Internal RAM data status register	CG	669
RCM	Internal oscillation mode register	CG	219
RESF	Reset source flag register	CG	653
SELCNT0	Selector operation control register 0	Timer	319
SYS	System status register	CPU	85
TM0CMP0	TMM0 compare register 0	Timer	429
TM0CTL0	TMM0 control register 0	Timer	430
TM0EQIC0	Interrupt control register	INTC	606
TP0CCIC0	Interrupt control register	INTC	606
TP0CCIC1	Interrupt control register	INTC	606
TP0CCR0	TMP0 capture/compare register 0	Timer	237
TP0CCR1	TMP0 capture/compare register 1	Timer	239
TP0CNT	TMP0 counter read buffer register	Timer	241
TP0CTL0	TMP0 control register 0	Timer	230
TP0CTL1	TMP0 control register 1	Timer	231
TP0IOC0	TMP0 I/O control register 0	Timer	233
TP0IOC1	TMP0 I/O control register 1	Timer	234
TP0IOC2	TMP0 I/O control register 2	Timer	235
TP0OPT0	TMP0 option register 0	Timer	236

Symbol	Name	Unit	Page
TP0OVIC	Interrupt control register	INTC	606
TP1CCIC0	Interrupt control register	INTC	606
TP1CCIC1	Interrupt control register	INTC	606
TP1CCR0	TMP1 capture/compare register 0	Timer	237
TP1CCR1	TMP1 capture/compare register 1	Timer	239
TP1CNT	TMP1 counter read buffer register	Timer	241
TP1CTL0	TMP1 control register 0	Timer	230
TP1CTL1	TMP1 control register 1	Timer	231
TP1IOC0	TMP1 I/O control register 0	Timer	233
TP1IOC1	TMP1 I/O control register 1	Timer	234
TP1IOC2	TMP1 I/O control register 2	Timer	235
TP1OPT0	TMP1 option register 0	Timer	236
TP1OVIC	Interrupt control register	INTC	606
TP2CCIC0	Interrupt control register	INTC	606
TP2CCIC1	Interrupt control register	INTC	606
TP2CCR0	TMP2 capture/compare register 0	Timer	237
TP2CCR1	TMP2 capture/compare register 1	Timer	239
TP2CNT	TMP2 counter read buffer register	Timer	241
TP2CTL0	TMP2 control register 0	Timer	230
TP2CTL1	TMP2 control register 1	Timer	231
TP2IOC0	TMP2 I/O control register 0	Timer	233
TP2IOC1	TMP2 I/O control register 1	Timer	234
TP2IOC2	TMP2 I/O control register 2	Timer	235
TP2OPT0	TMP2 option register 0	Timer	236
TP2OVIC	Interrupt control register	INTC	606
TP3CCIC0	Interrupt control register	INTC	606
TP3CCIC1	Interrupt control register	INTC	606
TP3CCR0	TMP3 capture/compare register 0	Timer	237
TP3CCR1	TMP3 capture/compare register 1	Timer	239
TP3CNT	TMP3 counter read buffer register	Timer	241
TP3CTL0	TMP3 control register 0	Timer	230
TP3CTL1	TMP3 control register 1	Timer	231
TP3IOC0	TMP3 I/O control register 0	Timer	233
TP3IOC1	TMP3 I/O control register 1	Timer	234
TP3IOC2	TMP3 I/O control register 2	Timer	235
TP3OPT0	TMP3 option register 0	Timer	236
TP3OVIC	Interrupt control register	INTC	606
TQ0CCIC0	Interrupt control register	INTC	606
TQ0CCIC1	Interrupt control register	INTC	606
TQ0CCIC2	Interrupt control register	INTC	606
TQ0CCIC3	Interrupt control register	INTC	606
TQ0CCR0	TMQ0 capture/compare register 0	Timer	333
TQ0CCR1	TMQ0 capture/compare register 1	Timer	335

Symbol	Name	Unit	Page
TQ0CCR2	TMQ0 capture/compare register 2	Timer	337
TQ0CCR3	TMQ0 capture/compare register 3	Timer	339
TQ0CNT	TMQ0 counter read buffer register	Timer	341
TQ0CTL0	TMQ0 control register 0	Timer	326
TQ0CTL1	TMQ0 control register 1	Timer	327
TQ0IOC0	TMQ0 I/O control register 0	Timer	329
TQ0IOC1	TMQ0 I/O control register 1	Timer	330
TQ0IOC2	TMQ0 I/O control register 2	Timer	331
TQ0OPT0	TMQ0 option register 0	Timer	332
TQ0OVIC	Interrupt control register	INTC	606
TQ1CCIC0	Interrupt control register	INTC	606
TQ1CCIC1	Interrupt control register	INTC	606
TQ1CCIC2	Interrupt control register	INTC	606
TQ1CCIC3	Interrupt control register	INTC	606
TQ1CCR0	TMQ1 capture/compare register 0	Timer	333
TQ1CCR1	TMQ1 capture/compare register 1	Timer	335
TQ1CCR2	TMQ1 capture/compare register 2	Timer	337
TQ1CCR3	TMQ1 capture/compare register 3	Timer	339
TQ1CNT	TMQ1 counter read buffer register	Timer	341
TQ1CTL0	TMQ1 control register 0	Timer	326
TQ1CTL1	TMQ1 control register 1	Timer	327
TQ1IOC0	TMQ1 I/O control register 0	Timer	329
TQ1IOC1	TMQ1 I/O control register 1	Timer	330
TQ1IOC2	TMQ1 I/O control register 2	Timer	331
TQ1OPT0	TMQ1 timer option register 0	Timer	332
TQ1OVIC	Interrupt control register	INTC	606
TQ2CCIC0	Interrupt control register	INTC	606
TQ2CCIC1	Interrupt control register	INTC	606
TQ2CCIC2	Interrupt control register	INTC	606
TQ2CCIC3	Interrupt control register	INTC	606
TQ2CCR0	TMQ2 capture/compare register 0	Timer	333
TQ2CCR1	TMQ2 capture/compare register 1	Timer	335
TQ2CCR2	TMQ2 capture/compare register 2	Timer	337
TQ2CCR3	TMQ2 capture/compare register 3	Timer	339
TQ2CNT	TMQ2 counter read buffer register	Timer	341
TQ2CTL0	TMQ2 I/O control register 0	Timer	326
TQ2CTL1	TMQ2 I/O control register 1	Timer	327
TQ2IOC0	TMQ2 I/O control register 0	Timer	329
TQ2IOC1	TMQ2 I/O control register 1	Timer	330
TQ2IOC2	TMQ2 I/O control register 2	Timer	331
TQ2OPT0	TMQ2 option register 0	Timer	332
TQ2OVIC	Interrupt control register	INTC	606
UA0CTL0	UARTA0 control register 0	UART	488

Symbol	Name	Unit	Page
UA0CTL1	UARTA0 control register 1	UART	510
UA0CTL2	UARTA0 control register 2	UART	511
UA0OPT0	UARTA0 option control register 0	UART	490
UA0RIC	Interrupt control register	INTC	606
UA0RX	UARTA0 receive data register	UART	493
UA0STR	UARTA0 status register	UART	491
UA0TIC	Interrupt control register	INTC	606
UA0TX	UARTA0 transmit data register	UART	493
UA1CTL0	UARTA1 control register 0	UART	488
UA1CTL1	UARTA1 control register 1	UART	510
UA1CTL2	UARTA1 control register 2	UART	511
UA1OPT0	UARTA1 option control register 0	UART	490
UA1RIC	Interrupt control register	INTC	606
UA1RX	UARTA1 receive data register	UART	493
UA1STR	UARTA1 status register	UART	491
UA1TIC	Interrupt control register	INTC	606
UA1TX	UARTA1 transmit data register	UART	493
UA2CTL0	UARTA2 control register 0	UART	488
UA2CTL1	UARTA2 control register 1	UART	510
UA2CTL2	UARTA2 control register 2	UART	511
UA2OPT0	UARTA2 option control register 0	UART	490
UA2RIC	Interrupt control register	INTC	606
UA2RX	UARTA2 receive data register	UART	493
UA2STR	UARTA2 status register	UART	491
UA2TIC	Interrupt control register	INTC	606
UA2TX	UARTA2 transmit data register	UART	493
UA3CTL0	UARTA3 control register 0	UART	488
UA3CTL1	UARTA3 control register 1	UART	510
UA3CTL2	UARTA3 control register 2	UART	511
UA3OPT0	UARTA3 option control register 0	UART	490
UA3RIC	Interrupt control register	INTC	606
UA3RX	UARTA3 receive data register	UART	493
UA3STR	UARTA3 status register	UART	491
UA3TIC	Interrupt control register	INTC	606
UA3TX	UARTA3 transmit data register	UART	493
VSWC	System wait control register	CPU	86
WDTE	Watchdog timer enable register	WDT	450
WDTM2	Watchdog timer mode register 2	WDT	448, 611
WTIC	Interrupt control register	INTC	606
WTIIC	Interrupt control register	INTC	606
WTM	Watch timer operation mode register	WT	441

APPENDIX C INSTRUCTION SET LIST

C.1 Conventions

(1) Register symbols used to describe operands

Register Symbol	Explanation
reg1	General-purpose registers: Used as source registers.
reg2	General-purpose registers: Used mainly as destination registers. Also used as source register in some instructions.
reg3	General-purpose registers: Used mainly to store the remainders of division results and the higher 32 bits of multiplication results.
bit#3	3-bit data for specifying the bit number
immX	X bit immediate data
dispX	X bit displacement data
regID	System register number
vector	5-bit data that specifies the trap vector (00H to 1FH)
cccc	4-bit data that shows the conditions code
sp	Stack pointer (r3)
ep	Element pointer (r30)
listX	X item register list

(2) Register symbols used to describe opcodes

Register Symbol	Explanation
R	1-bit data of a code that specifies reg1 or regID
r	1-bit data of the code that specifies reg2
w	1-bit data of the code that specifies reg3
d	1-bit displacement data
l	1-bit immediate data (indicates the higher bits of immediate data)
i	1-bit immediate data
cccc	4-bit data that shows the condition codes
CCCC	4-bit data that shows the condition codes of Bcond instruction
bbb	3-bit data for specifying the bit number
L	1-bit data that specifies a program register in the register list

(3) Register symbols used in operations

Register Symbol	Explanation
←	Input for
GR []	General-purpose register
SR []	System register
zero-extend (n)	Expand n with zeros until word length.
sign-extend (n)	Expand n with signs until word length.
load-memory (a, b)	Read size b data from address a.
store-memory (a, b, c)	Write data b into address a in size c.
load-memory-bit (a, b)	Read bit b of address a.
store-memory-bit (a, b, c)	Write c to bit b of address a.
saturated (n)	Execute saturated processing of n (n is a 2's complement). If, as a result of calculations, n ≥ 7FFFFFFFH, let it be 7FFFFFFFH. n ≤ 80000000H, let it be 80000000H.
result	Reflects the results in a flag.
Byte	Byte (8 bits)
Halfword	Half word (16 bits)
Word	Word (32 bits)
+	Addition
−	Subtraction
	Bit concatenation
×	Multiplication
÷	Division
%	Remainder from division results
AND	Logical product
OR	Logical sum
XOR	Exclusive OR
NOT	Logical negation
logically shift left by	Logical shift left
logically shift right by	Logical shift right
arithmetically shift right by	Arithmetic shift right

(4) Register symbols used in execution clock

Register Symbol	Explanation
i	If executing another instruction immediately after executing the first instruction (issue).
r	If repeating execution of the same instruction immediately after executing the first instruction (repeat).
l	If using the results of instruction execution in the instruction immediately after the execution (latency).

(5) Register symbols used in flag operations

Identifier	Explanation
(Blank)	No change
0	Clear to 0
X	Set or cleared in accordance with the results.
R	Previously saved values are restored.

(6) Condition codes

Condition Code (cccc)	Condition Formula	Explanation
0 0 0 0	$OV = 1$	Overflow
1 0 0 0	$OV = 0$	No overflow
0 0 0 1	$CY = 1$	Carry Lower (Less than)
1 0 0 1	$CY = 0$	No carry Not lower (Greater than or equal)
0 0 1 0	$Z = 1$	Zero
1 0 1 0	$Z = 0$	Not zero
0 0 1 1	$(CY \text{ or } Z) = 1$	Not higher (Less than or equal)
1 0 1 1	$(CY \text{ or } Z) = 0$	Higher (Greater than)
0 1 0 0	$S = 1$	Negative
1 1 0 0	$S = 0$	Positive
0 1 0 1	–	Always (Unconditional)
1 1 0 1	$SAT = 1$	Saturated
0 1 1 0	$(S \text{ xor } OV) = 1$	Less than signed
1 1 1 0	$(S \text{ xor } OV) = 0$	Greater than or equal signed
0 1 1 1	$((S \text{ xor } OV) \text{ or } Z) = 1$	Less than or equal signed
1 1 1 1	$((S \text{ xor } OV) \text{ or } Z) = 0$	Greater than signed

C.2 Instruction Set (in Alphabetical Order)

(1/6)

Mnemonic	Operand	Opcode	Operation	Execution Clock			Flags					
				i	r	l	CY	OV	S	Z	SAT	
ADD	reg1,reg2	rrrrr001110RRRRR	GR[reg2]←GR[reg2]+GR[reg1]	1	1	1	×	×	×	×		
	imm5,reg2	rrrrr010010iiii	GR[reg2]←GR[reg2]+sign-extend(imm5)	1	1	1	×	×	×	×		
ADDI	imm16,reg1,reg2	rrrrr110000RRRRR iiiiiiiiiiiiiiii	GR[reg2]←GR[reg1]+sign-extend(imm16)	1	1	1	×	×	×	×		
AND	reg1,reg2	rrrrr001010RRRRR	GR[reg2]←GR[reg2]AND GR[reg1]	1	1	1		0	×	×		
ANDI	imm16,reg1,reg2	rrrrr110110RRRRR iiiiiiiiiiiiiiii	GR[reg2]←GR[reg1]AND zero-extend(imm16)	1	1	1		0	×	×		
Bcond	disp9	dddd1011dddcccc Note 1	if conditions are satisfied then PC←PC+sign-extend(disp9)	When conditions are satisfied	2	2	2					
				When conditions are not satisfied	1	1	1					
BSH	reg2,reg3	rrrrr1111100000 wwwww01101000010	GR[reg3]←GR[reg2] (23 : 16) GR[reg2] (31 : 24) GR[reg2] (7 : 0) GR[reg2] (15 : 8)	1	1	1	×	0	×	×		
BSW	reg2,reg3	rrrrr1111100000 wwwww01101000000	GR[reg3]←GR[reg2] (7 : 0) GR[reg2] (15 : 8) GR [reg2] (23 : 16) GR[reg2] (31 : 24)	1	1	1	×	0	×	×		
CALLT	imm6	0000001000iiii	CTPC←PC+2(return PC) CTPSW←PSW adr←CTBP+zero-extend(imm6 logically shift left by 1) PC←CTBP+zero-extend(Load-memory(adr,Halfword))	4	4	4						
CLR1	bit#3,disp16[reg1]	10bbb11110RRRRR dddddddddddd	adr←GR[reg1]+sign-extend(disp16) Z flag←Not(Load-memory-bit(adr,bit#3)) Store-memory-bit(adr,bit#3,0)	3	3	3				×		
	reg2,[reg1]	rrrrr11111RRRRR 0000000011100100	adr←GR[reg1] Z flag←Not(Load-memory-bit(adr,reg2)) Store-memory-bit(adr,reg2,0)	3	3	3				×		
CMOV	cccc,imm5,reg2,reg3	rrrrr11111iiii wwwww01100cccc0	if conditions are satisfied then GR[reg3]←sign-extended(imm5) else GR[reg3]←GR[reg2]	1	1	1						
	cccc,reg1,reg2,reg3	rrrrr11111RRRR wwwww011001cccc0	if conditions are satisfied then GR[reg3]←GR[reg1] else GR[reg3]←GR[reg2]	1	1	1						
CMP	reg1,reg2	rrrrr001111RRRRR	result←GR[reg2]-GR[reg1]	1	1	1	×	×	×	×		
	imm5,reg2	rrrrr010011iiii	result←GR[reg2]-sign-extend(imm5)	1	1	1	×	×	×	×		
CTRET		000001111100000 0000000101000100	PC←CTPC PSW←CTPSW	3	3	3	R	R	R	R	R	
DBRET		000001111100000 0000000101000110	PC←DBPC PSW←DBPSW	3	3	3	R	R	R	R	R	

APPENDIX C INSTRUCTION SET LIST

(2/6)

Mnemonic	Operand	Opcode	Operation	Execution Clock			Flags					
				i	r	l	CY	OV	S	Z	SAT	
DBTRAP		1111100001000000	DBPC←PC+2 (restored PC) DBPSW←PSW PSW.NP←1 PSW.EP←1 PSW.ID←1 PC←00000060H	3	3	3						
DI		0000011111100000 0000000101100000	PSW.ID←1	1	1	1						
DISPOSE	imm5,list12	0000011001iiiiL LLLLLLLLLLLL00000	sp←sp+zero-extend(imm5 logically shift left by 2) GR[reg in list12]←Load-memory(sp,Word) sp←sp+4 repeat 2 steps above until all regs in list12 is loaded	n+1 Note 4	n+1 Note 4	n+1 Note 4						
	imm5,list12,[reg1]	0000011001iiiiL LLLLLLLLLLLLRRRRR Note 5	sp←sp+zero-extend(imm5 logically shift left by 2) GR[reg in list12]←Load-memory(sp,Word) sp←sp+4 repeat 2 steps above until all regs in list12 is loaded PC←GR[reg1]	n+3 Note 4	n+3 Note 4	n+3 Note 4						
DIV	reg1,reg2,reg3	rrrrr11111RRRRR wwwww01011000000	GR[reg2]←GR[reg2]÷GR[reg1] GR[reg3]←GR[reg2]%GR[reg1]	35	35	35		×	×	×		
DIVH	reg1,reg2	rrrrr000010RRRRR	GR[reg2]←GR[reg2]÷GR[reg1] ^{Note 6}	35	35	35		×	×	×		
	reg1,reg2,reg3	rrrrr11111RRRRR wwwww01010000000	GR[reg2]←GR[reg2]÷GR[reg1] ^{Note 6} GR[reg3]←GR[reg2]%GR[reg1]	35	35	35		×	×	×		
DIVHU	reg1,reg2,reg3	rrrrr11111RRRRR wwwww01010000010	GR[reg2]←GR[reg2]÷GR[reg1] ^{Note 6} GR[reg3]←GR[reg2]%GR[reg1]	34	34	34		×	×	×		
DIVU	reg1,reg2,reg3	rrrrr11111RRRRR wwwww01011000010	GR[reg2]←GR[reg2]÷GR[reg1] GR[reg3]←GR[reg2]%GR[reg1]	34	34	34		×	×	×		
EI		1000011111100000 0000000101100000	PSW.ID←0	1	1	1						
HALT		0000011111100000 0000000100100000	Stop	1	1	1						
HSW	reg2,reg3	rrrrr11111100000 wwwww01101000100	GR[reg3]←GR[reg2](15 : 0) GR[reg2] (31 : 16)	1	1	1	×	0	×	×		
JARL	disp22,reg2	rrrrr11110dddddd ddddddddddddddd0 Note 7	GR[reg2]←PC+4 PC←PC+sign-extend(disp22)	2	2	2						
JMP	[reg1]	0000000011RRRRR	PC←GR[reg1]	3	3	3						
JR	disp22	0000011110dddddd ddddddddddddddd0 Note 7	PC←PC+sign-extend(disp22)	2	2	2						
LD.B	disp16[reg1],reg2	rrrrr111000RRRRR ddddddddddddddd	adr←GR[reg1]+sign-extend(disp16) GR[reg2]←sign-extend(Load-memory(adr,Byte))	1	1	Note 11						
LD.BU	disp16[reg1],reg2	rrrrr11110bRRRRR ddddddddddddddd1 Notes 8, 10	adr←GR[reg1]+sign-extend(disp16) GR[reg2]←zero-extend(Load-memory(adr,Byte))	1	1	Note 11						

APPENDIX C INSTRUCTION SET LIST

(3/6)

Mnemonic	Operand	Opcode	Operation	Execution Clock			Flags					
				i	r	l	CY	OV	S	Z	SAT	
LD.H	disp16[reg1],reg2	rrrrr111001RRRRR dddddddddddddd0	adr←GR[reg1]+sign-extend(displ6) GR[reg2]←sign-extend(Load-memory(adr,Halfword))	1	1	Note 11						
LDSR	reg2,regID	rrrrr111111RRRRR 0000000000100000	SR[regID]←GR[reg2]	1	1	1						
			Other than regID = PSW regID = PSW	1	1	1	×	×	×	×	×	
LD.HU	disp16[reg1],reg2	rrrrr111111RRRRR dddddddddddddd1	adr←GR[reg1]+sign-extend(displ6) GR[reg2]←zero-extend(Load-memory(adr,Halfword))	1	1	Note 11						
LD.W	disp16[reg1],reg2	rrrrr111001RRRRR dddddddddddddd1	adr←GR[reg1]+sign-extend(displ6) GR[reg2]←Load-memory(adr,Word)	1	1	Note 11						
MOV	reg1,reg2	rrrrr00000RRRRR	GR[reg2]←GR[reg1]	1	1	1						
	imm5,reg2	rrrrr010000iiii	GR[reg2]←sign-extend(imm5)	1	1	1						
	imm32,reg1	00000110001RRRRR iiiiiiiiiiiiiiii iiiiiiiiiiiiiiii	GR[reg1]←imm32	2	2	2						
MOVEA	imm16,reg1,reg2	rrrrr110001RRRRR iiiiiiiiiiiiiiii	GR[reg2]←GR[reg1]+sign-extend(imm16)	1	1	1						
MOVHI	imm16,reg1,reg2	rrrrr110010RRRRR iiiiiiiiiiiiiiii	GR[reg2]←GR[reg1]+(imm16 ll 0 ¹⁶)	1	1	1						
MUL	reg1,reg2,reg3	rrrrr111111RRRRR wwwww01000100000	GR[reg3] ll GR[reg2]←GR[reg2]xGR[reg1] Note 14	1	4	5						
	imm9,reg2,reg3	rrrrr111111iiii wwwww01001111100	GR[reg3] ll GR[reg2]←GR[reg2]xsign-extend(imm9) Note 13	1	4	5						
MULH	reg1,reg2	rrrrr000111RRRRR	GR[reg2]←GR[reg2] ^{Note 6} xGR[reg1] ^{Note 6}	1	1	2						
	imm5,reg2	rrrrr010111iiii	GR[reg2]←GR[reg2] ^{Note 6} xsign-extend(imm5)	1	1	2						
MULHI	imm16,reg1,reg2	rrrrr110111RRRRR iiiiiiiiiiiiiiii	GR[reg2]←GR[reg1] ^{Note 6} ximm16	1	1	2						
MULU	reg1,reg2,reg3	rrrrr111111RRRRR wwwww01000100010	GR[reg3] ll GR[reg2]←GR[reg2]xGR[reg1] Note 14	1	4	5						
	imm9,reg2,reg3	rrrrr111111iiii wwwww01001111110	GR[reg3] ll GR[reg2]←GR[reg2]xzero-extend(imm9) Note 13	1	4	5						
NOP		0000000000000000	Pass at least one clock cycle doing nothing.	1	1	1						
NOT	reg1,reg2	rrrrr000001RRRRR	GR[reg2]←NOT(GR[reg1])	1	1	1	0	×	×			
NOT1	bit#3,disp16[reg1]	01bbb111110RRRRR dddddddddddddd	adr←GR[reg1]+sign-extend(displ6) Z flag←Not(Load-memory-bit(adr,bit#3)) Store-memory-bit(adr,bit#3,Z flag)	Note 3	Note 3	Note 3				×		
	reg2,[reg1]	rrrrr111111RRRRR 0000000011100010	adr←GR[reg1] Z flag←Not(Load-memory-bit(adr,reg2)) Store-memory-bit(adr,reg2,Z flag)	Note 3	Note 3	Note 3				×		

APPENDIX C INSTRUCTION SET LIST

(4/6)

Mnemonic	Operand	Opcode	Operation	Execution Clock			Flags				
				i	r	l	CY	OV	S	Z	SAT
OR	reg1,reg2	rrrrr001000RRRRR	GR[reg2]←GR[reg2]OR GR[reg1]	1	1	1		0	×	×	
ORI	imm16,reg1,reg2	rrrrr110100RRRRR iiiiiiiiiiiiiiii	GR[reg2]←GR[reg1]OR zero-extend(imm16)	1	1	1		0	×	×	
PREPARE	list12,imm5	0000011110iiiiL LLLLLLLLLLLL00001	Store-memory(sp-4,GR[reg in list12],Word) sp←sp-4 repeat 1 step above until all regs in list12 is stored sp←sp-zero-extend(imm5)	n+1 Note 4	n+1 Note 4	n+1 Note 4					
	list12,imm5, sp/imm ^{Note 15}	0000011110iiiiL LLLLLLLLLLLLff011 imm16/imm32 Note 16	Store-memory(sp-4,GR[reg in list12],Word) sp←sp+4 repeat 1 step above until all regs in list12 is stored sp←sp-zero-extend (imm5) ep←sp/imm	n+2 Note 4 Note 17	n+2 Note 4 Note 17	n+2 Note 4 Note 17					
RETI		000001111100000 0000000101000000	if PSW.EP=1 then PC ←EIPC PSW ←EIPSW else if PSW.NP=1 then PC ←FEPC PSW ←FEPSW else PC ←EIPC PSW ←EIPSW	3	3	3	R	R	R	R	R
SAR	reg1,reg2	rrrrr111111RRRRR 0000000010100000	GR[reg2]←GR[reg2]arithmetically shift right by GR[reg1]	1	1	1	×	0	×	×	
	imm5,reg2	rrrrr010101iiii	GR[reg2]←GR[reg2]arithmetically shift right by zero-extend (imm5)	1	1	1	×	0	×	×	
SASF	cccc,reg2	rrrrr1111110cccc 0000001000000000	if conditions are satisfied then GR[reg2]←(GR[reg2]Logically shift left by 1) OR 00000001H else GR[reg2]←(GR[reg2]Logically shift left by 1) OR 00000000H	1	1	1					
SATADD	reg1,reg2	rrrrr000110RRRRR	GR[reg2]←saturated(GR[reg2]+GR[reg1])	1	1	1	×	×	×	×	×
	imm5,reg2	rrrrr010001iiii	GR[reg2]←saturated(GR[reg2]+sign-extend(imm5))	1	1	1	×	×	×	×	×
SATSUB	reg1,reg2	rrrrr000101RRRRR	GR[reg2]←saturated(GR[reg2]-GR[reg1])	1	1	1	×	×	×	×	×
SATSUBI	imm16,reg1,reg2	rrrrr110011RRRRR iiiiiiiiiiiiiiii	GR[reg2]←saturated(GR[reg1]-sign-extend(imm16))	1	1	1	×	×	×	×	×
SATSUBR	reg1,reg2	rrrrr000100RRRRR	GR[reg2]←saturated(GR[reg1]-GR[reg2])	1	1	1	×	×	×	×	×
SETF	cccc,reg2	rrrrr1111110cccc 0000000000000000	If conditions are satisfied then GR[reg2]←00000001H else GR[reg2]←00000000H	1	1	1					

APPENDIX C INSTRUCTION SET LIST

(5/6)

Mnemonic	Operand	Opcode	Operation	Execution Clock			Flags					
				i	r	l	CY	OV	S	Z	SAT	
SET1	bit#3,disp16[reg1]	00bbb111110RRRRR dddddddddddddd	adr←GR[reg1]+sign-extend(disp16) Z flag←Not (Load-memory-bit(adr,bit#3)) Store-memory-bit(adr,bit#3,1)	3 Note 3	3 Note 3	3 Note 3					×	
	reg2,[reg1]	rrrrr11111RRRRR 0000000011100000	adr←GR[reg1] Z flag←Not(Load-memory-bit(adr,reg2)) Store-memory-bit(adr,reg2,1)	3 Note 3	3 Note 3	3 Note 3					×	
SHL	reg1,reg2	rrrrr11111RRRRR 0000000011000000	GR[reg2]←GR[reg2] logically shift left by GR[reg1]	1	1	1	×	0	×	×		
	imm5,reg2	rrrrr010110iiii	GR[reg2]←GR[reg2] logically shift left by zero-extend(imm5)	1	1	1	×	0	×	×		
SHR	reg1,reg2	rrrrr11111RRRRR 0000000010000000	GR[reg2]←GR[reg2] logically shift right by GR[reg1]	1	1	1	×	0	×	×		
	imm5,reg2	rrrrr010100iiii	GR[reg2]←GR[reg2] logically shift right by zero-extend(imm5)	1	1	1	×	0	×	×		
SLD.B	disp7[ep],reg2	rrrrr0110dddddd	adr←ep+zero-extend(disp7) GR[reg2]←sign-extend(Load-memory(adr,Byte))	1	1	Note 9						
SLD.BU	disp4[ep],reg2	rrrrr0000110dddd Note 18	adr←ep+zero-extend(disp4) GR[reg2]←zero-extend(Load-memory(adr,Byte))	1	1	Note 9						
SLD.H	disp8[ep],reg2	rrrrr1000dddddd Note 19	adr←ep+zero-extend(disp8) GR[reg2]←sign-extend(Load-memory(adr,Halfword))	1	1	Note 9						
SLD.HU	disp5[ep],reg2	rrrrr00001111dddd Notes 18, 20	adr←ep+zero-extend(disp5) GR[reg2]←zero-extend(Load-memory(adr,Halfword))	1	1	Note 9						
SLD.W	disp8[ep],reg2	rrrrr1010dddddd0 Note 21	adr←ep+zero-extend(disp8) GR[reg2]←Load-memory(adr,Word)	1	1	Note 9						
SST.B	reg2,disp7[ep]	rrrrr01111dddddd	adr←ep+zero-extend(disp7) Store-memory(adr,GR[reg2],Byte)	1	1	1						
SST.H	reg2,disp8[ep]	rrrrr1001dddddd Note 19	adr←ep+zero-extend(disp8) Store-memory(adr,GR[reg2],Halfword)	1	1	1						
SST.W	reg2,disp8[ep]	rrrrr1010dddddd1 Note 21	adr←ep+zero-extend(disp8) Store-memory(adr,GR[reg2],Word)	1	1	1						
ST.B	reg2,disp16[reg1]	rrrrr111010RRRRR dddddddddddddd	adr←GR[reg1]+sign-extend(disp16) Store-memory(adr,GR[reg2],Byte)	1	1	1						
ST.H	reg2,disp16[reg1]	rrrrr111011RRRRR dddddddddddddd0 Note 8	adr←GR[reg1]+sign-extend(disp16) Store-memory (adr,GR[reg2], Halfword)	1	1	1						
ST.W	reg2,disp16[reg1]	rrrrr111011RRRRR dddddddddddddd1 Note 8	adr←GR[reg1]+sign-extend(disp16) Store-memory (adr,GR[reg2], Word)	1	1	1						
STSR	regID,reg2	rrrrr11111RRRRR 0000000010000000	GR[reg2]←SR[regID]	1	1	1						

Notes 12. In this instruction, for convenience of mnemonic description, the source register is made reg2, but the reg1 field is used in the opcode. Therefore, the meaning of register specification in the mnemonic description and in the opcode differs from other instructions.

rrrrr = regID specification

RRRRR = reg2 specification

13. iiiii: Lower 5 bits of imm9.

IIII: Higher 4 bits of imm9.

14. Do not specify the same register for general-purpose registers reg1 and reg3.

15. sp/imm: specified by bits 19 and 20 of the sub-opcode.

16. ff = 00: Load sp in ep.

01: Load sign expanded 16-bit immediate data (bits 47 to 32) in ep.

10: Load 16-bit logically left shifted 16-bit immediate data (bits 47 to 32) in ep.

11: Load 32-bit immediate data (bits 63 to 32) in ep.

17. If imm = imm32, n + 3 clocks.

18. rrrrr: Other than 00000.

19. ddddddd: Higher 7 bits of disp8.

20. dddd: Higher 4 bits of disp5.

21. ddddddd: Higher 6 bits of disp8.

APPENDIX D LIST OF CAUTIONS

This appendix lists cautions described in this document.

“Classification (hard/soft)” in table is as follows.

Hard: Cautions for microcontroller internal/external hardware

Soft: Cautions for software such as register settings or programs

(1/34)

Chapter	Classification	Function	Details of Function	Cautions	Page
Chapter 1	Hard	Introduction	FLMD0	Connect this pin to V _{ss} in the normal mode.	p. 22 <input type="checkbox"/>
			REGC	Connect the REGC pin to V _{ss} via a 4.7 μF (recommended value) capacitor.	p. 22 <input type="checkbox"/>
Chapter 2	Soft	Pin functions	NMI	The NMI pin alternately functions as the P02 pin. It functions as the P02 pin after reset. To enable the NMI pin, set the PMC0.PMC02 bit to 1. The initial setting of the NMI pin is “No edge detected”. Select the NMI pin valid edge using INTF0 and INTR0 registers.	p. 31 <input type="checkbox"/>
			FLMD0	If noise that exceeds the noise elimination width is input to the $\overline{\text{RESET}}$ pin during self programming, the flash on-board mode may be entered depending on the capacitance charge end timing when a capacitor is connected to the FLMD0 pin. Therefore, do not connect a capacitor to the FLMD0 pin.	p. 47 <input type="checkbox"/>
	Hard	When power is turned on	Note that the following pin may temporarily output an undefined level, even during reset upon power application. • P53/KR3/TIQ00/TOQ00/DDO pin	p. 49 <input type="checkbox"/>	
Chapter 3	Soft	CPU functions	EIPC register, EIPSW register, FEPC register, FEPSW register	Because only one set of these registers is available, the contents of these registers must be saved by program if multiple interrupts are enabled.	p. 53 <input type="checkbox"/>
			EIPC, FEPC	Even if EIPC or FEPC, or bit 0 of CTPC is set to 1 by the LDSR instruction, bit 0 is ignored when execution is returned to the main routine by the RETI instruction after interrupt servicing (this is because bit 0 of the PC is fixed to 0). Set an even value to EIPC, FEPC, and CTPC (bit 0 = 0).	p. 53 <input type="checkbox"/>
			Program space	Because the 4 KB area of addresses 03FFF000H to 03FFFFFFFH is an on-chip peripheral I/O area, instructions cannot be fetched from this area. Therefore, do not execute an operation in which the result of a branch address calculation affects this area.	p. 61 <input type="checkbox"/>
			On-chip peripheral I/O area	When a register is accessed in word units, a word area is accessed twice in halfword units in the order of lower area and higher area, with the lower 2 bits of the address ignored.	p. 67 <input type="checkbox"/>
				If a register that can be accessed in byte units is accessed in halfword units, the higher 8 bits are undefined when the register is read, and data is written to the lower 8 bits.	p. 67 <input type="checkbox"/>
				Addresses not defined as registers are reserved for future expansion. The operation is undefined and not guaranteed when these addresses are accessed.	p. 67 <input type="checkbox"/>
			Internal RAM area	If a branch instruction is at the upper limit of the internal RAM area, a prefetch operation (invalid fetch) straddling the on-chip peripheral I/O area does not occur.	p. 68 <input type="checkbox"/>
Setting data to special registers	Five NOP instructions or more must be inserted immediately after setting the IDLE1 mode, IDLE2 mode, STOP mode, or sub IDLE (by setting the PSC.STP bit to 1).	p. 83 <input type="checkbox"/>			

Chapter	Classification	Function	Details of Function	Cautions	Page
Chapter 3	Soft	CPU functions	Setting data to special registers	When a store instruction is executed to store data in the command register, interrupts are not acknowledged. This is because it is assumed that steps <3> and <4> above are performed by successive store instructions. If another instruction is placed between <3> and <4>, and if an interrupt is acknowledged by that instruction, the above sequence may not be established, causing malfunction.	p. 83 <input type="checkbox"/>
				Although dummy data is written to the PRCMD register, use the same general-purpose register used to set the special register (<4> in Example) to write data to the PRCMD register (<3> in Example). The same applies when a general-purpose register is used for addressing.	p. 83 <input type="checkbox"/>
			SYS register	If 0 is written to the PRERR bit of the SYS register, which is not a special register, immediately after a write access to the PRCMD register, the PRERR bit is cleared to 0 (the write access takes precedence).	p. 85 <input type="checkbox"/>
				If data is written to the PRCMD register, which is not a special register, immediately after a write access to the PRCMD register, the PRERR bit is set to 1.	p. 85 <input type="checkbox"/>
			Registers to be set first	Be sure to set the following registers first when using the V850ES/HJ2. <ul style="list-style-type: none"> • System wait control register (VSWC) • On-chip debug mode register (OCDM) • Watchdog timer mode register 2 (WDTM2) 	p. 86 <input type="checkbox"/>
			VSWC register	Three clocks are required to access an on-chip peripheral I/O register (without a wait cycle). The V850ES/HJ2 requires wait cycles according to the operating frequency. Set the following value to the VSWC register in accordance with the frequency used.	p. 86 <input type="checkbox"/>
			Accessing specific on-chip peripheral I/O registers	Accessing the above registers is prohibited in the following statuses. If a wait cycle is generated, it can only be cleared by a reset. <ul style="list-style-type: none"> • When the CPU operates with the subclock and the main clock oscillation is stopped • When the CPU operates with the internal oscillation clock 	p. 87 <input type="checkbox"/>
Chapter 4	Hard	Port functions	Port functions	Although a 1-bit memory manipulation instruction manipulates 1 bit, it accesses a port in 8-bit units. If a port has a mixture of input and output pins, therefore, the contents of the output latch of a pin set in the input mode become undefined, even if the pin is not subject to manipulation.	p. 91 <input type="checkbox"/>
	Soft		Port 0	The NMI pin alternately functions as the P02 pin. It functions as the P02 pin after reset. To enable the NMI pin, set the PMC0.PMC02 bit to 1. The initial setting of the NMI pin is "No edge detected". Select the NMI pin valid edge using INTF0 and INTR0 registers.	p. 93 <input type="checkbox"/>
	Hard, soft			The alternate function of the P05 pin is the on-chip debug function. After external reset, the P05/INTP2/DRST pin is initialized as the on-chip debug pin (DRST). To use the P05 pin as a port pin, not as an on-chip debug pin, the following actions must be taken. <p><1> Clear the OCDM0 bit of the OCDM register (special register) to 0.</p> <p><2> Fix the P05/INTP2/DRST pin to the low level until the above action has been taken.</p> <p>When the on-chip debug function is not used, inputting a high level to the DRST pin before the above actions are taken may cause a malfunction (CPU deadlock). Exercise utmost care in handling the P05 pin.</p> <p>When a high level is not input to the P05/INTP2/DRST pin (when this pin is fixed to low level), it is not necessary to manipulate the OCDM0 bit of the OCDM register.</p> <p>Because a pull-down resistor (30 kΩ TYP.) is connected to the buffer of the P05/INTP2/DRST pin, the pin does not have to be fixed to the low level by an external source. The pull-down resistor is disconnected by clearing the OCDM0 bit to 0.</p>	p. 93 <input type="checkbox"/>

Chapter	Classification	Function	Details of Function	Cautions	Page
Chapter 4	Hard	Port functions	Port 0	The P00 to P06 pins have hysteresis characteristics in the input mode of the alternate function, but do not have hysteresis characteristics in the port mode.	p. 94 <input type="checkbox"/>
			PMC0 register	The P05/INTP2/DRST pin functions as the DRST pin when the OCDM.OCDM0 bit is 1, regardless of the value of the PMC05 bit.	p. 95 <input type="checkbox"/>
	Hard		Port 1	The P10 and P11 pins have hysteresis characteristics in the input mode of the alternate function, but do not have hysteresis characteristics in the port mode.	p. 97 <input type="checkbox"/>
			Port 3	The P31 to P35, and P39 pins have hysteresis characteristics in the input mode of the alternate function, but do not have hysteresis characteristics in the port mode.	p. 100 <input type="checkbox"/>
	Soft		P3 register	To read or write bits 8 to 15 of the P3 register in 8-bit or 1-bit units, specify these bits as bits 0 to 7 of the P3H register.	p. 101 <input type="checkbox"/>
			PM3 register	To read or write bits 8 to 15 of the PM3 register in 8-bit or 1-bit units, specify these bits as bits 0 to 7 of the PM3H register.	p. 101 <input type="checkbox"/>
			PMC3 register	To read or write bits 8 to 15 of the PMC3 register in 8-bit or 1-bit units, specify these bits as bits 0 to 7 of the PMC3H register.	p. 102 <input type="checkbox"/>
				The INTP8 pin functions alternately as the RXDA2 pin. To use as the RXDA2 pin, invalidate the edge detection function of the alternate-function INTP8 pin (by fixing the INTF3.INTF39 bit to 0 and the INTR3.INTR39 bit to 0). To use as the INTP8 pin, stop the reception operation of UARTA2 (by clearing the UA2CTL0.UA2RXE bit to 0).	p. 102 <input type="checkbox"/>
				The INTP7 pin functions alternately as the RXDA0 pin. To use as the RXDA0 pin, invalidate the edge detection function of the alternate-function INTP7 pin (by fixing the INTF3.INTF31 and INTR3.INTR31 bits to 0). To use as the INTP7 pin, stop the reception operation of UARTA0 (by clearing the UA0CTL0.UA0RXE bit to 0).	p. 103 <input type="checkbox"/>
			PU3 register	To read/write bits 8 to 15 of the PU3 register in 8-bit or 1-bit units, specify these bits as bits 0 to 7 of the PU3H register.	p. 105 <input type="checkbox"/>
	Hard		Port 4	The P40 and P42 pins have hysteresis characteristics in the input mode of the alternate function, but do not have hysteresis characteristics in the port mode.	p. 106 <input type="checkbox"/>
			Hard, soft	Port 5	The DDI, DDO, DCK, and DMS pins are for the on-chip debug function. To use the DDI, DDO, DCK, and DMS pins as port pins, not as on-chip debug pins, after an external reset, the following actions must be taken. <1> Clear the OCDM0 bit of the OCDM register (special register) to 0. <2> Fix the P05/INTP2/DRST pin to the low level until the above action has been taken. When the on-chip debug function is not used, inputting a high level to the DRST pin before the above actions are taken may cause a malfunction (CPU deadlock). Exercise utmost care in handling the P05 pin. When a high level is not input to the P05/INTP2/DRST pin (when this pin is fixed to low level), it is not necessary to manipulate the OCDM.OCDM0 bit. Because a pull-down resistor (30 kΩ TYP.) is connected to the buffer of the P05/INTP2/DRST pin, the pin does not have to be fixed to the low level by an external source. The pull-down resistor is disconnected by clearing the OCDM0 bit to 0.
	The P50 to P55 pins have hysteresis characteristics in the input mode of the alternate function, but do not have hysteresis characteristics in the port mode.				p. 109 <input type="checkbox"/>
	Soft			If the control mode is specified by using the PMC5 register when the PFC5.PFC5n and PFCE5.PFCE5n bits are the default values (0), the output becomes undefined. For this reason, first set the PFC5.PFC5n and PFCE5.PFCE5n bits, and then set the PMC5n bit to 1 to set the control mode.	pp. 111, 112 <input type="checkbox"/>

Chapter	Classification	Function	Details of Function	Cautions	Page	
Chapter 4	Soft	Port functions	Specification of Port 5 alternate function	The KRn pin functions alternately as the TIQ0m pin. To use this pin as the TIQ0m pin, invalidate the key return detection function of the alternate-function KRn pin (by clearing the KRM.KRMn bit to 0). To use this pin as the KRn pin, invalidate the edge detection function of the alternate-function TIQ0m pin (n = 0 to 3, m = 0 to 3).	p. 113 <input type="checkbox"/>	
	Hard		Port 6	The P60 to P62, and P610 to P613 pins have hysteresis characteristics in the input mode of the alternate function, but do not have hysteresis characteristics in the port mode.	p. 115 <input type="checkbox"/>	
	Soft				If the control mode is specified by using the PMC6 register when the PFC6.PFC6n bit is the default value (0), the output becomes undefined (n = 0 to 8). For this reason, first set the PFC6.PFC6n bit to 1, and then set the PMC6n bit to 1 to set the control mode.	pp. 117, 119 <input type="checkbox"/>
			P6 register	To read or write bits 8 to 15 of the P6 register in 8-bit or 1-bit units, specify these bits as bits 0 to 7 of the P6H register.	p. 116 <input type="checkbox"/>	
			PM6 register	To read or write bits 8 to 15 of the PM6 register in 8-bit or 1-bit units, specify these bits as bits 0 to 7 of the PM6H register.	p. 116 <input type="checkbox"/>	
			PMC6 register	To read or write bits 8 to 15 of the PMC6 register in 8-bit or 1-bit units, specify these bits as bits 0 to 7 of the PMC6H register.	p. 117 <input type="checkbox"/>	
			PFC6 register	To read or write bits 8 to 15 of the PFC6 register in 8-bit or 1-bit units, specify these bits as bits 0 to 7 of the PFC6H register.	p. 119 <input type="checkbox"/>	
			PU6 register	To read/write bits 8 to 15 of the PU6 register in 8-bit or 1-bit units, specify these bits as bits 0 to 7 of the PU6H register.	p. 121 <input type="checkbox"/>	
			P7H register, P7L register	Do not read the P7H and P7L registers during A/D conversion.	p. 123 <input type="checkbox"/>	
			PM7H register, PM7L register	To use the alternate function of P7n (ANIn), set PM7n to 1.	p. 123 <input type="checkbox"/>	
	Hard		Port 8	The P80 pin has hysteresis characteristics in the input mode of the alternate function, but does not have hysteresis characteristics in the port mode.	p. 124 <input type="checkbox"/>	
	Soft		PMC8 register	The μ PD70F3709 and 70F3710 do not have RXDA3. The INTp14 pin of the μ PD70F3711 and 70F3712 functions alternately as the RXDA3 pin. To use this pin as the RXDA3 pin, invalidate the edge detection function of the alternate-function INTp14 pin (by clearing the INTF8.INTF80 bit to 0 and the INTR8.INTR80 bit to 0). To use this pin as the INTp14 pin, stop the reception operation of UARTA3 (by clearing the UA3CTL0.UA3RXE bit to 0).	p. 126 <input type="checkbox"/>	
	Hard		Port 9	The P90 to P97, P99, P910, and P912 to P915 pins have hysteresis characteristics in the input mode of the alternate function, but do not have hysteresis characteristics in the port mode.	p. 127 <input type="checkbox"/>	
	Soft				If the control mode is specified by using the PMC9 register when the PFC9.PFC9n bit and the PFCE9.PFCE9n bit are the default values (0), the output becomes undefined. For this reason, first set the PFC9.PFC9n bit and the PFCE9.PFCE9n bit to 1, and then set the PMC9n bit to 1 to set the control mode.	pp. 129, 133 <input type="checkbox"/>
			P9 register	To read or write bits 8 to 15 of the P9 register in 8-bit or 1-bit units, specify these bits as bits 0 to 7 of the P9H register.	p. 128 <input type="checkbox"/>	
			PM9 register	To read or write bits 8 to 15 of the PM9 register in 8-bit or 1-bit units, specify these bits as bits 0 to 7 of the PM9H register.	p. 128 <input type="checkbox"/>	
			PMC9 register	To read or write bits 8 to 15 of the PMC9 register in 8-bit or 1-bit units, specify these bits as bits 0 to 7 of the PMC9H register.	p. 129 <input type="checkbox"/>	
			PFC9 register	To read or write bits 8 to 15 of the PFC9 register in 8-bit or 1-bit units, specify these bits as bits 0 to 7 of the PFC9H register.	p. 131 <input type="checkbox"/>	

Chapter	Classification	Function	Details of Function	Cautions	Page
Chapter 4	Soft	Port functions	PFCE9 register	To read or write bits 8 to 15 of the PFCE9 register in 8-bit or 1-bit units, specify these bits as bits 0 to 7 of the PFCE9H register.	p. 132 <input type="checkbox"/>
			Specification of port 9 alternate function	The KR7 pin and RXDA1 pin are alternate-function pins. When using the pin as the RXDA1 pin, disable KR7 pin key return detection. (Clear the KRM7 bit of the KRM register to 0.) Also, when using the pin as the KR7 pin, it is recommended to set the PFC91 bit to 1 and clear the PFCE91 bit to 0.	p. 135 <input type="checkbox"/>
			PU9 register	To read/write bits 8 to 15 of the PU9 register in 8-bit or 1-bit units, specify these bits as bits 0 to 7 of the PU9H register.	p. 136 <input type="checkbox"/>
			PM12 register	To use the alternate function of P12n (ANIn), set PM12n to 1.	p. 138 <input type="checkbox"/>
			Port DL	Because the FLMD1 pin is used in the flash programming mode, it does not have to be manipulated by using a port control register. For details, see CHAPTER 24 FLASH MEMORY.	p. 150 <input type="checkbox"/>
			PDL register	To read or write bits 8 to 15 of the PDL register in 8-bit or 1-bit units, specify these bits as bits 0 to 7 of the PDLH register.	p. 151 <input type="checkbox"/>
			PMDL register	To read or write bits 8 to 15 of the PMDL register in 8-bit or 1-bit units, specify these bits as bits 0 to 7 of the PMDLH register.	p. 151 <input type="checkbox"/>
			PMCDL register	To read or write bits 8 to 15 of the PMCDL register in 8-bit or 1-bit units, specify these bits as bits 0 to 7 of the PMCDLH register.	p. 152 <input type="checkbox"/>
			Using port pins as alternate-function pins	After an external reset, the P05/INTP2/DRST pin is initialized as an on-chip debug pin (DRST). To not use the P05/INTP2/DRST pin as an on-chip debug pin, see CHAPTER 26 ON-CHIP DEBUG FUNCTION.	p. 154 <input type="checkbox"/>
				The INTP7 pin functions alternately as the RXDA0 pin. To use this pin as the RXDA0 pin, invalidate the edge detection function of the alternate-function INTP7 pin (by clearing the INTF3.INTF31 bit to 0 and the INTR3.INTR31 bit to 0). To use this pin as the INTP7 pin, stop the reception operation of UARTA0 (by clearing the UA0CTL0.UA0RXE bit to 0).	p. 155 <input type="checkbox"/>
				The INTP8 pin functions alternately as the RXDA2 pin. To use this pin as the RXDA2 pin, invalidate the edge detection function of the alternate-function INTP8 pin (by clearing the INTF3.INTF39 bit to 0 and the INTR3.INTR39 bit to 0). To use this pin as the INTP8 pin, stop the reception operation of UARTA2 (by clearing the UA2CTL0.UA2RXE bit to 0).	p. 155 <input type="checkbox"/>
				The KR7 pin functions alternately as the TIQ0m pin. To use this pin as the TIQ0m pin, invalidate the key return detection function of the alternate-function KRn pin (by clearing the KRMn bit of the KRM register to 0). To use this pin as the KRn pin, invalidate the edge detection function of the alternate-function TIQ0m pin (n = 0 to 3, m = 0 to 3).	p. 156 <input type="checkbox"/>
				The DDI, DDO, DCK, and DMS pins are on-chip debug pins. To not use these pins as on-chip debug pins after an external reset, see CHAPTER 26 ON-CHIP DEBUG FUNCTION.	p. 156 <input type="checkbox"/>
				If the control mode is specified by using the PMC5 register when the PFC5.PFC5n bit and the PFCE5.PFCE5n bit are the default values (0), the output becomes undefined. For this reason, first set the PFC5.PFC5n bit and the PFCE5.PFCE5n bit, and then set the PMC5n bit to 1 to set the control mode.	p. 156 <input type="checkbox"/>
				Set PM7n to 1 to use the alternate function of P7n (ANIn).	p. 157 <input type="checkbox"/>
If the control mode is specified by using the PMC6 register when the PFC6.PFC6n bit (n = 0 to 8) is the default value (0), the output becomes undefined. For this reason, first set the PFC6.PFC6n bit and then set the PMC6n bit to 1 to set the control mode.	p. 157 <input type="checkbox"/>				

Chapter	Classification	Function	Details of Function	Caution	Page
Chapter 4	Soft	Port functions	Using port pins as alternate-function pins	The KR7 pin and RXDA1 pin are alternate-function pins. When using the pin as the RXDA1 pin, disable KR7 pin key return detection. (Clear the KRM.KRM7 bit to 0.) Also, when using the pin as the KR7 pin, it is recommended to set the PFC91 bit to 1 and clear the PFCE91 bit to 0.	p. 158 <input type="checkbox"/>
				The INTP14 pin functions alternately as the RXDA3 pin. To use this pin as the RXDA3 pin, invalidate the edge detection function of the alternate-function INTP14 pin (by clearing the INTF8.INTF80 bit to 0 and the INTR8.INTR80 bit to 0). To use this pin as the INTP14 pin, stop the reception operation of UARTA3 (by clearing the UA3CTL0.UA3RXE bit to 0).	p. 158 <input type="checkbox"/>
				If the control mode is specified by using the PMC9 register when the PFC9.PFC9n bit and the PFCE9.PFCE9n bit are the default values (0), the output becomes undefined. For this reason, first set the PFC9.PFC9n bit and the PFCE9.PFCE9n bit, and then set the PMC9n bit to 1 to set the control mode.	p. 158 <input type="checkbox"/>
				Set PM12n to 1 to use the alternate function of P12n (ANIn).	p. 159 <input type="checkbox"/>
				The FLMD1 pin does not have to be manipulated by using a port control register because it is used in the flash programming mode. For details, see CHAPTER 24 FLASH MEMORY.	p. 160 <input type="checkbox"/>
		Cautions on switching from port mode to alternate-function mode	To switch from the port mode to alternate-function mode in the following order. <1> Set the PFCn and PFCEn registers: Alternate-function selection <2> Set the corresponding bit of the PMCn register to 1: Switch to alternate-function mode If the PMCn register is set first, note with caution that, at that moment or depending on the change of the pin states in accordance with the setting of the PFCn, and PFCEn registers, unexpected operations may occur.	p. 190 <input type="checkbox"/>	
			Regardless of the port mode/alternate-function mode, the Pn register is read and written as follows. • Pn register read: Read the port output latch value (when PMn.PMnm bit = 0), or read the pin states (PMn.PMnm bit = 1). • Pn register write: Write to the port output latch	p. 190 <input type="checkbox"/>	
Cautions on alternate-function mode (input)	The input signal to the alternate-function block is low level when the PMCn.PMCnm bit is 0 due to the AND output of the PMCn register set value and the pin level. Thus, depending on the port setting and alternatefunction operation enable timing, unexpected operations may occur. Therefore, switch between the port mode and alternate-function mode in the following sequence. • To switch from port mode to alternate-function mode (input) Set the pins to the alternate-function mode using the PMCn register and then enable the alternatefunction operation. • To switch from alternate-function mode (input) to port mode Stop the alternate-function operation and then switch the pins to the port mode.	p. 190 <input type="checkbox"/>			
Chapter 5	Soft	Bus control functions	Pin status when internal ROM is accessed	When a write access is performed to the internal ROM area, address, data, and control signals are activated in the same way as access to the external memory area.	p. 192 <input type="checkbox"/>
			BSC register	Write to the BSC register after reset, and then do not change the set values. Also, do not access an external memory area until the initial settings of the BSC register are complete.	p. 194 <input type="checkbox"/>
				Be sure to set bits 14, 12, 10, and 8 to "1", and clear bits 15, 13, 11, 9, 7, 5, 3, and 1 to "0".	p. 194 <input type="checkbox"/>

Chapter	Classification	Function	Details of Function	Cautions	Page			
Chapter 5	Soft	Bus control functions	DWC0 register	The internal ROM and internal RAM areas are not subject to programmable wait, and are always accessed without a wait state. The on-chip peripheral I/O area is also not subject to programmable wait, and only wait control from each peripheral function is performed.	p. 202 <input type="checkbox"/>			
				Write to the DWC0 register after reset, and then do not change the set values. Also, do not access an external memory area until the initial settings of the DWC0 register are complete.	p. 202 <input type="checkbox"/>			
				Be sure to clear bits 15, 11, 7, and 3 to "0".	p. 202 <input type="checkbox"/>			
			AWC register	Address setup wait and address hold wait cycles are not inserted when the internal ROM area, internal RAM area, and on-chip peripheral I/O areas are accessed.	p. 204 <input type="checkbox"/>			
				Write to the AWC register after reset, and then do not change the set values. Also, do not access an external memory area until the initial settings of the AWC register are complete.	p. 204 <input type="checkbox"/>			
				Be sure to set bits 15 to 8 to "1".	p. 204 <input type="checkbox"/>			
			BCC register	The internal ROM, internal RAM, and on-chip peripheral I/O areas are not subject to idle state insertion.	p. 205 <input type="checkbox"/>			
				Write to the BCC register after reset, and then do not change the set values. Also, do not access an external memory area until the initial settings of the BCC register are complete.	p. 205 <input type="checkbox"/>			
				Be sure to set bits 15, 13, 11, and 9 to "1", and clear bits 14, 12, 10, 8, 6, 4, 2, and 0 to "0".	p. 205 <input type="checkbox"/>			
			Chapter 6	Soft	Clock generation function	Clock generator	The internal oscillation clock is selected when watchdog timer 2 overflows during the oscillation stabilization time.	p. 213 <input type="checkbox"/>
							PCC register	Do not change the CPU clock (by using the CK3 to CK0 bits) while CLKOUT is being output.
						Use a bit manipulation instruction to manipulate the CK3 bit. When using an 8-bit manipulation instruction, do not change the set values of the CK2 to CK0 bits.		p. 216 <input type="checkbox"/>
When stopping the main clock, stop the PLL. Also stop the operations of the on-chip peripheral functions operating with the main clock.	p. 217 <input type="checkbox"/>							
If the following conditions are not satisfied, change the CK2 to CK0 bits so that the conditions are satisfied, then change to the subclock operation mode. Internal system clock (f_{CLK}) > Subclock (f_{XT}) × 4	p. 217 <input type="checkbox"/>							
Enable operation of the on-chip peripheral functions operating with the main clock only after the oscillation of the main clock stabilizes. If their operations are enabled before the lapse of the oscillation stabilization time, a malfunction may occur.	p. 218 <input type="checkbox"/>							
RCM register	The settings of the RCM register are valid by setting the option byte. For details, see CHAPTER 25 OPTION BYTE FUNCTION.	p. 219 <input type="checkbox"/>						
	The internal oscillator cannot be stopped while the CPU is operating on the internal oscillation clock (CCLS.CCLSFSF bit = 1). Do not set the RSTOP bit to 1.	p. 219 <input type="checkbox"/>						
	The internal oscillator oscillates if the CCLS.CCLSFSF bit is set to 1 (when WDT overflow occurs during oscillation stabilization) even when the RSTOP bit is set to 1. At this time, the RSTOP bit remains being set to 1.	p. 219 <input type="checkbox"/>						
CCLS register	If WDT overflow occurs during oscillation stabilization after a reset is released, the CCLSFSF bit is set to 1 and the reset value is 01H.	p. 219 <input type="checkbox"/>						
PLLCTL register	When the PLLON bit is cleared to 0, the SELPLL bit is automatically cleared to 0 (clockthrough mode).	p. 221 <input type="checkbox"/>						
	The SELPLL bit can be set to 1 only when the PLL clock frequency is stabilized. If not (unlocked), "0" is written to the SELPLL bit if data is written to it.	p. 221 <input type="checkbox"/>						

Chapter	Chapter Classification	Function	Details of Function	Cautions	Page
Chapter 6	Soft	Clock generation function	LOCKR register	The LOCK register does not reflect the lock status of the PLL in real time.	p. 222 <input type="checkbox"/>
			PLLS register	Set so that the lockup time is 800 μ s or longer.	p. 223 <input type="checkbox"/>
				Do not change the PLLS register setting during the lockup period.	p. 223 <input type="checkbox"/>
			PCLMregister	Set the port-related control registers (PM, PMC, PFC, and PFCE registers, etc.) first, and then set the PCLE bit to 1.	p. 224 <input type="checkbox"/>
Set the PCLE bit to 1 only during PLL operation. To stop the PLL, clear the PCLE bit to 0.	p. 224 <input type="checkbox"/>				
Chapter 7	Soft	16-bit timer/event counter P (TMP)	TPnCTL0 register	Set the TPnCKS2 to TPnCKS0 bits when the TPnCE bit = 0.	p. 230 <input type="checkbox"/>
				When the value of the TPnCE bit is changed from 0 to 1, the TPnCKS2 to TPnCKS0 bits can be set simultaneously.	
			TPnCTL1 register	Be sure to clear bits 3 to 6 to "0".	p. 230 <input type="checkbox"/>
				The TPnEST bit is valid only in the external trigger pulse output mode or one-shot pulse output mode. In any other mode, writing 1 to this bit is ignored.	p. 231 <input type="checkbox"/>
				Be sure to clear bits 3 and 4 to "0".	p. 231 <input type="checkbox"/>
				External event count input is selected in the external event count mode regardless of the value of the TPnEEE bit.	p. 232 <input type="checkbox"/>
			TPnIOC0 register	Set the TPnEEE and TPnMD2 to TPnMD0 bits when the TPnCTL0.TPnCE bit = 0. (The same value can be written when the TPnCE bit = 1.) The operation is not guaranteed when rewriting is performed with the TPnCE bit = 1. If rewriting was mistakenly performed, clear the TPnCE bit to 0 and then set the bits again.	p. 232 <input type="checkbox"/>
				Rewrite the TPnOL1, TPnOE1, TPnOLO, and TPnOE0 bits when the TPnCTL0.TPnCE bit = 0. (The same value can be written when the TPnCE bit = 1.) If rewriting was mistakenly performed, clear the TPnCE bit to 0 and then set the bits again.	p. 233 <input type="checkbox"/>
			TPnIOC1 register	Even if the TPnOLm bit is manipulated when the TPnCE and TPnOEm bits are 0, the TOPnm pin output level varies.	p. 233 <input type="checkbox"/>
				Rewrite the TPnIS3 to TPnIS0 bits when the TPnCTL0.TPnCE bit = 0. (The same value can be written when the TPnCE bit = 1.) If rewriting was mistakenly performed, clear the TPnCE bit to 0 and then set the bits again.	p. 234 <input type="checkbox"/>
			TPnIOC2 register	The TPnIS3 to TPnIS0 bits are valid only in the freerunning timer mode and the pulse width measurement mode. In all other modes, a capture operation is not possible.	p. 234 <input type="checkbox"/>
				Rewrite the TPnEES1, TPnEES0, TPnETS1, and TPnETS0 bits when the TPnCTL0.TPnCE bit = 0. (The same value can be written when the TPnCE bit = 1.) If rewriting was mistakenly performed, clear the TPnCE bit to 0 and then set the bits again.	p. 235 <input type="checkbox"/>
				The TPnEES1 and TPnEES0 bits are valid only when the TPnCTL1.TPnEEE bit = 1 or when the external event count mode (TPnCTL1.TPnMD2 to TPnCTL1.TPnMD0 bits = 001) has been set.	p. 235 <input type="checkbox"/>
			TPnOPT0 register	The TPnETS1 and TPnETS0 bits are valid only when the external trigger pulse output mode (TPnCTL1.TPnMD2 to TPnCTL1.TPnMD0 bits = 010) or the one-shot pulse output mode (TPnCTL1.TPnMD2 to TPnCTL1.TPnMD0 = 011) is set.	p. 235 <input type="checkbox"/>
				Rewrite the TPnCCS1 and TPnCCS0 bits when the TPnCE bit = 0. (The same value can be written when the TPnCE bit = 1.) If rewriting was mistakenly performed, clear the TPnCE bit to 0 and then set the bits again.	p. 236 <input type="checkbox"/>
					Be sure to clear bits 1 to 3, 6, and 7 to "0".

Chapter	Classification	Function	Details of Function	Cautions	Page
Chapter 7	Soft	16-bit timer/event counter P (TMP)	TPnCCR0 register	Accessing the TPnCCR0 register is prohibited in the following statuses. For details, see 3.4.8 (2) Accessing specific on-chip peripheral I/O registers. <ul style="list-style-type: none"> When the CPU operates with the subclock and the main clock oscillation is stopped When the CPU operates with the internal oscillation clock 	p. 237 <input type="checkbox"/>
			TPnCCR1 register	Accessing the TPnCCR1 register is prohibited in the following statuses. For details, see 3.4.8 (2) Accessing specific on-chip peripheral I/O registers. <ul style="list-style-type: none"> When the CPU operates with the subclock and the main clock oscillation is stopped When the CPU operates with the internal oscillation clock 	p. 239 <input type="checkbox"/>
			TPnCNT register	Accessing the TPnCNT register is prohibited in the following statuses. For details, see 3.4.8 (2) Accessing specific on-chip peripheral I/O registers. <ul style="list-style-type: none"> When the CPU operates with the subclock and the main clock oscillation is stopped When the CPU operates with the internal oscillation clock 	p. 241 <input type="checkbox"/>
			TIPnmNFC register	Be sure to clear bits 3 to 5 and 7 to "0".	p. 242 <input type="checkbox"/>
				A signal input to the timer input pin (TIPnm) before the PnmNFC register is set is output with digital noise eliminated. Therefore, set the sampling clock (NFC2 to NFC0) and the number of times of sampling (NFSTS) by using the PnmNFC register, wait for initialization time = (Sampling clock) × (Number of times of sampling), and enable the timer operation.	p. 242 <input type="checkbox"/>
			Operation	To use the external event count mode, specify that the valid edge of the TIPn0 pin capture trigger input is not detected (by clearing the TPnIOC1.TPnIS1 and TPnIOC1.TPnIS0 bits to "00").	p. 243 <input type="checkbox"/>
				When using the external trigger pulse output mode, one-shot pulse output mode, and pulse width measurement mode, select the internal clock as the count clock (by clearing the TPnCTL1.TPnEEE bit to 0).	p. 243 <input type="checkbox"/>
			Interval timer mode (TPnMD2 to TPnMD0 bits = 000)	This bit can be set to 1 only when the interrupt request signals (INTTPnCC0 and INTTPnCC1) are masked by the interrupt mask flags (TPnCCMK0 and TPnCCMK1) and timer output (TOPn1) is performed at the same time. However, set the TPnCCR0 and TPnCCR1 registers to the same value (see 7.5.1 (2) (d) Operation of TPnCCR1 register).	p. 245 <input type="checkbox"/>
			Notes on rewriting TPnCCR0 register	To change the value of the TPnCCR0 register to a smaller value, stop counting once and then change the set value. If the value of the TPnCCR0 register is rewritten to a smaller value during counting, the 16-bit counter may overflow.	p. 250 <input type="checkbox"/>
			Register setting for operation in external event count mode	When an external clock is used as the count clock, the external clock can be input only from the TIPn0 pin. At this time, set the TPnIOC1.TPnIS1 and TPnIOC1.TPnIS0 bits to 00 (capture trigger input (TIPn0 pin): no edge detection).	p. 256 <input type="checkbox"/>
			External event count mode (TPnMD2 to TPnMD0 bits = 001)	In the external event count mode, do not set the TPnCCR0 register to 0000H.	p. 258 <input type="checkbox"/>
				In the external event count mode, use of the timer output is disabled. If performing timer output using external event count input, set the interval timer mode, and select the operation enabled by the external event count input for the count clock (TPnCTL1.TPnMD2 to TPnCTL1.TPnMD0 bits = 000, TPnCTL1.TPnEEE bit = 1).	p. 258 <input type="checkbox"/>
Notes on rewriting the TPnCCR0 register	To change the value of the TPnCCR0 register to a smaller value, stop counting once and then change the set value. If the value of the TPnCCR0 register is rewritten to a smaller value during counting, the 16-bit counter may overflow.	p. 259 <input type="checkbox"/>			

Chapter	Chapter Classification	Function	Details of Function	Cautions	Page
Chapter 7	Soft	16-bit timer/event counter P (TMP)	TPnIOC0, TPnOE0, TPnOLO bits	Clear this bit to 0 when the TOPn0 pin is not used in the external trigger pulse output mode.	p. 264 <input type="checkbox"/>
			Note on changing pulse width during operation	To change the PWM waveform while the counter is operating, write the TPnCCR1 register last. Rewrite the TPnCCRM register after writing the TPnCCR1 register after the INTTPnCC0 signal is detected.	p. 268 <input type="checkbox"/>
			TPnIOC0, TPnOE0, TPnOLO bits	Clear this bit to 0 when the TOPn0 pin is not used in the one-shot pulse output mode.	p. 276 <input type="checkbox"/>
			Register setting for operation in one-shot pulse output mode	One-shot pulses are not output even in the one-shot pulse output mode, if the value set in the TPnCCR1 register is greater than that set in the TPnCCR0 register.	p. 277 <input type="checkbox"/>
			Note on rewriting TPnCCRM register	To change the set value of the TPnCCRM register to a smaller value, stop counting once, and then change the set value. If the value of the TPnCCRM register is rewritten to a smaller value during counting, the 16-bit counter may overflow.	p. 279 <input type="checkbox"/>
			TPnIOC0, TPnOE0, TPnOLO bits	Clear this bit to 0 when the TOPn0 pin is not used in the PWM output mode.	p. 283 <input type="checkbox"/>
			Timer Tuned Operation Function	The tuned operation mode is enabled or disabled by the TPmCTL1.TPmSYE and TQnCTL1.TQnSYE bits. For TMP2, either or both TMP3 and TMQ0 can be specified as slaves.	p. 314 <input type="checkbox"/>
				Set the tuned operation mode using the following procedure. <1> Set the TPmCTL1.TPmSYE and TQnCTL1.TQnSYE bits of the slave timer to enable the tuned operation. Set the TPmCTL1.TPmMD2 to TPmCTL1.TPmMD0 and TQnCTL1.TPnMD2 to TQnCTL1.TPnMD0 bits of the slave timer to the free-running mode. <2> Set the timer mode by using the TPnCTL1.TPnMD2 to TPnCTL1.TPnMD0 and TQnCTL1.TPnMD2 to TQnCTL1.TPnMD0 bits. At this time, do not set the TPnCTL1.TPnSYE and TQnCTL1.TQnSYE bits of the master timer. <3> Set the compare register value of the master and slave timers. <4> Set the TPmCTL0.TPmCE and TQnCTL0.TQnCE bits of the slave timer to enable operation on the internal operating clock. <5> Set the TPnCTL0.TPnCE and TQnCTL0.TQnCE bits of the master timer to enable operation on the internal operating clock.	p. 314 <input type="checkbox"/>
			Selector function	When using the selector function, set the capture trigger input of TMP before connecting the timer.	p. 318 <input type="checkbox"/>
				When setting the selector function, first disable the peripheral I/O to be connected (TMP, TMM0, or UARTA).	p. 318 <input type="checkbox"/>
			SELCNT0 register	The μPD70F3709 and 70F3710 do not have the RXDA3 pin. Fix the ISEL06 bit of these products to 0.	p. 319 <input type="checkbox"/>
				Use the INTTMOEQ0 interrupt signal as the TIPO1 input signal under the following condition. TMM0 operation clock ≥ TMP0 operation clock × 4	p. 319 <input type="checkbox"/>
				To set the ISEL02 to ISEL06 bits to 1, set the corresponding pin in the capture input mode.	p. 319 <input type="checkbox"/>
				Set to the ISEL02 to ISEL06 bits when operating of TMP0, TMP1, TMP3, and TMM0, UARTA0 to UARTA3 is stopped.	p. 319 <input type="checkbox"/>
Capture operation	When the capture operation is used and a slow clock is selected as the count clock, FFFFH, not 0000H, may be captured in the TPnCCR0 and TPnCCR1 registers if the capture trigger is input immediately after the TPnCE bit is set to 1.	p. 320 <input type="checkbox"/>			

Chapter	Classification	Function	Details of Function	Cautions	Page
Chapter 8	Soft	16-bit timer/event counter Q (TMQ)	TQnCTL0 register	Set the TQnCKS2 to TQnCKS0 bits when the TQnCE bit = 0. When the value of the TQnCE bit is changed from 0 to 1, the TQnCKS2 to TQnCKS0 bits can be set simultaneously.	p. 326 <input type="checkbox"/>
				Be sure to clear bits 3 to 6 to "0".	p. 326 <input type="checkbox"/>
			TQnCTL1 register	The TQnEST bit is valid only in the external trigger pulse output mode or one-shot pulse output mode. In any other mode, writing 1 to this bit is ignored.	p. 327 <input type="checkbox"/>
				Be sure to clear bits 3 and 4 to "0".	p. 327 <input type="checkbox"/>
				External event count input is selected in the external event count mode regardless of the value of the TQnEEE bit.	p. 328 <input type="checkbox"/>
				Set the TQnEEE and TQnMD2 to TQnMD0 bits when the TQnCTL0.TQnCE bit = 0. (The same value can be written when the TQnCE bit = 1.) The operation is not guaranteed when rewriting is performed with the TQnCE bit = 1. If rewriting was mistakenly performed, clear the TQnCE bit to 0 and then set the bits again.	p. 328 <input type="checkbox"/>
			TQnIOC0 register	Rewrite the TQnOLm and TQnOEm bits when the TQnCTL0.TQnCE bit = 0. (The same value can be written when the TQnCE bit = 1.) If rewriting was mistakenly performed, clear the TQnCE bit to 0 and then set the bits again.	p. 329 <input type="checkbox"/>
				Even if the TQnOLm bit is manipulated when the TQnCE and TQnOEm bits are 0, the TOQnm pin output level varies.	p. 329 <input type="checkbox"/>
			TQnIOC1 register	Rewrite the TQnIS7 to TQnIS0 bits when the TQnCTL0.TQnCE bit = 0. (The same value can be written when the TQnCE bit = 1.) If rewriting was mistakenly performed, clear the TQnCE bit to 0 and then set the bits again.	p. 330 <input type="checkbox"/>
				The TQnIS7 to TQnIS0 bits are valid only in the freerunning timer mode and the pulse width measurement mode. In all other modes, a capture operation is not possible.	p. 330 <input type="checkbox"/>
			TQnIOC2 register	Rewrite the TQnEES1, TQnEES0, TQnETS1, and TQnETS0 bits when the TQnCTL0.TQnCE bit = 0. (The same value can be written when the TQnCE bit = 1.) If rewriting was mistakenly performed, clear the TQnCE bit to 0 and then set the bits again.	p. 331 <input type="checkbox"/>
				The TQnEES1 and TQnEES0 bits are valid only when the TQnCTL1.TQnEEE bit = 1 or when the external event count mode (TQnCTL1.TQnMD2 to TQnCTL1.TQnMD0 bits = 001) has been set.	p. 331 <input type="checkbox"/>
				The TQnETS1 and TQnETS0 bits are valid only when the external trigger pulse output mode (TQnCTL1.TQnMD2 to TQnCTL1.TQnMD0 bits = 010) or the one-shot pulse output mode (TQnCTL1.TQnMD2 to TQnCTL1.TQnMD0 = 011) is set.	p. 331 <input type="checkbox"/>
			TQnOPT0 register	Rewrite the TQnCCS3 to TQnCCS0 bits when the TQnCTL0.TQnCE bit = 0. (The same value can be written when the TQnCE bit = 1.) If rewriting was mistakenly performed, clear the TQnCE bit to 0 and then set the bits again.	p. 332 <input type="checkbox"/>
				Be sure to clear bits 1 to 3 to "0".	p. 332 <input type="checkbox"/>
TQnCCR0 register	Accessing the TQnCCR0 register is prohibited in the following statuses. For details, see 3.4.8 (2) Accessing specific on-chip peripheral I/O registers. <ul style="list-style-type: none"> When the CPU operates with the subclock and the main clock oscillation is stopped When the CPU operates with the internal oscillation clock 	p. 333 <input type="checkbox"/>			
TQnCCR1 register	Accessing the TQnCCR1 register is prohibited in the following statuses. For details, see 3.4.8 (2) Accessing specific on-chip peripheral I/O registers. <ul style="list-style-type: none"> When the CPU operates with the subclock and the main clock oscillation is stopped When the CPU operates with the internal oscillation clock 	p. 335 <input type="checkbox"/>			

Chapter	Classification	Function	Details of Function	Cautions	Page
Chapter 8	Soft	16-bit timer/event counter Q (TMQ)	TQnCCR2 register	Accessing the TQnCCR2 register is prohibited in the following statuses. For details, see 3.4.8 (2) Accessing specific on-chip peripheral I/O registers. <ul style="list-style-type: none"> When the CPU operates with the subclock and the main clock oscillation is stopped When the CPU operates with the internal oscillation clock 	p. 337 <input type="checkbox"/>
			TQnCCR3 register	Accessing the TQnCCR3 register is prohibited in the following statuses. For details, see 3.4.8 (2) Accessing specific on-chip peripheral I/O registers. <ul style="list-style-type: none"> When the CPU operates with the subclock and the main clock oscillation is stopped When the CPU operates with the internal oscillation clock 	p. 339 <input type="checkbox"/>
			TQnCNT register	Accessing the TQnCNT register is prohibited in the following statuses. For details, see 3.4.8 (2) Accessing specific on-chip peripheral I/O registers. <ul style="list-style-type: none"> When the CPU operates with the subclock and the main clock oscillation is stopped When the CPU operates with the internal oscillation clock 	p. 341 <input type="checkbox"/>
			QnmNFC register	Be sure to clear bits 3 to 5 and 7 to "0".	p. 342 <input type="checkbox"/>
				A signal input to the timer input pin (TIQnm) before the QnmNFC register is set is output with digital noise eliminated. Therefore, set the sampling clock (NFC2 to NFC0) and the number of times of sampling (NFSTS) by using the QnmNFC register, wait for initialization time = (Sampling clock) × (Number of times of sampling), and enable the timer operation.	p. 342 <input type="checkbox"/>
			External event count mode	To use the external event count mode, specify that the valid edge of the TIQn0 pin capture trigger input is not detected (by clearing the TQnIOC1.TQnIS1 and TQnIOC1.TQnIS0 bits to "00").	p. 343 <input type="checkbox"/>
			External trigger pulse output mode, one-shot pulse output mode, pulse width measurement mode	When using the external trigger pulse output mode, one-shot pulse output mode, and pulse width measurement mode, select the internal clock as the count clock (by clearing the TQnCTL1.TQnEEE bit to 0).	p. 343 <input type="checkbox"/>
			TQnCTL1.TQnEEE bit	This bit can be set to 1 only when the interrupt request signals (INTTQnCC0 and INTTQnCCk) are masked by the interrupt mask flags (TQnCCMK0 to TQnCCMKk) and the timer output (TOQnk) is performed at the same time. However, the TQnCCR0 and TQnCCRk registers must be set to the same value (see 8.5.1 (2) (d) Operation of TQnCCR1 to TQnCCR3 registers) (k = 1 to 3).	p. 345 <input type="checkbox"/>
			Notes on rewriting TQnCCR0 register	To change the value of the TQnCCR0 register to a smaller value, stop counting once and then change the set value. If the value of the TQnCCR0 register is rewritten to a smaller value during counting, the 16-bit counter may overflow.	pp. 349, 358 <input type="checkbox"/>
			Register setting for operation in external event count mode	When an external clock is used as the count clock, the external clock can be input only from the TIQn0 pin. At this time, set the TQnIOC1.TQnIS1 and TQnIOC1.TQnIS0 bits to 00 (capture trigger input (TIQn0 pin): no edge detection).	p. 355 <input type="checkbox"/>
External event count mode (TQnMD2 to TQnMD0 bits = 001)	In the external event count mode, do not set the TQnCCR0 register to 0000H.	p. 357 <input type="checkbox"/>			
	In the external event count mode, use of the timer output is disabled. If performing timer output using external event count input, set the interval timer mode, and select the operation enabled by the external event count input for the count clock (TQnCTL1.TQnMD2 to TQnCTL1.TQnMD0 bits = 000, TQnCTL1.TQnEEE bit = 1).	p. 357 <input type="checkbox"/>			

Chapter	Classification	Function	Details of Function	Cautions	Page
Chapter 8	Soft	16-bit timer/ event counter Q (TMQ)	TQnIOC0.TQnOE0, TQnOL0 bits	Clear this bit to 0 when the TOQn0 pin is not used in the external trigger pulse output mode.	p. 365 <input type="checkbox"/>
			Note on changing pulse width during operation	To change the PWM waveform while the counter is operating, write the TQnCCR1 register last. Rewrite the TQnCCRk register after writing the TQnCCR1 register after the INTTQnCC0 signal is detected.	p. 369 <input type="checkbox"/>
			TQnIOC0.TQnOE0, TQnOL0 bits	Clear this bit to 0 when the TOQn0 pin is not used in the one-shot pulse output mode.	p. 378 <input type="checkbox"/>
			Register setting for operation in one-shot pulse output mode	One-shot pulses are not output even in the one-shot pulse output mode, if the value set in the TQnCCRk register is greater than that set in the TQnCCR0 register.	p. 379 <input type="checkbox"/>
			Note on rewriting TQnCCRm register	To change the set value of the TQnCCRm register to a smaller value, stop counting once, and then change the set value. If the value of the TQnCCR0 register is rewritten to a smaller value during counting, the 16-bit counter may overflow.	p. 382 <input type="checkbox"/>
			TQnIC0.TQnOE0, TQnOL0 bits	Clear this bit to 0 when the TOQn0 pin is not used in the PWM output mode.	p. 387 <input type="checkbox"/>
			Triangular wave PWM mode (TQnMD2 to TQnMD0 = 111)	In the PWM mode, the capture function of the TQnCCRm register cannot be used because this register can be used only as a compare register.	p. 421 <input type="checkbox"/>
			Timer Tuned Operation Function	The tuned operation mode is enabled or disabled by the TPmCTL1.TPmSYE and TQnCTL1.TQnSYE bits. For TMQ2, either or both TMQ3 and TMQ0 can be specified as slaves. Set the tuned operation mode using the following procedure. <1> Set the TPmCTL1.TPmSYE and TQnCTL1.TQnSYE bits of the slave timer to enable the tuned operation. Set the TPmCTL1.TPmMD2 to TPmCTL1.TPmMD0 and TQnCTL1.TPnMD2 to TQnCTL1.TPnMD0 bits of the slave timer to the free-running mode <2> Set the timer mode by using the TPnCTL1.TPnMD2 to TPnCTL1.TPnMD0 and TQnCTL1.TPnMD2 to TQnCTL1.TPnMD0 bits. At this time, do not set the TPnCTL1.TPnSYE and TQnCTL1.TQnSYE bits of the master timer. <3> Set the compare register value of the master and slave timers. <4> Set the TPmCTL0.TPmCE and TQnCTL0.TQnCE bits of the slave timer to enable operation on the internal operating clock. <5> Set the TPnCTL0.TPnCE and TQnCTL0.TQnCE bits of the master timer to enable operation on the internal operating clock.	p. 423 <input type="checkbox"/> p. 423 <input type="checkbox"/>
			Capture operation	When the capture operation is used and a slow clock is selected as the count clock, FFFFH, not 0000H, may be captured in the TQnCCR0, TQnCCR1, TQnCCR2, and TQnCCR3 registers if the capture trigger is input immediately after the TQnCE bit is set to 1.	p. 427 <input type="checkbox"/>
			Chapter 9	Soft	16-bit interval timer M (TMM)
Be sure to clear bits 3 to 6 to "0".	p. 430 <input type="checkbox"/>				
Operation in interval timer mode	Do not set the TMOCMP0 register to FFFFH.	pp. 431, 434 <input type="checkbox"/>			
Count start	It takes the 16-bit counter up to the following time to start counting after the TMOCTL0.TMOCE bit is set to 1, depending on the count clock selected.	p. 435 <input type="checkbox"/>			

Chapter	Classification	Function	Details of Function	Cautions	Page
Chapter 9	Soft	16-bit interval timer M (TMM)	TM0CMP0, TM0CTL0 registers	Rewriting the TM0CMP0 and TM0CTL0 registers is prohibited while TMM0 is operating. If these registers are rewritten while the TM0CE bit is 1, the operation cannot be guaranteed. If they are rewritten by mistake, clear the TM0CTL0.TM0CE bit to 0, and re-set the registers.	p. 435 <input type="checkbox"/>
Chapter 10	Soft	Watch timer functions	PRSM0 register	Do not change the values of the BGCS00 and BGCS01 bits during watch timer operation.	p. 439 <input type="checkbox"/>
				Set the PRSM0 register before setting the BGCE0 bit to 1.	p. 439 <input type="checkbox"/>
				Set the PRSM0 and PRSCM0 registers according to the main clock frequency that is used so as to obtain an f_{BRG} frequency of 32.768 kHz.	p. 439 <input type="checkbox"/>
			PRSCM0 register	Do not rewrite the PRSCM0 register during watch timer operation.	p. 440 <input type="checkbox"/>
				Set the PRSCM0 register before setting the PRSM0.BGCE0 bit to 1.	p. 440 <input type="checkbox"/>
				Set the PRSM0 and PRSCM0 registers according to the main clock frequency that is used so as to obtain an f_{BRG} frequency of 32.768 kHz.	p. 440 <input type="checkbox"/>
			WTM register	Rewrite the WTM2 to WTM7 bits while both the WTM0 and WTM1 bits are 0.	p. 442 <input type="checkbox"/>
	Cautions	Some time is required before the first watch timer interrupt request signal (INTWT) is generated after operation is enabled (WTM.WTM1 and WTM.WTM0 bits = 1).	p. 445 <input type="checkbox"/>		
	Hard		It takes 0.515625 seconds (max.) for the first INTWT signal to be generated ($2^9 \times 1/32768 = 0.015625$ seconds longer (max.)). The INTWT signal is then generated every 0.5 seconds.	p. 445 <input type="checkbox"/>	
	Chapter 11	Soft	Functions of watchdog timer 2	Functions	Watchdog timer 2 automatically starts in the reset mode following reset release. When watchdog timer 2 is not used, either stop its operation before reset is executed via this function, or clear watchdog timer 2 once and stop it within the next interval time. Also, write to the WDTM2 register for verification purposes only once, even if the default settings (reset mode, interval time: $f_r/2^{19}$) do not need to be changed.
For the non-maskable interrupt servicing due to a non-maskable interrupt request signal (INTWDT2), see 16.2.2 (2) INTWDT2 signal.					p. 446 <input type="checkbox"/>
WDTM2 register				Accessing the WDTM2 register is prohibited in the following statuses. For details, see 3.4.8 (2) Accessing specific on-chip peripheral I/O registers. <ul style="list-style-type: none"> When the CPU operates with the subclock and the main clock oscillation is stopped When the CPU operates with the internal oscillation clock 	p. 448 <input type="checkbox"/>
				If the OPB1 bit is set to 1 by using the option byte function (see CHAPTER 25), the reset mode is fixed.	p. 448 <input type="checkbox"/>
				For details of the WDCS20 to WDCS24 bits, see Table 11-2 Watchdog Timer 2 Clock Selection.	p. 448 <input type="checkbox"/>
				If the WDTM2 register is rewritten twice after reset, an overflow signal is forcibly generated and the counter is reset.	p. 448 <input type="checkbox"/>
				To intentionally generate an overflow signal, write to the WDTM2 register only twice or write a value other than ACH to the WDTE register once. However, when watchdog timer 2 is set to stop operation, an overflow signal is not generated even if data is written to the WDTM2 register only twice, or a value other than "ACH" is written to the WDTE register only once.	p. 448 <input type="checkbox"/>
				To stop the operation of watchdog timer 2, RCM.RSTOP bit is set to 1 (internal oscillator is stopped), and write 1FH to the WDTM2 register. If the OPB1 bit is set to 1 by using the option byte function (see CHAPTER 25), however, watchdog timer 2 cannot be stopped by any means other than reset.	p. 448 <input type="checkbox"/>

Chapter	Classification	Function	Details of Function	Cautions	Page	
Chapter 11	Soft	Functions of watchdog timer 2	WDTM2 register	If the OPB1 bit is set to 1 by using the option byte function, the clock is fixed to the internal oscillation clock (f_R) ($2^{12}/f_R$ to $2^{19}/f_R$ can be selected). For details, see CHAPTER 25 OPTION BYTE FUNCTION.	p. 449 <input type="checkbox"/>	
			WDTE register	When a value other than "ACH" is written to the WDTE register, an overflow signal is forcibly output.	p. 450 <input type="checkbox"/>	
				When a 1-bit memory manipulation instruction is executed for the WDTE register, an overflow signal is forcibly output.	p. 450 <input type="checkbox"/>	
				To intentionally generate an overflow signal, write to the WDTM2 register only twice or write a value other than ACH to the WDTE register once. However, when the watchdog timer 2 is set to stop operation, an overflow signal is not generated even if data is written to the WDTM2 register only twice, or a value other than "ACH" is written to the WDTE register only once.	p. 450 <input type="checkbox"/>	
				The read value of the WDTE register is "9AH" (which differs from written value "ACH").	p. 450 <input type="checkbox"/>	
Chapter 12	Hard	A/D converter	ANI0 to ANI13 pins	Make sure that the voltages input to the ANI0 to ANI23 pins do not exceed the rated values. In particular if a voltage of AV_{REF0} or higher is input to a channel, the conversion value of that channel becomes undefined, and the conversion values of the other channels may also be affected.	p. 455 <input type="checkbox"/>	
				The analog input pins (ANI0 to ANI23) function alternately as input port pins (P70 to P715, P120 to P127). If any of ANI0 to ANI23 is selected to execute A/D conversion, do not execute an input instruction to ports 7 and 12 during conversion. If executed, the conversion resolution may be degraded.	p. 455 <input type="checkbox"/>	
	Soft	A/D converter	ADA0M0 register	Accessing the ADA0M0 register is prohibited in the following statuses. For details, see 3.4.8 (2) Accessing specific on-chip peripheral I/O registers. <ul style="list-style-type: none"> When the CPU operates with the subclock and the main clock oscillation is stopped When the CPU operates with the internal oscillation clock 	p. 456 <input type="checkbox"/>	
				Write operations to bit 0 are ignored.	p. 457 <input type="checkbox"/>	
				Changing the ADA0M1 register value is prohibited while A/D conversion is enabled (ADA0CE bit = 1).	p. 457 <input type="checkbox"/>	
				If the ADA0M0, ADA0M2, ADA0S, ADA0PFM, and ADA0PFT registers are written during A/D conversion (ADA0EF bit = 1), the following will be performed according to the mode. <ul style="list-style-type: none"> In software trigger mode A/D conversion is stopped and started again from the beginning. In hardware trigger mode A/D conversion is stopped, and the trigger standby state is set. 	p. 457 <input type="checkbox"/>	
				When not using the A/D converter, stop the operation by setting the ADA0CE bit to 0 to reduce the power consumption.	p. 457 <input type="checkbox"/>	
				The resolution for the first conversion of the data of the input pin immediately after the start of A/D conversion may be degraded. For details, see 12.6 (7) AV_{REF0} pin.	p. 457 <input type="checkbox"/>	
				ADA0M1 register	Be sure to clear bits 6 to 4 to "0".	p. 458 <input type="checkbox"/>
					Be sure to set the ADA0HS1 bit to "1".	p. 458 <input type="checkbox"/>
				Conversion Mode Setting Example	Set as $3.1 \mu s \leq \text{conversion time} \leq 15.5 \mu s$.	p. 458 <input type="checkbox"/>
	Rewriting of the ADA0M0, ADA0M2, ADA0S, ADA0PFM, and ADA0PFT registers and trigger input are prohibited during the stabilization time.	p. 458 <input type="checkbox"/>				
	ADA0M2 register	Be sure to clear bits 7 to 2 to "0".	p. 459 <input type="checkbox"/>			

Chapter	Classification	Function	Details of Function	Cautions	Page
Chapter 12	Soft	A/D converter	ADA0CRn, ADA0CRnH registers	<p>Accessing the ADA0CRn and ADA0CRnH registers is prohibited in the following statuses. For details, see 3.4.8 (2) Accessing specific on-chip peripheral I/O registers.</p> <ul style="list-style-type: none"> • When the CPU operates with the subclock and the main clock oscillation is stopped • When the CPU operates with the internal oscillation clock 	p. 461 <input type="checkbox"/>
				<p>A write operation to the ADA0M0 and ADA0S registers may cause the contents of the ADA0CRn register to become undefined. After the conversion, read the conversion result before writing to the ADA0M0 and ADA0S registers. Correct conversion results may not be read if a sequence other than the above is used.</p>	p. 461 <input type="checkbox"/>
		ADA0PFM register	<p>In the select mode, the 8-bit data set to the ADA0PFT register is compared with the value of the ADA0CRnH register specified by the ADA0S register. If the result matches the condition specified by the ADA0PFC bit, the conversion result is stored in the ADA0CRn register and the INTAD signal is generated. If it does not match, however, the interrupt signal is not generated.</p>	p. 463 <input type="checkbox"/>	
			<p>In the scan mode, the 8-bit data set to the ADA0PFT register is compared with the contents of the ADA0CR0H register. If the result matches the condition specified by the ADA0PFC bit, the conversion result is stored in the ADA0CR0 register and the INTAD signal is generated. If it does not match, however, the INTAD signal is not generated. Regardless of the comparison result, the scan operation is continued and the conversion result is stored in the ADA0CRn register until the scan operation is completed. However, the INTAD signal is not generated after the scan operation has been completed.</p>	p. 463 <input type="checkbox"/>	
		When A/D converter is not used	<p>When the A/D converter is not used, the power consumption can be reduced by clearing the ADA0M0.ADA0CE bit to 0.</p>	p. 476 <input type="checkbox"/>	
		Input range of ANI0 to ANI23 pins	<p>Input the voltage within the specified range to the ANI0 to ANI23 pins. If a voltage equal to or higher than AV_{REF0} or equal to or lower than AV_{SS} (even within the range of the absolute maximum ratings) is input to any of these pins, the conversion value of that channel is undefined, and the conversion value of the other channels may also be affected.</p>	p. 476 <input type="checkbox"/>	
		Countermeasures against noise	<p>To maintain the 10-bit resolution, the ANI0 to ANI23 pins must be effectively protected from noise. The influence of noise increases as the output impedance of the analog input source becomes higher. To lower the noise, connecting an external capacitor as shown in Figure 12-9 is recommended.</p>	p. 476 <input type="checkbox"/>	
		Alternate I/O	<p>The analog input pins (ANI0 to ANI23) function alternately as port pins. When selecting one of the ANI0 to ANI23 pins to execute A/D conversion, do not execute an instruction to read an input port or write to an output port during conversion as the conversion resolution may drop.</p> <p>Also the conversion resolution may drop at the pins set as output port pins during A/D conversion if the current flows due to the effect of the external circuit connected to the port pins.</p> <p>If a digital pulse is applied to a pin adjacent to the pin whose input signal is being converted, the A/D conversion value may not be as expected due to the influence of coupling noise. Therefore, do not apply a pulse to a pin adjacent to the pin undergoing A/D conversion.</p>	p. 476 <input type="checkbox"/>	
		Interrupt request flag (ADIF)	<p>The interrupt request flag (ADIF) is not cleared even if the contents of the ADA0S register are changed. If the analog input pin is changed during A/D conversion, therefore, the result of converting the previously selected analog input signal may be stored and the conversion end interrupt request flag may be set immediately before the ADA0S register is rewritten. If the ADIF flag is read immediately after the ADA0S register is rewritten, the ADIF flag may be set even though the A/D conversion of the newly selected analog input pin has not been completed. When A/D conversion is stopped, clear the ADIF flag before resuming conversion.</p>	p. 477 <input type="checkbox"/>	

Chapter	Classification	Function	Details of Function	Cautions	Page
Chapter 12	Hard	A/D converter	AV _{REF0} pin	<p>(a) The AV_{REF0} pin is used as the power supply pin of the A/D converter and also supplies power to the alternate-function ports. In an application where a backup power supply is used, be sure to supply the same voltage as V_{DD} to the AV_{REF0} pin as shown in Figure 12-12.</p> <p>(b) The AV_{REF0} pin is also used as the reference voltage pin of the A/D converter. If the source supplying power to the AV_{REF0} pin has a high impedance or if the power supply has a low current supply capability, the reference voltage may fluctuate due to the current that flows during conversion (especially, immediately after the conversion operation enable bit ADA0CE has been set to 1). As a result, the conversion accuracy may drop. To avoid this, it is recommended to connect a capacitor across the AV_{REF0} and AV_{SS} pins to suppress the reference voltage fluctuation as shown in Figure 12-12.</p> <p>(c) If the source supplying power to the AV_{REF0} pin has a high DC resistance (for example, because of insertion of a diode), the voltage when conversion is enabled may be lower than the voltage when conversion is stopped, because of a voltage drop caused by the A/D conversion current.</p>	p. 478 <input type="checkbox"/>
			Reading ADA0CRn register	When the ADA0M0 to ADA0M2, ADA0S, ADA0PFM, or ADA0PFT register is written, the contents of the ADA0CRn register may be undefined. Read the conversion result after completion of conversion and before writing to the ADA0M0 to ADA0M2, ADA0S, ADA0PFM, or ADA0PFT register. Also, when an external/timer trigger is acknowledged, the contents of the ADA0CRn register may be undefined. Read the conversion result after completion of conversion and before the next external/timer trigger is acknowledged. The correct conversion result may not be read at a timing different from the above.	p. 478 <input type="checkbox"/>
			A/D conversion result	<p>If there is noise at the analog input pins and at the reference voltage input pins, that noise may generate an illegal conversion result. Software processing will be needed to avoid a negative effect on the system from this illegal conversion result. An example of this software processing is shown below.</p> <ul style="list-style-type: none"> • Take the average result of a number of A/D conversions and use that as the A/D conversion result. • Execute a number of A/D conversions consecutively and use those results, omitting any exceptional results that may have been obtained. • If an A/D conversion result that is judged to have generated a system malfunction is obtained, be sure to recheck the system malfunction before performing malfunction processing. 	p. 478 <input type="checkbox"/>
			Standby mode	<p>Because the A/D converter stops operating in the STOP mode, conversion results are invalid, so power consumption can be reduced. Operations are resumed after the STOP mode is released, but the A/D conversion results after the STOP mode is released are invalid. When using the A/D converter after the STOP mode is released, before setting the STOP mode or releasing the STOP mode, clear the ADA0M0.ADA0CE bit to 0 then set the ADA0CE bit to 1 after releasing the STOP mode.</p> <p>In the IDLE1, IDLE2, or subclock operation mode, operation continues. To lower the power consumption, therefore, clear the ADA0M0.ADA0CE bit to 0. In the IDLE1 and IDLE2 modes, since the analog input voltage value cannot be retained, the A/D conversion results after the IDLE1 and IDLE2 modes are released are invalid. The results of conversions before the IDLE1 and IDLE2 modes were set are valid.</p>	p. 479 <input type="checkbox"/>
	Rewriting registers and trigger input during the stabilization time	Rewriting of the ADA0M0, ADA0M2, ADA0S, ADA0PFM, and ADA0PFT registers and trigger input during the stabilization time are prohibited.	p. 479 <input type="checkbox"/>		
	Soft				

Chapter	Classification	Function	Details of Function	Cautions	Page
Chapter 12	Soft	A/D converter	Variation of A/D conversion results	The results of the A/D conversion may vary depending on the fluctuation of the supply voltage, or may be affected by noise. To reduce the variation, take counteractive measures with the program such as averaging the A/D conversion results.	p. 479 <input type="checkbox"/>
	Hard		A/D conversion result hysteresis characteristics	The successive comparison type A/D converter holds the analog input voltage in the internal sample & hold capacitor and then performs A/D conversion. After the A/D conversion has finished, the analog input voltage remains in the internal sample & hold capacitor. As a result, the following phenomena may occur. <ul style="list-style-type: none"> When the same channel is used for A/D conversions, if the voltage is higher or lower than the previous A/D conversion, then hysteresis characteristics may appear where the conversion result is affected by the previous value. When switching the analog input channel, hysteresis characteristics may appear where the conversion result is affected by the previous channel value. This is because one A/D converter is used for the A/D conversions. Thus, even if the conversion is performed at the same potential, the result may vary.	p. 479 <input type="checkbox"/>
Chapter 13	Soft	Asynchronous serial interface A (UARTA)	UAnOPT0 register	Do not set the UAnSRT and UAnSTT bits (to 1) during SBF reception (UAnSRF bit = 1).	p. 490 <input type="checkbox"/>
			SBF reception	If SBF is transmitted during a data reception, a framing error occurs.	p. 500 <input type="checkbox"/>
				Do not set the SBF reception trigger bit (UAnSRT) and SBF transmission trigger bit (UAnSTT) to 1 during an SBF reception (UAnSRF = 1).	p. 500 <input type="checkbox"/>
			Continuous transmission	When initializing transmissions during the execution of continuous transmissions, make sure that the UAnSTR.UAnTSF bit is 0, then perform the initialization. Transmit data that is initialized when the UAnTSF bit is 1 cannot be guaranteed. In the case of continuous transmission, the communication rate from the stop bit to the start bit of the next data is extended by two operating clocks from the normal rate.	p. 502 <input type="checkbox"/>
			UART reception	Be sure to read the UAnRX register even when a reception error occurs. If the UAnRX register is not read, an overrun error occurs during reception of the next data, and reception errors continue occurring indefinitely.	p. 504 <input type="checkbox"/>
				The operation during reception is performed assuming that there is only one stop bit. A second stop bit is ignored.	p. 504 <input type="checkbox"/>
				When reception is completed, read the UAnRX register after the reception complete interrupt request signal (INTUAnR) has been generated, and clear the UAnPWR or UAnRXE bit to 0. If the UAnPWR or UAnRXE bit is cleared to 0 before the INTUAnR signal is generated, the read value of the UAnRX register cannot be guaranteed.	p. 504 <input type="checkbox"/>
				If receive completion processing (INTUAnR signal generation) of UARTAn and the UAnPWR bit = 0 or UAnRXE bit = 0 conflict, the INTUAnR signal may be generated in spite of these being no data stored in the UAnRX register. To complete reception without waiting INTUAnR signal generation, be sure to clear (0) the interrupt request flag (UAnRIF) of the UAnRIC register, after setting (1) the interrupt mask flag (UAnRMK) of the interrupt control register (UAnRIC) and then set (1) the UAnPWR bit = 0 or UAnRXE bit = 0.	p. 504 <input type="checkbox"/>
			Reception errors	When an INTUAnR signal is generated, the UAnSTR register must be read to check for errors.	p. 505 <input type="checkbox"/>
				If a receive error interrupt occurs during continuous reception, read the contents of the UAnSTR register must be read before the next reception is completed, then perform error processing.	p. 506 <input type="checkbox"/>
LIN function	When using the LIN function, fix the UAnPS1 and UAnPS0 bits of the UAnCTL0 register to 00.	p. 507 <input type="checkbox"/>			

Chapter	Classification	Function	Details of Function	Cautions	Page
Chapter 13	Soft	Asynchronous serial interface A (UARTA)	UAnCTL1 register	Clear the UAnCTL0.UAnPWR bit to 0 before rewriting the UAnCTL1 register.	p. 510 <input type="checkbox"/>
			UAnCTL2 register	Clear the UAnCTL0.UAnPWR bit to 0 or clear the UAnTXE and UAnRXE bits to 00 before rewriting the UAnCTL2 register.	p. 511 <input type="checkbox"/>
			Baud rate error	The baud rate error during transmission must be within the error tolerance on the receiving side.	p. 512 <input type="checkbox"/>
				The baud rate error during reception must satisfy the range indicated in (5) Allowable baud rate range during reception.	p. 512 <input type="checkbox"/>
			Allowable baud rate range during reception	The baud rate error during reception must be set within the allowable error range using the following equation.	p. 514 <input type="checkbox"/>
			When the clock supply to UARTAn is stopped	When the clock supply to UARTAn is stopped (for example, in IDLE1, IDLE2, or STOP mode), the operation stops with each register retaining the value it had immediately before the clock supply was stopped. The TXDAn pin output also holds and outputs the value it had immediately before the clock supply was stopped. However, the operation is not guaranteed after the clock supply is resumed. Therefore, after the clock supply is resumed, the circuits should be initialized by setting the UAnCTL0.UAnPWR, UAnCTL0.UAnRXEn, and UAnCTL0.UAnTXEn bits to 000.	p. 517 <input type="checkbox"/>
			RXDA1 pin KR7 pin	The RXDA1 and KR7 pins must not be used at the same time. To use the RXDA1 pin, do not use the KR7 pin. To use the KR7 pin, do not use the RXDA1 pin (it is recommended to set the PFC91 bit to 1 and clear PFCE91 bit to 0).	p. 517 <input type="checkbox"/>
			Transfer of transmit data and receive data using DMA transfer	In UARTAn, the interrupt caused by a communication error does not occur. When performing the transfer of transmit data and receive data using DMA transfer, error processing cannot be performed even if errors (parity, overrun, framing) occur during transfer. Either read the UAnSTR register after DMA transfer has been completed to make sure that there are no errors, or read the UAnSTR register during communication to check for errors.	p. 517 <input type="checkbox"/>
			Start up UARTAn	Start up the UARTAn in the following sequence. <1> Set the UAnCTL0.UAnPWR bit to 1. <2> Set the ports. <3> Set the UAnCTL0.UAnTXE bit to 1, UAnCTL0.UAnRXE bit to 1.	p. 517 <input type="checkbox"/>
			Stop UARTAn	Stop the UARTAn in the following sequence. <1> Set the UAnCTL0.UAnTXE bit to 0, UAnCTL0.UAnRXE bit to 0. <2> Set the ports and set the UAnCTL0.UAnPWR bit to 0 (it is not a problem if port setting is not changed).	p. 517 <input type="checkbox"/>
			Transmit mode	In transmit mode (UAnCTL0.UAnPWR bit = 1 and UAnCTL0.UAnTXE bit = 1), do not overwrite the same value to the UAnTX register by software because transmission starts by writing to this register. To transmit the same value continuously, overwrite the same value.	p. 517 <input type="checkbox"/>
			Continuous transmission	In continuous transmission, the communication rate from the stop bit to the next start bit is extended 2 base clocks more than usual. However, the reception side initializes the timing by detecting the start bit, so the reception result is not affected.	p. 517 <input type="checkbox"/>
On-chip debug mode	If the break command is executed in the on-chip debug (OCD) mode and if UART receives data, an overrun error occurs.	p. 517 <input type="checkbox"/>			

Chapter	Chapter Classification	Function	Details of Function	Cautions	Page
Chapter 14	Soft	3-wire variable-length serial I/O (CSIB)	CBnCTL0 register	To forcibly suspend transmission/reception, clear the CBnPWR bit instead of the CBnRxE bit and CBnTXE bit to 0. At this time, the clock output is stopped.	p. 521 <input type="checkbox"/>
				Be sure to clear bits 3 and 2 to "0".	p. 523 <input type="checkbox"/>
			CBnCTL1 register	The CBnCTL1 register can be rewritten only when the CBnCTL0.CBnPWR bit = 0, or CBnCTL0.CBnTXE, CBnRXE bit = 0.	p. 524 <input type="checkbox"/>
				Set so that communication clock (f_{CLK}) is 8 MHz or less.	p. 524 <input type="checkbox"/>
			CBnCTL2 register	The CBnCTL2 register can be rewritten only when the CBnCTL0.CBnPWR bit = 0 or when both the CBnTXE and CBnRXE bits = 0.	p. 525 <input type="checkbox"/>
			Continuous transfer mode (master mode, transmission mode)	In continuous transmission mode, the reception completion interrupt request signal (INTCBnR) is not generated.	p. 542 <input type="checkbox"/>
			Continuous transfer mode (slave mode, transmission mode)	In continuous transmission mode, the reception completion interrupt request signal (INTCBnR) is not generated.	p. 551 <input type="checkbox"/>
			Clock timing	In single transfer mode, writing to the CBnTX register with the CBnTSF bit set to 1 is ignored. This has no influence on the operation during transfer. For example, if the next data is written to the CBnTX register when DMA is started by generating the INTCBnR signal, the written data is not transferred because the CBnTSF bit is set to 1. Use the continuous transfer mode, not the single transfer mode, for such applications.	pp. 560, 561 <input type="checkbox"/>
			PRSM0 register	Do not rewrite the PRSM0 register while watch timer and CSIB0 are operating.	p. 563 <input type="checkbox"/>
				Set the PRSM0 register before setting the BGCE0 bit to 1.	p. 563 <input type="checkbox"/>
			PRSCM0 register	Do not rewrite the PRSCM0 register while watch timer and CSIB are operating.	p. 564 <input type="checkbox"/>
				Set the PRSCM0 register before setting the PRSM0.BGCE0 bit to 1.	p. 564 <input type="checkbox"/>
			Baud rate generation	Set so that the f_{BRG} is 8 MHz or less.	p. 564 <input type="checkbox"/>
			When transferring transmit data and receive data using DMA transfer	When transferring transmit data and receive data using DMA transfer, error processing cannot be performed even if an overrun error occurs during serial transfer. Check that the no overrun error has occurred by reading the CBnSTR.CBnOVE bit after DMA transfer has been completed.	p. 565 <input type="checkbox"/>
CBnCTL0 register CBnCTL1 register CBnCTL2 register	In regards to registers that are forbidden from being rewritten during operations (CBnCTL0.CBnPWR bit is 1), if rewriting has been carried out by mistake during operations, set the CBnCTL0.CBnPWR bit to 0 once, then initialize CSIBn. Registers to which rewriting during operation are prohibited are shown below. • CBnCTL0 register: CBnTXE, CBnRXE, CBnDIR, CBnTMS bits • CBnCTL1 register: CBnCKP, CBnDAP, CBnCKS2 to CBnCKS0 bits • CBnCTL2 register: CBnCL3 to CBnCL0 bits	p. 565 <input type="checkbox"/>			

Chapter	Classification	Function	Details of Function	Cautions	Page
Chapter 14	Soft	3-wire variable-length serial I/O (CSIB)	Communication types 2, 4	<p>In communication type 2 and 4 (CBnCTL1.CBnDAP bit = 1), the CBnSTR.CBnTSF bit is cleared half a SCKBn clock after occurrence of a reception complete interrupt (INTCBnR).</p> <p>In the single transfer mode, writing the next transmit data is ignored during communication (CBnTSF bit = 1), and the next communication is not started. Also if reception-only communication (CBnCTL0.CBnTXE bit = 0, CBnCTL0.CBnRXE bit = 1) is set, the next communication is not started even if the receive data is read during communication (CBnTSF bit = 1).</p> <p>Therefore, when using the single transfer mode with communication type 2 or 4 (CBnDAP bit = 1), pay particular attention to the following.</p> <ul style="list-style-type: none"> • To start the next transmission, confirm that CBnTSF bit = 0 and then write the transmit data to the CBnTX register. • o perform the next reception continuously when reception-only communication (CBnTXE bit = 0, CBnRXE bit = 1) is set, confirm that CBnTSF bit = 0 and then read the CBnRX register. <p>Or, use the continuous transfer mode instead of the single transfer mode. Use of the continuous transfer mode is recommended especially for using DMA.</p>	p. 565 <input type="checkbox"/>
Chapter 15	Soft	DMA function (DMA controller)	DSA0 to DSA3 registers	Be sure to clear bits 14 to 10 of the DSAnH register to 0.	p. 568 <input type="checkbox"/>
				Set the DSAnH and DSAnL registers at the following timing when DMA transfer is disabled (DCHCn.Enn bit = 0).	p. 568 <input type="checkbox"/>
				<ul style="list-style-type: none"> • Period from after reset to start of first DMA transfer • Period from after channel initialization by DCHCn.INITn bit to start of DMA transfer • Period from after completion of DMA transfer (DCHCn.TCn bit = 1) to start of the next DMA transfer 	
				When the value of the DSAn register is read, two 16-bit registers, DSAnH and DSAnL, are read. If reading and updating conflict, the value being updated may be read (see 15.13 Cautions).	p. 568 <input type="checkbox"/>
				Following reset, set the DSAnH, DSAnL, DDAnH, DDAnL, and DBCn registers before starting DMA transfer. If these registers are not set, the operation when DMA transfer is started is not guaranteed.	p. 568 <input type="checkbox"/>
			DDA0 to DDA3 registers	Be sure to clear bits 14 to 10 of the DDAnH register to 0.	p. 569 <input type="checkbox"/>
				Set the DDAnH and DDAnL registers at the following timing when DMA transfer is disabled (DCHCn.Enn bit = 0).	p. 569 <input type="checkbox"/>
				<ul style="list-style-type: none"> • Period from after reset to start of first DMA transfer • Period from after channel initialization by DCHCn.INITn bit to start of DMA transfer • Period from after completion of DMA transfer (DCHCn.TCn bit = 1) to start of the next DMA transfer 	
				When the value of the DDAn register is read, two 16-bit registers, DDAnH and DDAnL, are read. If reading and updating conflict, a value being updated may be read (see 15.13 Cautions).	p. 569 <input type="checkbox"/>
				Following reset, set the DSAnH, DSAnL, DDAnH, DDAnL, and DBCn registers before starting DMA transfer. If these registers are not set, the operation when DMA transfer is started is not guaranteed.	p. 569 <input type="checkbox"/>
DBC0 to DBC3 registers	Set the DBCn register at the following timing when DMA transfer is disabled (DCHCn.Enn bit = 0).	p. 570 <input type="checkbox"/>			
	<ul style="list-style-type: none"> • Period from after reset to start of first DMA transfer • Period from after channel initialization by DCHCn.INITn bit to start of DMA transfer • Period from after completion of DMA transfer (DCHCn.TCn bit = 1) to start of the next DMA transfer 				

Chapter	Chapter Classification	Function	Details of Function	Cautions	Page
Chapter 15	Soft	DMA function (DMA controller)	DBC0 to DBC3 registers	Following reset, set the DSAnH, DSAnL, DDAnH, DDAnL, and DBCn registers before starting DMA transfer. If these registers are not set, the operation when DMA transfer is started is not guaranteed.	p. 570 <input type="checkbox"/>
			DADC0 to DADC3 registers	Be sure to clear bits 15, 13 to 8, and 3 to 0 of the DADCn register to "0".	p. 571 <input type="checkbox"/>
				Set the DADCn register at the following timing when DMA transfer is disabled (DCHCn.Enn bit = 0). <ul style="list-style-type: none"> • Period from after reset to start of first DMA transfer • Period from after channel initialization by DCHCn.INITn bit to start of DMA transfer • Period from after completion of DMA transfer (DCHCn.TCn bit = 1) to start of the next DMA transfer 	p. 571 <input type="checkbox"/>
				The DS0 bit specifies the size of the transfer data, and does not control bus sizing. If 8-bit data (DS0 bit = 0) is set, therefore, the lower data bus is not always used.	p. 571 <input type="checkbox"/>
				If the transfer data size is set to 16 bits (DS0 bit = 1), transfer cannot be started from an odd address. Transfer is always started from an address with the first bit of the lower address aligned to 0.	p. 571 <input type="checkbox"/>
				If DMA transfer is executed on an on-chip peripheral I/O register (as the transfer source or destination), be sure to specify the same transfer size as the register size. For example, to execute DMA transfer on an 8-bit register, be sure to specify 8-bit transfer.	p. 571 <input type="checkbox"/>
				DCHC0 to DCHC3 registers	The TCn bit is read-only.
			The INITn and STGn bits are write-only.	p. 572 <input type="checkbox"/>	
			Be sure to clear bits 6 to 3 of the DCHCn register to "0".	p. 572 <input type="checkbox"/>	
			When DMA transfer is completed (when a terminal count is generated), the Enn bit is cleared to 0 and then the TCn bit is set to 1. If the DCHCn register is read while its bits are being updated, a value indicating "transfer not completed and transfer is disabled" (TCn bit = 0 and Enn bit = 0) may be read.	p. 572 <input type="checkbox"/>	
			DTFR0 to DTFR3 registers	Do not set the DFn bit to 1 by software. Write 0 to this bit to clear a DMA transfer request if an interrupt that is specified as the cause of starting DMA transfer occurs while DMA transfer is disabled.	p. 573 <input type="checkbox"/>
				Set the IFCn5 to IFCn0 bits at the following timing when DMA transfer is disabled (DCHCn.Enn bit = 0). <ul style="list-style-type: none"> • Period from after reset to start of first DMA transfer • Period from after channel initialization by DCHCn.INITn bit to start of DMA transfer • Period from after completion of DMA transfer (DCHCn.TCn bit = 1) to start of the next DMA transfer 	p. 573 <input type="checkbox"/>
				An interrupt request that is generated in the standby mode (IDEL1, IDLE2, STOP, or sub-IDLE mode) does not start the DMA transfer cycle (nor is the DFn bit set to 1).	p. 573 <input type="checkbox"/>
				If a DMA start factor is selected by the IFCn5 to IFCn0 bits, the DFn bit is set to 1 when an interrupt occurs from the selected on-chip peripheral I/O, regardless of whether the DMA transfer is enabled or disabled. If DMA is enabled in this status, DMA transfer is immediately started.	p. 573 <input type="checkbox"/>
			Relationship between transfer targets	The operation is not guaranteed for combinations of transfer destination and source marked with "x" in Table 15-2.	p. 576 <input type="checkbox"/>
			Request by on-chip peripheral I/O	Two start factors (software trigger and hardware trigger) cannot be used for one DMA channel. If two start factors are simultaneously generated for one DMA channel, only one of them is valid. The start factor that is valid cannot be identified.	p. 579 <input type="checkbox"/>

Chapter	Classification	Function	Details of Function	Cautions	Page
Chapter 15	Soft	DMA function (DMA controller)	Request by on-chip peripheral I/O	A new transfer request that is generated after the preceding DMA transfer request was generated or in the preceding DMA transfer cycle is ignored (cleared).	p. 579 <input type="checkbox"/>
				The transfer request interval of the same DMA channel varies depending on the setting of bus wait in the DMA transfer cycle, the start status of the other channels, or the external bus hold request. In particular, as described in Caution 2, a new transfer request that is generated for the same channel before the DMA transfer cycle or during the DMA transfer cycle is ignored. Therefore, the transfer request intervals for the same DMA channel must be sufficiently separated by the system. When the software trigger is used, completion of the DMA transfer cycle that was generated before can be checked by updating the DBCn register.	p. 579 <input type="checkbox"/>
			Caution for VSWC register	When using the DMAC, be sure to set an appropriate value, in accordance with the operating frequency, to the VSWC register. When the default value (77H) of the VSWC register is used, or if an inappropriate value is set to the VSWC register, the operation is not correctly performed (for details of the VSWC register, see 3.4.8 (1) (a) System wait control register (VSWC)).	p. 585 <input type="checkbox"/>
			Caution for DMA transfer executed on internal RAM	When executing the following instructions located in the internal RAM, do not execute a DMA transfer that transfers data to/from the internal RAM (transfer source/destination), because the CPU may not operate correctly afterward. • Data access instruction to misaligned address located in internal RAM Conversely, when executing a DMA transfer to transfer data to/from the internal RAM (transfer source/destination), do not execute the above instruction.	p. 585 <input type="checkbox"/>
			Caution for reading DCHCn.TCn bit	The TCn bit is cleared to 0 when it is read, but it is not automatically cleared even if it is read at a specific timing. To accurately clear the TCn bit, add the following processing. (a) When waiting for completion of DMA transfer by polling TCn bit Confirm that the TCn bit has been set to 1 (after TCn bit = 1 is read), and then read the TCn bit three more times. (b) When reading TCn bit in interrupt servicing routine Execute reading the TCn bit three times.	p. 585 <input type="checkbox"/>
			DMA transfer initialization procedure (setting DCHCn.INITn bit to 1)	Even if the INITn bit is set to 1 when the channel executing DMA transfer is to be initialized, the channel may not be initialized. To accurately initialize the channel, execute either of the following two procedures. (a) Temporarily stop transfer of all DMA channels Initialize the channel executing DMA transfer using the procedure in <1> to <7> below. Note, however, that TCn bit is cleared to 0 when step <5> is executed. Make sure that the other processing programs do not expect that the TCn bit is 1. <1> Disable interrupts (DI). <2> Read the DCHCn.Enn bit of DMA channels other than the one to be forcibly terminated, and transfer the value to a general-purpose register. <3> Clear the Enn bit of the DMA channels used (including the channel to be forcibly terminated) to 0. To clear the Enn bit of the last DMA channel, execute the clear instruction twice. If the target of DMA transfer (transfer source/destination) is the internal RAM, execute the instruction three times. Example: Execute instructions in the following order if channels 0, 1, and 2 are used (if the target of transfer is not the internal RAM). • Clear DCHC0.E00 bit to 0. • Clear DCHC1.E11 bit to 0. • Clear DCHC2.E22 bit to 0. • Clear DCHC2.E22 bit to 0 again. <4> Set the INITn bit of the channel to be forcibly terminated to 1. <5> Read the TCn bit of each channel not to be forcibly terminated. If both the TCn bit and the Enn bit read in <2> are 1 (logical product (AND) is 1), clear the saved Enn bit to 0. <6> After the operation in <5>, write the Enn bit value to the DCHCn register. <7> Enable interrupts (EI).	p. 586 <input type="checkbox"/>

Chapter	Chapter Classification	Function	Details of Function	Cautions	Page
Chapter 15	Soft	DMA function (DMA controller)	DMA transfer initialization procedure (setting DCHCn.INITn bit to 1)	Be sure to execute step <5> above to prevent illegal setting of the Enn bit of the channels whose DMA transfer has been normally completed between <2> and <3>.	p. 586 <input type="checkbox"/>
				(b) Repeatedly execute setting INITn bit until transfer is forcibly terminated correctly <1> Suppress a request from the DMA request source of the channel to be forcibly terminated (stop operation of the on-chip peripheral I/O). <2> Check that the DMA transfer request of the channel to be forcibly terminated is not held pending, by using the DTFRn.DFn bit. If a DMA transfer request is held pending, wait until execution of the pending request is completed. <3> When it has been confirmed that the DMA request of the channel to be forcibly terminated is not held pending, clear the Enn bit to 0. <4> Again, clear the Enn bit of the channel to be forcibly terminated. If the target of transfer for the channel to be forcibly terminated (transfer source/destination) is the internal RAM, execute this operation once more. <5> Copy the initial number of transfers of the channel to be forcibly terminated to a general-purpose register. <6> Set the INITn bit of the channel to be forcibly terminated to 1. <7> Read the value of the DBCn register of the channel to be forcibly terminated, and compare it with the value copied in <5>. If the two values do not match, repeat operations <6> and <7>.	p. 587 <input type="checkbox"/>
			Procedure of temporarily stopping DMA transfer (clearing Enn bit)	Stop and resume the DMA transfer under execution using the following procedure. <1> Suppress a transfer request from the DMA request source (stop the operation of the on-chip peripheral I/O). <2> Check the DMA transfer request is not held pending, by using the DFn bit (check if the DFn bit = 0). If a request is pending, wait until execution of the pending DMA transfer request is completed. <3> If it has been confirmed that no DMA transfer request is held pending, clear the Enn bit to 0 (this operation stops DMA transfer). <4> Set the Enn bit to 1 to resume DMA transfer. <5> Resume the operation of the DMA request source that has been stopped (start the operation of the onchip peripheral I/O).	p. 587 <input type="checkbox"/>
			Memory boundary	The operation is not guaranteed if the address of the transfer source or destination exceeds the area of the DMA target (external memory, internal RAM, or on-chip peripheral I/O) during DMA transfer.	p. 587 <input type="checkbox"/>
			Transferring misaligned data	DMA transfer of misaligned data with a 16-bit bus width is not supported. If an odd address is specified as the transfer source or destination, the least significant bit of the address is forcibly assumed to be 0.	p. 587 <input type="checkbox"/>
		Bus arbitration for CPU	Because the DMA controller has a higher priority bus mastership than the CPU, a CPU access that takes place during DMA transfer is held pending until the DMA transfer cycle is completed and the bus is released to the CPU. However, the CPU can access the external memory, on-chip peripheral I/O, and internal RAM to/from which DMA transfer is not being executed. • The CPU can access the internal RAM when DMA transfer is being executed between the external memory and on-chip peripheral I/O. • The CPU can access the internal RAM and on-chip peripheral I/O when DMA transfer is being executed between the external memory and external memory.	p. 588 <input type="checkbox"/>	

Chapter	Classification	Function	Details of Function	Cautions	Page
Chapter 15	Soft	DMA function (DMA controller)	Registers/bits that must not be rewritten during DMA operation	Set the following registers at the following timing when a DMA operation is not under execution. [Registers] • DSA _n H, DSA _n L, DDA _n H, DDA _n L, DBC _n , and DADC _n registers • DTFR _n .IFC _n 5 to DTFR _n .IFC _n 0 bits [Timing of setting] • Period from after reset to start of the first DMA transfer • Time after channel initialization to start of DMA transfer • Period from after completion of DMA transfer (TC _n bit = 1) to start of the next DMA transfer	p. 588 <input type="checkbox"/>
			DSA _n H register DDA _n H register DADC _n register DCHC _n register	Be sure to set the following register bits to 0. • Bits 14 to 10 of DSA _n H register • Bits 14 to 10 of DDA _n H register • Bits 15, 13 to 8, and 3 to 0 of DADC _n register • Bits 6 to 3 of DCHC _n register	p. 588 <input type="checkbox"/>
			DMA start factor	Do not start two or more DMA channels with the same start factor. If two or more channels are started with the same factor, DMA for which a channel has already been set may be started or a DMA channel with a lower priority may be acknowledged earlier than a DMA channel with a higher priority. The operation cannot be guaranteed.	p. 588 <input type="checkbox"/>
			Read values of DSA _n and DDA _n registers	Values in the middle of updating may be read from the DSA _n and DDA _n registers during DMA transfer (n = 0 to 3). For example, if the DSA _n H register and then the DSA _n L register are read when the DMA transfer source address (DSA _n register) is 0000FFFFH and the count direction is incremental (DADC _n .SAD1 and DADC _n .SAD0 bits = 00), the value of the DSA _n register differs as follows, depending on whether DMA transfer is executed immediately after the DSA _n H register is read. (a) If DMA transfer does not occur while DSA _n register is read <1> Read value of DSA _n H register: DSA _n H = 0000H <2> Read value of DSA _n L register: DSA _n L = FFFFH (b) If DMA transfer occurs while DSA _n register is read <1> Read value of DSA _n H register: DSA _n H = 0000H <2> Occurrence of DMA transfer <3> Incrementing DSA _n register: DSA _n = 00100000H <4> Read value of DSA _n L register: DSA _n L = 0000H	p. 589 <input type="checkbox"/>
Chapter 16	Soft	Interrupt/exception processing function	Non-maskable interrupts	For the non-maskable interrupt servicing executed by the non-maskable interrupt request signal (INTWDT2), see 16.2.2 (2) From INTWDT2 signal.	p. 594 <input type="checkbox"/>
				When the EP and NP bits are changed by the LDSR instruction during non-maskable interrupt servicing, in order to restore the PC and PSW correctly during recovery by the RETI instruction, it is necessary to set the EP bit back to 0 and the NP bit back to 1 using the LDSR instruction immediately before the RETI instruction.	p. 597 <input type="checkbox"/>
			Maskable interrupt	When the EP and NP bits are changed by the LDSR instruction during maskable interrupt servicing, in order to restore the PC and PSW correctly during recovery by the RETI instruction, it is necessary to set the EP bit back to 0 and the NP bit back to 0 using the LDSR instruction immediately before the RETI instruction.	p. 601 <input type="checkbox"/>
			Multiple interrupt	To perform multiple interrupt servicing, the values of the EIPC and EIPSW registers must be saved before executing the EI instruction. When returning from multiple interrupt servicing, restore the values of EIPC and EIPSW after executing the DI instruction.	pp. 603 to 605 <input type="checkbox"/>

Chapter	Chapter Classification	Function	Details of Function	Caution	Page
Chapter 16	Soft	Interrupt/exception processing function	Interrupt control register	Disable interrupts (DI) or mask the interrupt to read the xxICn.xxIFn bit. If the xxIFn bit is read while interrupts are enabled (EI) or while the interrupt is unmasked, the correct value may not be read when acknowledging an interrupt and reading the bit conflict.	p. 606 <input type="checkbox"/>
				The flag xxIFn is reset automatically by the hardware if an interrupt request signal is acknowledged.	p. 606 <input type="checkbox"/>
			IMR0 to IMR4 registers	The device file defines the xxICn.xxMKn bit as a reserved word. If a bit is manipulated using the name of xxMKn, the contents of the xxICn register, instead of the IMRm register, are rewritten (as a result, the contents of the IMRm register are also rewritten).	p. 608 <input type="checkbox"/>
				To read bits 8 to 15 of the IMR0 to IMR4 registers in 8-bit or 1-bit units, specify them as bits 0 to 7 of IMR0H to IMR4H registers.	p. 609 <input type="checkbox"/>
				Set bits 15 to 10 of the IMR4 register, bits 8 to 5 of the IMR3 register, and bits 7 to 4 of the IMR2 register to 1. If the setting of these bits is changed, the operation is not guaranteed.	p. 609 <input type="checkbox"/>
			ISPR register	If an interrupt is acknowledged while the ISPR register is being read in the interrupt enabled (EI) status, the value of the ISPR register after the bits of the register have been set by acknowledging the interrupt may be read. To accurately read the value of the ISPR register before an interrupt is acknowledged, read the register while interrupts are disabled (DI).	p. 610 <input type="checkbox"/>
			Restoration from software exception processing	When the EP and NP bits are changed by the LDSR instruction during the software exception processing, in order to restore the PC and PSW correctly during recovery by the RETI instruction, it is necessary to set the EP bit back to 1 and the NP bit back to 0 using the LDSR instruction immediately before the RETI instruction.	p. 613 <input type="checkbox"/>
			Illegal opcode definition	Since it is possible to assign this instruction to an illegal opcode in the future, it is recommended that it not be used.	p. 615 <input type="checkbox"/>
			Restoration from illegal opcode	DBPC and DBPSW can be accessed only during the interval between the execution of the illegal opcode and the DBRET instruction.	p. 616 <input type="checkbox"/>
			Restoration from debug trap	DBPC and DBPSW can be accessed only during the interval between the execution of the DBTRAP instruction and the DBRET instruction.	p. 618 <input type="checkbox"/>
			INTF0, INTR0 registers	When the function is changed from the external interrupt function (alternate function) to the port function, an edge may be detected. Therefore, clear the INTF0n and INTR0n bits to 00, and then set the port mode.	p. 620 <input type="checkbox"/>
				Be sure to clear the INTF0n and INTR0n bits to 00 if the corresponding pin is not used as the NMI or INTP0 to INTP3 pins.	p. 620 <input type="checkbox"/>
			INTF1, INTR1 registers	When the function is changed from the external interrupt function (alternate function) to the port function, an edge may be detected. Therefore, clear the INTF1n and INTR1n bits to 00, and then set the port mode.	p. 621 <input type="checkbox"/>
				Be sure to clear the INTF1n and INTR1n bits to 00 if the corresponding pin is not used as the INTP9 and INTP10 pins.	p. 621 <input type="checkbox"/>
			INTF3, INTR3 registers	When the function is changed from the external interrupt function (alternate function) to the port function, an edge may be detected. Therefore, clear the INTF3n and INTR3n bits to 00, and then set the port mode.	p. 622 <input type="checkbox"/>
				When bits 8 to 15 of the INTF3 and INTR3 registers are read or written in 8-bit or 1-bit units, specify them as bits 0 to 7 of the INTF3H and INTR3H registers.	p. 622 <input type="checkbox"/>
				Be sure to clear the INTF3n and INTR3n bits to 00 if the corresponding pin is not used as the INTP7 and INTP8 pins.	p. 622 <input type="checkbox"/>

Chapter	Classification	Function	Details of Function	Cautions	Page
Chapter 16	Soft	Interrupt/exception processing function	INTF6, INTR6 registers	When the function is changed from the external interrupt function (alternate function) to the port function, an edge may be detected. Therefore, clear the INTF6n and INTR6n bits to 00, and then set the port mode.	p. 623 <input type="checkbox"/>
				Be sure to clear the INTF6n and INTR6n bits to 00 if the corresponding pin is not used as the NMI or INTP11 to INTP13 pins.	p. 623 <input type="checkbox"/>
			INTF8, INTR8 registers	When the function is changed from the external interrupt function (alternate function) to the port function, an edge may be detected. Therefore, clear the INTF80 and INTR80 bits to 00, and then set the port mode.	p. 624 <input type="checkbox"/>
				The INTP14 pin and RXDA3 pin are alternate-function pins. When using the pin as the RXDA3 pin, disable edge detection for the INTP14 alternate-function pin (clear the INTF8.INTF80 bit and the INTR8.INTR80 bit to 0). When using the pin as the INTP14 pin, stop UARTA3 reception (clear the UA3CTL0.UA3RXE bit to 0).	p. 624 <input type="checkbox"/>
				Be sure to clear the INTF80 and INTR80 bits to 00 if the corresponding pin is not used as INTP14 pin.	p. 624 <input type="checkbox"/>
			INTF9H, INTR9H registers	When the function is changed from the external interrupt function (alternate function) to the port function, an edge may be detected. Therefore, clear the INTF9n and INTR9n bits to 0, and then set the port mode.	p. 625 <input type="checkbox"/>
				Be sure to clear the INTF9n and INTR9n bits to 00 if the corresponding pin is not used as INTP4 to INTP6 pins.	p. 625 <input type="checkbox"/>
			NFC register	Time equal to the sampling clock × the number of times set by the NFSTS bit is required until the digital noise eliminator is initialized after the sampling clock has been changed. If the valid edge of INTP3 is input after the sampling clock has been changed and before the time of the sampling clock × the number of times set by the NFSTS bit passes, therefore, the interrupt request signal may be generated. Therefore, note the following points when using the interrupt and DMA functions. <ul style="list-style-type: none"> When using the interrupt function, after the sampling clock × the number of times set by the NFSTS bit have elapsed, enable interrupts after the interrupt request flag (PIC3.PIF3 bit) has been cleared. When using the DMA function (started by INTP3), enable DMA after the sampling clock × the number of times set by the NFSTS bit have elapsed. 	p. 626 <input type="checkbox"/>
			NMI pin	The NMI pin alternately functions as the P02 pin. It functions as a normal port pin after reset. To enable the NMI pin, validate the NMI pin with the PMCO register. The initial setting of the NMI pin is “No edge detected”. Select the NMI pin valid edge using the INTF0 and INTR0 registers.	p. 629 <input type="checkbox"/>
			Chapter 17	Soft	Key interrupt function
If the KRM register is changed, an interrupt request signal (INTKR) may be generated. To prevent this, change the KRM register after disabling interrupts (DI) or masking, then clear the interrupt request flag (KRIC.KRIF bit) to 0, and enable interrupts (EI) or clear the mask.	p. 631 <input type="checkbox"/>				
KR0 to KR7 pins	If a low level is input to any of the KR0 to KR7 pins, the INTKR signal is not generated even if the falling edge of another pin is input.	p. 631 <input type="checkbox"/>			
RXDA1 pin KR7 pin	The RXDA1 and KR7 pins must not be used at the same time. To use the RXDA1 pin, do not use the KR7 pin. To use the KR7 pin, do not use the RXDA1 pin (it is recommended to set the PFC91 bit to 1 and clear PFCE91 bit to 0).	p. 631 <input type="checkbox"/>			
Use the key interrupt function	To use the key interrupt function, be sure to set the port pin to the key return pin and then enable the operation with the KRM register. To switch from the key return pin to the port pin, disable the operation with the KRM register and then set the port pin.	p. 631 <input type="checkbox"/>			

Chapter	Chapter Classification	Function	Details of Function	Cautions	Page
Chapter 18	Soft	Standby function	PSC register	Before setting the IDLE1, IDLE2, STOP, or sub-IDLE mode, set the PSMR.PSM1 and PSMR.PSM0 bits and then set the STP bit.	p. 634 <input type="checkbox"/>
				Settings of the NMI1M, NMI0M, and INTM bits are invalid when HALT mode is released.	p. 634 <input type="checkbox"/>
				If the NMI1M, NMI0M, or INTM bit is set to 1 at the same time the STP bit is set to 1, the setting of NMI1M, NMI0M, or INTM bit becomes invalid. If there is an unmasked interrupt request signal being held pending when the IDLE1/IDLE2/STOP mode is set, set the bit corresponding to the interrupt request signal (NMI1M, NMI0M, or INTM) to 1, and then set the STP bit to 1.	p. 634 <input type="checkbox"/>
			PSMR register	Be sure to clear bits 2 to 7 to "0".	p. 635 <input type="checkbox"/>
				The PSM0 and PSM1 bits are valid only when the PSC.STP bit is 1.	p. 635 <input type="checkbox"/>
			OSTS register	The wait time following release of the STOP mode does not include the time until the clock oscillation starts ("a" in the figure below) following release of the STOP mode, regardless of whether the STOP mode is released by reset or the occurrence of an interrupt request signal.	p. 636 <input type="checkbox"/>
				Be sure to clear bits 3 to 7 to "0".	p. 636 <input type="checkbox"/>
				The oscillation stabilization time following reset release is $2^{16}/f_x$ (because the initial value of the OSTS register = 06H).	p. 636 <input type="checkbox"/>
			HALT mode	Insert five or more NOP instructions after the HALT instruction.	p. 637 <input type="checkbox"/>
				If the HALT instruction is executed while an unmasked interrupt request signal is being held pending, the status shifts to HALT mode, but the HALT mode is then released immediately by the pending interrupt request.	p. 637 <input type="checkbox"/>
			IDLE1 mode	Insert five or more NOP instructions after the instruction that stores data in the PSC register to set the IDLE1 mode.	p. 639 <input type="checkbox"/>
				If the IDLE1 mode is set while an unmasked interrupt request signal is being held pending, the IDLE1 mode is released immediately by the pending interrupt request.	p. 639 <input type="checkbox"/>
			Releasing IDLE1 mode	An interrupt request signal that is disabled by setting the PSC.NMI1M, PSC.NMI0M, and PSC.INTM bits to 1 becomes invalid and IDLE1 mode is not released.	p. 639 <input type="checkbox"/>
				If eliminating digital noise is selected by using the NFC register and if the sampling clock is selected from $f_{xx}/64$, $f_{xx}/128$, $f_{xx}/256$, $f_{xx}/512$, and $f_{xx}/1024$, the IDLE1 mode cannot be released by the interrupt request signal of the INTP3 pin. For details, see 16.6.2 (7) Noise elimination control register (NFC).	p. 639 <input type="checkbox"/>
			IDLE2 mode	Insert five or more NOP instructions after the instruction that stores data in the PSC register to set the IDLE2 mode.	p. 641 <input type="checkbox"/>
				If the IDLE2 mode is set while an unmasked interrupt request signal is being held pending, the IDLE2 mode is released immediately by the pending interrupt request.	p. 641 <input type="checkbox"/>
			Releasing IDLE2 mode	The interrupt request signal that is disabled by setting the PSC.NMI1M, PSC.NMI0M, and PSC.INTM bits to 1 becomes invalid and IDLE2 mode is not released.	p. 641 <input type="checkbox"/>
				If eliminating digital noise is selected by using the NFC register and if the sampling clock is selected from $f_{xx}/64$, $f_{xx}/128$, $f_{xx}/256$, $f_{xx}/512$, and $f_{xx}/1024$, the IDLE2 mode cannot be released by the interrupt request signal of the INTP3 pin. For details, see 16.6.2 (7) Noise elimination control register (NFC).	p. 641 <input type="checkbox"/>
			STOP mode	Insert five or more NOP instructions after the instruction that stores data in the PSC register to set the STOP mode.	p. 644 <input type="checkbox"/>
				If the STOP mode is set while an unmasked interrupt request signal is being held pending, the STOP mode is released immediately by the pending interrupt request.	p. 644 <input type="checkbox"/>

Chapter	Classification	Function	Details of Function	Cautions	Page
Chapter 18	Soft	Standby function	Releasing STOP mode	The interrupt request that is disabled by setting the PSC.NMI1M, PSC.NMI0M, and PSC.INTM bits to 1 becomes invalid and STOP mode is not released.	p. 644 <input type="checkbox"/>
				If eliminating digital noise is selected by using the NFC register and if the sampling clock is selected from $f_{xx}/64$, $f_{xx}/128$, $f_{xx}/256$, $f_{xx}/512$, and $f_{xx}/1024$, the STOP mode cannot be released by the interrupt request signal of the INTP3 pin. For details, see 16.6.2 (7) Noise elimination control register (NFC).	p. 644 <input type="checkbox"/>
			Operating status in STOP mode	If the STOP mode is set while the A/D converter is operating, the A/D converter is automatically stopped and starts operating again after the STOP mode is released. However, in that case, the A/D conversion results after the STOP mode is released are invalid. All the A/D conversion results before the STOP mode is set are invalid.	p. 645 <input type="checkbox"/>
				Even if the STOP mode is set while the A/D converter is operating, the power consumption is reduced equivalently to when the A/D converter is stopped before the STOP mode is set.	p. 645 <input type="checkbox"/>
			Subclock operation mode	When manipulating the CK3 bit, do not change the set values of the PCC.CK2 to PCC.CK0 bits (using a bit manipulation instruction to manipulate the bit is recommended). For details of the PCC register, see 6.3 (1) Processor clock control register (PCC).	p. 647 <input type="checkbox"/>
				If the following conditions are not satisfied, change the CK2 to CK0 bits so that the conditions are satisfied and set the subclock operation mode. Internal system clock (f_{CLK}) > Subclock (f_{XT}) × 4	p. 647 <input type="checkbox"/>
			Releasing subclock operation mode	When manipulating the CK3 bit, do not change the set values of the CK2 to CK0 bits (using a bit manipulation instruction to manipulate the bit is recommended). For details of the PCC register, see 6.3 (1) Processor clock control register (PCC).	p. 647 <input type="checkbox"/>
			Operating status in subclock operation mode	Be sure to stop the PLL (PLLCTL.PLLON = 0) before stopping the main clock.	p. 648 <input type="checkbox"/>
				When the CPU is operating on the subclock and main clock oscillation is stopped, accessing a register in which a wait occurs is disabled. If a wait is generated, it can be released only by reset (see 3.4.8 (2)).	p. 648 <input type="checkbox"/>
			Sub-IDLE mode	Following the store instruction to set the PSC register to the sub-IDLE mode, insert five or more NOP instructions.	p.649 <input type="checkbox"/>
				If the sub-IDLE mode is set while an unmasked interrupt request signal is being held pending, the sub-IDLE mode is then released immediately by the pending interrupt request.	p. 649 <input type="checkbox"/>
			Releasing sub-IDLE mode	The interrupt request signal that is disabled by setting the PSC.NMI1M, PSC.NMI0M, and PSC.INTM bits to 1 becomes invalid and sub-IDLE mode is not released.	p. 650 <input type="checkbox"/>
				When the sub-IDLE mode is released, 12 cycles of the subclock (about 366 μ s) elapse from when the interrupt request signal that releases the sub-IDLE mode is generated to when the mode is released.	p. 650 <input type="checkbox"/>
				If eliminating digital noise is selected by using the NFC register and if the sampling clock is selected from $f_{xx}/64$, $f_{xx}/128$, $f_{xx}/256$, $f_{xx}/512$, and $f_{xx}/1024$, the sub-IDLE mode cannot be released by the interrupt request signal of the INTP3 pin. For details, see 16.6.2 (7) Noise elimination control register (NFC).	p. 650 <input type="checkbox"/>
				Operating status in sub-IDLE mode	Be sure to stop the PLL (PLLCTL.PLLON bit = 0) before stopping the main clock.
			To realize low power consumption, stop the A/D converter before shifting to the sub-IDLE mode.		p. 651 <input type="checkbox"/>
Chapter 19	Soft	Reset function	Emergency operation mode	When the CPU is being operated with the internal oscillation clock, access to the register in which a wait state is generated is prohibited. For the register in which a wait state is generated, see 3.4.8 (2) Accessing specific on-chip peripheral I/O registers.	p. 652 <input type="checkbox"/>

Chapter	Chapter Classification	Function	Details of Function	Cautions	Page	
Chapter 19	Soft	Reset function	RESF register	Only "0" can be written to each bit of this register. If writing "0" conflicts with setting the flag (occurrence of reset), setting the flag takes precedence.	p. 653 <input type="checkbox"/>	
			Internal RAM status after reset	The firmware of the V850ES/HJ2 uses a part of the internal RAM after the internal system reset status has been released because it supports a boot swap function. Therefore, the contents of some internal RAM areas are not retained after power-on reset. For details, see 19.4 Operation After Reset Release.	pp. 654, 656 <input type="checkbox"/>	
	Hard, Soft		Hardware status on $\overline{\text{RESET}}$ pin input	When the power is turned on, the following pin may output an undefined level temporarily even during reset. • P53/KR3/TIQ00/TOQ00/DDO pin	p. 654 <input type="checkbox"/>	
				The OCDM register is initialized by the $\overline{\text{RESET}}$ pin input. Therefore, note with caution that, if a high level is input to the P05/ $\overline{\text{DRST}}$ pin after a reset release before the OCDM.OCDM0 bit is cleared, the on-chip debug mode is entered. For details, see CHAPTER 4 PORT FUNCTIONS.	p. 654 <input type="checkbox"/>	
Chapter 20	Soft	Clock monitor	CLM register	Once the CLME bit has been set to 1, it cannot be cleared to 0 by any means other than reset.	p. 661 <input type="checkbox"/>	
				When a reset by the clock monitor occurs, the CLME bit is cleared to 0 and the RESF.CLMRF bit is set to 1.	p. 661 <input type="checkbox"/>	
			Internal oscillator	The internal oscillator can be stopped by using the option byte function (see CHAPTER 25) to enable the internal oscillator to stop, and setting the RCM.RSTOP bit to 1.	p. 662 <input type="checkbox"/>	
				The clock monitor is stopped while the internal oscillator is stopped.	p. 662 <input type="checkbox"/>	
Chapter 22	Soft	Low-voltage detector (LVI)	LVIM register	After setting the LVION bit to 1, wait for 0.2 ms (MAX.) before checking the voltage using the LVIF bit.	p. 668 <input type="checkbox"/>	
				The value of the LVIF flag is output as the output signal INTLVI when the LVION bit = 1 and LVIMD bit = 0.	p. 668 <input type="checkbox"/>	
				Be sure to clear bits 2 to 6 to "0".	p. 668 <input type="checkbox"/>	
				The low-voltage detector cannot be stopped until a reset request due to something other than low-voltage detection is generated after the LVIM.LVION and LVIM.LVIMD bits are set to 1.	p. 668 <input type="checkbox"/>	
			LVIS register	This register cannot be written until a reset request due to something other than low-voltage detection is generated after the LVIM.LVION and LVIM.LVIMD bits are set to 1.	p. 669 <input type="checkbox"/>	
				Be sure to clear bits 1 to 7 to "0".	p. 669 <input type="checkbox"/>	
			RAMS register	The following shows the specific sequence after reset. • Setting conditions: Detection of voltage lower than detection level Set by instruction Generation of reset signal by watchdog timer overflow Generation of reset signal while RAM is being accessed Generation of reset signal by clock monitor • Clearing condition: Writing of 0 in specific sequence	p. 669 <input type="checkbox"/>	
				To use for internal reset signal	If the LVIMD bit is set to 1, the contents of the LVIM and LVIS registers cannot be changed until a reset request other than LVI is generated.	p. 670 <input type="checkbox"/>
				PEMU1 register	This bit is not automatically cleared.	p. 674 <input type="checkbox"/>
Chapter 24	Hard	Flash memory	Communication mode	Process the pins not shown in compliance with the processing of unused pins (see 2.4 Pin I/O Circuit Types and Recommended Connection of Unused Pins). Connect a resistor of 1 k Ω to 10 k Ω as necessary.	pp. 683, 684 <input type="checkbox"/>	
				Do not input a high level to the $\overline{\text{DRST}}$ pin.	pp. 683, 684 <input type="checkbox"/>	
		PG-FP4	Wire these pins as shown in Figure 24-6, or connect them to GND via pull-down resistor on board.	p. 684 <input type="checkbox"/>		

Chapter	Classification	Function	Details of Function	Cautions	Page
Chapter 24	Hard	Flash memory	PG-FP4	Clock cannot be supplied via the CLK pin of the flash programmer. Create an oscillator on board and supply the clock.	p. 684 <input type="checkbox"/>
			FA-144GJ-UEN-A	Be sure to connect the REGC pin to GND via a 4.7 μ F (recommended value) capacitor.	p. 685 <input type="checkbox"/>
				A clock cannot be supplied from the CLK pin of the flash programmer. Create an oscillator on the board and supply the clock from that oscillator.	p. 685 <input type="checkbox"/>
				Wire the FLMD1 pin as shown below, or connect it to GND on board via a pull-down resistor.	p. 687 <input type="checkbox"/>
				Supply a clock by creating an oscillator on the flash writing adapter (enclosed by the broken lines).	p. 687 <input type="checkbox"/>
				Do not input a high level to the $\overline{\text{DRST}}$ pin.	p. 687 <input type="checkbox"/>
			Selection of communication mode	When UARTA0 is selected, the receive clock is calculated based on the reset command sent from the dedicated flash programmer after receiving the FLMD0 pulse.	p. 689 <input type="checkbox"/>
			FLMD1 pin connection	If the V_{DD} signal is input to the FLMD1 pin from another device during on-board writing and immediately after reset, isolate this signal.	p. 691 <input type="checkbox"/>
FLMD0 pin connection	Make sure that the FLMD0 pin is at 0 V when reset is released.	p. 698 <input type="checkbox"/>			
Chapter 25	Hard	Option byte function	Sample program for CA850	Be sure to write 16-byte space for this section. Linker occurs an error when less than 6 bytes. Error message: F4112: illegal "OPTION_BYTES" section size.	p. 701 <input type="checkbox"/>
Chapter 26	Hard, soft	On-chip debug function	OCDM register	When using the DDI, DDO, DCK, and DMS pins not as on-chip debug pins but as port pins after external reset, any of the following actions must be taken. <ul style="list-style-type: none"> • Input a low level to the P05/INTP2/$\overline{\text{DRST}}$ pin. • Set the OCDM0 bit. In this case, take the following actions. <ul style="list-style-type: none"> <1> Clear the OCDM0 bit to 0. <2> Fix the P05/INTP2/$\overline{\text{DRST}}$ pin to low level until <1> is completed. 	p. 706 <input type="checkbox"/>
				The $\overline{\text{DRST}}$ pin has an on-chip pull-down resistor. This resistor is disconnected when the OCDM0 flag is cleared to 0.	p. 706 <input type="checkbox"/>
	Soft	Cautions (DUC)	If a reset signal is input (from the target system or a reset signal from an internal reset source) during RUN (program execution), the break function may malfunction.	p. 708 <input type="checkbox"/>	
			Even if the reset signal is masked by the mask function, the I/O buffer (port pin) may be reset if a reset signal is input from a pin.	p. 708 <input type="checkbox"/>	
			Because a software breakpoint set in the internal flash memory is made temporarily invalid by target reset or internal reset generated by watchdog timer 2. The breakpoint becomes valid again when a hardware break or forced break occurs, but a software break does not occur until then.	p. 708 <input type="checkbox"/>	
			Pin reset during a break is masked and the CPU and peripheral I/O are not reset. If pin reset or internal reset is generated as soon as the flash memory is rewritten by DMM or read by the RAM monitor function while the user program is being executed, the CPU and peripheral I/O may not be correctly reset.	p. 708 <input type="checkbox"/>	
			When the following conditions (a) and (b) are satisfied and operation is stopped on the emulator (IECUBE, MINICUBE) due to a break, etc., watchdog timer 2 does not stop and a reset or non-maskable interrupt occurs. When a reset occurs, the debugger hangs up. (a) The main clock or subclock is used as the source clock for watchdog timer 2. (b) The internal oscillation clock is stopped (RCM.RSTOP bit = 1). To avoid this, perform either of the following. <ul style="list-style-type: none"> • When an emulator is used, use the internal oscillation clock as the source clock. • When an emulator is used, do not stop the internal oscillator. 	p. 708 <input type="checkbox"/>	

Chapter	Classification	Function	Details of Function	Caution	Page
Chapter 26	Soft	On-chip debug function	Cautions (DUC)	When the following conditions (a) and (b) are satisfied and operation is stopped on the emulator (IECUBE, MINICUBE) due to a break, etc., TMM does not stop even if the peripheral break function is set to "Break". (a) Either the INTWT, internal oscillation clock (fn/8), or subclock are selected as the TMM source clock. (b) The main clock is stopped. To avoid this, perform either of the following. • When an emulator is used, the main clock (fxx, fxx/2, fxx/4, fxx/64, fxx/512) is used as the source clock. • When an emulator is used, disable the main clock oscillation.	p. 708 <input type="checkbox"/>
				In the on-chip debug mode, the DDO pin is forcibly set to the high-level output.	p. 708 <input type="checkbox"/>
	Hard		Cautions (other than DUC)	Do not mount a device that was used for debugging on a mass-produced product, because the flash memory was rewritten during debugging and the number of rewrites of the flash memory cannot be guaranteed. Moreover, do not embed the debug monitor program into mass-produced products.	p. 717 <input type="checkbox"/>
				Forced breaks cannot be executed if one of the following conditions is satisfied. • Interrupts are disabled (DI) • Interrupts issued for the serial interface, which is used for communication between MINICUBE2 and the target device, are masked • Standby mode is entered while standby release by a maskable interrupt is prohibited • Mode for communication between MINICUBE2 and the target device is UARTA0, and the main clock has been stopped	p. 717 <input type="checkbox"/>
				The pseudo RRM function and DMM function do not operate if one of the following conditions is satisfied. • Interrupts are disabled (DI) • Interrupts issued for the serial interface, which is used for communication between MINICUBE2 and the target device, are masked • Standby mode is entered while standby release by a maskable interrupt is prohibited • Mode for communication between MINICUBE2 and the target device is UARTA0, and the main clock has been stopped • Mode for communication between MINICUBE2 and the target device is UARTA0, and a clock different from the one specified in the debugger is used for communication	p. 717 <input type="checkbox"/>
				The standby mode is released by the pseudo RRM function and DMM function if one of the following conditions is satisfied. • Mode for communication between MINICUBE2 and the target device is CSIB0 • Mode for communication between MINICUBE2 and the target device is UARTA0, and the main clock has been supplied.	p. 717 <input type="checkbox"/>
				Peripheral I/O registers that requires a specific sequence cannot be written with the DMM function.	p. 717 <input type="checkbox"/>
				Chip erase and writing of the monitor program for debugging are conducted when the debugger is first started up, but this operation takes about a dozen seconds.	p. 717 <input type="checkbox"/>
				When CPU operation clock settings are changed with the debugger, the debugger rewrites the monitor program. The time required is the same as that mentioned just above in (6). For the integrated debugger ID850QB, this applies when settings of the Clock column in the configuration dialog box are changed.	p. 717 <input type="checkbox"/>
				If a space where the debug monitor program is allocated is rewritten by flash self programming, the debugger can no longer operate normally.	p. 717 <input type="checkbox"/>
Soft	Security ID	After the flash memory is erased, 1 is written to the entire area.	p. 718 <input type="checkbox"/>		

Chapter	Classification	Function	Details of Function	Cautions	Page
Chapter 27	Hard	Electrical specifications	Absolute maximum ratings	Be sure not to exceed the absolute maximum ratings (MAX. value) of each supply voltage.	p. 721 <input type="checkbox"/>
				Do not directly connect the output (or I/O) pins of IC products to each other, or to VDD, VCC and GND.	pp. 721, 722 <input type="checkbox"/>
				Product quality may suffer if the absolute maximum rating is exceeded even momentarily for any parameter. That is, the absolute maximum ratings are rated values at which the product is on the verge of suffering physical damage, and therefore the product must be used under conditions that ensure that the absolute maximum ratings are not exceeded. The ratings and conditions indicated for DC characteristics and AC characteristics represent the quality assurance range during normal operation.	pp. 721, 722 <input type="checkbox"/>
				When directly connecting to the external circuit the pin that becomes high impedance state, the timing must be designed such that the output conflict is avoided on the external circuit.	pp. 721, 722 <input type="checkbox"/>
	Soft	Main clock oscillator characteristics	When using the main clock oscillator, wire as follows in the area enclosed by the broken lines in the above figures to avoid an adverse effect from wiring capacitance. <ul style="list-style-type: none"> • Keep the wiring length as short as possible. • Do not cross the wiring with the other signal lines. • Do not route the wiring near a signal line through which a high fluctuating current flows. • Always make the ground point of the oscillator capacitor the same potential as V_{SS}. • Do not ground the capacitor to a ground pattern through which a high current flows. • Do not fetch signals from the oscillator. 	When the main clock is stopped and the subclock is operating, wait until the oscillation stabilization time has been secured by the program before switching back to the main clock.	p. 724 <input type="checkbox"/>
				When using the subclock oscillator, wire as follows in the area enclosed by the broken lines in the above figures to avoid an adverse effect from wiring capacitance. <ul style="list-style-type: none"> • Keep the wiring length as short as possible. • Do not cross the wiring with the other signal lines. • Do not route the wiring near a signal line through which a high fluctuating current flows. • Always make the ground point of the oscillator capacitor the same potential as V_{SS}. • Do not ground the capacitor to a ground pattern through which a high current flows. • Do not fetch signals from the oscillator. 	The subclock oscillator is designed as a low-amplitude circuit for reducing current consumption, and is more prone to malfunction due to noise than the main clock oscillator. Particular care is therefore required with the wiring method when the subclock is used.
	Hard	Subclock oscillator characteristics	Voltage Regulator Characteristics	Be sure rise up V _{DD} as $\overline{\text{RESET}} = V_{SS} = 0 \text{ V}$.	p. 726 <input type="checkbox"/>
				Data retention characteristics	Shifting to STOP mode and restoring from STOP mode must be performed within the rated operating range.

Chapter	Classification	Function	Details of Function	Cautions	Page
Chapter 27	Hard	Electrical specifications	AC characteristics	If the load capacitance exceeds 50 pF due to the circuit configuration, bring the load capacitance of the device to 50 pF or less by inserting a buffer or by some other means.	p. 732 <input type="checkbox"/>
			Programming characteristics	When writing initially to shipped products, it is counted as one rewrite for both "erase to write" and "write only". Example (P: Write, E: Erase) Shipped product →P→E→P→E→P: 3 rewrites Shipped product →E→P→E→P→E→P: 3 rewrites	p. 746 <input type="checkbox"/>
Chapter 29	Hard	Recommended soldering conditions	Recommended soldering conditions	Do not use different soldering methods together (except for partial heating).	p. 748 <input type="checkbox"/>
Appendix A	Soft	Development tool	RX850, RX850 Pro	To purchase the RX850 or RX850 Pro, first fill in the purchase application form and sign the license agreement.	p. 757 <input type="checkbox"/>
Appendix C	Soft	Instruction set list	Instruction set	Do not specify the same register for general-purpose registers reg1 and reg3.	p. 779 <input type="checkbox"/>

APPENDIX E REVISION HISTORY

E.1 Major Revisions in This Edition

(1/2)

Page	Description
p. 82	Addition of description to 3.4.7 Special registers
p. 190	Addition of 4.5.1 (b) Cautions on alternate-function mode (input)
p. 213	Modification of Figure 6-1 Clock Generator
p. 214	Modification of 6.2 (8) Prescaler 4
p. 220	Modification of Table 6-1 Operation Status of Each Clock
p. 224	Modification of 6.5.2 (4) Programmable clock mode register (PCLM)
p. 233	Modification of 7.3 (3) TMPn I/O control register 0 (TPnIOC0)
p. 256	Addition of Caution to Figure 7-11 Register Setting for Operation in External Event Count Mode
p. 277	Addition of Caution to Figure 7-22 Register Setting for Operation in One-Shot Pulse Output Mode
p. 319	Addition of Caution 2 to 7.7 (1) Selector operation control register 0 (SELCNT0)
p. 329	Modification of 8.4 (3) TMQn I/O control register 0 (TQnIOC0)
p. 355	Addition of Caution to Figure 8-11 Register Setting for Operation in External Event Count Mode
p. 379	Addition of Caution to Figure 8-22 Register Setting for Operation in One-Shot Pulse Output Mode
p. 448	Modification of Cautions 3, 4 in 11.3 (1) Watchdog timer mode register 2 (WDTM2)
p. 450	Modification of Caution 3 in 11.3 (2) Watchdog timer enable register (WDTE)
p. 458	Addition of Cautions to Table 12-2 Conversion Mode Setting Example
p. 463	Modification of explanation in 12.4 (7) Power-fail compare threshold value register (ADA0PFT)
p. 478	Modification of explanation in 12.6 (8) Reading ADA0CRn result
p. 479	Addition of 12.6 (10) Standby mode
p. 479	Addition of 12.6 (11) Rewriting registers and trigger input during the stabilization time
p. 479	Addition of explanation to 12.6 (13) A/D conversion result hysteresis characteristics
p. 489	Addition of explanation to 13.3 (1) UARTAn control register 0 (UAnCTL0)
p. 490	Addition of explanation to 13.3 (4) UARTAn option control register 0 (UAnOPT0)
p. 494	Addition of explanation to 13.4 (1) Reception complete interrupt request signal (INTUANR)
p. 500	Addition of Caution to 13.5.4 SBF reception
p. 521	Modification of Caution in 14.3 (1) CSIBn control register 0 (CBnCTL0)
p. 524	Modification of Caution in 14.3 (2) CSIBn control register 1 (CBnCTL1)
pp. 529 to 531	Modification of 14.5 Operation
p. 573	Modification of Note in 15.3 (6) DMA trigger factor registers 0 to 3 (DTFR0 to DTFR3)
p. 588	Modification of explanation in 15.13 (11) DMA start factor
p. 626	Modification of explanation in 16.6.2 (7) Noise elimination control register (NFC)
p. 634	Addition of Caution 3 to 18.2 (1) Power save control register (PSC)
p. 654	Modification of Note 1 in Table 19-1 Hardware Status on $\overline{\text{RESET}}$ Pin Input
p. 656	Modification of Note in Table 19-2 Hardware Status During Watchdog Timer 2 Reset Operation
p. 658	Addition of 19.4 Operation After Reset Release
p. 668	Addition of Caution 4 to 22.3 (1) Low-voltage detection register (LVIM)
p. 671	Modification of Figure 22-2 Operation Timing of Low-Voltage Detector (LVIMD Bit = 1)

Page	Description
p. 678	Modification of 24.2 Memory Configuration
p. 679	Addition of 24.3 Functional Outline
p. 683	Modification of transfer rate in 24.4.2 (1) UARTA0
p. 690	Modification of Table 24-7 Flash Memory Control Commands
p. 697	Addition of Figure 24-17 Standard Self Programming Flow
p. 699	Modification of Table 24-11 Internal Resources Used
p. 701	Addition of explanation in CHAPTER 25 OPTION BYTE FUNCTION
pp. 702 to 720	Modification of CHAPTER 26 ON-CHIP DEBUG FUNCTION
p. 726	Addition of Caution to 27.5 Voltage Regulator Characteristics
p. 748	Addition of CHAPTER 29 RECOMMENDED SOLDERING CONDITIONS
p. 749	Addition of APPENDIX A DEVELOPMENT TOOLS
p. 780	Addition of APPENDIX D LIST OF CAUTIONS

E.2 Revision History of Previous Editions

A history of the revisions up to this edition is shown below. “Applied to:” indicates the chapters to which the revision was applied.

Edition	Description	Applied to:
2nd	Modification of 2.6 Cautions	CHAPTER 2 PIN FUNCTIONS
	Modification of 3.4.6 Peripheral I/O registers	CHAPTER 3 CPU FUNCTION
	Modification of Table 4-7 Alternate-Function Pins of Port 5	CHAPTER 4 PORT FUNCTIONS
	Modification of Table 11-2 Watchdog Timer 2 Clock Selection	CHAPTER 11 FUNCTIONS OF WATCHDOG TIMER 2
	Modification of 12.4 (5) A/D conversion result registers n, nH (ADA0CRn, ADA0CRnH)	CHAPTER 12 A/D CONVERTER
	Addition of Caution to 16.5.1 (2) Restore	CHAPTER 16 INTERRUPT/EXCEPTION PROCESSING FUNCTION
	Modification of 27.6.2 Pin leakage current	CHAPTER 27 ELECTRICAL SPECIFICATIONS
	Modification of 27.8.2 (1) CLKOUT asynchronous	
	Modification of 27.9 (6) A/D converter	
Addition of APPENDIX C INSTRUCTION SET LIST	APPENDIX C INSTRUCTION SET LIST	

*For further information,
please contact:*

NEC Electronics Corporation

1753, Shimonumabe, Nakahara-ku,
Kawasaki, Kanagawa 211-8668,
Japan
Tel: 044-435-5111
<http://www.necel.com/>

[America]

NEC Electronics America, Inc.

2880 Scott Blvd.
Santa Clara, CA 95050-2554, U.S.A.
Tel: 408-588-6000
800-366-9782
<http://www.am.necel.com/>

[Europe]

NEC Electronics (Europe) GmbH

Arcadiastrasse 10
40472 Düsseldorf, Germany
Tel: 0211-65030
<http://www.eu.necel.com/>

Hanover Office

Podbielskistrasse 166 B
30177 Hannover
Tel: 0 511 33 40 2-0

Munich Office

Werner-Eckert-Strasse 9
81829 München
Tel: 0 89 92 10 03-0

Stuttgart Office

Industriestrasse 3
70565 Stuttgart
Tel: 0 711 99 01 0-0

United Kingdom Branch

Cygnus House, Sunrise Parkway
Linford Wood, Milton Keynes
MK14 6NP, U.K.
Tel: 01908-691-133

Succursale Française

9, rue Paul Dautier, B.P. 52
78142 Velizy-Villacoublay Cédex
France
Tel: 01-3067-5800

Sucursal en España

Juan Esplandiu, 15
28007 Madrid, Spain
Tel: 091-504-2787

Tyskland Filial

Täby Centrum
Entrance S (7th floor)
18322 Täby, Sweden
Tel: 08 638 72 00

Filiale Italiana

Via Fabio Filzi, 25/A
20124 Milano, Italy
Tel: 02-667541

Branch The Netherlands

Steijgerweg 6
5616 HS Eindhoven
The Netherlands
Tel: 040 265 40 10

[Asia & Oceania]

NEC Electronics (China) Co., Ltd

7th Floor, Quantum Plaza, No. 27 ZhiChunLu Haidian
District, Beijing 100083, P.R.China
Tel: 010-8235-1155
<http://www.cn.necel.com/>

NEC Electronics Shanghai Ltd.

Room 2511-2512, Bank of China Tower,
200 Yincheng Road Central,
Pudong New Area, Shanghai P.R. China P.C:200120
Tel: 021-5888-5400
<http://www.cn.necel.com/>

NEC Electronics Hong Kong Ltd.

Unit 1601-1613, 16/F., Tower 2, Grand Century Place,
193 Prince Edward Road West, Mongkok, Kowloon, Hong Kong
Tel: 2886-9318
<http://www.hk.necel.com/>

NEC Electronics Taiwan Ltd.

7F, No. 363 Fu Shing North Road
Taipei, Taiwan, R. O. C.
Tel: 02-8175-9600
<http://www.tw.necel.com/>

NEC Electronics Singapore Pte. Ltd.

238A Thomson Road,
#12-08 Novena Square,
Singapore 307684
Tel: 6253-8311
<http://www.sg.necel.com/>

NEC Electronics Korea Ltd.

11F., Samik Lavied'or Bldg., 720-2,
Yeoksam-Dong, Kangnam-Ku,
Seoul, 135-080, Korea
Tel: 02-558-3737
<http://www.kr.necel.com/>