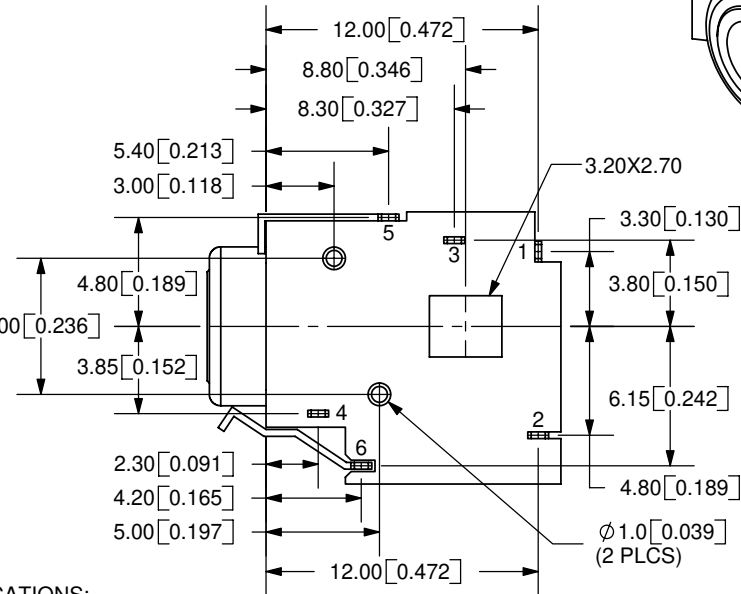
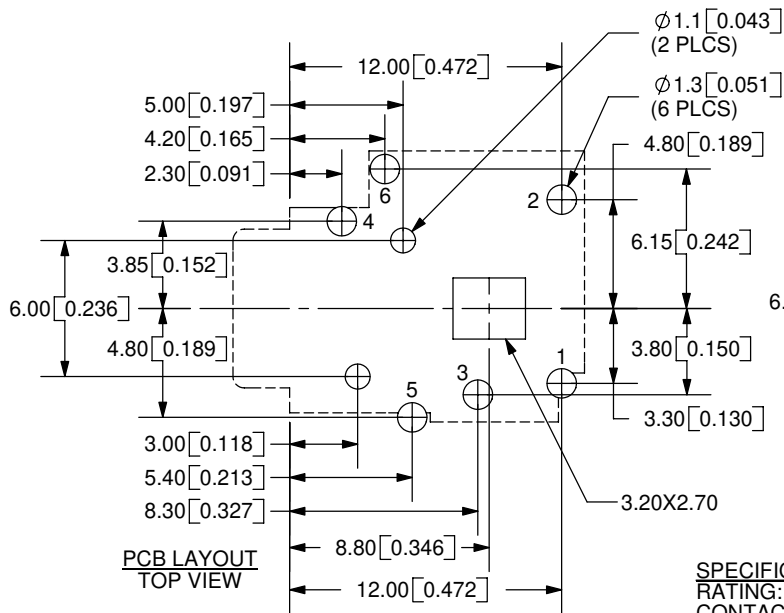
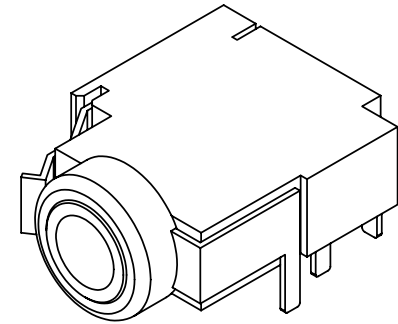
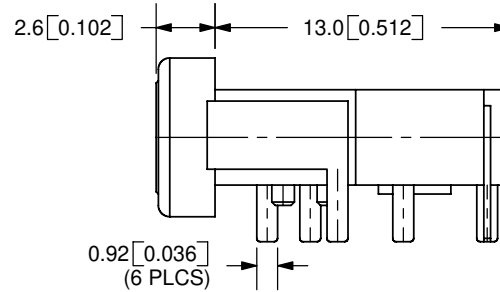
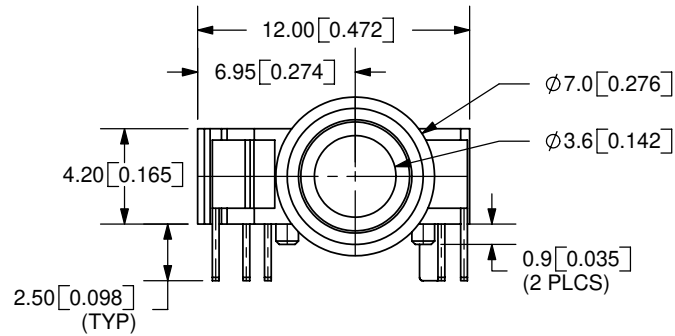
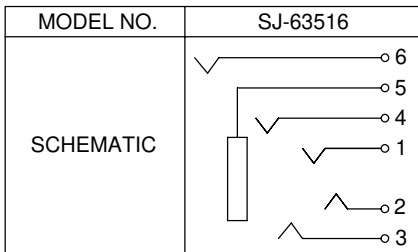


REV.	DESCRIPTION	DATE
A	NEW DRAWING	12/12/2005



**SPECIFICATIONS:**  
 RATING: 16V DC @ 300mA  
 CONTACT RESISTANCE: 100m OHMS MAX  
 INSULATION RESISTANCE: 100M OHMS MIN: 500V DC  
 VOLTAGE WITHSTAND: 500V AC R.M.S. FOR 1 MINUTE  
 LIFE: 5,000 CYCLES

TOLERANCE:  
 X.X ±0.3mm  
 X.XX ±0.2mm



	MATERIAL	PLATING
TERMINAL 1	PBS	Tin
TERMINAL 2	Brass	Tin
TERMINAL 3	PBS	Tin
TERMINAL 4	PBS	Tin
TERMINAL 5	Brass	Gold
TERMINAL 6	PBS	Tin
SPRING	Brass	
HOUSING	Nylon 66	



9615 SW Allen Blvd., Ste. 103  
 Beaverton, OR 97005  
 Phone: 503-643-4899  
 800-275-4899  
 Fax: 503-372-1266  
 Website: www.cui.com

TITLE:	AUDIO JACK W/6 CONDUCTORS 3.5mm	REV:	A
PART NO.	SJ-63516	UNITS:	MM [INCHES]
DRAWN BY:	ZRJ	APPROVED BY:	
		SCALE:	3:1

PC FILE NAME:  
 SJ-63516

COPYRIGHT 2006 BY CUI INC.