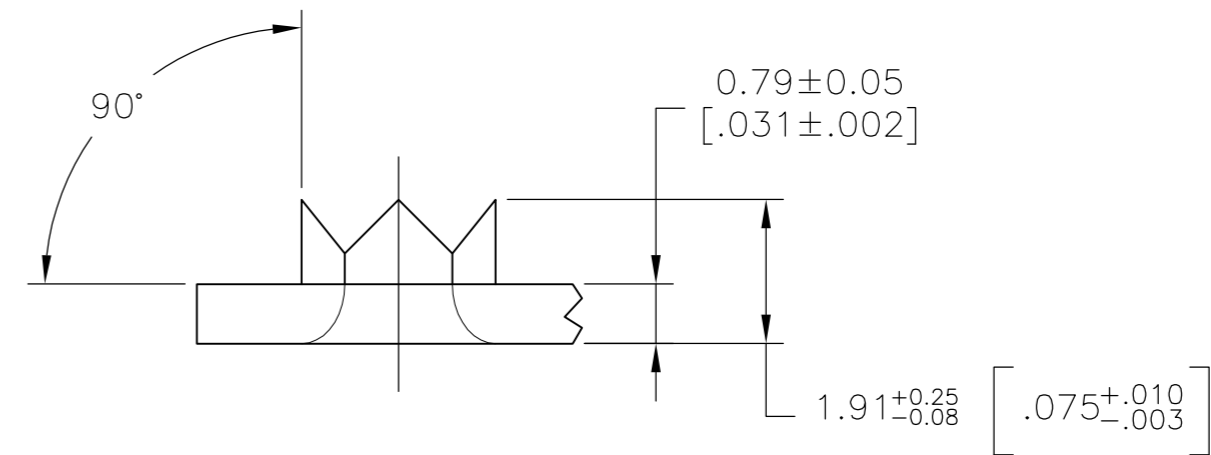
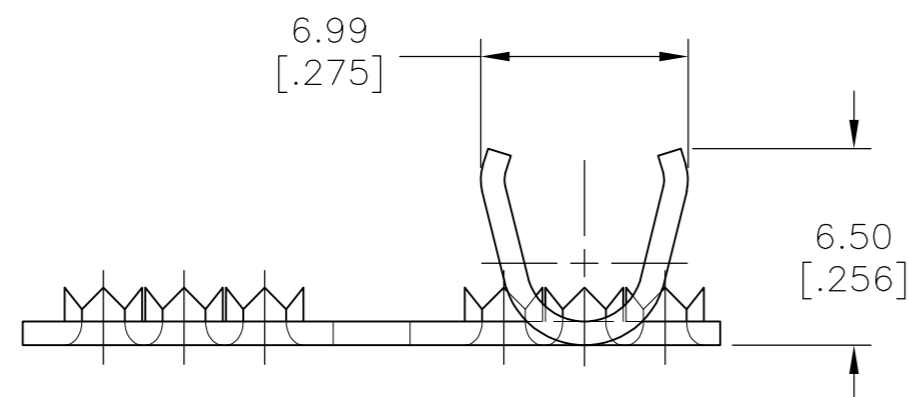
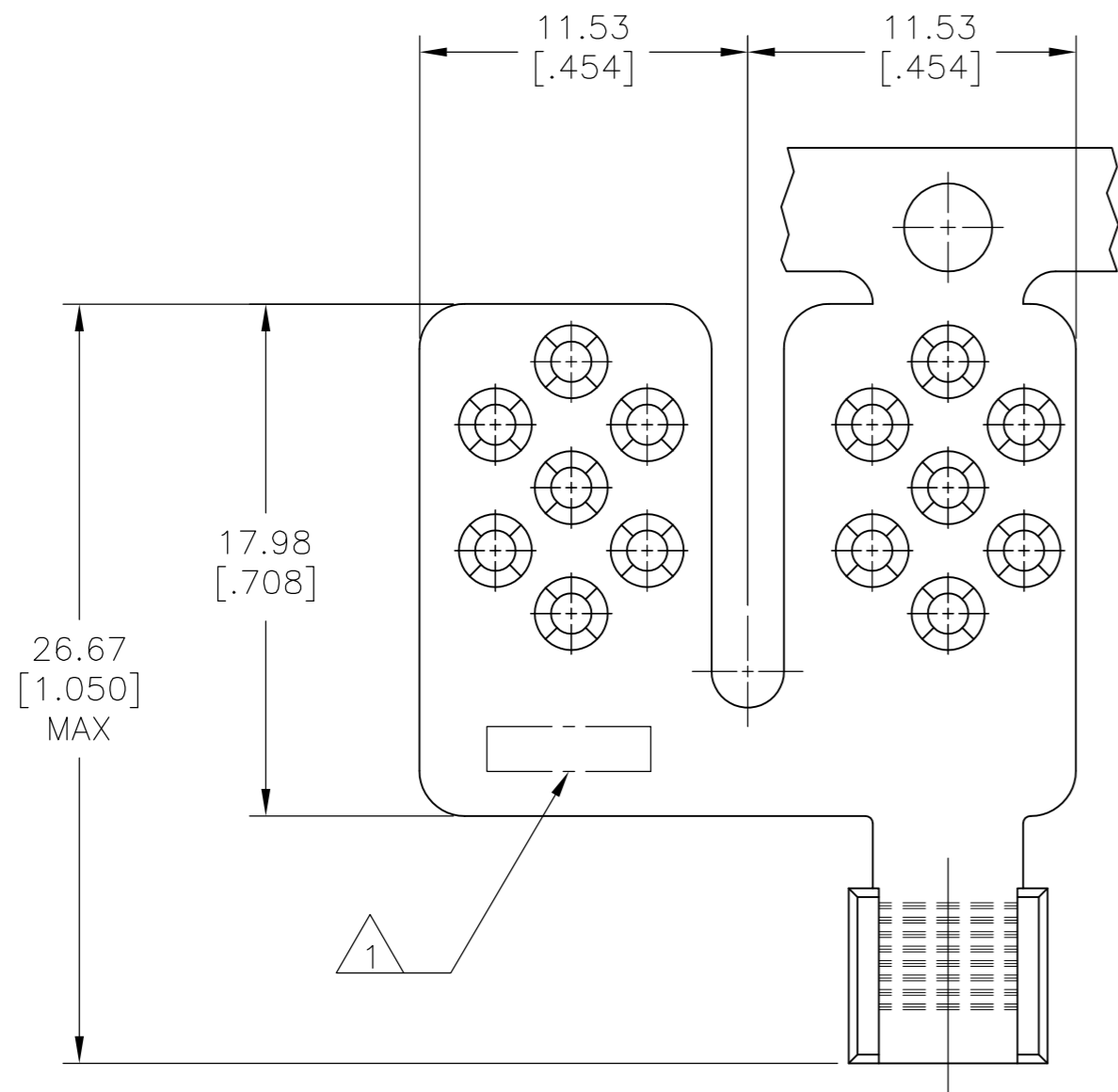


THIS DRAWING IS UNPUBLISHED. RELEASED FOR PUBLICATION
 © COPYRIGHT - By - ALL RIGHTS RESERVED.

REVISIONS					
P	LTR	DESCRIPTION	DATE	DWN	APVD
B		REV PER 0G3A-0697-03	03NOV03	-	JR
B1		REVISED PER ECO-16-017419	13MAR2017	RS	DR



1 STAMP AMP APPROX AS SHOWN.



DETAIL OF LANCE
SCALE 10:1

AMP INCORPORATED
CUSTOMER SERVICE SYSTEMS

MAX RECOMMENDED OPERATING TEMPERATURE:
170°C [338°F] MAX

FOR ADDITIONAL PRODUCT INFORMATION OR COPIES OF DRAWINGS AND TECHNICAL DOCUMENTS

PRODUCT INFORMATION CENTER
1-800-522-6752

VOLTAGE RATING:
NOT APPLICABLE

FOR APPLICATION TOOLING INFORMATION

TOOLING ASSISTANCE CENTER
1-800-722-1111

WIRE CROSS SECTIONAL AREA RANGE:
2.62-6.64mm² [5,180-13,100] CIR MILS
SOLID OR STRANDED

FOR ORDER ENTRY

1-800-526-5142

THIS DRAWING IS A CONTROLLED DOCUMENT FOR AMP INCORPORATED. IT IS SUBJECT TO CHANGE AND THE CONTROLLING ENGINEERING ORGANIZATION SHOULD BE CONTACTED FOR THE LATEST REVISION.

2000	STANDARD	53644-2
REEL QUANTITY	REELING DIRECTION	PART NO.

THIS DRAWING IS A CONTROLLED DOCUMENT.		DWN	DK SCHRUM	6/16/94
DIMENSIONS: mm [INCHES]		CHK	AJ KAUFMAN	6/20/94
TOLERANCES UNLESS OTHERWISE SPECIFIED:		APVD	RE ROSER	6/20/94
0 PLC	± -	PRODUCT SPEC		
1 PLC	± -	APPLICATION SPEC		
2 PLC	± -	WEIGHT	-	
3 PLC	± -	MATERIAL	COPPER PER ASTM B-152	
4 PLC	± -	FINISH	TIN PLATE .00254[.000100] MIN THK PER MIL-T-10727	
ANGLES	± -	CUSTOMER DRAWING		

TE Connectivity			
NAME: TERMINAL, W/ OPEN BARREL, TAP, TERMI-FOIL™, WIRE SIZE: 12-10 AWG			
SIZE	CAGE CODE	DRAWING NO	RESTRICTED TO
A2	00779	C=53644	-
SCALE	SHEET	1 OF 1	REV
4:1			B1