

DRAWING MADE IN THIRD ANGLE PROJECTION

3

2

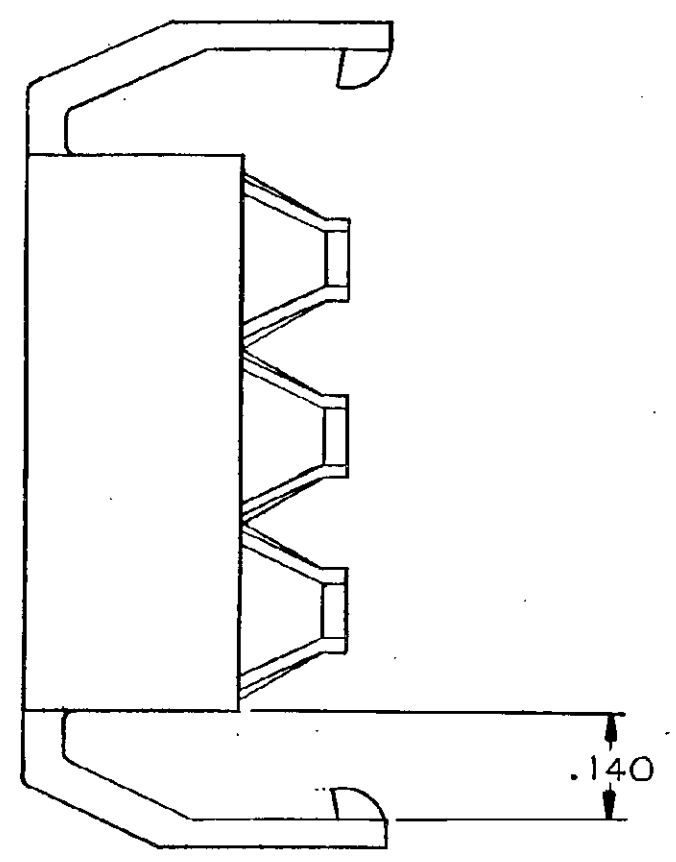
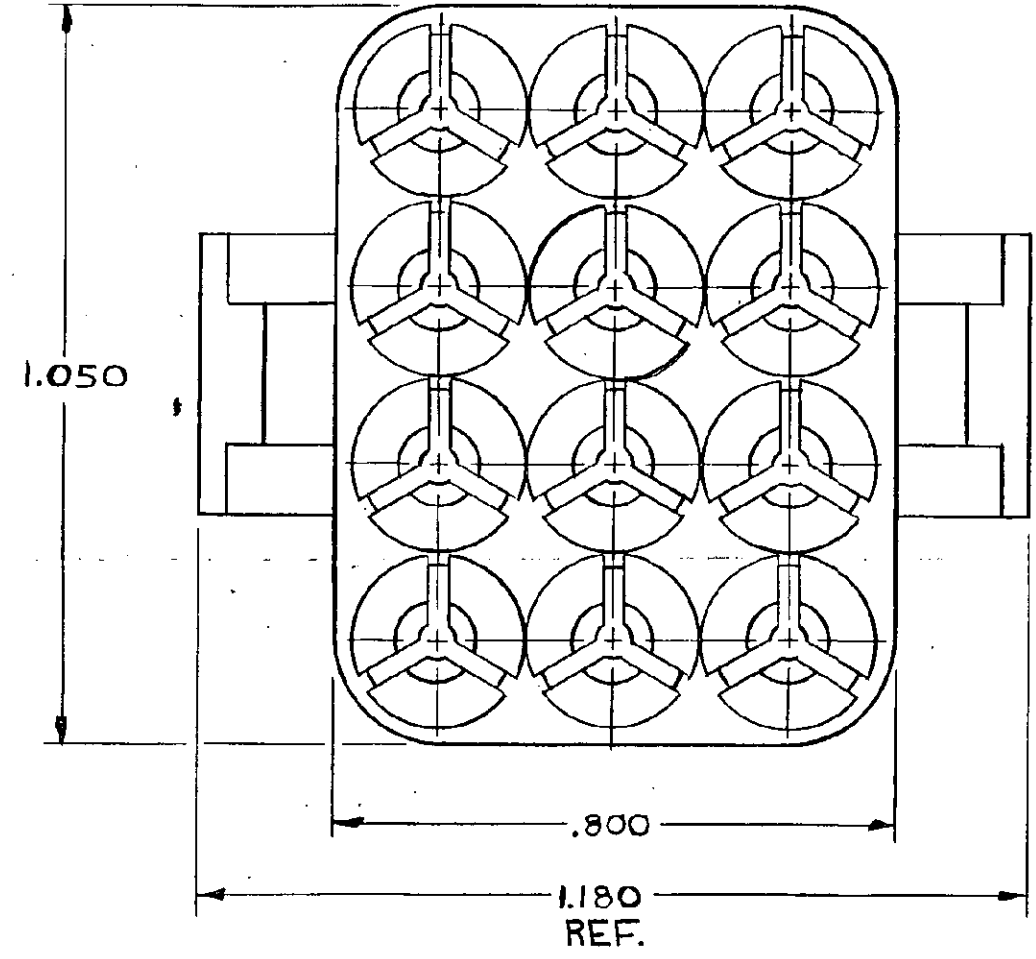
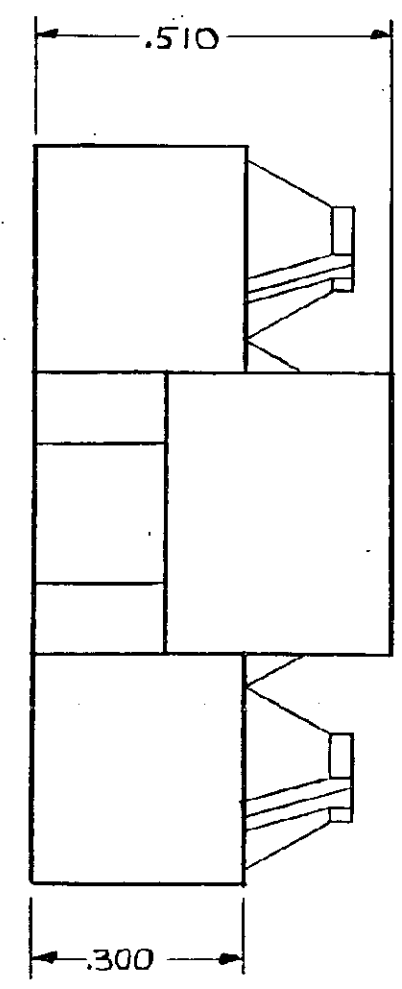
1

LOC CM DIST 53

THIS DRAWING IS UNPUBLISHED. RELEASED FOR PUBLICATION 19
 © COPYRIGHT 19 BY AMP INCORPORATED, HARRISBURG, PA. ALL INTERNATIONAL RIGHTS RESERVED. AMP PRODUCTS MAY BE COVERED BY U.S. AND FOREIGN PATENTS AND/OR PATENTS PENDING.


REVISIONS					
P	F	ZONE	LTR	DESCRIPTION	DATE APPROVED
✓			G	REVISED PER ECR-13-012353	07AUG13 TM
✓					
✓					
✓					
✓					
✓					

D
C
B
A



- ASSEMBLY INSTRUCTIONS:
 SNAP MODULE ONTO HOUSING,
 FULLY INSERT CONTACTS THRU MODULE AND INTO HOUSING (NOTE: SEVERAL CLICKS CAN BE HEARD AS THE CONTACT IS PUSHED IN PLACE),
 DISENGAGE LATCHES ON MODULE AND SLIDE BACK FROM END OF HOUSING,
 CHECK FOR ANY CONTACTS NOT FULLY INSERTED INTO HOUSING; INSERT ANY CONTACTS NOT LOCKED IN HOUSING,
 PUSH MODULE BACK AGAINST HOUSING UNTIL LATCHES ARE ENGAGED.
- MODULE WILL ACCEPT MAXIMUM WIRE OUTSIDE DIA OF .160.

643255-1
PART NO

UNLESS OTHERWISE SPECIFIED DIMENSIONS ARE IN INCHES. TOLERANCES ON: DECIMALS ±.015 ANGLES ± —	CONTRACT NO		 TE Connectivity NAME ASSEMBLY MODULE, UNIVERSAL MATE-N-LOK™ 12 CIRCUIT	
	DR	7-15-82		
MATERIAL	CHK	7-22-82	APPD	APPD
NYLON 94V-0			DSGN APPD	OTHER APPD
FINISH	SCALE	FSCM NO	DRAWING NO	
	4-1	00779	643255	
			SHEET	