

1

2

3

4

5

6

7

8

DO NOT SCALE  
DIMENSIONS IN mm

METRIC

EUROPEAN PROJECTION

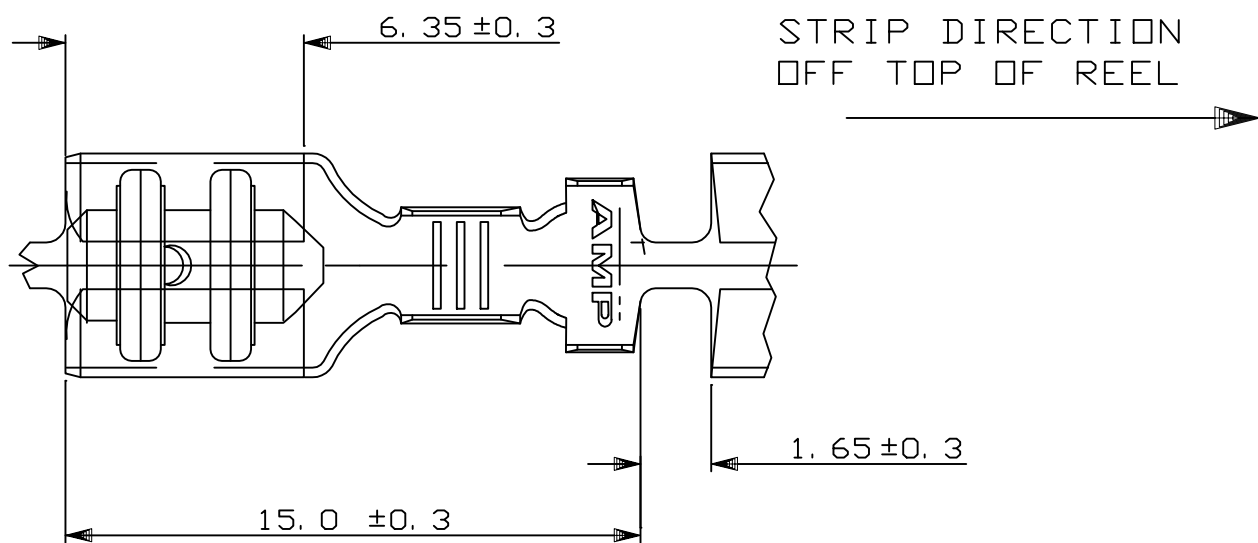
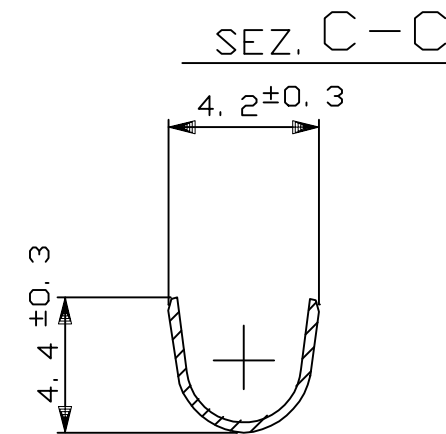
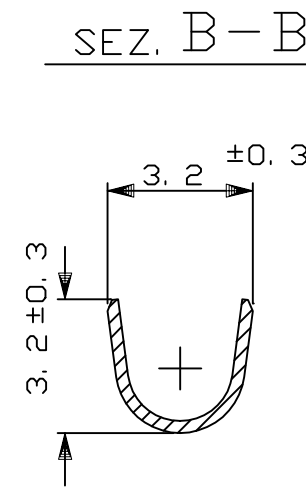
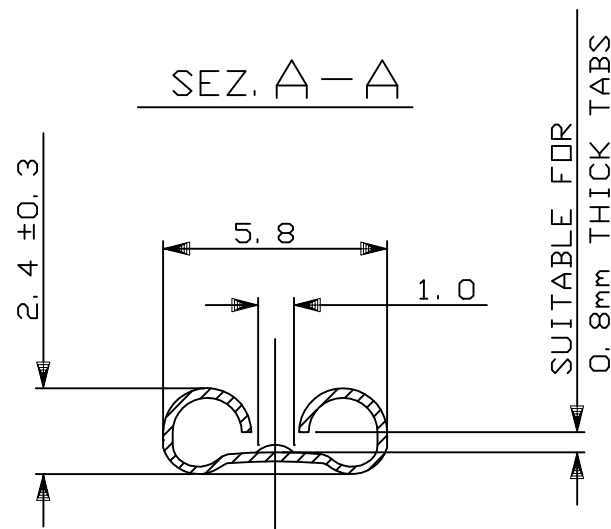
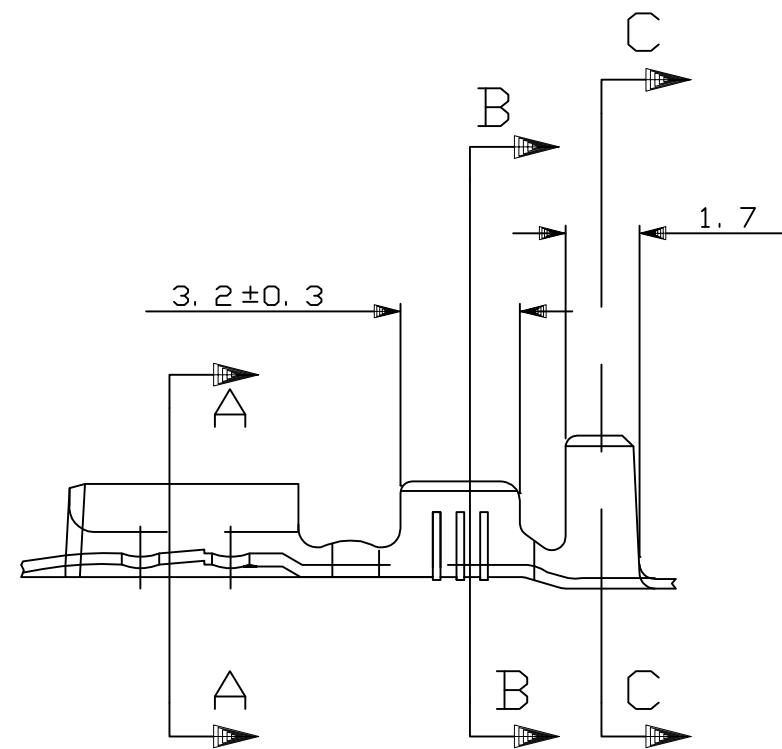
A

B

C

D

E



- 1 APPLICATION SPEC. 114-20081
- 2 SPLICES PRESENT ON REEL

TINNED	BRASS	281369-2	F
FINISH / COLOUR	MATERIAL	PART NUMBER	REV

CUSTOMER DWG. FOR REFERENCE ONLY

THIS DRAWING IS UNPUBLISHED -RELEASE FOR PUBLICATION- 19  
© COPYRIGHT 2014 BY TE CONNECTIVITY, HARRISBURG, PA. ALL INTERNATIONAL RIGHTS RESERVED. AMP PRODUCTS MAY BE COVERED BY U.S. AND FOREIGN PATENT AND/OR PATENT PENDING

TOLERANCES UNLESS OTHERWISE SPECIFIED: ± 0.3	DIAM. ISOLANTE (INS. DIA. RANGE) 2.3-3.3 DIA	RANGO FILE (WIRE RANGE) 0.5-1.5 mm <sup>2</sup>	SCALA (SCALE) 5:1
---	--	---	-------------------------

ANGLES: ± 2°



DIS. <DR.> 23 JUN 2014 D. CHIARELLI	DESCRIZIONE <DESCRIPTION> FASTON Connector , 197" sr. REC. CONTACT
COND. <CHK> 23 JUN 2014 D. CHIARELLI	LDC. SIZE NUMERO <DWG NO> I A3 C-281369

REV. <REV. LTR.>	REVISIONI <REVISION RECORD>	DIS. <DR.>	DATA <DATE>	APP. <APP.>	DATE <DATE>
F	ECR-14-009406	D. C.	23 JUN 2014	T. DING	23 JUN 2014

REV. <REV.>	FOGLIO <SHEET>
F	1 OF 1

DISTRIBUZIONE <PRINT DIST.>