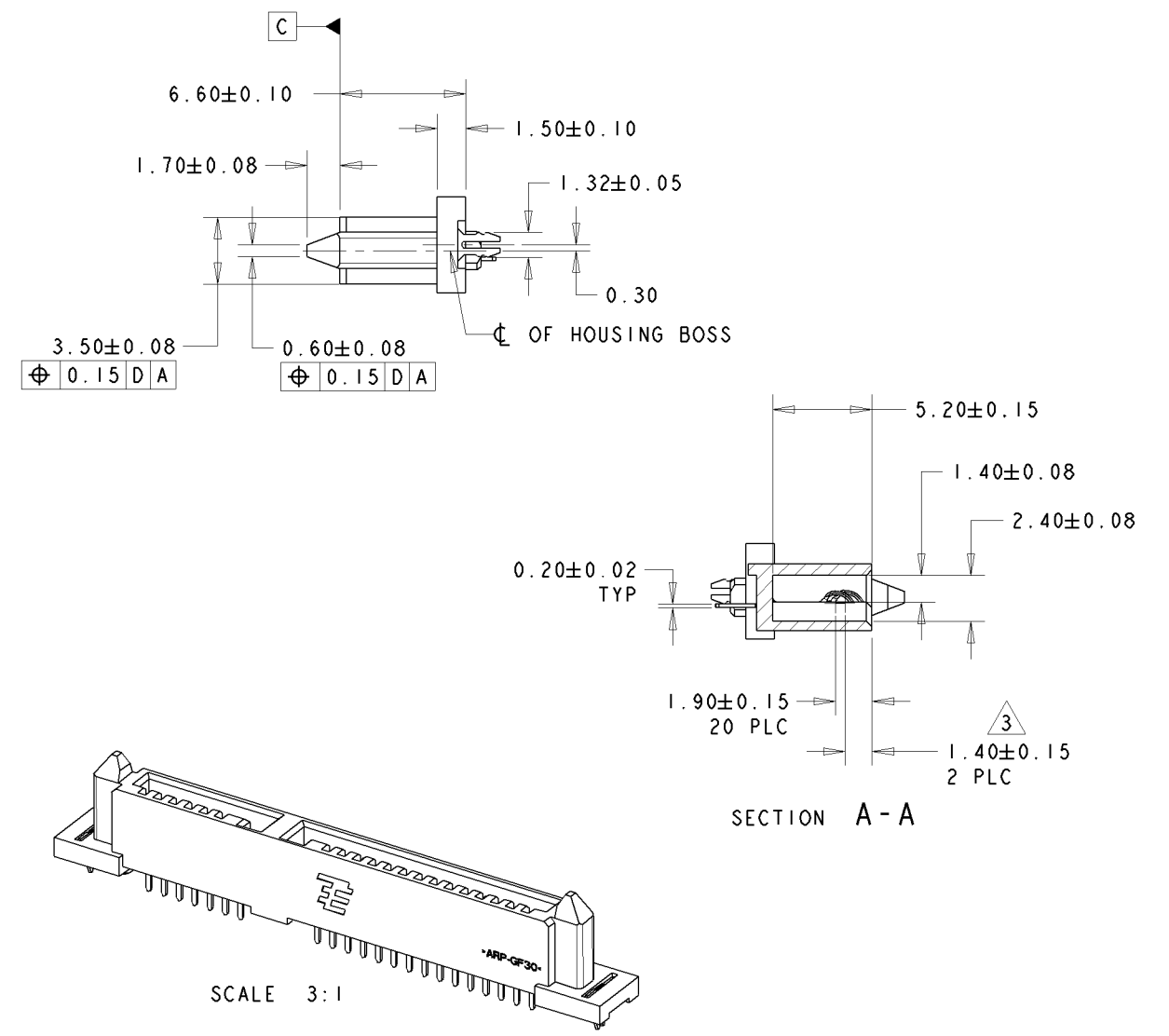
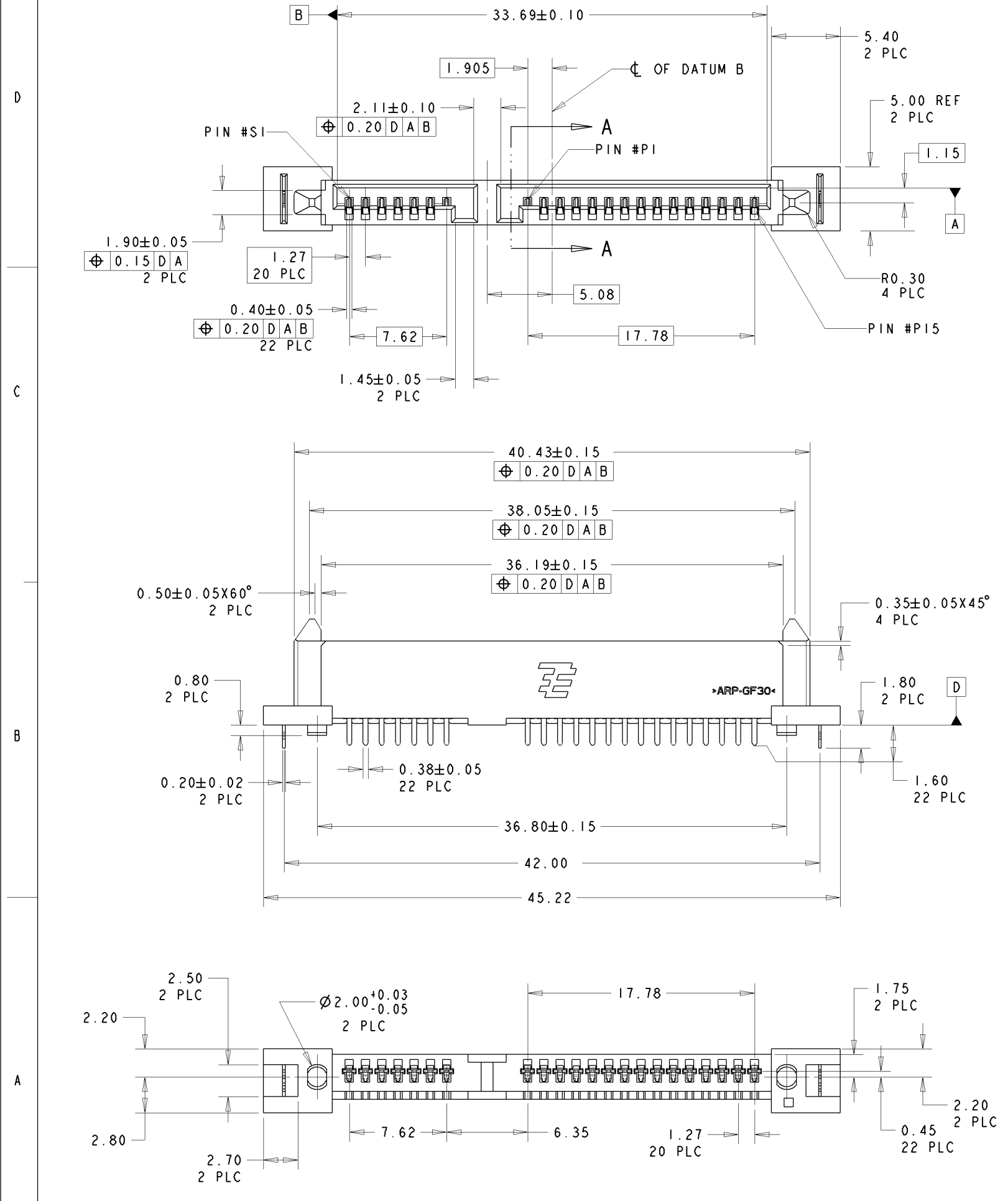


THIS DRAWING IS UNPUBLISHED. RELEASED FOR PUBLICATION .19  
 BY AMP INCORPORATED. ALL RIGHTS RESERVED.

LOC	DIST	REVISIONS			
P	LTR	DESCRIPTION	DATE	DWN	APVD
DY	-	A	REVISED ECR-10-023895	19NOV10	LSK LSF

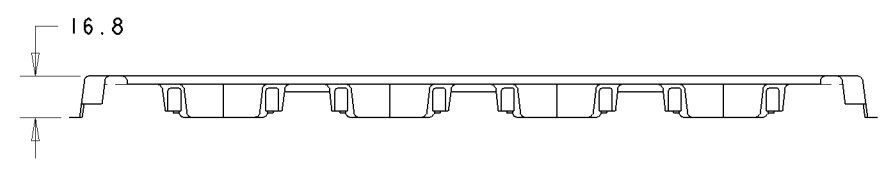
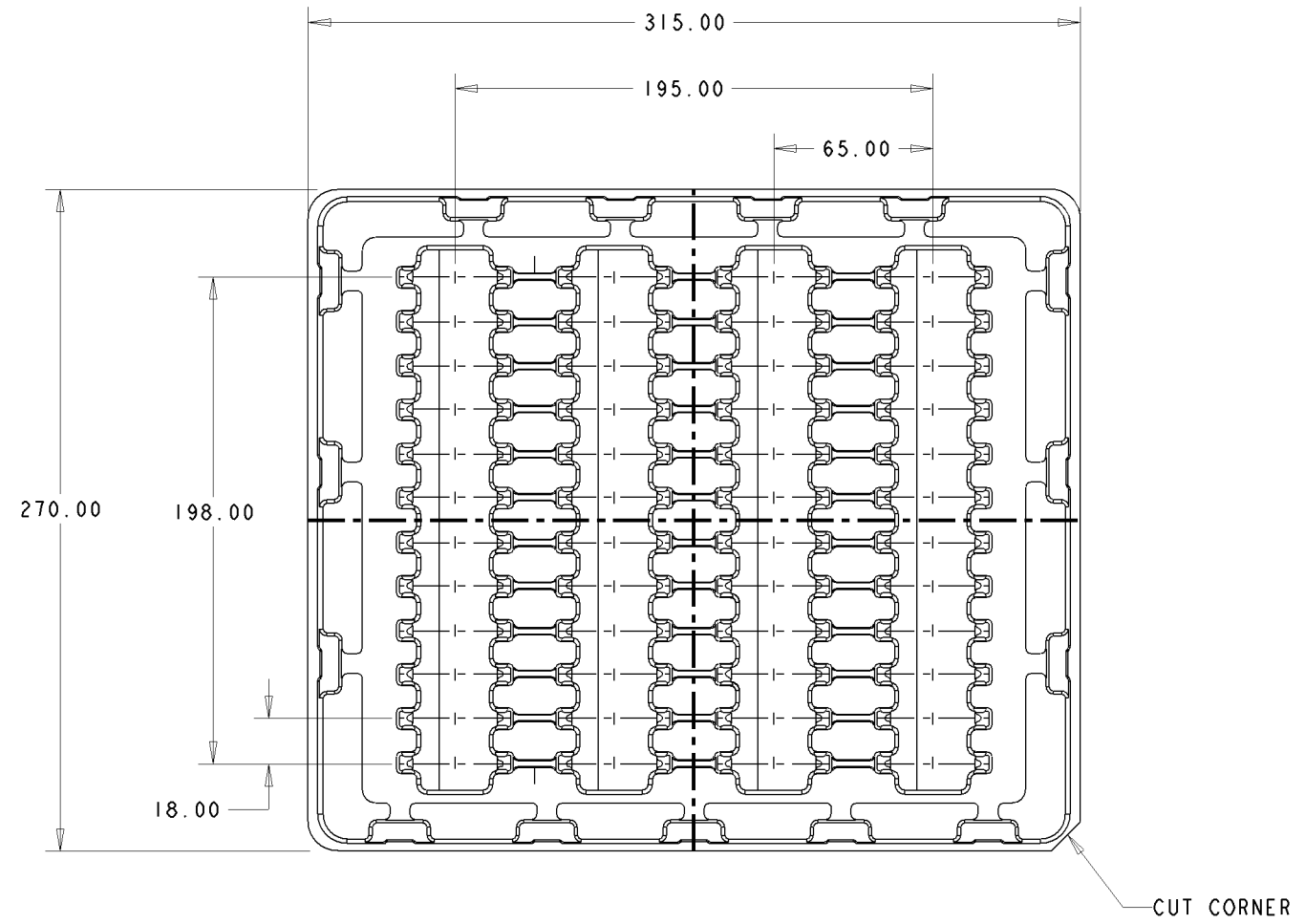
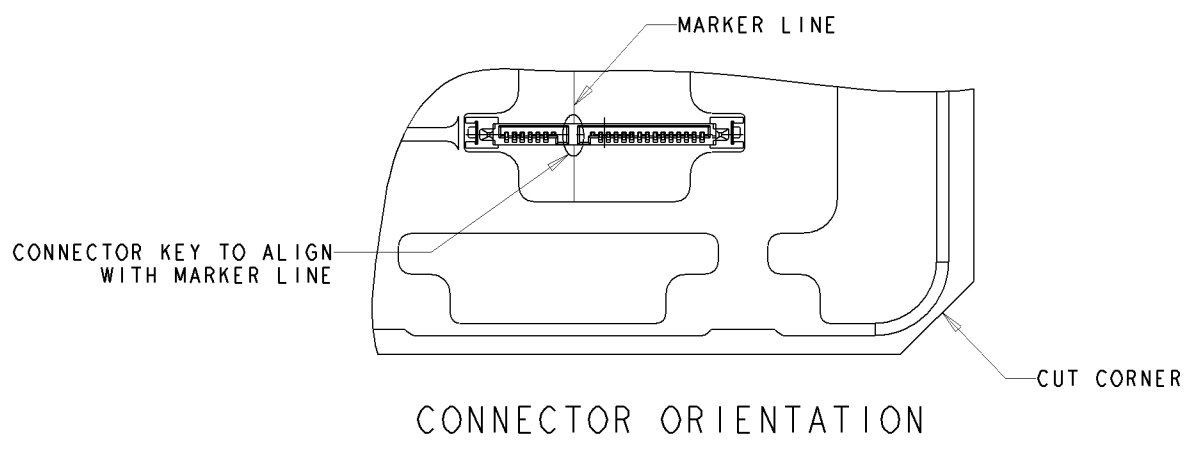


- NOTES:
- MATERIAL:  
 HOUSING: HIGH TEMP THERMOPLASTIC, UL94V-0,  
 COLOR: BLACK  
 CONTACT: COPPER ALLOY  
 BOARDLOCK: COPPER ALLOY
  - FINISH:  
 CONTACT MATING AREA: MIN 0.38um GOLD PLATING  
 CONTACT SOLDER TAIL: MIN 2.54um MATTE TIN PLATING  
 BOARDLOCK  
 UNDERPLATE: MIN 1.27um NICKEL PLATING
  - PIN #P4 AND #P12 ONLY

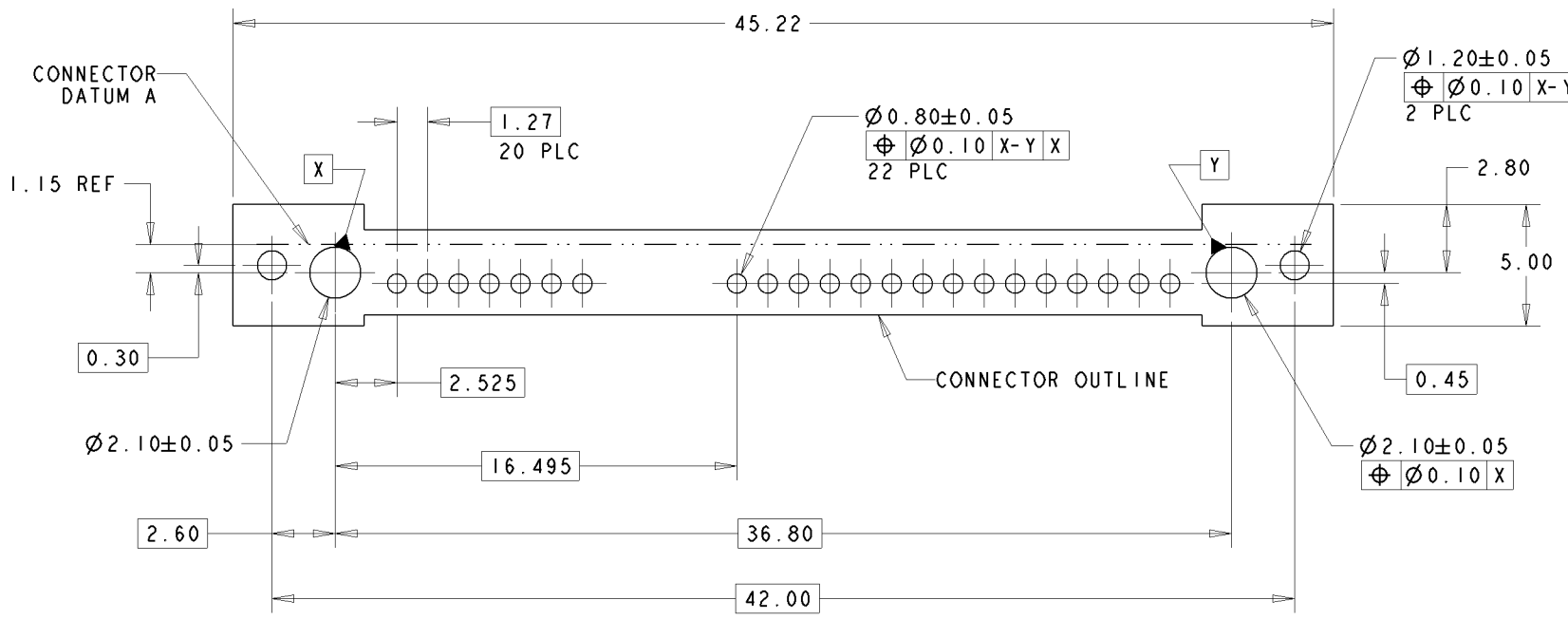
1735397-1  
 PART NUMBER

THIS DRAWING IS A CONTROLLED DOCUMENT FOR AMP INCORPORATED. IT IS SUBJECT TO CHANGE AND THE CONTROLLING ENGINEERING ORGANIZATION SHOULD BE CONTACTED FOR THE LATEST REVISION.		DWN SK LEAW 15JAN2007	Tyco Electronics Singapore Pte. Ltd.	
DIMENSIONS - mm		CHK SF LEONG 14FEB2007	NAME SATA BACKPLANE RECEPTACLE, VERTICAL, THROUGH HOLE	
TOLERANCES UNLESS OTHERWISE SPECIFIED:		APVD SF LEONG 14FEB2007	SIZE A2	CAGE CODE 00779
0 PLC ±	1 PLC ±	PRODUCT SPEC -	DRAWING NO C=1735397	SCALE 4:1
2 PLC ±0.20	3 PLC ±	APPLICATION SPEC -	SHEET 1 of 2	REV A
4 PLC ±	ANGLES ±3°	WEIGHT -	CUSTOMER DRAWING	
MATERIAL 1		FINISH 2		

LOC	DIST	REVISIONS			
P	LTR	DESCRIPTION	DATE	DWN	APVD
DY	-	SEE SHEET 1	-	-	-



PACKAGING TRAY  
 QTY/TRAY: 48PCS



RECOMMENDED PCB LAYOUT  
 SCALE 5:1

THIS DRAWING IS A CONTROLLED DOCUMENT FOR AMP INCORPORATED. IT IS SUBJECT TO CHANGE AND THE CONTROLLING ENGINEERING ORGANIZATION SHOULD BE CONTACTED FOR THE LATEST REVISION.		DWN SK LEAW 15JAN2007	Tyco Electronics Singapore Pte. Ltd.	
DIMENSIONS - mm		CHK SF LEONG 14FEB2007	NAME SATA BACKPLANE RECEPTACLE, VERTICAL, THROUGH HOLE	
TOLERANCES UNLESS OTHERWISE SPECIFIED: 0 PLC ± 1 PLC ± 2 PLC ±0.20 3 PLC ± 4 PLC ± ANGLES ±3° FINISH -		APVD SF LEONG 14FEB2007	PRODUCT SPEC -	SIZE A2
MATERIAL -		APPLICATION SPEC -	WEIGHT -	CAGE CODE 00779
		CUSTOMER DRAWING	DRAWING NO C=1735397	SCALE 4:1
			SHEET 2 of 2	REV A