

1924487-1 ✓ ACTIVE

AMP | AMPSEAL 16

TE Internal #: 1924487-1

Other Automotive Connector Accessories, Mounting Clip, PA,
Black, -40 – 120 °C [-40 – 248 °F], AMPSEAL 16

[View on TE.com >](#)



[Connectors >](#) [Automotive Connectors >](#) [Automotive Connector Accessories >](#) [Other Automotive Connector Accessories >](#)

[AMPSEAL 16 Connectors Mounting Clips](#)



Automotive Connector Accessory Type: **Mounting Clip**

Primary Product Material: **PA**

Primary Product Color: **Black**

Operating Temperature Range: **-40 – 120 °C [-40 – 248 °F]**

[All AMPSEAL 16 Connectors Mounting Clips \(3\)](#)

Features

Product Type Features

Automotive Connector Accessory Type	Mounting Clip
-------------------------------------	---------------

Body Features

Primary Product Material	PA
Primary Product Color	Black

Usage Conditions

Operating Temperature Range	-40 – 120 °C[-40 – 248 °F]
-----------------------------	----------------------------

Industry Standards

UL Flammability Rating	UL 94HB
------------------------	---------

Packaging Features

Packaging Quantity	1
Packaging Method	Package

Other

Serviceable	Yes
-------------	-----

Product Compliance

[For compliance documentation, visit the product page on TE.com>](#)



EU RoHS Directive 2011/65/EU	Compliant
EU ELV Directive 2000/53/EC	Compliant
China RoHS 2 Directive MIIT Order No 32, 2016	No Restricted Materials Above Threshold
EU REACH Regulation (EC) No. 1907/2006	Current ECHA Candidate List: JUNE 2023 (235) Candidate List Declared Against: JAN 2023 (233) Does not contain REACH SVHC
Halogen Content	Low Halogen - Br, Cl, F, I < 900 ppm per homogenous material. Also BFR/CFR/PVC Free
Solder Process Capability	Not applicable for solder process capability

Product Compliance Disclaimer

This information is provided based on reasonable inquiry of our suppliers and represents our current actual knowledge based on the information they provided. This information is subject to change. The part numbers that TE has identified as EU RoHS compliant have a maximum concentration of 0.1% by weight in homogenous materials for lead, hexavalent chromium, mercury, PBB, PBDE, DBP, BBP, DEHP, DIBP, and 0.01% for cadmium, or qualify for an exemption to these limits as defined in the Annexes of Directive 2011/65/EU (RoHS2). Finished electrical and electronic equipment products will be CE marked as required by Directive 2011/65/EU. Components may not be CE marked. Additionally, the part numbers that TE has identified as EU ELV compliant have a maximum concentration of 0.1% by weight in homogenous materials for lead, hexavalent chromium, and mercury, and 0.01% for cadmium, or qualify for an exemption to these limits as defined in the Annexes of Directive 2000/53/EC (ELV). Regarding the REACH Regulation, the information TE provides on SVHC in articles for this part number is based on the latest European Chemicals Agency (ECHA) 'Guidance on requirements for substances in articles' posted at this URL: <https://echa.europa.eu/guidance-documents/guidance-on-reach>

Compatible Parts



TE Part # CAT-AM7801-CH8172
AMPSEAL 16 Housings



TE Part # 2318967-1
24POS,AMP MCP 2.8,REC HSG ASSY, SLD



TE Part # 2319023-1
8POS,AMP MCP 2.8,REC HSG ASSY, SLD



TE Part # 2319023-2
8POS,AMP MCP 2.8,REC HSG ASSY, SLD



TE Part # 2338211-1
CAP PIN ASSY, 4P, W2W, SEALED COAX

TE Part # 2338211-2
CAP PIN ASSY, 4P, W2W, SEALED COAX

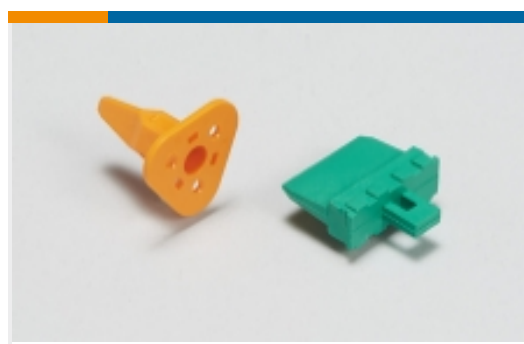
TE Part # 2338211-3
CAP PIN ASSY, 4P, W2W, SEALED COAX

TE Part # 2338211-4
CAP PIN ASSY, 4P, W2W, SEALED COAX

Also in the Series | AMPSEAL 16



Automotive Connector Caps & Covers (85)



Automotive Connector Locks & Position Assurance(2)



Automotive Housings(244)



Automotive Seals & Cavity Plugs(4)



Automotive Terminals(33)



Data Connectivity Headers(2)



Data Connectivity Housings(3)



Other Automotive Connector Accessories(11)

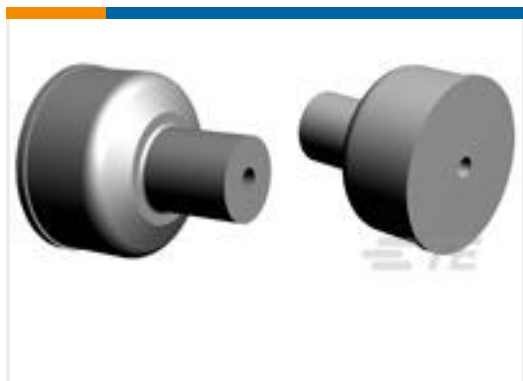
Customers Also Bought



TE Part #2040594-2
AMPSEAL 16 Housings



TE Part #3-2366619-3
62POS, HYBRID, REC HSG ASSY, SLD, COD C



TE Part #347707-1
0.5MM CABLE SEAL HC SILIC



TE Part #2292937-1
2POS, 1.2X0.6, TAB HSG ASSY, SLD, COD A



TE Part #9-2348795-1
HD MATEnet 1+12 REC HSG ASSY, GRP E



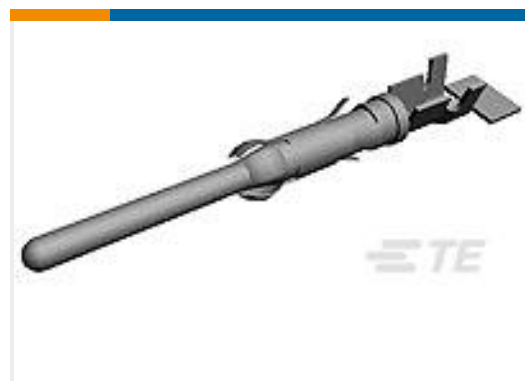
TE Part #K1124484
Spare part kit Polyfuse 30-200-57-006



TE Part #K1129539
Relay 30-313-11-925



TE Part #2177733-5
PLATFORM SENSOR PLCD 25 MM TEACHED



TE Part #927885-1
CI 2PIN

Documents



Product Drawings

MOUNTING CLIP, AMPSEAL 16

English

CAD Files

3D PDF

3D

Customer View Model

[ENG_CVM_CVM_1924487-1_D.2d_dxf.zip](#)

English

Customer View Model

[ENG_CVM_CVM_1924487-1_D.3d_igs.zip](#)

English

Customer View Model

[ENG_CVM_CVM_1924487-1_D.3d_stp.zip](#)

English

By downloading the CAD file I accept and agree to the [Terms and Conditions](#) of use.

Datasheets & Catalog Pages

CONNECTOR SELECTOR

English

Product Specifications

Application Specification

English