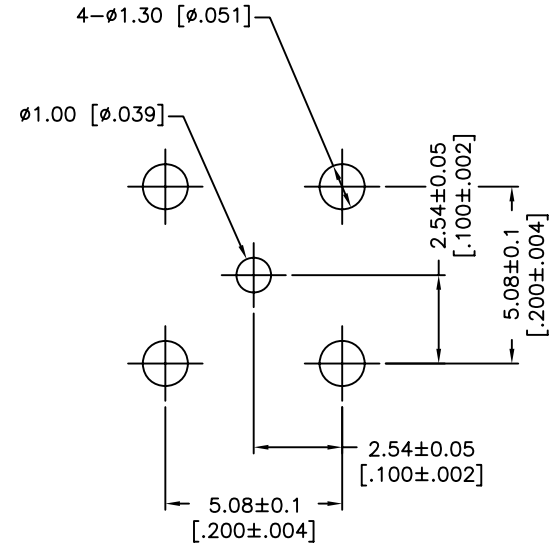
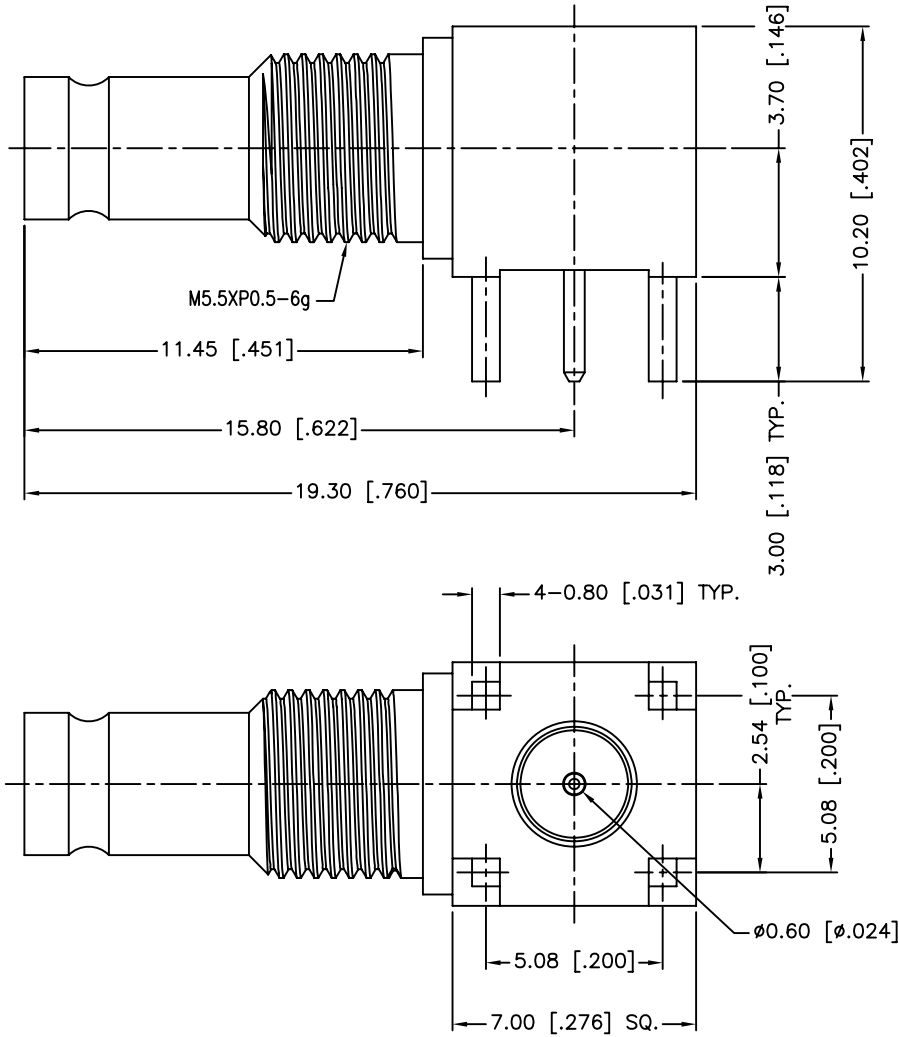


REV.	DATE	ECR NO.	DESCRIPTION
NC	03/19/10	XXXXXX	INITIAL RELEASE



1. FREQUENCY RANGE: DC 0-3 GHz
2. VSWR(RETURN LOSS): 1.15, MAX.

DESCRIPTION	MATERIAL	FINISH	QTY
6 COVER	BRASS	GOLD	1
5 CONTACT PIN	BRASS	GOLD	1
4 INSULATOR	PTFE	NATURAL	1
3 INSULATOR	PTFE	NATURAL	1
2 CONTACT PIN	BER. COPPER	GOLD	1
1 BODY	BRASS	GOLD	1

UNLESS OTHERWISE SPECIFIED DIMENSIONS ARE IN MILLIMETERS. DIMENSIONS IN [] ARE IN INCHES AND FOR CUSTOMER REFERENCE ONLY.

UNLESS OTHERWISE SPECIFIED TOLERANCES FOR MILLIMETERS ARE:
0.5 - 8mm \pm 0.20mm
8 - 30mm \pm 0.40mm
30 - 120mm \pm 0.50mm

UNLESS OTHERWISE SPECIFIED TOLERANCES FOR INCHES ARE:
.020 - .315 = \pm 0.007"
.315 - 1.180 = \pm 0.015"
1.180 - 4.724 = \pm 0.020"

DO NOT SCALE DRAWING

APPROVALS	DATE
DRAWN M.ZHANG	03/19/10
CHECKED	
ISSUED	
SHEET 1 OF 1	
CAD FILE C:/CONNEX/282100-75.DWG	

Amphenol Connex

PART DESCRIPTION
1.0/2.3 R/A BULKHEAD PCB RECEPT. JACK (75 ohm)

PART NO. **282100-75**

DWG. NO. 282100-75.DWG REV. D SIZE A SCALE NA