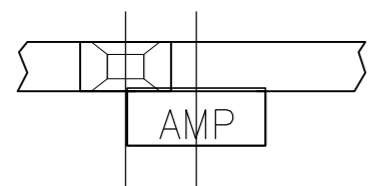
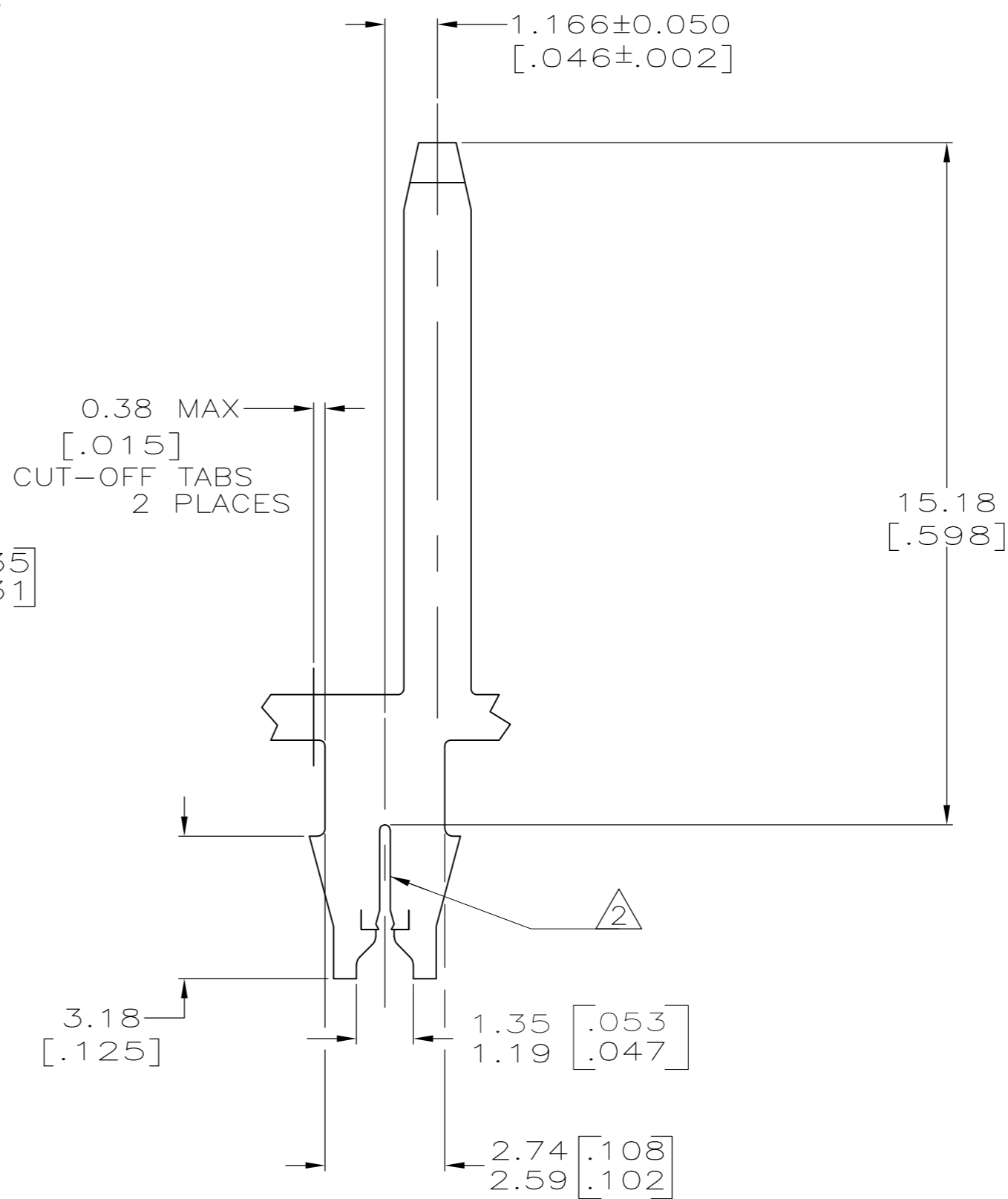
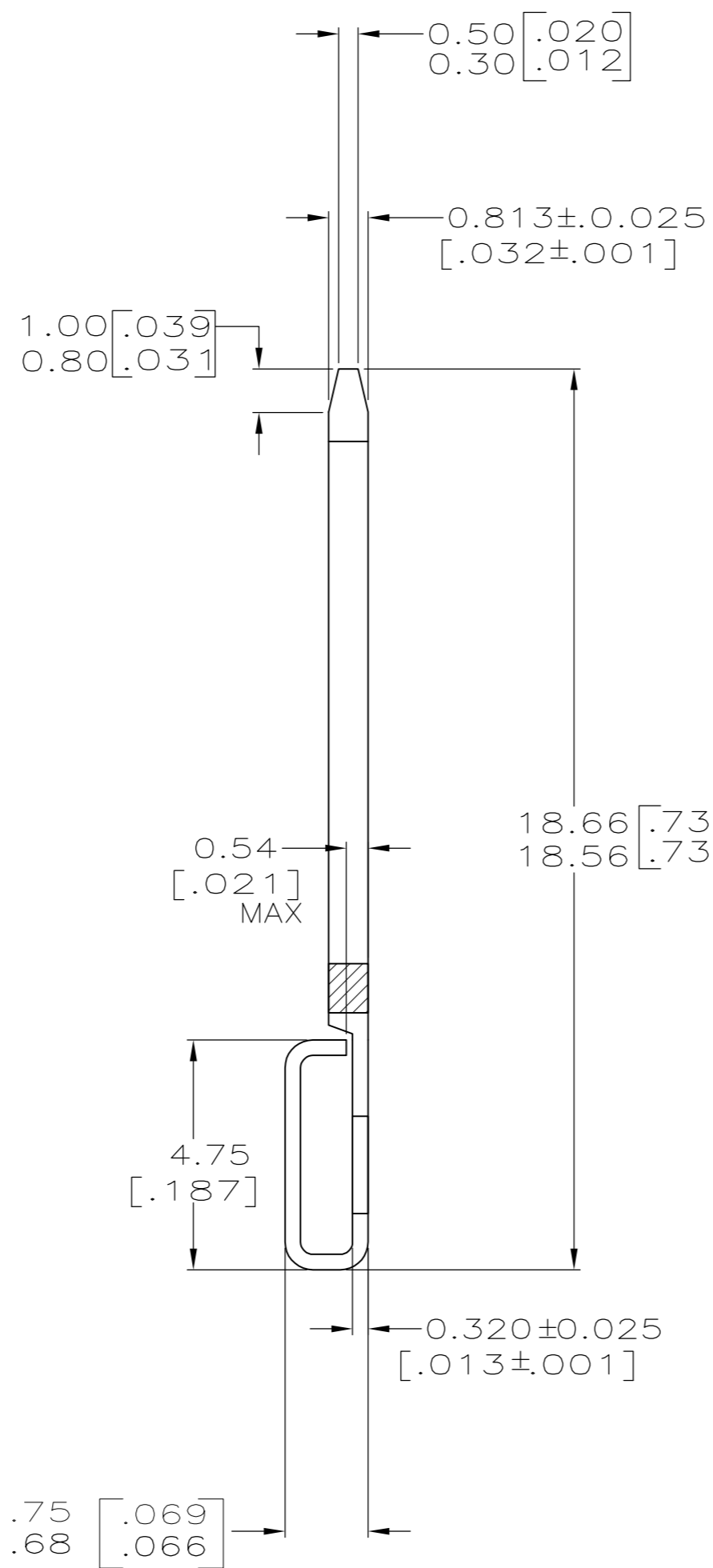
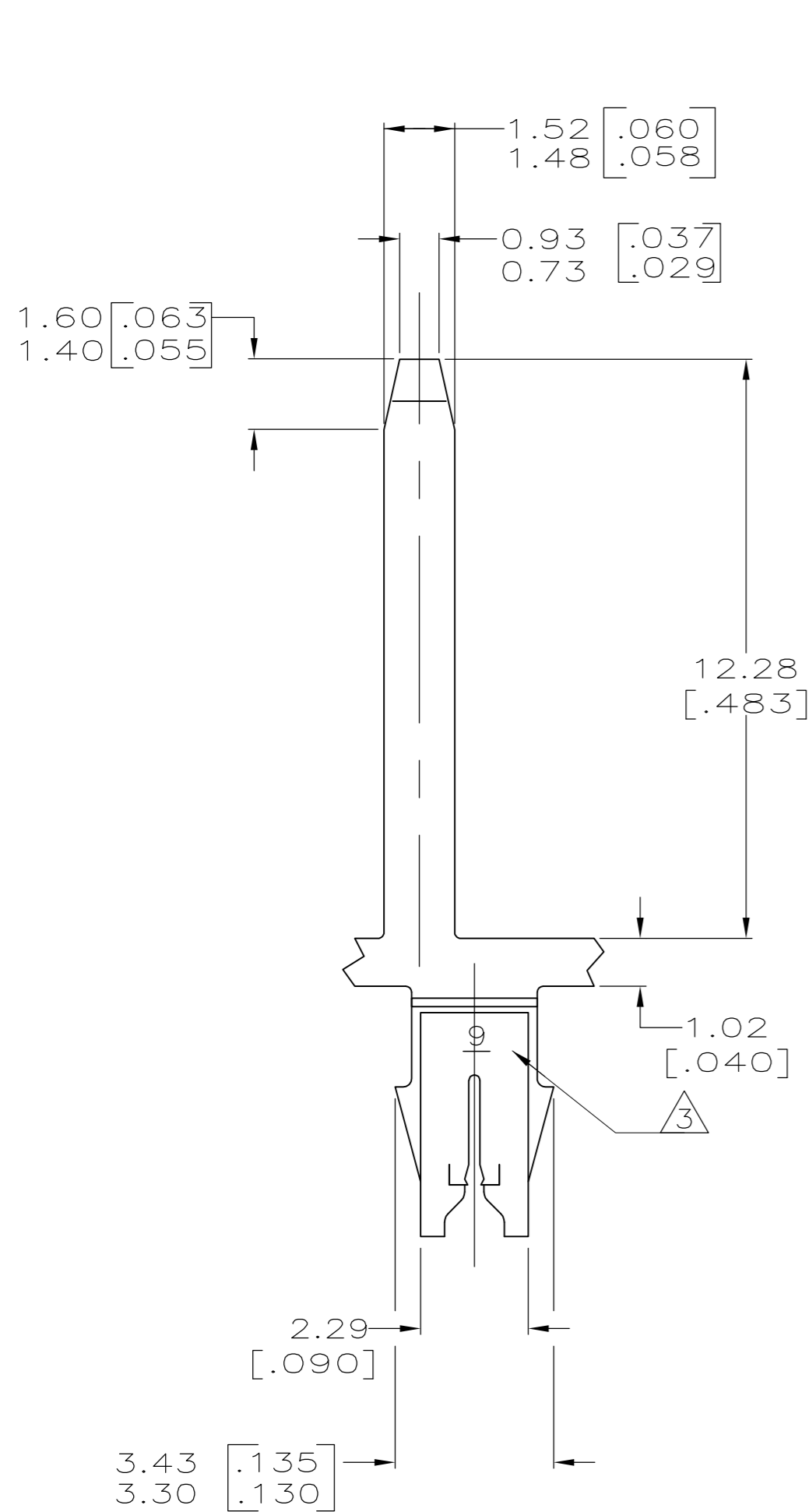


THIS DRAWING IS UNPUBLISHED. RELEASED FOR PUBLICATION
 © COPYRIGHT - By - ALL RIGHTS RESERVED.

LOC		DIST		REVISIONS			
P	LTR	DESCRIPTION		DATE	DWN	APVD	
AF	50	D1	ECR-13-016672	25OCT13	PKS	RRP	



- 1 CONTINUOUS STRIP ON REELS WITH TERMINALS LOCATED ON 5.08±0.08 [.200±.003] CENTERS.
- 2 SLOT ACCEPTS 0.36-0.45mm [#27-#25] AWG COPPER MAGNET WIRE
- 3 IDENTIFICATION NUMBER 9 FOR WIRE SLOT SIZE.
- 4 TIN PLATE OVER COPPER UNDERPLATE.



1217887-1
PART NUMBER

THIS DRAWING IS A CONTROLLED DOCUMENT.		DWN MICHAEL S. FEHER 29OCT2002		
DIMENSIONS:		CHK KURT A. RANDOLPH 29OCT2002		
mm [INCHES]		APVD KURT A. RANDOLPH 29OCT2002		
TOLERANCES UNLESS OTHERWISE SPECIFIED:		PRODUCT SPEC		
0 PLC ± -		108-2012	NAME	
1 PLC ± -		APPLICATION SPEC	TAB, 1.50[.059] SERIES, RIGHT HAND, 187 SERIES MAG-MATE™	
2 PLC ± 0.13[.005]		114-2069	SIZE	CAGE CODE
3 PLC ± -		WEIGHT	A2	00779
4 PLC ± -		CUSTOMER DRAWING	DRAWING NO	1217887
ANGLES ± -		SCALE	8:1	SHEET
FINISH		REV	D1	1 OF 1
MATERIAL		RESTRICTED TO		
BRASS		-		