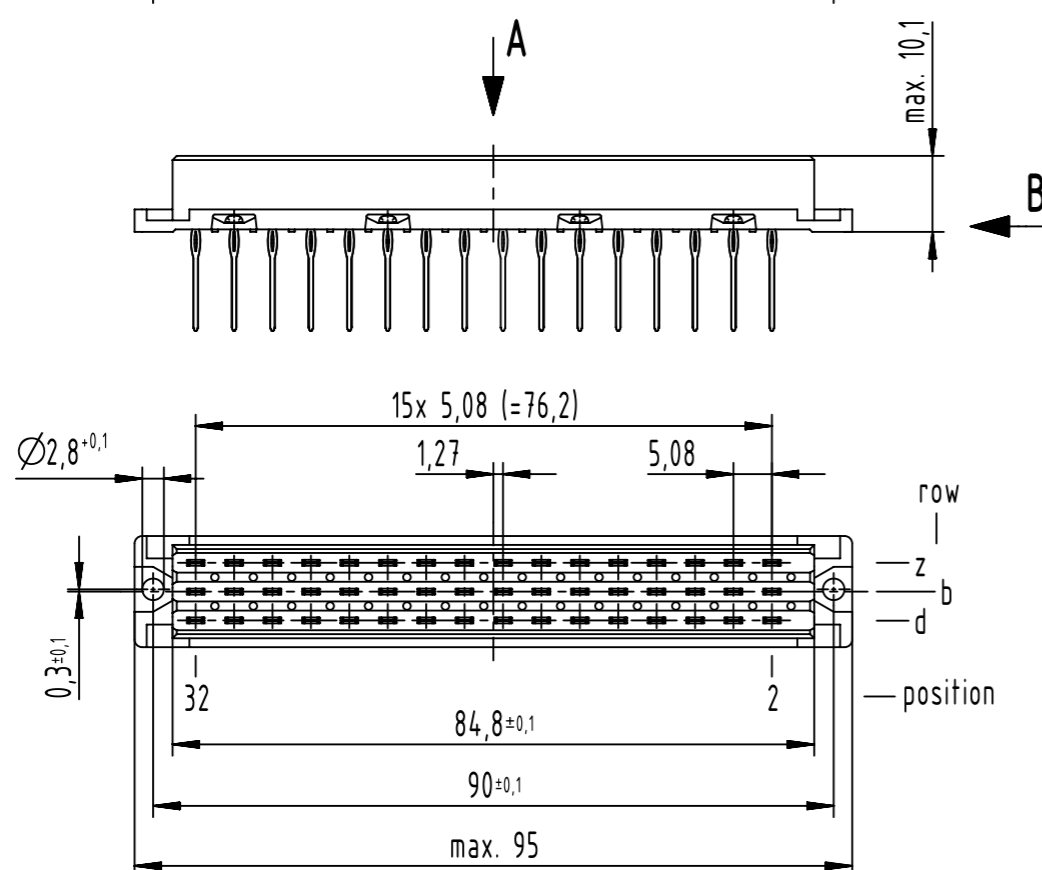
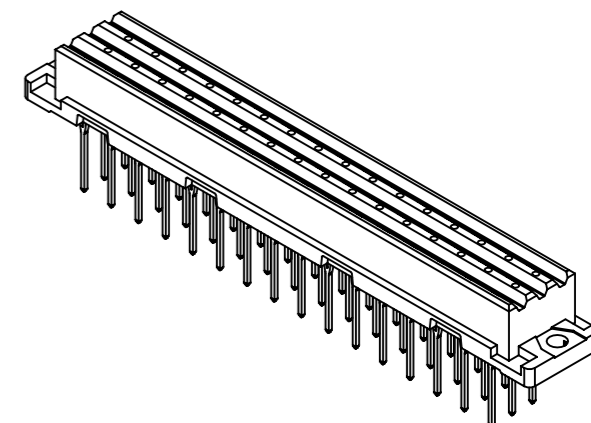
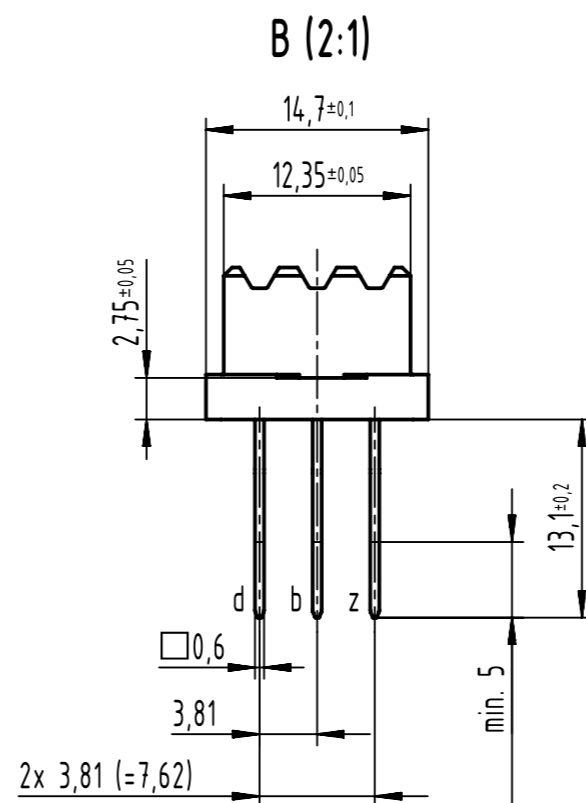
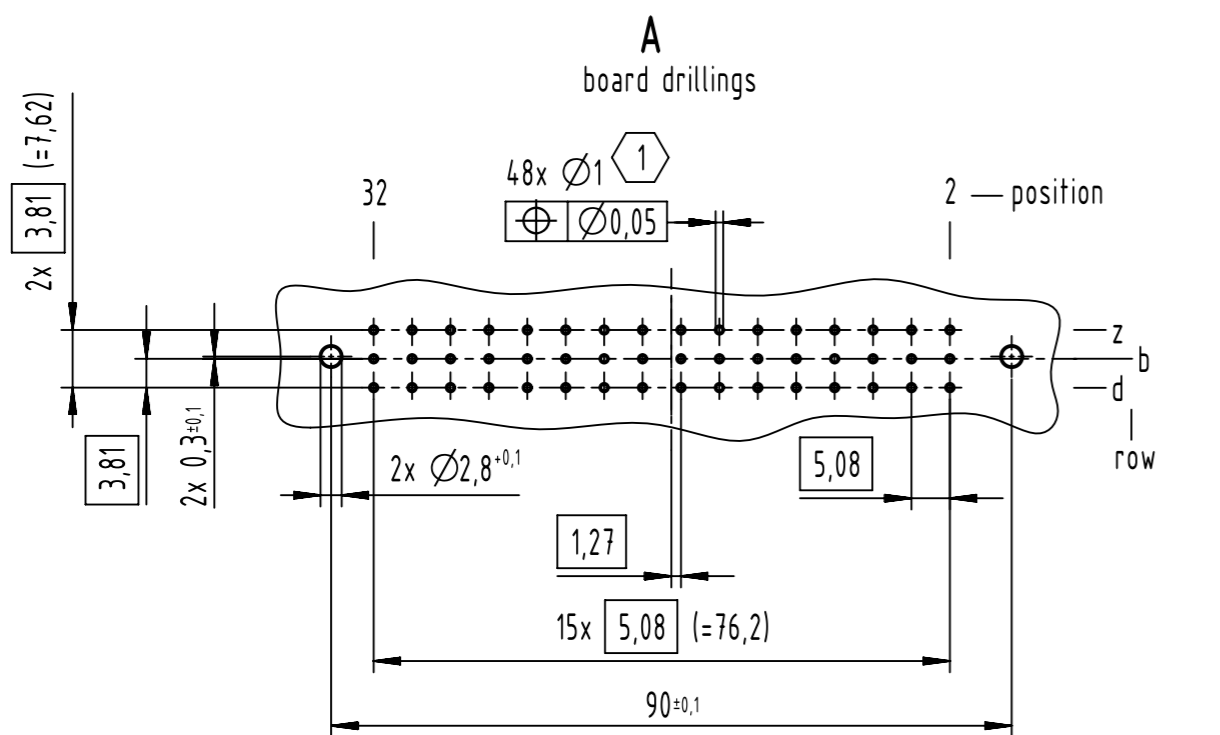


48 press-in-contacts

⊠ = position with contact

□ = position without contact



1 recommended configuration of plated through holes and further information see product data sheet

09 06 248 6838	2
part no.	performance level

All Dimensions in mm Original Size DIN A3		Scale 1:1	Free size tol. IEC 60603-2	Ref. Sub.
All rights reserved Department EL PD		Created by STORCK	Inspected by LEHNERT	Standardisation 302077
HARTING D-32339 Espelkamp		Title DIN Power type F low-profile female press-in 13.1		Date 2021-04-23
		Type TB	Number 0906248X838	State Final Release
				Doc-Key / ECM-Nr. 100102874/UGD/019/D 500000193842
				Rev. D Page 1/1