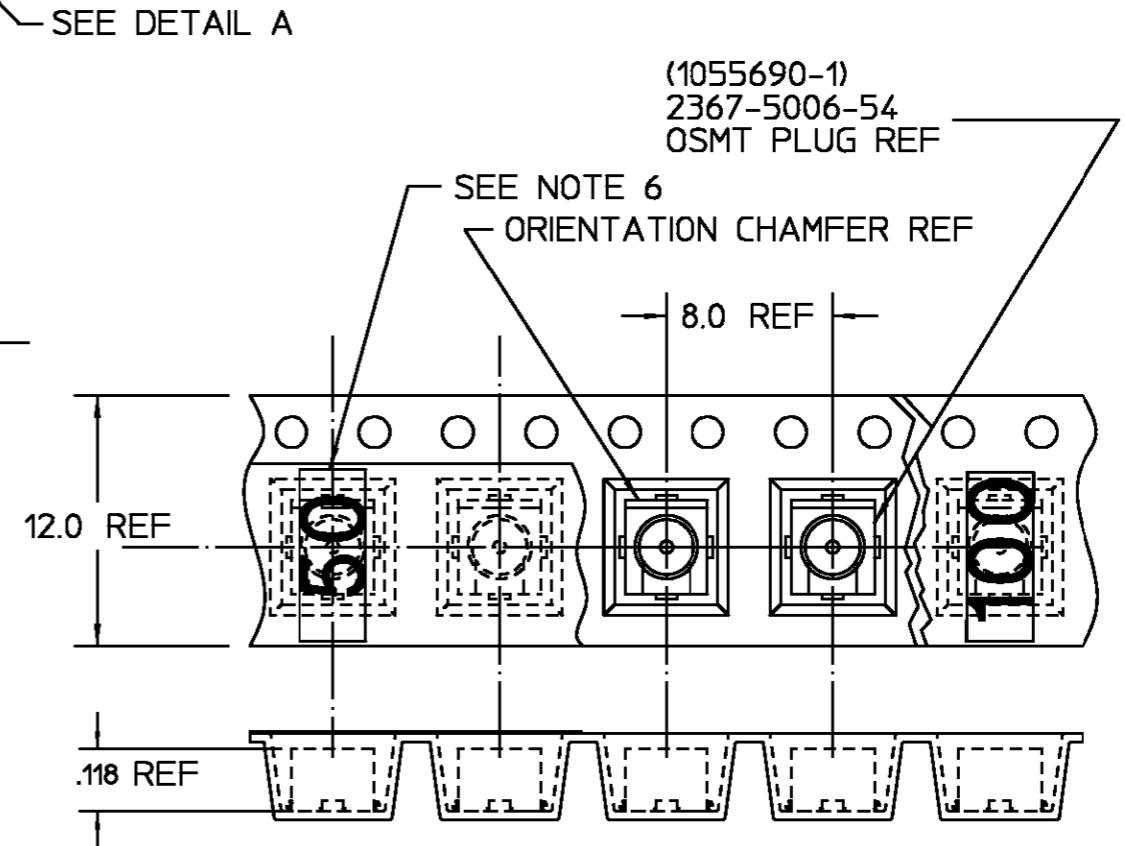
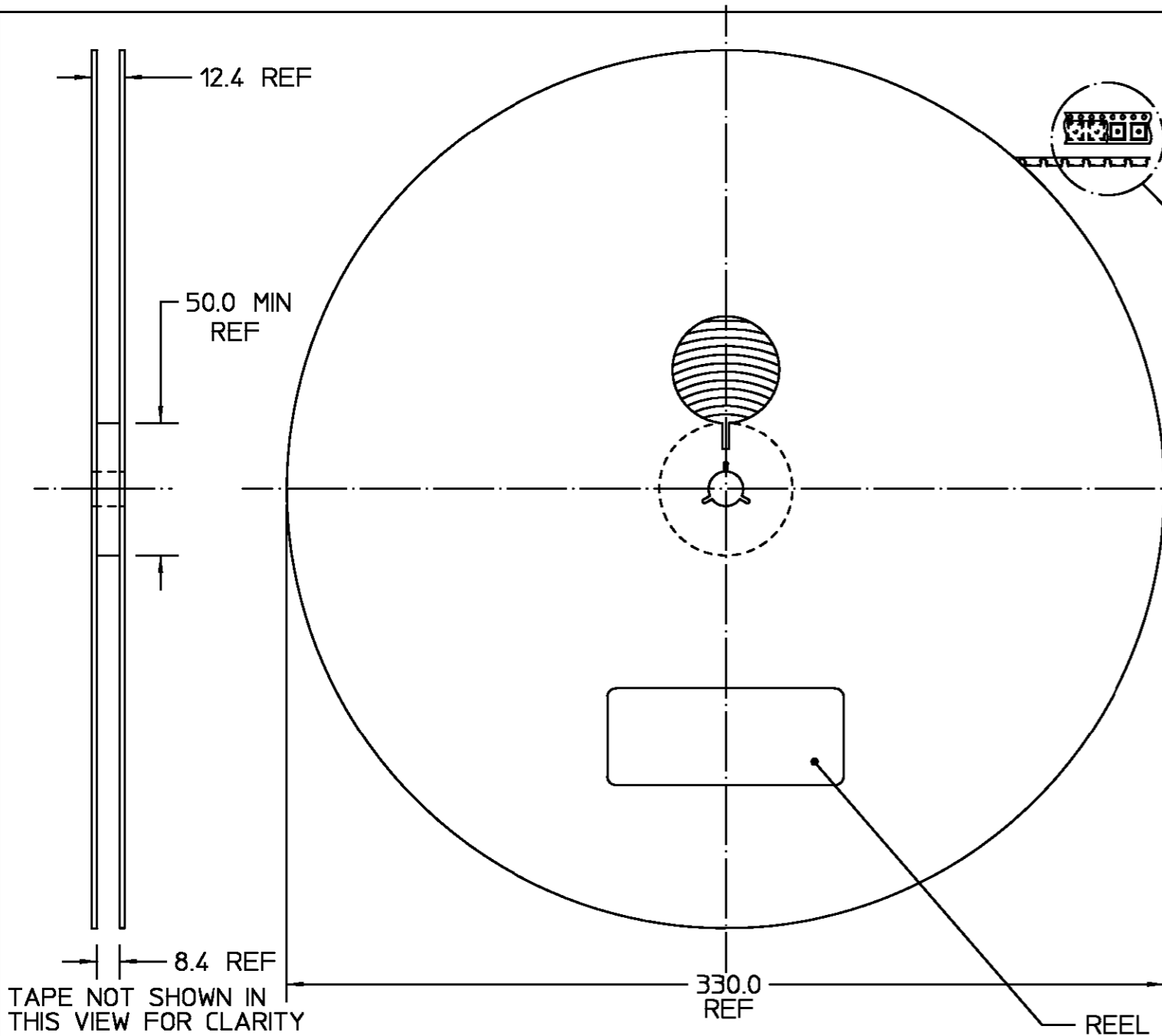


REVISIONS			
REV	DESCRIPTION	DATE	APPROVED
01 <sub>0</sub>	RELEASED	10/12/94	<i>PCW</i>
01 <sub>1</sub>	ADDED NOTE 6, PER ECN 9509439	10/02/95	<i>PCW</i> 10/4/95
01 <sub>2</sub>	UPDATED NOTE 4 & 5; ECN 95-0486-2	10/30/95	<i>PCW</i> 10/31/95



- NOTES
1. TAPE, REEL, AND TAPING SHALL MEET THE REQMT. OF EIA-481-1
  2. EMBOSSED TAPE SHALL BE CONDUCTIVE TYPE.
  3. FOR PART ORIENTATION IN TAPE SEE DETAIL A.
  4. REEL SHALL CONTAIN 2500 PIECES P/N 2304-98-01(1403857-1).
  5. REEL IDENTIFICATION LABEL SHALL BE PRINTED WITH REEL P/N 2367-5016-54(1055692-1), CONNECTOR P/N 2367-5006-54(1055690-1) MANUFACTURER (AMP), QTY, AND TAPING DATE AS A MINIMUM.
  6. LABEL EVERY 50<sup>th</sup> COMPONENT SEQUENTIALLY, FROM START TO END OF REEL.

UNLESS OTHERWISE SPECIFIED DIMENSIONS ARE IN MILLIMETERS. ALL ANGLES ARE DEGREES. FRAC. DEC. ANGLES - - -	DRAWN BY <i>PCW</i> DATE 6/3/94	<b>AMP</b>	AMP Incorporated	
	CHECKED BY		140 Fourth Avenue Waltham, MA 02451-7599	
These drawings and specifications are the property of M/A COM Incorporated and shall not be reproduced or copied or used in whole or in part as the basis for the manufacture or sale of item(s) without written permission.	APPD BY <i>PCW</i> DATE 10/12/94	TITLE TAPE AND REEL PACKAGING, OSMT PLUG, 330MM REEL (2500 PARTS PER REEL)		
		SIZE B	CODE DENT NO. 26805	2367-5016-54
		SCALE 1:2	PLATING AREA N/A	REV 01 <sub>2</sub>
				SHEET 1 OF 1