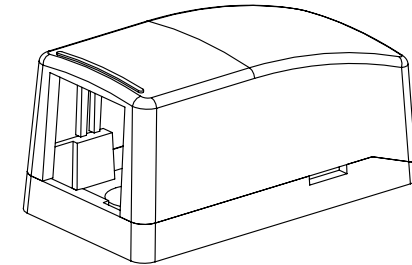
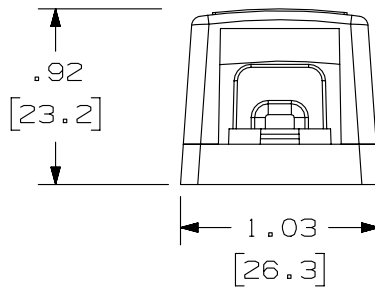
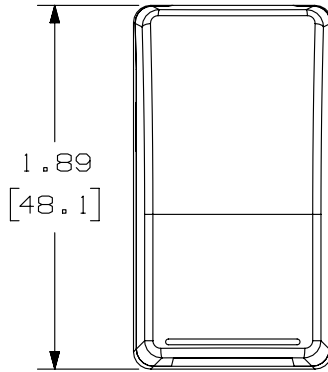


THIS COPY IS PROVIDED ON A RESTRICTED BASIS AND IS NOT TO BE USED IN ANY WAY DETRIMENTAL TO THE INTERESTS OF PANDUIT CORP.

PANDUIT P/N	WEIGHT
CBX1**-A	.20 LB/10 PCS (92 g/10 PCS)



NOTES:

1. SEE CURRENT CATALOG FOR ADDITIONAL PART NUMBER SUFFIXES TO INDICATE COLOR AND OR PACKAGE QUANTITY.
2. SEE CATALOG FOR A COMPLETE LIST OF PARTS APPLICABLE FOR USE WITH THIS PART.
3. DIMENSIONS IN [ ] ARE IN METRIC.
4. CAN BE USED WITH PAN-WAY LD3/LDPH3.
5. THE CBX1\*\*-A IS SUPPLIED WITH ONE LOOSE ADHESIVE BACKED MOUNT STRIP.
6. LOW PROFILE BOX HOLDS 1 STYLE POSITION MINI-COM CONNECTOR MODULE.

NO WARRANTY, EXPRESSED OR IMPLIED, IS MADE BY PANDUIT WITH RESPECT TO ADHESIVE BOND PERFORMANCE. AMONG OTHER THINGS, THE CONDITIONS UNDER WHICH THESE MOUNTS MAY BE APPLIED AND/OR THE SURFACE TO WHICH THEY MAY BE APPLIED ARE BEYOND PANDUIT'S CONTROL.

PART NUMBER		CBX1**-A	
TITLE			
MINI-COM 1 POSITION SURFACE MOUNT BOX			
CUSTOMER DRAWING			
ITEM REVISION NAME		M00248AA/00	
DATASET FILE NAME		M00248AA_DC/02B	
UNLESS OTHERWISE SPECIFIED, DIMENSIONAL TOLERANCES ARE: IN [ mm ]		MATERIAL:	
.x ± .1 [ 2.54 ]		.xxx ± .005 [ .127 ]	
.xx ± .01 [ .25 ]		ANGLES ± 5 °	
		DRAWING NUMBER:	
THIRD ANGLE PROJECTION		00248-05	
DRAWN BY	DATE	CHK	SCALE
JBA	4-28-99	PBD	NONE
SHT 1 OF 1			SIZE
			A

REV	DATE	BY	CHK	APR	DESCRIPTION	ECN
1	3/11/14	JSP	REFR	MMR	B. REDUCED TO ONE PAGE. A. REVISED DRAWING TITLE BLOCK.	00248-05
R	4-28-99	JBA	PBD	PBD	RELEASED TO PRODUCTION	00248-05

D10100DA/14