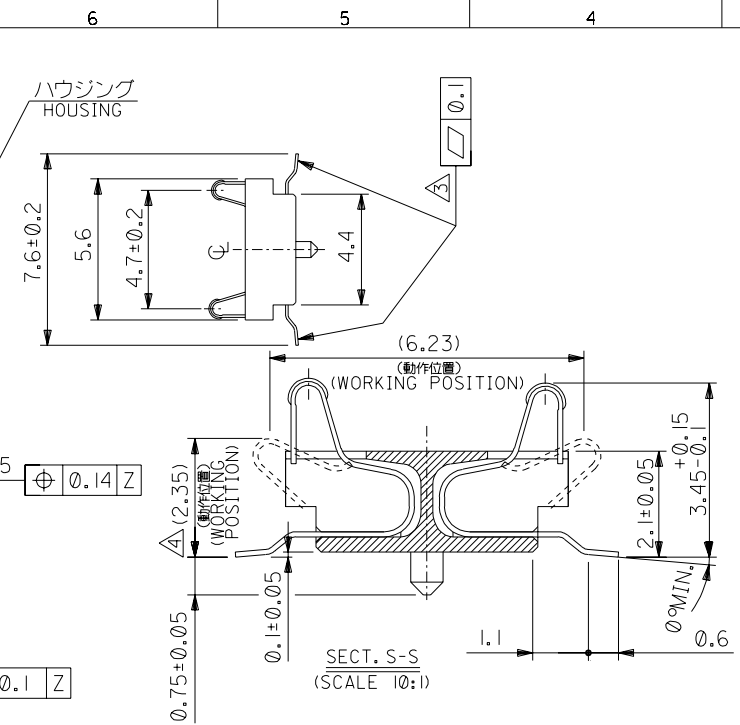
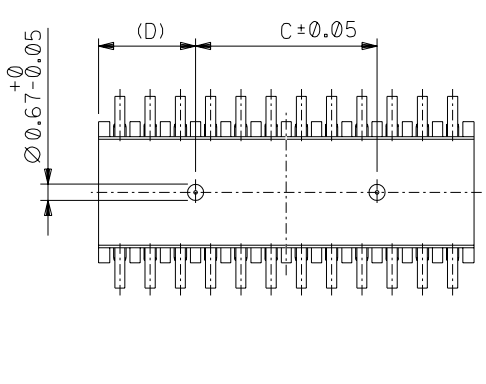
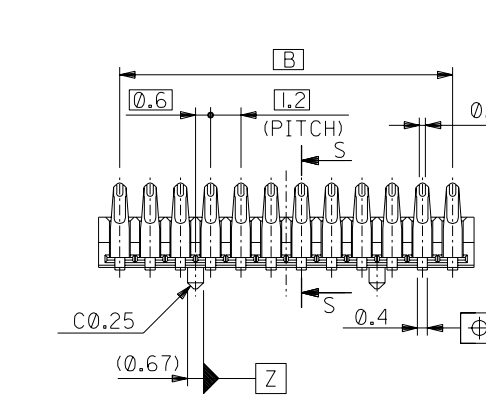
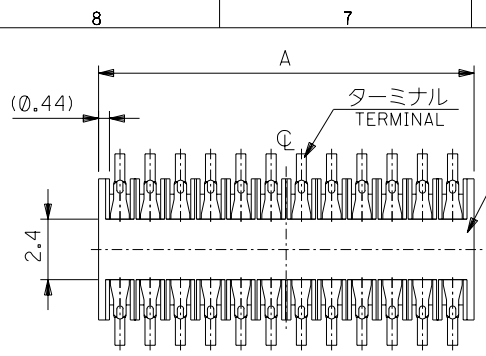


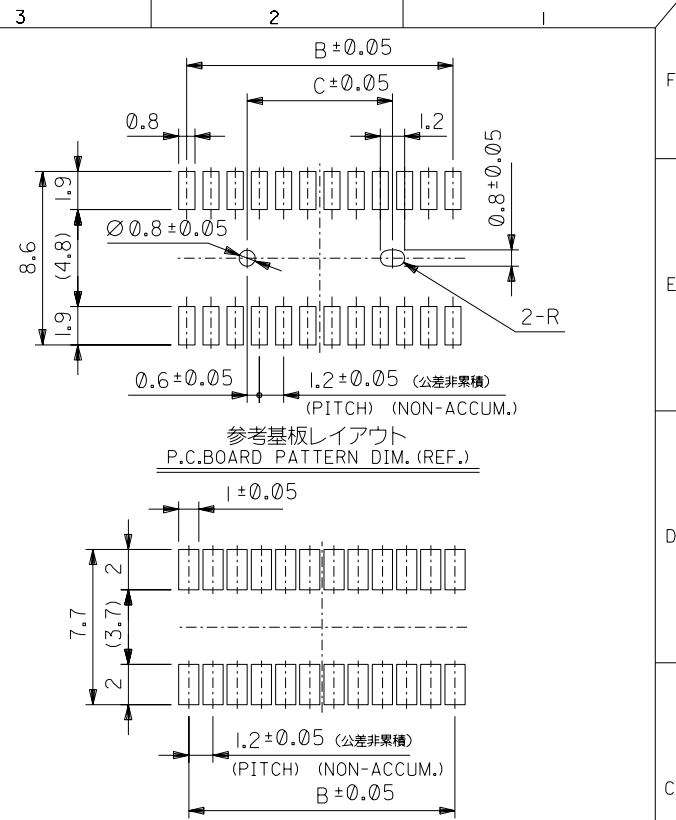
DO NOT SCALE DRAWING

DWG. NO. SD-54546-004



注記 NOTES

- 材質 MATERIAL
 ハウジング : 液晶ポリマー (黒) UL94V-0
 HOUSING : LIQUID CRYSTAL POLYMER [LCP], (BLACK), UL94V-0
 ターミナル : 焼青銅 (t=0.1)
 TERMINAL : PHOSPHOR BRONZE
 - メッキ仕様 PLATING
 接点部 : 金メッキ
 CONTACT AREA : Au PLATING 0.5 micro meter
 半田付け部 : 半田メッキ
 SOLDER TAIL AREA : Sn-Pb PLATING 3.0 micro meter
 下地メッキ : ニッケルメッキ
 UNDER PLATING : Ni PLATING 3.0 micro meter
- △ コネクタを水平面上に置いた状態にて維持する。
 TOLERANCES TO BE APPLIED WHEN ON A HORIZONTAL PLANE.
- ▲ 動作位置 (ストローク量 1.1mm) での接触力 : 0.46±0.05N {47±5gf}
 NORMAL FORCE AT WORKING POSITION (STROKE 1.1mm) : 0.46±0.05N {47±5gf}



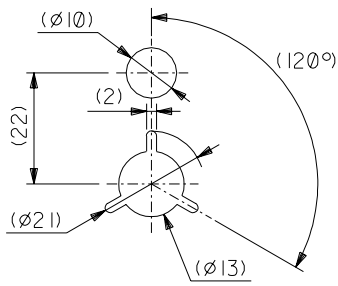
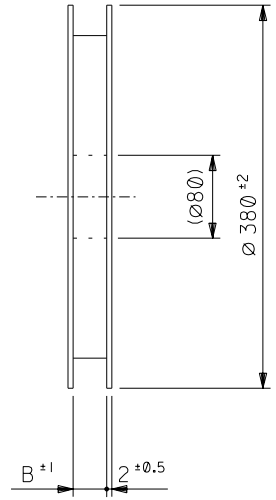
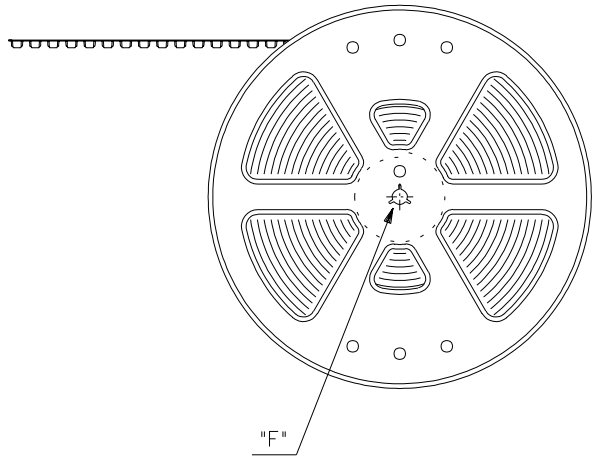
3.85	14.4	20.4	22.1	54546-3611	36
3.85	13.2	19.2	20.9	↑ -3411	34
3.85	12	18	19.7	↓ -3211	32
1.45	6	7.2	8.9	54546-1411	14
D	C	B	A	MATERIAL. NO.	極数 CIRCUIT

64NO. DRWN: CH'K: APPR: 変更 REVISIED 62NO. J2002-2638 DRWN: T.KAIHO '02/04/17 CH'K: T.IITO APPR: TO.YAMAGUCHI 変更 REVISIED 61NO. JC2001-0323 DRWN: T.YASUT '00/10/20 CH'K: T.IITO APPR: M.FUKUSHIMA 新規作成 RELEASED 60NO. JC90310 DRWN: K.TOJO99/03/05 CH'K: K.T.S.KUNISHI APPR: M.FUKUSHIMA	MATERIAL 材料 SEE NOTES FINISH 仕上げ // WIRE RANGE 適用線径範囲 // INS. RANGE 被覆外径 //	GENERAL TOLERANCES: (UNLESS SPECIFIED) 一般公差 10 UNDER 未満 ±0.1 ±0.2 10 OVER 30 UNDER 未満 ±0.25 30 OVER 以上 ±0.3 ANGLE 角度 ±3°	SCALE 5:1 DESIGN UNITS <input checked="" type="checkbox"/> mm <input type="checkbox"/> INCH DRAWN BY & DATE K.TOJO '98/11/24 CHECKED BY & DATE T.IITO '02/04/17 APPROVED BY & DATE TO.YAMAGUCHI '02/04/17 CAD FILENAME 54546004.S01	DIMENSIONS: <input type="checkbox"/> mm <input type="checkbox"/> INCH <input checked="" type="checkbox"/> mm ONLY SHT 22 REV ON CAD ONLY	TITLE: 1.2mm PITCH DUAL ONE PIECE Conn HOUSING Assy MOLEX MOLEX INCORPORATED MATERIAL NO. 54546-***11 DRAWING NO. SD-54546-004 SHEET NO. 1

THIS DRAWING CONTAINS INFORMATION THAT IS PROPRIETARY TO MOLEX INCORPORATED AND SHOULD NOT BE USED WITHOUT WRITTEN PERMISSION. SIZE B

DWG. NO. SD-54546-005

引き出し方向
PULL OUT
DIRECTION



DETAIL "F"

注記 NOTES

- 梱包数量：1000個/リール
NUMBER OF CONNECTORS : 1000PCS/REEL
- リードテープ長さ LEAD TAPE LENGTH
- トップテープの剥離強度：0.1N ~ 0.7N(10.2gf ~ 71.4gf)
(剥離方向は下図参照)
尚、本規格値は出荷時に適用。(但し、輸送時に剥離が発生しないこと。)
PEELING OFF FORCE OF TOP TAPE : 0.1N ~ 0.7N(10.2gf ~ 71.4gf)
(PEELING DIRECTION AS SHOWN IN FOLLOWING FIG.)
THIS REQUIREMENT SHOULD BE APPLIED AT SHIPMENT.
PEEL OFF SHOULD NOT BE ALLOWED , DURING TRANSPORTATION.
- 材料(MATERIAL)
キャリアテープ(CARRIER TAPE)：ポリプロピレン(POLYPROPYLENE)
トップテープ(TOP TAPE)：PET, PE, PEF
リール(REEL)：ポリスチレン(P.S) <リサイクル材を含む>
POLYSTYREN(P.S) <RECYCLE MATERIAL CONTAINED>

54546-3611	54546-3690	36
↑ -3411	↑ -3490	34
↓ -3211	↓ -3290	32
54546-1411	54546-1490	14
CONNECTOR	MATERIAL NO.	CKT. 極数

DO NOT SCALE DRAWING

REVISED '02/04/17 DRAWN: T.KAIHO CHK: T.IITO APPR: T.YAMAGUCHI	REVISED '01/2/8 DRAWN: C.OKUYAMA CHK: T.IITO APPR: M.FUKUSHIMA 10/31	REVISED '00/10/30 DRAWN: T.YASUI CHK: T.IITO APPR: M.FUKUSHIMA 10/31	PROPOSED '99/03/18 DRAWN: Y.KANNO CHK: T.S.KUNISHI APPR: M.FUKUSHIMA
C	B	A	0

MATERIAL 材料	SEE NOTES
FINISH 仕上げ	//
WIRE RANGE 適用線径範囲	//
INS. RANGE 被覆外径	//

GENERAL TOLERANCES: (UNLESS SPECIFIED) 一般公差	SCALE	DESIGN UNITS
10 UNDER 未満	1:1	mm
10 OVER 30 UNDER 未満		mm
30 OVER 以上		mm
ANGLE 角度		

MODEL NO. 54546-**90	DRAWN BY & DATE Y.KANNO '98/11/26
	CHECKED BY & DATE T.IITO '02/04/17
	APPROVED BY & DATE T.YAMAGUCHI '02/04/17
CAD FILENAME 54546005.S01	

TITLE: 1.2 DUAL ONE PIECE Conn Hsg Assy Embstp Pkg	MATERIAL NO. 54546-**90	DRAWING NO. SD-54546-005	SHEET NO. 1 / 4
MOLEX INCORPORATED		SIZE B	

THIS DRAWING CONTAINS INFORMATION THAT IS PROPRIETARY TO MOLEX INCORPORATED AND SHOULD NOT BE USED WITHOUT WRITTEN PERMISSION.

DWG. NO. SD-54546-005

F

D

V

C

B

DO NOT SCALE DRAWING

8 7 6 5 4 3 2 1

F

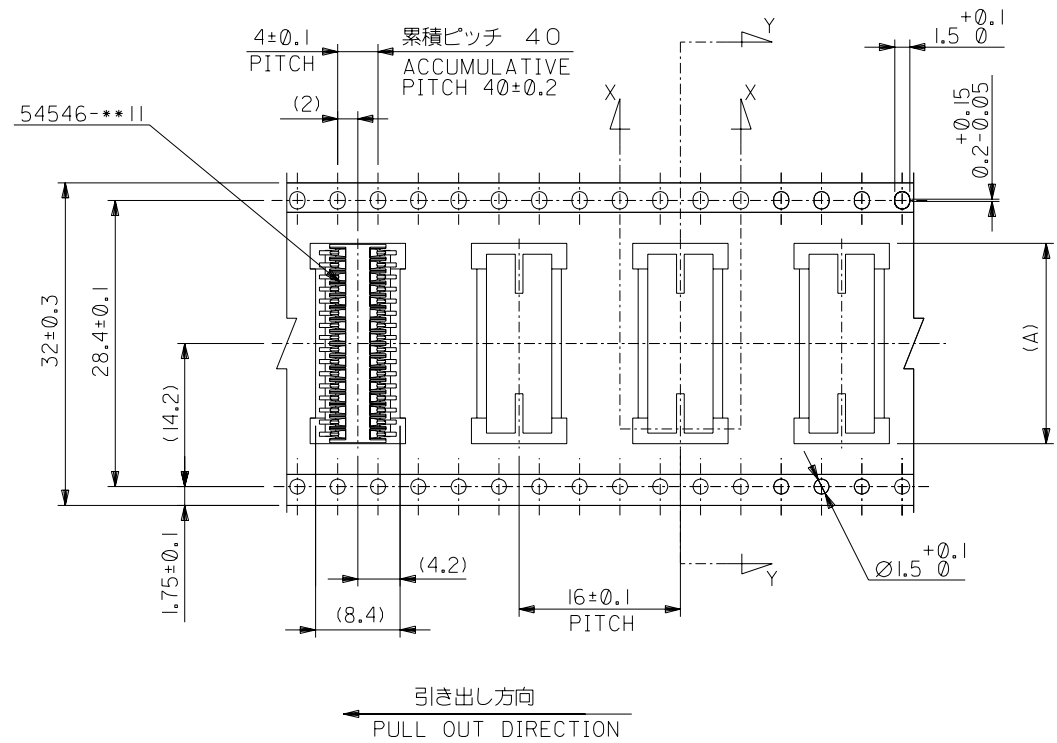
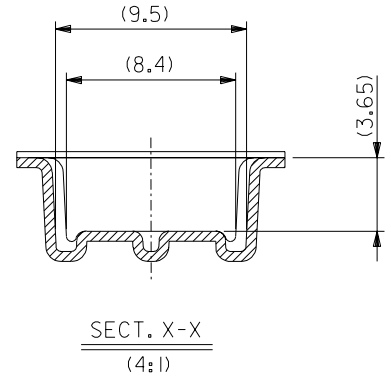
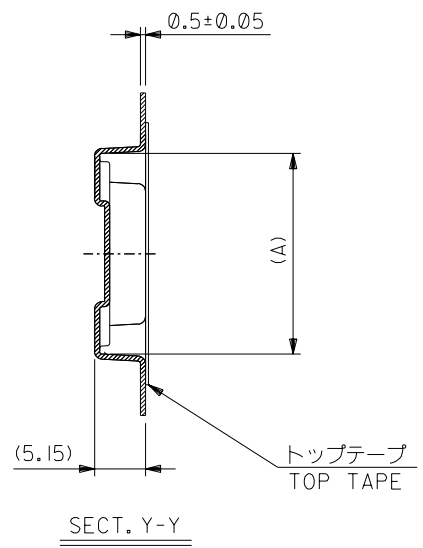
E

D

C

B

A



32mm幅キャリアテープ
32mm WIDTH CARRIER TAPE

32	33.5	20	54546-3290	32
キャリアテープ幅 CARRIER TAPE WIDTH	B	(A)	MATERIAL. NO.	極数 CIRCUIT

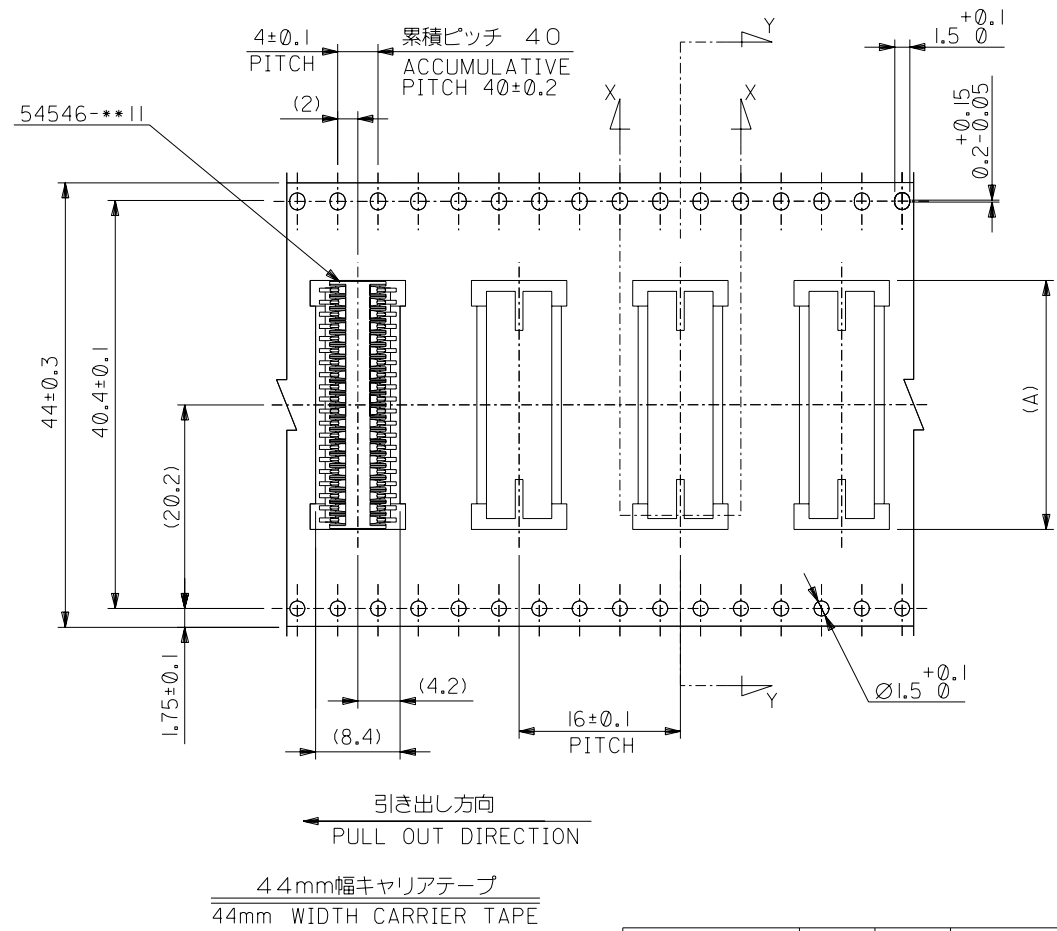
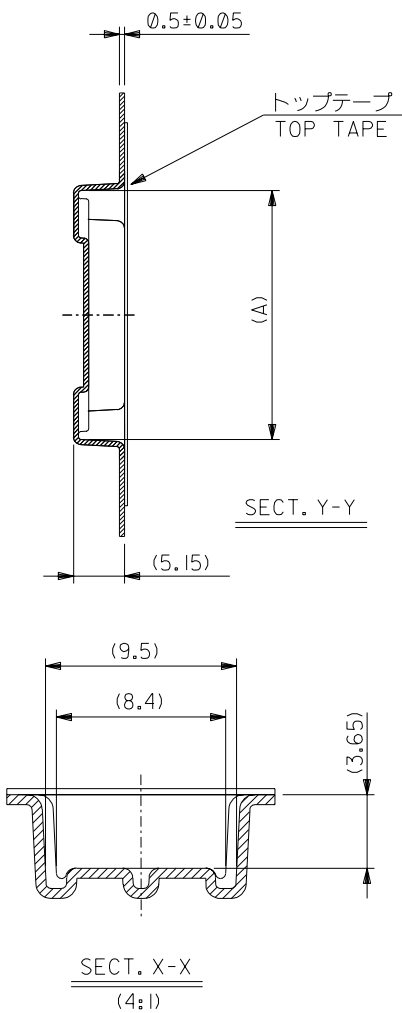
MODEL NO.	54546-***90	DIMENSIONS:	SHT	REV
		<input type="checkbox"/> mm <input type="checkbox"/> INCH <input checked="" type="checkbox"/> mm ONLY	2	1
		2θ 2θ 45° 45° PROJECTION	REVISE ON CAD ONLY	

GENERAL TOLERANCES: (UNLESS SPECIFIED) 一般公差	SCALE 2:1	DESIGN UNITS <input checked="" type="checkbox"/> mm <input type="checkbox"/> INCH	DRAWN BY & DATE Y.KANNO 98/11/26	TITLE: 1.2 DUAL ONE PIECE Conn Hsg Assy Embstp Pkg
10 UNDER 未満	±0.2		CHECKED BY & DATE T.ITO 02/04/17	
10 OVER 以上 30 UNDER 未満	±0.25		APPROVED BY & DATE TO.YAMAGUCHI 02/04/17	
30 OVER 以上	±0.3		CAD FILENAME 54546005.S02	
ANGLE 角度	±3°		MATERIAL NO. 54546-***90	DRAWING NO. SD-54546-005

MATERIAL 材料	SHEET NO.1 参照 SEE SHEET NO.1
FINISH 仕上げ	//
WIRE RANGE 適用層線範囲	//
INS. RANGE 被覆外径	//

REV	DESCRIPTION
6	PROPOSED '99/03/18 DRAWN: Y.KANNO CHK: T.S.KUNISHI APPR: M.FUKUSHIMA
5	SHEET NO.1 参照 SEE SHEET NO.1
4	PROPOSED '02/04/17 DRAWN: T.YASUI CHK: T.ITO APPR: M.FUKUSHIMA
3	REVISED '02/04/17 DRAWN: T.KAIHO CHK: T.ITO APPR: TO.YAMAGUCHI
2	REVISED '01/2/8 DRAWN: C.OKUYAMA CHK: T.ITO APPR: M.FUKUSHIMA
1	REVISED '02/00/1-0651 DRAWN: C.OKUYAMA CHK: T.ITO APPR: M.FUKUSHIMA

DWG. NO. SD-54546-005



44	45.5	22.4	54546-3690	36
		21.2	54546-3490	34
キャリアテープ幅 CARRIER TAPE WIDTH	B	(A)	MATERIAL. NO.	極数 CIRCUIT

1684NO. DRWN: CH'K: APPR:	REVISED '02/04/17 63NO. J2002-2638 DRWN: T.KAIHO CH'K: T.IITO APPR: T.YAMAGUCHI	REVISED '01/2/8 62NO. JC2001-0651 DRWN: C.OKUYAMA CH'K: T.IITO APPR: M.FUKUSHIMA 10/31	REVISED 61NO. JC2001-0323 DRWN: T.YASUI '00/10/30 CH'K: T.IITO APPR: M.FUKUSHIMA 10/31	PROPOSED '99/03/18 60NO. JC9003 10 DRWN: Y.KANNO CH'K: T.S.KUNISHI APPR: M.FUKUSHIMA
DO NOT SCALE DRAWING	C	B	A	⊙

MATERIAL 材料	SHEET NO.1 参照 SEE SHEET NO.1
FINISH 仕上げ	//
WIRE RANGE 適用線径範囲	//
INS. RANGE 被覆外径	//

GENERAL TOLERANCES: (UNLESS SPECIFIED) 一般公差	SCALE 2:1	DESIGN UNITS mm INCH
10 UNDER 未満	±0.2	<input checked="" type="checkbox"/> mm <input type="checkbox"/> INCH
10 OVER 以上	±0.25	<input type="checkbox"/> mm <input checked="" type="checkbox"/> INCH
30 UNDER 未満	±0.25	
30 OVER 以上	±0.3	
ANGLE 角度	±3°	

MODEL NO. 54546-***90	DIMENSIONS: mm INCH mm ONLY	SHT 4 / 4	REV
DRAWN BY & DATE Y.KANNO '98/11/26 CHECKED BY & DATE T.IITO '02/04/17 APPROVED BY & DATE TO.YAMAGUCHI '02/04/17 CAD FILENAME 54546005.S03	TITLE: 1.2 DUAL ONE PIECE Conn Hsg Assy Embstp Pkg MOLEX MOLEX INCORPORATED	MATERIAL NO. 54546-***90	DRAWING NO. SD-54546-005
THIS DRAWING CONTAINS INFORMATION THAT IS PROPRIETARY TO MOLEX INCORPORATED AND SHOULD NOT BE USED WITHOUT WRITTEN PERMISSION.		SIZE B	

DWG. NO. SD-54546-005

F

D

V

C

B

DO NOT SCALE DRAWING

8 7 6 5 4 3 2 1

F

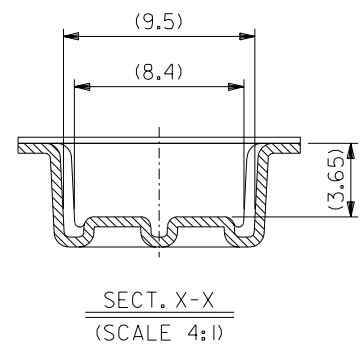
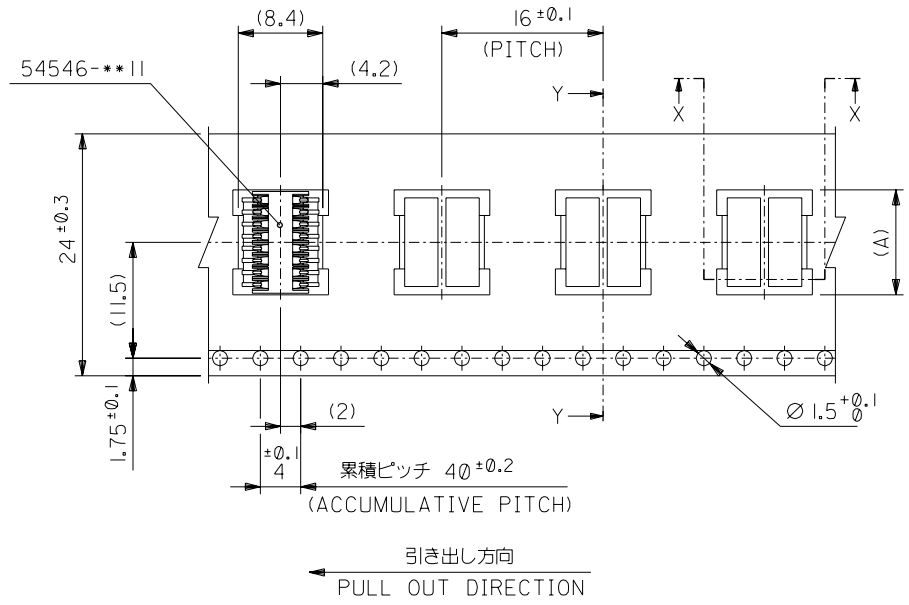
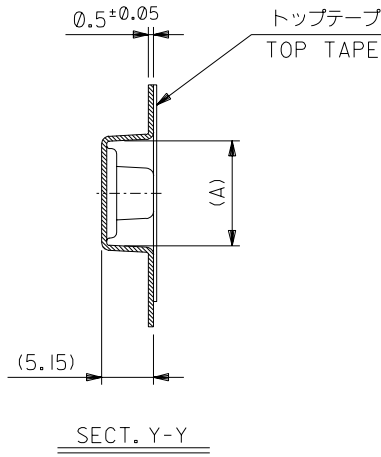
E

D

C

B

A



REVISED '02/04/17 DRAWN: T.KAIHO CHK: T.ITO APPR: TO.YAMAGUCHI	REVISED '01/2/8 DRAWN: C.OKUYAMA CHK: T.ITO APPR: M.FUKUSHIMA 10/31	REVISED '00/10/30 DRAWN: T.YASUI CHK: T.ITO APPR: M.FUKUSHIMA 10/31	MATERIAL 材料 SEE SHEET NO.1 参照 SEE SHEET NO.1
C	B	A	FINISH 仕上げ //
			WIRE RANGE 適用線径範囲 //
			INS. RANGE 被覆外径 //

GENERAL TOLERANCES: (UNLESS SPECIFIED) 一般公差	SCALE 2:1	DESIGN UNITS mm INCH	PROJECTION FIRST ANGLE
10 UNDER 未満	±0.2		
10 OVER 以上	±0.25		
30 UNDER 未満	±0.25		
30 OVER 以上	±0.3		
ANGLE 角度	±3°		

MODEL NO. 54546-**-90	DIMENSIONS: mm INCH mm ONLY	MATERIAL NO. 54546-1490	SHT 14	REV 種数
DRAWN BY & DATE T.YASUI '00/10/30		TITLE: 1.2 DUAL ONE PIECE Conn Hsg Assy Embstp Pkg		
CHECKED BY & DATE T.ITO '02/04/17		MOLEX MOLEX INCORPORATED		
APPROVED BY & DATE TO.YAMAGUCHI '02/04/17		MATERIAL NO. 54546-**-90	DRAWING NO. SD-54546-005	SHEET NO. 2 / 4
CAD FILENAME 54546005.S04				SIZE B
THIS DRAWING CONTAINS INFORMATION THAT IS PROPRIETARY TO MOLEX INCORPORATED AND SHOULD NOT BE USED WITHOUT WRITTEN PERMISSION.				EN-02J(097) MXJ-54

8 7 6 5 4 3 2 1

54546005.S04