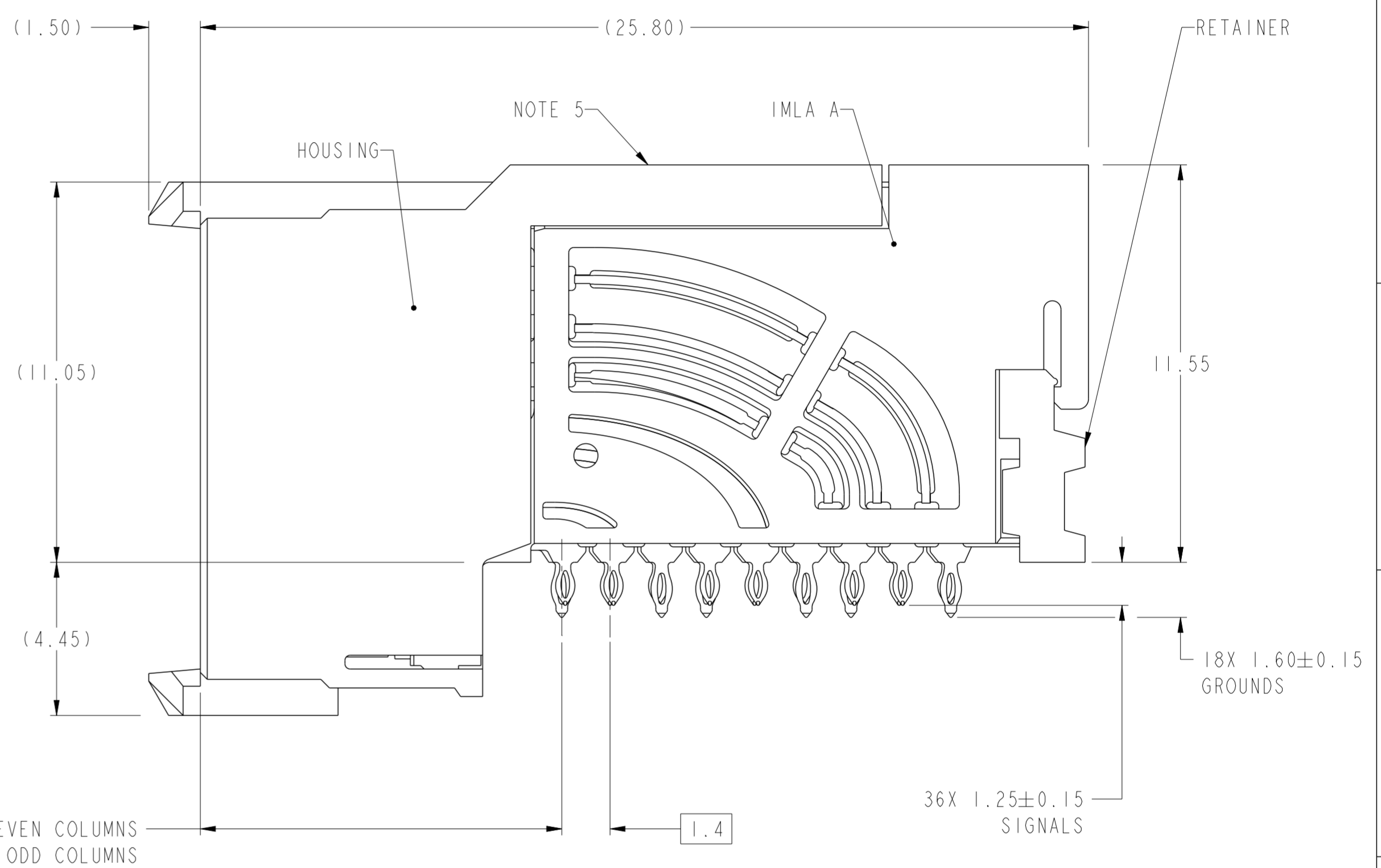
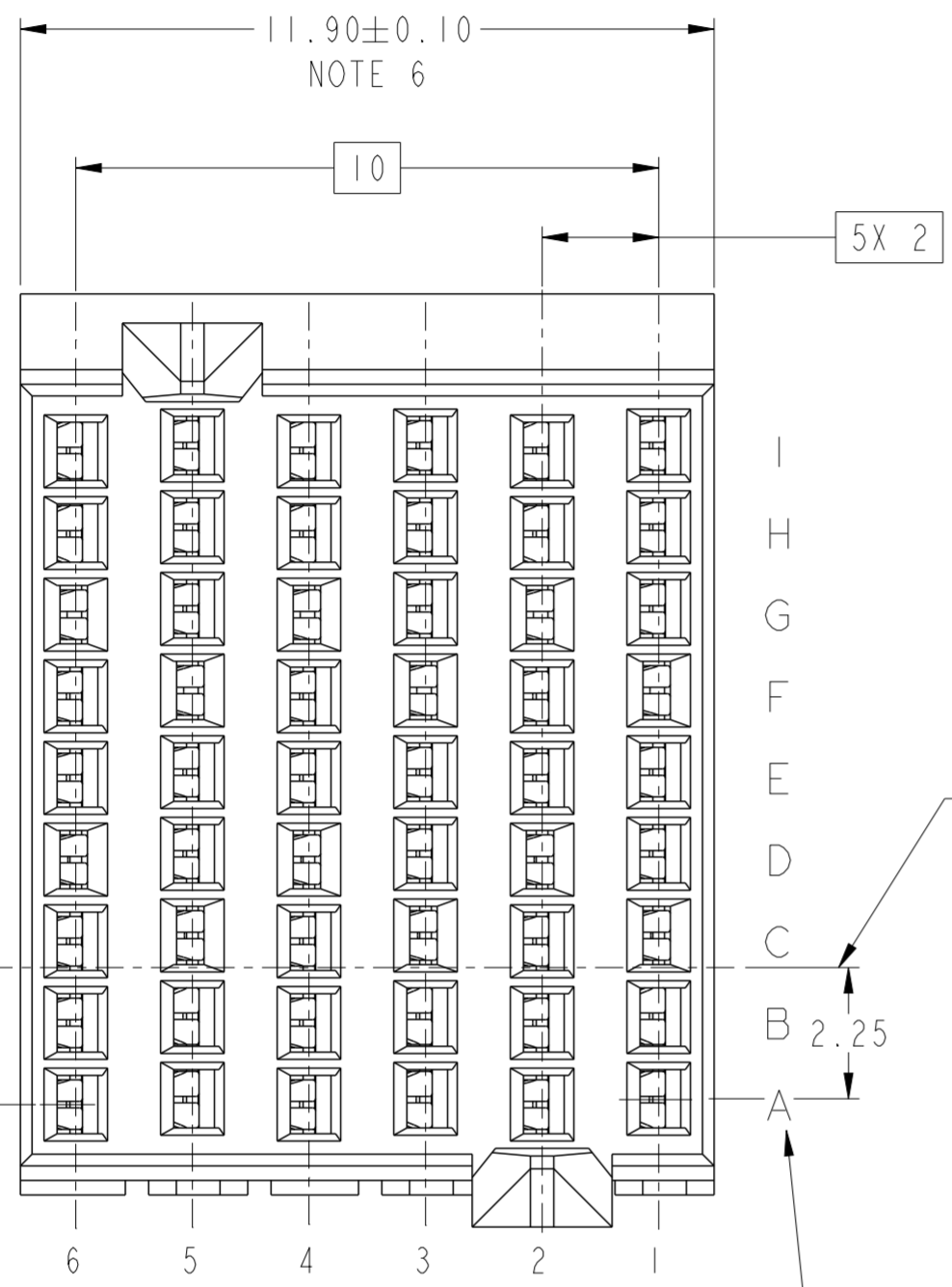


PRODUCT NUMBER  
SEE SHEET 3



TOP SURFACE OF DAUGHTER CARD

2.35

2.25

10.50 $\phi$  OF EVEN COLUMNS  
10.60 $\phi$  OF ODD COLUMNS

1.4

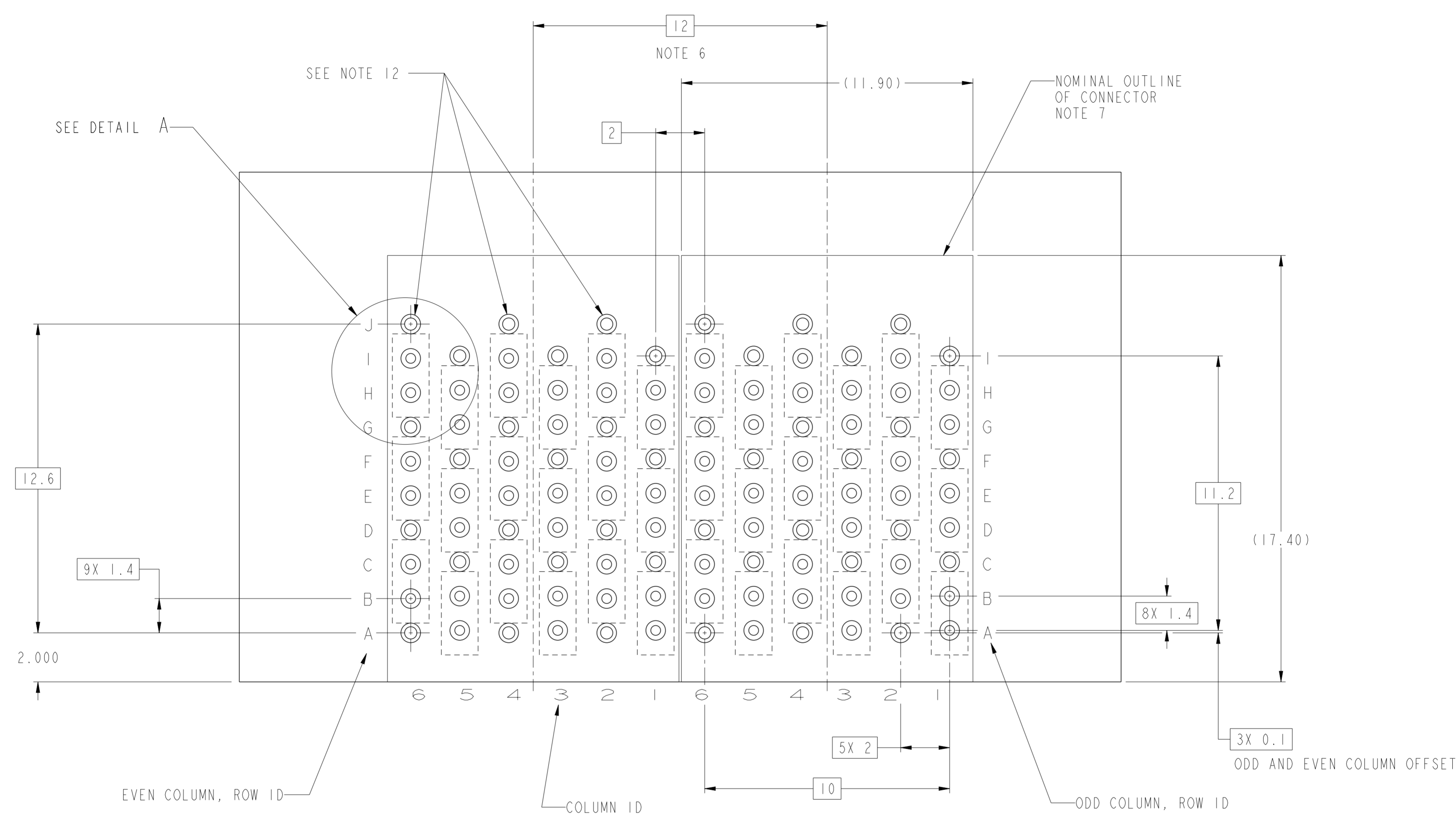
36X 1.25 $\pm$ 0.15 SIGNALS

18X 1.60 $\pm$ 0.15 GROUNDS

EVEN COLUMN, CONTACT ROW ID  
ODD AND EVEN COLUMNS ARE OFFSET

ODD COLUMN, CONTACT ROW ID

spec ref	---	dr	Johnescu, Doug	2011/1007	projection	MM	size	A2	scale	1:1	
tolerance std	ASME Y14.5M	eng	Terry Luo	2019/04/23			ecn no	ELX-DG-33321-1	title AIRMAX VSE R.A. RECEPTACLE ASS'Y, 3 PAIR, 54 POS, 6 IMLA, 12MM	rel level	Released
TOLERANCES UNLESS OTHERWISE SPECIFIED		chr	-	product family			AirMax VSE	rel level		Released	
surface	linear 0.X ±.3 0.XX ±.10 0.XXX ±.050 angular 0° ±°	appr	Heaven Cen	2019/04/26			dwg no	10115910		rev	C
		Amphenol FCI		cat. no.	-	Product - Customer Drw		sheet 1 of 3			

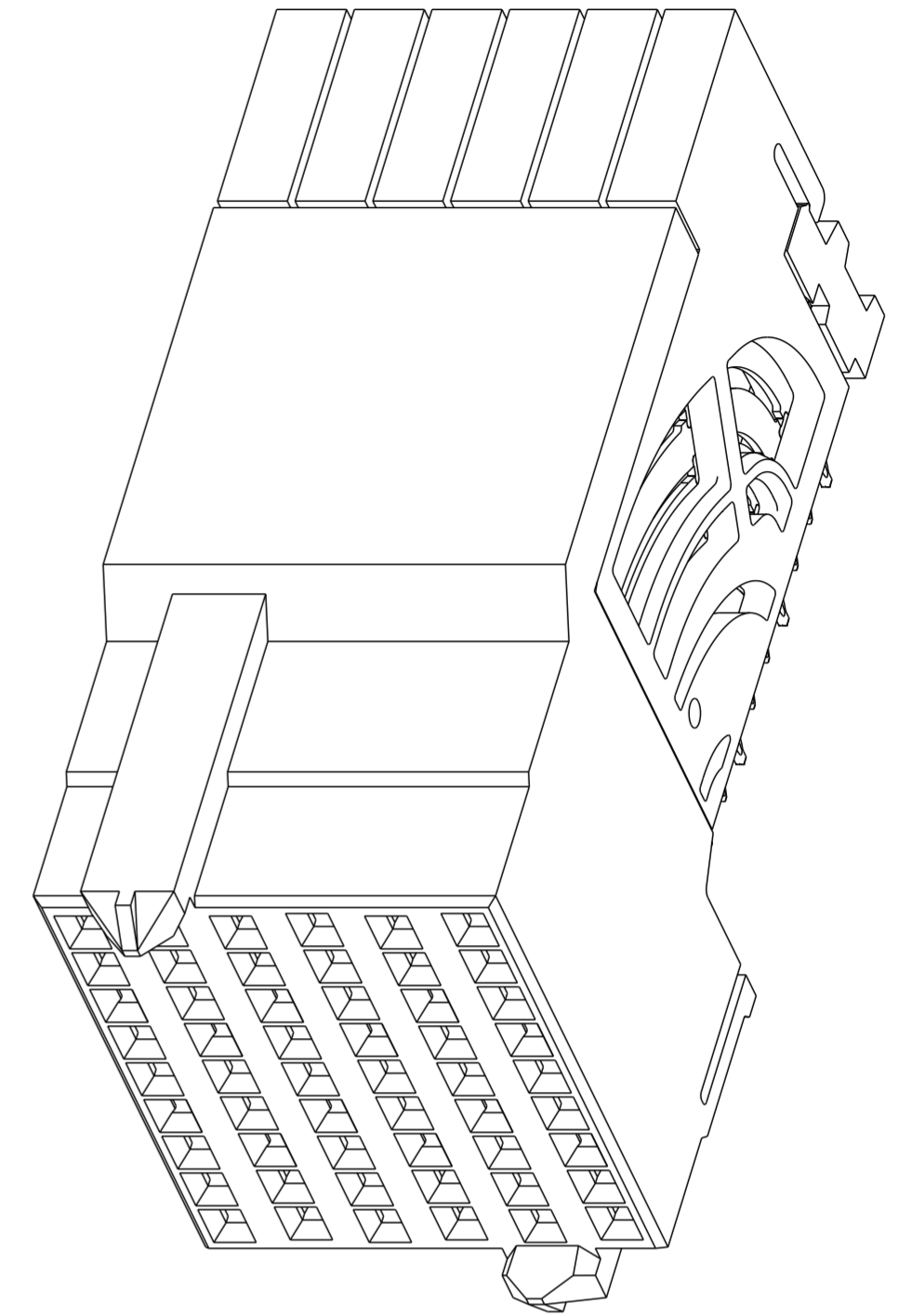


RECOMMENDED PCB LAYOUT  
FOR DIFFERENTIAL APPLICATIONS  
COMPONENT SIDE  
(TWO ADJACENT FOOTPRINTS SHOWN)  
NOTES 6, 8, & 11

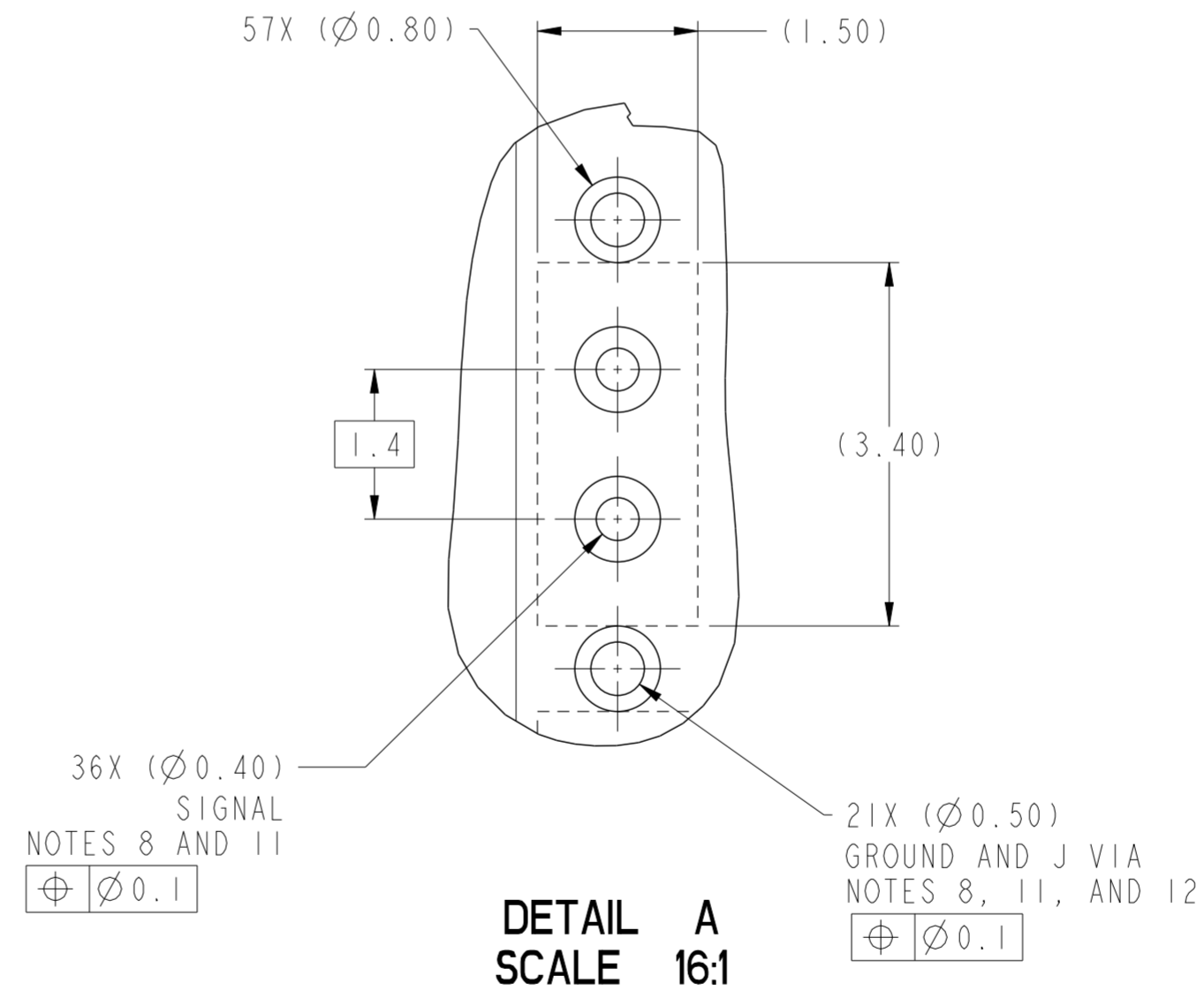
spec ref	---	dr	Johnescu, Doug	2011/1007	projection	MM	size	A2	scale	1:1
tolerance std	ASME Y14.5M	eng	Terry Luo	2019/04/23			ecn no	ELX-DG-33321-1		
TOLERANCES UNLESS OTHERWISE SPECIFIED		chr	-				rel level	Released		
		appr	Heaven Cen				2019/04/26	Product - Customer Drw		
surface	-	linear	0.X	±.3		<b>AIRMAX VSE R.A. RECEPTACLE</b> ASS'Y, 3 PAIR, 54 POS, 6 IMLA, 12MM	dwg no 10115910	rev C	cat. no. -	sheet 2 of 3
	0.XX	±.10								
	0.XXX	±.050								
		angular	0°	±°						

PRODUCT NUMBER	PRESS-FIT TAIL PLATING TYPE
10115910-101	TIN/LEAD ALLOY OVER NICKEL
10115910-101LF	TIN OVER NICKEL (LEAD FREE)

- 1 - CONNECTOR MATERIALS:  
HOUSING: HIGH TEMP THERMOPLASTIC, NATURAL, UL94-V0  
IMLA PLASTIC: HIGH TEMP THERMOPLASTIC, BLACK, UL94-V0  
CONTACT: COPPER ALLOY  
ORGANIZER: HIGH TEMP THERMOPLASTIC, WHITE, UL94-V0
- 2 - CONTACT PLATING:  
SEPARABLE INTERFACE:  
PERFORMANCE-BASED PLATING, QUALIFIED TO MEET THE REQUIREMENTS OF FCI PRODUCT SPECIFICATION GS-12-0956 INCLUDING TELCORDIA GR-1217-CORE (NOVEMBER 1995) CENTRAL OFFICE TEST SEQUENCE
- PRESS-FIT TAILS: SEE TABLE
- 3 - PRODUCT SPECIFICATION: GS-12-0956
- 4 - APPLICATION SPECIFICATION: GS-20-0305.
- 5 - PRODUCT MARKING, (PART NUMBER & LOT CODE), ON THIS SURFACE.
- 6 - THE MINIMUM CENTERLINE SPACING BETWEEN ADJACENT MODULES IS 12.0 MM.
- 7 - CONNECTOR OUTLINE MAY BE SCREEN PRINTED ONTO CUSTOMER PCB TO BE USED AS A GUIDE FOR MANUAL CONNECTOR PLACEMENT.
- 8 - REFER TO CUSTOMER DRAWING 10104444 FOR INFORMATION ON PCB HOLE DIAMETERS AND PLATING OPTIONS
- 9 - LEAD FREE PRODUCT MEETS THE EUROPEAN UNION DIRECTIVES & OTHER COUNTRY REGULATIONS AS DESCRIBED IN GS-22-008
- 10 - PACKAGING MEETS GS-14-920 LEAD FREE LABELING SPECIFICATION.
- 11 - GROUND CONTACTS (C,F, AND I IN ODD COLUMNS AND A, D, AND G, EVEN COLUMNS) REQUIRE (Ø0.500) FINISHED HOLES. SIGNAL LOCATIONS REQUIRE (Ø0.400) FINISHED HOLES.
- 12 - THESE OUTER VIAS (J) ARE OPTIONAL. WHILE NO CONNECTOR EONS ARE PRESSED INTO THESE HOLES WE RECCOMEND (Ø0.500) FINISHED HOLES AT THESE LOCATIONS TO PROVIDE GROUND SYMMETRY THROUGH THE PCB.



10115910-101 OR -101LF



spec ref	---	dr	Johnescu, Doug	2011/1007	projection	MM	size	A2	scale	4:1												
tolerance std	ASME Y14.5M	eng	Terry Luo	2019/04/23			ecn no	ELX-DG-33321-1														
TOLERANCES UNLESS OTHERWISE SPECIFIED		chr	-				rel level	Released														
		appr	Heaven Cen				product family															
surface	<table border="1"> <tr> <td>linear</td> <td>0.X</td> <td>±.3</td> </tr> <tr> <td></td> <td>0.XX</td> <td>±.10</td> </tr> <tr> <td></td> <td>0.XXX</td> <td>±.050</td> </tr> <tr> <td>angular</td> <td>0°</td> <td>±°</td> </tr> </table>	linear	0.X	±.3		0.XX	±.10		0.XXX	±.050	angular	0°	±°			<b>title</b> AIRMAX VSE R.A. RECEPTACLE ASS'Y, 3 PAIR, 54 POS, 6 IMLA, 12MM		<b>dwg no</b> 10115910	<b>rev</b> C			
linear	0.X	±.3																				
	0.XX	±.10																				
	0.XXX	±.050																				
angular	0°	±°																				
		cat. no.		Product - Customer Drw			sheet 3 of 3															

PDS: Rev :C

STATUS:Released

Printed: Apr 26, 2019