

RoHS COMPLIANT BY EXEMPTION

TABLE FOR PART NUMBERS

MOLEX PART#	FCT PART#	X-X	A [mm]	B [mm]	C [mm]	E* [mm]	F* [mm]	NO. OF CONTACTS 1./2./3. ROW	FORMERLY PART NO
1731130153	F09-15P135G0-5979	09-15	30.8	16.9	25	Ø 1.1	Ø 3	5/5/5	CT09-15P135-5805
1731130154	F15-26P135G0-5979	15-26	39.1	25.2	33.3			9/9/8	CT15-26P135-5805
1731130155	F25-44P135G0-5979	25-44	53	38.9	47.04			15/15/14	CT25-44P135-5805

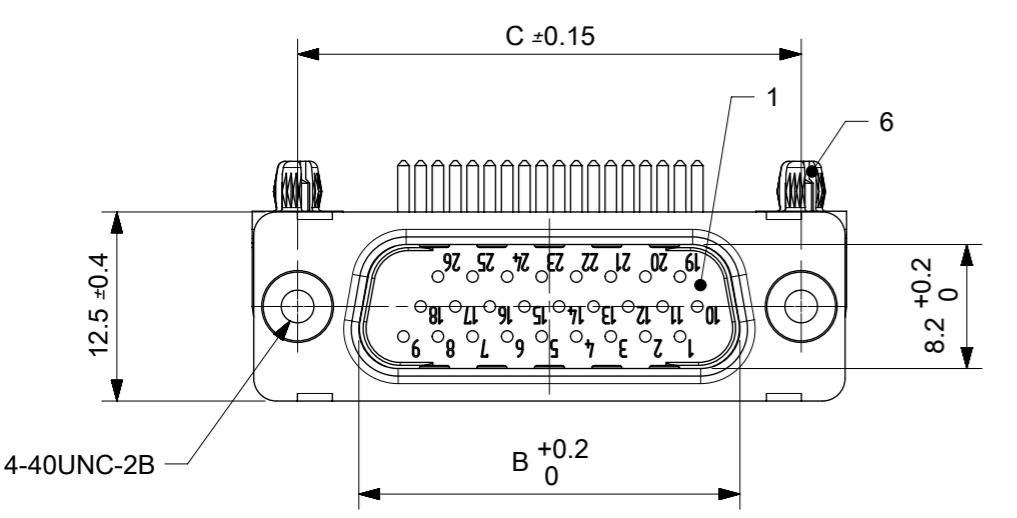
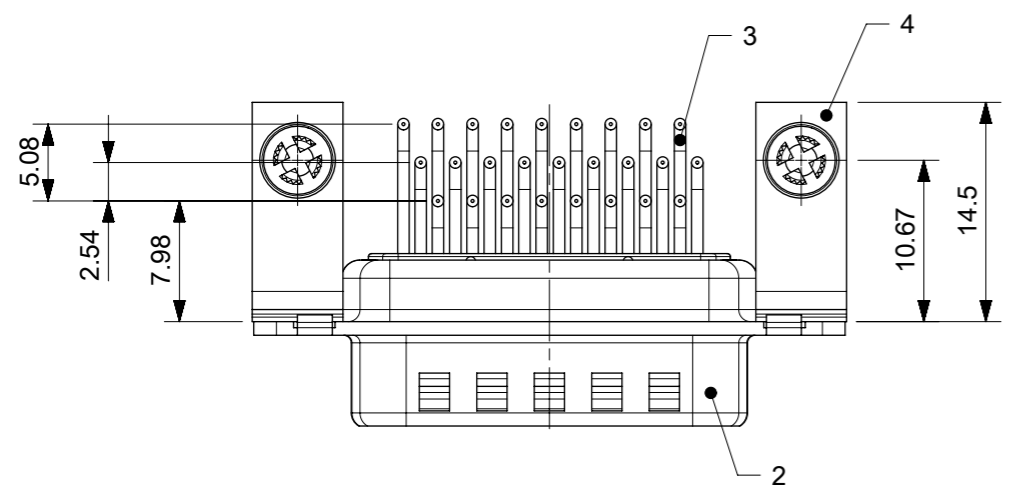
*PCB HOLE PATTERNS, ØE, ØF, ON SUPPLEMENT 1731131002

TABLE FOR GENERAL TOLERANCES

PERMISSIBLE DEVIATIONS FOR BASIC SIZE RANGE				
0.5 UPTO	OVER 3 UPTO	OVER 6 UPTO	OVER 30 UPTO	OVER 120 UPTO
3	6	30	120	400
±0.1	±0.1	±0.2	±0.3	±0.5

X-X NO. OF CONTACTS 09-15, 15-26, 25-44

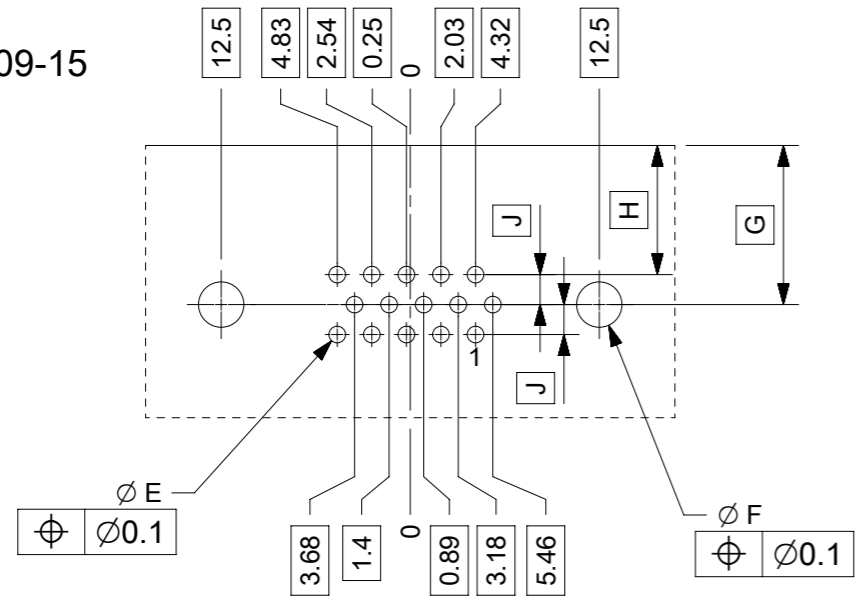
NO.	St.	PART	TYPE DESCRIPTION/MATERIAL	SURFACE PLATING/COLOUR/CLASS
6	2	SNAP IN RIVET	PCB 1.6mm / BRASS	TIN PLATED
5	2	CLINCH NUT	MW 4-40 / BRASS	TIN PLATED
4	2	BRACKET	F1080-29 / STEEL	TIN PLATED
3	X-X	SIGNAL CONTACT, MACHINED	HP135 / BRASS	0.8µm Au
2	1	SHELL	STEEL	TIN PLATED
1	1	INSULATOR	THERMOPLASTIC, GF	BLACK



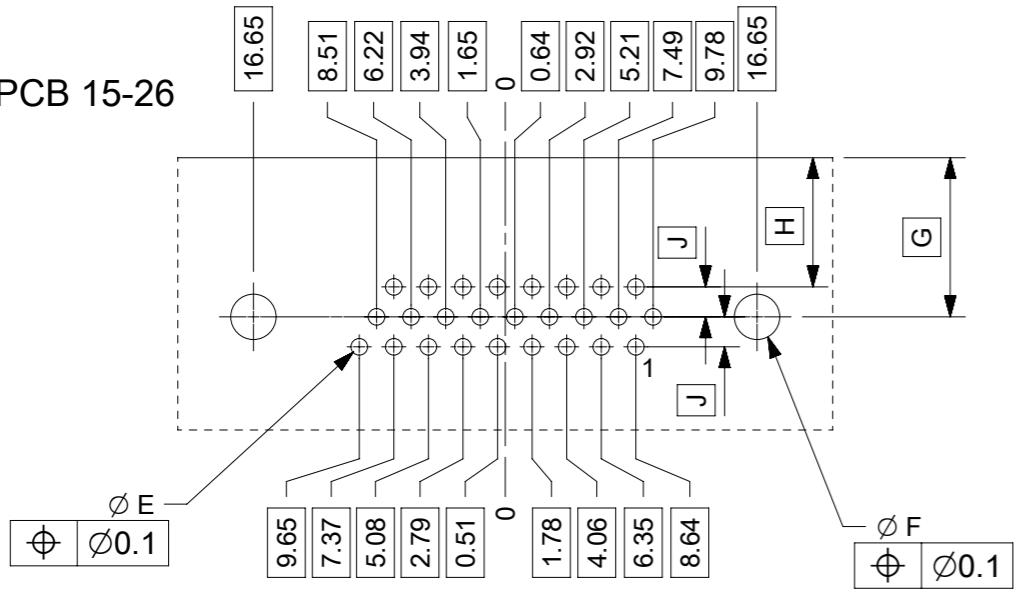
THIS DRAWING CONTAINS INFORMATION THAT IS PROPRIETARY TO MOLEX ELECTRONIC TECHNOLOGIES, LLC AND SHOULD NOT BE USED WITHOUT WRITTEN PERMISSION

QUALITY SYMBOLS ▽ = 0 ▽ = 0 ▽ = 0 ▽ = 0 ▽ = 0 ▽ = 0 ▽ = 0 ▽ = 0 ▽ = 0 ▽ = 0	DRAWING UPDATED EC NO: 121239 DRWN: ISHWARG CHK'D: KPRASAD APPR: KPRASAD	GENERAL TOLERANCES (UNLESS SPECIFIED) ANGULAR TOL ± ° 4 PLACES ± 3 PLACES ± 2 PLACES ± 1 PLACE ± 0 PLACES ± DRAFT WHERE APPLICABLE MUST REMAIN WITHIN DIMENSIONS	DIMENSION UNITS	SCALE	
			mm	2:1	
			DRWN BY	DATE	
			RLALSANGI	2017/04/14	
CHK'D BY	DATE	PRODUCT CUSTOMER DRAWING			
ISHWARG	2017/06/07				
APPR BY	DATE	SERIES: 173113 MATERIAL NUMBER: SEE TABLE CUSTOMER: GENERAL MARKET			
ISHWARG	2017/06/07				
DRAWING SIZE		THIRD ANGLE PROJECTION	DOCUMENT NUMBER		DOC TYPE: PSD DOC PART: 000 SHEET NUMBER: 1 OF 1
A3			1731130153		

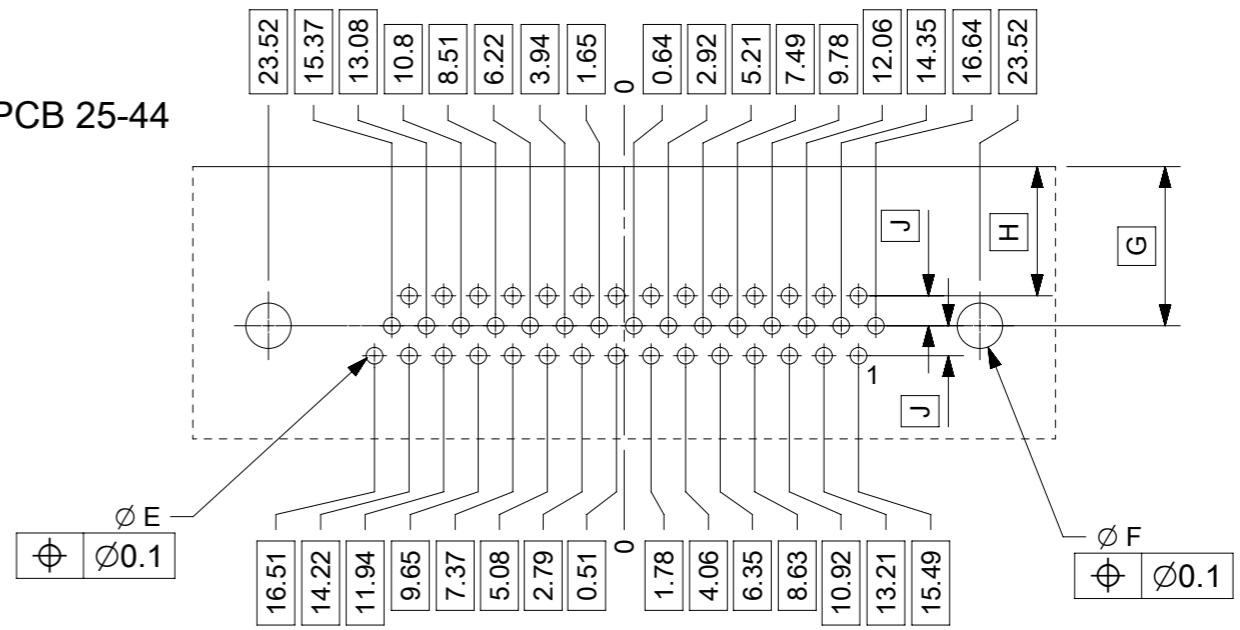
PCB 09-15



PCB 15-26



PCB 25-44



VIEW ON MOUNTING SIDE

ØE, ØF, G, H, J SEE DATA SHEET INCL. CONNECTOR
ØF, CONNECTORS WITH ACCESSORIES ONLY

THIS DRAWING CONTAINS INFORMATION THAT IS PROPRIETARY TO MOLEX ELECTRONIC TECHNOLOGIES, LLC AND SHOULD NOT BE USED WITHOUT WRITTEN PERMISSION

EC NO: 117803 DRWN: RLALSANGI CHK'D: ISHWARG APPR: ISHWARG	2017/05/12 2017/06/07 2017/06/07	GENERAL TOLERANCES (UNLESS SPECIFIED) ANGULAR TOL ± ° 4 PLACES ± 3 PLACES ± 2 PLACES ± 1 PLACE ± 0 PLACES ± DRAFT WHERE APPLICABLE MUST REMAIN WITHIN DIMENSIONS	DIMENSION UNITS	SCALE			
			MM	1:1			
			DRWN BY	DATE		RLALSANGI	2017/05/12
			CHK'D BY	DATE		ISHWARG	2017/06/07
			APPR BY	DATE		ISHWARG	2017/06/07
		DRAWING SIZE	THIRD ANGLE PROJECTION		PCB HOLE PATTERN PIN HIGH-DENSITY CONNECTOR RIGHT ANGLED		
		A3					
			PRODUCT CUSTOMER DRAWING				
			SERIES	MATERIAL NUMBER	CUSTOMER		
			173113	NOT APPLICABLE	GENERAL MARKET		
			DOCUMENT NUMBER		DOC TYPE		
			1731131002		PSD		
			DOC PART	SHEET NUMBER			
			000	1 OF 1			