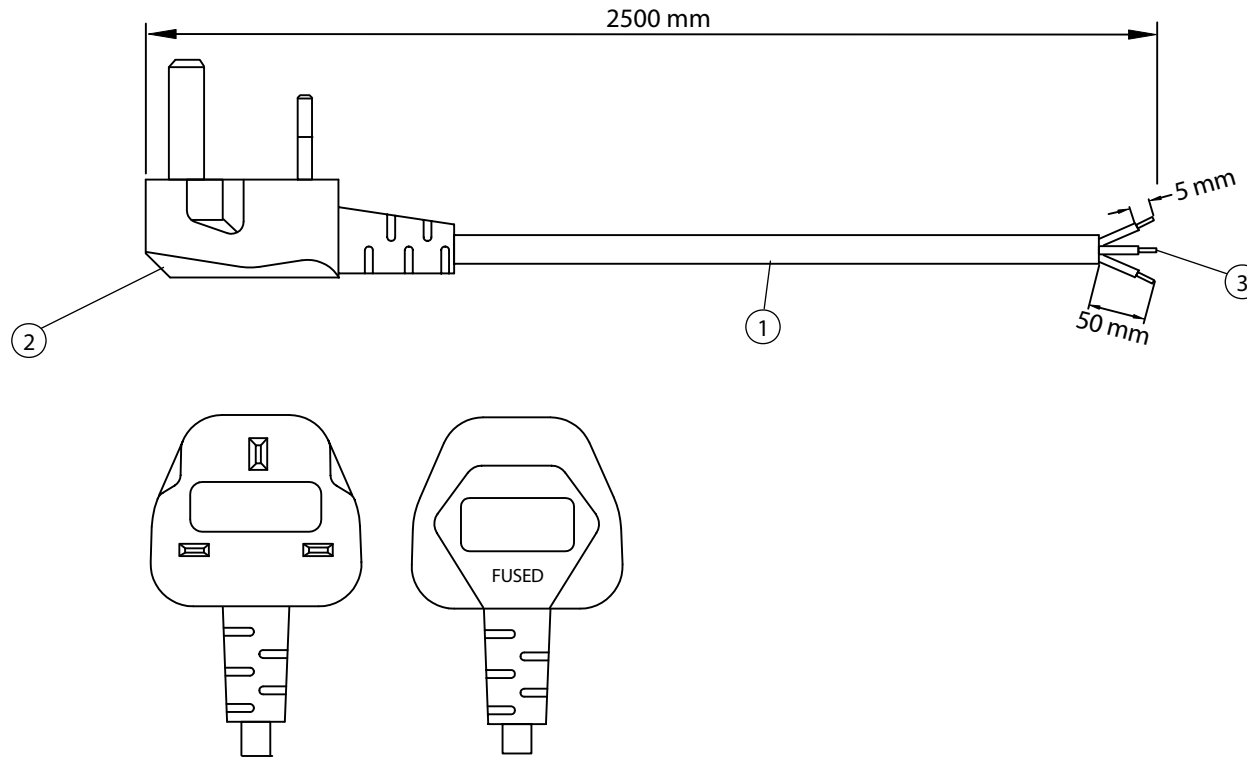


THESE DRAWINGS ARE THE PROPERTY OF QUALTEK ELECTRONICS AND NOT TO BE REPRODUCED FOR OR COMMUNICATED TO A THIRD PARTY WITHOUT THE EXPRESS WRITTEN PERMISSION OF AN OFFICER OF QUALTEK ELECTRONICS.

REVISION			
REV.	DESCRIPTION	DATE	APPROVED
B	RoHS Compliancy	06-01-06	DP
C	Notes Update	05-15-08	DP



CONTROLLED

NOTES:

- CORDAGE: HO5VV-F, 3x1.00mm, UNSHIELDED
CEE COLOR CODE, TEMP. RATING 70°C
RATING: 250V 10A, JACKET COLOR: BLACK
- PLUG END: UNITED KINGDOM BS1363A WITH 13 AMP FUSE
- OTHER END: ROJ 50mm, STRIP 5mm
- APPROVALS: UNITED KINGDOM, BSI
- ROHS COMPLIANT

Dim range (mm)	Tolerance +/- (mm)	Qualtek Electronics Corp. PPC DIVISION		
		Part Number:	369003-E01	
0-1	0.15	Description: POWER CORD		
1-6	0.20		UNIT: mm	REV. C
6-18	0.30			
18-50	0.50			
50-120	0.70	Drawn / Date	Checked / Date	Approved / Date
120-250	0.90	K.Huang 09-21-98	09-21-98	JJH / 09-21-98
250-500	1.20			