

4

3

2

1

THIS DRAWING IS UNPUBLISHED.

RELEASED FOR PUBLICATION

© COPYRIGHT By -

ALL RIGHTS RESERVED.

LOC

DIST

REVISIONS

DW

P

LTR

DESCRIPTION

DATE

DWN

APVD

A

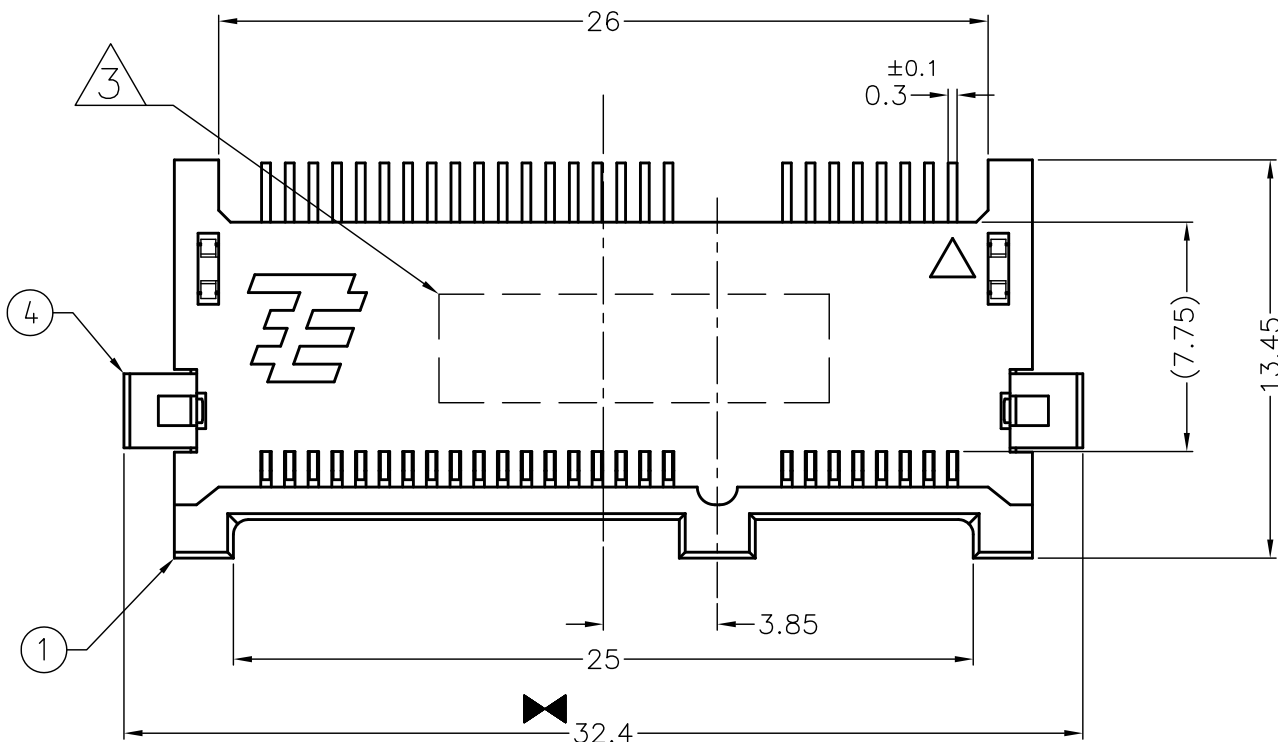
RELEASED

24AUG2011

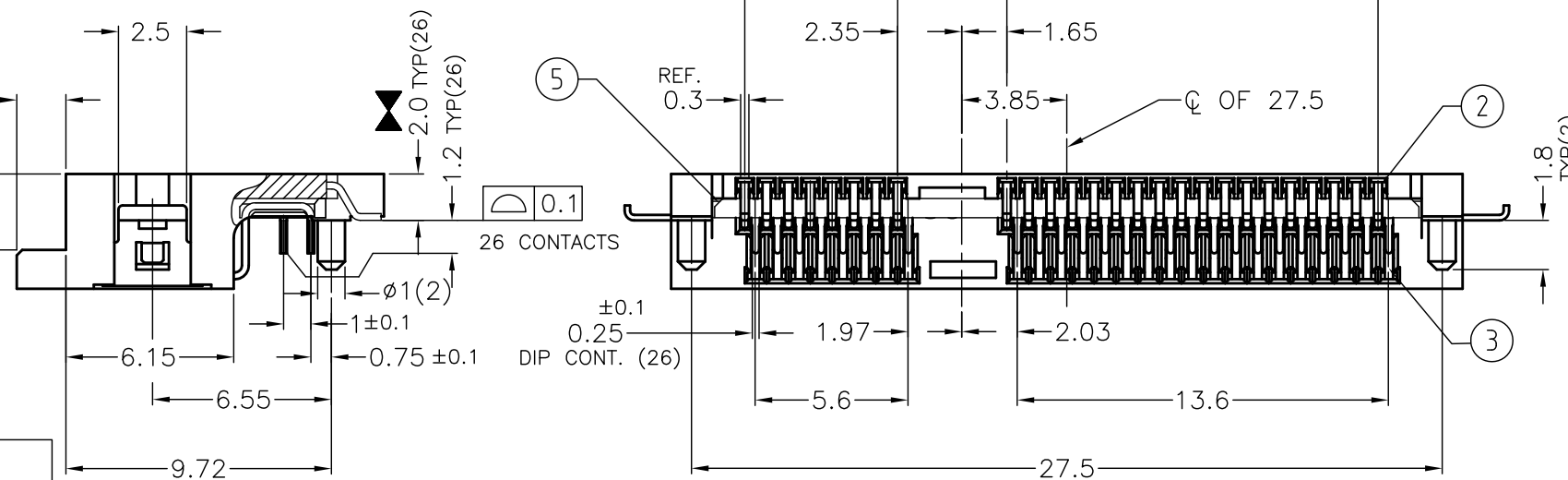
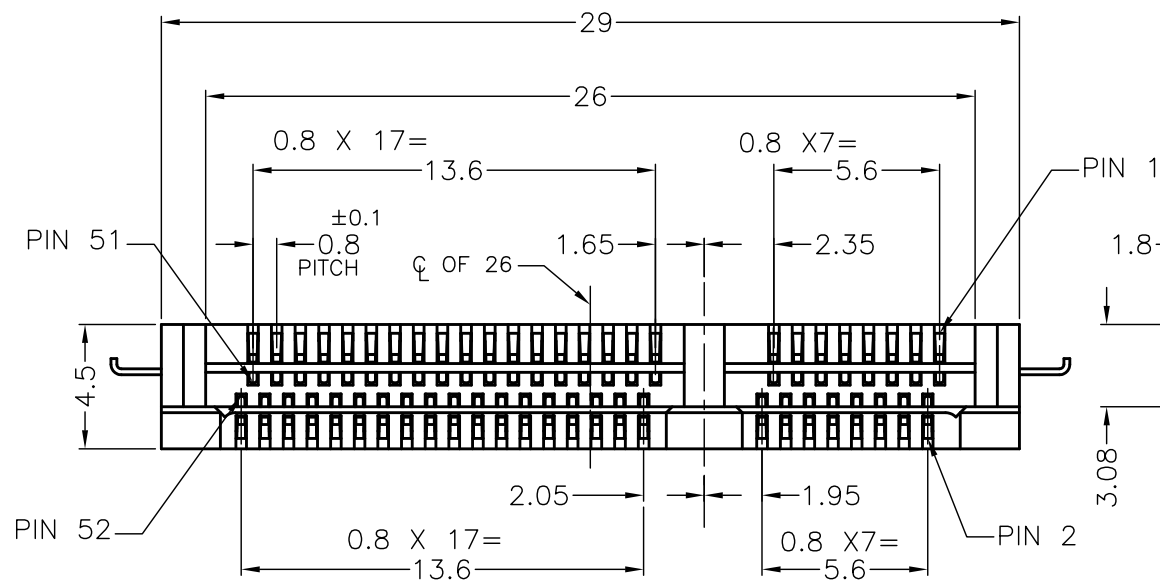
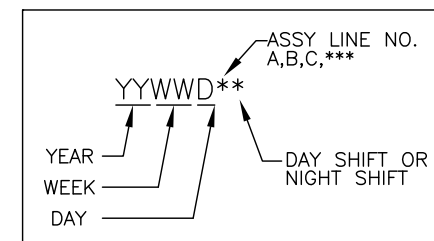
V.P.

H.K.

2129318-1: AS SHOWN



- 1. MATERIAL: (SEE TABLE)
- 2. FINISH: (SEE TABLE)
- 3. DATE CODE.



⑤	TINE PLATE	HIGH TEMP THERMOPLASTICS, COLOR:BLACK, UL94 V-0	1	
④	PEG	COPPER ALLOY	2	
③	LOWER CONT	COPPER ALLOY	26	
②	UPPER CONT	COPPER ALLOY	26	
①	HOUSING	HIGH TEMP THERMOPLASTICS, COLOR:BLACK, UL94 V-0	1	
NO	DESCRIPTION	① MATERIAL	② FINISH	QTY.

THIS DRAWING IS A CONTROLLED DOCUMENT.

DWN V.PENG 12JUL2010

CHK H.KODAMA 12JUL2010

APVD H.KODAMA 12JUL2010

PRODUCT SPEC

108-99028

APPLICATION SPEC

WEIGHT 3.8 GRAM

CUSTOMER DRAWING

STE TE Connectivity

NAME MINICARD CONNECTOR OFFSET MOUNT TYPE

SIZE A3 CAGE CODE DRAWING NO C-2129318 RESTRICTED TO

SCALE 4:1 SHEET 1 OF 3 REV A

4

3

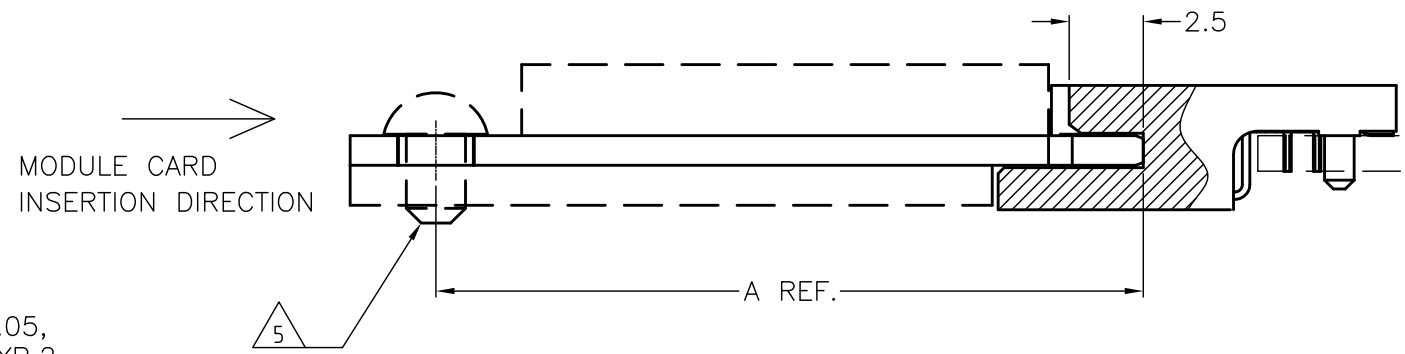
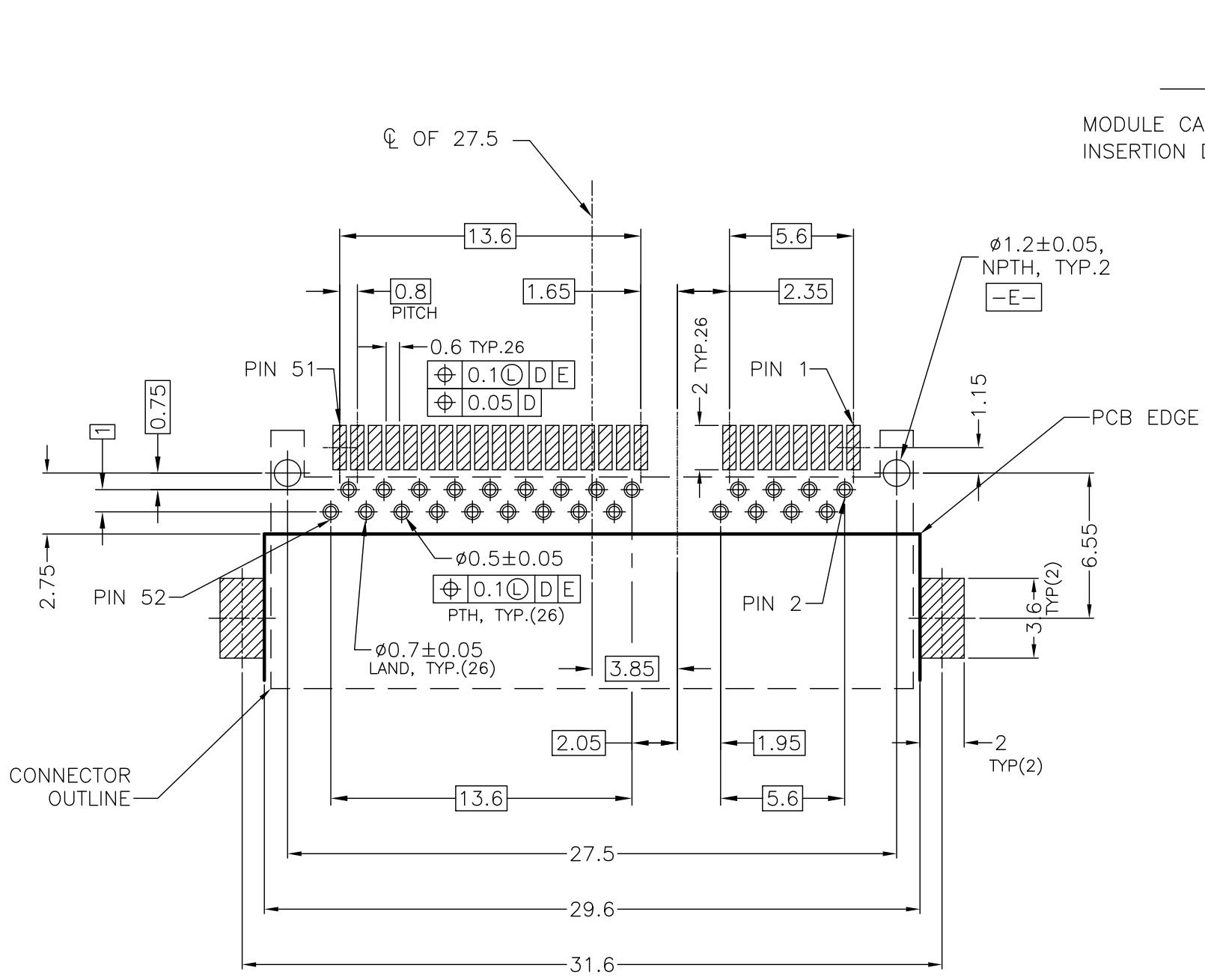
2

1

THIS DRAWING IS UNPUBLISHED. RELEASED FOR PUBLICATION  
 © COPYRIGHT - By - ALL RIGHTS RESERVED.

LOC	DIST	REVISIONS			
P	LTR	DESCRIPTION	DATE	DWN	APVD
		SEE SHEET 1	-	-	-

4.  $\square$ -D- $\square$  IS THE TOP SURFACE OF PCB.  
 5.  $\triangle$  SCREWS ARE PREPARED BY CUSTOMER.



HALF MINI CARD	23.9
FULL MINI CARD	48.05
DIMENSION	A

RECOMMENDED P.C.BOARD LAYOUT  
 (COMPONENT SIDE)  
 TOLERANCE:±0.05

THIS DRAWING IS A CONTROLLED DOCUMENT.		DWN		<b>STE</b> TE Connectivity	
DIMENSIONS: mm		CHK			
TOLERANCES UNLESS OTHERWISE SPECIFIED:		APVD		NAME	
0 PLC ± 0.05		PRODUCT SPEC		MINICARD CONNECTOR OFFSET MOUNT TYPE	
1 PLC ± 0.05		APPLICATION SPEC		SIZE CAGE CODE DRAWING NO RESTRICTED TO	
2 PLC ± 0.05		WEIGHT		A3 00779 C-2129318	
3 PLC ± 0.05		CUSTOMER DRAWING		SCALE 4:1 SHEET 2 OF 3 REV A	
4 PLC ± 0.05					
ANGLES ± 1°					
MATERIAL		FINISH			

4

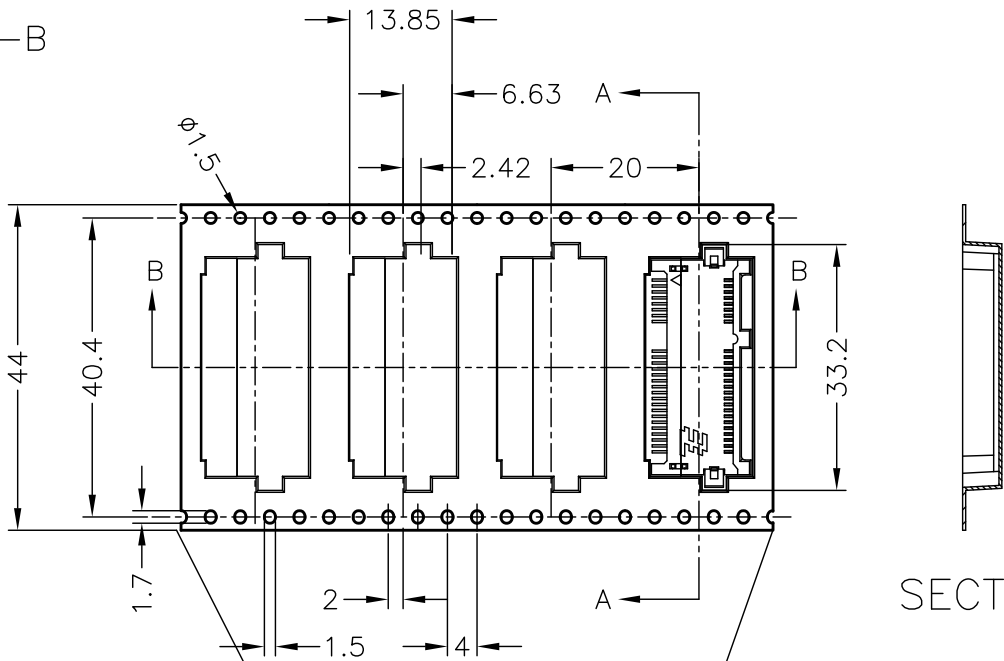
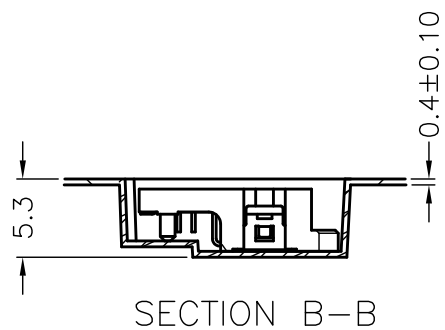
3

2

1

THIS DRAWING IS UNPUBLISHED. RELEASED FOR PUBLICATION  
 © COPYRIGHT By - ALL RIGHTS RESERVED.

LOC	DIST	REVISIONS					
DW		P	LTR	DESCRIPTION	DATE	DWN	APVD
		-	-	SEE SHEET 1	-	-	-

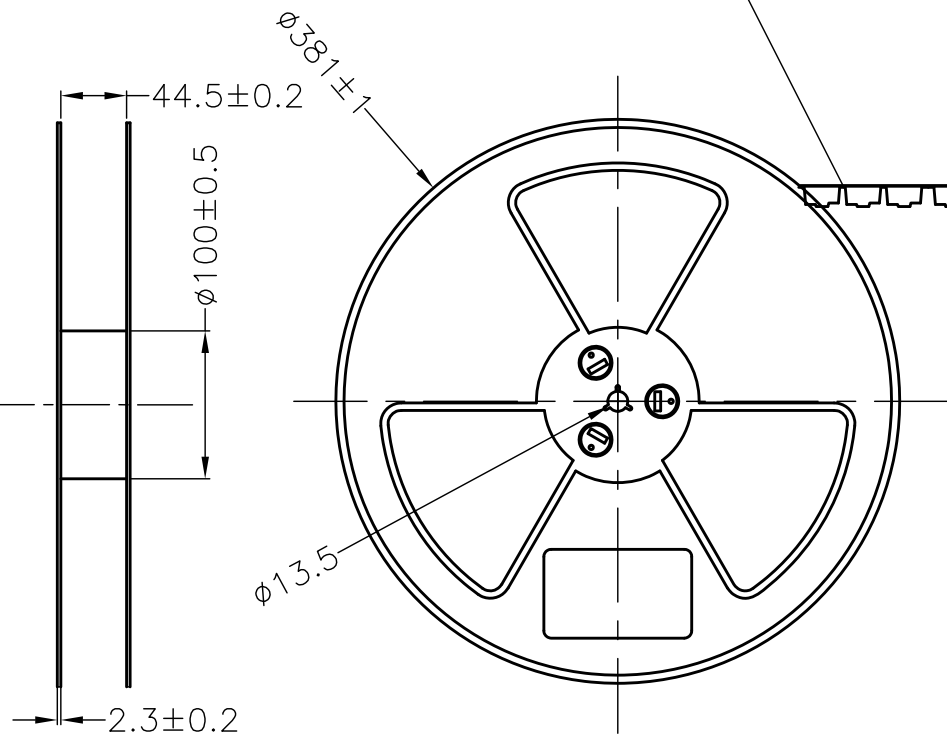
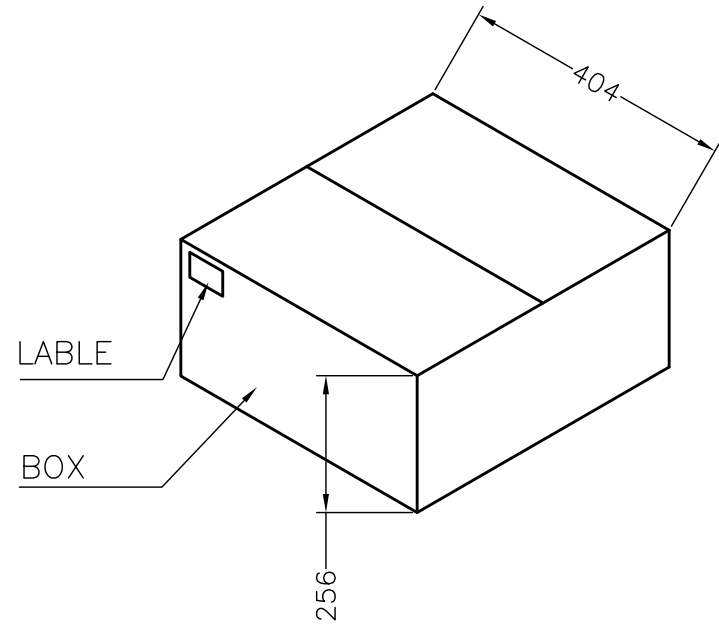
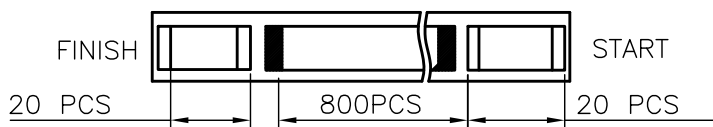


SECTION A-A

- 6. MATERIAL :
  - 6.1 REEL: PS(RoHS) BLUE.
  - 6.2 COVER TAPE: PE
  - 6.3 SHIPPING BOX: CORRUGATED FIBER
- 7. QUANTITY :
  - 7.1 PRIMARY PACKING: 800 PCS/REEL
  - 7.2 SECONDARY PACKING: 3 REELS(2400PCS)/BOX
- 8. PEELING RESISTANCE: SEE TABLE
- 9. PEELING SPEED: 300mm/MINUTES.

A	170°~180°
F	0.1N~1.3N

PULL OUT



REEL

THIS DRAWING IS A CONTROLLED DOCUMENT.		DWN		<b>STE</b> TE Connectivity	
DIMENSIONS: mm		CHK			
TOLERANCES UNLESS OTHERWISE SPECIFIED:		APVD		NAME	
0 PLC ± 0.25		PRODUCT SPEC		MINICARD CONNECTOR	
1 PLC ± 0.25		APPLICATION SPEC		OFFSET MOUNT TYPE	
2 PLC ± 0.25		WEIGHT		SIZE	CAGE CODE
3 PLC ± 0.25		CUSTOMER DRAWING		A3	
4 PLC ± 0.25		SCALE		DRAWING NO	RESTRICTED TO
ANGLES ± 3°		4:1		C-2129318	
MATERIAL		SHEET		REV	
FINISH		3 OF 3		A	