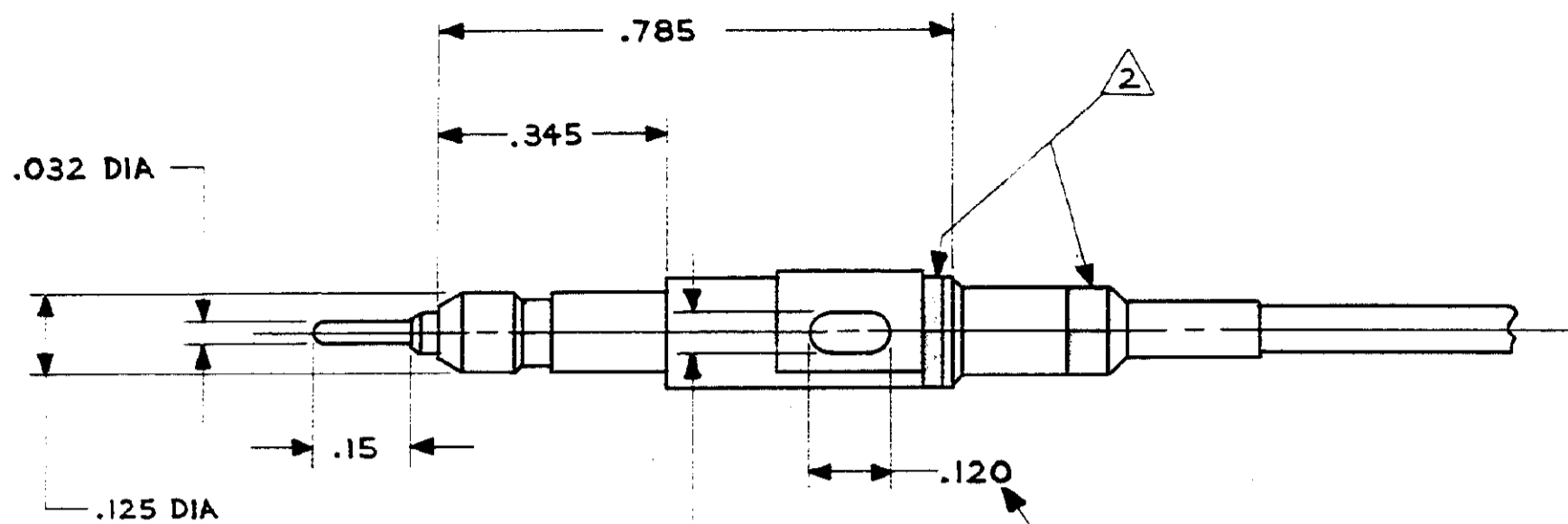
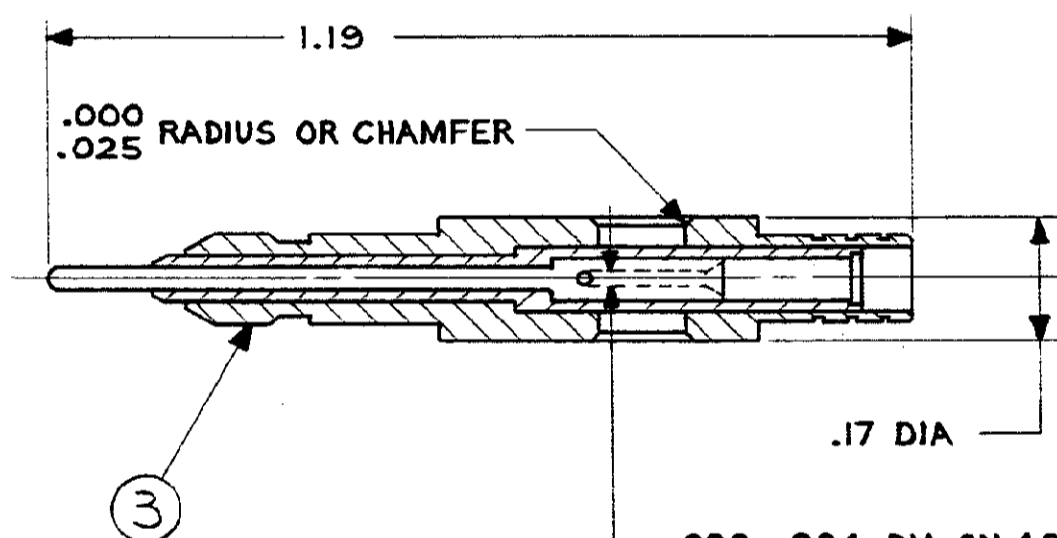
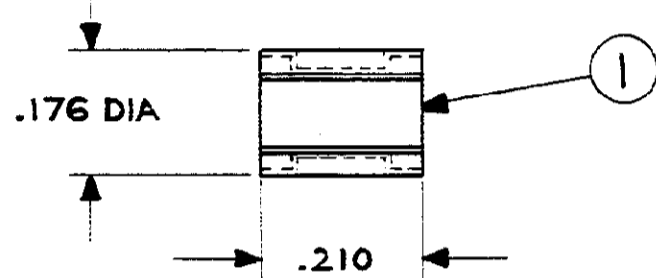


© COPYRIGHT 1965, 74, 79 BY AMP INCORPORATED, HARRISBURG, PA.
 ALL INTERNATIONAL RIGHTS RESERVED. AMP INCORPORATED PRODUCT.
 U.S. AND FOREIGN PATENTS AND OR PATENTS PENDING.

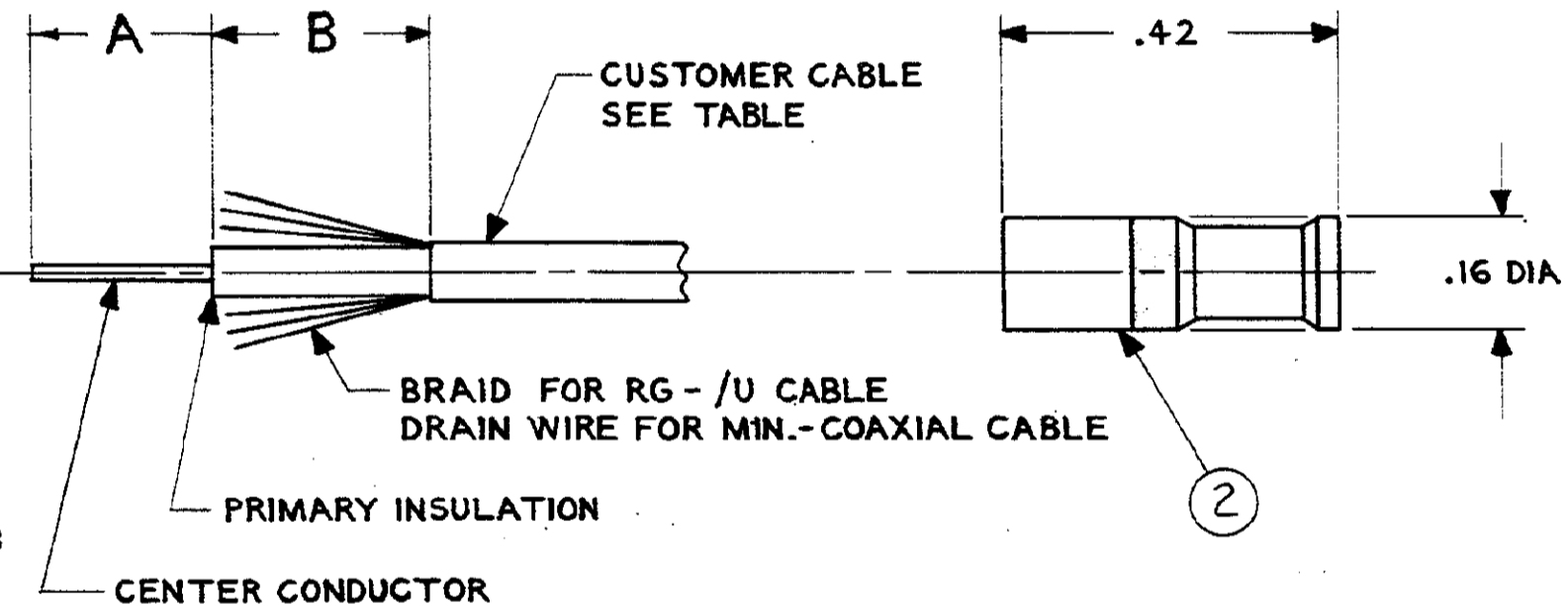
REVISIONS					DATE	APPROVED
P	F	ZONE	LTR	DESCRIPTION		
				E REDRAWN & REVISED	EA 1272	7-18-79 JM
				F OBSOLETE	EA 2265	7-18-79 JM



DIMENSIONS OF PORT IN BARREL



.022-.024 DIA ON 422390-1 & -3
 .018-.021 DIA ON 422390-2



A	B	COLOR CODING	DIE SET	HAND TOOL	TYPE OF CABLE	③ REAR TERM. ASSY	② FERRULE	① SHIELD CLIP	KIT PART NO.
.22	.25	BLACK	402953	402039	RG-178, 178A, 196	422386-3	435936-1	421260-2	422390-3 OBSOLETE
.25	.31		402953	402039	ALPHA 9500 MIN. COAX	422386-2	328666	421260-2	422390-2
.22	.25		402953	402039	RG-178, 178A, 196	422386-1	328666	421260-2	422390-1

- ① PATCHCORD KIT MAY BE CRIMPED ON WIRE USING HAND TOOL OR BY USING DIE SET IN PNEUMATIC TOOL.
- ② REAR TERMINAL ASS'Y AND FERRULE IS CODED WITH STRIPE WHEN SPECIFIED IN TABLE.
- 3. FOR ASSEMBLY OF THIS KIT SEE INSTRUCTION SHEET * IS 398010.

UNLESS OTHERWISE SPECIFIED DIMENSIONS ARE IN INCHES. TOLERANCES ON: DECIMALS = .02 ANGLES = .02		CONTRACT NO	AMP INCORPORATED Harrisburg, Pa.
MATERIAL	DR <i>Ally Mellinton</i> 7-18-79 CHK <i>R. W. ...</i> 3-8-79 APPD <i>AB Mummery</i> 8-7-79 APPD	NAME	
FINISH	DSGN APPD	SIZE CODE IDENT NO DRAWING NO	REAR TERMINAL KIT
	OTHER APPD	C 00779 422390	
		SCALE 4:1	SHEET

CUSTOMER DRAWING