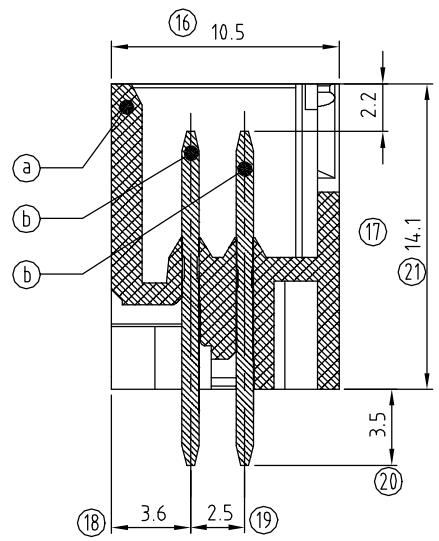
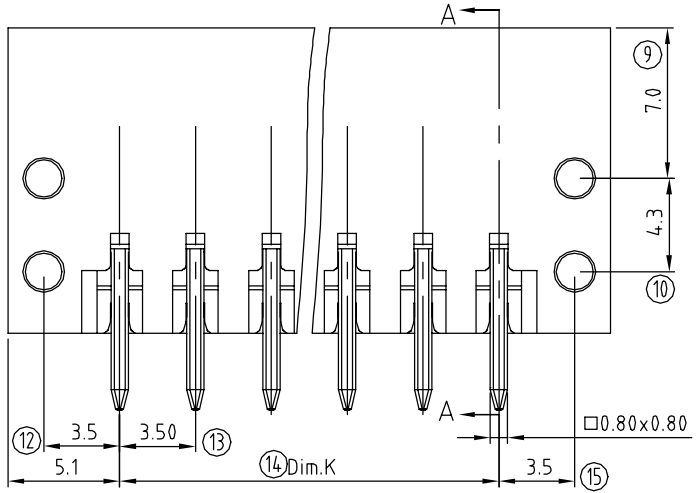
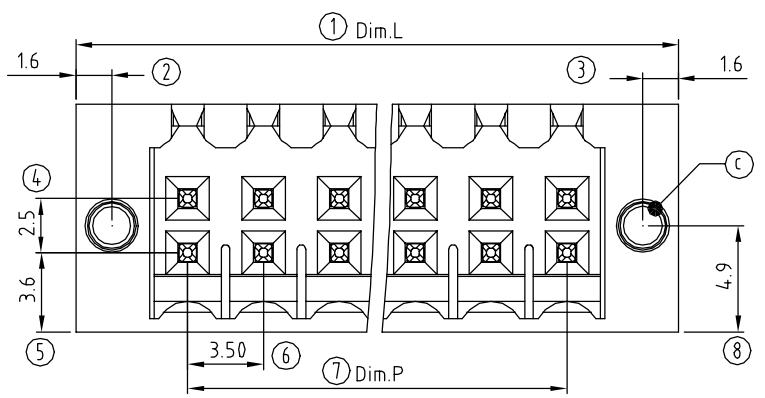


SIGN	DATE	DESCRIPTION	APPROVER
△	04/25'11	Material is changed	Chen Bo
THIS IS CAD DRAWING, DO NOT REVISE MANUALLY!!!			



Material:

- Item ④ Terminal housing: PA66 (UL94V-0)
- Item ⑤ Male contact pin: Brass, Tin plated
- Item ⑥ With flange nut: Brass, Nickel plated, M2.0

Electrical: cULus

- Voltage rating: 150V
- Current rating: 7A
- Withstanding Voltage: 1.3KV
- Operating temperature: -40°C to +115°C
- Soldering temperature: 250°C±10°C/5 Sec
- Safety Approval:

V X xx 1 2 x 0 xxxx G

RoHS Pb<40,000ppm

0000 Standard @ Logo
000A Standard ANY Logo
Any special item by customer request, please contact sales department.

NO of plose

04 2x2 CONTACTS
06 3x2 CONTACTS
...
48 24x2 CONTACTS

0 Black
3 Orange
5 Green
6 Blue
8 Grey

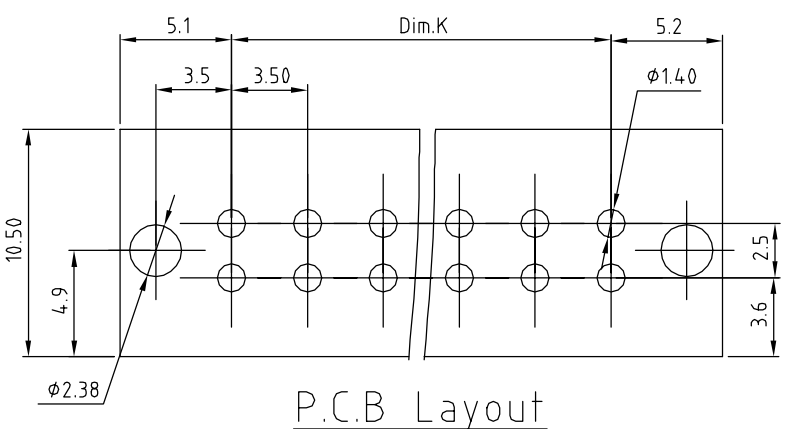
$$\text{DimL} = (N/2 - 1) \times 3.5 + 10.3$$

$$\text{DimP} = (N/2 - 1) \times 3.5$$

$$\text{DimK} = (N/2 - 1) \times 3.5$$

N=Number of poles

POLES	Tol	Dim.	Dim.L	Dim.P
2x2p-2x6p			±0.15	±0.10
2x7p-2x12p			±0.25	±0.20
2x13p-2x18p			±0.35	±0.30
2x19p-2x24p			±0.40	±0.35



ANYTEK

INSPECTION COPY

ALL RIGHTS RESERVED. REPRODUCTION OR ISSUE TO THIRD PARTIES IN ANY FORM WHATSOEVER IS NOT PERMITTED WITHOUT WRITTEN AUTHORITY FROM THE PROPRIETOR. PROPERTY OF ANYTEK TECHNOLOGY CO., LTD

TITLE		VX 3.5mm Series With flange Vertical			
PART NO.		VXxx12x0xxxxG		DWG NO.	8VX004
APPROVED	CHECKED	DESIGNED	DRAWN	CUST NO.	
		Runner 2011.04.25	Chen Bo 2011.04.25		
				Tolerance	
				X. ±0.50	
				X.X ±0.30	
				X.XX ±0.10	
				X° ±1°	

SHEET: 01/01

UNIT: mm
SCALE: NONE
REV.: C