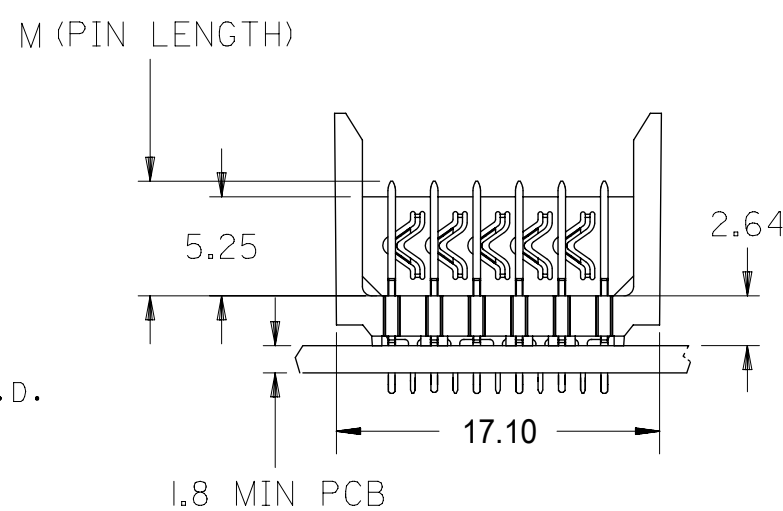
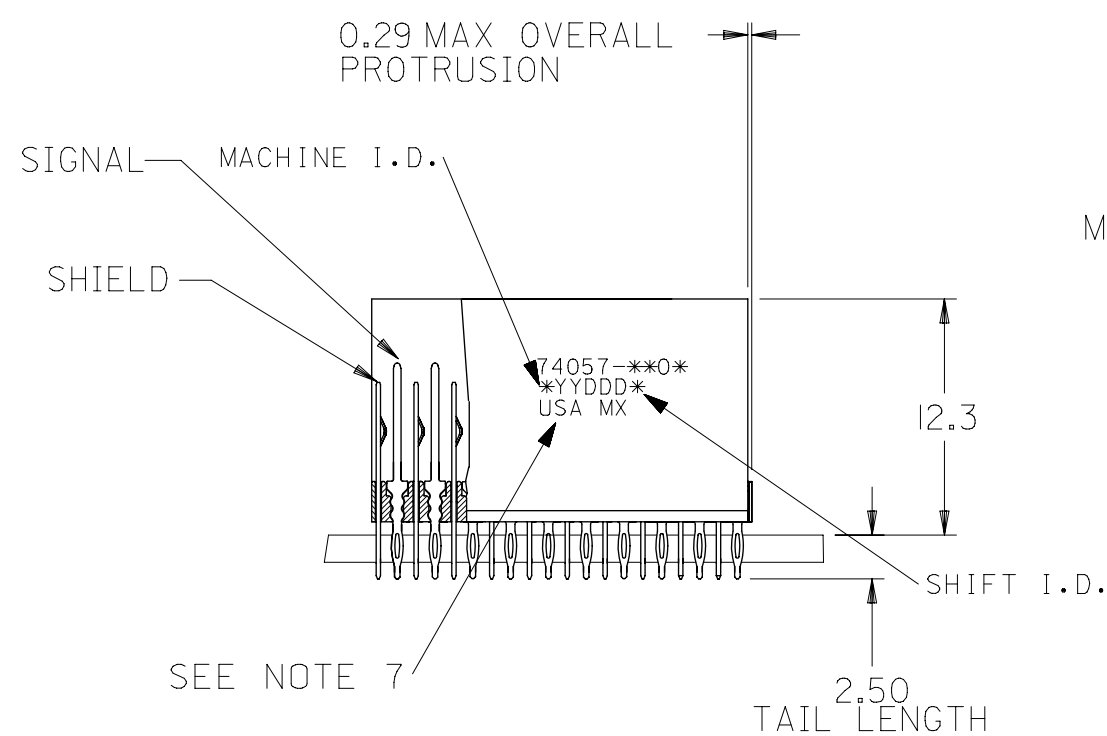


BACKPLANE HOLE PATTERN
RECOMMENDED DIMENSIONS



NOTES:

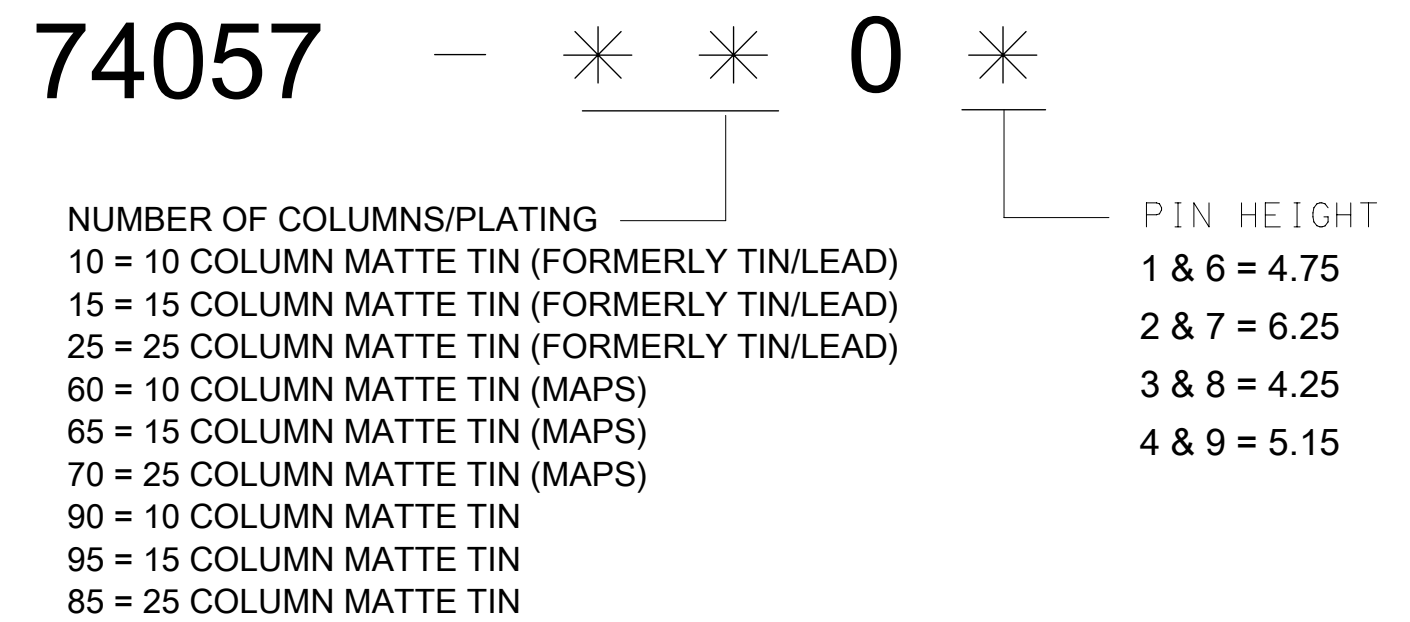
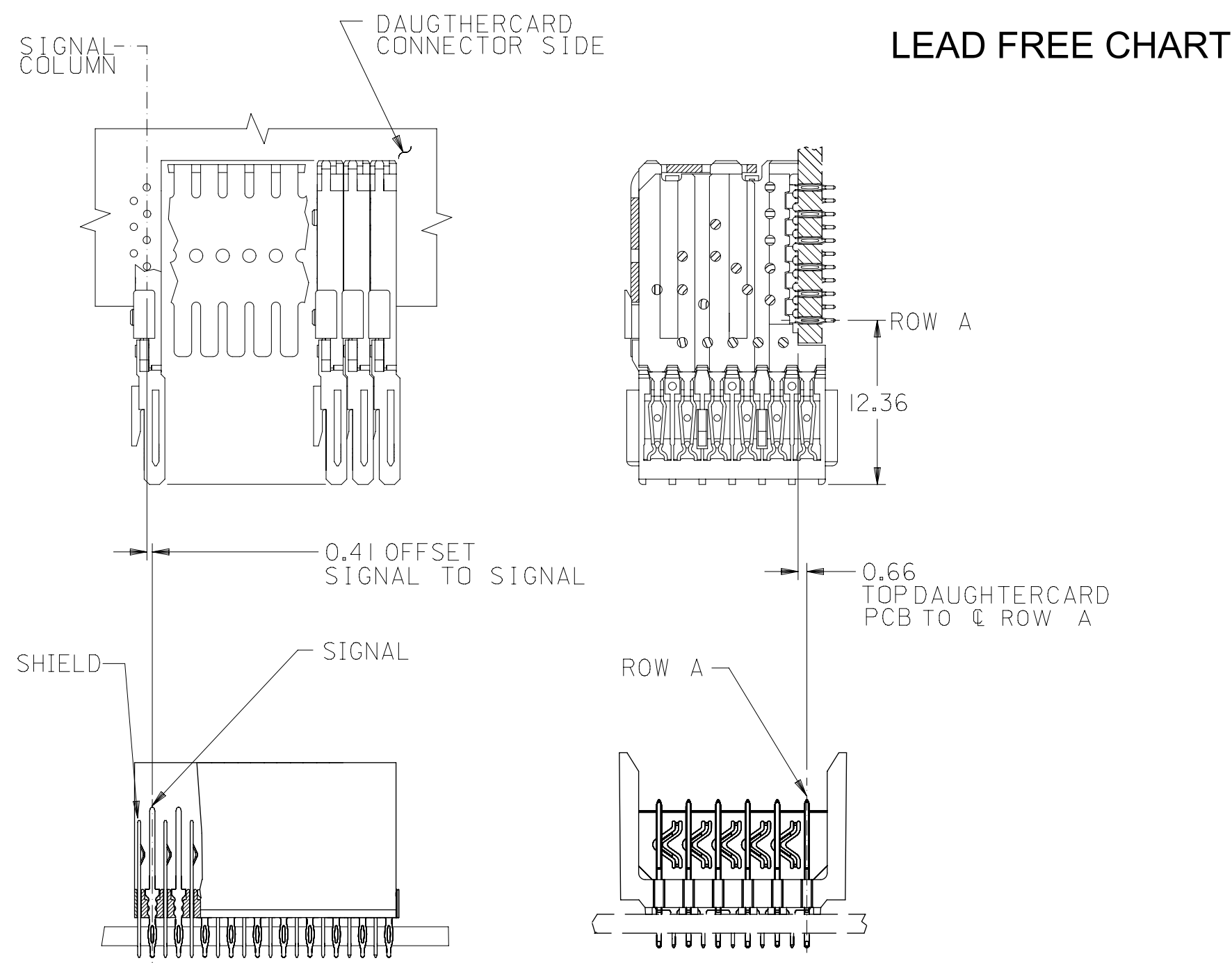
1. MATERIALS:
HOUSING - LIQUID CRYSTAL POLYMER (LCP),
GLASS-FILLED, UL 94V-0, COLOR: BLACK
SIGNAL PIN & SHIELD - COPPER ALLOY
2. FINISHES:
CONTACT AREA: SELECTIVE GOLD (Au)
PCB TAILS: SELECTIVE MATTE TIN (Sn)
NICKEL (Ni) OVERALL.
3. THIS PART CONFORMS TO MOLEX PRODUCT SPECIFICATION PS-74031-999
4. FOR MIXED CONTACT LENGTHS CONSULT MOLEX FOR AVAILABILITY
5. FOR SPECIFIC MATERIAL NUMBERS & MATING INFORMATION REFER TO SHEET 2
6. PACKAGE PER PK-74057-003
7. EITHER MARK PART WITH PART NUMBER & DATE CODE APPROXIMATELY WHERE SHOWN OR PLACE LABEL ON THE TUBE.
8. MAPS (MOLEX ADVANCED PLATING SYSTEM)

THIS DRAWING CONTAINS INFORMATION THAT IS PROPRIETARY TO MOLEX ELECTRONIC TECHNOLOGIES, LLC AND SHOULD NOT BE USED WITHOUT WRITTEN PERMISSION									
DIMENSION UNITS		SCALE		CURRENT REV DESC: OBSOLETE PART NUMBER				molex	
mm		2.5:1							
GENERAL TOLERANCES (UNLESS SPECIFIED)				EC NO: 638770		2020/03/12		VHDM 6 ROW OPEN END BACKPLANE SALES ASSEMBLY	
4 PLACES		±		DRWN: VLOKESHA		2020/07/21			
3 PLACES		±		CHK'D: GGA		2020/07/21		PRODUCT CUSTOMER DRAWING	
2 PLACES		± 0.25		APPR: GGA		2020/07/21			
1 PLACE		± 0.38		INITIAL REVISION:				DOCUMENT NUMBER	
0 PLACES		±		DRWN: MWANG		1998/11/09			
ANGULAR TOL		± 0.5°		APPR: SMILLER		2012/05/23		SD-74057-002	
DRAFT WHERE APPLICABLE MUST REMAIN WITHIN DIMENSIONS				THIRD ANGLE PROJECTION		DRAWING		SERIES	
				C-SIZE		74057		MATERIAL NUMBER	
								CUSTOMER	
								GENERAL MARKET	
								SHEET NUMBER	
								1 OF 2	

PART NUMBER	COLUMN	NUMBER OF SIGNAL PIN	NUMBER OF SHIELD	A	B	M	GOLD THICKNESS MICROMETER	TIN THICKNESS MICROMETER			
74057-6001	10	60	10	20.00	18.00	4.75	0.25 MAPS	0.76-1.52			
74057-9001							0.76				
74057-9006							1.27				
74057-6501	15	90	15	30.00	28.00		0.25 MAPS				
74057-9501							0.76				
74057-9506							1.27				
74057-7001	25	150	25	50.00	48.00	0.25 MAPS					
74057-8506						1.27					
74057-6002	10	60	10	20.00	18.00	0.25 MAPS					
74057-9002						0.76					
74057-9007						1.27					
74057-6502	15	90	15	30.00	28.00	0.25 MAPS					
74057-9502						0.76					
74057-9507						1.27					
74057-7002	25	150	25	50.00	48.00	0.25 MAPS					
74057-8502						0.76					
74057-8507	10	60	10	20.00	18.00	1.27					
74057-6003						15	90		15	30.00	28.00
74057-9003								0.76			
74057-9008	1.27										
74057-6503	25	150	25	50.00	48.00	0.25 MAPS					
74057-9503						0.76					
74057-9508						1.27					
74057-7003	10	60	10	20.00	18.00	0.25 MAPS					
74057-8503						1.27					
74057-8508	15	90	15	30.00	28.00	0.25 MAPS					
74057-6004						0.76					
74057-9009						1.27					
74057-6504	25	150	25	50.00	48.00	0.25 MAPS					
74057-9504						0.76					
74057-9509						1.27					
74057-8504	10	60	10	20.00	18.00	0.76					
74057-9009						1.27					
74057-6504	15	90	15	30.00	28.00	0.25 MAPS					
74057-9504						0.76					
74057-9509						1.27					
74057-8504	25	150	25	50.00	48.00	0.76					
74057-8509						1.27					

PART NUMBER	COLUMN	NUMBER OF SIGNAL PIN	NUMBER OF SHIELD	A	B	M	GOLD THICKNESS MICROMETER	TIN THICKNESS MICROMETER				
74057-1001	10	60	10	20.00	18.00	4.75	0.76	0.76-1.52				
74057-1006							1.27					
74057-1501							15		90	15	30.00	28.00
74057-1506	1.27											
74057-2506	1.27											
74057-1002	10	60	10	20.00	18.00		0.76					
74057-1502						15	90		15	30.00	28.00	0.76
74057-1507	10	60	10	20.00	18.00							1.27
74057-1008						15	90		15	30.00	28.00	0.76
74057-1503												25
74057-1508	10	60	10	20.00	18.00							
74057-2508						15	90		15	30.00	28.00	
74057-1004												25
74057-1009	10	60	10	20.00	18.00							
74057-1504						15	90		15	30.00	28.00	
74057-1509												25
74057-2504	10	60	10	20.00	18.00							

**LEAD FREE
(FORMERLY TIN/LEAD) CHART**



THIS DRAWING CONTAINS INFORMATION THAT IS PROPRIETARY TO MOLEX ELECTRONIC TECHNOLOGIES, LLC AND SHOULD NOT BE USED WITHOUT WRITTEN PERMISSION									
DIMENSION UNITS		SCALE		CURRENT REV DESC: OBSOLETE PART NUMBER					
mm		2.5:1		molex VHDM 6 ROW OPEN END BACKPLANE SALES ASSEMBLY PRODUCT CUSTOMER DRAWING					
GENERAL TOLERANCES (UNLESS SPECIFIED)									
	MM	INCH		EC NO: 638770		2020/03/12		DOCUMENT NUMBER	
4 PLACES	±	±		DRWN: VLOKESHA		2020/07/21		SD-74057-002	
3 PLACES	±	±		CHK'D: GGA		2020/07/21		PSD 001 N1	
2 PLACES	± 0.25	±		APPR: GGA		2020/07/21		DOC TYPE DOC PART REVISION	
1 PLACE	± 0.38	±		INITIAL REVISION:					
0 PLACES	±	±		DRWN: MWANG		1998/11/09			
ANGULAR TOL ± 0.5 °				APPR: SMILLER		2012/05/23			
DRAFT WHERE APPLICABLE MUST REMAIN WITHIN DIMENSIONS			THIRD ANGLE PROJECTION		DRAWING		SERIES		MATERIAL NUMBER
			C-SIZE		74057		SEE TABLE		CUSTOMER
							GENERAL MARKET		SHEET NUMBER
							2 OF 2		