

HC-A16-I-CT-M-32 - Contact insert



1585456

<https://www.phoenixcontact.com/pc/products/1585456>

Please be informed that the data shown in this PDF document is generated from our online catalog. Please find the complete data in the user documentation. Our general terms of use for downloads are valid.

Contact insert, number of positions: 16+PE, size: D25, number of connections per position: 1, Pin, Crimp connection, 250 V, 16 A, 0.5 mm² ... 4 mm²



Commercial data

Item number	1585456
Packing unit	1 pc
Minimum order quantity	1 pc
Product key	BF7ABB
GTIN	4046356285186
Weight per piece (including packing)	32.8 g
Weight per piece (excluding packing)	22.22 g
Customs tariff number	85369010
Country of origin	CN

HC-A16-I-CT-M-32 - Contact insert



1585456

<https://www.phoenixcontact.com/pc/products/1585456>

Technical data

Notes

General	For HC-D25 / HC-D 50 housing, crimp contact CK2,5-ED (crimp contacts not included in scope of supply)
General	Connectors may be operated only when there is no load/voltage.

Mounting

Assembly instructions	To ensure correct use, installation in housing with IP54 protection or better is required for plastic coding profiles: 4 pcs.
-----------------------	--

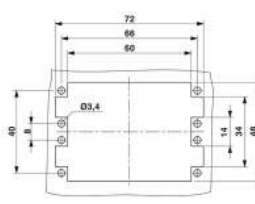
Product properties

Type	D25 D50
Product type	Contact insert with a fixed no. of positions
Number of positions	16
Connection profile	16+PE
Contact numbering	17 - 32
Number of connections per position	1
Contact material type	turned
Series	HC-A

Insulation characteristics

Overvoltage category	III
Degree of pollution	3

Dimensions

Dimensional drawing	
Width	23 mm
Height	33 mm
Length	72 mm
Drill hole distance, horizontal	66 mm
Drill hole distance, vertical	16 mm

Mechanical characteristics

Contact diameter	2.5 mm
------------------	--------

Connection data

HC-A16-I-CT-M-32 - Contact insert



1585456

<https://www.phoenixcontact.com/pc/products/1585456>

Connection technology

Connection technology	Crimp connection
Number of connections per position	1
Connection in acc. with standard	IEC / EN

Conductor connection

Conductor cross section	0.5 mm ² ... 4 mm ² (applies to stranded conductors)
Connection cross section AWG	20 ... 12
Tightening torque	0.7 Nm ... 1 Nm (PE connection) 0.5 Nm ... 0.8 Nm (Mounting screws for mounting in the HEAVYCON housing)
Stripping length of the individual wire	8 mm

Electrical properties

Rated voltage (III/3)	250 V
Rated surge voltage	4 kV
Rated current	16 A

Mechanical properties

Mechanical data

Insertion/withdrawal cycles	≥ 500
-----------------------------	-------

Material specifications

Contact material	Copper alloy
Contact surface material	Ag (alternatively Au)
Contact carrier material	PC
Standards/regulations	PC: Fire protection in rail vehicles - requirement sets R22, R23, and R24 acc. to DIN EN 45545-2 (Risk level HL1 - HL3)

Environmental and real-life conditions

Ambient conditions

Ambient temperature (operation)	-40 °C ... 125 °C (including heating up of contacts)
---------------------------------	--

Standards and regulations

Testing

Standards/regulations	PC: Fire protection in rail vehicles - requirement sets R22, R23, and R24 acc. to DIN EN 45545-2 (Risk level HL1 - HL3)
-----------------------	---

HC-A16-I-CT-M-32 - Contact insert

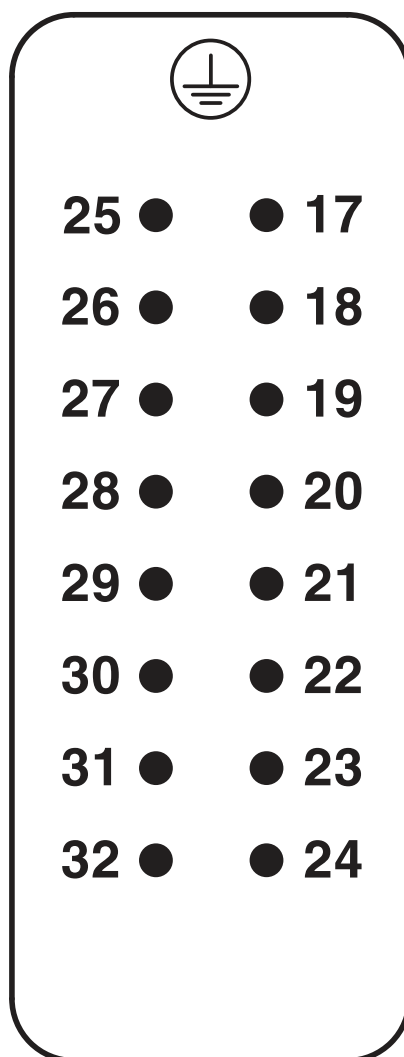
1585456

<https://www.phoenixcontact.com/pc/products/1585456>



Drawings

Schematic diagram



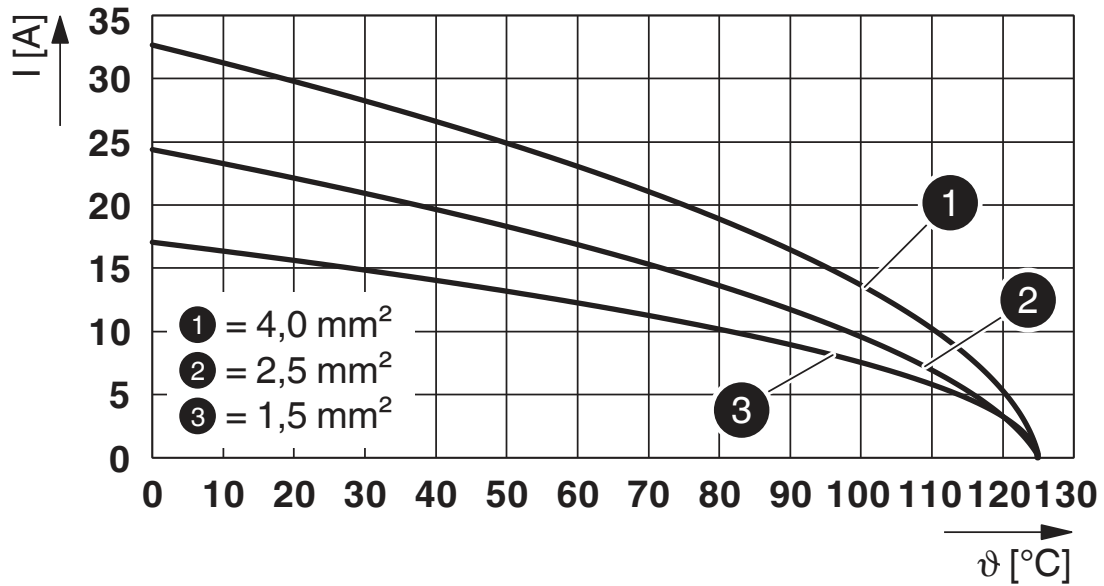
Connector pin assignment, connection side

HC-A16-I-CT-M-32 - Contact insert

1585456

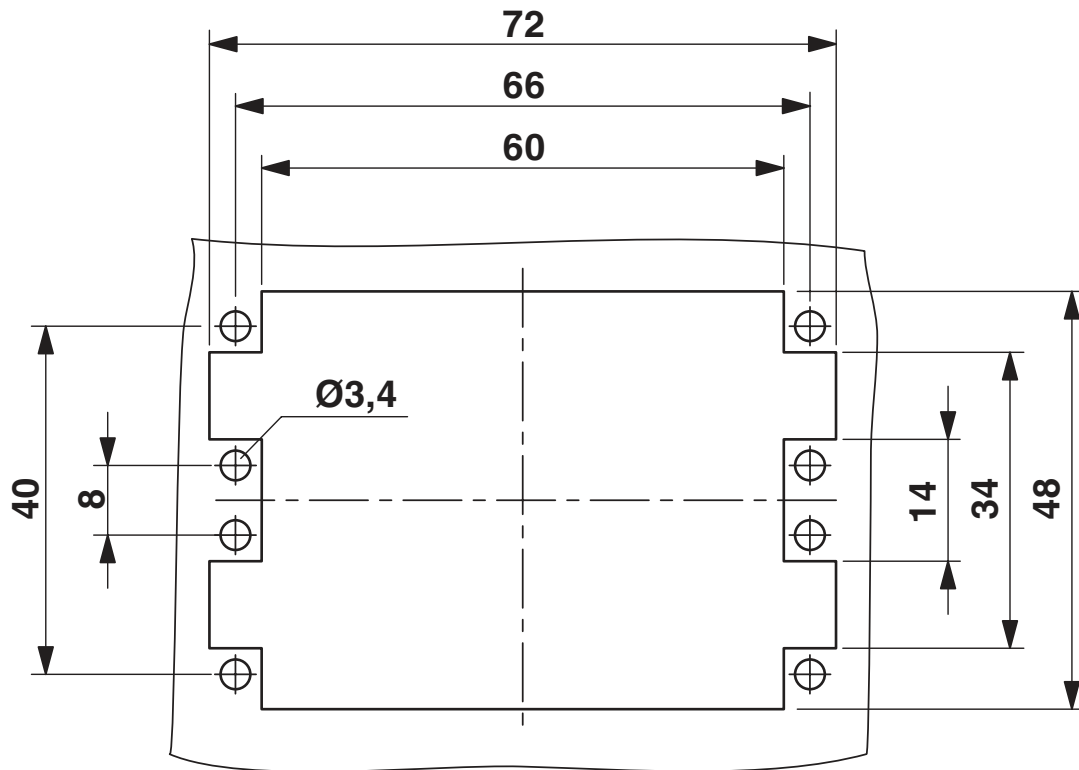
<https://www.phoenixcontact.com/pc/products/1585456>

Diagram



Derating diagram

Dimensional drawing



Mounting cutout

HC-A16-I-CT-M-32 - Contact insert



1585456

<https://www.phoenixcontact.com/pc/products/1585456>

Approvals

To download certificates, visit the product detail page: <https://www.phoenixcontact.com/pc/products/1585456>

DNV

Approval ID: TAE000037S



CSA

Approval ID: 013631_6233_01

	Nominal voltage U_N	Nominal current I_N	Cross section AWG	Cross section mm^2
	250 V	16 A	- 12	-



EAC

Approval ID: RU C-DE.BL08.B.00511



cULus Recognized

Approval ID: E468743

	Nominal voltage U_N	Nominal current I_N	Cross section AWG	Cross section mm^2
	250 V	16 A	- 12	-

HC-A16-I-CT-M-32 - Contact insert



1585456

<https://www.phoenixcontact.com/pc/products/1585456>

Classifications

ECLASS

ECLASS-11.0	27440205
ECLASS-12.0	27440205
ECLASS-13.0	27440205

ETIM

ETIM 8.0	EC000438
----------	----------

UNSPSC

UNSPSC 21.0	39121500
-------------	----------

HC-A16-I-CT-M-32 - Contact insert



1585456

<https://www.phoenixcontact.com/pc/products/1585456>

Environmental product compliance

China RoHS	Environmentally friendly use period: unlimited = EFUP-e
	No hazardous substances above threshold values

HC-A16-I-CT-M-32 - Contact insert

1585456

<https://www.phoenixcontact.com/pc/products/1585456>



Accessories

CP-HC-S - Coding profile

1410916

<https://www.phoenixcontact.com/pc/products/1410916>

Coding profile, for contact inserts HC-BB... / HC-A10... / HC-A16...



HC-CB - Coding bolt

1772722

<https://www.phoenixcontact.com/pc/products/1772722>

Coding pin, prevents mismatching of up to six connectors with an identical number of positions



HC-A16-I-CT-M-32 - Contact insert

1585456

<https://www.phoenixcontact.com/pc/products/1585456>



HC-CST - Coding element

1676857

<https://www.phoenixcontact.com/pc/products/1676857>



Coding peg for coding up to 16 connectors

HC-CBU - Coding element

1676860

<https://www.phoenixcontact.com/pc/products/1676860>



Coding socket for coding up to 16 connectors

HC-A16-I-CT-M-32 - Contact insert

1585456

<https://www.phoenixcontact.com/pc/products/1585456>



HC-A-PES - Screw

1584868

<https://www.phoenixcontact.com/pc/products/1584868>



PE screw for contact inserts of A series

CK2,5-ED-0,50ST AG - Crimp contact

1663572

<https://www.phoenixcontact.com/pc/products/1663572>



Crimp contact, contact diameter: 2.5 mm, turned, Pin, contact material: Copper alloy, contact surface: silver-plated, connection cross section: 0.5 mm² ... 0.5 mm², AWG 20

HC-A16-I-CT-M-32 - Contact insert

1585456

<https://www.phoenixcontact.com/pc/products/1585456>



CK2,5-ED-0,75ST AG - Crimp contact

1663585

<https://www.phoenixcontact.com/pc/products/1663585>



Crimp contact, contact diameter: 2.5 mm, turned, Pin, contact material: Copper alloy, contact surface: silver-plated, connection cross section: 0.75 mm² ... 0.75 mm², AWG 18

CK2,5-ED-1,00ST AG - Crimp contact

1663598

<https://www.phoenixcontact.com/pc/products/1663598>



Crimp contact, contact diameter: 2.5 mm, turned, Pin, contact material: Copper alloy, contact surface: silver-plated, connection cross section: 0.75 mm² ... 1 mm², AWG 18

HC-A16-I-CT-M-32 - Contact insert

1585456

<https://www.phoenixcontact.com/pc/products/1585456>



CK2,5-ED-1,50ST AG - Crimp contact

1663608

<https://www.phoenixcontact.com/pc/products/1663608>



Crimp contact, contact diameter: 2.5 mm, turned, Pin, contact material: Copper alloy, contact surface: silver-plated, connection cross section: 1.5 mm² ... 1.5 mm², AWG 16

CK2,5-ED-2,50ST AG - Crimp contact

1663611

<https://www.phoenixcontact.com/pc/products/1663611>



Crimp contact, contact diameter: 2.5 mm, turned, Pin, contact material: Copper alloy, contact surface: silver-plated, connection cross section: 2.5 mm² ... 2.5 mm², AWG 14

HC-A16-I-CT-M-32 - Contact insert

1585456

<https://www.phoenixcontact.com/pc/products/1585456>



CK2,5-ED-3,00ST AG - Crimp contact

1663624

<https://www.phoenixcontact.com/pc/products/1663624>



Crimp contact, contact diameter: 2.5 mm, turned, Pin, contact material: Copper alloy, contact surface: silver-plated, connection cross section: 3 mm² ... 3 mm², AWG 12

CK2,5-ED-4,00ST AG - Crimp contact

1663637

<https://www.phoenixcontact.com/pc/products/1663637>



Crimp contact, contact diameter: 2.5 mm, turned, Pin, contact material: Copper alloy, contact surface: silver-plated, connection cross section: 4 mm² ... 4 mm², AWG 12

HC-A16-I-CT-M-32 - Contact insert

1585456

<https://www.phoenixcontact.com/pc/products/1585456>



CK2,5-ED-0,50M AG - Crimp contact

1273667

<https://www.phoenixcontact.com/pc/products/1273667>



Crimp contact, contact diameter: 2.5 mm, turned, Pin, contact material: Copper alloy, lead-free, contact surface: silver-plated, connection cross section: 0.5 mm² ... 0.5 mm², AWG 20

CK2,5-ED-0,75M AG - Crimp contact

1273666

<https://www.phoenixcontact.com/pc/products/1273666>



Crimp contact, contact diameter: 2.5 mm, turned, Pin, contact material: Copper alloy, lead-free, contact surface: silver-plated, connection cross section: 0.75 mm² ... 0.75 mm², AWG 18

HC-A16-I-CT-M-32 - Contact insert

1585456

<https://www.phoenixcontact.com/pc/products/1585456>



CK2,5-ED-1,00M AG - Crimp contact

1273665

<https://www.phoenixcontact.com/pc/products/1273665>



Crimp contact, contact diameter: 2.5 mm, turned, Pin, contact material: Copper alloy, lead-free, contact surface: silver-plated, connection cross section: 1 mm² ... 1 mm², AWG 18

CK2,5-ED-1,50M AG - Crimp contact

1273664

<https://www.phoenixcontact.com/pc/products/1273664>



Crimp contact, contact diameter: 2.5 mm, turned, Pin, contact material: Copper alloy, lead-free, contact surface: silver-plated, connection cross section: 1.5 mm² ... 1.5 mm², AWG 16

HC-A16-I-CT-M-32 - Contact insert

1585456

<https://www.phoenixcontact.com/pc/products/1585456>



CK2,5-ED-2,50M AG - Crimp contact

1273663

<https://www.phoenixcontact.com/pc/products/1273663>



Crimp contact, contact diameter: 2.5 mm, turned, Pin, contact material: Copper alloy, lead-free, contact surface: silver-plated, connection cross section: 2.5 mm² ... 2.5 mm², AWG 14

CK2,5-ED-3,00M AG - Crimp contact

1273648

<https://www.phoenixcontact.com/pc/products/1273648>



Crimp contact, contact diameter: 2.5 mm, turned, Pin, contact material: Copper alloy, lead-free, contact surface: silver-plated, connection cross section: 3 mm² ... 3 mm², AWG 12

HC-A16-I-CT-M-32 - Contact insert

1585456

<https://www.phoenixcontact.com/pc/products/1585456>



CK2,5-ED-4,00M AG - Crimp contact

1273620

<https://www.phoenixcontact.com/pc/products/1273620>



Crimp contact, contact diameter: 2.5 mm, turned, Pin, contact material: Copper alloy, lead-free, contact surface: silver-plated, connection cross section: 4 mm² ... 4 mm², AWG 12

CK2,5-ED-0,37ST AU - Crimp contact

1585663

<https://www.phoenixcontact.com/pc/products/1585663>



Crimp contact, contact diameter: 2.5 mm, turned, Pin, contact material: Copper alloy, contact surface: gold-plated, connection cross section: 0.14 mm² ... 0.37 mm², AWG 22 ... 26

HC-A16-I-CT-M-32 - Contact insert

1585456

<https://www.phoenixcontact.com/pc/products/1585456>



CK2,5-ED-0,50ST AU - Crimp contact

1674804

<https://www.phoenixcontact.com/pc/products/1674804>



Crimp contact, contact diameter: 2.5 mm, turned, Pin, contact material: Copper alloy, contact surface: gold-plated, connection cross section: 0.5 mm² ... 0.5 mm², AWG 20

CK2,5-ED-1,00ST AU - Crimp contact

1674781

<https://www.phoenixcontact.com/pc/products/1674781>



Crimp contact, contact diameter: 2.5 mm, turned, Pin, contact material: Copper alloy, contact surface: gold-plated, connection cross section: 0.75 mm² ... 1 mm², AWG 18

HC-A16-I-CT-M-32 - Contact insert

1585456

<https://www.phoenixcontact.com/pc/products/1585456>



CK2,5-ED-1,50ST AU - Crimp contact

1674778

<https://www.phoenixcontact.com/pc/products/1674778>



Crimp contact, contact diameter: 2.5 mm, turned, Pin, contact material: Copper alloy, contact surface: gold-plated, connection cross section: 1.5 mm² ... 1.5 mm², AWG 16

CK2,5-ED-2,50ST AU - Crimp contact

1674817

<https://www.phoenixcontact.com/pc/products/1674817>



Crimp contact, contact diameter: 2.5 mm, turned, Pin, contact material: Copper alloy, contact surface: gold-plated, connection cross section: 2.5 mm² ... 2.5 mm², AWG 14

HC-A16-I-CT-M-32 - Contact insert

1585456

<https://www.phoenixcontact.com/pc/products/1585456>



CK2,5-ED-4,00ST AU - Crimp contact

1674794

<https://www.phoenixcontact.com/pc/products/1674794>



Crimp contact, contact diameter: 2.5 mm, turned, Pin, contact material: Copper alloy, contact surface: gold-plated, connection cross section: 4 mm² ... 4 mm², AWG 12

CK2,5-ED-0,37M AU - Crimp contact

1273603

<https://www.phoenixcontact.com/pc/products/1273603>



Crimp contact, contact diameter: 2.5 mm, turned, Pin, contact material: Copper alloy, lead-free, contact surface: gold-plated, connection cross section: 0.14 mm² ... 0.37 mm², AWG 22 ... 26

HC-A16-I-CT-M-32 - Contact insert

1585456

<https://www.phoenixcontact.com/pc/products/1585456>



CK2,5-ED-0,50M AU - Crimp contact

1273601

<https://www.phoenixcontact.com/pc/products/1273601>



Crimp contact, contact diameter: 2.5 mm, turned, Pin, contact material: Copper alloy, lead-free, contact surface: gold-plated, connection cross section: 0.5 mm² ... 0.5 mm², AWG 20

CK2,5-ED-1,00M AU - Crimp contact

1273582

<https://www.phoenixcontact.com/pc/products/1273582>



Crimp contact, contact diameter: 2.5 mm, turned, Pin, contact material: Copper alloy, lead-free, contact surface: gold-plated, connection cross section: 1 mm² ... 1 mm², AWG 18

HC-A16-I-CT-M-32 - Contact insert

1585456

<https://www.phoenixcontact.com/pc/products/1585456>



CK2,5-ED-1,50M AU - Crimp contact

1273581

<https://www.phoenixcontact.com/pc/products/1273581>



Crimp contact, contact diameter: 2.5 mm, turned, Pin, contact material: Copper alloy, lead-free, contact surface: gold-plated, connection cross section: 1.5 mm² ... 1.5 mm², AWG 16

CK2,5-ED-2,50M AU - Crimp contact

1273572

<https://www.phoenixcontact.com/pc/products/1273572>



Crimp contact, contact diameter: 2.5 mm, turned, Pin, contact material: Copper alloy, lead-free, contact surface: gold-plated, connection cross section: 2.5 mm² ... 2.5 mm², AWG 14

HC-A16-I-CT-M-32 - Contact insert

1585456

<https://www.phoenixcontact.com/pc/products/1585456>



CK2,5-ED-4,00M AU - Crimp contact

1273568

<https://www.phoenixcontact.com/pc/products/1273568>



Crimp contact, contact diameter: 2.5 mm, turned, Pin, contact material: Copper alloy, lead-free, contact surface: gold-plated, connection cross section: 4 mm² ... 4 mm², AWG 12

HC-A16-I-CT-F-32 - Contact insert

1585469

<https://www.phoenixcontact.com/pc/products/1585469>



Contact insert, number of positions: 16+PE, size: D25, number of connections per position: 1, Socket, Crimp connection, 250 V, 16 A, 0.5 mm² ... 4 mm²

HC-A16-I-CT-M-32 - Contact insert

1585456

<https://www.phoenixcontact.com/pc/products/1585456>



HC-A-PE-PT - Adapter

1054712

<https://www.phoenixcontact.com/pc/products/1054712>



PE adapter with PT connection, for 1 PE connection, for HC-A10 / HC-A16 / HC-D15 / HC-D25 series contact inserts

UNIFOX MT-CK 1.6/2.5 - Assembly tool

1089092

<https://www.phoenixcontact.com/pc/products/1089092>



Assembly tool, for CK 1.6... crimp contacts for small conductor cross sections

HC-A16-I-CT-M-32 - Contact insert

1585456

<https://www.phoenixcontact.com/pc/products/1585456>



UNIFOX RT-CK 2.5 - Contact removal tool

1072067

<https://www.phoenixcontact.com/pc/products/1072067>

Contact removal tool, for turned CK 2,5... contacts



Phoenix Contact 2023 © - all rights reserved

<https://www.phoenixcontact.com>

PHOENIX CONTACT GmbH & Co. KG

Flachsmarktstraße 8

D-32825 Blomberg

+49 (0) 5235-3 00

info@phoenixcontact.com