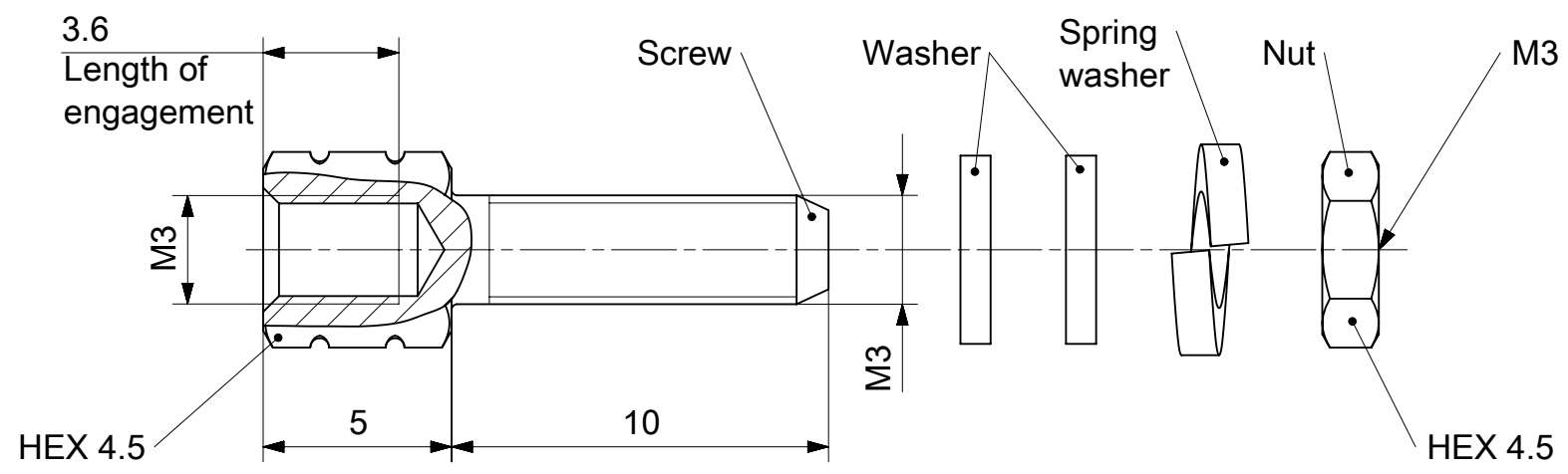
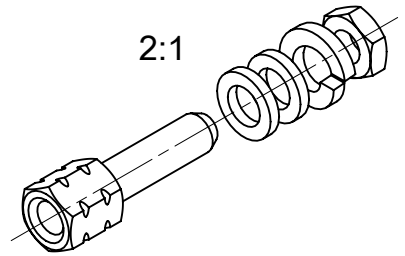


6 5 4 3 2 1



RoHS compliant
by exemption

1731121355	F62M057S245+S	Steel	Tin plated	1	-	-	-
1731120418	F-GSCH1/5-K676SN			1	2	1	1
Material Number	FCT Part Number	Material	Surface	Screw (pc.)	Washer (pc.)	Spring washer (pc.)	Nut (pc.)

UNLESS OTHERWISE SPECIFIED DIMENSIONS FOR REFERENCE ONLY REPLACEMENT FOR DOCUMENT NUMBER: F62M057_D

FUNCTIONAL SYMBOLS	THIS DRAWING CONTAINS INFORMATION THAT IS PROPRIETARY TO MOLEX ELECTRONIC TECHNOLOGIES, LLC AND SHOULD NOT BE USED WITHOUT WRITTEN PERMISSION										
	DIMENSION UNITS	SCALE	CURRENT REV DESC:				<p>FCT F-GSCH1/5-K676 M3/M3 FEMALE SCREW LOCK</p> <p>PRODUCT CUSTOMER DRAWING</p>				
$\frac{F}{A} = 0$	mm	5:1	EC NO: 731759								
$\frac{F}{E} = 0$	GENERAL TOLERANCES (UNLESS SPECIFIED)		DRWN: MSTEINBRUECK 2022/02/17								
$\frac{F}{P} = 0$	ANGULAR TOL ± °		CHK'D: MTEUBEL 2022/12/12								
DIVISIONAL SYMBOLS	4 PLACES	±	APPR: MTEUBEL 2022/12/12				<p>DOCUMENT NUMBER: 1731120418</p> <p>DOC TYPE: PSD</p> <p>DOC PART: 000</p> <p>REVISION: A1</p>				
	3 PLACES	±	INITIAL REVISION:								
	2 PLACES	±	DRWN: SKANDB 2021/08/30								
	1 PLACE	±	APPR: MTEUBEL 2021/11/22								
0 PLACES	±	DRAFT WHERE APPLICABLE MUST REMAIN WITHIN DIMENSIONS				<p>FIRST ANGLE PROJECTION</p>	<p>DRAWING: A4-SIZE</p>	<p>SERIES: 173112</p>	<p>MATERIAL NUMBER: SEE TABLE</p>	<p>CUSTOMER: GENERAL MARKET</p>	<p>SHEET NUMBER: 1 OF 1</p>

Generally twice a material number respectively FCT part number is needed per connector.

Packaging specification: 1731120003-PK

DOCUMENT STATUS	P1	RELEASE DATE	2022/12/12	10:20:29
-----------------	----	--------------	------------	----------

6 5 4 3 2 1

FORMAT: master-ib-prod-A4
REVISION: J
DATE: 2020/01/14