

1

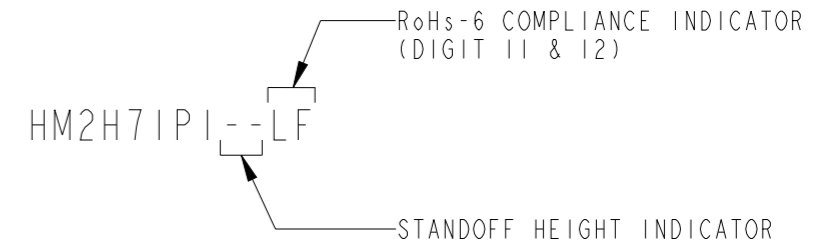
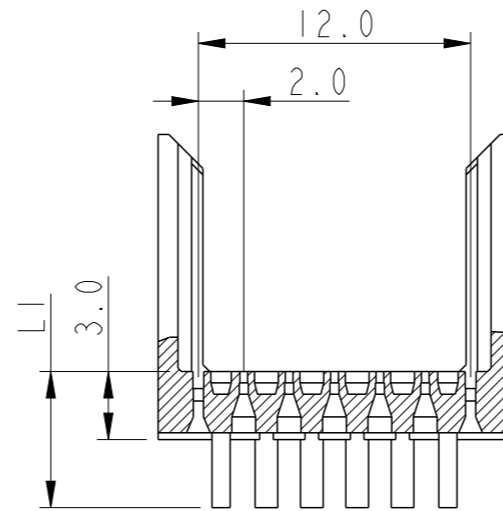
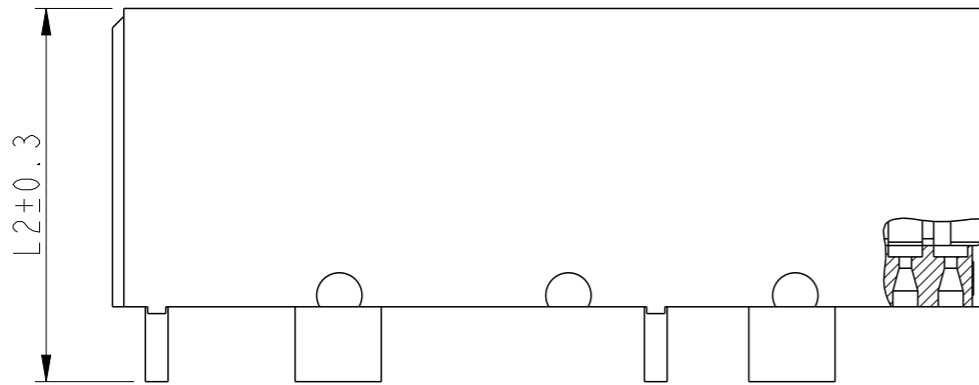
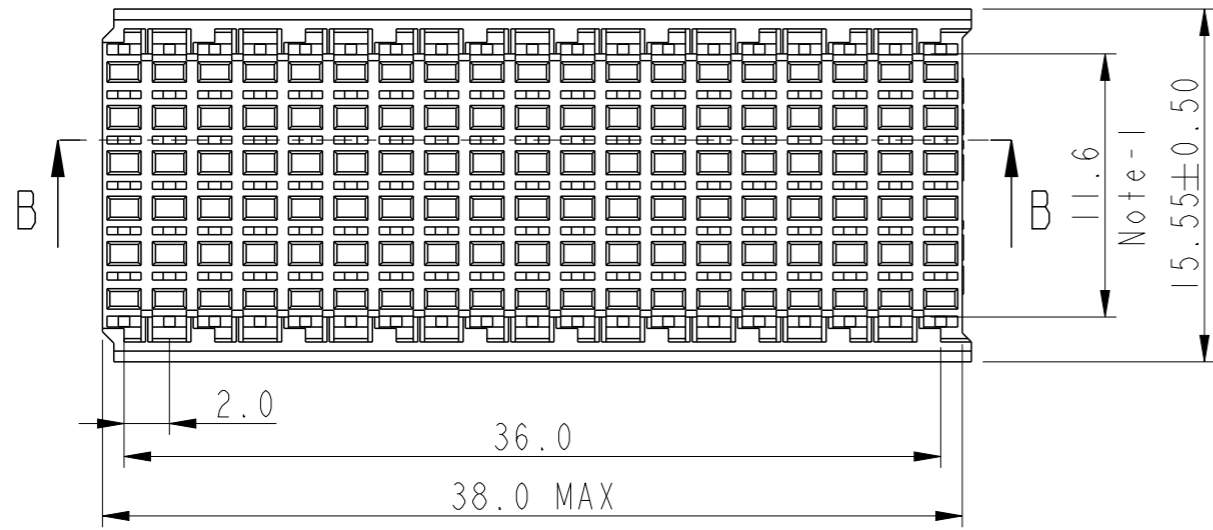
2

3

4

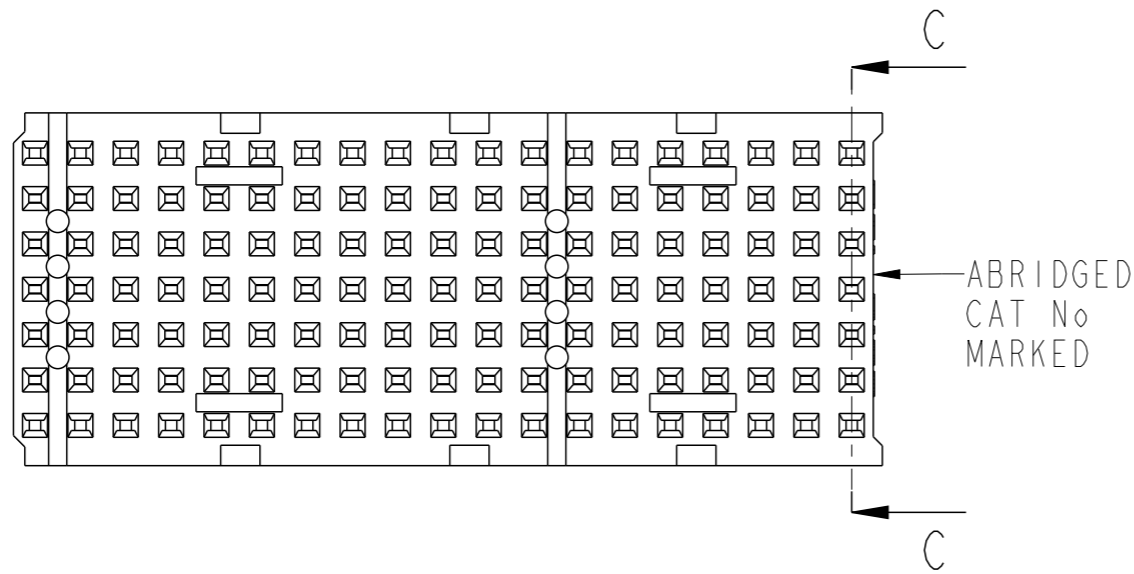
NOTES:

- 1, MEASURED AT THE BOTTOM
- 2, MATERIAL : GLASS REINFORCED POLYESTER UL94-V0
- 3, THE PRODUCT (LF) MEETS EUROPEAN UNION DIRECTIVES AND OTHER COUNTRY REGULATIONS AS DESCRIBED IN GS-22-008
- 4, PARTS WITH AND WITHOUT SUFFIX LF TO THE PRODUCT PART NUMBER ARE IDENTICAL IN FORM , FIT AND FUNCTION LF SUFFIX IS ADDED TO THE PART NUMBER OF THIS PRODUCT TO HAVE UNIFORM IDENTIFICATION OF ALL RoHS COMPATIBLE PRODUCTS



SECTION C-C

CAT. NO.	L1	L2	
HM2H7IP1LF	3.0	13.45	AVAILABLE
HM2H7IP109LF	3.9	14.35	AVAILABLE
HM2H7IP111LF	4.1	14.55	AVAILABLE
HM2H7IP113LF	4.3	14.75	AVAILABLE
HM2H7IP115LF	4.5	14.95	AVAILABLE
HM2H7IP117LF	4.7	15.15	AVAILABLE
HM2H7IP119LF	4.9	15.35	AVAILABLE
HM2H7IP122LF	5.2	15.65	AVAILABLE
HM2H7IP130LF	6.0	16.45	AVAILABLE



www.fciconnect.com		surface - ✓ ISO 1302	tolerance std ISO 406 ISO 1101	projection mm
TOLERANCES UNLESS OTHERWISE SPECIFIED				←→
Dr	Alex Babu	2008-12-06	ANGULAR	0.X ±0.2
Eng	Alex Babu	2008-12-06	LINEAR	0.XX ±0.1
Chr	Alex Babu	2008-12-06	0° ±1°	size A3
Appr	Biju K Paul	2008-12-06	Product family	ECN 107-0054
			MILLIPACS	Spec ref -
FCi		MILLIPACS 5+2 ROW SHROUD	dwg no	BSC201630039
		TYPE-B (19 Pos)	Rev.	E
		catalog no	HM2H7IP1--LF	CUSTOMER DRAWING sheet 1 of 1

rev	ecn no	dr	date
A	Con Rev-06	KN	2001-09-14
B	105-0241	AB	2005-11-22
C	106-0096	VK	2006-07-04
D	107-0128	AB	2007-09-28
E	107-0054	AB	2008-12-16
-	-	-	-
-	-	-	-



Copyright FCI.