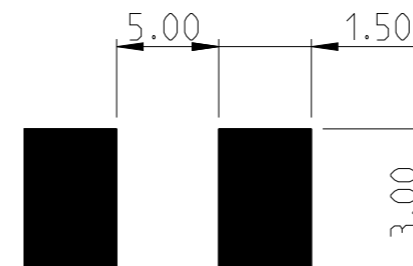
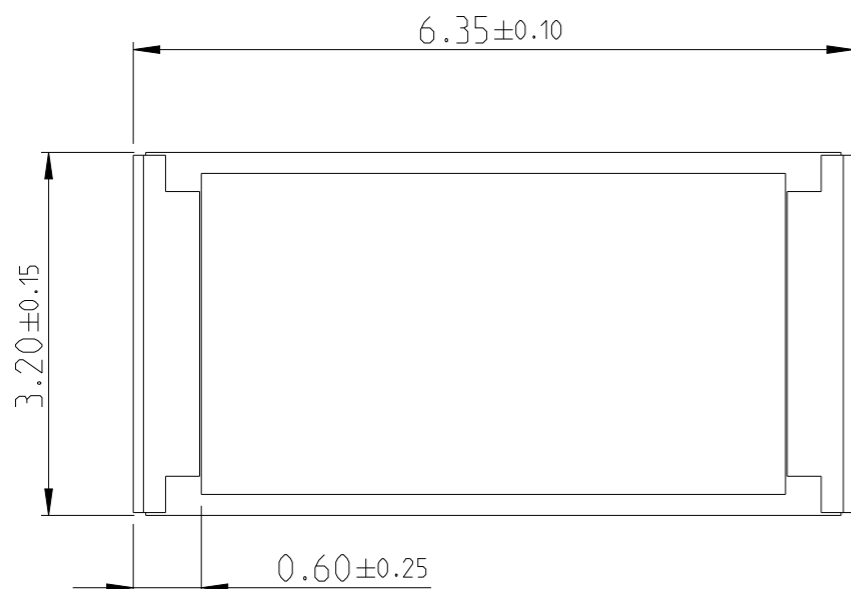


P	LTR	DESCRIPTION	DATE	DWN	APVD
	BC	ECR-16-000748	18JAN2016	KR	TN
	BC1	ECR-22-127236	21JAN2022	KS	TG
	BC2	DRAWING SCHEDULE UPDATED	31MAY2023	DM	AP

FOR FURTHER INFORMATION SEE DATA SHEET FOR SMD POWER RESISTOR TYPE 3521 SERIES

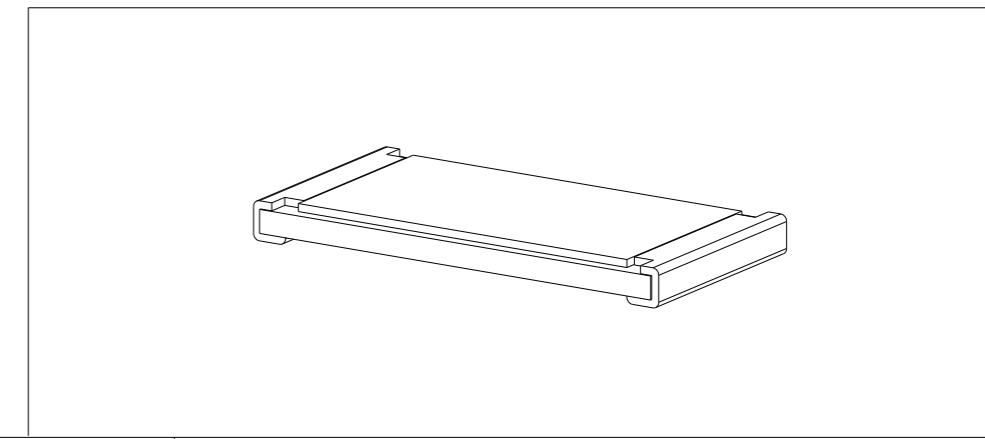


PCB LAYOUT PLAN

4 LAYERS PCB SPECIFICATION:
 1) OUTSIDE 2 LAYERS (TOP AND BOTTOM) WITH COPPER FOIL THICKNESS AT 2 oz.
 2) INSIDE 2 LAYERS (MIDDLE LAYERS) WITH COPPER FOIL THICKNESS AT 4 oz.



RoHS Compliant



THIS DRAWING IS A CONTROLLED DOCUMENT.		DWN 15MAR2012 DARSHAN MS				
DIMENSIONS: mm		CHK 15MAR2012 ALLAN P				
TOLERANCES UNLESS OTHERWISE SPECIFIED:		APVD 15MAR2012 STEPHEN.P	NAME SMD POWER RESISTORS - TYPE 3521 SERIES			
		PRODUCT SPEC -	APPLICATION SPEC -			
MATERIAL		WEIGHT 0.03806 Gram	SIZE A3	CAGE CODE 00779	DRAWING NO C-2176071	RESTRICTED TO
FINISH		CUSTOMER DRAWING	SCALE 5:1	SHEET 1 OF 2	REV BC2	

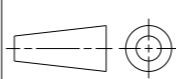
REVISIONS

P	LTR	DESCRIPTION	DATE	DWN	APVD
-		SEE SHEET 1	-	-	-

SCHEDULE

TCPN	CATALOGUE NUMBER	PART DESCRIPTION	PART STATUS
2176071-1	3521130KFT	3521 130K 1% 2W	PRODUCTION
2176071-2	3521150KFT	3521 150K 1% 2W	PRODUCTION
2176071-3	3521160KFT	3521 160K 1% 2W	PRODUCTION
2176071-4	3521180KFT	3521 180K 1% 2W	PRODUCTION
2176071-5	3521200KFT	3521 200K 1% 2W	PRODUCTION
2176071-6	3521220KFT	3521 220K 1% 2W	PRODUCTION
2176071-7	3521240KFT	3521 240K 1% 2W	PRODUCTION
2176071-8	3521270KFT	3521 270K 1% 2W	PRODUCTION
2176071-9	3521300KFT	3521 300K 1% 2W	PRODUCTION
1-2176071-0	3521330KFT	3521 330K 1% 2W	PRODUCTION
1-2176071-1	3521360KFT	3521 360K 1% 2W	PRODUCTION
1-2176071-2	3521390KFT	3521 390K 1% 2W	PRODUCTION
1-2176071-3	3521430KFT	3521 430K 1% 2W	PRODUCTION
1-2176071-4	3521470KFT	3521 470K 1% 2W	PRODUCTION
1-2176071-5	3521510KFT	3521 510K 1% 2W	PRODUCTION
1-2176071-6	3521560KFT	3521 560K 1% 2W	PRODUCTION
1-2176071-7	3521620KFT	3521 620K 1% 2W	PRODUCTION
1-2176071-8	3521680KFT	3521 680K 1% 2W	PRODUCTION
1-2176071-9	3521750KFT	3521 750K 1% 2W	PRODUCTION
2-2176071-0	3521820KFT	3521 820K 1% 2W	PRODUCTION
2-2176071-1	3521910KFT	3521 910K 1% 2W	PRODUCTION
2-2176071-2	35211M0FT	3521 1M0 1% 2W	PRODUCTION
2-2176071-3	35215R1FT	3521 5R1 1% 2W	PRODUCTION
3-2176071-6	352159RFT	3521 59R 1% 2W	PRODUCTION
3-2176071-7	35211R0FT	3521 1R0 1% 2W	PRODUCTION
3-2176071-8	35211R5FT	3521 1R5 1% 2W	PRODUCTION
3-2176071-9	35212R2FT	3521 2R2 1% 2W	PRODUCTION
4-2176071-0	35213R3FT	3521 3R3 1% 2W	PRODUCTION
4-2176071-1	35214R7FT	3521 4R7 1% 2W	PRODUCTION
4-2176071-2	35216R8FT	3521 6R8 1% 2W	PRODUCTION
4-2176071-3	35211M5FT	3521 1M5 1% 2W	PRODUCTION
4-2176071-4	35212M2FT	3521 2M2 1% 2W	PRODUCTION
4-2176071-5	35213M3FT	3521 3M3 1% 2W	PRODUCTION
4-2176071-6	35214M7FT	3521 4M7 1% 2W	PRODUCTION
4-2176071-7	35216M8FT	3521 6M8 1% 2W	PRODUCTION
4-2176071-8	352110MFT	3521 10M 1% 2W	PRODUCTION

THIS DRAWING IS A CONTROLLED DOCUMENT.

DIMENSIONS:	TOLERANCES UNLESS OTHERWISE SPECIFIED:
mm	0 PLC ±
	1 PLC ±
	2 PLC ±
	3 PLC ±
	4 PLC ±
	ANGLES ±
MATERIAL	FINISH
-	-
-	-

DWN	15MAR2012
DARSHAN MS	
CHK	15MAR2012
ALLAN P	
APVD	15MAR2012
STEPHEN.P	
PRODUCT SPEC	
APPLICATION SPEC	
WEIGHT	0.03806 Gram
CUSTOMER DRAWING	

TE TE Connectivity

NAME
SMD POWER RESISTORS - TYPE 3521 SERIES

SIZE	CAGE CODE	DRAWING NO	RESTRICTED TO
A3	00779	©=2176071	-

SCALE 5:1 SHEET 2 OF 2 REV BC2