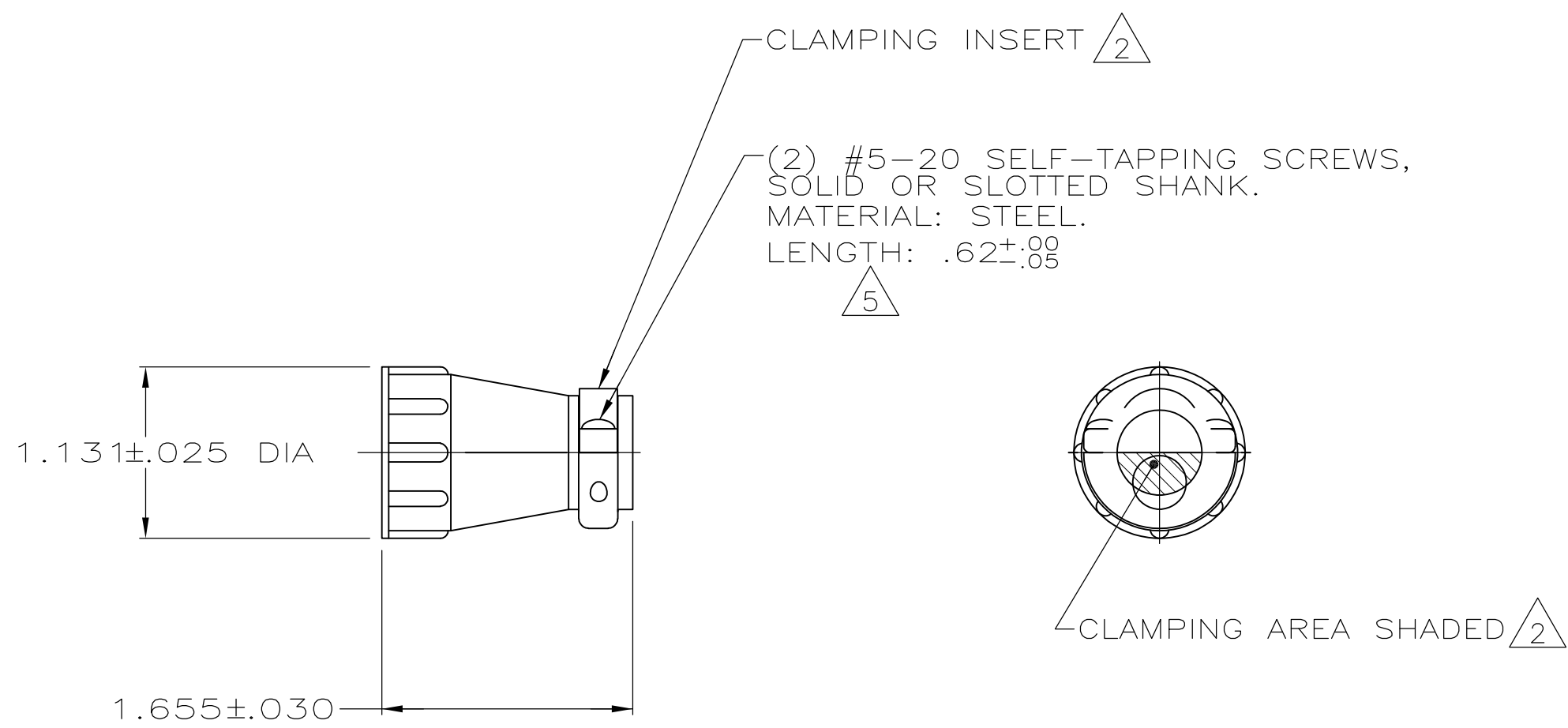


THIS DRAWING IS UNPUBLISHED. RELEASED FOR PUBLICATION
 © COPYRIGHT - By - ALL RIGHTS RESERVED.

LOC	DIST	REVISIONS					
BD	0	P	LTR	DESCRIPTION	DATE	DWN	APVD
		M1		REVISED PER ECO-11-004917	11MAR11	RK	HMR



- 1 PARTS PACKAGED UNASSEMBLED.
- 2 CABLE CLAMPING AREA ADJUSTABLE FROM .100 TO .410 SQ IN BY REVERSING CLAMPING INSERTS.
- 3 .703 MAXIMUM CABLE OUTSIDE DIAMETER.
- 4 BULK PACKAGED KITS TO BE ORDERED IN MULTIPLES OF 100 ONLY.
- 5 FINISH: ZINC NON-HEXAVALENT CHROMATE.

5	4	BULK	207008-6
5	4	INDIVIDUAL	207008-5
5	4	SUPERSEDED BY 207008-6 BULK	207008-2
5	4	SUPERSEDED BY 207008-5 INDIVIDUAL	207008-1
		PACKAGING	PART NUMBER

THIS DRAWING IS A CONTROLLED DOCUMENT.		DWN	A GRAFF	4/23/91	STE TE Connectivity		
DIMENSIONS: INCHES		CHK	W.G.LENKER	7-23-92			
TOLERANCES UNLESS OTHERWISE SPECIFIED:		APVD	-	-	NAME		
0 PLC ± -		PRODUCT SPEC		CABLE CLAMP KIT, LARGE, SHELL SIZE 13, CPC			
1 PLC ± -		108-10024					
2 PLC ± -		APPLICATION SPEC					
3 PLC ± -		-		SIZE	CAGE CODE	DRAWING NO	RESTRICTED TO
4 PLC ± -		-		A3	00779	C-207008	-
ANGLES ± -		WEIGHT		SCALE 1:1 SHEET 1 OF 1 REV M1			
MATERIAL THERMOPLASTIC		FINISH -		CUSTOMER DRAWING			