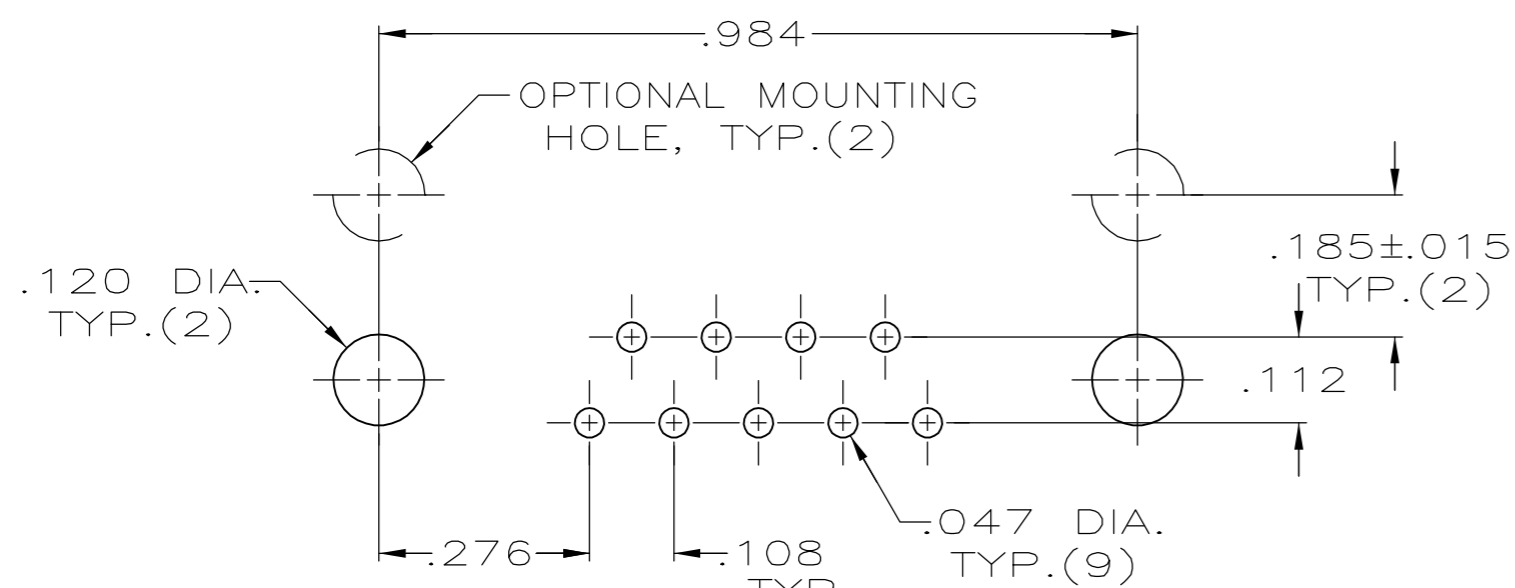
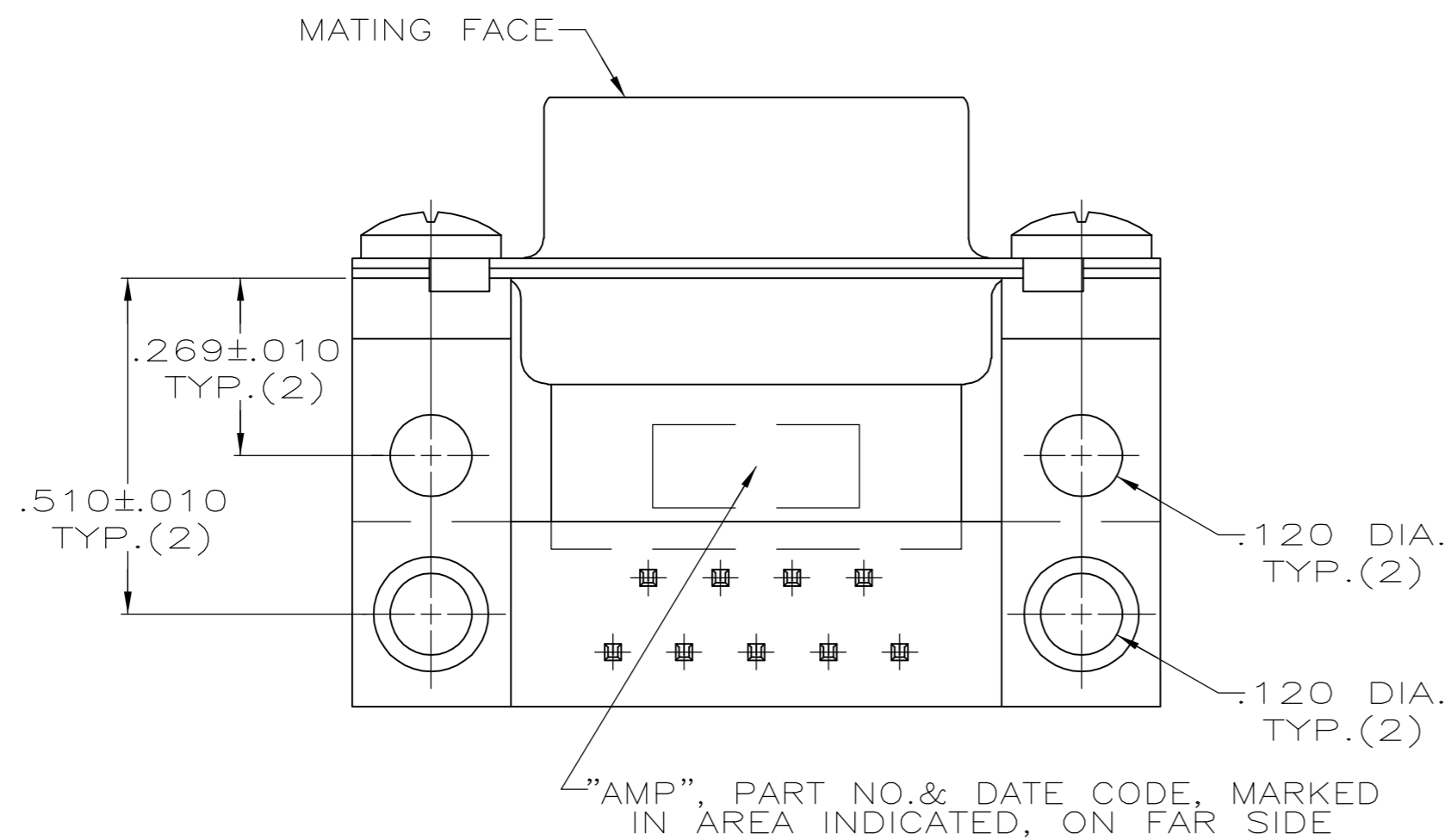
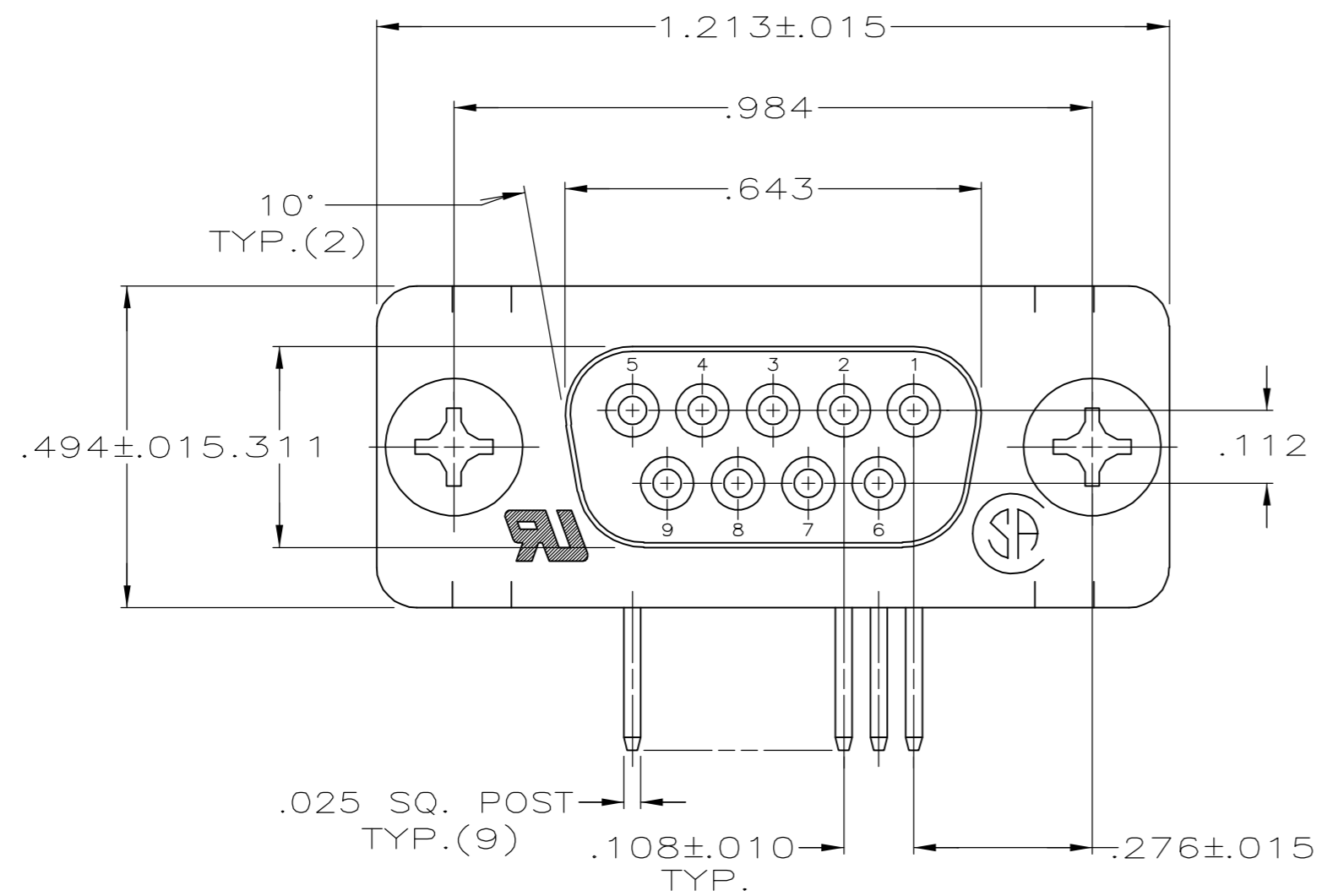


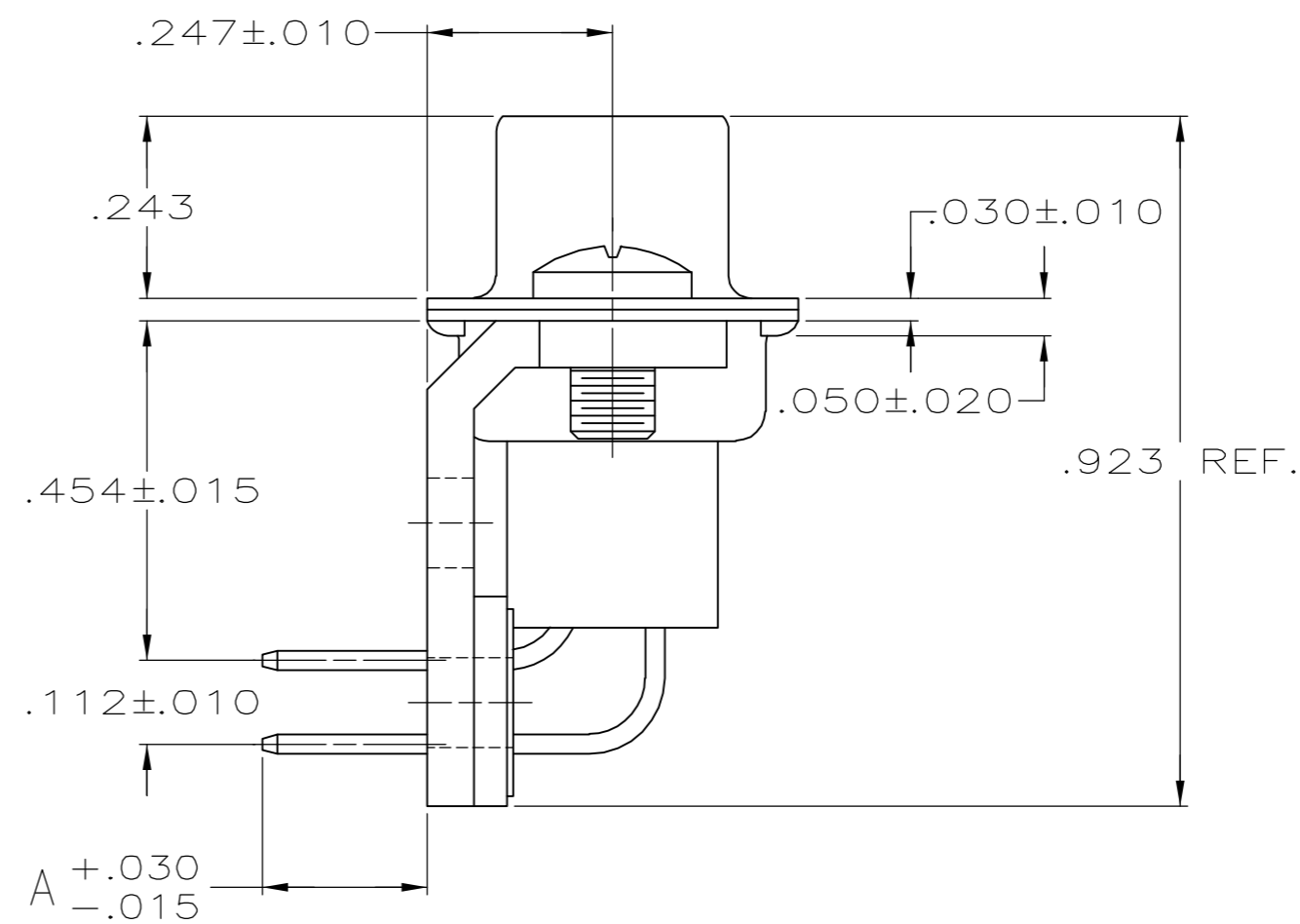
THIS DRAWING IS UNPUBLISHED. RELEASED FOR PUBLICATION  
 © COPYRIGHT BY TYCO ELECTRONICS CORPORATION. ALL RIGHTS RESERVED.

LOC	DIST	REVISIONS					
GP	00	P	LTR	DESCRIPTION	DATE	DWN	APVD
		J		REVISED PER ECO-06-010458	07SEPT06	JP	SB



P.C. BOARD MOUNTING DIMENSIONS

- ① MOLDED PARTS: THERMOPLASTIC, BLACK, UL 94V-0 RATED.  
SHELLS & BRACKETS: STEEL PER ASTM A109.  
CONTACTS: PHOSPHOR BRONZE PER QQ-B-750.  
SCREWS: SEE TABLE.
- ② SHELLS & BRACKETS: TIN PLATED.  
CONTACTS: SEE TABLE.  
SCREWS: SEE TABLE.
- ③ TIN PLATING PER MIL-T-10727, GOLD PLATING PER MIL-G-45204,  
NICKEL PLATING PER QQ-N-290.
- ④ CARBON STEEL.
- ⑤ STAINLESS STEEL.
- ⑥ PASSIVATED.
- ⑦ ZINC PLATED, CLEAR CHROMATE COATED.
- ⑧ GOLD FLASH FOR A LENGTH OF .100 MIN FROM MATING END,  
.000100 MIN TIN-LEAD ON OPPOSITE END, BOTH OVER .000050 MIN NICKEL.
- ⑨ .000030 MIN GOLD FOR A LENGTH OF .100 MIN FROM MATING END,  
.000100 MIN TIN-LEAD ON OPPOSITE END, BOTH OVER .000050 MIN NICKEL.
- 10. CONNECTOR MATES WITH ANY 9 POSITION PLUG IN AMPLIMITE SERIES  
AND COMPLIES WITH AMP 108-40005 WHERE APPLICABLE.



OBSOLETE	.220	⑧	⑥	⑤	745438-5
	.125	⑨	⑦	④	745438-4
	.125	⑧	⑦	④	745438-3
OBSOLETE	.220	⑨	⑦	④	745438-2
OBSOLETE	.220	⑧	⑦	④	745438-1
	A	CONTACT FINISH	4-40 SCREW FINISH	4-40 SCREW MATERIAL	PART NUMBER

THIS DRAWING IS A CONTROLLED DOCUMENT.

DIMENSIONS: INCHES	TOLERANCES UNLESS OTHERWISE SPECIFIED:	DWN J.GERACE 12-29-83	 Tyco Electronics Corporation Harrisburg, PA 17105-3608
	0 PLC ± -	CHK J.GERACE 12-29-83	
	1 PLC ± -	APVD J.ASSINI 3-15-84	
	2 PLC ± -	PRODUCT SPEC	
MATERIAL	FINISH	APPLICATION SPEC	RECEPTACLE ASSY, SIZE 1, 9 POSN, R/A, .454 SERIES, .025 SQ POSTS, AMPLIMITE™ HDR

SCALE: 4:1 SHEET 1 OF 1 REV J