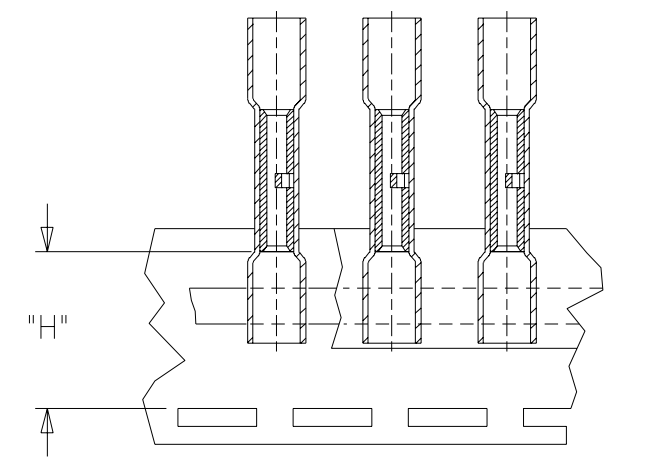
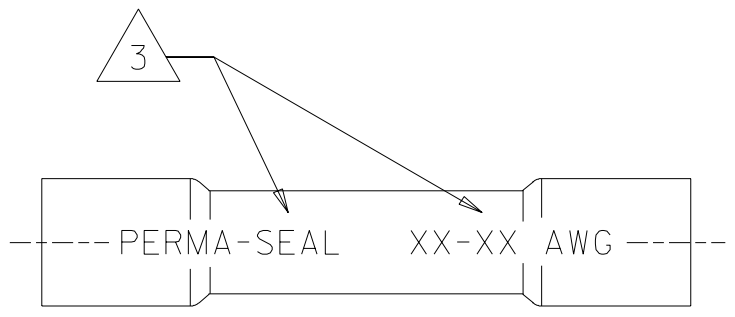
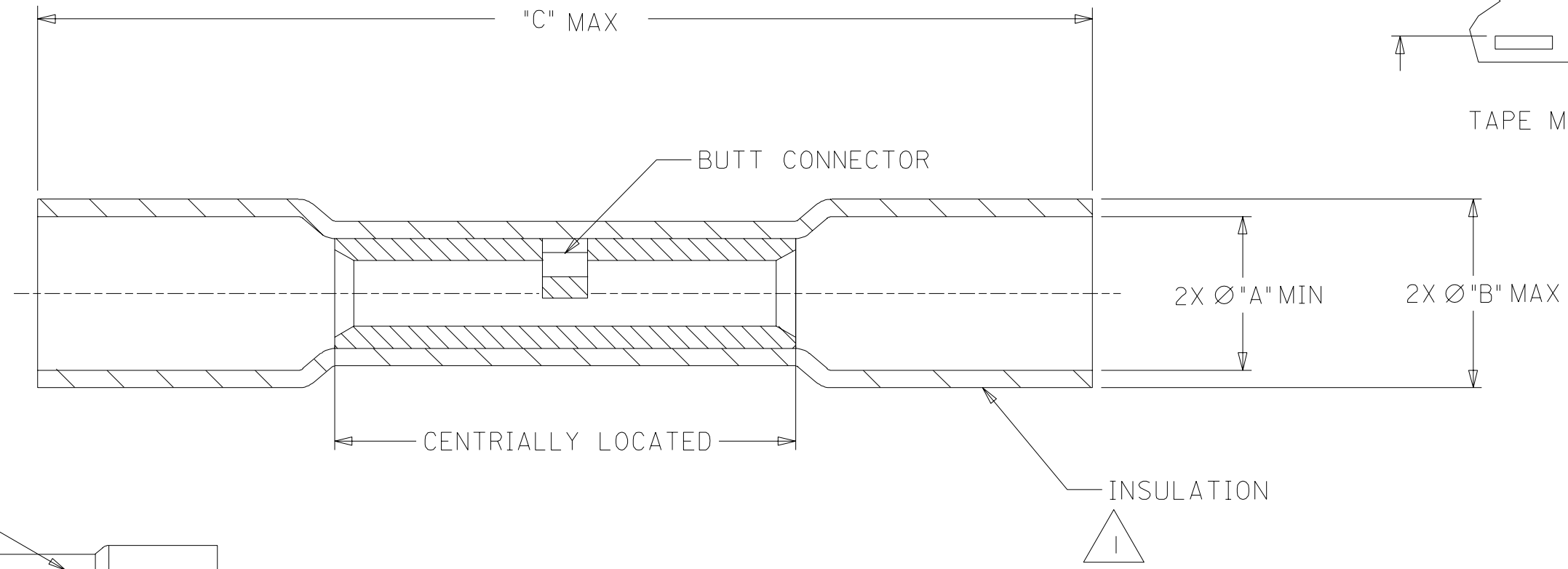


MATERIAL NUMBER	ENGINEERING NUMBER	MYLAR TAPE MATERIAL NUMBER	MYLAR TAPE ENGINEERING NUMBER	PERMA-SEAL COLOR	WIRE AWG △ ₃	"A" MIN	"B" Ø MAX	"C" MAX	"H" © ±.010/0.25
191640013	SAA-22-18	191640014	SAA-22-18T	RED	22-18	.210/5.33	.280/7.11	1.50/38.1	.767/19.48
191640044	SBB-16-14	191640045	SBB-16-14T	BLUE	16-14	.230/5.84	.308/7.82	1.50/38.1	.727/18.47
191640056	SC-12-10	191640057	SC-12-10T	YELLOW	12-10	.305/7.75	.350/8.90	1.75/44.5	.754/19.15
191640079	SD-8	---	---	RED	8	.370/9.40	.448/11.38	2.00/50.8	---



TAPE MOUNTING LOCATION



SALES DRAWING

- NOTES,
- 1. INSULATION MATERIAL: HEAT SHRINKABLE TUBING WITH HOTMELT INNER LINER. SEE CHART FOR COLOR.
 - 2. SEAMLESS TIN PLATED COPPER TERMINAL.
 - 3. PRINTED TEXT IN BLACK .06 HIGH AS SHOWN.

REVISED "H" EC NO. ETC2004-0051 DRWN: BRE 04/05/05 CHK: HEB 04/05/05 APPR: RWD 04/05/05	QUALITY SYMBOLS MAJOR ▲ = 0 CRITICAL △ = 0	GENERAL TOLERANCES: (UNLESS SPECIFIED)		SCALE NO: NE	DESIGN UNITS <input type="checkbox"/> mm <input checked="" type="checkbox"/> INCH	THIRD ANGLE PROJECTION <input type="checkbox"/> mm <input checked="" type="checkbox"/> INCH <input type="checkbox"/> mm ONLY	SHT	REV
		4 PLACES ±0.	mm	INCH	±.	DRAWN BY & DATE BRE 02/03/22	TITLE: PERMA-SEAL BUTT CONNECTORS NIAC	
C	REV	3 PLACES ±0.	ANGULAR: ± 1/2 °		CHECKED BY & DATE HEB 02/03/22	MOLEX INCORPORATED		
		2 PLACES ±0.	DRAFT WHERE APPLICABLE MUST REMAIN WITHIN DIMENSIONS		APPROVED BY & DATE RWD 02/03/22	CAD FILENAME SD-19164-017 .DGN	MATERIAL NO. SEE CHART	DRAWING NO. SD-19164-017
		1 PLACE ±0.	THIS DRAWING CONTAINS INFORMATION THAT IS PROPRIETARY TO MOLEX INCORPORATED AND SHOULD NOT BE USED WITHOUT WRITTEN PERMISSION.		SIZE B			