

**Specifications:**

Stack Number:	1			
LED Color:	YELLOW			
Connection Wires:	Yellow and Brown			
LED Current Draw:	<60 mA			
Rated Voltage:	24 VAC/DC			
Operating Voltage:	20-28 VAC/DC			
Total Max Current:	<60mA			
Operating Temperature:	-25° ~ +60°C			
Lens Color:	Opaque White			
Material:	ABS FR15U			
Mounting Method:	Direct Mount using 1/2" NPT Stainless Steel Pipe and Nut			
Weight Typical (g):	160			
NEMA 12:	Approved			
Options:	Please contact factory.			

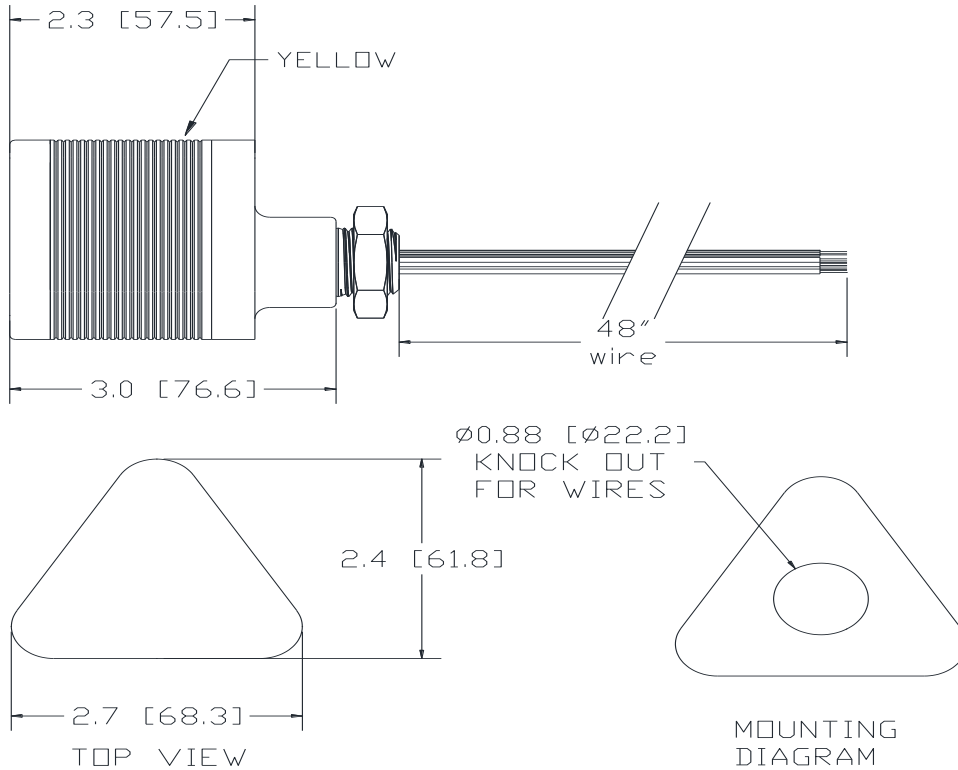
**Dimensions:**

Inches (mm)

**cUL Recognized**

**ROHS Compliant**

PATENT NUMBER D898600



**LED OPERATION:** CONNECT STACK COLOR WIRE TO POWER AND BROWN WIRE TO POWER.