

THIS DRAWING IS UNPUBLISHED.

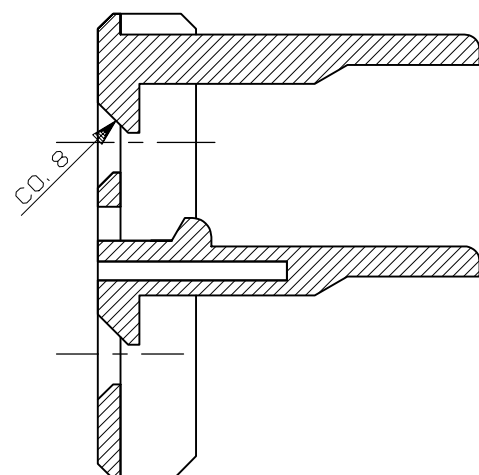
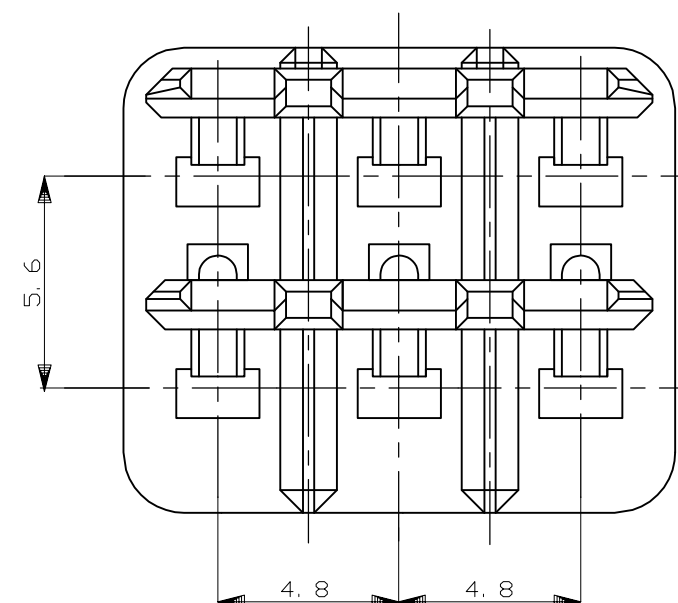
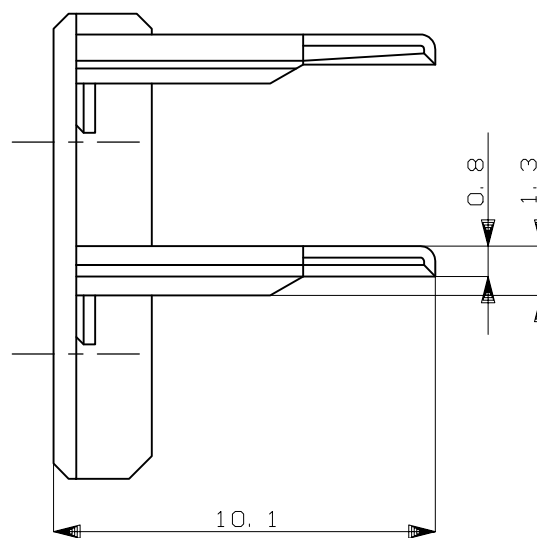
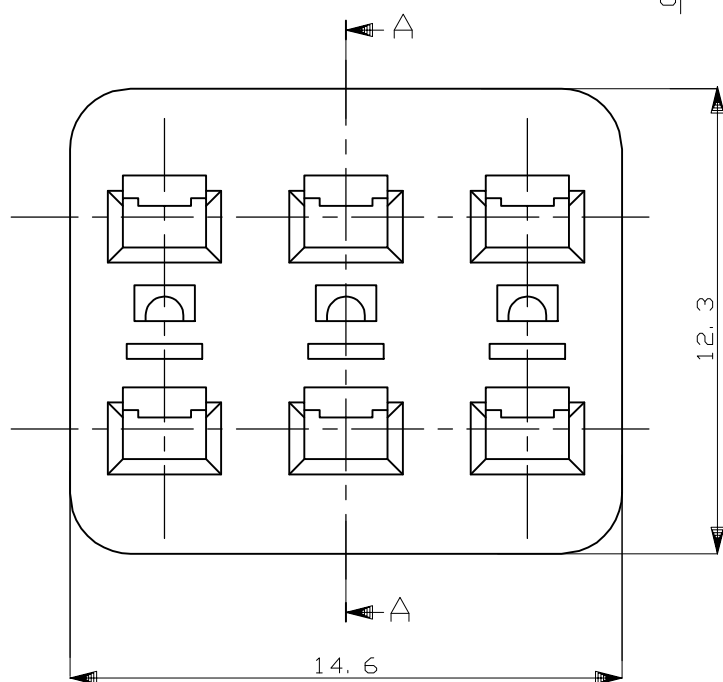
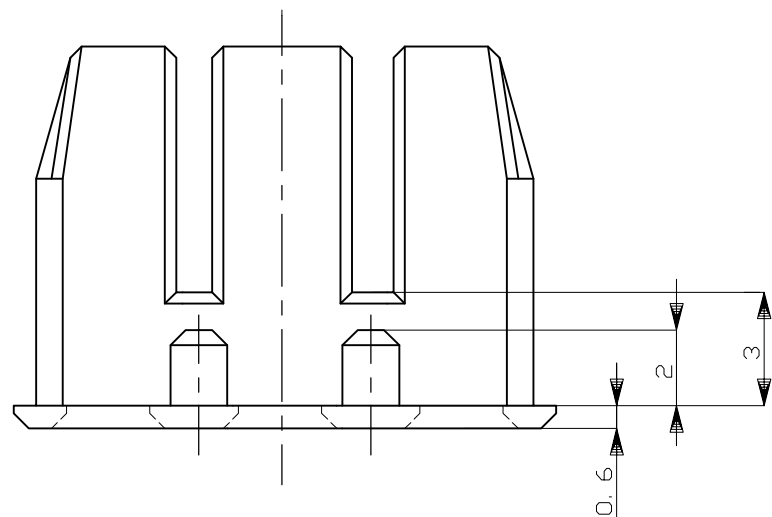
RELEASED FOR PUBLICATION

ALL RIGHTS RESERVED.

© COPYRIGHT - By -

REVISIONS

P	LTR	DESCRIPTION	DATE	DWN	APVD
	B2	REVISED	22JUN2018	TS	HY



SECT 断面 A-A


GENERAL TOLERANCE

0 < * ≤ 10	: ±0.2
10 < * ≤ 30	: ±0.25
30 < * ≤ 100	: ±0.3
ANGLES	: ±3°

1. 本品は、プラグハウジング型番174262及び2822346に装着される

1. TO BE MATED WITH PLUG HOUSING PN 174262 AND 2822346

HB	自然色 (NATURAL)	1-174263-1
V-2	黄 (YELLOW)	174263-7
使用材料難燃グレード (FLAMMABILITY OF MATERIAL)	色 (COLOR)	型番 (PART NUMBER)

THIS DRAWING IS A CONTROLLED DOCUMENT.		DWN T.SAGAWA 5/16'89	 TE Connectivity Ltd.					
DIMENSIONS: mm		CHK Y.MATSUSAKA 5/26'89				NAME		
TOLERANCES UNLESS OTHERWISE SPECIFIED:		APVD M.NOGUCHI 5/31'89				6P. ECONOSEAL J-MARKII+ CONNECTOR DOUBLE LOCK PLATE FOR PLUG HOUSING		
0 PLC ± - 1 PLC ± - 2 PLC ± - 3 PLC ± - 4 PLC ± - ANGLES ± -		PRODUCT SPEC 108-5262				RESTRICTED TO		
MATERIAL PBT		FINISH -	APPLICATION SPEC -	SIZE A3	CAGE CODE 00779	DRAWING NO C-174263		
CUSTOMER DRAWING			WEIGHT 0.5 g	SCALE 5:1	SHEET 1 OF 1	REV B2		