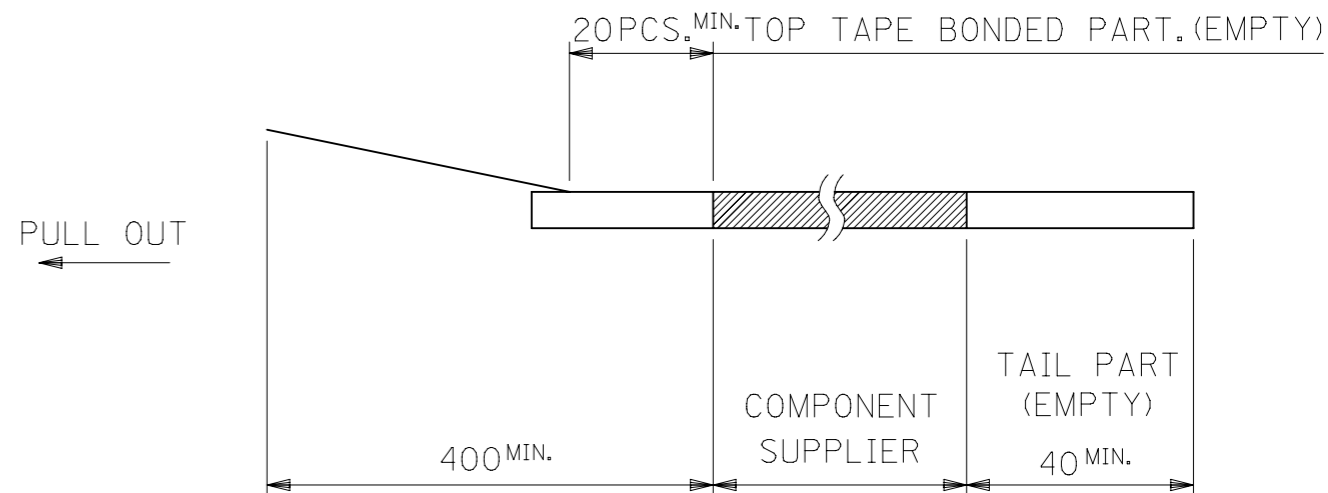


NOTES

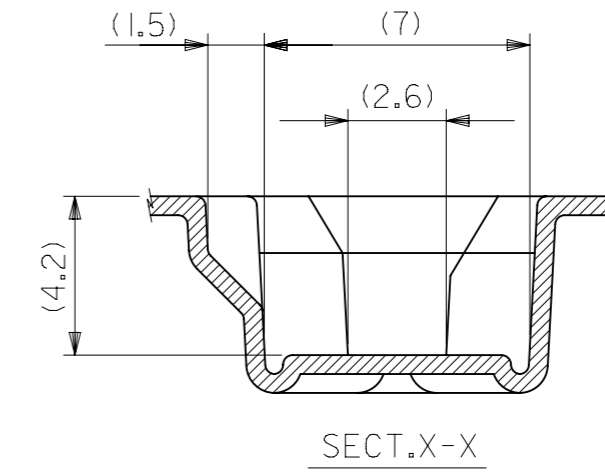
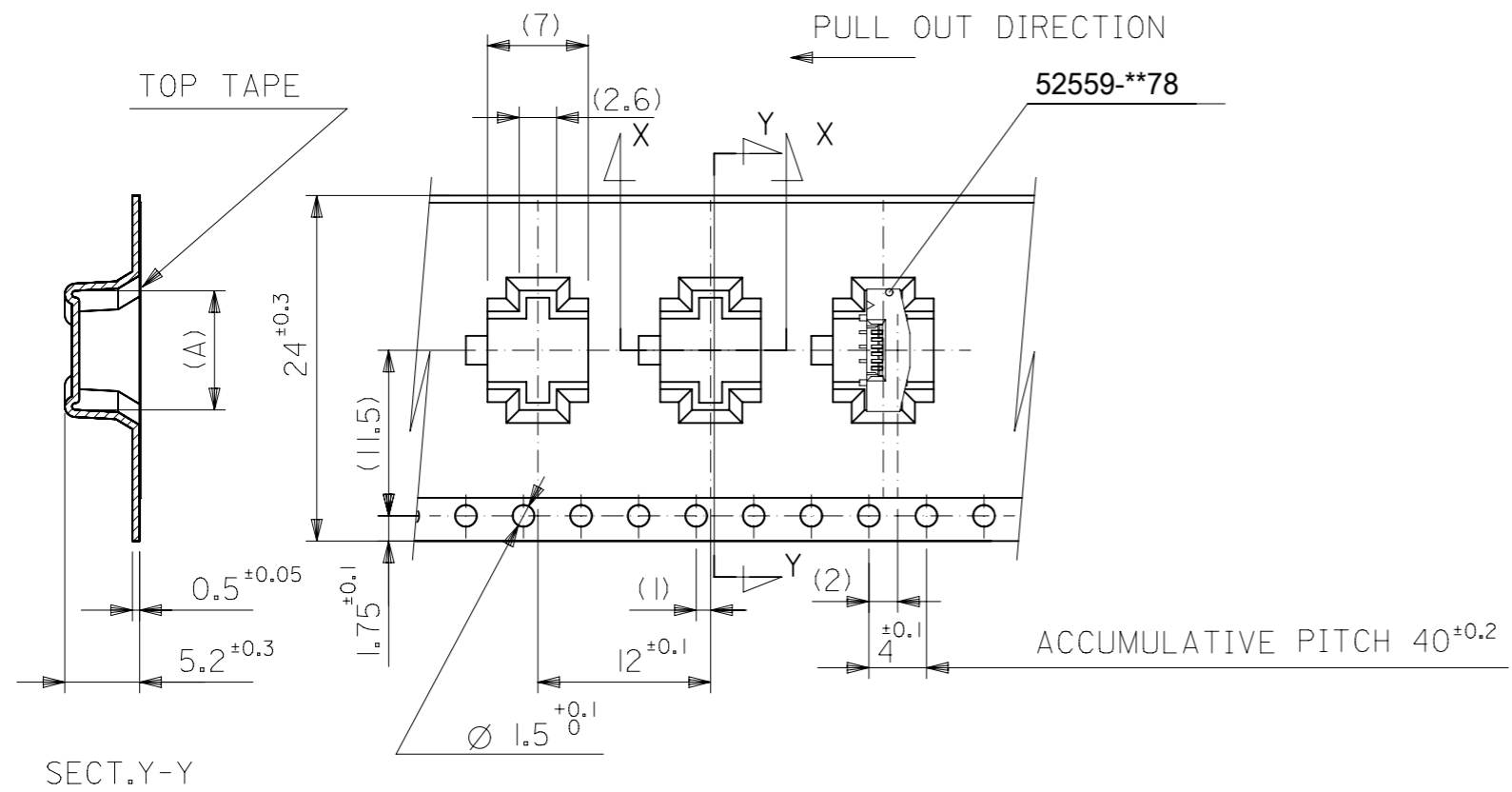
1. IN THE PACKAGE,ACTUATOR OF PART NO. **52559-**78** SHOULD BE LOCKED
REDETAILED DIMENSIONS,SEE **ASSY DRAWING**
2. NUMBER OF CONNECTORS:1000PCS/REEL
3. LEAD TAPE LENGTH



4. MATERIAL CARRIER TAPE:POLYPROPYLENE
TOP TAPE:PET,PE,PEF
REEL:POLYSTYRENE (PS)
<RECYCLE MATERIAL CONTAINED>

GENERAL TOLERANCES (UNLESS SPECIFIED)	
UNDER 10	±0.2
OVER 10 UNDER 30	±0.25
OVER 30	±0.3
ANGULAR	±3°

THIS DRAWING CONTAINS INFORMATION THAT IS PROPRIETARY TO MOLEX ELECTRONIC TECHNOLOGIES, LLC AND SHOULD NOT BE USED WITHOUT WRITTEN PERMISSION		52559-**55		MODEL NO.	
DIMENSION UNITS		SCALE		CURRENT REV DESC:	
mm		NTS		EC NO: 620398	
GENERAL TOLERANCES (UNLESS SPECIFIED)				DRWN: AKUMAR19 2018/12/24	
				CHK'D: GGA 2019/10/18	
				APPR: GGA 2019/10/18	
				INITIAL REVISION:	
				DRWN: Y.AOYAGI 2008/09/01	
				APPR: N.UKITA 2008/09/01	
ANGULAR TOL ± °		THIRD ANGLE PROJECTION		DRAWING	
DRAFT WHERE APPLICABLE MUST REMAIN WITHIN DIMENSIONS		A3-SIZE		SERIES	
				52559	
		MATERIAL NUMBER		CUSTOMER	
		SEE TABLE		GENERAL MARKET	
		DOCUMENT NUMBER		DOC TYPE	
		SD-52559-055		PSD	
		DOC PART		REVISION	
		001		C	
		SHEET NUMBER			
				1 OF 4	



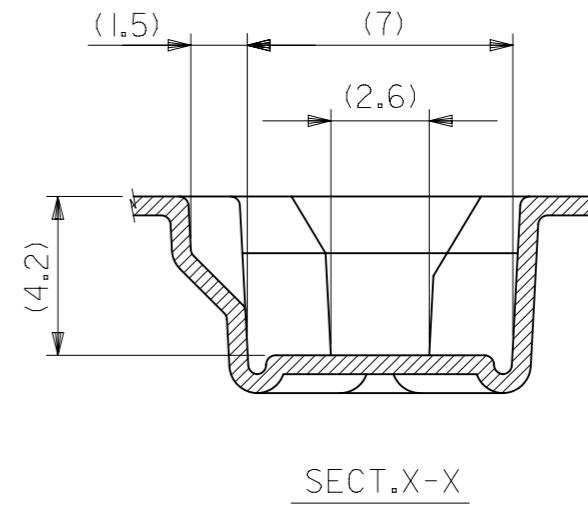
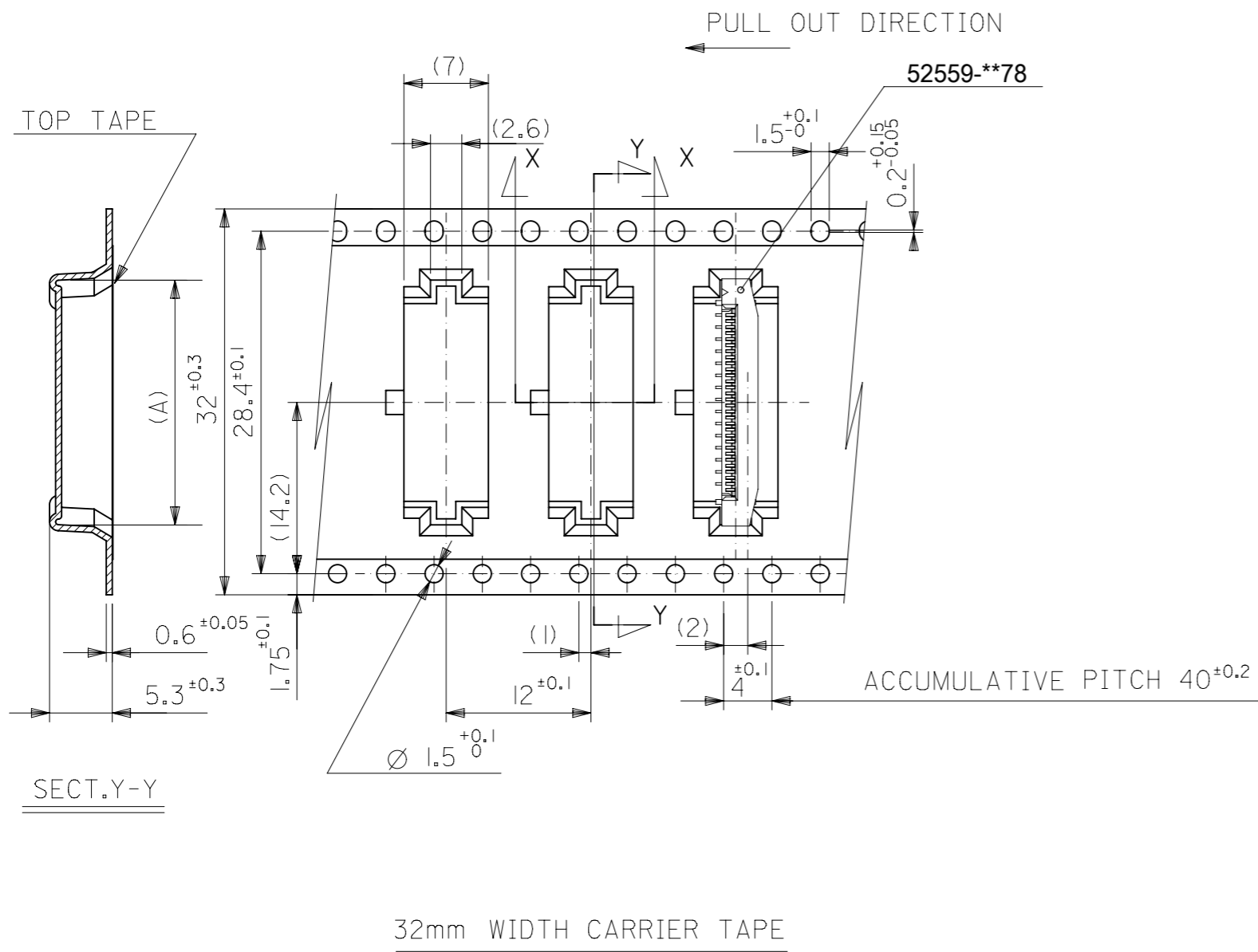
24mm WIDTH CARRIER TAPE

24	C	B	17.3	52559-2455	24
			16.3	52559-2255	22
			15.3	52559-2055	20
			14.3	52559-1855	18
			13.3	52559-1655	16
			12.8	52559-1555	15
			12.3	52559-1455	14
			11.3	52559-1255	12
CARRIER TAPE WIDTH			(A)	MATERIAL NO.	CIRCUIT NO.
			52559-**55	MODEL NO.	

GENERAL TOLERANCES (UNLESS SPECIFIED)	
UNDER 10	±0.2
OVER 10 UNDER 30	±0.25
OVER 30	±0.3
ANGULAR	±3°

THIS DRAWING CONTAINS INFORMATION THAT IS PROPRIETARY TO MOLEX ELECTRONIC TECHNOLOGIES, LLC AND SHOULD NOT BE USED WITHOUT WRITTEN PERMISSION	
DIMENSION UNITS	SCALE
mm	NTS
CURRENT REV DESC:	
EC NO: 620398	
DRWN: AKUMAR19	2018/12/24
CHK'D: GGA	2019/10/18
APPR: GGA	2019/10/18
INITIAL REVISION:	
DRWN: Y.AOYAGI	2008/09/01
APPR: N.UKITA	2008/09/01
ANGULAR TOL	± °
DRAFT WHERE APPLICABLE MUST REMAIN WITHIN DIMENSIONS	THIRD ANGLE PROJECTION
	DRAWING
	SERIES
	MATERIAL NUMBER
	CUSTOMER
	SHEET NUMBER

molex			
EMBOSSD TAPE PACKAGE FOR 52559-**78			
PRODUCT CUSTOMER DRAWING			
DOCUMENT NUMBER	DOC TYPE	DOC PART	REVISION
SD-52559-055	PSD	001	C
SEE TABLE	GENERAL MARKET	2 OF 4	

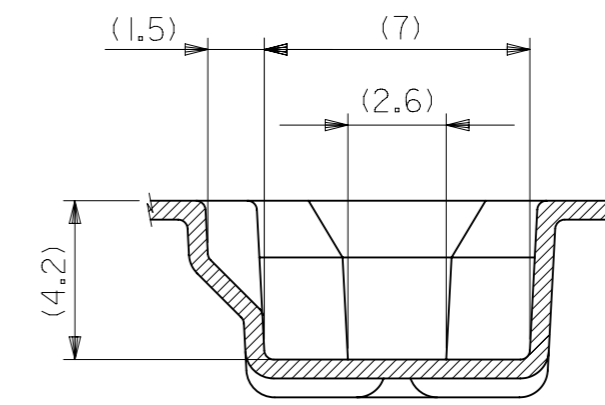
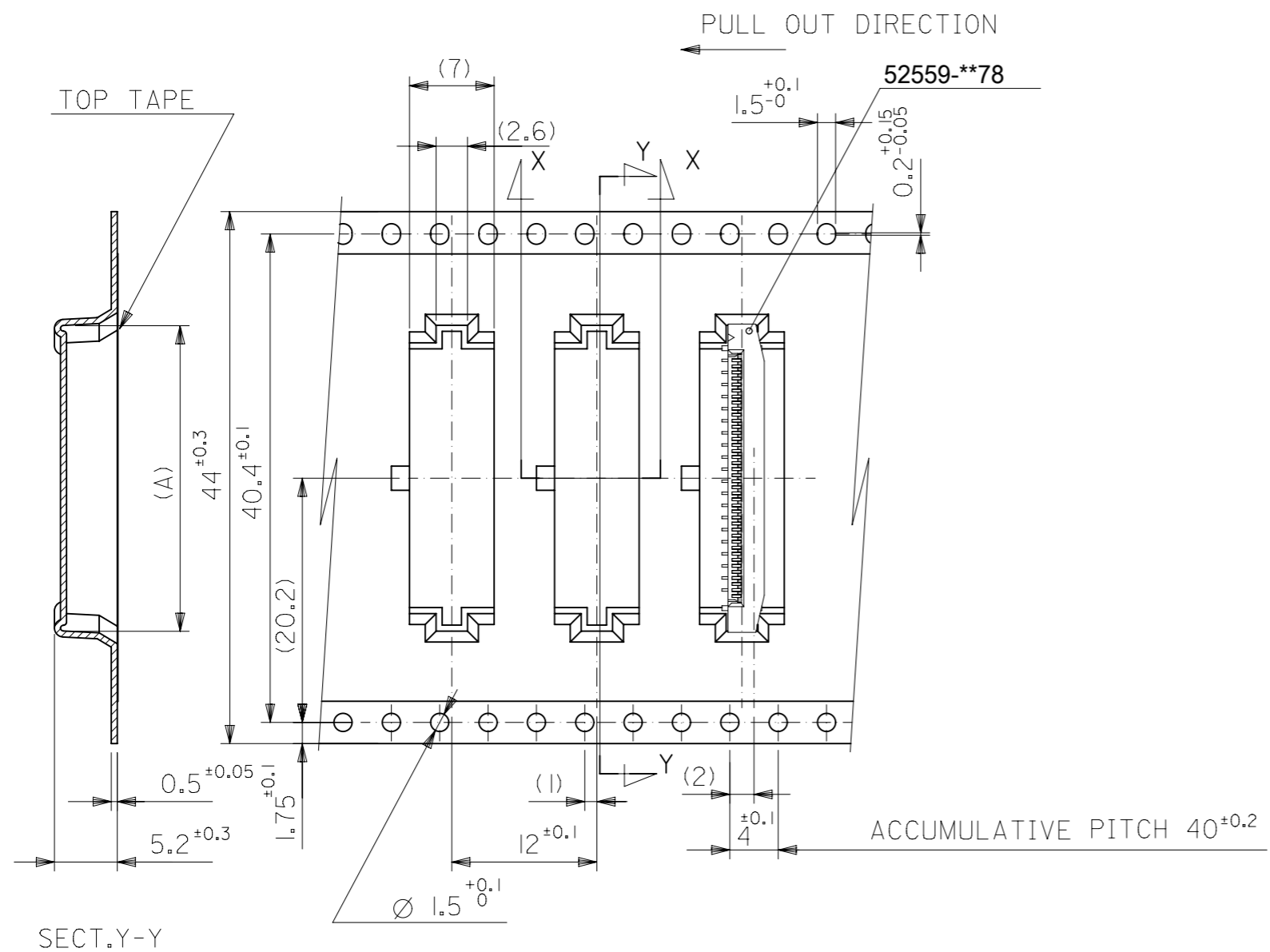


32	37.4	33.4	21.3	52559-3255	32
CARRIER TAPE WIDTH	C	B	(A)	MATERIAL NO.	CIRCUIT NO.
52559-**55				MODEL NO.	

GENERAL TOLERANCES (UNLESS SPECIFIED)	
UNDER 10	±0.2
OVER 10 UNDER 30	±0.25
OVER 30	±0.3
ANGULAR	±3°

THIS DRAWING CONTAINS INFORMATION THAT IS PROPRIETARY TO MOLEX ELECTRONIC TECHNOLOGIES, LLC AND SHOULD NOT BE USED WITHOUT WRITTEN PERMISSION	
DIMENSION UNITS	SCALE
mm	NTS
GENERAL TOLERANCES (UNLESS SPECIFIED)	
4 PLACES ±	±
3 PLACES ±	±
2 PLACES ±	±
1 PLACE ±	±
0 PLACES ±	±
ANGULAR TOL ± °	
DRAFT WHERE APPLICABLE MUST REMAIN WITHIN DIMENSIONS	

CURRENT REV DESC:			
molex			
EMBOSSD TAPE PACKAGE FOR 52559-**78			
PRODUCT CUSTOMER DRAWING			
EC NO: 620398	DRWN: AKUMAR19	2018/12/24	
CHK'D: GGA		2019/10/18	
APPR: GGA		2019/10/18	
INITIAL REVISION:		DOCUMENT NUMBER	DOC TYPE
DRWN: Y.AOYAGI	2008/09/01	SD-52559-055	PSD
APPR: N.UKITA	2008/09/01	DOC PART	REVISION
		001	C
MATERIAL NUMBER	CUSTOMER	SHEET NUMBER	
SEE TABLE	GENERAL MARKET	3 OF 4	



44mm WIDTH CARRIER TAPE

44	49.4	45.4	25.3	52559-4055	40
			23.3	52559-3655	36
CARRIER TAPE WIDTH	C	B	(A)	MATERIAL NO.	CIRCUIT NO.
				52559-**55	MODEL NO.

GENERAL TOLERANCES (UNLESS SPECIFIED)	
UNDER 10	±0.2
OVER 10 UNDER 30	±0.25
OVER 30	±0.3
ANGULAR	±3°

THIS DRAWING CONTAINS INFORMATION THAT IS PROPRIETARY TO MOLEX ELECTRONIC TECHNOLOGIES, LLC AND SHOULD NOT BE USED WITHOUT WRITTEN PERMISSION

DIMENSION UNITS		SCALE		CURRENT REV DESC:	
mm	NTS				
GENERAL TOLERANCES (UNLESS SPECIFIED)		EC NO: 620398		molex	
4 PLACES ±	±	DRWN: AKUMAR19	2018/12/24	EMBOSSSED TAPE PACKAGE FOR 52559-**78	
3 PLACES ±	±	CHK'D: GGA	2019/10/18	PRODUCT CUSTOMER DRAWING	
2 PLACES ±	±	APPR: GGA	2019/10/18	DOCUMENT NUMBER	
1 PLACE ±	±	INITIAL REVISION:		SD-52559-055	
0 PLACES ±	±	DRWN: Y.AOYAGI	2008/09/01	DOC TYPE	DOC PART
ANGULAR TOL ± °	± °	APPR: N.UKITA	2008/09/01	PSD	001
DRAFT WHERE APPLICABLE MUST REMAIN WITHIN DIMENSIONS		THIRD ANGLE PROJECTION	DRAWING	SERIES	MATERIAL NUMBER
			A3-SIZE	52559	SEE TABLE
		CUSTOMER	GENERAL MARKET		SHEET NUMBER
				4 OF 4	