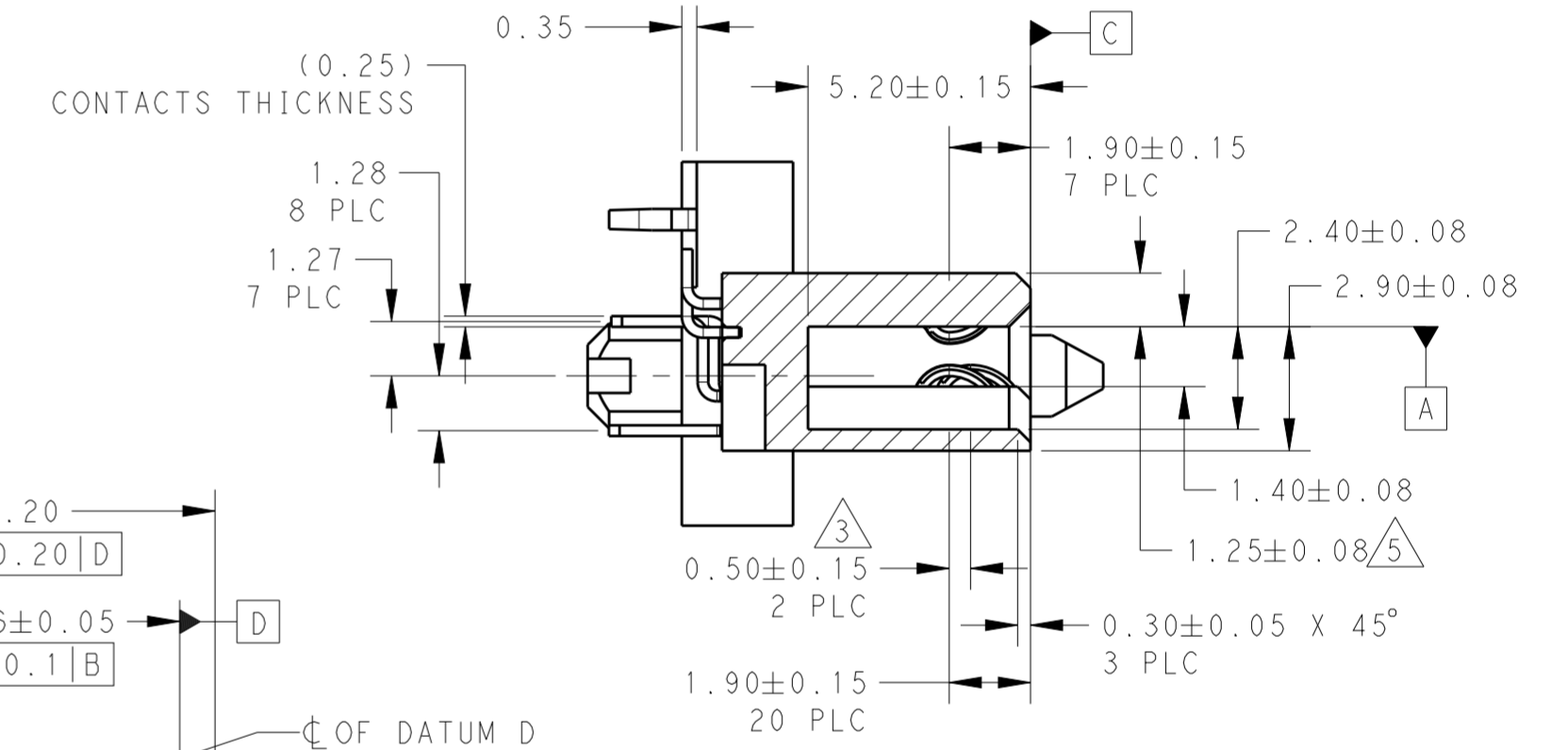
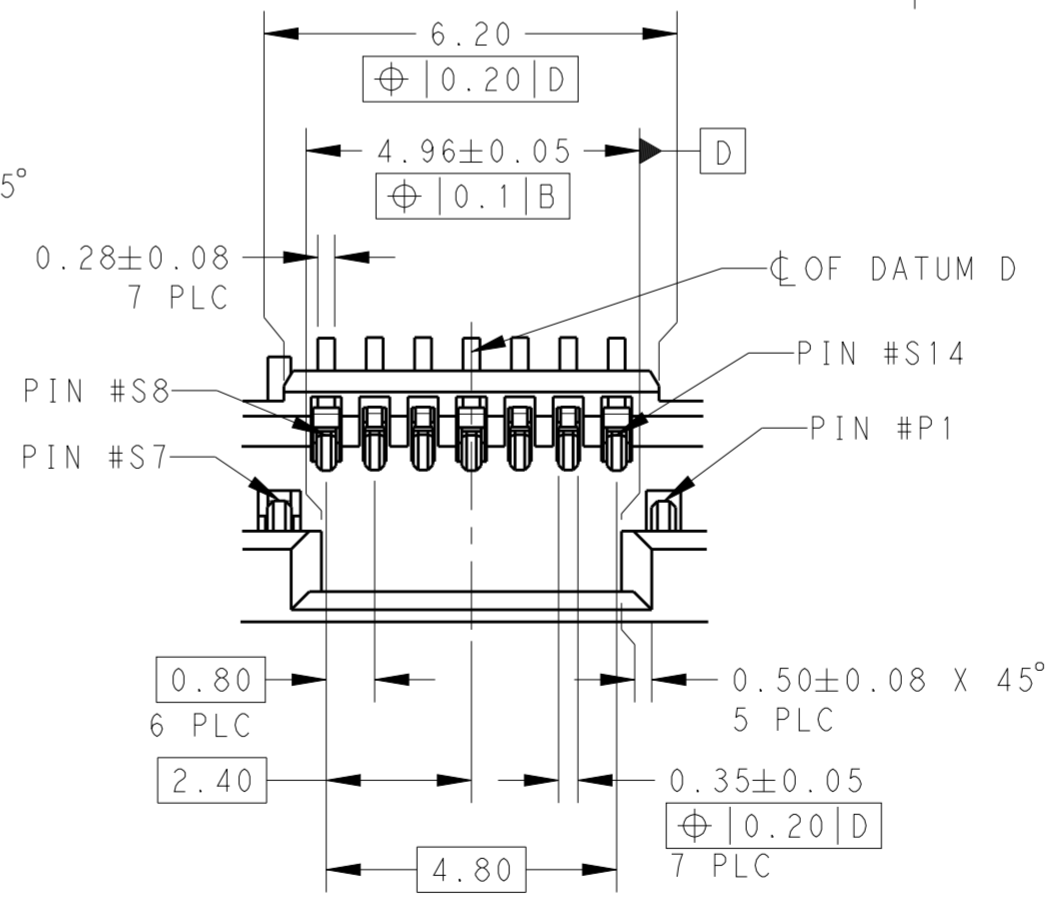
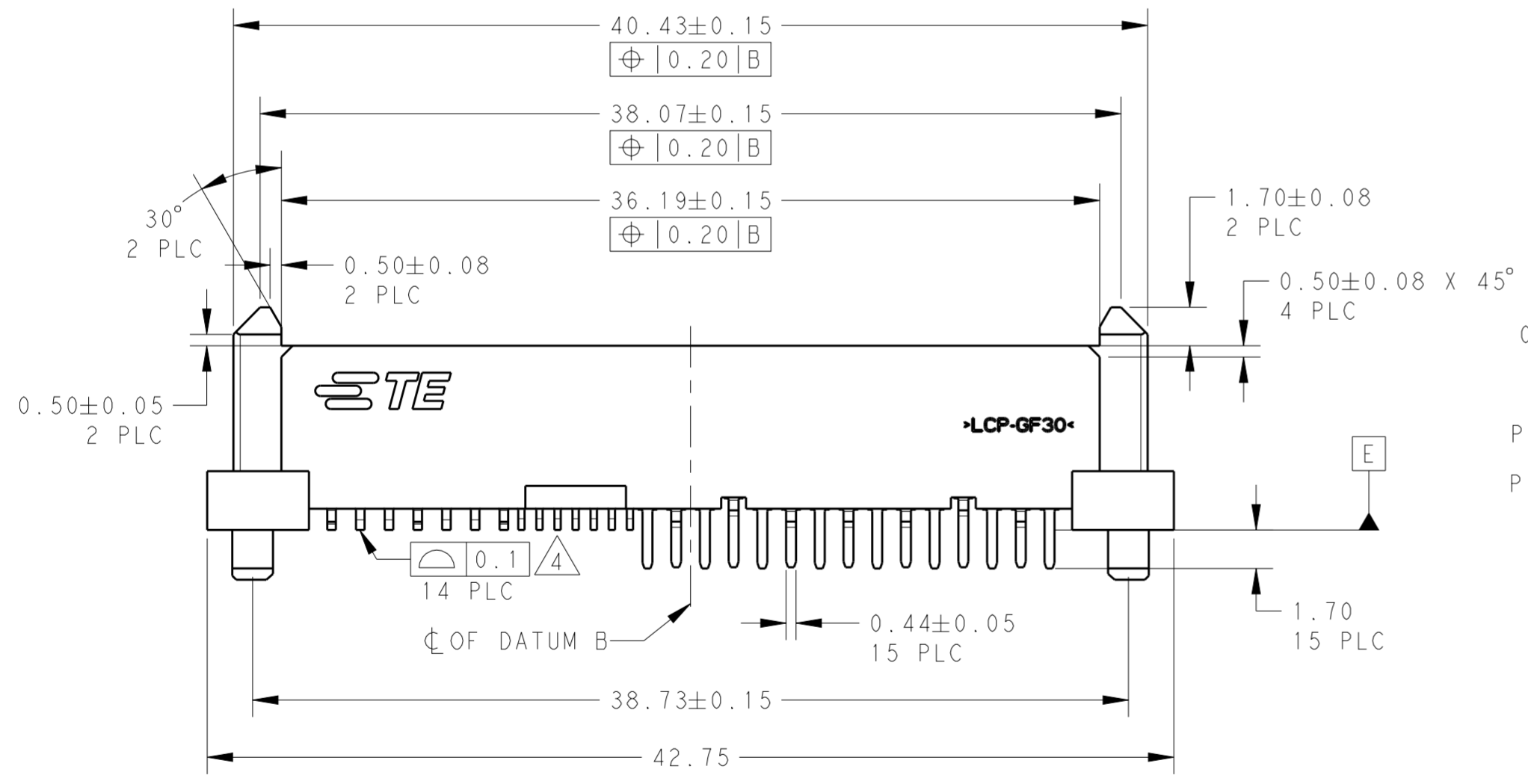
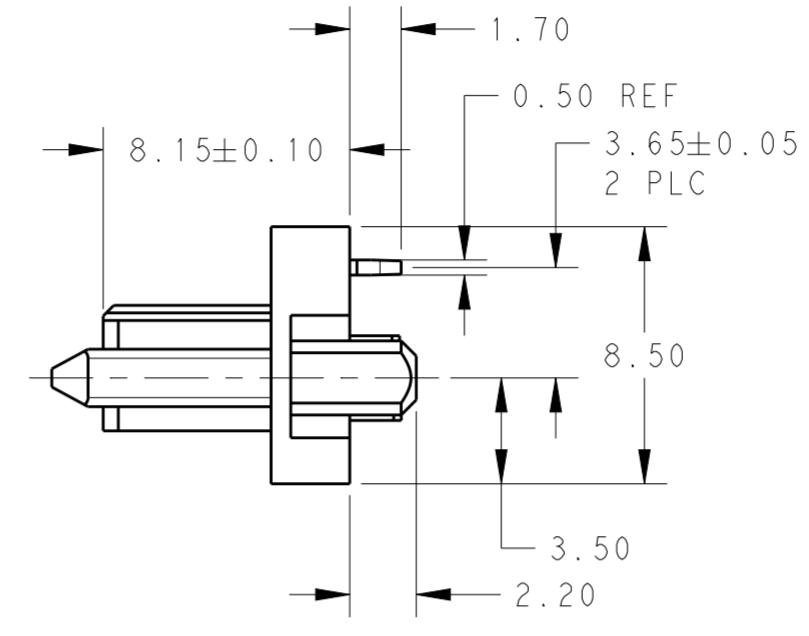
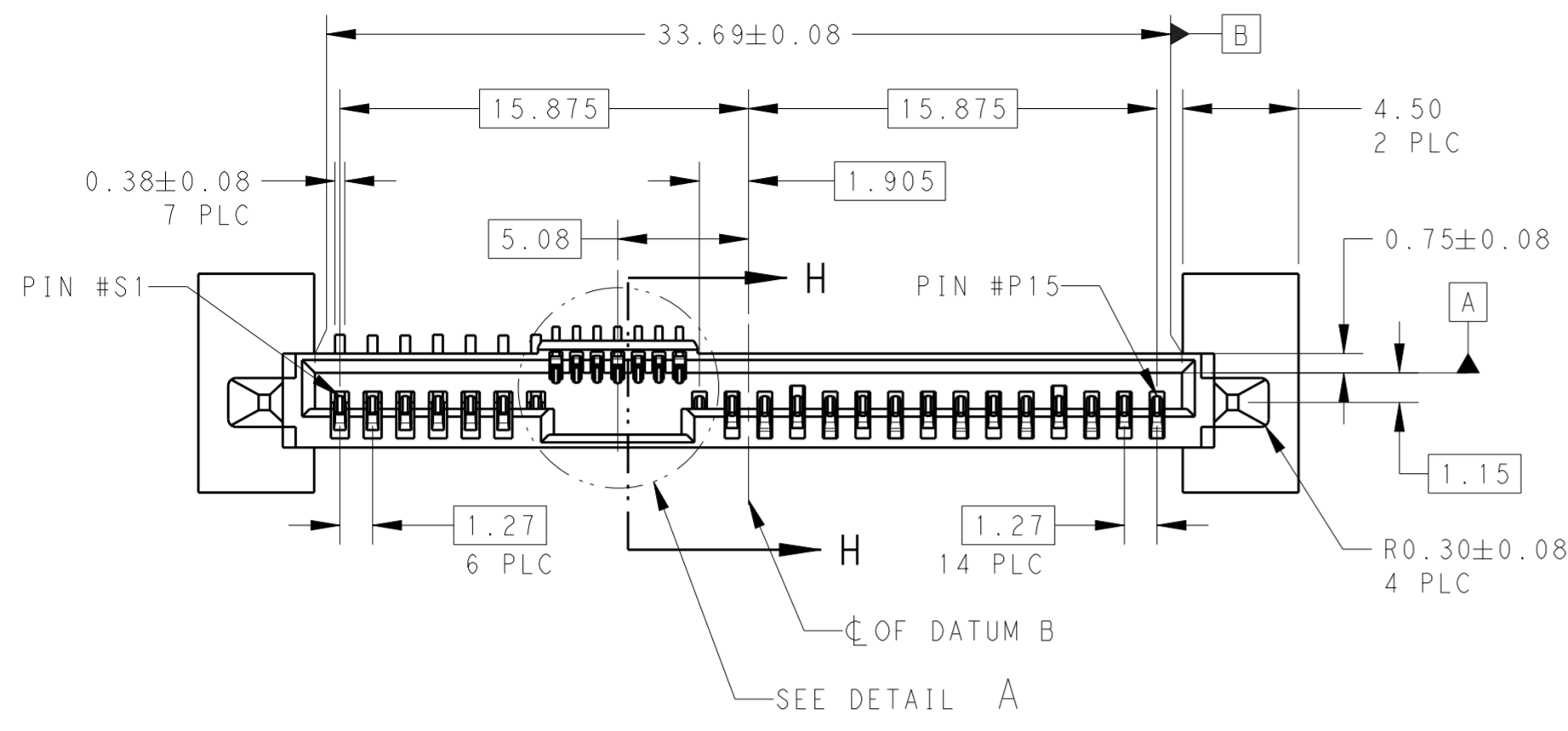


THIS DRAWING IS UNPUBLISHED. RELEASED FOR PUBLICATION
 © COPYRIGHT ALL RIGHTS RESERVED.

LOC		DIST		REVISIONS			
P	LTR	DESCRIPTION	DATE	DWN	APVD		
	A	RELEASED FOR PRODUCTION	07MAR2016	TX	SH		
			10OCT2013	TX	AC		

NOTES:

- 1 MATERIAL:
HOUSING: HIGH TEMP THERMOPLASTIC, UL94V-0,
COLOR: BLACK
CONTACT: COPPER ALLOY
BOARDLOCK: COPPER ALLOY
- 2 FINISH:
CONTACT AREA: MIN 0.76um GOLD PLATING
SOLDERTAIL: MIN 2.54um MATTE TIN PLATING
UNDERPLATE: MIN 1.27um NICKEL PLATING
- 3 PIN #P4 AND PIN #P12 ONLY
- 4 SOLDERTAIL TO BE WITHIN 0.05MAX ABOVE AND 0.10MAX BELOW DATUM E
- 5 1.33 MAX MEASURED AT DATUM C



DETAIL A
SCALE 8:1

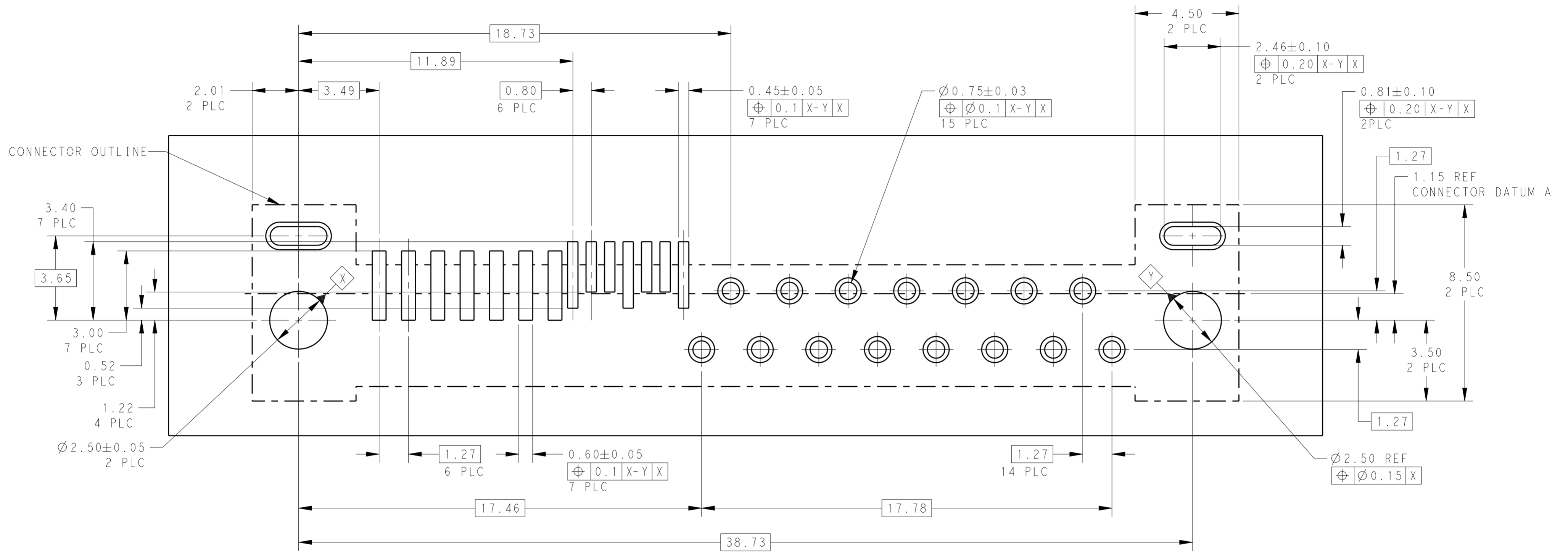
SECTION H-H
SCALE 6:1

TAPE & REEL WITH PICKUP CAP	2170506-1
PACKAGING	PART NUMBER

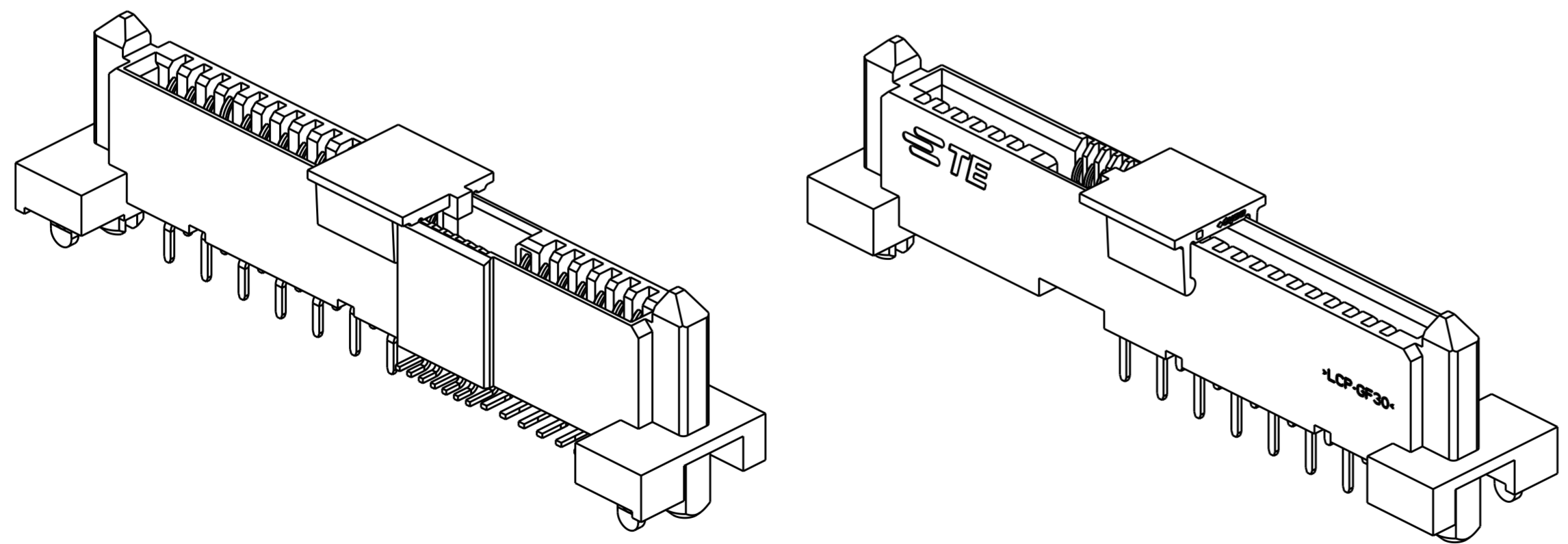
THIS DRAWING IS A CONTROLLED DOCUMENT.		DWN	TIM XUE	13MAR2013	TE Connectivity NAME SAS-3 (12Gbps)SFF-8680 RECEPTACLE DUAL PORT, WITH METAL RETENTION BLADE HYBRID (TH/SMT) FOOTPRINT, 15P+7P+7P						
DIMENSIONS:		CHK	ALEX CAI	13MAR2013							
mm		APVD	ALEX CAI	13MAR2013							
TOLERANCES UNLESS OTHERWISE SPECIFIED:		PRODUCT SPEC	108-51109	APPLICATION SPEC							
0 PLC ±0.2		114-60017	WEIGHT	-	SIZE	A200779	CAGE CODE	C-2170506	DRAWING NO	RESTRICTED TO	
1 PLC ±0.2		CUSTOMER DRAWING		SCALE	4:1	SHEET	1	OF	2	REV	A
2 PLC ±0.2											
3 PLC ±0.2											
4 PLC ±0.2											
ANGLES ±3°											
FINISH											

THIS DRAWING IS UNPUBLISHED. RELEASED FOR PUBLICATION
 © COPYRIGHT ALL RIGHTS RESERVED.

LOC	DIST	REVISIONS			
P	LTR	DESCRIPTION	DATE	DWN	APVD
-	-	SEE SHEET 1	-	-	-



RECOMMENDED RECEPTACLE BOARD LAYOUT
 SCALE 8:1



P/N: 2170506-1 WITH CAP AS SHOWN

THIS DRAWING IS A CONTROLLED DOCUMENT.		DWN TIM XUE 13MAR2013	 TE Connectivity	NAME SAS-3 (12Gbps)SFF-8680 RECEPTACLE DUAL PORT, WITH METAL RETENTION BLADE HYBRID (TH/SMT) FOOTPRINT, 15P+7P+7P		
DIMENSIONS: mm		CHK ALEX CAI 13MAR2013		PRODUCT SPEC 108-51109	SIZE A2	CAGE CODE 00779
TOLERANCES UNLESS OTHERWISE SPECIFIED: 0 PLC ±0.2 1 PLC ±0.2 2 PLC ±0.2 3 PLC ±0.2 4 PLC ±0.2 ANGLES ±3° FINISH		APVD ALEX CAI 13MAR2013		APPLICATION SPEC 114-60017	DRAWING NO C-2170506	RESTRICTED TO -
MATERIAL		1		WEIGHT -	SCALE 2:1	SHEET 2 OF 2
CUSTOMER DRAWING			REV A			