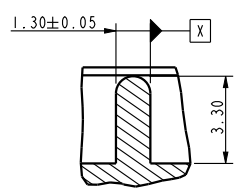
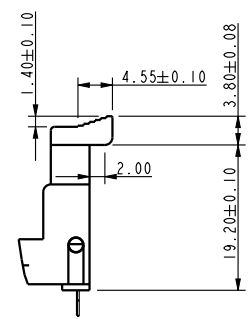
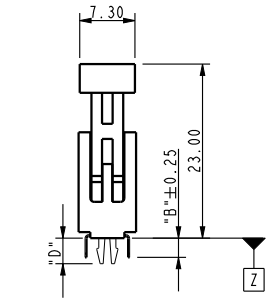
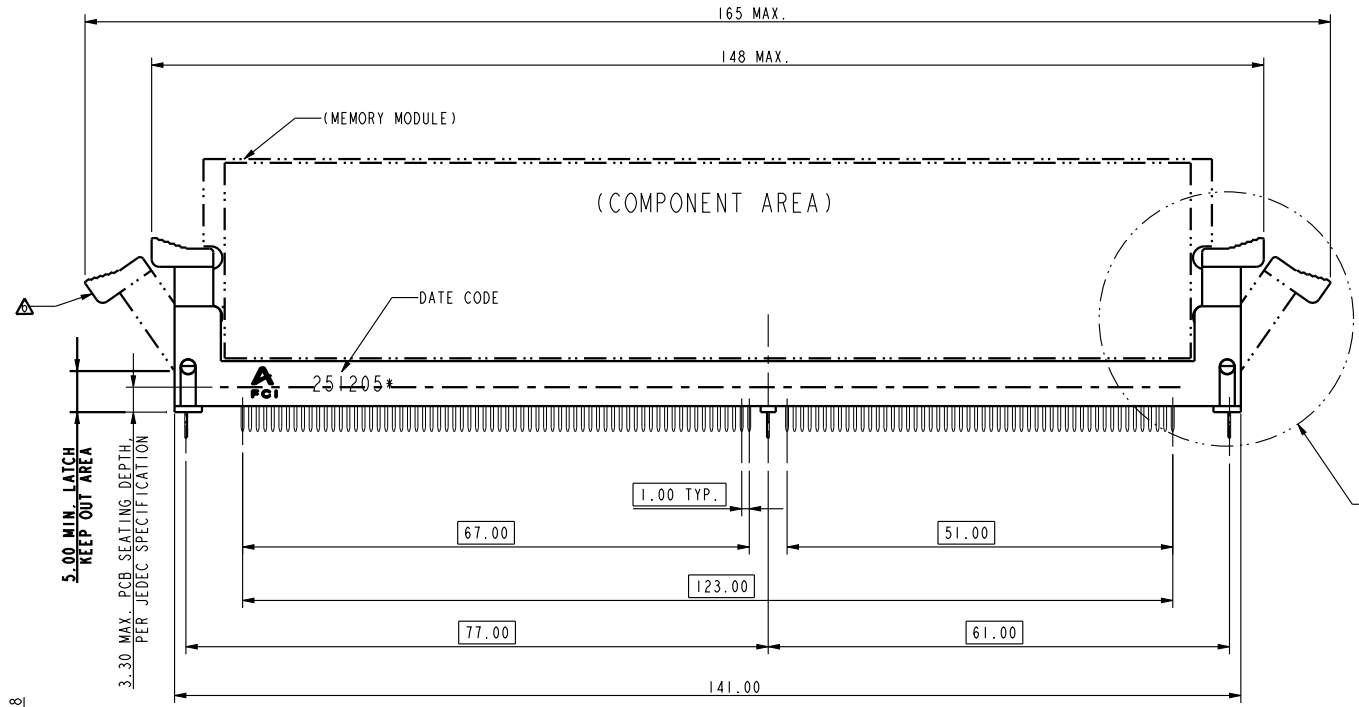
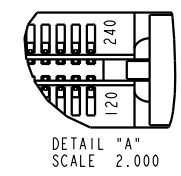
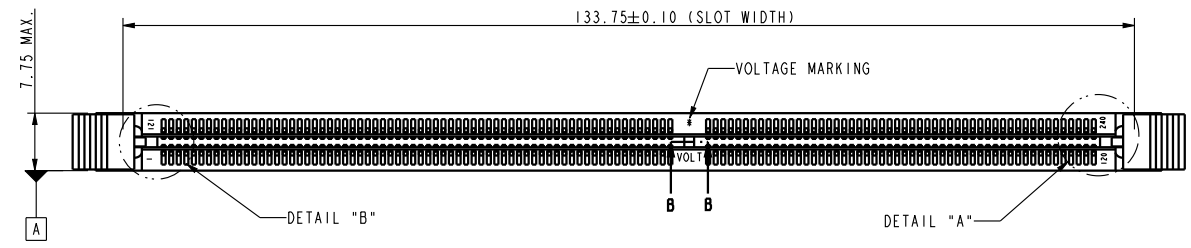
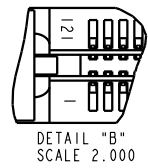


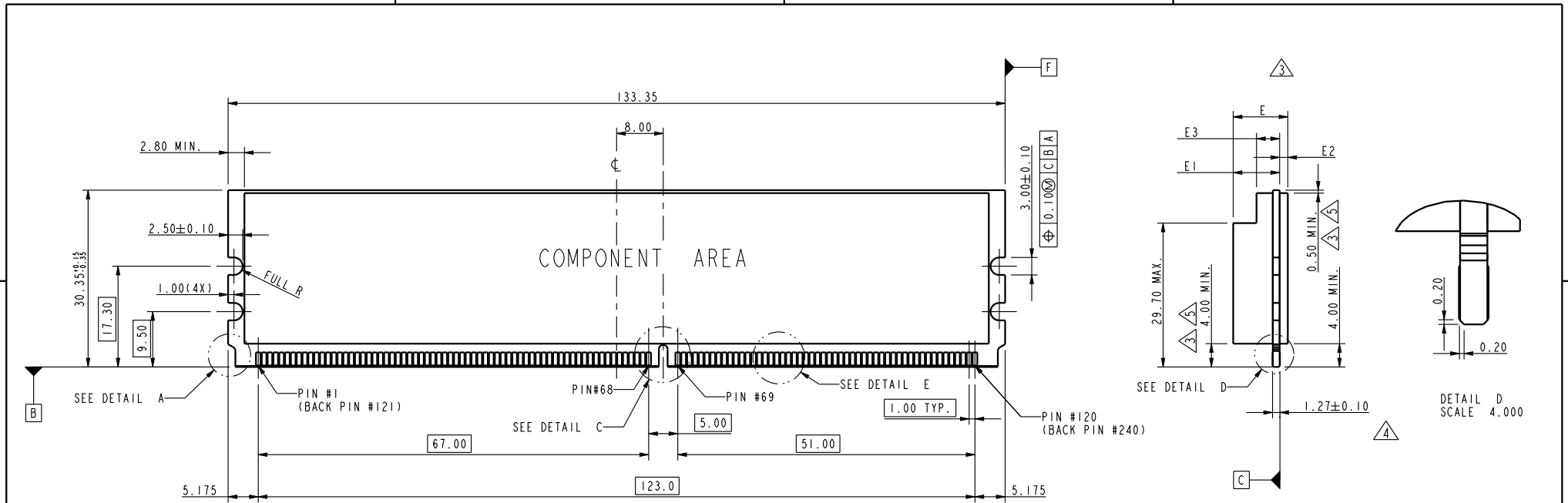
**Amphenol  
FCi**

© 2016 AFCI

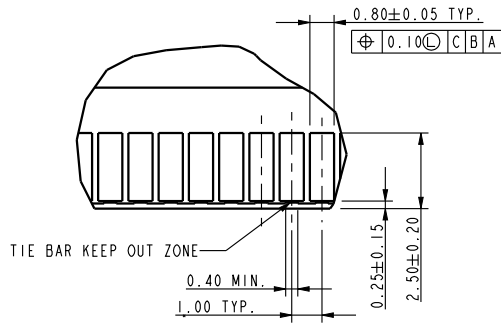


tolerances unless otherwise specified		
linear	.X	±0.38
	.XX	±0.25
	.XXX	±0.13
angles	x°	±2°

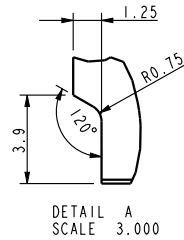
dr	Rick Bian	2010/07/08	projection	MM	size	A4	scale	0.500	
eng	Jeny Ren	2018/01/26		←→	ecn no	ELX-DG-28708-1			
chr	-	-			rel level	Released			
appr	Nickor Zuo	2018/01/29	product family			rev		R	
Amphenol FCI		title			DDR11 240P. FBDIMM		dwg no		10037402
cat. no.		Product - Customer Drw			sheet 1 of 4				



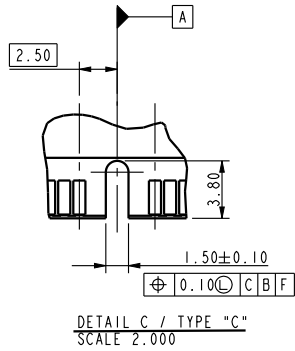
SCALE 1.000  
RECOMMENDED MODULE LAYOUT ( PER JEDEC MO-256 )



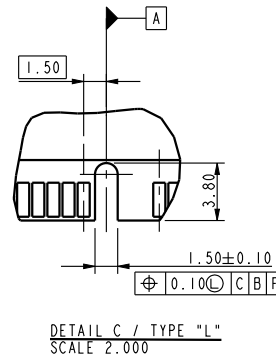
DETAIL E  
SCALE 4.000



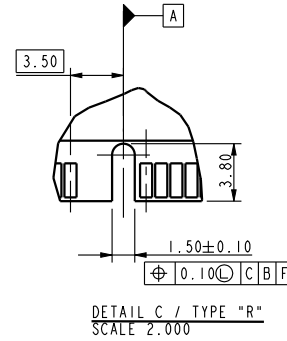
DETAIL A  
SCALE 3.000



DETAIL C / TYPE "C"  
SCALE 2.000



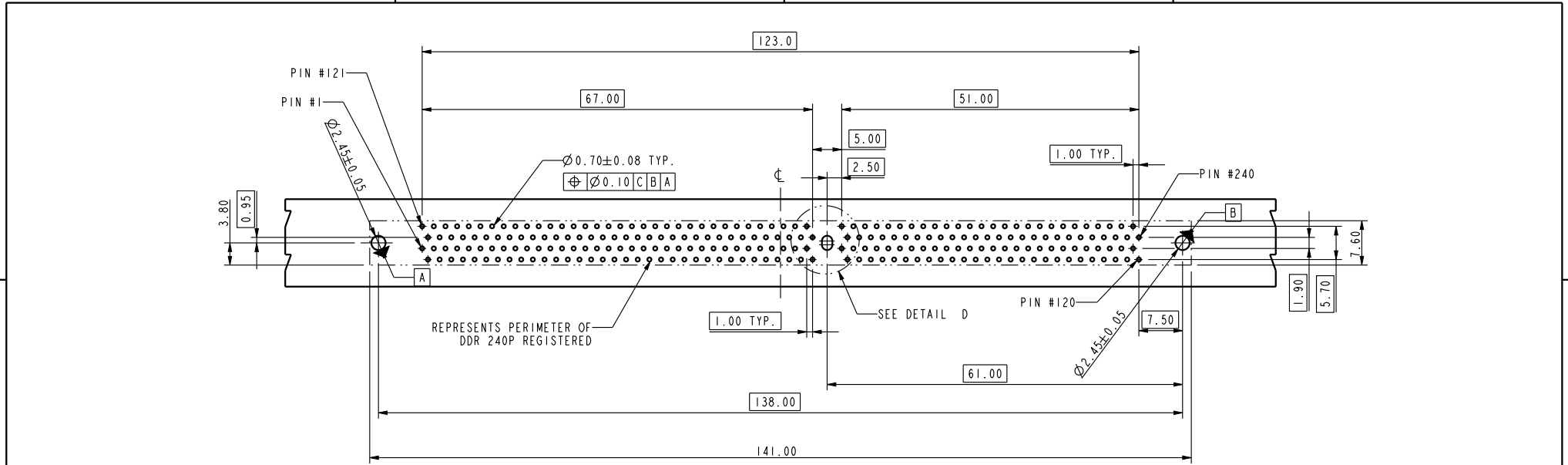
DETAIL C / TYPE "L"  
SCALE 2.000



DETAIL C / TYPE "R"  
SCALE 2.000

tolerances unless otherwise specified		
linear	.X	±0.38
	.XX	±0.15
	.XXX	±0.13
angles	x°	±2°

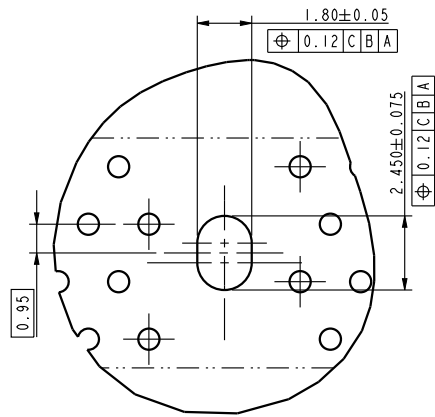
dr	Rick Bian	2010/07/08	projection 	MM ←→	size	A4	scale	0.500
eng	Jeny Ren	2018/01/26			ecn no	ELX-DG-28708-1		
chr	-	-			rel level	Released		
appr	Nickor Zuo	2018/01/29	product family		rev		10037402	
Amphenol FCi		title			DDR11 240P. FBDIMM		R	
cat. no.		Product - Customer Drw			sheet 2 of 4			



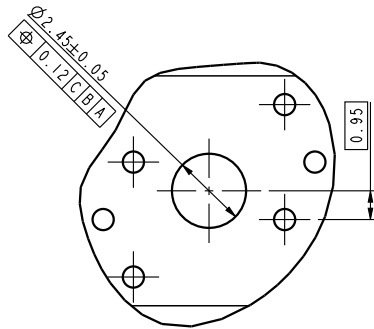
RECOMMENDED CIRCUIT BOARD HOLE LAYOUT

SCALE 1.000

DETAIL D  
SCALE 4.000



OPTION 2  
CENTER SLOT



OPTION 1  
CENTER ROUND HOLE

TYPE R	X.X VOTAGLE	6.80	1.40	2.80	8.20	6.80	3.00	4.40	9.80
TYPE L	2.5 VOLTAGE	6.80	1.40	2.80	8.20	6.80	3.00	4.40	9.80
TYPE C	1.8 VOLTAGE	6.80	1.40	2.80	8.20	6.80	3.00	4.40	9.80
SUB KEY POS. #1	DESCRIPTION	TYPE 1				TYPE 2			
		DIM. E1 MAX.	DIM. E2 MAX.	DIM. E3 MAX.	DIM. E MAX.	DIM. E1 MAX.	DIM. E2 MAX.	DIM. E3 MAX.	DIM. E MAX.

dr	Rick Bian	2010/07/08	projection 	MM ←→	size	A4	scale	0.500	
eng	Jeny Ren	2018/01/26			ecn no	ELX-DG-28708-1			
chr	-	-			rel level	Released			
appr	Nickor Zuo	2018/01/29	product family			rev	R		
Amphenol FCI		title			DDR II 240P. FBDIMM		dwg no		10037402
cat. no.		*			Product - Customer Drw		sheet 3 of 4		

10037402-□ □ □ □ □

**STYLE : MECHANICAL KEYING**

- 1 : 1.8 VOLT. W/TYPE "C"
- 2 : 2.5 VOLT. W/TYPE "L"
- 3 : X.X VOLT. W/TYPE "R"

**METAL CLIP  
(WITH NI 1.27 um MIN. PLATING)**

- 1 : WITH METAL CLIP + DIM."D"=3.05
- 2 : WITH METAL CLIP + DIM."D"=3.56
- 3 : WITH METAL CLIP + DIM."D"=3.43

**TAIL LENGTH**

CODE	DIM. "B"	PCB THICKNESS
0	2.54	1.47 mm (0.058")
1	2.67	1.60 mm (0.063")
2	3.18	2.36 mm (0.093")
3	4.00	3.18 mm (0.125")

**PLATING**

CODE	CONTACT	SOLDERTAIL	UNDERPLATE
2	15 u"(0.38um) MIN. GOLD	100u"(2.54um) MIN. TIN/LEAD	50u"(1.27um) MIN. NICKEL OVERALL
3	30u"(0.76um) MIN. GOLD		
4	3u"(0.076um) MIN. GOLD	100u"(2.54um) MIN. 100% TIN	50u"(1.27um) MIN. NICKEL OVERALL
7LF	15u"(0.38um) MIN. GOLD		
8LF	30u"(0.76um) MIN. GOLD	100u"(2.54um) MIN. 100% TIN	90u"(2.29um) MIN. NICKEL OVERALL
9LF	3u"(0.076um) MIN. GOLD		
2N	15 u"(0.38um) MIN. GOLD	100u"(2.54um) MIN. TIN/LEAD	90u"(2.29um) MIN. NICKEL OVERALL
3N	30 u"(0.76um) MIN. GOLD		
4N	3 u"(0.076um) MIN. GOLD	100u"(2.54um) MIN. 100% TIN	90u"(2.29um) MIN. NICKEL OVERALL
7NLF	15 u"(0.38um) MIN. GOLD		
8NLF	30 u"(0.76um) MIN. GOLD	100u"(2.54um) MIN. 100% TIN	90u"(2.29um) MIN. NICKEL OVERALL
9NLF	3 u"(0.076um) MIN. GOLD		

**COLOR OF HOUSING AND EJECTOR**

- 0 : BLACK HOUSING + IVORY EJECTOR
- 1 : BLUE HOUSING + IVORY EJECTOR
- 2 : BLACK HOUSING + BLACK EJECTOR
- 3 : IVORY HOUSING + IVORY EJECTOR

**NOTE:**

1. MATERIAL:  
HOUSING: HIGH PERFORMANCE RESINS, GLASS FILLED UL94V-0 RATED.  
EJECTOR: HIGH PERFORMANCE RESINS, GLASS FILLED UL 94V-0 RATED.  
TERMINAL : COPPER ALLOY.  
METAL CLIP: COPPER ALLOY.
2. PRODUCT SPECIFICATION: GS-12-300.  
DIMENSIONS APPLICABLE WHEN COMPONENTS MOUNTED ON ONE OR BOTH SIDES.  
CARD THICKNESS APPLIES ACROSS TABS AND INCLUDES PLATING AND/OR  
REALIZATION STRAIGHTNESS CALLOUT APPLIES TO ZONE DEFINED BY THE 4.00 CONTACT  
AREA DIMENSION FOR THE ENTIRE LENGTH OF 133.35.  
BOARD OF COMPONENT AREA.
3. LATCH DESIGN INCLUDES COMPLEMENTARY FEATURE TO ACCOMMODATE MODULE  
END NOTCHES AS DEFINED IN DETAIL A OF P.2 AND AS SPECIFIED IN MO-256.
7. THIS PRODUCT MEETS EUROPEAN UNION DIRECTIVES AND OTHER COUNTRY REGULATIONS  
AS DESCRIBED IN GS-22-008.
8. THE HOUSING WILL WITHSTAND EXPOSURE TO 260°C PEAK TEMP. FOR 10 SECONDS IN A WAVE  
SOLDER APPLICATION
9. 10037402-XXXXX(X)LF SERIES ARE FOR LEAD-FREE OPTIONS.
10. DATE CODE:XXXXXX\* SHOWS DAY/MONTH/YEAR."\*" MEANS PRODUCTION LINE CODE.



dr	Rick Bian	2010/07/08	projection 	MM 	size	A4	scale	0.500
eng	Jeny Ren	2018/01/26			ecn no	ELX-DG-28708-1		
chr	-	-			rel level	Released		
appr	Nickor Zuo	2018/01/29	product family		rev	R		
Amphenol FCi		DDR11 240P. FBDIMM			dwg no	10037402		
cat. no.		Product - Customer Drw			sheet 4 of 4			